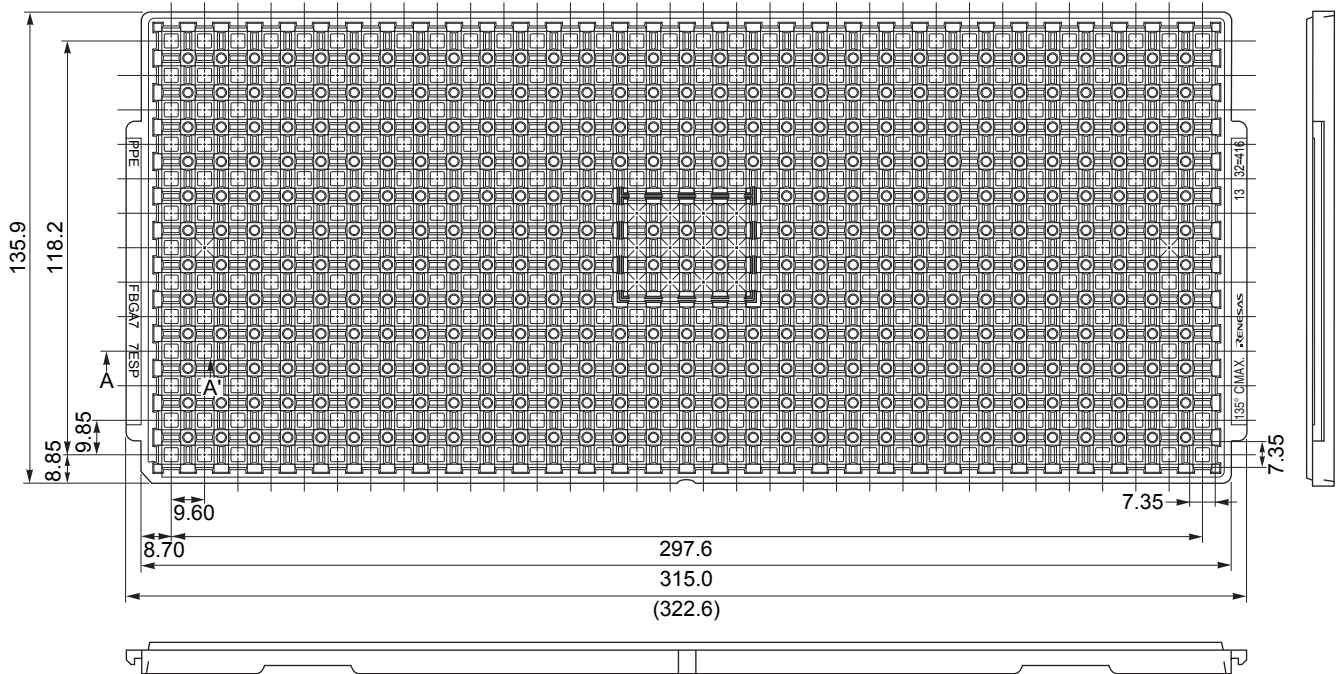
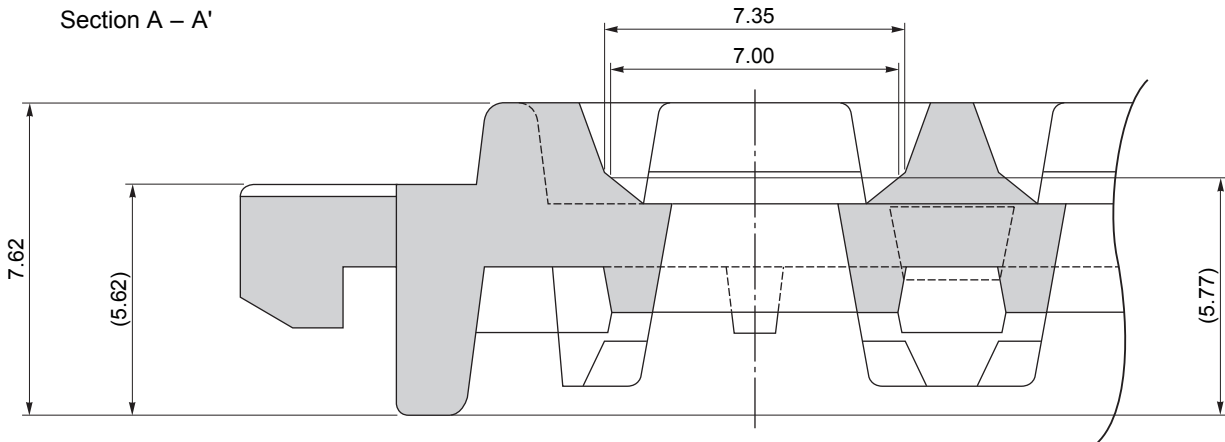


TRAY CONTAINER

UNIT : mm



Section A – A'



Applied Package	Quantity (pcs)
48-pin Plastic FBGA (7 7)	416 MAX.
109-pin Tape FBGA (7 7)	
129-pin Tape FBGA (7 7)	
144-pin Plastic FBGA (7 7)	
144-pin Tape FBGA (7 7)	
145-pin Plastic FBGA (7x7)	

Tray	FBGA 7 7 ESP
Material	Carbon PPE
Heat Proof Temp.	135°C MAX.
Surface Resistance	Less than $1 \times 10^{12} \Omega / \square$

The tolerance of tray's dimensions are based on JEDEC STANDARD.