

2000W @ 85V - 264V RMS
385 - 400V DC rated voltage

Sheet2
P03301-C0-002
Sheet3
P03301-C0-002

U, V, W (D1)

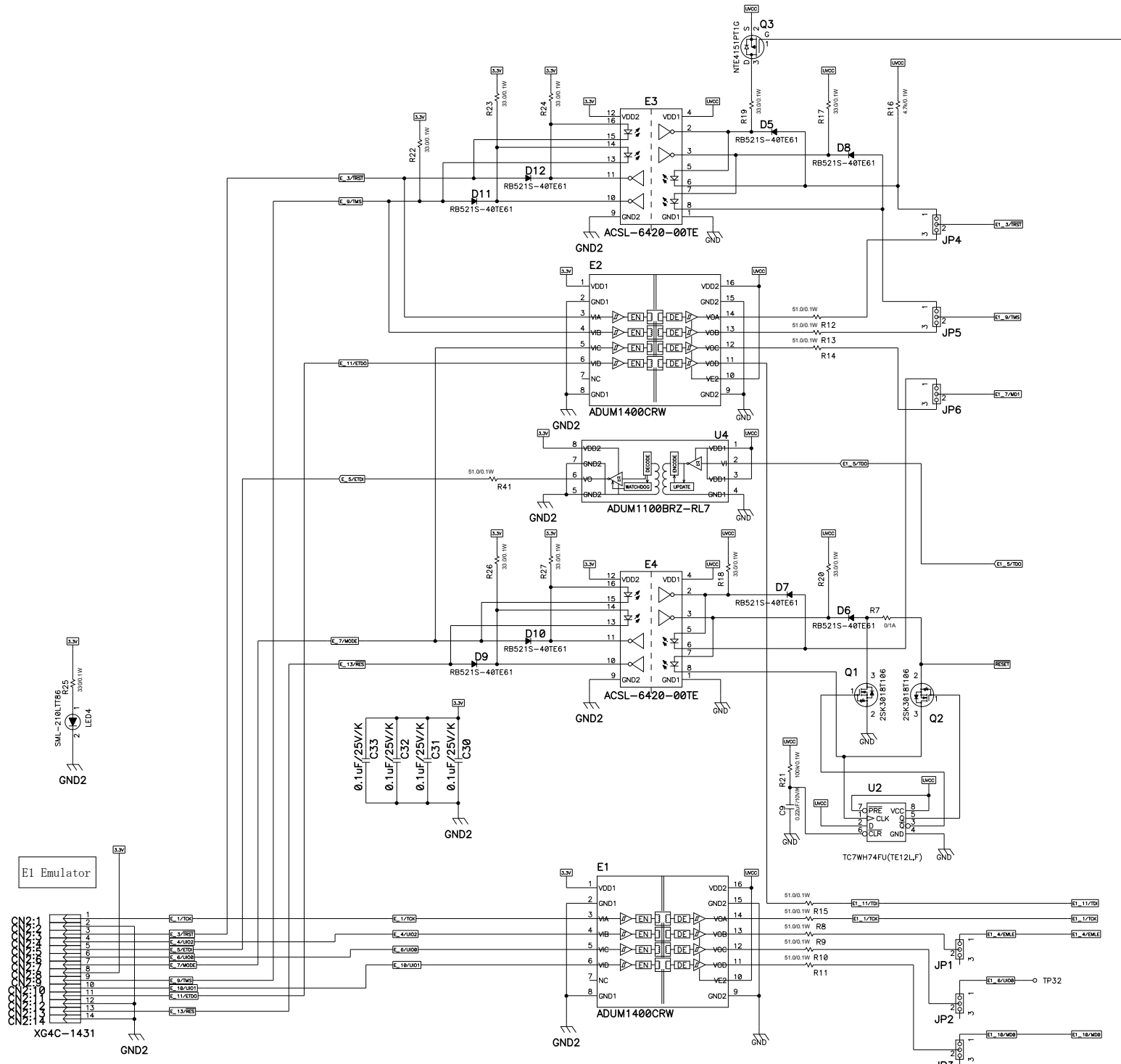
A, B, Z (D1)

Sheet2
P03301-C0-003

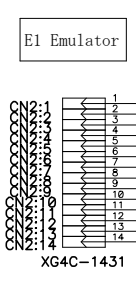
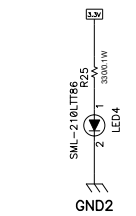
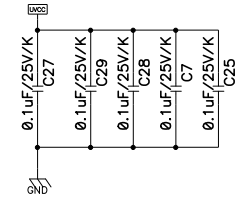
Sheet2
P03301-C0-004

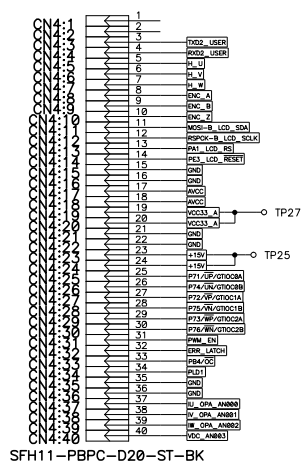
Sheet5
P03301-C0-001

Title REA RX62T HVINV with PFC Discreate IGBT+PFC		
Size A2	Number P03301-C0-002	Rev 0.06
Checked by Sakamoto	Approved by Sakamoto	
Date 2012/06/14	Drawn by MAEDA	
Filename P03301-C0-002_V006.sch	Sheet 1	of 3

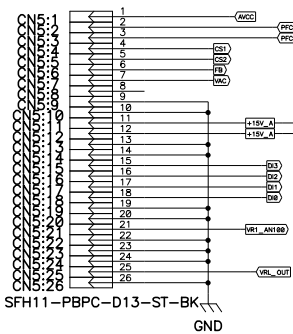
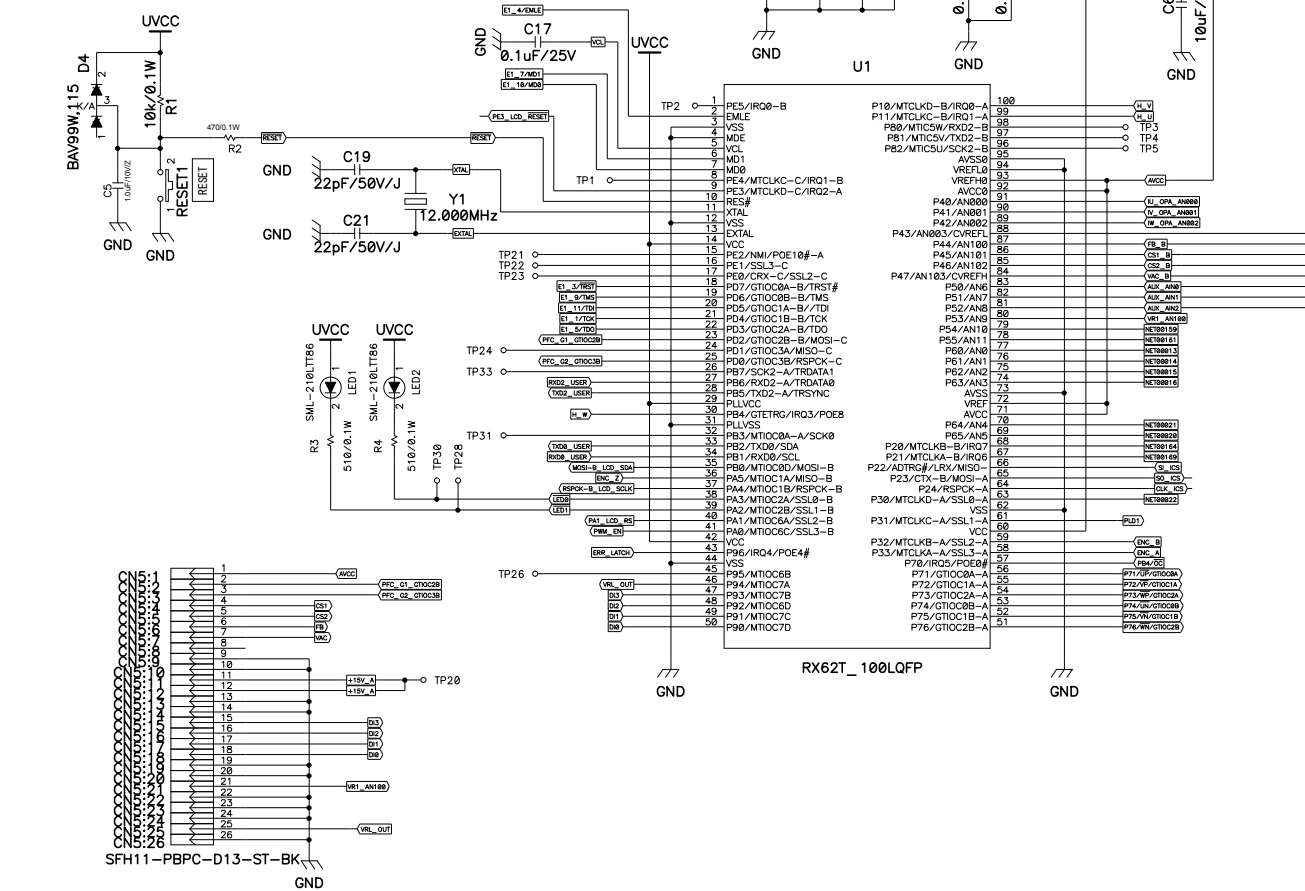


Title		
REA RX62T HVINV with PFC Discreate IGBT+PFC		
Size	Number	Rev
A2	P03301-C0-002	0.06
Checked by	Sakamoto	Approved by Sakamoto
Date	2012/06/14	Drawn by MAEDA
Filename	P03301-C0-002_V006.sch	Sheet 2 of 3

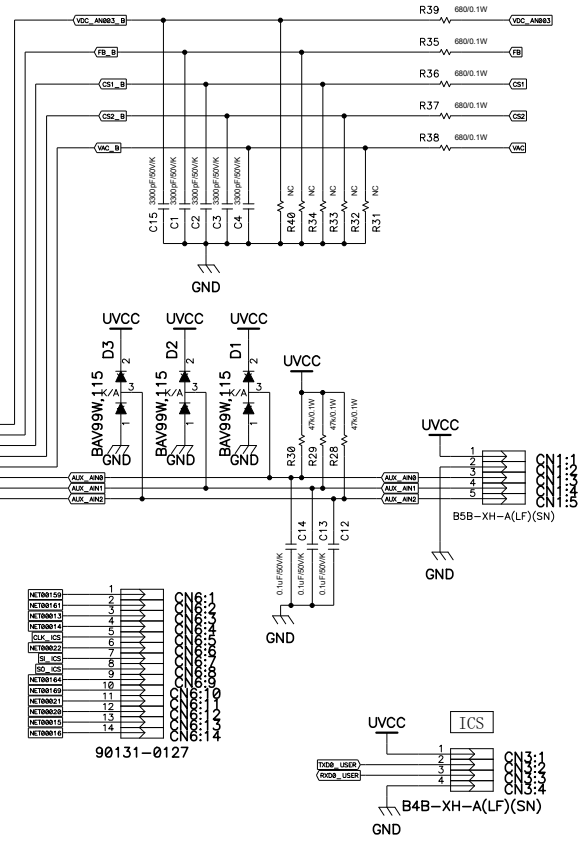
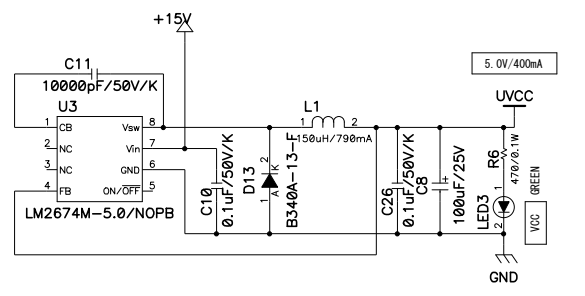




SFH11-PBPC-D20-ST-BK



SFH11-PBPC-D13-ST-BK



Title			REA RX62T HVINV with PFC Discreate IGBT+PFC		
Size	Number	Rev			
A2	P03301-C0-002	0.06			
Checked by	Sakamoto	Approved by	Sakamoto		
Date	2012/06/14	Drawn by	MAEDA		
Filename	P03301-C0-002_V006.sch	Sheet	3 of 3		