

RX Family

TSIP (Trusted Secure IP) Module Firmware Integration Technology

Introduction

This document explains the usage of the software drivers for the Trusted Secure IP (TSIP) and TSIP-Lite modules on RX Family microcontrollers (MCUs). These software drivers are referred to collectively as the TSIP driver.

The TSIP driver is provided as a Firmware Integration Technology (FIT) module. Refer to the webpage linked to below for an overview of FIT.

<https://www.renesas.com/jp/ja/products/software-tools/software-os-middleware-driver/software-package/fit.html>

The TSIP driver provides APIs for the cryptographic algorithms listed in Table 1 and Table 2 as well as for securely performing firmware updates.

Target Devices

TSIP: RX65N and RX651 groups, RX66N group, RX671 group, RX72M group, and RX72N group

TSIP-Lite: RX231 group, RX23W group, RX26T group, RX66T group, and RX72T group

For the specific product numbers of MCUs with TSIP functionality, refer to the user's manuals of the respective RX MCUs.

Table 1 TSIP Cryptographic Algorithms

Cipher Type		Algorithms
Asymmetric (public key) cryptography	Encryption/ decryption	RSAES-PKCS1-v1_5 (1024-/2048-/3072-/4096-bit)*1: RFC 8017
	Signature generation/ verification	RSASSA-PKCS1-v1_5 (1024-/2048-/3072-/4096-bit)*1: RFC 8017 ECDSA (ECC P-192/P-224/P-256/P-384): FIPS186-4
	Key generation	RSA (1024-/2048-bit) ECC P-192/P-224/P-256/P-384
Symmetric key cryptography	AES	AES (128-/256-bit) ECB/CBC/CTR: FIPS 197, SP800-38A
	DES	TDES*2 (56-/56x2-/56x3-bit) ECB/CBC: FIPS 46-3
	ARC4	ARC4*2 (2048-bit)
Hashing	SHA	SHA-1*2, SHA-256: FIPS 180-4
	MD5	MD5*2: RFC 1321
Authenticated encryption with associated data (AEAD)		GCM/CCM: FIPS 197, SP800-38C, SP800-38D
Message authentication		CMAC (AES): FIPS 197, SP800-38B GMAC: RFC 4543 HMAC (SHA): RFC 2104
Pseudo-random bit generation		SP 800-90A
Random number generation		Tested with SP 800-22.
TLS	TLS 1.2	TLS 1.2: RFC 5246 *3 Supported function: client function/server function Supported cipher suites (TLS 1.2): TLS_RSA_WITH_AES_128_CBC_SHA TLS_RSA_WITH_AES_256_CBC_SHA TLS_RSA_WITH_AES_128_CBC_SHA256 TLS_RSA_WITH_AES_256_CBC_SHA256 TLS_ECDHE_ECDSA_WITH_AES_128_CBC_SHA256 TLS_ECDHE_RSA_WITH_AES_128_CBC_SHA256 TLS_ECDHE_ECDSA_WITH_AES_128_GCM_SHA256 TLS_ECDHE_RSA_WITH_AES_128_GCM_SHA256
	TLS 1.3	TLS 1.3: RFC 8446 *4 Supported function: client function/server function Full Handshake/Resumption/0-RTT Supported cipher suites (TLS 1.3): TLS_AES_128_GCM_SHA256 TLS_AES_128_CCM_SHA256
Key update functions		AES, RSA, DES, ARC4, ECC, HMAC
Key exchange		ECDH P-256, ECDHE NIST P-512: SP800-56A, SP800-56C DH (2048-bit)
Key wrapping		AES (128-/256-bit)

Notes: 1. RSA (3072-/4096-bit) is supported for signature verification and modular exponentiation using public key only.

2. TDES, ARC4, SHA-1 and MD5 are obsoleted. It is not recommended to use these algorithms.

3. Applicable devices of the server function are the RX65N and RX651 groups, RX66N group, RX72M group, and RX72N group.

4. Applicable devices of the server function and Resumption and 0-RTT in the client function are the RX65N and RX651 groups, RX66N group, RX72M group, and RX72N group.

Table 2 TSIP-Lite Cryptographic Algorithms

Cipher Type		Algorithms
Symmetric key cryptography	AES	AES (128-/256-bit) ECB/CBC/CTR: FIPS 197, SP800-38A
Authenticated encryption with associated data (AEAD)		GCM/CCM: FIPS 197, SP800-38C, SP800-38D
Message authentication		CMAC (AES): FIPS 197, SP800-38B GMAC: RFC 4543
Pseudo-random bit generation		SP 800-90A
Random number generation		Tested with SP 800-22.
Key update functions		AES
Key wrapping		AES (128-/256-bit)

Reference Information

[RFC 2104: HMAC: Keyed-Hashing for Message Authentication \(rfc-editor.org\)](https://rfc-editor.org/rfc/rfc2104.html)

[RFC 8017: PKCS #1: RSA Cryptography Specifications Version 2.2 \(rfc-editor.org\)](https://rfc-editor.org/rfc/rfc8017.html)

[RFC 4253: The Secure Shell \(SSH\) Transport Layer Protocol](https://rfc-editor.org/rfc/rfc4253.html)

[RFC 4543: The Use of Galois Message Authentication Code \(GMAC\) in IPsec ESP and AH \(rfc-editor.org\)](https://rfc-editor.org/rfc/rfc4543.html)

[RFC 5246: The Transport Layer Security \(TLS\) Protocol Version 1.2 \(rfc-editor.org\)](https://rfc-editor.org/rfc/rfc5246.html)

[RFC 8446: The Transport Layer Security \(TLS\) Protocol Version 1.3 \(rfc-editor.org\)](https://rfc-editor.org/rfc/rfc8446.html)

[FIPS 46-3, Data Encryption Standard \(DES\) \(withdrawn May 19, 2005\) \(nist.gov\)](https://nvlpubs.nist.gov/nistpubs/FIPS/FIPS.186-4.pdf)

[FIPS186-4: https://nvlpubs.nist.gov/nistpubs/FIPS/NIST.FIPS.186-4.pdf](https://nvlpubs.nist.gov/nistpubs/FIPS/NIST.FIPS.186-4.pdf)

[NIST SP 800-38A, Recommendation for Block Cipher Modes of Operation Methods and Techniques](https://nvlpubs.nist.gov/nistpubs/SpecialPublications/NIST.SP.800-38A.pdf)

[NIST SP 800-38-B Recommendation for Block Cipher Modes of Operation: The CMAC Mode for Authentication \(nist.gov\)](https://nvlpubs.nist.gov/nistpubs/SpecialPublications/NIST.SP.800-38B.pdf)

[NIST SP 800-38-C Recommendation for block cipher modes of operation: the CCM mode for authentication and confidentiality](https://nvlpubs.nist.gov/nistpubs/SpecialPublications/NIST.SP.800-38C.pdf)

[NIST SP 800-38D, Recommendation for Block Cipher Modes of Operation: Galois/Counter Mode \(GCM\) and GMAC](https://nvlpubs.nist.gov/nistpubs/SpecialPublications/NIST.SP.800-38D.pdf)

[NIST SP800-56A: Recommendation for Pair-Wise Key Establishment Schemes Using Discrete Logarithm Cryptography \(nist.gov\)](https://nvlpubs.nist.gov/nistpubs/SpecialPublications/NIST.SP.800-56A.pdf)

[NIST SP800-56C: Recommendation for Key-Derivation Methods in Key-Establishment Schemes \(nist.gov\)](https://nvlpubs.nist.gov/nistpubs/SpecialPublications/NIST.SP.800-56C.pdf)

[NIST SP800-22: https://nvlpubs.nist.gov/nistpubs/Legacy/SP/nistspecialpublication800-22r1a.pdf](https://nvlpubs.nist.gov/nistpubs/Legacy/SP/nistspecialpublication800-22r1a.pdf)

[NIST SP800-90A: https://nvlpubs.nist.gov/nistpubs/SpecialPublications/NIST.SP.800-90Ar1.pdf](https://nvlpubs.nist.gov/nistpubs/SpecialPublications/NIST.SP.800-90Ar1.pdf)

Contents

1. Overview.....	12
1.1 Terminology.....	12
1.2 TSIP Overview.....	14
1.3 Structure of Product Files.....	15
1.4 Development Environment.....	16
1.5 Code Size.....	18
1.6 Sections.....	21
1.7 Performance.....	22
1.7.1 RX231.....	22
1.7.2 RX23W.....	25
1.7.3 RX26T.....	28
1.7.4 RX66T, RX72T.....	31
1.7.5 RX65N.....	34
1.7.6 RX671.....	42
1.7.7 RX72M, RX72N.....	50
2. API Information.....	58
3. TSIP Driver Usage.....	64
3.1 Recovering after Unauthorized Access Detection.....	64
3.2 Avoiding TSIP Access Conflicts.....	64
3.3 BSP FIT Module Integration.....	65
3.4 Single-Part and Multi-Part Operations.....	65
3.5 Initializing and Terminating the Driver.....	66
3.6 Random Number Generation.....	66
3.7 Key Management.....	67
3.7.1 Key Injection and Updating.....	68
3.7.2 Key Generation.....	71
3.7.3 Plaintext Public Key Extraction.....	71
3.8 Symmetric Key Cryptography.....	71
3.8.1 Symmetric Key Cryptography.....	72
3.8.2 Authenticated Encryption with Associated Data (AEAD).....	72
3.8.3 Message Authentication Code (MAC).....	72
3.9 Asymmetric Cryptography.....	73
3.10 Hash Functions.....	73
3.10.1 Message Digest (Hash Function).....	73
3.10.2 Message Authentication Code (HMAC).....	74
3.11 ECDH Key Exchange.....	74
3.11.1 Ephemeral Unified Model (2e, 0s).....	75
3.11.2 One-Pass Diffie-Hellman (1e, 1s).....	76

3.11.3	Static Unified Model (0e, 2s)	77
3.12	TLS Cooperation Function (TLS 1.2)	78
3.12.1	TLS 1.2 Client Function	78
3.12.2	TLS 1.2 Server Function	85
3.13	TLS Cooperation Function (TLS 1.3)	92
3.13.1	TLS 1.3 Client Function	92
3.13.1.1	Full Handshake	93
3.13.1.2	Resumption	99
3.13.1.3	0-RTT	102
3.13.2	TLS 1.3 Server Function	104
3.13.2.1	Full Handshake	105
3.13.2.2	Resumption	111
3.13.2.3	0-RTT	114
3.14	Firmware Update	116
3.14.1	Secure Boot	117
3.14.2	Firmware Update	117
3.14.3	Encrypting the User Program	117
4.	API Functions	118
4.2.1	Common Function APIs	127
4.2.1.1	R_TSIP_Open	127
4.2.1.2	R_TSIP_Close	128
4.2.1.3	R_TSIP_SoftwareReset	129
4.2.1.4	R_TSIP_GetVersion	130
4.2.1.5	R_TSIP_GenerateUpdateKeyRingKeyIndex	131
4.2.2	Random Number Generation	132
4.2.2.1	R_TSIP_GenerateRandomNumber	132
4.2.3	AES	133
4.2.3.1	R_TSIP_GenerateAesXXXKeyIndex	133
4.2.3.2	R_TSIP_UpdateAesXXXKeyIndex	134
4.2.3.3	R_TSIP_GenerateAesXXXRandomKeyIndex	135
4.2.3.4	R_TSIP_AesXXXEcbEncryptInit	136
4.2.3.5	R_TSIP_AesXXXEcbEncryptUpdate	137
4.2.3.6	R_TSIP_AesXXXEcbEncryptFinal	138
4.2.3.7	R_TSIP_AesXXXEcbDecryptInit	139
4.2.3.8	R_TSIP_AesXXXEcbDecryptUpdate	140
4.2.3.9	R_TSIP_AesXXXEcbDecryptFinal	141
4.2.3.10	R_TSIP_AesXXXCbcEncryptInit	142
4.2.3.11	R_TSIP_AesXXXCbcEncryptUpdate	143
4.2.3.12	R_TSIP_AesXXXCbcEncryptFinal	144
4.2.3.13	R_TSIP_AesXXXCbcDecryptInit	145

4.2.3.14	R_TSIP_AesXXXCbcDecryptUpdate.....	146
4.2.3.15	R_TSIP_AesXXXCbcDecryptFinal.....	147
4.2.3.16	R_TSIP_AesXXXCtrInit.....	148
4.2.3.17	R_TSIP_AesXXXCtrUpdate.....	149
4.2.3.18	R_TSIP_AesXXXCtrFinal.....	150
4.2.3.19	R_TSIP_AesXXXGcmEncryptInit.....	151
4.2.3.20	R_TSIP_AesXXXGcmEncryptUpdate.....	152
4.2.3.21	R_TSIP_AesXXXGcmEncryptFinal.....	154
4.2.3.22	R_TSIP_AesXXXGcmDecryptInit.....	155
4.2.3.23	R_TSIP_AesXXXGcmDecryptUpdate.....	156
4.2.3.24	R_TSIP_AesXXXGcmDecryptFinal.....	158
4.2.3.25	R_TSIP_AesXXXCcmEncryptInit.....	159
4.2.3.26	R_TSIP_AesXXXCcmEncryptUpdate.....	161
4.2.3.27	R_TSIP_AesXXXCcmEncryptFinal.....	162
4.2.3.28	R_TSIP_AesXXXCcmDecryptInit.....	163
4.2.3.29	R_TSIP_AesXXXCcmDecryptUpdate.....	165
4.2.3.30	R_TSIP_AesXXXCcmDecryptFinal.....	166
4.2.3.31	R_TSIP_AesXXXCmacGenerateInit.....	167
4.2.3.32	R_TSIP_AesXXXCmacGenerateUpdate.....	168
4.2.3.33	R_TSIP_AesXXXCmacGenerateFinal.....	169
4.2.3.34	R_TSIP_AesXXXCmacVerifyInit.....	170
4.2.3.35	R_TSIP_AesXXXCmacVerifyUpdate.....	171
4.2.3.36	R_TSIP_AesXXXCmacVerifyFinal.....	172
4.2.4	DES.....	173
4.2.4.1	R_TSIP_GenerateTdesKeyIndex.....	173
4.2.4.2	R_TSIP_UpdateTdesKeyIndex.....	174
4.2.4.3	R_TSIP_GenerateTdesRandomKeyIndex.....	175
4.2.4.4	R_TSIP_TdesEcbEncryptInit.....	176
4.2.4.5	R_TSIP_TdesEcbEncryptUpdate.....	177
4.2.4.6	R_TSIP_TdesEcbEncryptFinal.....	178
4.2.4.7	R_TSIP_TdesEcbDecryptInit.....	179
4.2.4.8	R_TSIP_TdesEcbDecryptUpdate.....	180
4.2.4.9	R_TSIP_TdesEcbDecryptFinal.....	181
4.2.4.10	R_TSIP_TdesCbcEncryptInit.....	182
4.2.4.11	R_TSIP_TdesCbcEncryptUpdate.....	183
4.2.4.12	R_TSIP_TdesCbcEncryptFinal.....	184
4.2.4.13	R_TSIP_TdesCbcDecryptInit.....	185
4.2.4.14	R_TSIP_TdesCbcDecryptUpdate.....	186
4.2.4.15	R_TSIP_TdesCbcDecryptFinal.....	187
4.2.5	ARC4.....	188
4.2.5.1	R_TSIP_GenerateArc4KeyIndex.....	188

4.2.5.2	R_TSIP_UpdateArc4KeyIndex.....	189
4.2.5.3	R_TSIP_GenerateArc4RandomKeyIndex.....	190
4.2.5.4	R_TSIP_Arc4EncryptInit	191
4.2.5.5	R_TSIP_Arc4EncryptUpdate	192
4.2.5.6	R_TSIP_Arc4EncryptFinal	193
4.2.5.7	R_TSIP_Arc4DecryptInit	194
4.2.5.8	R_TSIP_Arc4DecryptUpdate	195
4.2.5.9	R_TSIP_Arc4DecryptFinal	196
4.2.6	RSA	197
4.2.6.1	R_TSIP_GenerateRsaXXXPublicKeyIndex	197
4.2.6.2	R_TSIP_GenerateRsaXXXPrivateKeyIndex.....	199
4.2.6.3	R_TSIP_UpdateRsaXXXPublicKeyIndex.....	200
4.2.6.4	R_TSIP_UpdateRsaXXXPrivateKeyIndex	202
4.2.6.5	R_TSIP_GenerateRsaXXXRandomKeyIndex	203
4.2.6.6	R_TSIP_RsaesPkcsXXXEncrypt	205
4.2.6.7	R_TSIP_RsaesPkcsXXXDecrypt	207
4.2.6.8	R_TSIP_RsaesOaepXXXEncrypt	208
4.2.6.9	R_TSIP_RsaesOaepXXXDecrypt	210
4.2.6.10	R_TSIP_RsassaPkcsXXXSignatureGenerate	212
4.2.6.11	R_TSIP_RsassaPkcsXXXSignatureVerification	214
4.2.6.12	R_TSIP_RsassaPssXXXSignatureGenerate	216
4.2.6.13	R_TSIP_RsassaPssXXXSignatureVerification	218
4.2.7	ECC.....	220
4.2.7.1	R_TSIP_GenerateEccPXXXPublicKeyIndex	220
4.2.7.2	R_TSIP_GenerateEccPXXXPrivateKeyIndex.....	222
4.2.7.3	R_TSIP_UpdateEccPXXXPublicKeyIndex.....	224
4.2.7.4	R_TSIP_UpdateEccPXXXPrivateKeyIndex	226
4.2.7.5	R_TSIP_GenerateEccPXXXRandomKeyIndex	228
4.2.7.6	R_TSIP_EcdsaPXXXSignatureGenerate.....	230
4.2.7.7	R_TSIP_EcdsaPXXXSignatureVerification.....	232
4.2.8	HASH.....	235
4.2.8.1	R_TSIP_ShaXXXInit	235
4.2.8.2	R_TSIP_ShaXXXUpdate	236
4.2.8.3	R_TSIP_ShaXXXFinal	237
4.2.8.4	R_TSIP_Md5Init	238
4.2.8.5	R_TSIP_Md5Update	239
4.2.8.6	R_TSIP_Md5Final	240
4.2.8.7	R_TSIP_GetCurrentHashDigestValue	241
4.2.9	HMAC	242
4.2.9.1	R_TSIP_GenerateShaXXXHmacKeyIndex.....	242
4.2.9.2	R_TSIP_UpdateShaXXXHmacKeyIndex	243

4.2.9.3	R_TSIP_ShaXXXHmacGenerateInit.....	244
4.2.9.4	R_TSIP_ShaXXXHmacGenerateUpdate.....	245
4.2.9.5	R_TSIP_ShaXXXHmacGenerateFinal.....	246
4.2.9.6	R_TSIP_ShaXXXHmacVerifyInit.....	247
4.2.9.7	R_TSIP_ShaXXXHmacVerifyUpdate.....	248
4.2.9.8	R_TSIP_ShaXXXHmacVerifyFinal.....	249
4.2.10	DH.....	250
4.2.10.1	R_TSIP_Rsa2048DhKeyAgreement.....	250
4.2.11	ECDH.....	251
4.2.11.1	R_TSIP_EcdhP256Init.....	251
4.2.11.2	R_TSIP_EcdhP256ReadPublicKey.....	252
4.2.11.3	R_TSIP_EcdhP256MakePublicKey.....	253
4.2.11.4	R_TSIP_EcdhP256CalculateSharedSecretIndex.....	255
4.2.11.5	R_TSIP_EcdhP256KeyDerivation.....	256
4.2.11.6	R_TSIP_EcdheP512KeyAgreement.....	258
4.2.11.7	R_TSIP_EcdhP256SshKeyDerivation.....	259
4.2.12	Key Wrap.....	261
4.2.12.1	R_TSIP_AesXXXKeyWrap.....	261
4.2.12.2	R_TSIP_AesXXXKeyUnwrap.....	263
4.2.13	TLS (Common to TLS 1.2 and TLS 1.3).....	265
4.2.13.1	R_TSIP_GenerateTlsXXRsaPublicKeyIndex.....	265
4.2.13.2	R_TSIP_UpdateTlsXXRsaPublicKeyIndex.....	267
4.2.13.3	R_TSIP_TlsRegisterCaCertificationPublicKeyIndex.....	268
4.2.13.4	R_TSIP_TlsXXRootCertificateVerification.....	269
4.2.13.5	R_TSIP_TlsXXCertificateVerification.....	271
4.2.13.6	R_TSIP_TlsXXCertificateVerificationExtension.....	274
4.2.14	TLS (TLS 1.2).....	277
4.2.14.1	R_TSIP_TlsGeneratePreMasterSecret.....	277
4.2.14.2	R_TSIP_TlsEncryptPreMasterSecretWithRsa2048PublicKey.....	278
4.2.14.3	R_TSIP_TlsSVGenerateServerRandom.....	279
4.2.14.4	R_TSIP_TlsSVDecryptPreMasterSecretWithRsa2048PrivateKey.....	280
4.2.14.5	R_TSIP_TlsXXGenerateMasterSecret.....	281
4.2.14.6	R_TSIP_TlsXXGenerateSessionKey.....	283
4.2.14.7	R_TSIP_TlsXXGenerateVerifyData.....	285
4.2.14.8	R_TSIP_TlsServersEphemeralEcdhPublicKeyRetrieves.....	286
4.2.14.9	R_TSIP_GenerateTlsXXP256EccKeyIndex.....	288
4.2.14.10	R_TSIP_TlsXXGeneratePreMasterSecretWithEccP256Key.....	289
4.2.14.11	R_TSIP_TlsXXGenerateExtendedMasterSecret.....	290
4.2.14.12	R_TSIP_TlsSVCertificateVerifyVerification.....	292
4.2.15	TLS (TLS 1.3).....	294
4.2.15.1	R_TSIP_GenerateTls13P256EccKeyIndex.....	294

4.2.15.2	R_TSIP_Tls13GenerateEcdheSharedSecret	295
4.2.15.3	R_TSIP_Tls13GenerateHandshakeSecret	296
4.2.15.4	R_TSIP_Tls13GenerateServerHandshakeTrafficKey	297
4.2.15.5	R_TSIP_Tls13GenerateClientHandshakeTrafficKey	299
4.2.15.6	R_TSIP_Tls13ServerHandshakeVerification	301
4.2.15.7	R_TSIP_Tls13GenerateMasterSecret	303
4.2.15.8	R_TSIP_Tls13GenerateApplicationTrafficKey	304
4.2.15.9	R_TSIP_Tls13UpdateApplicationTrafficKey	306
4.2.15.10	R_TSIP_Tls13GenerateResumptionMasterSecret	308
4.2.15.11	R_TSIP_Tls13GeneratePreSharedKey	310
4.2.15.12	R_TSIP_Tls13GeneratePskBinderKey	312
4.2.15.13	R_TSIP_Tls13GenerateResumptionHandshakeSecret	313
4.2.15.14	R_TSIP_Tls13Generate0RttApplicationWriteKey	315
4.2.15.15	R_TSIP_Tls13CertificateVerifyGenerate	316
4.2.15.16	R_TSIP_Tls13CertificateVerifyVerification	318
4.2.15.17	R_TSIP_GenerateTls13SVP256EccKeyIndex	320
4.2.15.18	R_TSIP_Tls13SVGenerateEcdheSharedSecret	321
4.2.15.19	R_TSIP_Tls13SVGenerateHandshakeSecret	322
4.2.15.20	R_TSIP_Tls13SVGenerateServerHandshakeTrafficKey	323
4.2.15.21	R_TSIP_Tls13SVGenerateClientHandshakeTrafficKey	325
4.2.15.22	R_TSIP_Tls13SVClientHandshakeVerification	327
4.2.15.23	R_TSIP_Tls13SVGenerateMasterSecret	329
4.2.15.24	R_TSIP_Tls13SVGenerateApplicationTrafficKey	330
4.2.15.25	R_TSIP_Tls13SVUpdateApplicationTrafficKey	332
4.2.15.26	R_TSIP_Tls13SVGenerateResumptionMasterSecret	334
4.2.15.27	R_TSIP_Tls13SVGeneratePreSharedKey	336
4.2.15.28	R_TSIP_Tls13SVGeneratePskBinderKey	338
4.2.15.29	R_TSIP_Tls13SVGenerateResumptionHandshakeSecret	339
4.2.15.30	R_TSIP_Tls13SVGenerate0RttApplicationWriteKey	340
4.2.15.31	R_TSIP_Tls13SVCertificateVerifyGenerate	341
4.2.15.32	R_TSIP_Tls13SVCertificateVerifyVerification	343
4.2.15.33	R_TSIP_Tls13EncryptInit	345
4.2.15.34	R_TSIP_Tls13EncryptUpdate	347
4.2.15.35	R_TSIP_Tls13EncryptFinal	348
4.2.15.36	R_TSIP_Tls13DecryptInit	349
4.2.15.37	R_TSIP_Tls13DecryptUpdate	351
4.2.15.38	R_TSIP_Tls13DecryptFinal	352
4.2.16	Firmware Update	353
4.2.16.1	R_TSIP_StartUpdateFirmware	353
4.2.16.2	R_TSIP_GenerateFirmwareMACInit	354
4.2.16.3	R_TSIP_GenerateFirmwareMACUpdate	355

4.2.16.4 R_TSIP_GenerateFirmwareMACFinal.....	356
4.2.16.5 R_TSIP_VerifyFirmwareMACInit.....	357
4.2.16.6 R_TSIP_VerifyFirmwareMACUpdate.....	358
4.2.16.7 R_TSIP_VerifyFirmwareMACFinal.....	359
4.3 User-Defined Functions.....	360
5. Key Injection and Updating.....	363
5.1 Key Injection.....	363
5.2 Key Updating.....	364
5.3 Generating an Encrypted Key Using Security Key Management Tool	365
5.3.1 Key Injection Procedure	365
5.3.1.1 Procedure for CLI Version.....	365
5.3.1.2 Procedure for GUI Version.....	366
5.3.2 Key Update Operation Procedure	369
5.3.2.1 Procedure for CLI Version.....	369
5.3.2.2 Procedure for GUI Version.....	371
6. Sample Programs.....	376
6.1 Confirming Operation of the Demo Projects	376
6.1.1 Setting Up the Demo Project.....	377
6.1.2 Overview of Demo Project.....	380
6.1.3 Demo Project Execution Example.....	386
6.2 Confirming Operation of the Secure Bootloader and Firmware Update Demo Projects.....	388
6.2.1 Demo Project Setup	389
6.2.2 Overview of Secure Bootloader and Firmware Update Projects.....	400
6.2.2.1 Secure Bootloader project.....	403
6.2.2.2 Firmware Update Project.....	410
6.2.3 Secure Bootloader and Firmware Update Execution Example.....	411
6.2.4 Execution Example of Factory Programming Using Motorola S Format File Containing Secure Bootloader and Encrypted User Program	422
6.2.5 Debugging User Program Projects	431
6.2.6 Notes on Transition from Secure Bootloader to User Program	432
7. Appendix.....	433
7.1 Confirmed Operation Environment.....	433
7.2 Troubleshooting.....	434
7.3 User Key Encryption Formats	435
7.3.1 AES	435
7.3.1.1 AES 128-Bit Key.....	435
7.3.1.2 AES 256-Bit Key.....	435
7.3.2 DES	435
7.3.3 ARC4.....	436
7.3.4 RSA.....	436

7.3.4.1	RSA 1024-Bit Key	436
7.3.4.2	RSA 2048-Bit Key	437
7.3.4.3	RSA 3072-Bit Key	437
7.3.4.4	RSA 4096-Bit Key	438
7.3.5	ECC	438
7.3.5.1	ECC P192	438
7.3.5.2	ECC P224	439
7.3.5.3	ECC P256	439
7.3.5.4	ECC P384	440
7.3.6	HMAC	440
7.3.6.1	SHA1-HMAC Key	440
7.3.6.2	SHA256-HMAC Key	440
7.3.7	KUK	440
7.4	Wrapped Key of Public Key Formats for Asymmetric Cryptography	441
7.4.1	RSA	441
7.4.2	ECC	441
7.4.2.1	ECC P 192-Bit Key	441
7.4.2.2	ECC P 224-Bit Key	441
7.4.2.3	ECC P 256-Bit Key	441
7.4.2.4	ECC P 384-Bit Key	441
7.5	Encrypted Key Generation in Dynamic Operation	442
8.	Reference Documents	444
	Revision History	445

1. Overview

1.1 Terminology

Terms used in this document are defined below. Note that the names used for some keys differ from those used in the “Diagram of Key Installation Process” appearing in the Trusted Secure IP section of the hardware manual of the MCU. Refer to “Diagram of Key Installation Process” (reproduced below as Figure 1.1) alongside the list below.

Table 1-1 Descriptions of Terms

Term	Description	Correspondence with Diagram of Key Installation Process
Key injection	Injecting a wrapped key into the device at the factory.	—
Key updating	Injecting a wrapped key into the device in the field.	—
User key	An encryption key in plaintext used by the user. Not used on the device. For AES, DES, ARC4, and HMAC, user keys are used as shared keys. For RSA and ECC, user keys are used as public keys and secret keys.	Key-1
Encrypted key	Key information generated by adding a MAC value and encrypting a user key using a UFPK or update key. An encrypted key corresponding to the same user key is a shared value on each device.	eKey-1
Wrapped key	Data consisting of an encrypted key that has been converted into a form that is usable by the TSIP driver by key injection or key updating. The wrapped key has been wrapped using an HUK, so the wrapped key of the same encrypted key will be a unique value on each device.	Index-1 or Index-2
UFPK	User Factory Programming Key A keyring set by the user and used to generate an encrypted key from a user key during key injection. Not used on the device.	Key-2
W-UFPK	Wrapped UFPK Key information generated by wrapping a UFPK using an HRK on the DLM server. The UFPK is decrypted using the HRK internally by the TSIP.	Index-2
Key update key (KUK)	A key set by the user and used to generate an encrypted key from a user key during key updating. The wrapped KUK for the update key must be generated beforehand by key injection in order to perform key updating on the device.	—
Hardware root key (HRK)	A shared encryption key that exists only inside the TSIP and in secure rooms within Renesas.	—
Hardware unique key (HUK)	A device-specific encryption key that is derived internally by the TSIP and used to protect key data.	—
Device Lifecycle Management (DLM) server	A key management server operated by Renesas. It is used for wrapping UFPK.	—

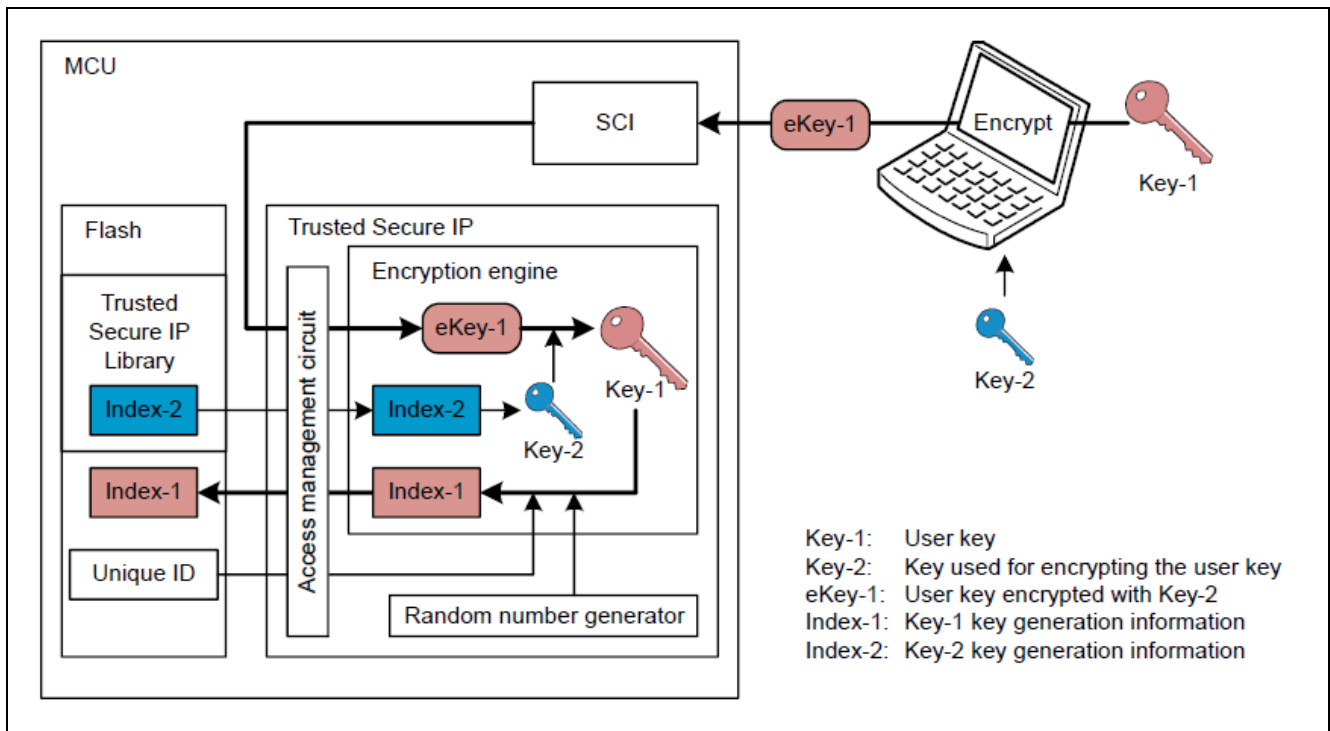


Figure 1.1 Diagram of Key Installation Process (Reproduced from Figure 52.4 in section 52, Trusted Secure IP (TSIP), in RX65N Group, RX651 Group, User’s Manual: Hardware)

1.2 TSIP Overview

The Trusted Secure IP (TSIP) block on RX Family MCUs creates a secure area inside the MCU by monitoring for unauthorized access attempts. This ensures that the TSIP can utilize the encryption engine and user key (encryption key) reliably and securely. The TSIP handles the encryption key in a format called a wrapped key that is secure and unreadable outside the TSIP block. This means that the encryption key, the most important element in reliable and secure encryption, can be stored in the flash memory.

The TSIP block has a safe area that contains the encryption engine and storage for the encryption key in plaintext format.

The TSIP restores from the wrapped key the encryption key used for cryptographic operations. This operation is performed internally by the TSIP. The wrapped key is tied to an HUK derived from a unique ID, making it device-specific. This means that even if a wrapped key is copied from one device to a different device it cannot be used on the second device. To access the TSIP hardware an application must use the TSIP driver.

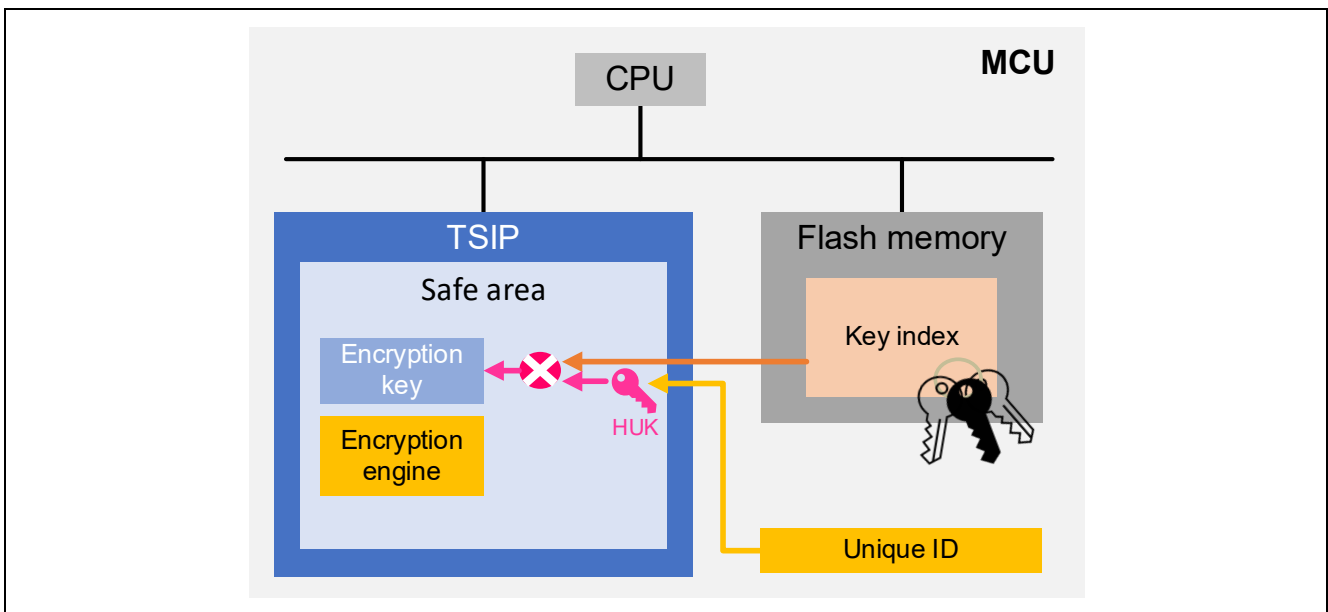


Figure 1.2 MCU Incorporating TSIP

1.3 Structure of Product Files

Table 1.2 below lists the files included in the product.

Table 1-2 Structure of Product Files

File/Directory (Bold) Name	Description
Readme.txt	Readme
r20an0371jj0122-rx-tsip-security.pdf	TSIP driver application note (Japanese)
r20an0371ej0122-rx-tsip-security.pdf	TSIP driver application note (English)
reference_documents	Folder containing documentation of topics such as how to use the FIT module with various integrated development environments
Ja	Folder containing documentation of topics such as how to use the FIT module with various integrated development environments (Japanese)
r01an1826jj0110-rx.pdf	How to add FIT modules to CS+ projects (Japanese)
r01an1723ju0121-rx.pdf	How to add FIT modules to e ² studio projects (Japanese)
r20an0451js0140-e2studio-sc.pdf	Smart Configurator user's guide (Japanese)
r01an5792jj0103-rx-tsip.pdf	AES cryptography project application note (Japanese)
r01an5880jj0104-rx-tsip.pdf	TLS cooperation function project application note (Japanese)
En	Folder containing documentation of topics such as how to use the FIT module with various integrated development environments (English)
r01an1826ej0110-rx.pdf	How to add FIT modules to CS+ projects (English)
r01an1723eu0121-rx.pdf	How to add FIT modules to e ² studio projects (English)
r20an0451es0140-e2studio-sc.pdf	Smart Configurator user's guide (English)
r01an5792ej0103-rx-tsip.pdf	AES cryptography project application note (English)
r01an5880ej0104-rx-tsip.pdf	TLS cooperation function project application note (English)
FITModules	FIT module folder
r_tsip_rx_v1.22.zip	TSIP driver FIT module
r_tsip_rx_v1.22.xml	TSIP driver FIT module e ² studio FIT plug-in XML file
r_tsip_rx_v1.22_extend.mdf	TSIP driver FIT module Smart Configurator configuration settings file
FITDemos	Demo project folder
rxXXX_bbb_tsip_sample *1*2	Project showing how to write keys and use cryptographic APIs
rxXXX_bbb_tsip_secure_boot *1*2	Secure boot/secure update implementation example
rxXXX_bbb_tsip_secure_boot *1*2	Secure boot firmware
rxXXX_bbb_tsip_user_program *1*2	User program following secure update
rx65n_2mb_rsk_tsip_aes_sample	AES cryptography project for RX65N
rx72n_ek_tsip_aes_sample	AES cryptography project for RX72N

Note: 1. "rxXXX" represents the RX group names.

2. "bbb" is the name of the supported board. Usually, USB and UART are available as IF for Update, but if the MCU does not support USB, only UART is supported. The project name which supports only UART includes _sci before _secure_boot and _user_program.

RSK : rsk (rsk(_tsip)_sci : only support UART)

MCB : mcb (mcb(_tsip)_sci : only support UART)

Envision Kit : ek

Table 1.3 lists the files and folders contained in the folder produced by unzipping r_tsip_rx_v.1.22.zip.

Table 1-3 File Structure

File/Directory (Bold) Names	Description
r_config	TSIP driver config file folder
r_tsip_rx_config.h	TSIP driver config file (default settings)
r_tsip_rx	TSIP driver FIT module folder
src	TSIP driver source code folder
targets	Folder containing program code dependent on specific MCU models
Group name*1	TSIP/TSIP-Lite driver folder There is a separate folder for each product group.
r_tsip_rx.c	TSIP system driver source code (required)
r_tsip_{algorithm}_rx.c	API source code for each cryptographic algorithm {algorithm} represents the name of the algorithm, such as aes or rsa.
r_tsip_rx_private.c	TSIP driver source code (Can be turned on/off with an option.)
r_tsip_rx_private.h	TSIP driver header file (Can be turned on/off with an option.)
iodefine	TSIP access header file storage folder
r_tsip_{Group name}_iodefine.h	TSIP access header file The folder name matches the name of the product group.
ip	TSIP access source code storage folder
r_tsip_rx_pxx.c	TSIP access source code "xx" in the file name represents a numeric value.
r_tsip_rx_subprcxx.c	TSIP access source code "xx" in the file name represents a numeric value.
r_tsip_rx_functionxxx.c	TSIP access source code (sub API) "xx" in the file name represents a numeric value.
s_flash.c	Key information file
doc	
ja	TSIP system driver source code (required)
r20an0371jj0121-rx-tsip-security.pdf	TSIP driver application note (Japanese)
en	TSIP driver source code (Can be turned on/off with an option.)
r20an0371ej0121-rx-tsip-security.pdf	TSIP driver application note (English)
r_tsip_rx_if.h	TSIP driver header file
readme.txt	Readme

1.4 Development Environment

The TSIP driver was developed using the tools described below. When developing your own applications, use the versions of the software indicated below, or newer.

1. Integrated development environment
Refer to the "Integrated development environment" item under 7.1, Confirmed Operation Environment.
2. C compiler
Refer to the "C compiler" item under 7.1, Confirmed Operation Environment.
3. Emulator/debugger
E1, E20, or E2 Lite

4. Evaluation boards

Refer to the “Board used” item under 7.1, Confirmed Operation Environment. All of the boards listed are special product versions with cryptographic functionality. Make sure to confirm the product model name before ordering. e² studio and CC-RX were used in combination for evaluation and to create the demo project.

The project conversion function can be used to convert projects from e² studio to CS+. If you encounter errors such as compiler errors, please contact your Renesas representative.

1.5 Code Size

The table below lists the ROM and RAM sizes and the maximum stack usage associated with this module.

The actual ROM (code and constants) and RAM (global data) sizes are determined by the configuration options listed in 2.6, Configuration.

The values listed in the table below have been confirmed under the following conditions:

Module revision: r_tsip_rx rev1.22

Compiler version: Renesas Electronics C/C++ Compiler Package for RX Family V3.06.00
(integrated development environment default settings with “-lang = c99” option added)

GCC for Renesas RX 8.3.0.202311
(integrated development environment default settings with “-std = gnu99” option added)

IAR C/C++ Compiler for Renesas RX version 5.10.01
(integrated development environment default settings)

Configuration options: default settings

ROM, RAM, and Stack Sizes				
Device	Category	Memory Used		
		Renesas Compiler	GCC	IAR Compiler
TSIP-Lite	ROM	56,194 bytes	55,658 bytes	59,614 bytes
	RAM	1,356 bytes	1,356 bytes	1,352 bytes
	Stack	184 bytes	196 bytes	164 bytes
TSIP	ROM	429,155 bytes	498,472 bytes	428,784 bytes
	RAM	7,980 bytes	7,964 bytes	7,980 bytes
	Stack	1,636 bytes	1,268 bytes	1,376 bytes

The above table shows the code size which includes all the functions of TSIP driver. As a reference of the actual usage, ROM and RAM and the maximum stack usage for each functions are shown in below table. Note that sum of each size is different from actual build size because some of the APIs use same internal functions.

ROM, RAM, and Stack Sizes						
Device	Function	Category	Memory Used			
			Renesas Compiler	GCC	IAR Compiler	
RX231	Common Function APIs	ROM	5,157 bytes	5,617 bytes	5,421 bytes	
		RAM	1,356 bytes	1,356 bytes	1,356 bytes	
		Stack	80 bytes	196 bytes	44 bytes	
	Random Number Generation	ROM	186 bytes	427 bytes	429 bytes	
		RAM	0 bytes	0 bytes	0 bytes	
		Stack	28 bytes	36 bytes	20 bytes	
	AES (128bit)	ROM	19,522 bytes	23,402 bytes	25,420 bytes	
		RAM	112 bytes	112 bytes	108 bytes	
		Stack	184 bytes	196 bytes	164 bytes	
	AES (256bit)	ROM	24,673 bytes	24,433 bytes	26,379 bytes	
		RAM	112 bytes	112 bytes	108 bytes	
		Stack	184 bytes	196 bytes	164 bytes	
	Key Wrap	ROM	6,874 bytes	5,947 bytes	6,350 bytes	
		RAM	0 bytes	0 bytes	0 bytes	
		Stack	112 bytes	80 bytes	72 bytes	
	Firmware Update	ROM	906 bytes	915 bytes	1,040 bytes	
		RAM	0 bytes	0 bytes	0 bytes	
		Stack	40 bytes	60 bytes	12 bytes	
	RX65N	Common Function APIs	ROM	5,096 bytes	5,248 bytes	5,327 bytes
			RAM	1,415 bytes	1,400 bytes	1,400 bytes
			Stack	56 bytes	84 bytes	44 bytes
Random Number Generation		ROM	521 bytes	437 bytes	458 bytes	
		RAM	15 bytes	0 bytes	0 bytes	
		Stack	28 bytes	4 bytes	20 bytes	
AES (128bit)		ROM	34,137 bytes	33,372 bytes	36,090 bytes	
		RAM	244 bytes	192 bytes	192 bytes	
		Stack	192 bytes	244 bytes	160 bytes	
AES (256bit)		ROM	34,179 bytes	26,251 bytes	28,262 bytes	
		RAM	244 bytes	192 bytes	192 bytes	
		Stack	192 bytes	188 bytes	160 bytes	
DES		ROM	6,984 bytes	6,814 bytes	6,244 bytes	
		RAM	84 bytes	80 bytes	84 bytes	
		Stack	64 bytes	64 bytes	48 bytes	
ARC4		ROM	5,656 bytes	5,609 bytes	5,965 bytes	
		RAM	76 bytes	76 bytes	76 bytes	
		Stack	68 bytes	60 bytes	40 bytes	
RSA		ROM	134,254 bytes	120,509 bytes	133,814 bytes	
		RAM	6,724 bytes	6,724 bytes	6,724 bytes	
		Stack	1,620 bytes	1,268 bytes	1,376 bytes	
ECC		ROM	40,755 bytes	43,535 bytes	43,120 bytes	
		RAM	6,592 bytes	6,592 bytes	6,592 bytes	
		Stack	360 bytes	272 bytes	344 bytes	
HASH		ROM	3,029 bytes	2,922 bytes	3,233 bytes	

		RAM	0 bytes	0 bytes	0 bytes
		Stack	244 bytes	108 bytes	88 bytes
	HMAC	ROM	12,834 bytes	12,212 bytes	12,692 bytes
		RAM	164 bytes	164 bytes	164 bytes
		Stack	124 bytes	116 bytes	96 bytes
	DH	ROM	2,912 bytes	2,533 bytes	2,773 bytes
		RAM	0 bytes	0 bytes	0 bytes
		Stack	84 bytes	56 bytes	40 bytes
	ECDH	ROM	34,630 bytes	36,091 bytes	35,475 bytes
		RAM	6,616 bytes	6,616 bytes	6,616 bytes
		Stack	308 bytes	296 bytes	232 bytes
	Key Wrap	ROM	6,128 bytes	5,441 bytes	5,959 bytes
		RAM	0 bytes	0 bytes	0 bytes
		Stack	124 bytes	96 bytes	80 bytes
	TLS (Common to TLS 1.2 and TLS 1.3)	ROM	74,317 bytes	68,646 bytes	73,146 bytes
		RAM	7,792 bytes	7,792 bytes	7,792 bytes
		Stack	780 bytes	376 bytes	168 bytes
	TLS (TLS 1.2)	ROM	122,000 bytes	116,479 bytes	123,039 bytes
		RAM	7,792 bytes	7,792 bytes	7,792 bytes
		Stack	856 bytes	376 bytes	228 bytes
	TLS (TLS 1.3)	ROM	139,984 bytes	135,519 bytes	140,663 bytes
		RAM	6,612 bytes	6,628 bytes	6,628 bytes
		Stack	1,244 bytes	516 bytes	1,232 bytes
	Firmware Update	ROM	2,393 bytes	2,629 bytes	2,584 bytes
RAM		0 bytes	0 bytes	0 bytes	
Stack		36 bytes	40 bytes	48 bytes	

1.6 Sections

The TSIP driver uses the default sections.

In sample programs, the sections `C_FIRMWARE_UPDATE_CONTROL_BLOCK`, `C_FIRMWARE_UPDATE_CONTROL_BLOCK_MIRROR` and `C_ENCRYPTED_KEY_BLOCK` are used. If changes are required, edit the section setting.

When using the secure boot functionality, the sections `BSECURE_BOOT*`, `PSECURE_BOOT`, `PSECURE_BOOT_ERASE`, `CSECURE_BOOT*`, `DSECURE_BOOT*`, and `RSECURE_BOOT*` are used.

1.7 Performance

Performance information for TSIP-Lite drivers (RX231, RX23W, RX26T, RX66T, and RX72T) and TSIP drivers (RX65N, RX671, RX72M, and RX72N) for each device group is shown below.

Performance is measured in cycles of ICLK, the core clock. The operating clock (PCLKB) for TSIP-Lite and TSIP is set to ICLK : PCLKB = 2 : 1. The drivers are built using CC-RX with optimization level 2. Refer to 7.1, Confirmed Operation Environment, for version information. The configuration options are left in their default settings.

1.7.1 RX231

Table 1-4 Performance of Common APIs

API	Performance (Unit: Cycle)
R_TSIP_Open	7,400,000
R_TSIP_Close	430
R_TSIP_GetVersion	28
R_TSIP_GenerateAes128KeyIndex	4,000
R_TSIP_GenerateAes256KeyIndex	4,500
R_TSIP_GenerateAes128RandomKeyIndex	2,200
R_TSIP_GenerateAes256RandomKeyIndex	3,100
R_TSIP_GenerateRandomNumber	940
R_TSIP_GenerateUpdateKeyRingKeyIndex	4,500
R_TSIP_UpdateAes128KeyIndex	3,500
R_TSIP_UpdateAes256KeyIndex	4,100

Table 1-5 Firmware Verification Performance

API	Performance (Unit: Cycle)		
	2 KB Processing	4 KB Processing	6 KB Processing
R_TSIP_VerifyFirmwareMACInit	300	300	300
R_TSIP_VerifyFirmwareMACUpdate	11,000	23,000	34,000
R_TSIP_VerifyFirmwareMACFinal	40	40	40

Table 1-6 Performance of AES

API	Performance (Unit: Cycle)		
	16-Byte Processing	48-Byte Processing	80-Byte Processing
R_TSIP_Aes128EcbEncryptInit	1,300	1,300	1,300
R_TSIP_Aes128EcbEncryptUpdate	610	800	970
R_TSIP_Aes128EcbEncryptFinal	560	560	560
R_TSIP_Aes128EcbDecryptInit	1,300	1,300	1,300
R_TSIP_Aes128EcbDecryptUpdate	730	900	1,100
R_TSIP_Aes128EcbDecryptFinal	570	570	570
R_TSIP_Aes256EcbEncryptInit	1,600	1,600	1,600
R_TSIP_Aes256EcbEncryptUpdate	660	900	1,100
R_TSIP_Aes256EcbEncryptFinal	550	550	550
R_TSIP_Aes256EcbDecryptInit	1,600	1,600	1,600
R_TSIP_Aes256EcbDecryptUpdate	800	1,000	1,300
R_TSIP_Aes256EcbDecryptFinal	570	570	570
R_TSIP_Aes128CbcEncryptInit	1,400	1,400	1,400
R_TSIP_Aes128CbcEncryptUpdate	670	850	1,000
R_TSIP_Aes128CbcEncryptFinal	580	580	580
R_TSIP_Aes128CbcDecryptInit	1,400	1,400	1,400
R_TSIP_Aes128CbcDecryptUpdate	780	950	1,100
R_TSIP_Aes128CbcDecryptFinal	590	590	590
R_TSIP_Aes256CbcEncryptInit	1,700	1,700	1,700
R_TSIP_Aes256CbcEncryptUpdate	720	960	1,200
R_TSIP_Aes256CbcEncryptFinal	580	580	580
R_TSIP_Aes256CbcDecryptInit	1,700	1,700	1,700
R_TSIP_Aes256CbcDecryptUpdate	850	1,100	1,300
R_TSIP_Aes256CbcDecryptFinal	590	590	590

Table 1-7 Performance of AES-GCM

API	Performance (Unit: Cycle)		
	48-Byte Processing	64-Byte Processing	80-Byte Processing
R_TSIP_Aes128GcmEncryptInit	5,500	5,500	5,500
R_TSIP_Aes128GcmEncryptUpdate	2,900	3,400	3,900
R_TSIP_Aes128GcmEncryptFinal	1,300	1,300	1,300
R_TSIP_Aes128GcmDecryptInit	5,500	5,500	5,500
R_TSIP_Aes128GcmDecryptUpdate	2,400	2,500	2,600
R_TSIP_Aes128GcmDecryptFinal	2,100	2,100	2,100
R_TSIP_Aes256GcmEncryptInit	6,200	6,200	6,200
R_TSIP_Aes256GcmEncryptUpdate	3,000	3,500	4,000
R_TSIP_Aes256GcmEncryptFinal	1,300	1,300	1,300
R_TSIP_Aes256GcmDecryptInit	6,200	6,200	6,200
R_TSIP_Aes256GcmDecryptUpdate	2,500	2,700	2,800
R_TSIP_Aes256GcmDecryptFinal	2,200	2,100	2,100

Note: GCM performance was measured with parameters fixed as follows: ivec = 1,024 bits, AAD = 720 bits, and authentication tag = 128 bits.

Table 1-8 Performance of AES-CCM

API	Performance (Unit: Cycle)		
	48-Byte Processing	64-Byte Processing	80-Byte Processing
R_TSIP_Aes128CcmEncryptInit	2,600	2,600	2,600
R_TSIP_Aes128CcmEncryptUpdate	1,500	1,700	1,900
R_TSIP_Aes128CcmEncryptFinal	1,200	1,200	1,200
R_TSIP_Aes128CcmDecryptInit	2,400	2,400	2,400
R_TSIP_Aes128CcmDecryptUpdate	1,400	1,600	1,800
R_TSIP_Aes128CcmDecryptFinal	1,900	1,900	1,900
R_TSIP_Aes256CcmEncryptInit	3,000	3,000	3,000
R_TSIP_Aes256CcmEncryptUpdate	1,700	2,000	2,200
R_TSIP_Aes256CcmEncryptFinal	1,200	1,200	1,200
R_TSIP_Aes256CcmDecryptInit	3,000	3,000	3,000
R_TSIP_Aes256CcmDecryptUpdate	1,700	1,900	2,100
R_TSIP_Aes256CcmDecryptFinal	2,000	2,000	2,000

Note: CCM performance was measured with parameters fixed as follows: nonce = 104 bits, AAD = 880 bits, and MAC = 128 bits.

Table 1-9 Performance of AES-CMAC

API	Performance (Unit: Cycle)		
	48-Byte Processing	64-Byte Processing	80-Byte Processing
R_TSIP_Aes128CmacGenerateInit	910	910	910
R_TSIP_Aes128CmacGenerateUpdate	810	900	990
R_TSIP_Aes128CmacGenerateFinal	1,100	1,100	1,100
R_TSIP_Aes128CmacVerifyInit	900	910	910
R_TSIP_Aes128CmacVerifyUpdate	800	890	970
R_TSIP_Aes128CmacVerifyFinal	1,800	1,800	1,800
R_TSIP_Aes256CmacGenerateInit	1,200	1,200	1,200
R_TSIP_Aes256CmacGenerateUpdate	880	1,000	1,100
R_TSIP_Aes256CmacGenerateFinal	1,200	1,200	1,200
R_TSIP_Aes256CmacVerifyInit	1,200	1,200	1,200
R_TSIP_Aes256CmacVerifyUpdate	870	1,000	1,100
R_TSIP_Aes256CmacVerifyFinal	1,900	1,900	1,900

Table 1-10 Performance of AES Key Wrap

API	Performance (Unit: Cycle)	
	Wrap Target Key AES-128	Wrap Target Key AES-256
R_TSIP_Aes128KeyWrap	9,600	15,000
R_TSIP_Aes256KeyWrap	10,000	17,000
R_TSIP_Aes128KeyUnwrap	12,000	18,000
R_TSIP_Aes256KeyUnwrap	13,000	19,000

1.7.2 RX23W

Table 1-11 Performance of Common APIs

API	Performance (Unit: Cycle)
R_TSIP_Open	7,400,000
R_TSIP_Close	660
R_TSIP_GetVersion	36
R_TSIP_GenerateAes128KeyIndex	4,300
R_TSIP_GenerateAes256KeyIndex	4,900
R_TSIP_GenerateAes128RandomKeyIndex	2,400
R_TSIP_GenerateAes256RandomKeyIndex	3,300
R_TSIP_GenerateRandomNumber	1,000
R_TSIP_GenerateUpdateKeyRingKeyIndex	4,900
R_TSIP_UpdateAes128KeyIndex	3,800
R_TSIP_UpdateAes256KeyIndex	4,400

Table 1-12 Firmware Verification Performance

API	Performance (Unit: Cycle)		
	2 KB Processing	4 KB Processing	6 KB Processing
R_TSIP_VerifyFirmwareMACInit	340	340	340
R_TSIP_VerifyFirmwareMACUpdate	12,000	23,000	35,000
R_TSIP_VerifyFirmwareMACFinal	56	56	56

Table 1-13 Performance of AES

API	Performance (Unit: Cycle)		
	16-Byte Processing	48-Byte Processing	80-Byte Processing
R_TSIP_Aes128EcbEncryptInit	1,500	1,500	1,500
R_TSIP_Aes128EcbEncryptUpdate	730	910	1,100
R_TSIP_Aes128EcbEncryptFinal	660	660	660
R_TSIP_Aes128EcbDecryptInit	1,500	1,500	1,500
R_TSIP_Aes128EcbDecryptUpdate	850	1,000	1,200
R_TSIP_Aes128EcbDecryptFinal	670	670	670
R_TSIP_Aes256EcbEncryptInit	1,800	1,800	1,800
R_TSIP_Aes256EcbEncryptUpdate	760	1,000	1,300
R_TSIP_Aes256EcbEncryptFinal	650	650	650
R_TSIP_Aes256EcbDecryptInit	1,800	1,800	1,800
R_TSIP_Aes256EcbDecryptUpdate	930	1,200	1,400
R_TSIP_Aes256EcbDecryptFinal	670	670	670
R_TSIP_Aes128CbcEncryptInit	1,500	1,500	1,500
R_TSIP_Aes128CbcEncryptUpdate	810	990	1,200
R_TSIP_Aes128CbcEncryptFinal	680	680	680
R_TSIP_Aes128CbcDecryptInit	1,600	1,600	1,600
R_TSIP_Aes128CbcDecryptUpdate	920	1,100	1,300
R_TSIP_Aes128CbcDecryptFinal	700	700	700
R_TSIP_Aes256CbcEncryptInit	1,900	1,900	1,900
R_TSIP_Aes256CbcEncryptUpdate	850	1,100	1,300
R_TSIP_Aes256CbcEncryptFinal	680	580	580
R_TSIP_Aes256CbcDecryptInit	1,900	1,900	1,900
R_TSIP_Aes256CbcDecryptUpdate	1,000	1,200	1,500
R_TSIP_Aes256CbcDecryptFinal	700	700	700

Table 1-14 Performance of AES-GCM

API	Performance (Unit: Cycle)		
	48-Byte Processing	64-Byte Processing	80-Byte Processing
R_TSIP_Aes128GcmEncryptInit	6,200	6,200	6,200
R_TSIP_Aes128GcmEncryptUpdate	3,400	3,900	4,500
R_TSIP_Aes128GcmEncryptFinal	1,500	1,500	1,500
R_TSIP_Aes128GcmDecryptInit	6,200	6,200	6,200
R_TSIP_Aes128GcmDecryptUpdate	2,900	3,000	3,100
R_TSIP_Aes128GcmDecryptFinal	2,300	2,300	2,300
R_TSIP_Aes256GcmEncryptInit	6,900	6,900	6,900
R_TSIP_Aes256GcmEncryptUpdate	3,500	4,100	4,700
R_TSIP_Aes256GcmEncryptFinal	1,500	1,500	1,500
R_TSIP_Aes256GcmDecryptInit	6,900	6,900	6,900
R_TSIP_Aes256GcmDecryptUpdate	2,900	3,100	3,200
R_TSIP_Aes256GcmDecryptFinal	2,400	2,400	2,400

Note: GCM performance was measured with parameters fixed as follows: ivec = 1,024 bits, AAD = 720 bits, and authentication tag = 128 bits.

Table 1-15 Performance of AES-CCM

API	Performance (Unit: Cycle)		
	48-Byte Processing	64-Byte Processing	80-Byte Processing
R_TSIP_Aes128CcmEncryptInit	3,000	3,000	3,000
R_TSIP_Aes128CcmEncryptUpdate	1,800	1,900	2,100
R_TSIP_Aes128CcmEncryptFinal	1,400	1,400	1,400
R_TSIP_Aes128CcmDecryptInit	2,700	2,700	2,700
R_TSIP_Aes128CcmDecryptUpdate	1,700	1,800	2,000
R_TSIP_Aes128CcmDecryptFinal	2,200	2,200	2,200
R_TSIP_Aes256CcmEncryptInit	3,300	3,300	3,300
R_TSIP_Aes256CcmEncryptUpdate	2,000	2,200	2,500
R_TSIP_Aes256CcmEncryptFinal	1,500	1,500	1,500
R_TSIP_Aes256CcmDecryptInit	3,300	3,300	3,300
R_TSIP_Aes256CcmDecryptUpdate	1,800	2,100	2,300
R_TSIP_Aes256CcmDecryptFinal	2,300	2,300	2,300

Note: CCM performance was measured with parameters fixed as follows: nonce = 104 bits, AAD = 880 bits, and MAC = 128 bits.

Table 1-16 Performance of AES-CMAC

API	Performance (Unit: Cycle)		
	48-Byte Processing	64-Byte Processing	80-Byte Processing
R_TSIP_Aes128CmacGenerateInit	1,000	1,000	1,000
R_TSIP_Aes128CmacGenerateUpdate	950	1,000	1,100
R_TSIP_Aes128CmacGenerateFinal	1,300	1,300	1,300
R_TSIP_Aes128CmacVerifyInit	1,000	1,000	1,000
R_TSIP_Aes128CmacVerifyUpdate	940	1,000	1,100
R_TSIP_Aes128CmacVerifyFinal	2,000	2,000	2,000
R_TSIP_Aes256CmacGenerateInit	1,300	1,300	1,300
R_TSIP_Aes256CmacGenerateUpdate	1,000	1,100	1,300
R_TSIP_Aes256CmacGenerateFinal	1,300	1,300	1,300
R_TSIP_Aes256CmacVerifyInit	1,300	1,300	1,300
R_TSIP_Aes256CmacVerifyUpdate	1,000	1,100	1,300
R_TSIP_Aes256CmacVerifyFinal	2,100	2,100	2,100

Table 1-17 Performance of AES Key Wrap

API	Performance (Unit: Cycle)	
	Wrap Target Key AES-128	Wrap Target Key AES-256
R_TSIP_Aes128KeyWrap	11,000	17,000
R_TSIP_Aes256KeyWrap	11,000	17,000
R_TSIP_Aes128KeyUnwrap	13,000	20,000
R_TSIP_Aes256KeyUnwrap	14,000	21,000

1.7.3 RX26T

Table 1-18 Performance of Common APIs

API	Performance (Unit: Cycle)
R_TSIP_Open	7,400,000
R_TSIP_Close	270
R_TSIP_GetVersion	18
R_TSIP_GenerateAes128KeyIndex	3,900
R_TSIP_GenerateAes256KeyIndex	4,500
R_TSIP_GenerateAes128RandomKeyIndex	2,200
R_TSIP_GenerateAes256RandomKeyIndex	3,000
R_TSIP_GenerateRandomNumber	900
R_TSIP_GenerateUpdateKeyRingKeyIndex	4,500
R_TSIP_UpdateAes128KeyIndex	3,500
R_TSIP_UpdateAes256KeyIndex	4,000

Table 1-19 Firmware Verification Performance

API	Performance (Unit: Cycle)		
	2 KB Processing	4 KB Processing	6 KB Processing
R_TSIP_VerifyFirmwareMACInit	280	280	280
R_TSIP_VerifyFirmwareMACUpdate	11,000	23,000	34,000
R_TSIP_VerifyFirmwareMACFinal	26	26	26

Table 1-20 Performance of AES

API	Performance (Unit: Cycle)		
	16-Byte Processing	48-Byte Processing	80-Byte Processing
R_TSIP_Aes128EcbEncryptInit	1,300	1,300	1,300
R_TSIP_Aes128EcbEncryptUpdate	560	740	920
R_TSIP_Aes128EcbEncryptFinal	510	510	510
R_TSIP_Aes128EcbDecryptInit	1,300	1,300	1,300
R_TSIP_Aes128EcbDecryptUpdate	670	850	1,000
R_TSIP_Aes128EcbDecryptFinal	520	520	520
R_TSIP_Aes256EcbEncryptInit	1,500	1,600	1,600
R_TSIP_Aes256EcbEncryptUpdate	600	850	1,100
R_TSIP_Aes256EcbEncryptFinal	510	510	510
R_TSIP_Aes256EcbDecryptInit	1,600	1,600	1,600
R_TSIP_Aes256EcbDecryptUpdate	740	990	1,200
R_TSIP_Aes256EcbDecryptFinal	520	520	520
R_TSIP_Aes128CbcEncryptInit	1,300	1,300	1,300
R_TSIP_Aes128CbcEncryptUpdate	610	790	970
R_TSIP_Aes128CbcEncryptFinal	530	530	530
R_TSIP_Aes128CbcDecryptInit	1,300	1,300	1,300
R_TSIP_Aes128CbcDecryptUpdate	720	890	1,100
R_TSIP_Aes128CbcDecryptFinal	540	540	540
R_TSIP_Aes256CbcEncryptInit	1,600	1,600	1,600
R_TSIP_Aes256CbcEncryptUpdate	650	890	1,100
R_TSIP_Aes256CbcEncryptFinal	530	530	530
R_TSIP_Aes256CbcDecryptInit	1,600	1,600	1,600
R_TSIP_Aes256CbcDecryptUpdate	790	1,000	1,300
R_TSIP_Aes256CbcDecryptFinal	540	540	540

Table 1-21 Performance of AES-GCM

API	Performance (Unit: Cycle)		
	48-Byte Processing	64-Byte Processing	80-Byte Processing
R_TSIP_Aes128GcmEncryptInit	5,100	5,100	5,100
R_TSIP_Aes128GcmEncryptUpdate	2,600	3,100	3,600
R_TSIP_Aes128GcmEncryptFinal	1,200	1,200	1,200
R_TSIP_Aes128GcmDecryptInit	5,100	5,100	5,100
R_TSIP_Aes128GcmDecryptUpdate	2,200	2,300	2,400
R_TSIP_Aes128GcmDecryptFinal	2,000	2,000	2,000
R_TSIP_Aes256GcmEncryptInit	5,800	5,800	5,800
R_TSIP_Aes256GcmEncryptUpdate	2,700	3,200	3,700
R_TSIP_Aes256GcmEncryptFinal	1,300	1,300	1,300
R_TSIP_Aes256GcmDecryptInit	5,800	5,800	5,800
R_TSIP_Aes256GcmDecryptUpdate	2,300	2,400	2,500
R_TSIP_Aes256GcmDecryptFinal	2,000	2,000	2,000

Note: GCM performance was measured with parameters fixed as follows: ivec = 1,024 bits, AAD = 720 bits, and authentication tag = 128 bits.

Table 1-22 Performance of AES-CCM

API	Performance (Unit: Cycle)		
	48-Byte Processing	64-Byte Processing	80-Byte Processing
R_TSIP_Aes128CcmEncryptInit	2,500	2,500	2,500
R_TSIP_Aes128CcmEncryptUpdate	1,500	1,600	1,800
R_TSIP_Aes128CcmEncryptFinal	1,100	1,100	1,100
R_TSIP_Aes128CcmDecryptInit	2,300	2,300	2,300
R_TSIP_Aes128CcmDecryptUpdate	1,400	1,500	1,700
R_TSIP_Aes128CcmDecryptFinal	1,900	1,900	1,900
R_TSIP_Aes256CcmEncryptInit	2,800	2,800	2,800
R_TSIP_Aes256CcmEncryptUpdate	1,700	1,900	2,200
R_TSIP_Aes256CcmEncryptFinal	1,200	1,200	1,200
R_TSIP_Aes256CcmDecryptInit	2,800	2,800	2,800
R_TSIP_Aes256CcmDecryptUpdate	1,600	1,800	2,100
R_TSIP_Aes256CcmDecryptFinal	1,900	1,900	1,900

Note: CCM performance was measured with parameters fixed as follows: nonce = 104 bits, AAD = 880 bits, and MAC = 128 bits.

Table 1-23 Performance of AES-CMAC

API	Performance (Unit: Cycle)		
	48-Byte Processing	64-Byte Processing	80-Byte Processing
R_TSIP_Aes128CmacGenerateInit	870	870	870
R_TSIP_Aes128CmacGenerateUpdate	720	810	890
R_TSIP_Aes128CmacGenerateFinal	1,000	1,000	1,000
R_TSIP_Aes128CmacVerifyInit	880	880	880
R_TSIP_Aes128CmacVerifyUpdate	720	810	890
R_TSIP_Aes128CmacVerifyFinal	1,700	1,700	1,700
R_TSIP_Aes256CmacGenerateInit	1,200	1,200	1,200
R_TSIP_Aes256CmacGenerateUpdate	790	910	1,000
R_TSIP_Aes256CmacGenerateFinal	1,100	1,100	1,100
R_TSIP_Aes256CmacVerifyInit	1,200	1,200	1,200
R_TSIP_Aes256CmacVerifyUpdate	790	920	1,000
R_TSIP_Aes256CmacVerifyFinal	1,800	1,800	1,800

Table 1-24 Performance of AES Key Wrap

API	Performance (Unit: Cycle)	
	Wrap Target Key AES-128	Wrap Target Key AES-256
R_TSIP_Aes128KeyWrap	9,400	15,000
R_TSIP_Aes256KeyWrap	10,000	16,000
R_TSIP_Aes128KeyUnwrap	12,000	17,000
R_TSIP_Aes256KeyUnwrap	12,000	18,000

1.7.4 RX66T, RX72T

Table 1-25 Performance of Common APIs

API	Performance (Unit: Cycle)
R_TSIP_Open	7,400,000
R_TSIP_Close	280
R_TSIP_GetVersion	18
R_TSIP_GenerateAes128KeyIndex	3,900
R_TSIP_GenerateAes256KeyIndex	4,500
R_TSIP_GenerateAes128RandomKeyIndex	2,200
R_TSIP_GenerateAes256RandomKeyIndex	3,000
R_TSIP_GenerateRandomNumber	900
R_TSIP_GenerateUpdateKeyRingKeyIndex	4,500
R_TSIP_UpdateAes128KeyIndex	3,500
R_TSIP_UpdateAes256KeyIndex	4,000

Table 1-26 Firmware Verification Performance

API	Performance (Unit: Cycle)		
	2 KB Processing	4 KB Processing	6 KB Processing
R_TSIP_VerifyFirmwareMACInit	290	290	290
R_TSIP_VerifyFirmwareMACUpdate	11,000	23,000	34,000
R_TSIP_VerifyFirmwareMACFinal	26	26	26

Table 1-27 Performance of AES

API	Performance (Unit: Cycle)		
	16-Byte Processing	48-Byte Processing	80-Byte Processing
R_TSIP_Aes128EcbEncryptInit	1,300	1,300	1,300
R_TSIP_Aes128EcbEncryptUpdate	570	740	920
R_TSIP_Aes128EcbEncryptFinal	510	510	510
R_TSIP_Aes128EcbDecryptInit	1,300	1,300	1,300
R_TSIP_Aes128EcbDecryptUpdate	680	850	1,000
R_TSIP_Aes128EcbDecryptFinal	520	520	520
R_TSIP_Aes256EcbEncryptInit	1,600	1,600	1,600
R_TSIP_Aes256EcbEncryptUpdate	610	850	1,100
R_TSIP_Aes256EcbEncryptFinal	510	510	510
R_TSIP_Aes256EcbDecryptInit	1,600	1,600	1,600
R_TSIP_Aes256EcbDecryptUpdate	750	990	1,200
R_TSIP_Aes256EcbDecryptFinal	530	530	520
R_TSIP_Aes128CbcEncryptInit	1,300	1,300	1,300
R_TSIP_Aes128CbcEncryptUpdate	610	790	960
R_TSIP_Aes128CbcEncryptFinal	530	530	530
R_TSIP_Aes128CbcDecryptInit	1,300	1,300	1,300
R_TSIP_Aes128CbcDecryptUpdate	720	900	1,100
R_TSIP_Aes128CbcDecryptFinal	540	540	540
R_TSIP_Aes256CbcEncryptInit	1,600	1,600	1,600
R_TSIP_Aes256CbcEncryptUpdate	650	900	1,100
R_TSIP_Aes256CbcEncryptFinal	530	530	530
R_TSIP_Aes256CbcDecryptInit	1,600	1,600	1,600
R_TSIP_Aes256CbcDecryptUpdate	790	1,000	1,300
R_TSIP_Aes256CbcDecryptFinal	540	540	540

Table 1-28 Performance of AES-GCM

API	Performance (Unit: Cycle)		
	48-Byte Processing	64-Byte Processing	80-Byte Processing
R_TSIP_Aes128GcmEncryptInit	5,100	5,100	5,100
R_TSIP_Aes128GcmEncryptUpdate	2,600	3,100	3,600
R_TSIP_Aes128GcmEncryptFinal	1,200	1,200	1,200
R_TSIP_Aes128GcmDecryptInit	5,100	5,100	5,100
R_TSIP_Aes128GcmDecryptUpdate	2,200	2,300	2,400
R_TSIP_Aes128GcmDecryptFinal	2,000	2,000	2,000
R_TSIP_Aes256GcmEncryptInit	5,800	5,800	5,800
R_TSIP_Aes256GcmEncryptUpdate	2,700	3,200	3,700
R_TSIP_Aes256GcmEncryptFinal	1,300	1,300	1,300
R_TSIP_Aes256GcmDecryptInit	5,800	5,800	5,800
R_TSIP_Aes256GcmDecryptUpdate	2,300	2,400	2,600
R_TSIP_Aes256GcmDecryptFinal	2,100	2,100	2,100

Note: GCM performance was measured with parameters fixed as follows: ivec = 1,024 bits, AAD = 720 bits, and authentication tag = 128 bits.

Table 1-29 Performance of AES-CCM

API	Performance (Unit: Cycle)		
	48-Byte Processing	64-Byte Processing	80-Byte Processing
R_TSIP_Aes128CcmEncryptInit	2,500	2,500	2,500
R_TSIP_Aes128CcmEncryptUpdate	1,500	1,600	1,800
R_TSIP_Aes128CcmEncryptFinal	1,100	1,100	1,100
R_TSIP_Aes128CcmDecryptInit	2,200	2,200	2,200
R_TSIP_Aes128CcmDecryptUpdate	1,400	1,500	1,700
R_TSIP_Aes128CcmDecryptFinal	1,900	1,900	1,900
R_TSIP_Aes256CcmEncryptInit	2,800	2,800	2,800
R_TSIP_Aes256CcmEncryptUpdate	1,700	1,900	2,200
R_TSIP_Aes256CcmEncryptFinal	1,200	1,200	1,200
R_TSIP_Aes256CcmDecryptInit	2,800	2,800	2,800
R_TSIP_Aes256CcmDecryptUpdate	1,600	1,800	2,100
R_TSIP_Aes256CcmDecryptFinal	1,900	1,900	1,900

Note: CCM performance was measured with parameters fixed as follows: nonce = 104 bits, AAD = 880 bits, and MAC = 128 bits.

Table 1-30 Performance of AES-CMAC

API	Performance (Unit: Cycle)		
	48-Byte Processing	64-Byte Processing	80-Byte Processing
R_TSIP_Aes128CmacGenerateInit	880	880	880
R_TSIP_Aes128CmacGenerateUpdate	720	800	890
R_TSIP_Aes128CmacGenerateFinal	1,100	1,000	1,000
R_TSIP_Aes128CmacVerifyInit	870	880	880
R_TSIP_Aes128CmacVerifyUpdate	710	800	890
R_TSIP_Aes128CmacVerifyFinal	1,700	1,700	1,700
R_TSIP_Aes256CmacGenerateInit	1,200	1,200	1,200
R_TSIP_Aes256CmacGenerateUpdate	800	920	1,000
R_TSIP_Aes256CmacGenerateFinal	1,100	1,100	1,100
R_TSIP_Aes256CmacVerifyInit	1,200	1,200	1,200
R_TSIP_Aes256CmacVerifyUpdate	800	920	1,000
R_TSIP_Aes256CmacVerifyFinal	1,800	1,800	1,800

Table 1-31 Performance of AES Key Wrap

API	Performance (Unit: Cycle)	
	Wrap Target Key AES-128	Wrap Target Key AES-256
R_TSIP_Aes128KeyWrap	9,400	15,000
R_TSIP_Aes256KeyWrap	10,000	16,000
R_TSIP_Aes128KeyUnwrap	12,000	17,000
R_TSIP_Aes256KeyUnwrap	12,000	18,000

1.7.5 RX65N

Table 1-32 Performance of Common APIs

API	Performance (Unit: Cycle)
R_TSIP_Open	5,700,000
R_TSIP_Close	450
R_TSIP_GetVersion	32
R_TSIP_GenerateAes128KeyIndex	2,500
R_TSIP_GenerateAes256KeyIndex	2,700
R_TSIP_GenerateAes128RandomKeyIndex	1,400
R_TSIP_GenerateAes256RandomKeyIndex	2,000
R_TSIP_GenerateRandomNumber	640
R_TSIP_GenerateUpdateKeyRingKeyIndex	2,700
R_TSIP_UpdateAes128KeyIndex	2,200
R_TSIP_UpdateAes256KeyIndex	2,300

Table 1-33 Firmware Verification Performance

API	Performance (Unit: Cycle)		
	8 KB Processing	16 KB Processing	24 KB Processing
R_TSIP_VerifyFirmwareMACInit	230	230	230
R_TSIP_VerifyFirmwareMACUpdate	21,000	41,000	62,000
R_TSIP_VerifyFirmwareMACFinal	44	44	44

Table 1-34 Performance of AES

API	Performance (Unit: Cycle)		
	16-Byte Processing	48-Byte Processing	80-Byte Processing
R_TSIP_Aes128EcbEncryptInit	1,500	1,500	1,500
R_TSIP_Aes128EcbEncryptUpdate	500	640	820
R_TSIP_Aes128EcbEncryptFinal	430	430	430
R_TSIP_Aes128EcbDecryptInit	1,500	1,500	1,500
R_TSIP_Aes128EcbDecryptUpdate	570	710	890
R_TSIP_Aes128EcbDecryptFinal	450	450	450
R_TSIP_Aes256EcbEncryptInit	1,600	1,600	1,600
R_TSIP_Aes256EcbEncryptUpdate	510	660	840
R_TSIP_Aes256EcbEncryptFinal	440	440	440
R_TSIP_Aes256EcbDecryptInit	1,700	1,700	1,700
R_TSIP_Aes256EcbDecryptUpdate	580	730	910
R_TSIP_Aes256EcbDecryptFinal	460	460	460
R_TSIP_Aes128CbcEncryptInit	1,600	1,600	1,600
R_TSIP_Aes128CbcEncryptUpdate	570	710	890
R_TSIP_Aes128CbcEncryptFinal	460	460	460
R_TSIP_Aes128CbcDecryptInit	1,600	1,600	1,600
R_TSIP_Aes128CbcDecryptUpdate	630	770	950
R_TSIP_Aes128CbcDecryptFinal	470	470	470
R_TSIP_Aes256CbcEncryptInit	1,700	1,700	1,700
R_TSIP_Aes256CbcEncryptUpdate	590	740	920
R_TSIP_Aes256CbcEncryptFinal	480	480	480
R_TSIP_Aes256CbcDecryptInit	1,700	1,700	1,700
R_TSIP_Aes256CbcDecryptUpdate	650	800	980
R_TSIP_Aes256CbcDecryptFinal	490	490	490

Table 1-35 Performance of AES-GCM

API	Performance (Unit: Cycle)		
	48-Byte Processing	64-Byte Processing	80-Byte Processing
R_TSIP_Aes128GcmEncryptInit	5,400	5,400	5,400
R_TSIP_Aes128GcmEncryptUpdate	2,000	2,100	2,200
R_TSIP_Aes128GcmEncryptFinal	1,300	1,300	1,300
R_TSIP_Aes128GcmDecryptInit	5,200	5,200	5,200
R_TSIP_Aes128GcmDecryptUpdate	2,000	2,100	2,200
R_TSIP_Aes128GcmDecryptFinal	1,900	1,900	1,900
R_TSIP_Aes256GcmEncryptInit	5,300	5,300	5,300
R_TSIP_Aes256GcmEncryptUpdate	2,000	2,200	2,200
R_TSIP_Aes256GcmEncryptFinal	980	980	980
R_TSIP_Aes256GcmDecryptInit	5,300	5,300	5,300
R_TSIP_Aes256GcmDecryptUpdate	2,000	2,100	2,200
R_TSIP_Aes256GcmDecryptFinal	1,500	1,500	1,500

Note: GCM performance was measured with parameters fixed as follows: ivec = 1,024 bits, AAD = 720 bits, and authentication tag = 128 bits.

Table 1-36 Performance of AES-CCM

API	Performance (Unit: Cycle)		
	48-Byte Processing	64-Byte Processing	80-Byte Processing
R_TSIP_Aes128CcmEncryptInit	2,900	2,900	2,900
R_TSIP_Aes128CcmEncryptUpdate	1,100	1,200	1,300
R_TSIP_Aes128CcmEncryptFinal	900	900	900
R_TSIP_Aes128CcmDecryptInit	3,000	3,000	3,000
R_TSIP_Aes128CcmDecryptUpdate	1,000	1,100	1,200
R_TSIP_Aes128CcmDecryptFinal	1,500	1,500	1,500
R_TSIP_Aes256CcmEncryptInit	2,300	2,300	2,300
R_TSIP_Aes256CcmEncryptUpdate	1,100	1,200	1,300
R_TSIP_Aes256CcmEncryptFinal	950	950	950
R_TSIP_Aes256CcmDecryptInit	2,300	2,300	2,300
R_TSIP_Aes256CcmDecryptUpdate	1,100	1,200	1,200
R_TSIP_Aes256CcmDecryptFinal	1,600	1,600	1,600

Note: CCM performance was measured with parameters fixed as follows: nonce = 104 bits, AAD = 880 bits, and MAC = 128 bits.

Table 1-37 Performance of AES-CMAC

API	Performance (Unit: Cycle)		
	48-Byte Processing	64-Byte Processing	80-Byte Processing
R_TSIP_Aes128CmacGenerateInit	1,100	1,100	1,100
R_TSIP_Aes128CmacGenerateUpdate	630	670	720
R_TSIP_Aes128CmacGenerateFinal	780	780	780
R_TSIP_Aes128CmacVerifyInit	1,100	1,100	1,100
R_TSIP_Aes128CmacVerifyUpdate	640	680	730
R_TSIP_Aes128CmacVerifyFinal	1,400	1,400	1,400
R_TSIP_Aes256CmacGenerateInit	1,300	1,300	1,300
R_TSIP_Aes256CmacGenerateUpdate	680	720	770
R_TSIP_Aes256CmacGenerateFinal	800	800	800
R_TSIP_Aes256CmacVerifyInit	1,300	1,300	1,300
R_TSIP_Aes256CmacVerifyUpdate	670	720	760
R_TSIP_Aes256CmacVerifyFinal	1,400	1,400	1,400

Table 1-38 Performance of AES Key Wrap

API	Performance (Unit: Cycle)	
	Wrap Target Key AES-128	Wrap Target Key AES-256
R_TSIP_Aes128KeyWrap	6,800y	11,000
R_TSIP_Aes256KeyWrap	7,100	11,000
R_TSIP_Aes128KeyUnwrap	7,700	12,000
R_TSIP_Aes256KeyUnwrap	8,000	12,000

Table 1-39 Performance of Common APIs (TDES Wrapped Key Generation)

API	Performance (Unit: Cycle)
R_TSIP_GenerateTdesKeyIndex	2,700
R_TSIP_GenerateTdesRandomKeyIndex	2,000
R_TSIP_UpdateTdesKeyIndex	2,300

Table 1-40 Performance of TDES

API	Performance (Unit: Cycle)		
	16-Byte Processing	48-Byte Processing	80-Byte Processing
R_TSIP_TdesEcbEncryptInit	990	990	990
R_TSIP_TdesEcbEncryptUpdate	550	790	1,000
R_TSIP_TdesEcbEncryptFinal	430	430	430
R_TSIP_TdesEcbDecryptInit	1,000	1,000	1,000
R_TSIP_TdesEcbDecryptUpdate	570	810	1,100
R_TSIP_TdesEcbDecryptFinal	450	450	450
R_TSIP_TdesCbcEncryptInit	1,100	1,100	1,100
R_TSIP_TdesCbcEncryptUpdate	610	850	1,100
R_TSIP_TdesCbcEncryptFinal	470	470	470
R_TSIP_TdesCbcDecryptInit	1,100	1,100	1,100
R_TSIP_TdesCbcDecryptUpdate	630	880	1,100
R_TSIP_TdesCbcDecryptFinal	490	480	490

Table 1-41 Performance of Common APIs (ARC4 Wrapped Key Generation)

API	Performance (Unit: Cycle)
R_TSIP_GenerateArc4KeyIndex	4,400
R_TSIP_GenerateArc4RandomKeyIndex	10,000
R_TSIP_UpdateArc4KeyIndex	4,100

Table 1-42 Performance of ARC4

API	Performance (Unit: Cycle)		
	16-Byte Processing	48-Byte Processing	80-Byte Processing
R_TSIP_Arc4EncryptInit	2,100	2,100	2,100
R_TSIP_Arc4EncryptUpdate	480	610	790
R_TSIP_Arc4EncryptFinal	330	330	330
R_TSIP_Arc4DecryptInit	2,100	2,100	2,100
R_TSIP_Arc4DecryptUpdate	470	610	790
R_TSIP_Arc4DecryptFinal	330	330	330

Table 1-43 Performance of Common APIs (RSA Wrapped Key Generation)

API	Performance (Unit: Cycle)
R_TSIP_GenerateRsa1024PublicKeyIndex	37,000
R_TSIP_GenerateRsa1024PrivateKeyIndex	39,000
R_TSIP_GenerateRsa2048PublicKeyIndex	140,000
R_TSIP_GenerateRsa2048PrivateKeyIndex	140,000
R_TSIP_GenerateRsa1024RandomKeyIndex* ¹	43,000,000
R_TSIP_GenerateRsa2048RandomKeyIndex* ¹	370,000,000
R_TSIP_UpdateRsa1024PublicKeyIndex	37,000
R_TSIP_UpdateRsa1024PrivateKeyIndex	38,000
R_TSIP_UpdateRsa2048PublicKeyIndex	140,000
R_TSIP_UpdateRsa2048PrivateKeyIndex	140,000

Note: 1. Average value over 10 runs.

Table 1-44 Performance of RSASSA-PKCS1-v1_5 Signature Generation/Verification (HASH = SHA1)

API	Performance (Unit: Cycle)		
	Message Size = 1 Byte	Message Size = 128 Bytes	Message Size = 256 Bytes
R_TSIP_RsassaPkcs1024SignatureGenerate	1,300,000	1,300,000	1,300,000
R_TSIP_RsassaPkcs1024SignatureVerification	17,000	19,000	19,000
R_TSIP_RsassaPkcs2048SignatureGenerate	26,000,000	26,000,000	26,000,000
R_TSIP_RsassaPkcs2048SignatureVerification	140,000	140,000	140,000

Table 1-45 Performance of RSASSA-PKCS1-v1_5 Signature Generation/Verification (HASH = SHA256)

API	Performance (Unit: Cycle)		
	Message Size = 1 Byte	Message Size = 128 Bytes	Message Size = 256 Bytes
R_TSIP_RsassaPkcs1024SignatureGenerate	1,300,000	1,300,000	1,300,000
R_TSIP_RsassaPkcs1024SignatureVerification	17,000	19,000	19,000
R_TSIP_RsassaPkcs2048SignatureGenerate	26,000,000	26,000,000	26,000,000
R_TSIP_RsassaPkcs2048SignatureVerification	140,000	140,000	140,000

Table 1-46 Performance of RSASSA-PKCS1-v1_5 Signature Generation/Verification (HASH = MD5)

API	Performance (Unit: Cycle)		
	Message Size = 1 Byte	Message Size = 128 Bytes	Message Size = 256 Bytes
R_TSIP_RsassaPkcs1024SignatureGenerate	1,300,000	1,300,000	1,300,000
R_TSIP_RsassaPkcs1024SignatureVerification	17,000	19,000	19,000
R_TSIP_RsassaPkcs2048SignatureGenerate	26,000,000	26,000,000	26,000,000
R_TSIP_RsassaPkcs2048SignatureVerification	140,000	140,000	140,000

Table 1-47 Performance of RSAES-PKCS1-v1_5 Encryption/Decryption with 1024-Bit Key Size

API	Performance (Unit: Cycle)	
	Message Size = 1 Byte	Message Size = 117 Bytes
R_TSIP_RsaesPkcs1024Encrypt	22,000	17,000
R_TSIP_RsaesPkcs1024Decrypt	1,300,000	1,300,000

Table 1-48 Performance of RSAES-PKCS1-v1_5 Encryption/Decryption with 2048-Bit Key Size

API	Performance (Unit: Cycle)	
	Message Size = 1 Byte	Message Size = 245 Bytes
R_TSIP_RsaesPkcs2048Encrypt	150,000	140,000
R_TSIP_RsaesPkcs2048Decrypt	26,000,000	26,000,000

Table 1-49 Performance of RSAES-OAEP Encryption/Decryption with 1024-Bit Key Size

API	Performance (Unit: Cycle)	
	Message Size = 1 Byte	Message Size = 62 Bytes
R_TSIP_RsaesOaep1024Encrypt	26,000	26,000
R_TSIP_RsaesOaep1024Decrypt	1,300,000	1,300,000

Table 1-50 Performance of RSAES-OAEP Encryption/Decryption with 2048-Bit Key Size

API	Performance (Unit: Cycle)	
	Message Size = 1 Byte	Message Size = 190 Bytes
R_TSIP_RsaesOaep2048Encrypt	150,000	150,000
R_TSIP_RsaesOaep2048Decrypt	26,000,000	26,000,000

Table 1-51 Performance of HASH (SHA1)

API	Performance (Unit: Cycle)		
	128-Byte Processing	192-Byte Processing	256-Byte Processing
R_TSIP_Sha1Init	120	120	120
R_TSIP_Sha1Update	1,500	1,700	2,000
R_TSIP_Sha1Final	810	810	810

Table 1-52 Performance of HASH (SHA256)

API	Performance (Unit: Cycle)		
	128-Byte Processing	192-Byte Processing	256-Byte Processing
R_TSIP_Sha256Init	140	140	140
R_TSIP_Sha256Update	1,600	1,800	2,000
R_TSIP_Sha256Final	840	840	840

Table 1-53 Performance of HASH (MD5)

API	Performance (Unit: Cycle)		
	128-Byte Processing	192-Byte Processing	256-Byte Processing
R_TSIP_Md5Init	110	110	110
R_TSIP_Md5Update	1,400	1,600	1,800
R_TSIP_Md5Final	770	770	770

Table 1-54 Performance of Common APIs (HMAC Wrapped Key Generation)

API	Performance (Unit: Cycle)
R_TSIP_GenerateSha1HmacKeyIndex	2,800
R_TSIP_GenerateSha256HmacKeyIndex	2,800
R_TSIP_UpdateSha1HmacKeyIndex	2,500
R_TSIP_UpdateSha256HmacKeyIndex	2,500

Table 1-55 Performance of HMAC (SHA1)

API	Performance (Unit: Cycle)		
	128-Byte Processing	192-Byte Processing	256-Byte Processing
R_TSIP_Sha1HmacGenerateInit	1,300	1,300	1,300
R_TSIP_Sha1HmacGenerateUpdate	970	1,200	1,500
R_TSIP_Sha1HmacGenerateFinal	1,900	1,900	1,900
R_TSIP_Sha1HmacVerifyInit	1,300	1,300	1,300
R_TSIP_Sha1HmacVerifyUpdate	970	1,200	1,400
R_TSIP_Sha1HmacVerifyFinal	2,900	2,900	2,900

Table 1-56 Performance of HMAC (SHA256)

API	Performance (Unit: Cycle)		
	128-Byte Processing	192-Byte Processing	256-Byte Processing
R_TSIP_Sha256HmacGenerateInit	1,800	1,800	1,800
R_TSIP_Sha256HmacGenerateUpdate	910	1,100	1,300
R_TSIP_Sha256HmacGenerateFinal	1,900	1,900	1,900
R_TSIP_Sha256HmacVerifyInit	1,800	1,800	1,800
R_TSIP_Sha256HmacVerifyUpdate	910	1,100	1,300
R_TSIP_Sha256HmacVerifyFinal	2,900	2,900	2,900

Table 1-57 Performance of Common APIs (ECC Wrapped Key Generation)

API	Performance (Unit: Cycle)
R_TSIP_GenerateEccP192PublicKeyIndex	3,200
R_TSIP_GenerateEccP224PublicKeyIndex	3,200
R_TSIP_GenerateEccP256PublicKeyIndex	3,200
R_TSIP_GenerateEccP384PublicKeyIndex	3,300
R_TSIP_GenerateEccP192PrivateKeyIndex	2,800
R_TSIP_GenerateEccP224PrivateKeyIndex	2,800
R_TSIP_GenerateEccP256PrivateKeyIndex	2,800
R_TSIP_GenerateEccP384PrivateKeyIndex	2,800
R_TSIP_GenerateEccP192RandomKeyIndex*1	140,000
R_TSIP_GenerateEccP224RandomKeyIndex*1	150,000
R_TSIP_GenerateEccP256RandomKeyIndex*1	150,000
R_TSIP_GenerateEccP384RandomKeyIndex*1	1,100,000
R_TSIP_UpdateEccP192PublicKeyIndex	2,800
R_TSIP_UpdateEccP224PublicKeyIndex	2,800
R_TSIP_UpdateEccP256PublicKeyIndex	2,800
R_TSIP_UpdateEccP384PublicKeyIndex	3,000
R_TSIP_UpdateEccP192PrivateKeyIndex	2,500
R_TSIP_UpdateEccP224PrivateKeyIndex	2,500
R_TSIP_UpdateEccP256PrivateKeyIndex	2,500
R_TSIP_UpdateEccP384PrivateKeyIndex	2,500

Note: 1. Average value over 10 runs.

Table 1-58 Performance of ECDSA Signature Generation/Verification

API	Performance (Unit: Cycle)		
	Message Size = 1 Byte	Message Size = 128 Bytes	Message Size = 256 Bytes
R_TSIP_EcdsaP192SignatureGenerate	180,000	170,000	180,000
R_TSIP_EcdsaP224SignatureGenerate	180,000	180,000	180,000
R_TSIP_EcdsaP256SignatureGenerate	180,000	180,000	180,000
R_TSIP_EcdsaP384SignatureGenerate*1	1,200,000		
R_TSIP_EcdsaP192SignatureVerification	320,000	330,000	330,000
R_TSIP_EcdsaP224SignatureVerification	350,000	350,000	350,000
R_TSIP_EcdsaP256SignatureVerification	350,000	350,000	360,000
R_TSIP_EcdsaP384SignatureVerification*1	2,200,000		

Note: 1. Does not include SHA384 calculation.

Table 1-59 Key Exchange Performance

API	Performance (Unit: Cycle)
R_TSIP_EcdhP256Init	56
R_TSIP_EcdhP256ReadPublicKey	360,000
R_TSIP_EcdhP256MakePublicKey	330,000
R_TSIP_EcdhP256CalculateSharedSecretIndex	380,000
R_TSIP_EcdhP256KeyDerivation	3,700
R_TSIP_EcdhP256SshKeyDerivation	51,000
R_TSIP_EcdheP512KeyAgreement	3,300,000
R_TSIP_Rsa2048DhKeyAgreement	53,000,000

Note: Key exchange performance (excluding KeyAgreement) was measured with parameters fixed as follows: key exchange format = ECDHE and derived key type = AES-128.

1.7.6 RX671

Table 1-60 Performance of Common APIs

API	Performance (Unit: Cycle)
R_TSIP_Open	5,400,000
R_TSIP_Close	300
R_TSIP_GetVersion	24
R_TSIP_GenerateAes128KeyIndex	2,000
R_TSIP_GenerateAes256KeyIndex	2,100
R_TSIP_GenerateAes128RandomKeyIndex	1,200
R_TSIP_GenerateAes256RandomKeyIndex	1,600
R_TSIP_GenerateRandomNumber	520
R_TSIP_GenerateUpdateKeyRingKeyIndex	2,200
R_TSIP_UpdateAes128KeyIndex	1,800
R_TSIP_UpdateAes256KeyIndex	1,900

Table 1-61 Firmware Verification Performance

API	Performance (Unit: Cycle)		
	8 KB Processing	16 KB Processing	24 KB Processing
R_TSIP_VerifyFirmwareMACInit	160	150	150
R_TSIP_VerifyFirmwareMACUpdate	16,000	33,000	49,000
R_TSIP_VerifyFirmwareMACFinal	26	26	26

Table 1-62 Performance of AES

API	Performance (Unit: Cycle)		
	16-Byte Processing	48-Byte Processing	80-Byte Processing
R_TSIP_Aes128EcbEncryptInit	1,200	1,200	1,200
R_TSIP_Aes128EcbEncryptUpdate	380	490	620
R_TSIP_Aes128EcbEncryptFinal	320	310	310
R_TSIP_Aes128EcbDecryptInit	1,200	1,200	1,200
R_TSIP_Aes128EcbDecryptUpdate	450	560	690
R_TSIP_Aes128EcbDecryptFinal	320	320	320
R_TSIP_Aes256EcbEncryptInit	1,300	1,300	1,300
R_TSIP_Aes256EcbEncryptUpdate	410	510	650
R_TSIP_Aes256EcbEncryptFinal	320	310	320
R_TSIP_Aes256EcbDecryptInit	1,300	1,300	1,300
R_TSIP_Aes256EcbDecryptUpdate	470	580	710
R_TSIP_Aes256EcbDecryptFinal	330	330	330
R_TSIP_Aes128CbcEncryptInit	1,200	1,200	1,200
R_TSIP_Aes128CbcEncryptUpdate	440	550	680
R_TSIP_Aes128CbcEncryptFinal	330	330	330
R_TSIP_Aes128CbcDecryptInit	1,200	1,200	1,200
R_TSIP_Aes128CbcDecryptUpdate	490	600	730
R_TSIP_Aes128CbcDecryptFinal	340	340	340
R_TSIP_Aes256CbcEncryptInit	1,300	1,300	1,300
R_TSIP_Aes256CbcEncryptUpdate	450	560	700
R_TSIP_Aes256CbcEncryptFinal	340	340	340
R_TSIP_Aes256CbcDecryptInit	1,300	1,300	1,300
R_TSIP_Aes256CbcDecryptUpdate	520	640	770
R_TSIP_Aes256CbcDecryptFinal	350	350	350

Table 1-63 Performance of AES-GCM

API	Performance (Unit: Cycle)		
	48-Byte Processing	64-Byte Processing	80-Byte Processing
R_TSIP_Aes128GcmEncryptInit	4,100	4,100	4,100
R_TSIP_Aes128GcmEncryptUpdate	1,500	1,600	1,700
R_TSIP_Aes128GcmEncryptFinal	1,000	1,000	1,000
R_TSIP_Aes128GcmDecryptInit	4,000	4,000	4,000
R_TSIP_Aes128GcmDecryptUpdate	1,500	1,600	1,700
R_TSIP_Aes128GcmDecryptFinal	1,400	1,400	1,400
R_TSIP_Aes256GcmEncryptInit	4,100	4,100	4,100
R_TSIP_Aes256GcmEncryptUpdate	1,600	1,600	1,700
R_TSIP_Aes256GcmEncryptFinal	760	760	760
R_TSIP_Aes256GcmDecryptInit	4,100	4,100	4,100
R_TSIP_Aes256GcmDecryptUpdate	1,600	1,600	1,700
R_TSIP_Aes256GcmDecryptFinal	1,200	1,200	1,200

Note: GCM performance was measured with parameters fixed as follows: ivec = 1,024 bits, AAD = 720 bits, and authentication tag = 128 bits.

Table 1-64 Performance of AES-CCM

API	Performance (Unit: Cycle)		
	48-Byte Processing	64-Byte Processing	80-Byte Processing
R_TSIP_Aes128CcmEncryptInit	2,200	2,200	2,200
R_TSIP_Aes128CcmEncryptUpdate	880	960	1,000
R_TSIP_Aes128CcmEncryptFinal	700	690	690
R_TSIP_Aes128CcmDecryptInit	2,300	2,300	2,300
R_TSIP_Aes128CcmDecryptUpdate	790	860	940
R_TSIP_Aes128CcmDecryptFinal	1,100	1,100	1,100
R_TSIP_Aes256CcmEncryptInit	1,900	1,800	1,800
R_TSIP_Aes256CcmEncryptUpdate	930	1,000	1,100
R_TSIP_Aes256CcmEncryptFinal	740	740	740
R_TSIP_Aes256CcmDecryptInit	1,900	1,800	1,800
R_TSIP_Aes256CcmDecryptUpdate	840	930	1,000
R_TSIP_Aes256CcmDecryptFinal	1,200	1,200	1,200

Note: CCM performance was measured with parameters fixed as follows: nonce = 104 bits, AAD = 880 bits, and MAC = 128 bits.

Table 1-65 Performance of AES-CMAC

API	Performance (Unit: Cycle)		
	48-Byte Processing	64-Byte Processing	80-Byte Processing
R_TSIP_Aes128CmacGenerateInit	850	850	850
R_TSIP_Aes128CmacGenerateUpdate	490	520	560
R_TSIP_Aes128CmacGenerateFinal	610	590	590
R_TSIP_Aes128CmacVerifyInit	850	850	850
R_TSIP_Aes128CmacVerifyUpdate	480	510	550
R_TSIP_Aes128CmacVerifyFinal	1,000	1,000	1,000
R_TSIP_Aes256CmacGenerateInit	980	960	960
R_TSIP_Aes256CmacGenerateUpdate	510	540	590
R_TSIP_Aes256CmacGenerateFinal	620	600	600
R_TSIP_Aes256CmacVerifyInit	960	960	960
R_TSIP_Aes256CmacVerifyUpdate	500	540	590
R_TSIP_Aes256CmacVerifyFinal	1,000	1,000	1,000

Table 1-66 Performance of AES Key Wrap

API	Performance (Unit: Cycle)	
	Wrap Target Key AES-128	Wrap Target Key AES-256
R_TSIP_Aes128KeyWrap	5,400	8,600
R_TSIP_Aes256KeyWrap	5,600	8,900
R_TSIP_Aes128KeyUnwrap	6,200	9,300
R_TSIP_Aes256KeyUnwrap	6,400	9,600

Table 1-67 Performance of Common APIs (TDES Wrapped Key Generation)

API	Performance (Unit: Cycle)
R_TSIP_GenerateTdesKeyIndex	2,200
R_TSIP_GenerateTdesRandomKeyIndex	1,600
R_TSIP_UpdateTdesKeyIndex	1,900

Table 1-68 Performance of TDES

API	Performance (Unit: Cycle)		
	16-Byte Processing	48-Byte Processing	80-Byte Processing
R_TSIP_TdesEcbEncryptInit	760	750	750
R_TSIP_TdesEcbEncryptUpdate	420	610	810
R_TSIP_TdesEcbEncryptFinal	320	300	300
R_TSIP_TdesEcbDecryptInit	770	770	770
R_TSIP_TdesEcbDecryptUpdate	440	640	830
R_TSIP_TdesEcbDecryptFinal	320	320	320
R_TSIP_TdesCbcEncryptInit	810	810	810
R_TSIP_TdesCbcEncryptUpdate	470	670	870
R_TSIP_TdesCbcEncryptFinal	330	330	330
R_TSIP_TdesCbcDecryptInit	820	820	820
R_TSIP_TdesCbcDecryptUpdate	490	690	890
R_TSIP_TdesCbcDecryptFinal	330	330	330

Table 1-69 Performance of Common APIs (ARC4 Wrapped Key Generation)

API	Performance (Unit: Cycle)
R_TSIP_GenerateArc4KeyIndex	3,900
R_TSIP_GenerateArc4RandomKeyIndex	8,400
R_TSIP_UpdateArc4KeyIndex	3,600

Table 1-70 Performance of ARC4

API	Performance (Unit: Cycle)		
	16-Byte Processing	48-Byte Processing	80-Byte Processing
R_TSIP_Arc4EncryptInit	1,700	1,700	1,700
R_TSIP_Arc4EncryptUpdate	360	470	600
R_TSIP_Arc4EncryptFinal	240	230	230
R_TSIP_Arc4DecryptInit	1,700	1,700	1,700
R_TSIP_Arc4DecryptUpdate	350	470	600
R_TSIP_Arc4DecryptFinal	230	230	230

Table 1-71 Performance of Common APIs (RSA Wrapped Key Generation)

API	Performance (Unit: Cycle)
R_TSIP_GenerateRsa1024PublicKeyIndex	37,000
R_TSIP_GenerateRsa1024PrivateKeyIndex	38,000
R_TSIP_GenerateRsa2048PublicKeyIndex	140,000
R_TSIP_GenerateRsa2048PrivateKeyIndex	140,000
R_TSIP_GenerateRsa1024RandomKeyIndex* ¹	53,000,000
R_TSIP_GenerateRsa2048RandomKeyIndex* ¹	350,000,000
R_TSIP_UpdateRsa1024PublicKeyIndex	36,000
R_TSIP_UpdateRsa1024PrivateKeyIndex	37,000
R_TSIP_UpdateRsa2048PublicKeyIndex	140,000
R_TSIP_UpdateRsa2048PrivateKeyIndex	140,000

Note: 1. Average value over 10 runs.

Table 1-72 Performance of RSASSA-PKCS1-v1_5 Signature Generation/Verification (HASH = SHA1)

API	Performance (Unit: Cycle)		
	Message Size = 1 Byte	Message Size = 128 Bytes	Message Size = 256 Bytes
R_TSIP_RsassaPkcs1024SignatureGenerate	1,200,000	1,200,000	1,200,000
R_TSIP_RsassaPkcs1024SignatureVerification	16,000	17,000	18,000
R_TSIP_RsassaPkcs2048SignatureGenerate	26,000,000	26,000,000	26,000,000
R_TSIP_RsassaPkcs2048SignatureVerification	130,000	130,000	140,000

Table 1-73 Performance of RSASSA-PKCS1-v1_5 Signature Generation/Verification (HASH = SHA256)

API	Performance (Unit: Cycle)		
	Message Size = 1 Byte	Message Size = 128 Bytes	Message Size = 256 Bytes
R_TSIP_RsassaPkcs1024SignatureGenerate	1,200,000	1,200,000	1,200,000
R_TSIP_RsassaPkcs1024SignatureVerification	16,000	17,000	18,000
R_TSIP_RsassaPkcs2048SignatureGenerate	26,000,000	26,000,000	26,000,000
R_TSIP_RsassaPkcs2048SignatureVerification	130,000	130,000	140,000

Table 1-74 Performance of RSASSA-PKCS1-v1_5 Signature Generation/Verification (HASH = MD5)

API	Performance (Unit: Cycle)		
	Message Size = 1 Byte	Message Size = 128 Bytes	Message Size = 256 Bytes
R_TSIP_RsassaPkcs1024SignatureGenerate	1,200,000	1,200,000	1,200,000
R_TSIP_RsassaPkcs1024SignatureVerification	16,000	17,000	17,000
R_TSIP_RsassaPkcs2048SignatureGenerate	26,000,000	26,000,000	26,000,000
R_TSIP_RsassaPkcs2048SignatureVerification	130,000	130,000	140,000

Table 1-75 Performance of RSAES-PKCS1-v1_5 Encryption/Decryption with 1024-Bit Key Size

API	Performance (Unit: Cycle)	
	Message Size = 1 Byte	Message Size = 117 Bytes
R_TSIP_RsaesPkcs1024Encrypt	20,000	15,000
R_TSIP_RsaesPkcs1024Decrypt	1,200,000	1,200,000

Table 1-76 Performance of RSAES-PKCS1-v1_5 Encryption/Decryption with 2048-Bit Key Size

API	Performance (Unit: Cycle)	
	Message Size = 1 Byte	Message Size = 245 Bytes
R_TSIP_RsaesPkcs2048Encrypt	140,000	130,000
R_TSIP_RsaesPkcs2048Decrypt	26,000,000	26,000,000

Table 1-77 Performance of RSAES-OAEP Encryption/Decryption with 1024-Bit Key Size

API	Performance (Unit: Cycle)	
	Message Size = 1 Byte	Message Size = 62 Bytes
R_TSIP_RsaesOaep1024Encrypt	23,000	23,000
R_TSIP_RsaesOaep1024Decrypt	1,200,000	1,200,000

Table 1-78 Performance of RSAES-OAEP Encryption/Decryption with 2048-Bit Key Size

API	Performance (Unit: Cycle)	
	Message Size = 1 Byte	Message Size = 190 Bytes
R_TSIP_RsaesPkcs2048Encrypt	140,000	140,000
R_TSIP_RsaesPkcs2048Decrypt	26,000,000	26,000,000

Table 1-79 Performance of HASH (SHA1)

API	Performance (Unit: Cycle)		
	128-Byte Processing	192-Byte Processing	256-Byte Processing
R_TSIP_Sha1Init	100	100	100
R_TSIP_Sha1Update	1,200	1,400	1,600
R_TSIP_Sha1Final	660	660	660

Table 1-80 Performance of HASH (SHA256)

API	Performance (Unit: Cycle)		
	128-Byte Processing	192-Byte Processing	256-Byte Processing
R_TSIP_Sha256Init	110	110	110
R_TSIP_Sha256Update	1,200	1,400	1,600
R_TSIP_Sha256Final	670	660	670

Table 1-81 Performance of HASH (MD5)

API	Performance (Unit: Cycle)		
	128-Byte Processing	192-Byte Processing	256-Byte Processing
R_TSIP_Md5Init	98	96	96
R_TSIP_Md5Update	1,100	1,300	1,500
R_TSIP_Md5Final	620	620	620

Table 1-82 Performance of Common APIs (HMAC Wrapped Key Generation)

API	Performance (Unit: Cycle)
R_TSIP_GenerateSha1HmacKeyIndex	2,300
R_TSIP_GenerateSha256HmacKeyIndex	2,300
R_TSIP_UpdateSha1HmacKeyIndex	2,000
R_TSIP_UpdateSha256HmacKeyIndex	2,000

Table 1-83 Performance of HMAC (SHA1)

API	Performance (Unit: Cycle)		
	128-Byte Processing	192-Byte Processing	256-Byte Processing
R_TSIP_Sha1HmacGenerateInit	1,000	1,000	1,000
R_TSIP_Sha1HmacGenerateUpdate	780	990	1,200
R_TSIP_Sha1HmacGenerateFinal	1,500	1,500	1,500
R_TSIP_Sha1HmacVerifyInit	1,000	1,000	1,000
R_TSIP_Sha1HmacVerifyUpdate	790	1,000	1,200
R_TSIP_Sha1HmacVerifyFinal	2,200	2,200	2,200

Table 1-84 Performance of HMAC (SHA256)

API	Performance (Unit: Cycle)		
	128-Byte Processing	192-Byte Processing	256-Byte Processing
R_TSIP_Sha256HmacGenerateInit	1,400	1,300	1,300
R_TSIP_Sha256HmacGenerateUpdate	730	900	1,100
R_TSIP_Sha256HmacGenerateFinal	1,500	1,500	1,500
R_TSIP_Sha256HmacVerifyInit	1,300	1,300	1,300
R_TSIP_Sha256HmacVerifyUpdate	730	900	1,100
R_TSIP_Sha256HmacVerifyFinal	2,200	2,200	2,200

Table 1-85 Performance of Common APIs (ECC Wrapped Key Generation)

API	Performance (Unit: Cycle)
R_TSIP_GenerateEccP192PublicKeyIndex	2,600
R_TSIP_GenerateEccP224PublicKeyIndex	2,500
R_TSIP_GenerateEccP256PublicKeyIndex	2,500
R_TSIP_GenerateEccP384PublicKeyIndex	2,700
R_TSIP_GenerateEccP192PrivateKeyIndex	2,300
R_TSIP_GenerateEccP224PrivateKeyIndex	2,300
R_TSIP_GenerateEccP256PrivateKeyIndex	2,300
R_TSIP_GenerateEccP384PrivateKeyIndex	2,300
R_TSIP_GenerateEccP192RandomKeyIndex* ¹	130,000
R_TSIP_GenerateEccP224RandomKeyIndex* ¹	140,000
R_TSIP_GenerateEccP256RandomKeyIndex* ¹	140,000
R_TSIP_GenerateEccP384RandomKeyIndex* ¹	1,000,000
R_TSIP_UpdateEccP192PublicKeyIndex	2,300
R_TSIP_UpdateEccP224PublicKeyIndex	2,300
R_TSIP_UpdateEccP256PublicKeyIndex	2,300
R_TSIP_UpdateEccP384PublicKeyIndex	2,500
R_TSIP_UpdateEccP192PrivateKeyIndex	2,000
sR_TSIP_UpdateEccP224PrivateKeyIndex	2,000
R_TSIP_UpdateEccP256PrivateKeyIndex	2,000
R_TSIP_UpdateEccP384PrivateKeyIndex	2,000

Note: 1. Average value over 10 runs.

Table 1-86 Performance of ECDSA Signature Generation/Verification

API	Performance (Unit: Cycle)		
	Message Size = 1 Byte	Message Size = 128 Bytes	Message Size = 256 Bytes
R_TSIP_EcdsaP192SignatureGenerate	160,000	160,000	160,000
R_TSIP_EcdsaP224SignatureGenerate	160,000	160,000	160,000
R_TSIP_EcdsaP256SignatureGenerate	170,000	170,000	170,000
R_TSIP_EcdsaP384SignatureGenerate* ¹	1,100,000		
R_TSIP_EcdsaP192SignatureVerification	300,000	310,000	300,000
R_TSIP_EcdsaP224SignatureVerification	320,000	330,000	330,000
R_TSIP_EcdsaP256SignatureVerification	320,000	330,000	330,000
R_TSIP_EcdsaP384SignatureVerification* ¹	2,100,000		

Note: 1. Does not include SHA384 calculation.

Table 1-87 Key Exchange Performance

API	Performance (Unit: Cycle)
R_TSIP_EcdhP256Init	40
R_TSIP_EcdhP256ReadPublicKey	330,000
R_TSIP_EcdhP256MakePublicKey	310,000
R_TSIP_EcdhP256CalculateSharedSecretIndex	350,000
R_TSIP_EcdhP256KeyDerivation	2,900
R_TSIP_EcdhP256SshKeyDerivation	39,000
R_TSIP_EcdheP512KeyAgreement	3,200,000
R_TSIP_Rsa2048DhKeyAgreement	52,000,000

Note: Key exchange performance (excluding KeyAgreement) was measured with parameters fixed as follows: key exchange format = ECDHE and derived key type = AES-128.

1.7.7 RX72M, RX72N

Table 1-88 Performance of Common APIs

API	Performance (Unit: Cycle)
R_TSIP_Open	6,300,000
R_TSIP_Close	290
R_TSIP_GetVersion	18
R_TSIP_GenerateAes128KeyIndex	2,100
R_TSIP_GenerateAes256KeyIndex	2,300
R_TSIP_GenerateAes128RandomKeyIndex	1,200
R_TSIP_GenerateAes256RandomKeyIndex	1,700
R_TSIP_GenerateRandomNumber	560
R_TSIP_GenerateUpdateKeyRingKeyIndex	2,300
R_TSIP_UpdateAes128KeyIndex	1,900
R_TSIP_UpdateAes256KeyIndex	2,000

Table 1-89 Firmware Verification Performance

API	Performance (Unit: Cycle)		
	8 KB Processing	16 KB Processing	24 KB Processing
R_TSIP_VerifyFirmwareMACInit	164	160	160
R_TSIP_VerifyFirmwareMACUpdate	19,000	37,000	55,000
R_TSIP_VerifyFirmwareMACFinal	28	28	28

Table 1-90 Performance of AES

API	Performance (Unit: Cycle)		
	16-Byte Processing	48-Byte Processing	80-Byte Processing
R_TSIP_Aes128EcbEncryptInit	1,200	1,200	1,200
R_TSIP_Aes128EcbEncryptUpdate	390	510	640
R_TSIP_Aes128EcbEncryptFinal	330	330	330
R_TSIP_Aes128EcbDecryptInit	1,200	1,200	1,200
R_TSIP_Aes128EcbDecryptUpdate	450	560	690
R_TSIP_Aes128EcbDecryptFinal	340	340	340
R_TSIP_Aes256EcbEncryptInit	1,300	1,300	1,300
R_TSIP_Aes256EcbEncryptUpdate	400	520	660
R_TSIP_Aes256EcbEncryptFinal	330	330	330
R_TSIP_Aes256EcbDecryptInit	1,300	1,300	1,300
R_TSIP_Aes256EcbDecryptUpdate	470	600	730
R_TSIP_Aes256EcbDecryptFinal	340	340	340
R_TSIP_Aes128CbcEncryptInit	1,300	1,300	1,300
R_TSIP_Aes128CbcEncryptUpdate	440	550	700
R_TSIP_Aes128CbcEncryptFinal	350	350	350
R_TSIP_Aes128CbcDecryptInit	1,300	1,300	1,300
R_TSIP_Aes128CbcDecryptUpdate	500	610	750
R_TSIP_Aes128CbcDecryptFinal	360	360	360
R_TSIP_Aes256CbcEncryptInit	1,400	1,400	1,400
R_TSIP_Aes256CbcEncryptUpdate	450	580	710
R_TSIP_Aes256CbcEncryptFinal	350	350	350
R_TSIP_Aes256CbcDecryptInit	1,400	1,400	1,400
R_TSIP_Aes256CbcDecryptUpdate	530	650	780
R_TSIP_Aes256CbcDecryptFinal	360	360	360

Table 1-91 Performance of AES-GCM

API	Performance (Unit: Cycle)		
	48-Byte Processing	64-Byte Processing	80-Byte Processing
R_TSIP_Aes128GcmEncryptInit	4,300	4,300	4,300
R_TSIP_Aes128GcmEncryptUpdate	1,600	1,700	1,700
R_TSIP_Aes128GcmEncryptFinal	1,100	1,100	1,100
R_TSIP_Aes128GcmDecryptInit	4,200	4,200	4,200
R_TSIP_Aes128GcmDecryptUpdate	1,600	1,600	1,700
R_TSIP_Aes128GcmDecryptFinal	1,500	1,500	1,500
R_TSIP_Aes256GcmEncryptInit	4,300	4,200	4,200
R_TSIP_Aes256GcmEncryptUpdate	1,600	1,700	1,800
R_TSIP_Aes256GcmEncryptFinal	810	810	810
R_TSIP_Aes256GcmDecryptInit	4,200	4,200	4,200
R_TSIP_Aes256GcmDecryptUpdate	1,600	1,700	1,700
R_TSIP_Aes256GcmDecryptFinal	1,200	1,200	1,200

Note: GCM performance was measured with parameters fixed as follows: ivec = 1,024 bits, AAD = 720 bits, and authentication tag = 128 bits.

Table 1-92 Performance of AES-CCM

API	Performance (Unit: Cycle)		
	48-Byte Processing	64-Byte Processing	80-Byte Processing
R_TSIP_Aes128CcmEncryptInit	2,300	2,300	2,300
R_TSIP_Aes128CcmEncryptUpdate	900	970	1,000
R_TSIP_Aes128CcmEncryptFinal	730	720	720
R_TSIP_Aes128CcmDecryptInit	2,400	2,400	2,400
R_TSIP_Aes128CcmDecryptUpdate	820	900	970
R_TSIP_Aes128CcmDecryptFinal	1,200	1,200	1,200
R_TSIP_Aes256CcmEncryptInit	1,900	1,900	1,900
R_TSIP_Aes256CcmEncryptUpdate	960	1,000	1,100
R_TSIP_Aes256CcmEncryptFinal	770	770	770
R_TSIP_Aes256CcmDecryptInit	1,900	1,900	1,900
R_TSIP_Aes256CcmDecryptUpdate	860	960	1,000
R_TSIP_Aes256CcmDecryptFinal	1,200	1,200	1,200

Note: CCM performance was measured with parameters fixed as follows: nonce = 104 bits, AAD = 880 bits, and MAC = 128 bits.

Table 1-93 Performance of AES-CMAC

API	Performance (Unit: Cycle)		
	48-Byte Processing	64-Byte Processing	80-Byte Processing
R_TSIP_Aes128CmacGenerateInit	890	890	890
R_TSIP_Aes128CmacGenerateUpdate	490	530	560
R_TSIP_Aes128CmacGenerateFinal	620	620	620
R_TSIP_Aes128CmacVerifyInit	890	890	890
R_TSIP_Aes128CmacVerifyUpdate	490	530	570
R_TSIP_Aes128CmacVerifyFinal	1,100	1,000	1,100
R_TSIP_Aes256CmacGenerateInit	1,000	1,000	1,000
R_TSIP_Aes256CmacGenerateUpdate	520	570	600
R_TSIP_Aes256CmacGenerateFinal	640	650	650
R_TSIP_Aes256CmacVerifyInit	1,000	1,000	1,000
R_TSIP_Aes256CmacVerifyUpdate	520	570	600
R_TSIP_Aes256CmacVerifyFinal	1,100	1,100	1,100

Table 1-94 Performance of AES Key Wrap

API	Performance (Unit: Cycle)	
	Wrap Target Key AES-128	Wrap Target Key AES-256
R_TSIP_Aes128KeyWrap	5,600	8,900
R_TSIP_Aes256KeyWrap	5,800	9,300
R_TSIP_Aes128KeyUnwrap	6,400	9,600
R_TSIP_Aes256KeyUnwrap	6,600	10,000

Table 1-95 Performance of Common APIs (TDES Wrapped Key Generation)

API	Performance (Unit: Cycle)
R_TSIP_GenerateTdesKeyIndex	2,300
R_TSIP_GenerateTdesRandomKeyIndex	1,700
R_TSIP_UpdateTdesKeyIndex	2,000

Table 1-96 Performance of TDES

API	Performance (Unit: Cycle)		
	16-Byte Processing	48-Byte Processing	80-Byte Processing
R_TSIP_TdesEcbEncryptInit	790	790	790
R_TSIP_TdesEcbEncryptUpdate	430	620	820
R_TSIP_TdesEcbEncryptFinal	330	320	320
R_TSIP_TdesEcbDecryptInit	800	800	800
R_TSIP_TdesEcbDecryptUpdate	450	650	840
R_TSIP_TdesEcbDecryptFinal	330	330	330
R_TSIP_TdesCbcEncryptInit	840	840	840
R_TSIP_TdesCbcEncryptUpdate	480	680	870
R_TSIP_TdesCbcEncryptFinal	340	340	340
R_TSIP_TdesCbcDecryptInit	840	840	840
R_TSIP_TdesCbcDecryptUpdate	500	700	890
R_TSIP_TdesCbcDecryptFinal	350	350	350

Table 1-97 Performance of Common APIs (ARC4 Wrapped Key Generation)

API	Performance (Unit: Cycle)
R_TSIP_GenerateArc4KeyIndex	4,000
R_TSIP_GenerateArc4RandomKeyIndex	9,000
R_TSIP_UpdateArc4KeyIndex	3,700

Table 1-98 Performance of ARC4

API	Performance (Unit: Cycle)		
	16-Byte Processing	48-Byte Processing	80-Byte Processing
R_TSIP_Arc4EncryptInit	1,900	1,900	1,900
R_TSIP_Arc4EncryptUpdate	360	480	610
R_TSIP_Arc4EncryptFinal	240	240	240
R_TSIP_Arc4DecryptInit	1,900	1,900	1,900
R_TSIP_Arc4DecryptUpdate	360	480	610
R_TSIP_Arc4DecryptFinal	240	240	240

Table 1-99 Performance of Common APIs (RSA Wrapped Key Generation)

API	Performance (Unit: Cycle)
R_TSIP_GenerateRsa1024PublicKeyIndex	37,000
R_TSIP_GenerateRsa1024PrivateKeyIndex	38,000
R_TSIP_GenerateRsa2048PublicKeyIndex	140,000
R_TSIP_GenerateRsa2048PrivateKeyIndex	140,000
R_TSIP_GenerateRsa1024RandomKeyIndex* ¹	76,000,000
R_TSIP_GenerateRsa2048RandomKeyIndex* ¹	370,000,000
R_TSIP_UpdateRsa1024PublicKeyIndex	36,000
R_TSIP_UpdateRsa1024PrivateKeyIndex	37,000
R_TSIP_UpdateRsa2048PublicKeyIndex	140,000
R_TSIP_UpdateRsa2048PrivateKeyIndex	140,000

Note: 1. Average value over 10 runs.

Table 1-100 Performance of RSASSA-PKCS1-v1_5 Signature Generation/Verification (HASH = SHA1)

API	Performance (Unit: Cycle)		
	Message Size = 1 Byte	Message Size = 128 Bytes	Message Size = 256 Bytes
R_TSIP_RsassaPkcs1024SignatureGenerate	1,200,000	1,200,000	1,200,000
R_TSIP_RsassaPkcs1024SignatureVerification	16,000	17,000	18,000
R_TSIP_RsassaPkcs2048SignatureGenerate	26,000,000	26,000,000	26,000,000
R_TSIP_RsassaPkcs2048SignatureVerification	130,000	140,000	140,000

Table 1-101 Performance of RSASSA-PKCS1-v1_5 Signature Generation/Verification (HASH = SHA256)

API	Performance (Unit: Cycle)		
	Message Size = 1 Byte	Message Size = 128 Bytes	Message Size = 256 Bytes
R_TSIP_RsassaPkcs1024SignatureGenerate	1,200,000	1,200,000	1,200,000
R_TSIP_RsassaPkcs1024SignatureVerification	16,000	17,000	18,000
R_TSIP_RsassaPkcs2048SignatureGenerate	26,000,000	26,000,000	26,000,000
R_TSIP_RsassaPkcs2048SignatureVerification	130,000	140,000	140,000

Table 1-102 Performance of RSASSA-PKCS1-v1_5 Signature Generation/Verification (HASH = MD5)

API	Performance (Unit: Cycle)		
	Message Size = 1 Byte	Message Size = 128 Bytes	Message Size = 256 Bytes
R_TSIP_RsassaPkcs1024SignatureGenerate	1,200,000	1,200,000	1,200,000
R_TSIP_RsassaPkcs1024SignatureVerification	16,000	17,000	18,000
R_TSIP_RsassaPkcs2048SignatureGenerate	26,000,000	26,000,000	26,000,000
R_TSIP_RsassaPkcs2048SignatureVerification	130,000	140,000	140,000

Table 1-103 Performance of RSAES-PKCS1-v1_5 Encryption/Decryption with 1024-Bit Key Size

API	Performance (Unit: Cycle)	
	Message Size = 1 Byte	Message Size = 117 Bytes
R_TSIP_RsaesPkcs1024Encrypt	20,000	16,000
R_TSIP_RsaesPkcs1024Decrypt	1,200,000	1,200,000

Table 1-104 Performance of RSAES-PKCS1-v1_5 Encryption/Decryption with 2048-Bit Key Size

API	Performance (Unit: Cycle)	
	Message Size = 1 Byte	Message Size = 245 Bytes
R_TSIP_RsaesPkcs2048Encrypt	140,000	130,000
R_TSIP_RsaesPkcs2048Decrypt	26,000,000	26,000,000

Table 1-105 Performance of RSAES-OAEP Encryption/Decryption with 1024-Bit Key Size

API	Performance (Unit: Cycle)	
	Message Size = 1 Byte	Message Size = 117 Bytes
R_TSIP_RsaesOaep1024Encrypt	23,000	23,000
R_TSIP_RsaesOaep1024Decrypt	1,200,000	1,200,000

Table 1-106 Performance of RSAES-OAEP Encryption/Decryption with 2048-Bit Key Size

API	Performance (Unit: Cycle)	
	Message Size = 1 Byte	Message Size = 245 Bytes
R_TSIP_RsaesOaep2048Encrypt	150,000	150,000
R_TSIP_RsaesOaep2048Decrypt	26,000,000	26,000,000

Table 1-107 Performance of HASH (SHA1)

API	Performance (Unit: Cycle)		
	128-Byte Processing	192-Byte Processing	256-Byte Processing
R_TSIP_Sha1Init	98	98	98
R_TSIP_Sha1Update	1,200	1,500	1,700
R_TSIP_Sha1Final	670	670	670

Table 1-108 Performance of HASH (SHA256)

API	Performance (Unit: Cycle)		
	128-Byte Processing	192-Byte Processing	256-Byte Processing
R_TSIP_Sha256Init	110	110	110
R_TSIP_Sha256Update	1,300	1,400	1,600
R_TSIP_Sha256Final	670	670	670

Table 1-109 Performance of HASH (MD5)

API	Performance (Unit: Cycle)		
	128-Byte Processing	192-Byte Processing	256-Byte Processing
R_TSIP_Md5Init	94	96	98
R_TSIP_Md5Update	1,200	1,300	1,500
R_TSIP_Md5Final	630	630	630

Table 1-110 Performance of Common APIs (HMAC Wrapped Key Generation)

API	Performance (Unit: Cycle)
R_TSIP_GenerateSha1HmacKeyIndex	2,400
R_TSIP_GenerateSha256HmacKeyIndex	2,400
R_TSIP_UpdateSha1HmacKeyIndex	2,100
R_TSIP_UpdateSha256HmacKeyIndex	2,100

Table 1-111 Performance of HMAC (SHA1)

API	Performance (Unit: Cycle)		
	128-Byte Processing	192-Byte Processing	256-Byte Processing
R_TSIP_Sha1HmacGenerateInit	1,100	1,100	1,100
R_TSIP_Sha1HmacGenerateUpdate	810	1,000	1,200
R_TSIP_Sha1HmacGenerateFinal	1,600	1,600	1,600
R_TSIP_Sha1HmacVerifyInit	1,100	1,100	1,100
R_TSIP_Sha1HmacVerifyUpdate	800	1,000	1,200
R_TSIP_Sha1HmacVerifyFinal	2,300	2,300	2,300

Table 1-112 Performance of HMAC (SHA256)

API	Performance (Unit: Cycle)		
	128-Byte Processing	192-Byte Processing	256-Byte Processing
R_TSIP_Sha256HmacGenerateInit	1,400	1,400	1,400
R_TSIP_Sha256HmacGenerateUpdate	740	900	1,100
R_TSIP_Sha256HmacGenerateFinal	1,500	1,500	1,500
R_TSIP_Sha256HmacVerifyInit	1,400	1,400	1,400
R_TSIP_Sha256HmacVerifyUpdate	730	900	1,100
R_TSIP_Sha256HmacVerifyFinal	2,300	2,300	2,300

Table 1-113 Performance of Common APIs (ECC Wrapped Key Generation)

API	Performance (Unit: Cycle)
R_TSIP_GenerateEccP192PublicKeyIndex	2,700
R_TSIP_GenerateEccP224PublicKeyIndex	2,700
R_TSIP_GenerateEccP256PublicKeyIndex	2,700
R_TSIP_GenerateEccP384PublicKeyIndex	2,800
R_TSIP_GenerateEccP192PrivateKeyIndex	2,400
R_TSIP_GenerateEccP224PrivateKeyIndex	2,400
R_TSIP_GenerateEccP256PrivateKeyIndex	2,400
R_TSIP_GenerateEccP384PrivateKeyIndex	2,400
R_TSIP_GenerateEccP192RandomKeyIndex* ¹	130,000
R_TSIP_GenerateEccP224RandomKeyIndex* ¹	140,000
R_TSIP_GenerateEccP256RandomKeyIndex* ¹	140,000
R_TSIP_GenerateEccP384RandomKeyIndex* ¹	1,000,000
R_TSIP_UpdateEccP192PublicKeyIndex	2,400
R_TSIP_UpdateEccP224PublicKeyIndex	2,400
R_TSIP_UpdateEccP256PublicKeyIndex	2,400
R_TSIP_UpdateEccP384PublicKeyIndex	2,600
R_TSIP_UpdateEccP192PrivateKeyIndex	2,100
R_TSIP_UpdateEccP224PrivateKeyIndex	2,100
R_TSIP_UpdateEccP256PrivateKeyIndex	2,100
R_TSIP_UpdateEccP384PrivateKeyIndex	2,100

Note: 1. Average value over 10 runs.

Table 1-114 Performance of ECDSA Signature Generation/Verification

API	Performance (Unit: Cycle)		
	Message Size = 1 Byte	Message Size = 128 Bytes	Message Size = 256 Bytes
R_TSIP_EcdsaP192SignatureGenerate	160,000	160,000	160,000
R_TSIP_EcdsaP224SignatureGenerate	160,000	160,000	160,000
R_TSIP_EcdsaP256SignatureGenerate	160,000	160,000	160,000
R_TSIP_EcdsaP384SignatureGenerate* ¹	1,100,000		
R_TSIP_EcdsaP192SignatureVerification	300,000	300,000	310,000
R_TSIP_EcdsaP224SignatureVerification	320,000	330,000	330,000
R_TSIP_EcdsaP256SignatureVerification	330,000	330,000	330,000
R_TSIP_EcdsaP384SignatureVerification* ¹	2,100,000		

Note: 1. Does not include SHA384 calculation.

Table 1-115 Key Exchange Performance

API	Performance (Unit: Cycle)
R_TSIP_EcdhP256Init	38
R_TSIP_EcdhP256ReadPublicKey	330,000
R_TSIP_EcdhP256MakePublicKey	310,000
R_TSIP_EcdhP256CalculateSharedSecretIndex	350,000
R_TSIP_EcdhP256KeyDerivation	3,000
R_TSIP_EcdhP256SshKeyDerivation	41,000
R_TSIP_EcdheP512KeyAgreement	3,200,000
R_TSIP_Rsa2048DhKeyAgreement	52,000,000

Note: Key exchange performance (excluding KeyAgreement) was measured with parameters fixed as follows: key exchange format = ECDHE and derived key type = AES-128.

2. API Information

2.1 Hardware Requirements

TSIP drivers can only be used with devices provided with a TSIP. Check the product number of the device to ensure that it incorporates a TSIP.

2.2 Software Requirements

The TSIP drivers are dependent on the following module:

r_bsp Use rev. 7.30 or later. (BSP stands for “board support package.”)

[RX231 and RX23W (On the RX231, portions of the comment below following “= Chip” differ.)]

Change the value in the following macro in r_bsp_config.h in the r_config folder to 0xB or 0xD (RX23W only).

```

/* Chip version.
   Character(s) = Value for macro =
   A           = 0xA             = Chip version A
                                   = Security function not included.
   B           = 0xB             = Chip version B
                                   = Security function included.
   C           = 0xC             = Chip version C
                                   = Security function not included.
   D           = 0xD             = Chip version D
                                   = Security function included.
*/
#define BSP_CFG_MCU_PART_VERSION      (0xB)

```

[RX26T]

Change the value in the following macro in r_bsp_config.h in the r_config folder to 0xB, or 0xD.

```

/* Whether PGA differential input, Encryption and USB are included or not.
   Character(s) = Value for macro = Description
   A = 0xA     = Only CAN 2.0 protocol supported, without TSIP-Lite
   B = 0xB     = Only CAN 2.0 protocol supported, with TSIP-Lite
   C = 0xC     = CAN FD protocol supported, without TSIP-Lite
   D = 0xD     = CAN FD protocol supported, with TSIP-Lite
*/
#define BSP_CFG_MCU_PART_FUNCTION    (0xD)

```

[RX66T and RX72T (On the RX72T, portions of the comment below following “= PGA” differ.)]

Change the value in the following macro in `r_bsp_config.h` in the `r_config` folder to 0xE, 0xF, or 0x10.

```

/* Whether PGA differential input, Encryption and USB are included or not.
Character(s) = Value for macro = Description
A = 0xA = PGA differential input included, Encryption module not included,
        USB module not included
B = 0xB = PGA differential input not included, Encryption module not
        included, USB module not included
C = 0xC = PGA differential input included, Encryption module not included,
        USB module included
E = 0xE = PGA differential input included, Encryption module included,
        USB module not included
F = 0xF = PGA differential input not included, Encryption module included,
        USB module not included
G = 0x10 = PGA differential input included, Encryption module included,
        USB module included
*/
#define BSP_CFG_MCU_PART_FUNCTION    (0xE)

```

[RX66N, RX671, RX72M, and RX72N]

Change the value in the following macro in `r_bsp_config.h` in the `r_config` folder to 0x11.

```

/* Whether Encryption is included or not.
Character(s) = Value for macro = Description
D            = 0xD            = Encryption module not included
H            = 0x11           = Encryption module included
*/
#define BSP_CFG_MCU_PART_FUNCTION    (0x11)

```

[RX65N]

Change the value in the following macro in `r_bsp_config.h` in the `r_config` folder to true.

```

/* Whether Encryption and SDHI/SDSI are included or not.
Character(s) = Value for macro = Description
A            = false = Encryption module not included, SDHI/SDSI module not included
B            = false = Encryption module not included, SDHI/SDSI module included
D            = false = Encryption module not included, SDHI/SDSI module included
E            = true  = Encryption module included, SDHI/SDSI module not included
F            = true  = Encryption module included, SDHI/SDSI module included
H            = true  = Encryption module included, SDHI/SDSI module included
*/
#define BSP_CFG_MCU_PART_ENCRYPTION_INCLUDED    (true)

```

2.3 Supported Toolchain

The operation of the TSIP driver has been confirmed with the toolchain indicated in 7.1, Confirmed Operation Environment.

2.4 Header File

All API calls and their supported interface definitions are contained in `r_tsip_rx_if.h`.

2.5 Integer Types

The TSIP driver uses ANSI C99 integer types defined in `stdint.h`.

2.6 Configuration

By setting the values of the following macros to 1 or 0 in `/r_config/r_tsip_rx_config.h` you can turn the corresponding functions on or off.

Configuration options in <code>r_config/r_tsip_rx_config.h</code>		
Definition	Default Value	Remarks
TSIP_AES_128_ECB_ENCRYPT	(1)	—
TSIP_AES_256_ECB_ENCRYPT	(1)	—
TSIP_AES_128_ECB_DECRYPT	(1)	—
TSIP_AES_256_ECB_DECRYPT	(1)	—
TSIP_AES_128_CBC_ENCRYPT	(1)	—
TSIP_AES_256_CBC_ENCRYPT	(1)	—
TSIP_AES_128_CBC_DECRYPT	(1)	—
TSIP_AES_256_CBC_DECRYPT	(1)	—
TSIP_AES_128_CTR	(1)	—
TSIP_AES_256_CTR	(1)	—
TSIP_AES_128_GCM_ENCRYPT	(1)	—
TSIP_AES_256_GCM_ENCRYPT	(1)	—
TSIP_AES_128_GCM_DECRYPT	(1)	—
TSIP_AES_256_GCM_DECRYPT	(1)	—
TSIP_AES_128_CMAC	(1)	—
TSIP_AES_256_CMAC	(1)	—
TSIP_AES_128_CCM_ENCRYPT	(1)	—
TSIP_AES_256_CCM_ENCRYPT	(1)	—
TSIP_AES_128_CCM_DECRYPT	(1)	—
TSIP_AES_256_CCM_DECRYPT	(1)	—
TSIP_AES_128_KEY_WRAP	(1)	—
TSIP_AES_256_KEY_WRAP	(1)	—
TSIP_TDES_ECB_ENCRYPT	(1)	—
TSIP_TDES_ECB_DECRYPT	(1)	—
TSIP_TDES_CBC_ENCRYPT	(1)	—
TSIP_TDES_CBC_DECRYPT	(1)	—
TSIP_ARC4_ENCRYPT	(1)	—
TSIP_ARC4_DECRYPT	(1)	—
TSIP_SHA_1	(1)	—
TSIP_SHA_256	(1)	—
TSIP_MD5	(1)	—
TSIP_SHA_1_HMAC	(1)	—
TSIP_SHA_256_HMAC	(1)	—
TSIP_RSAES_1024	(1)	—
TSIP_RSAES_2048	(1)	—
TSIP_RSAES_3072	(1)	—
TSIP_RSAES_4096	(1)	—
TSIP_RSASSA_1024	(1)	—
TSIP_RSASSA_2048	(1)	—
TSIP_RSASSA_3072	(1)	—
TSIP_RSASSA_4096	(1)	—

Configuration options in r_config/r_tsip_rx_config.h		
TSIP_RSA_RETRY_COUNT_FOR_RSA_KEY_GENERATION	(5120*2)	The retry count for RSA key generation. The NIST FIPS 186-4 standard recommends a value of $(5 * (\text{key length} / 2))$. The default value is calculated using this formula with a key length of 2,048 and then doubled to provide an extra margin.
TSIP_ECDSA_P192	(1)	—
TSIP_ECDSA_P224	(1)	—
TSIP_ECDSA_P256	(1)	—
TSIP_ECDSA_P384	(1)	—
TSIP_ECDH_P256	(1)	—
TSIP_USER_SHA_384_ENABLED*1	(0)	—
TSIP_TLS	(1)	—
TSIP_SECURE_BOOT	(0)	—
TSIP_FIRMWARE_UPDATE	(1)	—
TSIP_MULTI_THREADING*1	(0)	—

Note: 1. Refer to 4.3, User-Defined Functions, for instructions on defining user-defined functions.

Though each function can be disabled with setting the configuration, some unreferenced internal functions are not omitted in the building process when a specific compiler is used. In order to delete unreferenced internal functions to reduce the code size, please set optimization settings of the compiler or linker adequately.

For example, in CC-RX V.3.06, unreferenced functions can be deleted with enabling `-optimize=symbol_delete` setting in optimization setting of the linker.

2.7 Data Structures

The data structures used by the TSIP driver are defined in `r_tsip_rx_if.h`.

2.8 Return Values

The return values of the TSIP driver API functions are listed below. The enumerated types of return values are defined in `r_tsip_rx_if.h`.

```
typedef enum e_tsip_err
{
    TSIP_SUCCESS=0,
    TSIP_ERR_FAIL, // Self-check failed to terminate normally,
                  // illegal MAC detected by R_TSIP_VerifyFirmwareMAC,
                  // or R_TSIP_API function internal error.
    TSIP_ERR_RESOURCE_CONFLICT, // A resource conflict occurred because a resource required by
                                // the processing routine was in use by another processing routine.
    TSIP_ERR_RETRY, // Self-check terminated with an error. Run the function again.
    TSIP_ERR_KEY_SET, // An invalid wrapped key was input.
    TSIP_ERR_AUTHENTICATION, // Authentication failed,
                            // or signature verification using RSASSA-PKCS1-V.1.5 failed.
    TSIP_ERR_CALLBACK_UNREGIST, // Callback function not registered.
    TSIP_ERR_PARAMETER, // Invalid input date.
    TSIP_ERR_PROHIBIT_FUNCTION, // An invalid function call occurred.
    TSIP_RESUME_FIRMWARE_GENERATE_MAC, // There is additional processing. It is necessary to call
                                      // the API again.
    TSIP_ERR_VERIFICATION_FAIL, // Verification of TLS 1.3 handshaking failed.
}e_tsip_err_t
```

2.9 Adding the FIT Module to Your Project

This module must be added to each project in which it is used. Renesas recommends using Smart Configurator as described in (1) or (3) below. However, Smart Configurator does not support all RX devices. If your RX device is not supported, use the method described in (2) or (4).

- (1) Adding the FIT module to your project using Smart Configurator in e² studio
Using Smart Configurator in e² studio allows you to add the FIT module to your project automatically. Refer to the application note “Renesas e² studio Smart Configurator User Guide” (R20AN0451) for details.
- (2) Adding the FIT module to your project using FIT Configurator in e² studio
Using FIT Configurator in e² studio allows you to add the FIT module to your project automatically. Refer to the application note “Adding Firmware Integration Technology Modules to Projects (R01AN1723)” for details.
- (3) Adding the FIT module to your project using Smart Configurator in CS+
Using Smart Configurator Standalone Version in CS+ allows you to add the FIT module to your project automatically. Refer to the application note “Renesas e² studio Smart Configurator User Guide (R20AN0451)” for details.
- (4) Adding the FIT module to your project in CS+
Manually add the FIT module to your project in CS+. Refer to the application note “Adding Firmware Integration Technology Modules to CS+ Projects (R01AN1826)” for details.

2.10 *for*, *while*, and *do while* Statements

The TSIP driver uses *for*, *while*, and *do while* statements (loop processing) to wait for registers to be updated, etc. Such loop processing is indicated in the comments with the keyword `WAIT_LOOP`. If you wish to incorporate fail-safe processing into loop processing, you can locate the corresponding processing by searching for the keyword `WAIT_LOOP`.

Devices for which `WAIT_LOOP` appears in the comments:

All device groups

A code sample is shown below.

Example *while* statement:

```
/* WAIT_LOOP */
while(0 == SYSTEM.OSCOVFSR.BIT.PLOVF)
{
    /* The delay period needed is to make sure that the PLL has stabilized. */
}
```

Example *for* statement:

```
/* Initialize reference counters to 0. */
/* WAIT_LOOP */
for (i = 0; i < BSP_REG_PROTECT_TOTAL_ITEMS; i++)
{
    g_protect_counters[i] = 0;
}
```

Example *do while* statement:

```
/* Reset completion waiting */
do
{
    reg = phy_read(ether_channel, PHY_REG_CONTROL);
    count++;
} while ((reg & PHY_CONTROL_RESET) && (count < ETHER_CFG_PHY_DELAY_RESET)); /* WAIT_LOOP */
```

3. TSIP Driver Usage

The TSIP driver for the RX Family provides the following functions:

- Random number generation
- Secure key management
- Unauthorized access monitoring
- Acceleration of cryptographic operations
- Acceleration of TLS processing

The keys handled by the TSIP driver (input and output keys) are opaque keys wrapped using a device-specific key called a hardware unique key (HUK), which is accessible only by the TSIP. In the case of the RX TSIP driver, this type of opaque key is called a wrapped key. The TSIP driver implements secure key management by wrapping keys using the hardware unique key. This provides key confidentiality and detection of tampering outside of the TSIP.

The unauthorized access monitoring by the TSIP covers all cryptographic processing performed by the driver and is always enabled during cryptographic operations. If tampering with cryptographic operations is detected while the driver is in use, the driver stops operation.

There are two types of APIs provided by the TSIP driver for accelerating cryptographic operations: those that provide cryptographic operations with a single API and those that provide them with multiple APIs. In this document, the former are referred to as single-part operations and the latter as multi-part operations.

APIs for multi-part operations are provided for symmetric key cryptography and hashes split on the Init-Update-Final model, and APIs for single-part operations are provided for other ciphers.

3.1 Recovering after Unauthorized Access Detection

Unauthorized access monitoring by the TSIP is always enabled during execution of all cryptographic APIs. If tampering with cryptographic operations is detected while the driver is in use, the driver enters an infinite loop to stop operation.

Whether or not the operation of the TSIP driver is stopped in an infinite loop due to unauthorized access must be detected by the user application using a watchdog timer or other means.

If unauthorized access is detected by the user application, appropriate measures should be taken to satisfy the system security policy, such as log recording or restarting the system.

To recover from unauthorized access detection, close the TSIP driver once with `R_TSIP_Close()` and restart the TSIP with `R_TSIP_Open()`, or reset the device.

3.2 Avoiding TSIP Access Conflicts

All RX Family products provided with a TSIP allow use of only one channel of the TSIP. The TSIP driver, like many peripheral IP drivers, takes over the hardware resources of the TSIP while driver APIs are running.

Among the APIs that provide multi-part operations, the symmetric key cryptography and HMAC functions continue to occupy the TSIP hardware resources until the series of multi-part operations is complete.

Therefore, keep in mind the following two points to avoid TSIP access conflicts when using the TSIP driver in a user application program:

1. While a TSIP driver API is being executed, other TSIP driver APIs must not be executed.
2. In the case of symmetric key cryptography and HMAC functions, other TSIP driver APIs cannot execute until the series of operations (Init/Update/Final) currently being processed is complete.

Note that the message digest generation function can execute other TSIP driver APIs while a series of multi-part operations is in progress.

If a TSIP driver API causes a TSIP hardware resource access conflict, the API returns `TSIP_ERR_RESOURCE_CONFLICT` or `TSIP_ERR_PROHIBIT_FUNCTION`.

Use one of the following methods to avoid TSIP access conflicts when using the TSIP driver:

- Use the APIs in an order that does not cause TSIP access conflicts.
- Use the TSIP access conflict avoidance function provided by the TSIP driver.
Use system calls (mutexes, semaphores, etc.) for exclusive control in a real-time OS to implement a `user_lock_function` and `user_unlock_function` as user-defined functions for the TSIP driver. Enable `TSIP_MULTI_THREADING` in `r_tsip_rx_config.h` to turn on the TSIP access conflict avoidance function provided by the TSIP driver.
It is also possible to have the TSIP driver use multiple threads in a real-time OS.

3.3 BSP FIT Module Integration

The TSIP driver uses the BSP FIT module internally as described in section 2.2. When using the TSIP driver, link to the following APIs. For details, refer to the application note “Board Support Package Module Using Firmware Integration Technology” (R01AN1685xJxxxxxx).

- `R_BSP_RegisterProtectEnable()`
- `R_BSP_RegisterProtectDisable()`
- `R_BSP_InterruptsEnable()`
- `R_BSP_InterruptsDisable()`

It is assumed that BSP startup has completed before these APIs are called. If BSP startup is not used, call `R_BSP_StartupOpen()` beforehand. Also initialize internal variables used within the above APIs.

3.4 Single-Part and Multi-Part Operations

There are two types of APIs provided by the TSIP driver for accelerating cryptographic operations: those that provide cryptographic operations with a single API and those that provide them with multiple APIs. In this document, the former are referred to as single-part operations and the latter as multi-part operations.

APIs for multi-part operations are provided for symmetric key cryptography and hashes (message digest generation and HMAC functions), and APIs for single-part operations are provided for other ciphers.

Multi-part operations are APIs which split a single cryptographic operation into a sequence of separate steps (Init-Update-Final). This enables fine control over the configuration of the cryptographic operation and allows message data to be processed intermittently instead of all at once.

All multi-part operations conform to the following pattern:

Init: Initialize and start the operation.

If initialization is successful, the operation is active. If initialization fails, the operation enters an error state.

Update: Update the operation.

The update function can provide additional parameters, supply data for processing, or generate output.

If updating is successful, the operation remains active. If updating fails, the operation enters an error state.

Final: Call the applicable finalizing function to end the operation.

This function accepts any final input, generates any final output, and then releases any resources associated with the operation.

If finalizing is successful, the operation returns to the inactive state. If updating fails, the operation enters an error state.

3.5 Initializing and Terminating the Driver

The driver provides APIs for the following driver management operations:

No.	API	Description
1	R_TSIP_Open	Opens the TSIP driver. Initializes the TSIP and performs a self-test of the TSIP's fault detection and random number generator circuits.
2	R_TSIP_Close	Closes the TSIP driver.
3	R_TSIP_SoftwareReset	Resets the TSIP driver.
4	R_TSIP_GetVersion	Gets the version number of the TSIP driver.

Applications using the driver must call R_TSIP_Open() to initialize the driver before using other functions. Also, when terminating use of the driver, R_TSIP_Close() must be called.

If problems occur while using the driver and there is a need to reset the driver and its control target, the TSIP, it is necessary to call R_TSIP_SoftwareReset() or R_TSIP_Open() after calling R_TSIP_Close(). Call R_TSIP_SoftwareReset() to apply a reset without resuming TSIP driver processing, or call R_TSIP_Open() to resume TSIP driver processing.

R_TSIP_Open() performs a self-test to detect hardware failure of the TSIP and to check for abnormalities in the random number generation circuit. The self-test of the random number generator circuit implements the health test described in NIST SP800-90B on the data generated by the physical random number generator, evaluates the entropy, and generates a random number seed.

3.6 Random Number Generation

The driver provides an API for generating random numbers.

No.	API	Description
1	R_TSIP_GenerateRandomNumber	Generates random numbers using the CTR-DRBG method described in NIST SP800-90A.

3.7 Key Management

The driver provides APIs for the following key management operations:

No.	API	Description
1	R_TSIP_GenerateUpdateKeyRingKeyIndex R_TSIP_GenerateAesXXXKeyIndex R_TSIP_GenerateTdesKeyIndex R_TSIP_GenerateArc4KeyIndex R_TSIP_GenerateShaXXXHmacKeyIndex R_TSIP_GenerateRsaXXXPublicKeyIndex R_TSIP_GenerateRsaXXXPrivateKeyIndex R_TSIP_GenerateEccPXXXPublicKeyIndex R_TSIP_GenerateEccPXXXPrivateKeyIndex R_TSIP_GenerateTlsRsaPublicKeyIndex	These key injection APIs use the Renesas Key Wrap service to convert a user key into a wrapped key wrapped using an HUK. They can be used for key injection at the factory. [Aes] XXX = 128, 256 [Hmac] XXX = 1, 256 [Rsa] XXX = 1024, 2048, 3072*1, 4096*1 [Ecc] XXX = 192, 224, 256, 384
2	R_TSIP_UpdateAesXXXKeyIndex R_TSIP_UpdateTdesKeyIndex R_TSIP_UpdateArc4KeyIndex R_TSIP_UpdateRsaXXXPublicKeyIndex R_TSIP_UpdateRsaXXXPrivateKeyIndex R_TSIP_UpdateEccPXXXPublicKeyIndex R_TSIP_UpdateEccPXXXPrivateKeyIndex	These key update APIs use an update keyring to convert a user key into a wrapped key wrapped using an HUK. They can be used to update keys in the field. [Aes] XXX = 128, 256 [Hmac] XXX = 1, 256 [Rsa] XXX = 1024, 2048, 3072*1, 4096*1 [Ecc] XXX = 192, 224, 256, 384
3	R_TSIP_GenerateAesXXXRandomKeyIndex R_TSIP_GenerateTdesRandomKeyIndex R_TSIP_GenerateArc4RandomKeyIndex R_TSIP_GenerateRsaXXXRandomKeyIndex R_TSIP_GenerateEccPXXXRandomKeyIndex	These APIs generate a random key and convert it to a wrapped key. [Aes] XXX = 128, 256 [Rsa] XXX = 1024, 2048 [Ecc] XXX = 192, 224, 256, 384

Note: 1. Only public keys are provided in these key lengths.

Figure 3.1 illustrates key handling in cryptographic operations performed by the TSIP driver.

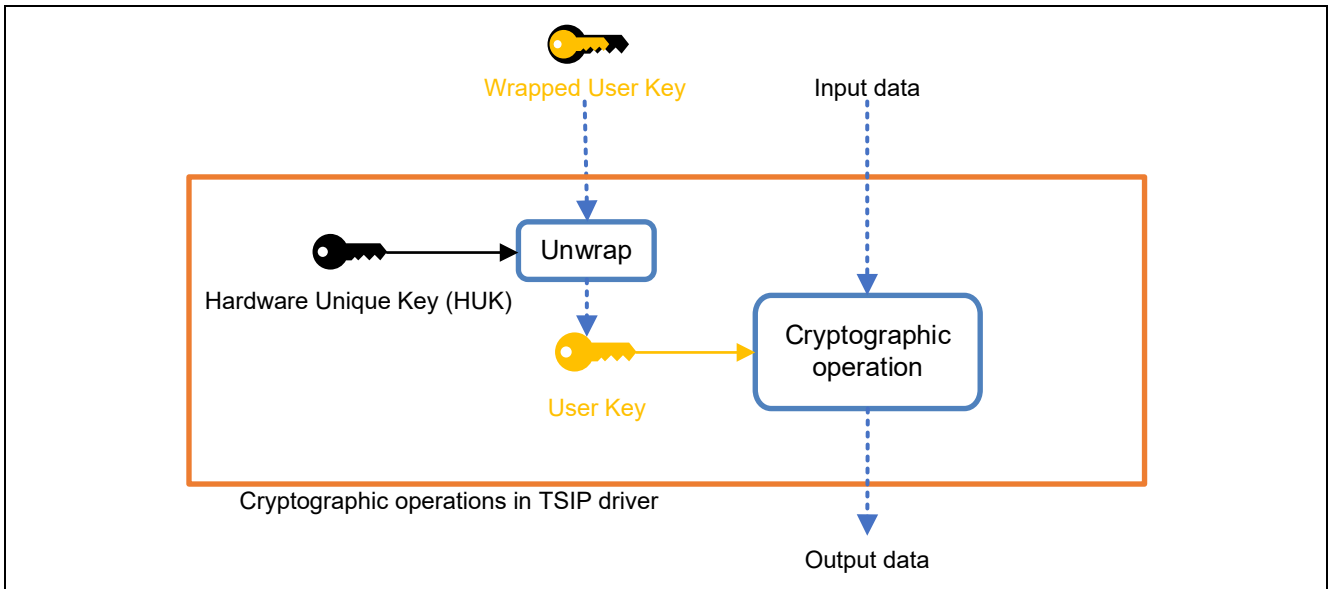


Figure 3.1 Key Handling in TSIP Driver Cryptographic Operations

The keys handled by the TSIP driver (input and output keys) are opaque keys wrapped using a device-specific key called an HUK, which is accessible only by the TSIP. In the case of the RX TSIP driver, this type of opaque key is called a wrapped key. The TSIP driver implements secure key management by wrapping user keys using the device-specific key. This provides key confidentiality and detection of tampering outside

of the TSIP. The wrapping of the wrapped key can be unlocked only by the TSIP, and the unwrapped key exists only within the TSIP during cryptographic processing. Since the wrapped key has been wrapped using a device-specific key, it cannot be unwrapped using a different device-specific key, even if the wrapped key is copied from the nonvolatile memory of one device to another device.

3.7.1 Key Injection and Updating

Key injection and key updating provide a mechanism enabling secure delivery of user keys by converting them into wrapped keys wrapped using an HUK. Figure 3.2 shows the key injection and key updating operation sequence, including use of the Renesas Key Wrap service.

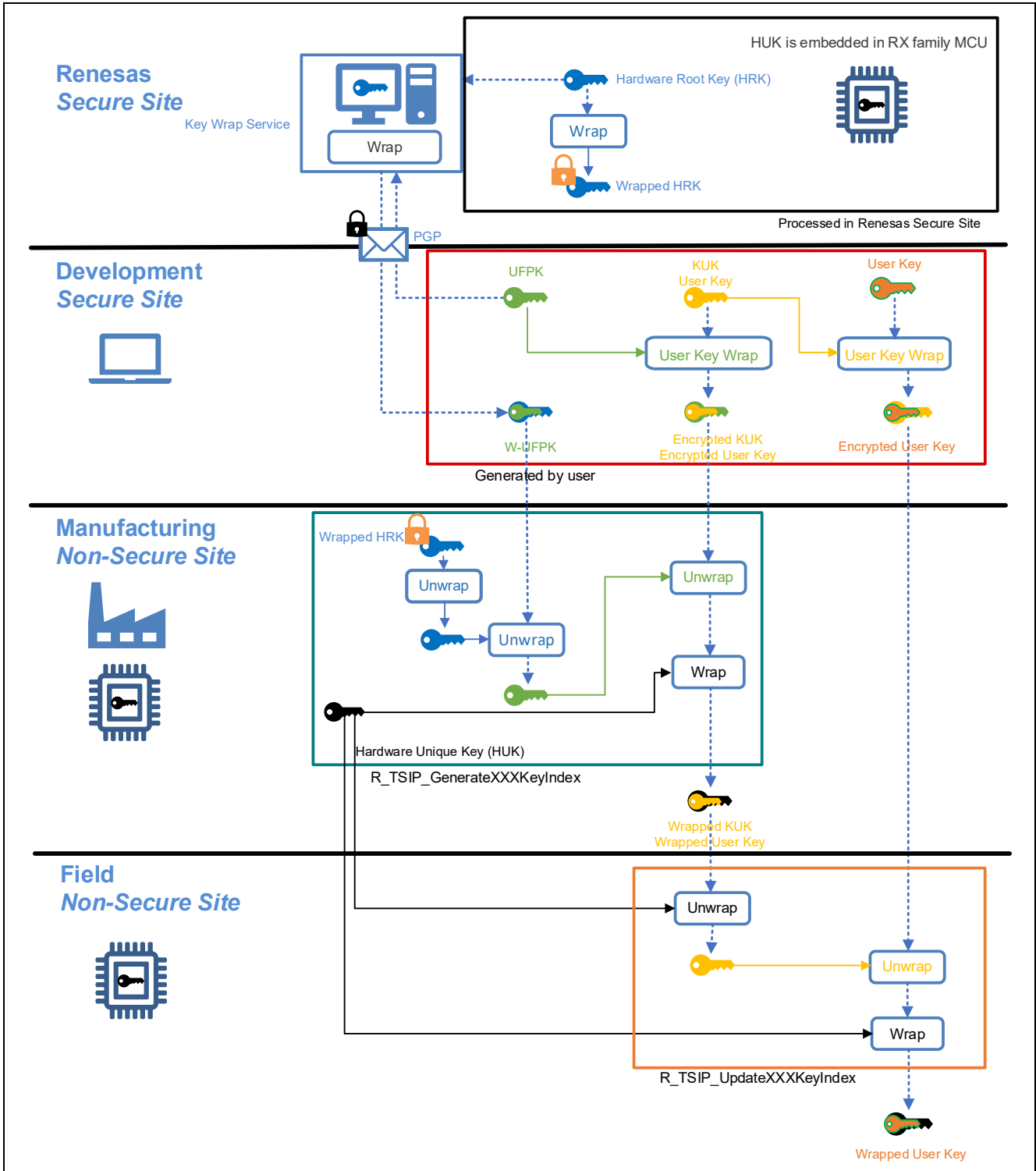


Figure 3.2 Key Injection and Key Updating Operation Sequence

Wrapping a secret key using an HUK involves encryption and adding a MAC, while wrapping a public key only involves adding a MAC. The public wrapped key is not encrypted, so the plaintext public key can be extracted from it. For details, refer to 3.7.3, Plaintext Public Key Extraction.

Figure 3.3 shows the user key wrapping scheme used when a UFPK or update key (Key Update Key, KUK) is used for wrapping during key injection and key updating. The first 128 bits of the UFPK or KUK for wrapping is used as the key, and the user key is encrypted in AES-128 CBC mode. Then the trailing 128 bits of the provisioning key or update keyring for wrapping is used to calculate the MAC of the user key using AES-128 CBC-MAC. The MAC of the user key is concatenated to the user key and both are encrypted to generate an encrypted key.

For the data formats of user keys and wrapped keys (encrypted keys), refer to 7.3, User Key Encryption Formats.

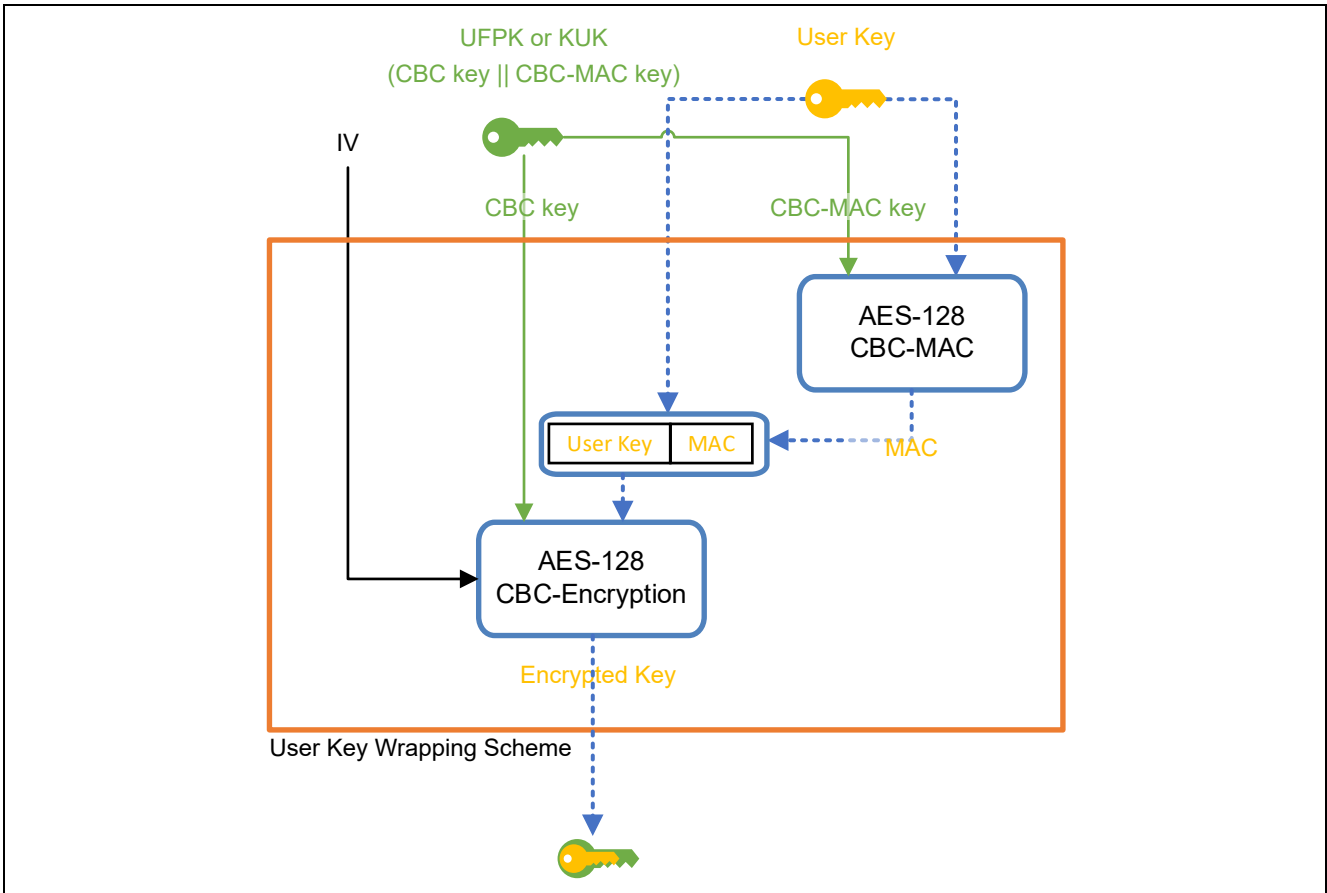


Figure 3.3 User Key Wrapping Scheme during Key Injection and Key Updating

The above method to generate an encrypted key is shown below with C language format.

```
-----  
uint32_t user_key[len];  
uint32_t MAC[4] = 0;  
uint32_t iv[4] = IV;  
for (i = 0; i < len; i += 4)  
{  
    MAC = AES_128_ENCRYPT(CBCMACkey[0: 3], xor_16byte(user_key[i: i+3], MAC[0: 3]));  
    encrypted_key[i: i+3]  
        = AES_128_ENCRYPT(CBCkey[0: 3], xor_16byte(user_key[i: i+3], iv[0: 3]));  
    iv[0: 3] = encrypted_key [i: i+3];  
}  
encrypted_key[i: i+3] = AES_128_ENCRYPT(CBCkey[0: 3], xor_16byte(MAC[0: 3], iv[0: 3]));  
-----
```

The functions used in above description mean below processes/

- AES_128_ENCRYPT(Key, Data) : Encrypt Data with AES128 ECB mode with using encrypting key Key
- xor_16byte(data1, data2) : XOR calculation between data1 and data2 where each value is 16 byte length

And the size of 1 element of each array(CBCkey[], CBCMACkey[], MAC[], iv[], user_key[], encrypted_key[]) is 4 byte.

The user key, including the KUK used for key updating, must be created by the user and injected into the device at the time of manufacture. For details of the procedure, refer to 5.1, Key Injection, and 5.2, Key Updating.

3.7.2 Key Generation

In key generation, the random number generation functionality of the TSIP is used to generate a new key, which is then output in an opaque format (wrapped key) that is usable by the TSIP driver.

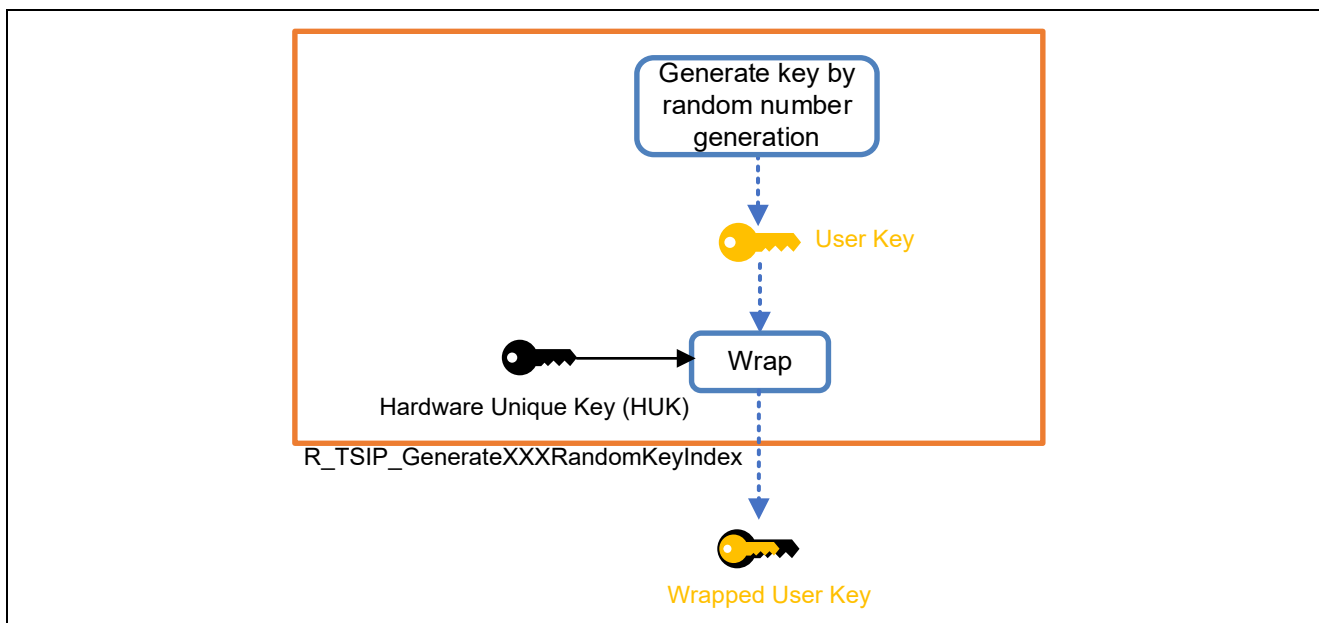


Figure 3.4 Key Generation Sequence

3.7.3 Plaintext Public Key Extraction

The value of public wrapped key is not encrypted, so the plaintext public key can be extracted from the format of the wrapped key.

The formats of the wrapped keys of public keys used by the various asymmetric cryptographic algorithms are listed in 7.4, Public Key Index Formats for Asymmetric Cryptography. Refer to this section when extracting the plaintext of public keys from their formats of wrapped keys.

3.8 Symmetric Key Cryptography

The driver provides APIs for the following types of symmetric cryptographic operations:

No.	API	Description
1	R_TSIP_AesXXX[Mode]Encrypt* R_TSIP_AesXXX[Mode]Decrypt* R_TSIP_AesXXXCtr* R_TSIP_Tdes[Mode]Encrypt* R_TSIP_Tdes[Mode]Decrypt* R_TSIP_Arc4Encrypt* R_TSIP_Arc4Decrypt*	Symmetric key cryptography AES 128-/256-bit: ECB, CBC, CTR encryption and decryption TDES: ECB, CBC encryption and decryption ARC4 XXX = 128, 256 Mode = Ecb, Cbc
2	R_TSIP_AesXXXGcmEncrypt* R_TSIP_AesXXXGcmDecrypt* R_TSIP_AesXXXCcmEncrypt* R_TSIP_AesXXXCcmDecrypt*	Authenticated encryption with associated data (AEAD) AES-GCM, AES-CCM 128-/256-bit encryption and decryption XXX = 128, 256
3	R_TSIP_AesXXXCmacGenerate* R_TSIP_AesXXXCmacVerify*	Message authentication codes (MAC) AES-CMAC 128-/256-bit MAC operation XXX = 128, 256
4	R_TSIP_AESXXXKeyWrap R_TSIP_AESXXXKeyUnwrap	AES key wrap/ unwrap XXX = 128, 256

* = Init, Update, Final

A set of API functions that enable multi-part operations is provided for each type of symmetric cryptographic operation. For details on multi-part operations, refer to 3.4, Single-Part and Multi-Part Operations.

3.8.1 Symmetric Key Cryptography

The encryption operations for each AES mode operate as follows:

Call `R_TSIP_AesXXX[Mode]EncryptInit()` to specify the required key and initial vector. Call the `R_TSIP_AesXXX[Mode]EncryptUpdate()` function for the chunks of data comprising the plaintext message in consecutive block units. To complete the encryption operation, call `R_TSIP_AesXXX[Mode]EncryptFinal()`.

The decryption operations for each AES mode operate as follows:

Call `R_TSIP_AesXXX[Mode]DecryptInit()` to specify the required key and initial vector. Call the `R_TSIP_AesXXX[Mode]DecryptUpdate()` function for the chunks of data comprising the ciphertext message in consecutive block units. To complete the decryption operation, call `R_TSIP_AesXXX[Mode]DecryptFinal()`.

The TDES and ARC4 cryptographic APIs operate in the same way as those for AES.

Note: It is not recommended to use TDES and ARC4 because these algorithms are obsoleted.

3.8.2 Authenticated Encryption with Associated Data (AEAD)

The AES-GCM encryption operations operate as follows:

Call `R_TSIP_AesXXXGcmEncryptInit()` to specify the required key and initial vector.

Call the `R_TSIP_AesXXXGcmEncryptUpdate()` function for the chunks of data comprising the plaintext message in consecutive block units. To complete the encryption operation, call `R_TSIP_AesXXXGcmEncryptFinal()`.

The AES-GCM decryption operations operate as follows:

Call `R_TSIP_AesXXXGCMDecryptInit()` to specify the required key and initial vector. Call the `R_TSIP_AesXXXGCMDecryptUpdate()` function for the chunks of data comprising the ciphertext message in consecutive block units. To complete the decryption operation, compute the authentication tag, and verify it against a reference value, call `R_TSIP_AesXXXGcmDecryptFinal()`.

The AES-CCM cryptographic APIs operate in the same way as those for AES-GCM.

3.8.3 Message Authentication Code (MAC)

The MAC generation operations using AES-CMAC operate as follows:

Call `R_TSIP_AesXXXCmacGenerateInit()` to specify the required key. Call the `R_TSIP_AesXXXCmacGenerateUpdate()` function for the consecutive chunks of data comprising the message. To complete generating the MAC for the message, call `R_TSIP_AesXXXCmacGenerateFinal()`.

AES-CMAC verification operates as follows:

Call `R_TSIP_AesXXXCmacVerifyInit()` to specify the required key.

Call the `R_TSIP_AesXXXCmacVerifyUpdate()` function for the chunk of data comprising the message. To verify the MAC of the message, call `R_TSIP_AesXXXCmacVerifyFinal()` and specify the MAC required for verification.

3.9 Asymmetric Cryptography

The driver provides APIs for the following asymmetric cryptographic operations:

No.	API	Description
1	R_TSIP_RsaesPkcsXXXEncrypt R_TSIP_RsaesPkcsXXXDecrypt R_TSIP_RsaesOaepXXXEncrypt R_TSIP_RsaesOaepXXXDecrypt	[RSAES-PKCS1-V1_5 encrypt] XXX = 1024, 2048, 3072, 4096 [RSAES-PKCS1-V1_5 decrypt] XXX = 1024, 2048 [RSAES-OAEP encrypt/decrypt] XXX = 1024, 2048
2	R_TSIP_RsassaPkcsXXXSignatureGenerate R_TSIP_RsassaPkcsXXXSignatureVerification R_TSIP_RsassaPssXXXSignatureGenerate R_TSIP_RsassaPssXXXSignatureVerification R_TSIP_EcdsaPXXXSignatureGenerate R_TSIP_EcdsaPXXXSignatureVerification	[RSASSA-PKCS1-V1_5 Sign] XXX = 1024, 2048 [RSASSA-PKCS1-V1_5 verify] XXX = 1024, 2048, 3072, 4096 [RSASSA-PSS sign/verify] XXX = 1024, 2048 [ECDSA sign/verify] XXX = 192, 224, 256, 384

Only APIs that implement encryption, decryption, signature generation, and verification as single-part operations are provided for asymmetric cryptographic operations.

3.10 Hash Functions

The driver provides APIs for the following hash operations:

No.	API	Description
1	R_TSIP_ShaXXX* R_TSIP_Md5* R_TSIP_GetCurrentHashDigestValue	Message digests (hash functions) SHA-1, SHA-256 XXX = 1, 256
2	R_TSIP_ShaXXXHmacGenerate* R_TSIP_ShaXXXHmacVerify*	Message authentication codes (MAC) HMAC: HMAC-SHA1, HMAC-SHA256 XXX = 1, 256

* = Init, Update, Final

A set of API functions that enable multi-part operations is provided for each type of hash operation. For details on multi-part operations, refer to 3.4, Single-Part and Multi-Part Operations.

3.10.1 Message Digest (Hash Function)

The hash operation APIs are used as follows:

Call R_TSIP_ShaXXXInit() to specify the newly allocated work area for the operation. Call R_TSIP_ShaXXXUpdate() for the consecutive chunks of data comprising the message. Call R_TSIP_ShaXXXFinal() to calculate the digest of the message. R_TSIP_GetCurrentHashDigestValue() can be called after R_TSIP_ShaXXXUpdate() to retrieve data while the hash operation is in progress.

The MD5 APIs are used in the same way as those for SHA.

Note: It is not recommended to use MD5 and SHA-1 because these algorithms are obsoleted.

3.10.2 Message Authentication Code (HMAC)

The HMAC generation APIs are used as follows:

Call `R_TSIP_ShaXXXHmacGenerateInit()` to specify the required key and newly allocated work area for the operation. Call `R_TSIP_ShaXXXHmacGenerateUpdate()` for the consecutive chunks of data comprising the message. To complete MAC generation for the message, call `R_TSIP_ShaXXXHmacGenerateFinal()`.

The HMAC verification APIs are used as follows:

Call `R_TSIP_ShaXXXHmacVerifyInit()` to specify the required key and newly allocated work area for the operation. Call `R_TSIP_ShaXXXHmacVerifyUpdate()` for the consecutive chunks of data comprising the message. To verify the MAC of a message, call `R_TSIP_ShaXXXHmacVerifyFinal()` and specify the required MAC for verification.

3.11 ECDH Key Exchange

The driver provides APIs for the following ECDH key exchange operations:

No.	API	Description
1	<code>R_TSIP_EcdhP256Init</code>	Performs ECDH key exchange initialization.
2	<code>R_TSIP_EcdhP256ReadPublicKey</code>	Verifies the public key and signature of the other ECDH key exchange party and extracts the public key.
3	<code>R_TSIP_EcdhP256MakePublicKey</code>	Generates a temporary key (ephemeral key) and signature from a random number.
4	<code>R_TSIP_EcdhP256CalculateSharedSecretIndex</code>	Calculates the shared secret Z using the ECDH key exchange algorithm.
5	<code>R_TSIP_EcdhP256KeyDerivation</code>	Derives the key from the shared secret Z.
6	<code>R_TSIP_EcdhP256SshKeyDerivation</code>	Derives the key to use in SSH from the shared secret Z.

The ECDH key exchange APIs conform to NIST SP800-56A.

The way the APIs are used for key exchange differs depending on whether a previously injected key (static key) or a temporary key generated from a random number (ephemeral key) is used. Usage of the APIs with the Ephemeral Unified Model, One-Pass Diffie-Hellman, and Static Unified Model key exchange schemes defined by NIST SP800-56A is described below.

3.11.1 Ephemeral Unified Model (2e, 0s)

Under the Ephemeral Unified Model, an ephemeral key pair is generated between the other key exchange party (party U) and yourself (party V), and an ECDH key exchange takes place.

1. Execute R_TSIP_EcdhP256Init() to initialize the key exchange scheme. Specify 0 (ECDHE) for the key_type parameter of R_TSIP_EcdhP256Init().
2. Use R_TSIP_EcdhP256ReadPublicKey() to verify the public key (QeU) and signature (sig) received from party U. If the signature is correct, QeU_index is output.
3. Execute R_TSIP_EcdhP256MakePublicKey() to generate an ephemeral key pair (QeV and deV_index).
4. Input QeU_index and deV_index to R_TSIP_EcdhP256CalculateSharedSecretIndex() to generate shared_secret_index.
5. Input shared_secret_index and other information to R_TSIP_EcdhP256KeyDerivation() to derive the key. Party U and party V must use the same value for other information. When to derive the key to use in SSH, execute R_TSIP_EcdhP256SshKeyDerivation() instead of the function.

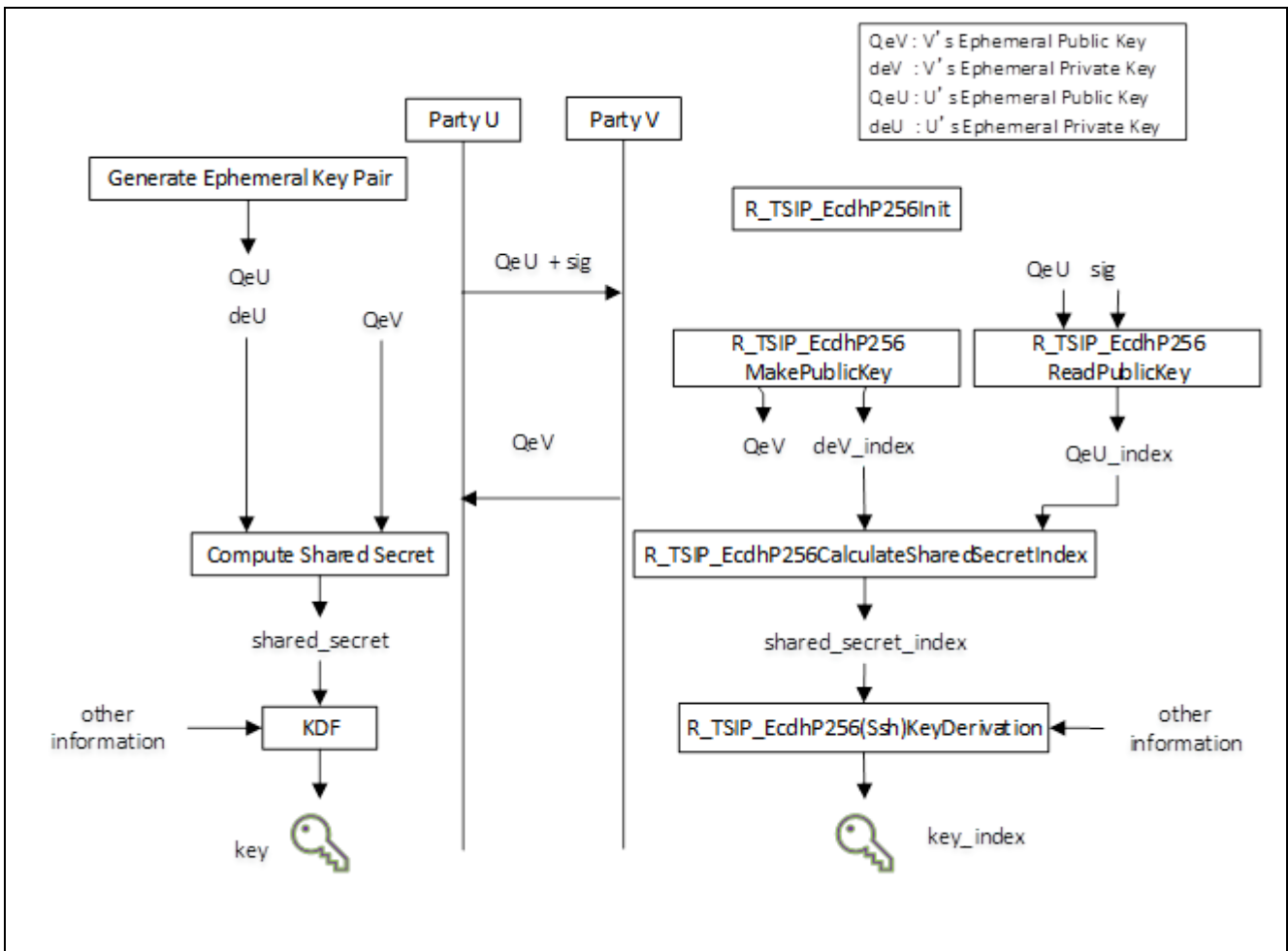


Figure 3.5 Key Exchange Scheme Using Ephemeral Unified Model

3.11.2 One-Pass Diffie-Hellman (1e, 1s)

Under One-Pass Diffie-Hellman, an ephemeral key generated by the other key exchange party (party U) and your own (party V's) static key are used for ECDH key exchange. Before commencing the key exchange scheme, party U must obtain party V's public key (QsV).

1. Execute R_TSIP_EcdhP256Init() to initialize the key exchange scheme. Specify 1 (ECDH) for the key_type parameter of R_TSIP_EcdhP256Init().
2. Use R_TSIP_EcdhP256ReadPublicKey() to verify the public key (QeU) and signature (sig) received from party U. If the signature is correct, QeU_index is output.
3. Generate a wrapped key (dsV_index) for the secret key (dsV) corresponding to the public key of party V (QsV), which is in the possession of party U.
4. Input QeU_index and dsV_index to R_TSIP_EcdhP256CalculateSharedSecretIndex() to generate shared_secret_index.
5. Input shared_secret_index and other information to R_TSIP_EcdhP256KeyDerivation() to derive the key. Party U and party V must use the same value for other information. When to derive the key to use in SSH, execute R_TSIP_EcdhP256SshKeyDerivation() instead of the function.

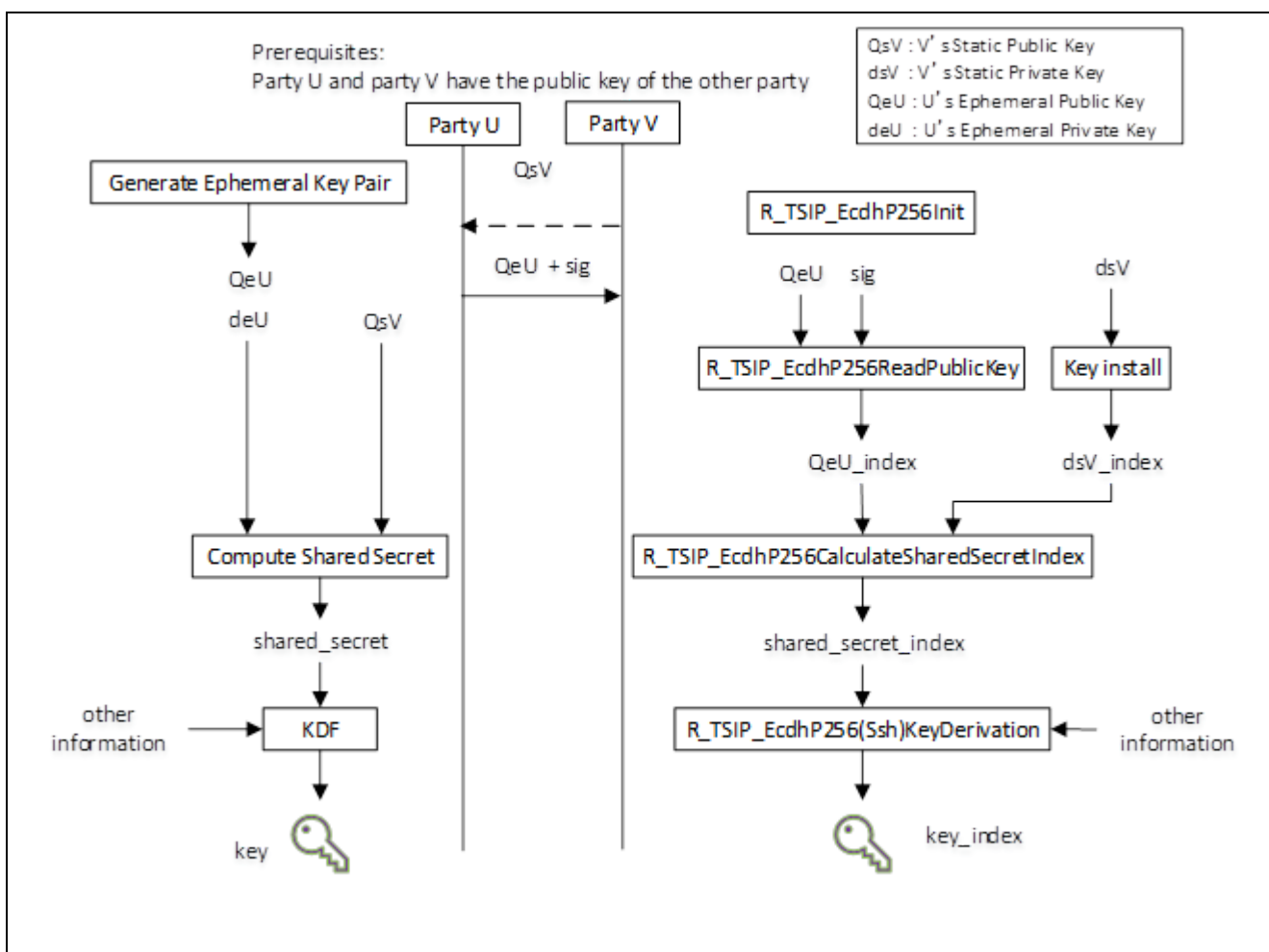


Figure 3.6 Key Exchange Scheme Using One-Pass Diffie-Hellman

3.11.3 Static Unified Model (0e, 2s)

Under the Static Unified Model, the static key of the other key exchange party (party U) and your own (party V's) static key are used for ECDH key exchange. Before commencing the key exchange scheme, both parties must obtain each other's public keys.

1. Execute R_TSIP_EcdhP256Init() to initialize the key exchange scheme. Specify 1 (ECDH) for the key_type parameter of R_TSIP_EcdhP256Init().
2. Use R_TSIP_EcdhP256ReadPublicKey() to verify the public key (QeU) and signature (sig) received from party U. If the signature is correct, QeU_index is output.
3. Generate a wrapped key (dsV_index) for the secret key (dsV) corresponding to the public key of party V (QsV), which is in the possession of party U.
4. Input QeU_index and dsV_index to R_TSIP_EcdhP256CalculateSharedSecretIndex() to generate shared_secret_index.
5. Input shared_secret_index and other information to R_TSIP_EcdhP256KeyDerivation() to derive the key. Party U and party V must use the same value for other information. Also, include the nonce generated by party U in other information. This prevents the same identical key from being derived each time static keys are used for ECDH key exchange.

When to derive the key to use in SSH, execute R_TSIP_EcdhP256SshKeyDerivation() instead of the function.

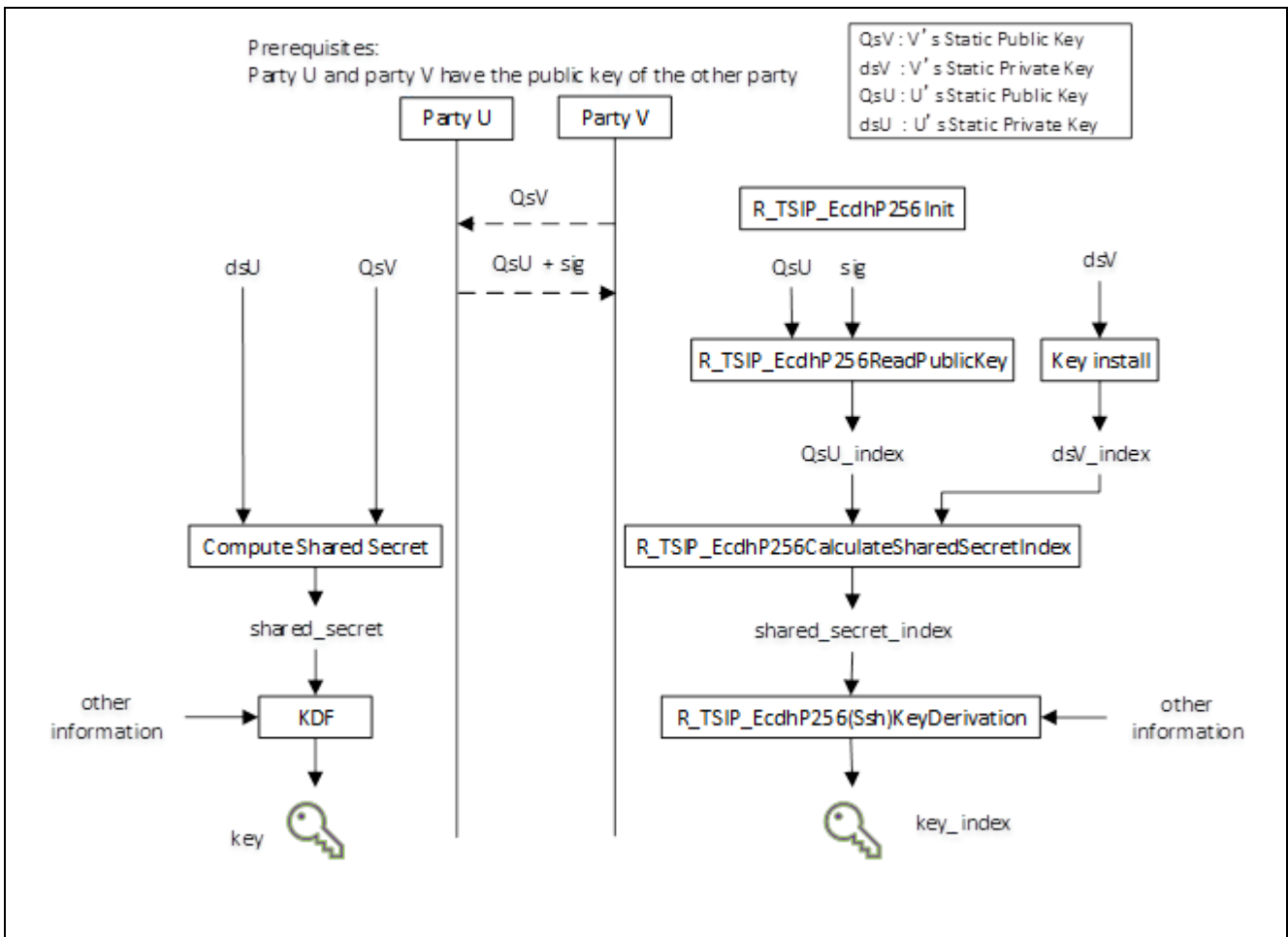


Figure 3.7 Key Exchange Scheme Using Static Unified Model

3.12 TLS Cooperation Function (TLS 1.2)

The TLS cooperation function (TLS 1.2) APIs conform to RFC 5246.

The provided TLS cooperation functionality supports the TLS 1.2 cooperation function in the form of a TLS 1.2 client function and TLS 1.2 server function.

3.12.1 TLS 1.2 Client Function

No.	API	Description
1	R_TSIP_TlsRegisterCaCertificationPublicKeyIndex	Used in common by all functions.
2	R_TSIP_GenerateTlsRsaPublicKeyIndex R_TSIP_UpdateTlsRsaPublicKeyIndex R_TSIP_TlsRootCertificateVerification R_TSIP_TlsCertificateVerification R_TSIP_TlsCertificateVerificationExtension	Used in common by both TLS 1.2 and TLS 1.3 Client functions.
3	R_TSIP_TlsGenerateServerRandom R_TSIP_TlsEncryptPreMasterSecretWithRsa2048PrivateKey R_TSIP_TlsGenerateMasterSecret R_TSIP_TlsGenerateSessionKey R_TSIP_TlsGenerateVerifyData R_TSIP_TlsServersEphemeralEcdhPublicKeyRetrieves R_TSIP_GenerateTlsP256EccKeyIndex R_TSIP_TlsGeneratePreMasterSecretWithEccP256Key R_TSIP_TlsGenerateExtendedMasterSecret R_TSIP_TlsCertificateVerifyVerification	Used by TLS 1.2 Client function.
4	R_TSIP_Aes128CbcEncryptInit/Update/Final R_TSIP_Aes256CbcEncryptInit/Update/Final R_TSIP_Aes128CbcDecryptInit/Update/Final R_TSIP_Aes256CbcDecryptInit/Update/Final R_TSIP_Aes128GcmEncryptInit/Update/Final R_TSIP_Aes256GcmEncryptInit/Update/Final R_TSIP_Aes128GcmDecryptInit/Update/Final R_TSIP_Aes256GcmDecryptInit/Update/Final R_TSIP_Sha1HmacGenerateInit/Update/Final R_TSIP_Sha1HmacVerifyInit/Update/Final R_TSIP_Sha256HmacGenerateInit/Update/Final R_TSIP_Sha256HmacVerifyInit/Update/Final R_TSIP_EcdsaP256SignatureGenerate R_TSIP_RsassaPkcs2048SignatureGenerate R_TSIP_RsassaPss2048SignatureGenerate	General APIs are used for TLS cooperation function.

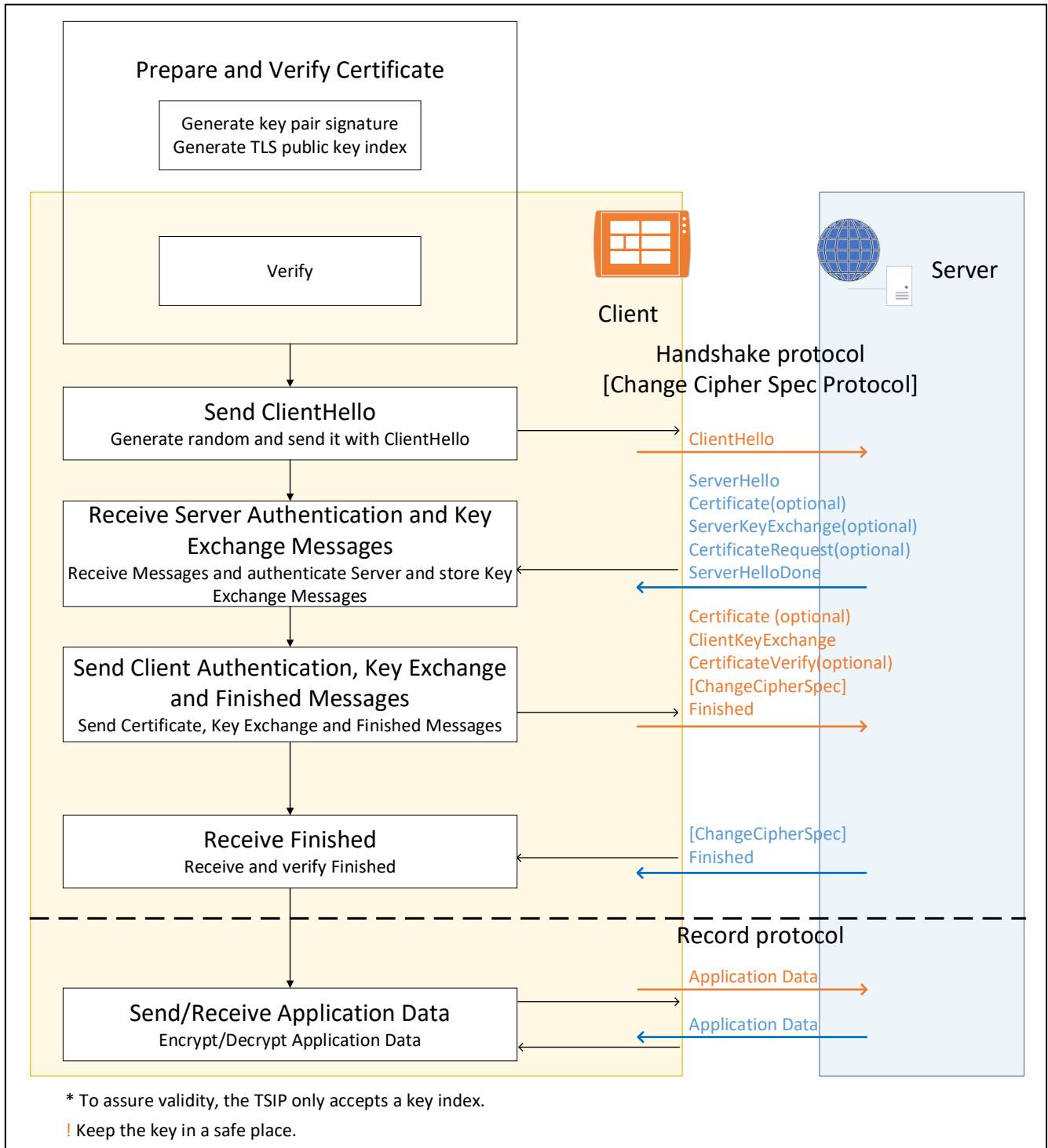


Figure 3.8 Implementation Using TLS 1.2 Client Function

1. Preparing and Verifying Certificates

1.1 Before using TLS cooperation function, prepare the items below.

- root CA certificate which the server connects to
- RSA 2048bit key pair
- client certificate.

1.2 Generate signature value of the prepared root CA certificate with using the private key of the key pair. The signature algorithm is RSA2048 PSS with SHA256. And generate Encrypted Key of the public key of the key pair with using UFPK. Note that the above procedure must be executed in a safe site.

When there are multiple servers connects to and needed to register multiple root CA certificate, generate signature value of the root CA certificate bundle. It is possible to prevent making connection with an unintentional server with generating signature of the root CA certificate.

1.3 Use `R_TSIP_TlsRsaPublicKeyIndex` with the Encrypted Key of the RSA public key as input to generate an RSA public wrapped key. Please refer to 3.7.1, Key Injection and Updating for more detail.

1.4 Use `R_TSIP_TlsRegisterCaCertificationPublicKey()` or `R_TSIP_Open()` to register the RSA wrapped key to the TSIP driver. When `R_TSIP_Open()` is used to register the wrapped key, call the API after using `R_TSIP_Close`.

1.5 Use `R_TSIP_TlsRootCertificateVerification()` to verify the root CA certificate bundle and generate an encrypted root CA certificate public key.

1.6 Use `R_TSIP_TlsCertificateVerification()` or `R_TSIP_TlsCertificateVerificationExtension()` with the encrypted root CA certificate public key and client certificate public key as input to generate an encrypted client certificate public key.

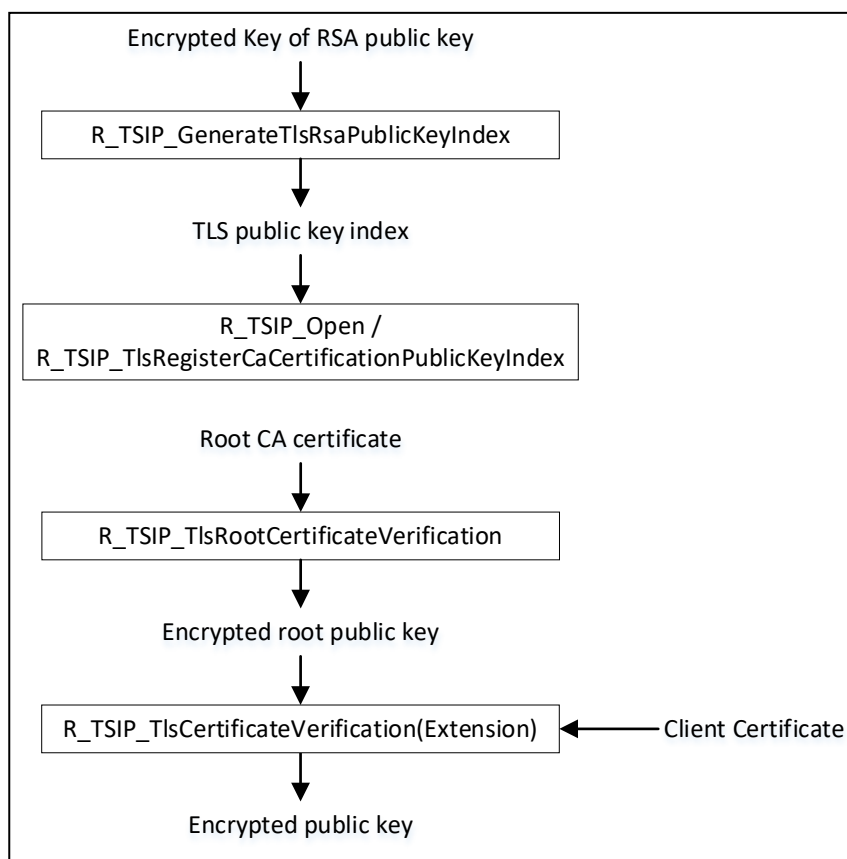


Figure 3.9 Preparing and Verifying Certificates

2. Sending ClientHello
 - 2.1 Send ClientHello.
3. Receiving Server Authentication and Key Exchange Messages
 - 3.1 Receive ServerHello and the random field in it.
 - 3.2 When (Server) certificate is received, use `R_TSIP_TlsCertificateVerification()` or `R_TSIP_TlsCertificateVerificationExtension()` to generate an encrypted public key.
 - 3.3-a When the key exchange method is ECDHE, extract the signature and ECDH public key from `ServerKeyExchange` and generate pre-master secret.
 - 3.3-a.1 Use `R_TSIP_GenerateTlsP256EccKeyIndex()` to generate an ECC key pair.
 - 3.3-a.2 Use `R_TSIP_TlsServersEphemeralEcdhPublicKeyRetrieves()` with the ECDH public key, (Server) certificate and handshake messages as input to generate encrypted ephemeral ECDH public key.
 - 3.3-a.3 Use `R_TSIP_TlsGeneratePreMasterSecretWithEccP256Key()` with the ephemeral ECDH public key and the wrapped ECC private key generated in 3.3-a.1 as input to generate encrypted ephemeral pre-master secret.
 - 3.3-b When the key exchange method is RSA, nothing to do here.

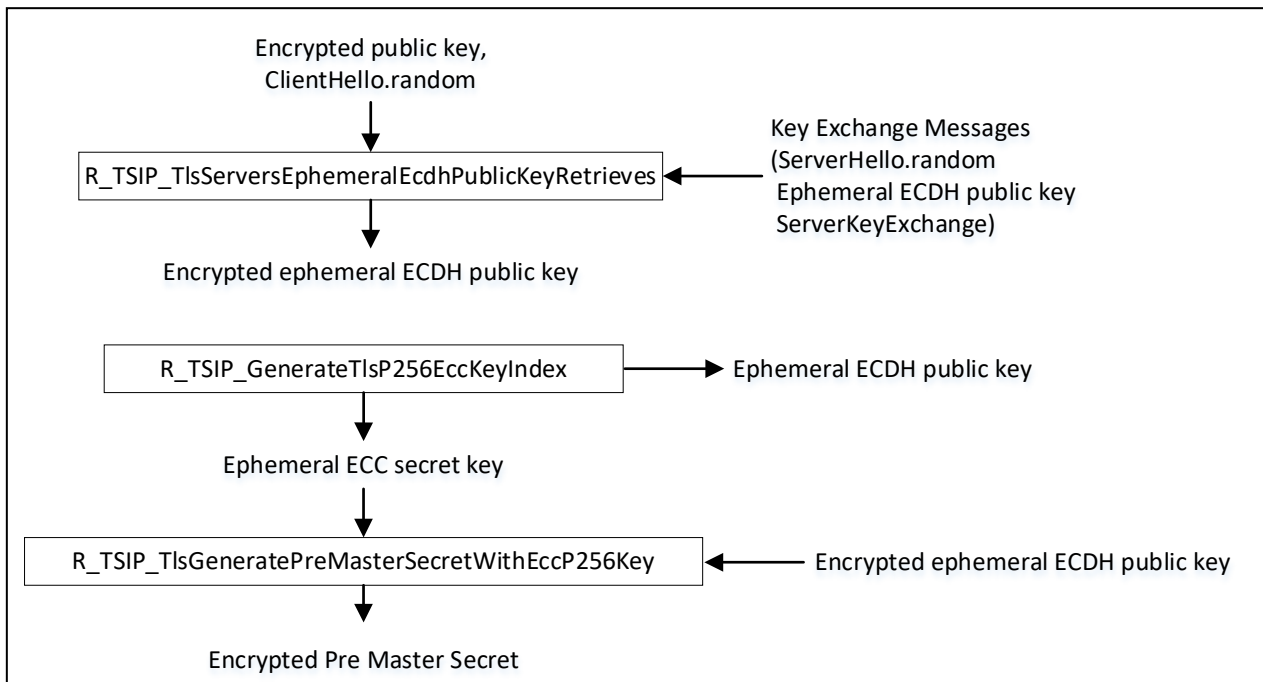
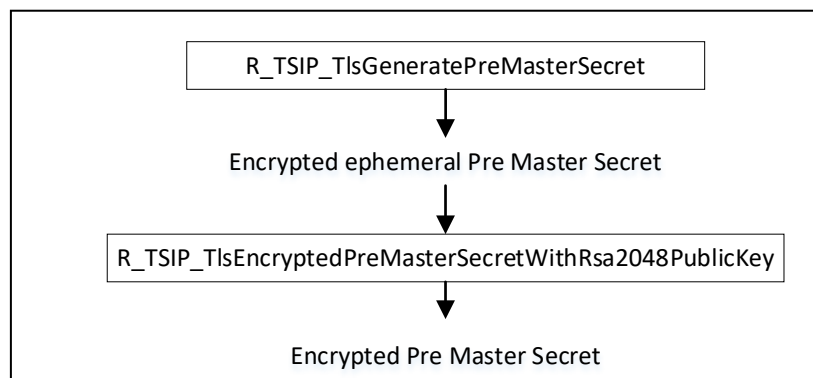


Figure 3.10 Receiving Server Authentication and Key Exchange Messages

4. Sending Client Authentication and Key Exchange Messages
 - 4.1 When `CertificateRequest` is received, send client certificate as (Client) Certificate to the server.
 - 4.2-a When the key exchange method is ECDHE, generate `ClientKeyExchange` with using ECDH public key.
 - 4.2-a.1 Use ECDH public key generated in 3.3.1 as `ClientECDiffieHelmanPublic` field in `ClientKeyExchange`.
 - 4.2-b When the key exchange method is RSA, generate `ClientKeyExchange` with generating pre-master secret.
 - 4.2-b.1 Use `R_TSIP_TlsGeneratePreMasterSecret()` to generate an encrypted ephemeral pre-master secret.

- 4.2-b.2 Use `R_TSIP_TlsEncryptPreMasterSecretWithRsa2048PublicKey()` with the encrypted ephemeral pre-master secret and (Server) Certificate as input to generate an encrypted ephemeral pre-master secret to use in `ClientKeyExchange`.
- 4.3 When `CertificateVerify` is needed, use `R_TSIP_EcdsaP256SignatureGenerate()`, `R_TSIP_RsassaPkcs2048SignatureGenerate()` or `R_TSIP_RsassaPss24048SignatureGenerate()` to generate it.
- 4.4 Use `R_TSIP_TlsGenerateMasterSecret()` with encrypted ephemeral pre-master secret as input to generate encrypted ephemeral master secret.
- 4.5 When extended master secret is to be generated, use `R_TSIP_TlsGenerateExtendedMasterSecret()` with encrypted ephemeral pre-master secret as input to generate encrypted ephemeral extended master secret.
- 4.6 Use `R_TSIP_TlsGenerateSessionKey()` with encrypted ephemeral master secret or encrypted ephemeral extended master secret and each handshake message as input to generate each wrapped key to use in the TLS connection.
- 4.7 Generate (Client) Finished.
- 4.7.1 Use `R_TSIP_TlsGenerateVerifyData()` with encrypted ephemeral master secret or encrypted ephemeral extended master secret and hash value of the handshake messages as input to generate (Client) `VerifyData` to use in (Client) Finished.
- 4.7.2 When AES CBC mode is used as the cipher suite, use APIs of AES CBC encryption and HMAC generation with wrapped AES key and wrapped MAC key for Client -> Server communication generated in 4.6 and (Client) `VerifyData` generated in 4.7.1 as input to generate (Client) Finished.
- 4.7.3 When AES GCM mode is used as the cipher suite, use APIs of AES GCM encryption with wrapped AES key for Client -> Server communication generated in 4.6 and (Client) `VerifyData` generated in 4.7.1 as input to generate (Client) Finished.
- 4.8 Send each authentication and key exchange messages.



**Figure 3.11 Sending Client Authentication and Key Exchange Messages
(Generating pre-master secret for RSA)**

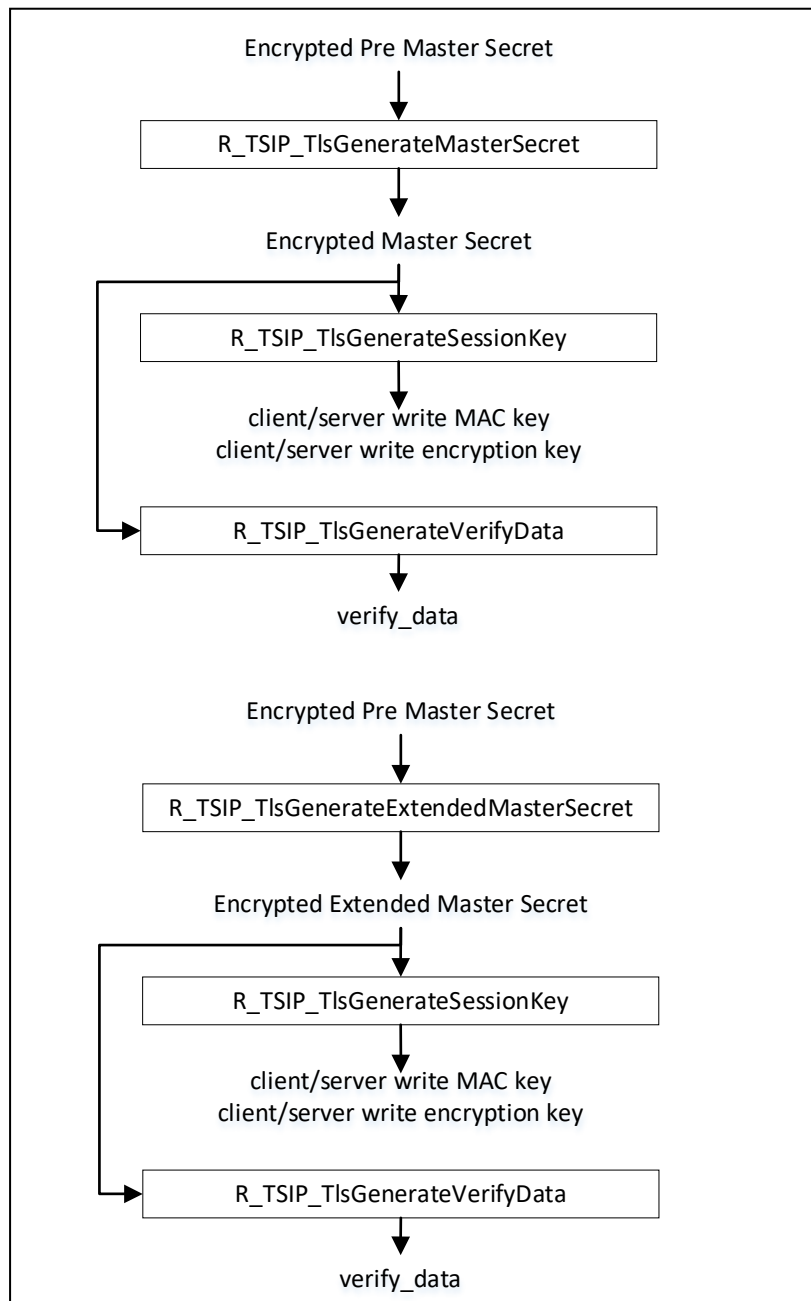


Figure 3.12 Sending Client Authentication and Key Exchange Messages (Generating VerifyData)

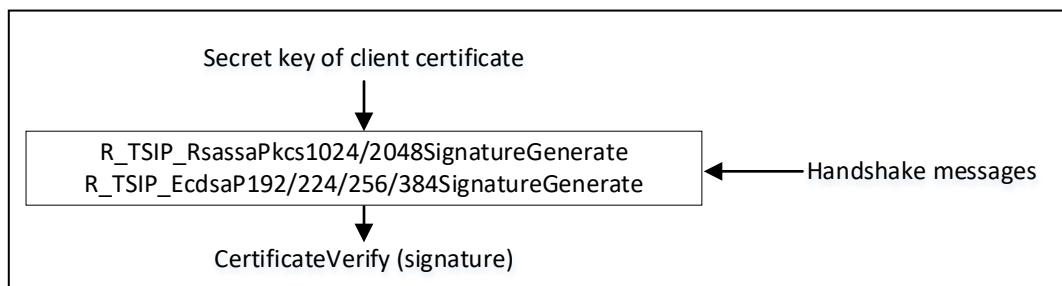


Figure 3.13 Sending Client Authentication and Key Exchange Messages (Generating CertificateVerify)

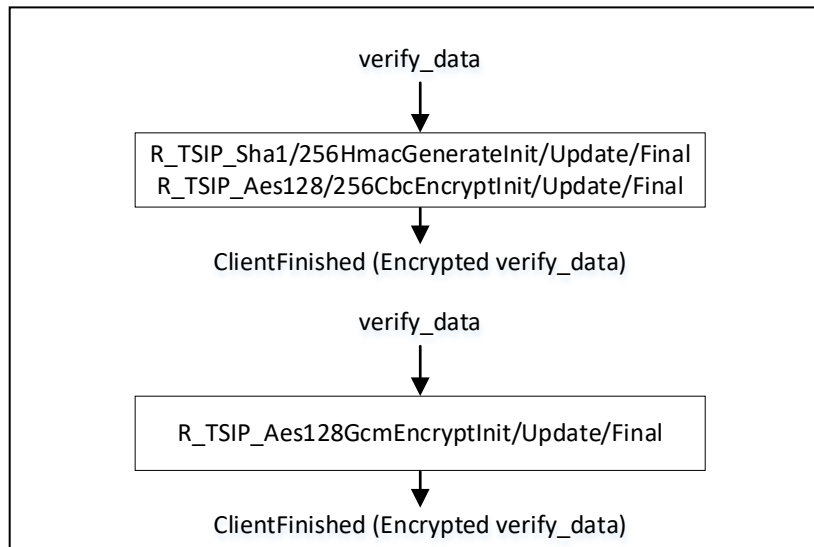


Figure 3.14 Sending Client Authentication and Key Exchange Messages (Generating ClientFinished)

5. Receiving Finished

5.1 Use `R_TSIP_TlsGenerateVerifyData()` with encrypted ephemeral master secret or encrypted ephemeral extended master secret and hash value of the handshake messages as input to generate (Server) `VerifyData`.

5.2 Verify (Server) `Finished`.

5.2.1-a When AES CBC mode is used as the cipher suite, use APIs of AES CBC encryption and HMAC generation with wrapped AES key and wrapped MAC key for Server -> Client communication generated in 4.6 and (Server) `Finished` as input to decrypt `VerifyData`.

5.2.1-b When AES GCM mode is used as the cipher suite, use APIs of AES GCM encryption with wrapped AES key for Server -> Client communication generated in 4.6 and (Server) `Finished` as input to decrypt `VerifyData`.

5.2.2 Check the equality between the (Server) `VerifyData` generated in 5.1 and the `VerifyData` decrypted in 5.2.1-a or 5.2.1-b.

6. Sending/Receiving Application Data

6.1-a When AES CBC mode is used as the cipher suite, use APIs of AES CBC encryption/decryption and HMAC generation/verification with wrapped AES key and wrapped MAC key generated in 4.6 to encrypt/decrypt Application Data.

6.1-b When AES GCM mode is used as the cipher suite, use APIs of AES GCM encryption/decryption with wrapped AES key generated in 4.6 to encrypt/decrypt Application Data.

3.12.2 TLS 1.2 Server Function

No.	API	Description
1	R_TSIP_TlsRegisterCaCertificationPublicKeyIndex	Used in common by all functions.
2	R_TSIP_GenerateTlsSVRsaPublicKeyIndex R_TSIP_UpdateTlsSVRsaPublicKeyIndex R_TSIP_TlsSVRootCertificateVerification R_TSIP_TlsSVCertificateVerification R_TSIP_TlsSVCertificateVerificationExtension	Used in common by both TLS 1.2 and TLS 1.3 Server functions.
3	R_TSIP_TlsSVGenerateServerRandom R_TSIP_TlsSVDecryptPreMasterSecretWithRsa2048PrivateKey R_TSIP_TlsSVGenerateMasterSecret R_TSIP_TlsSVGenerateSessionKey R_TSIP_TlsSVGenerateVerifyData R_TSIP_GenerateTlsSVP256EccKeyIndex R_TSIP_TlsSVGeneratePreMasterSecretWithEccP256Key R_TSIP_TlsSVGenerateExtendedMasterSecret R_TSIP_TlsSVCertificateVerifyVerification	Used by TLS 1.2 Server function.
4	R_TSIP_Aes128CbcEncryptInit/Update/Final R_TSIP_Aes256CbcEncryptInit/Update/Final R_TSIP_Aes128CbcDecryptInit/Update/Final R_TSIP_Aes256CbcDecryptInit/Update/Final R_TSIP_Aes128GcmEncryptInit/Update/Final R_TSIP_Aes256GcmEncryptInit/Update/Final R_TSIP_Aes128GcmDecryptInit/Update/Final R_TSIP_Aes256GcmDecryptInit/Update/Final R_TSIP_Sha1HmacGenerateInit/Update/Final R_TSIP_Sha1HmacVerifyInit/Update/Final R_TSIP_Sha256HmacGenerateInit/Update/Final R_TSIP_Sha256HmacVerifyInit/Update/Final	General APIs are used for TLS cooperation function.

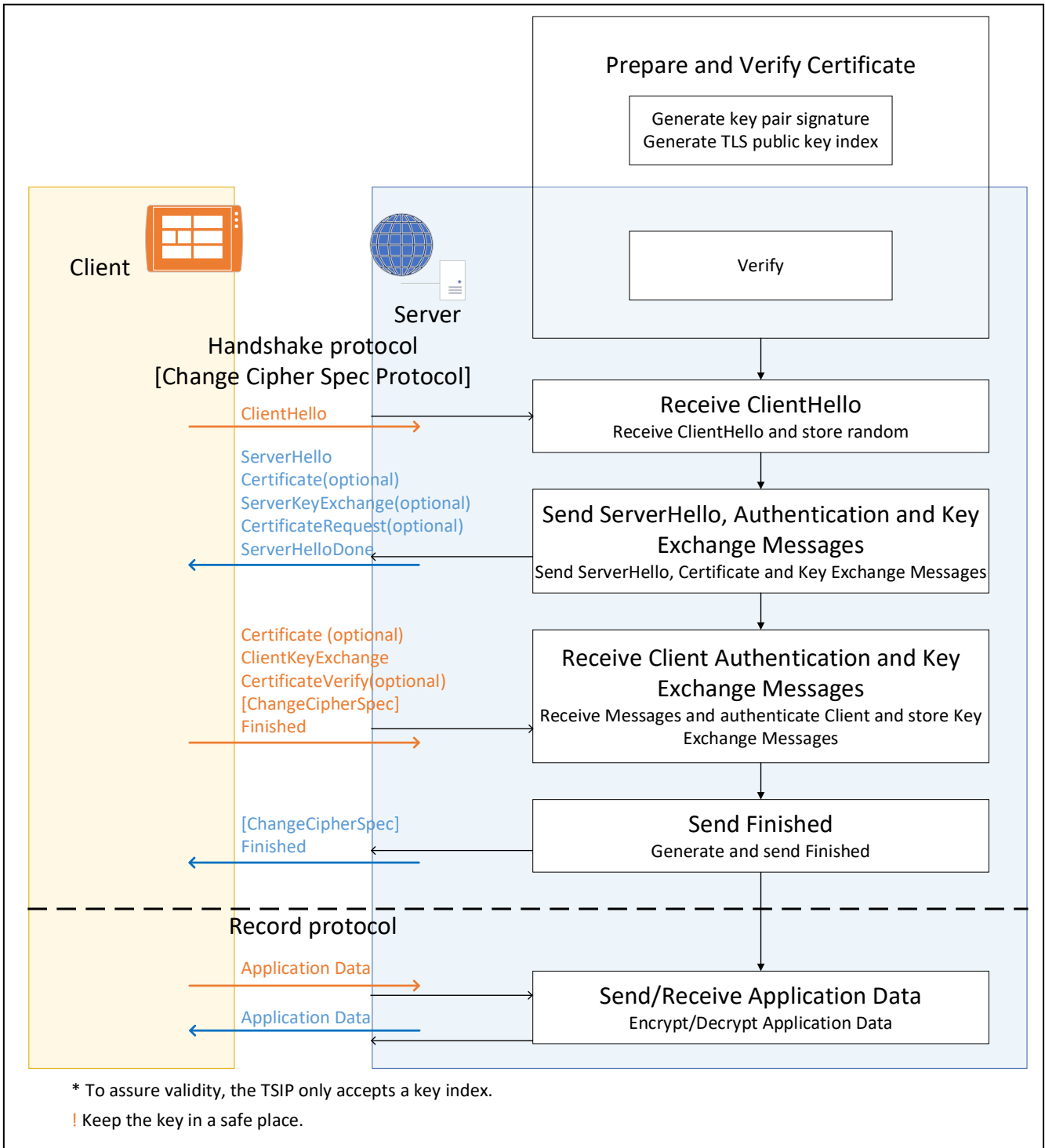


Figure 3.15 Implementation Using TLS 1.2 Server Function

1. Preparing and Verifying Certificates

1.1 Before using TLS cooperation function, prepare the items below.

- root CA certificate which the server connects to
- RSA 2048bit key pair
- server certificate.

1.2 Generate signature value of the prepared root CA certificate with using the private key of the key pair. The signature algorithm is RSA2048 PSS with SHA256. And generate Encrypted Key of the public key of the key pair with using UFPK. Note that the above procedure must be executed in a safe site.

When multiple root CA certificate are needed to register, generate signature value of the root CA certificate bundle. It is possible to prevent making connection with using an unauthorized root CA certificate.

1.3 Use `R_TSIP_TlsSVRsaPublicKeyIndex` with the Encrypted Key of the RSA public key as input to generate an RSA public wrapped key. Please refer to 3.7.1, Key Injection and Updating for more detail.

1.4 Use `R_TSIP_TlsRegisterCaCertificationPublicKey()` to register the RSA wrapped key to the TSIP driver.

1.5 Use `R_TSIP_TlsSVRootCertificateVerification()` to verify the root CA certificate bundle and generate an encrypted root CA certificate public key.

1.6 Use `R_TSIP_TlsSVCertificateVerification()` or `R_TSIP_TlsSVCertificateVerificationExtension()` with the encrypted root CA certificate public key and server certificate public key as input to generate an encrypted server certificate public key.

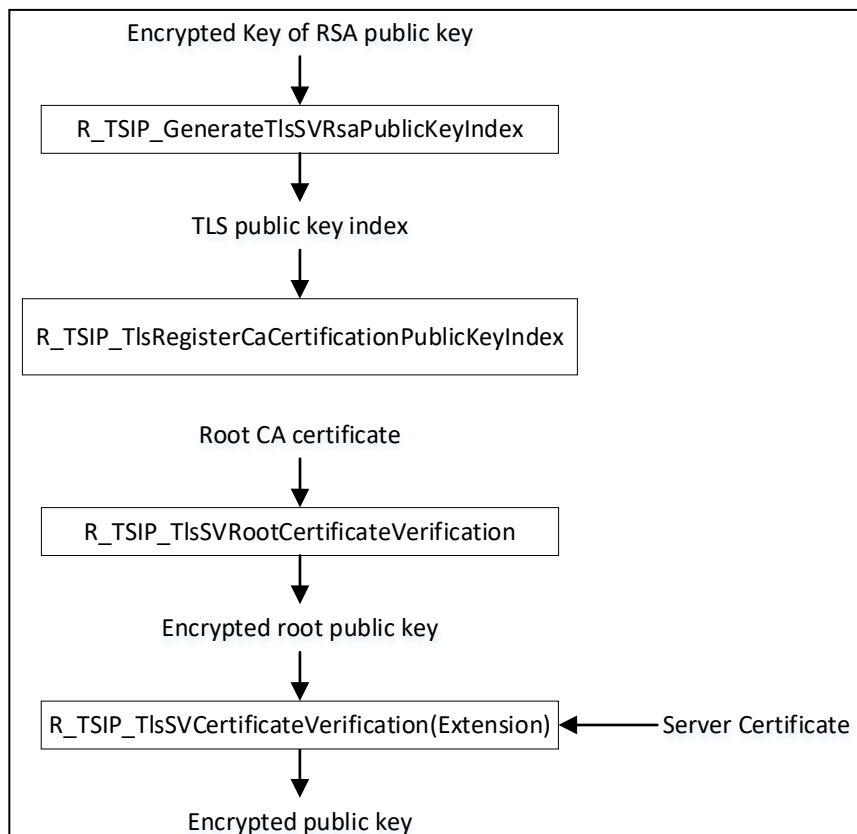


Figure 3.16 Preparing and Verifying Certificates

2. Receiving ClientHello

2.1 Receive ClientHello and the random field in it.

3. Sending ServerHello, Authentication and Key Exchange Messages

3.1 Use R_TSIP_TlsSVGenerateServerRandom() to generate a random number value to use in ServerHello.

3.2-a When the key exchange method is ECDHE, generate ServerKeyExchange.

3.2-a.1 Use R_TSIP_GenerateTlsSVP256EccKeyIndex() to generate an ECC key pair. The ECDH public key of the key pair is used as public field of params in ServerKeyExchange.

3.2-a.2 Use R_TSIP_EcdsaP256SignatureGenerate() with the wrapped private key of (server) certificate and hash value of the handshake messages as input to generate the signature. The signature is used as signed_params field in ServerKeyExchange.

3.2-b When the key exchange method is RSA, nothing to do here.

3.3 Send ServerHello, authentication and key exchange method is RSA, nothing to do here.

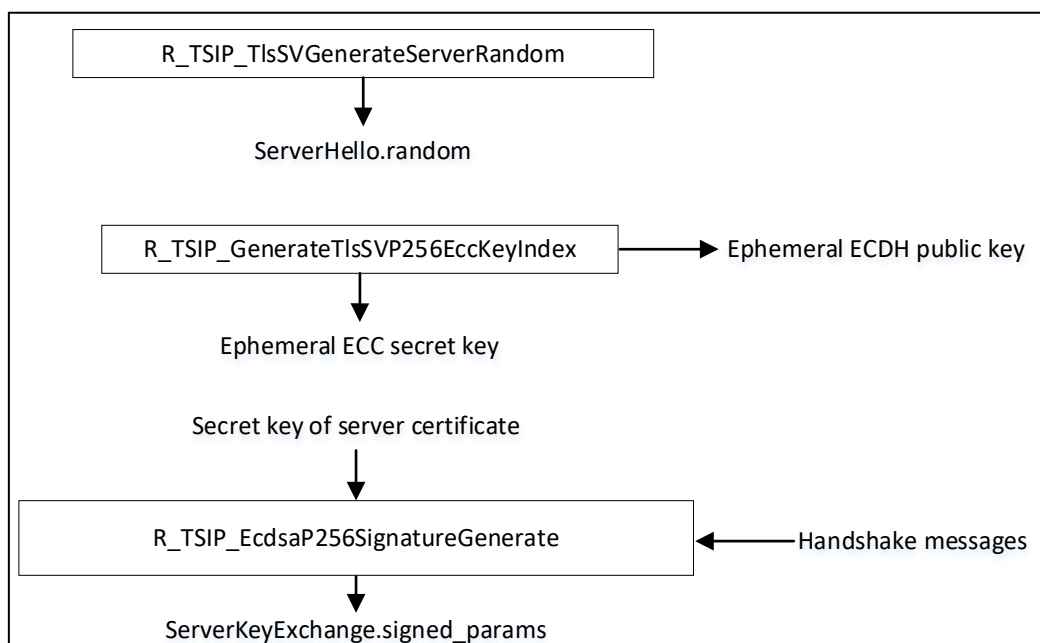


Figure 3.17 Sending ServerHello, Authentication and Key Exchange Messages

4. Receiving Client Authentication and Key Exchange Messages

4.1 When (Client) Certificate is received, use R_TSIP_TlsSVCertificateVerification() or R_TSIP_TlsSVCertificateVerificationExtension() to generate an encrypted public key.

4.2-a When the key exchange method is ECDHE, extract ECDH public key from ClientKeyExchange and generate pre-master secret.

4.2-a.1 Use R_TSIP_TlsSVGeneratePreMasterSecretWithEccP256Key() with the ECDH public key in ClientKeyExchange and wrapped ECC private key generated in 3.3.1 as input to generate encrypted ephemeral pre-master secret.

4.2-b When the key exchange method is RSA, extract pre-master secret from ClientKeyExchange.

4.2-b.1 Use R_TSIP_TlsSVDecryptPreMasterSecretWithRsa2048PrivateKey() with encrypted pre-master secret in ClientKeyExchange and wrapped RSA private key of (Server) Certificate as input to generate the encrypted ephemeral pre-master secret.

- 4.3 Use `R_TSIP_TlsSVGenerateMasterSecret()` with encrypted ephemeral pre-master secret in `ClientKeyExchange` and wrapped RSA private key of (Server) Certificate as input to generate the encrypted ephemeral master secret.
- 4.4 When extended master secret is to be generated, use `R_TSIP_TlsSVGenerateExtendedMasterSecret()` with encrypted ephemeral pre-master secret as input to generate encrypted ephemeral extended master secret.
- 4.5 When `CertificateVerify` is received, use `R_TSIP_TlsSVCertificateVerifyVerification()` to verify it.
- 4.6 Use `R_TSIP_TlsSVGenerateSessionKey()` with encrypted ephemeral master secret or encrypted ephemeral extended master secret and each handshake message as input to generate each wrapped key to use in the TLS connection.
- 4.7 Verify (Client) Finished.
- 4.7.1 Use `R_TSIP_TlsSVGenerateVerifyData()` with encrypted ephemeral master secret or encrypted ephemeral extended master secret and hash value of the handshake messages as input to generate (Client) `VerifyData` to compare to (Client) Finished.
- 4.7.2-a When AES CBC mode is used as the cipher suite, use APIs of AES CBC decryption and HMAC verification with wrapped AES key and wrapped MAC key for Client -> Server communication generated in 4.6 and (Client) Finished as input to decrypt (Client) `VerifyData`.
- 4.7.2-b When AES GCM mode is used as the cipher suite, use APIs of AES GCM decryption with wrapped AES key for Client -> Server communication generated in 4.6 and (Client) Finished as input to decrypt (Client) `VerifyData`.
- 4.7.3 Check the equality between the (Client) `VerifyData` generated in 4.7.1 and the `VerifyData` decrypted in 4.7.2-a or 4.7.2-b.

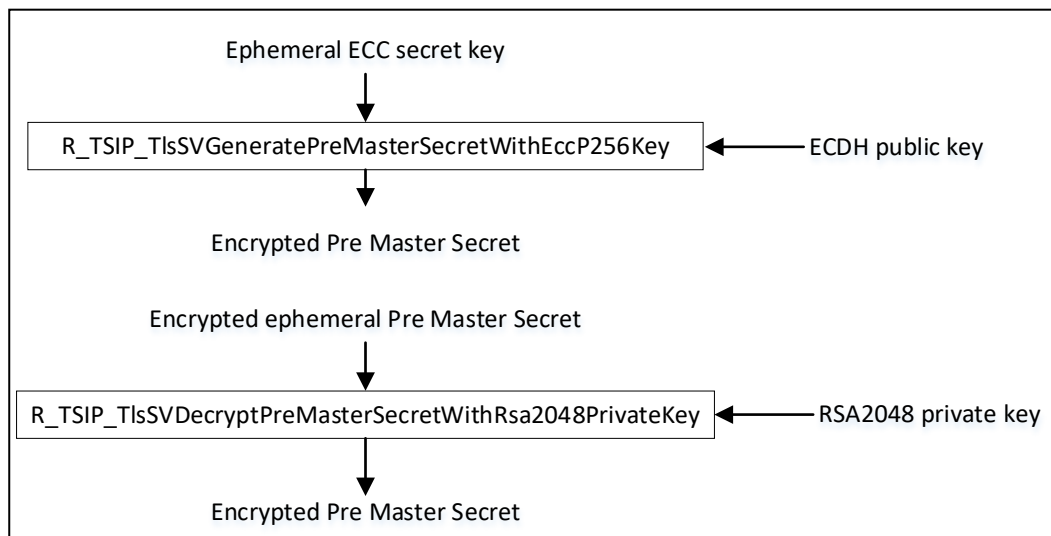


Figure 3.18 Receiving Client Authentication and Key Exchange Messages (Generating Pre Master Secret)

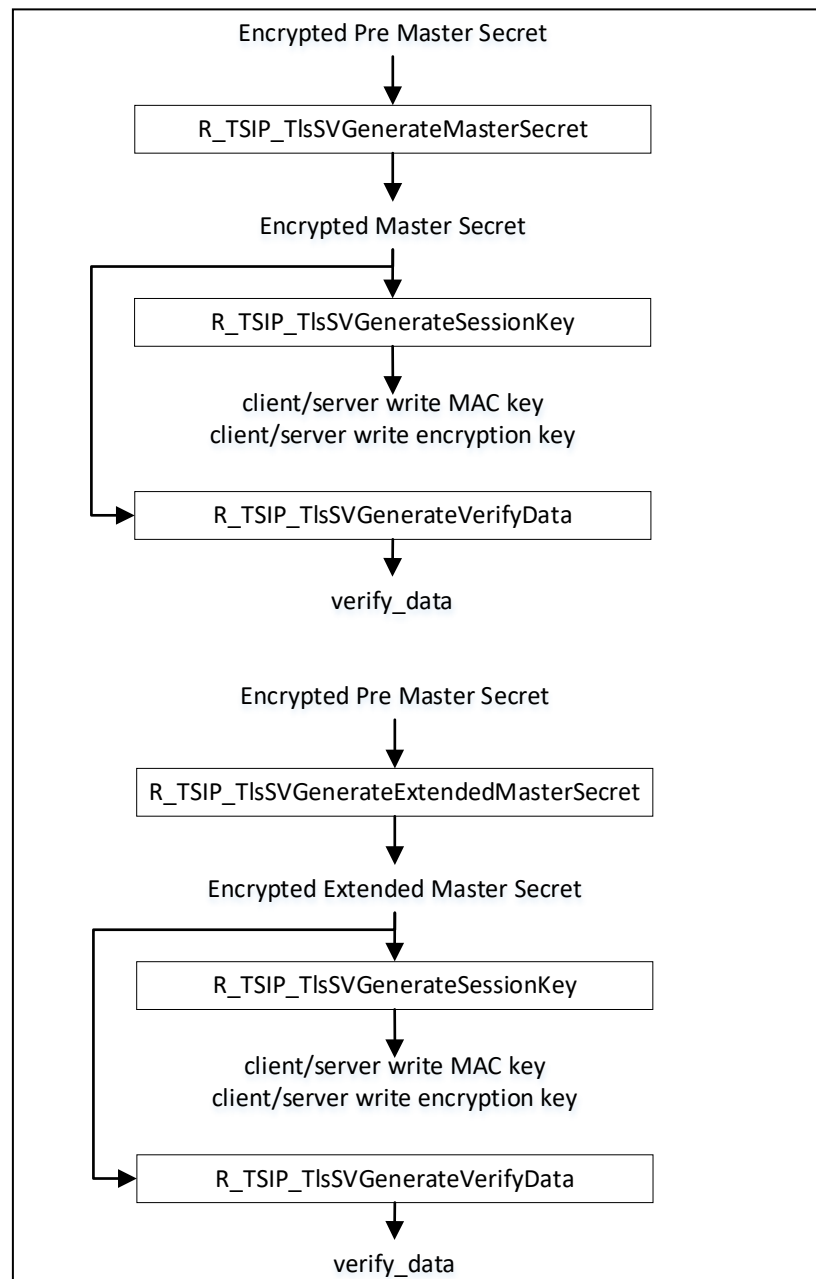


Figure 3.19 Receiving Client Authentication and Key Exchange Messages (Generating VerifyData)

5. Sending Finished

5.1 Use R_TSIP_TlsSVGenerateVerifyData() with encrypted ephemeral master secret or encrypted ephemeral extended master secret and hash value of the handshake messages as input to generate (Server) VerifyData.

5.2 Encrypt (Server) Finished.

5.2-a When AES CBC mode is used as the cipher suite, use APIs of AES CBC encryption and HMAC generation with wrapped AES key and wrapped MAC key for Server -> Client communication generated in 4.6 and (Server) VerifyData as input to generate (Server) Finished.

5.2-b When AES GCM mode is used as the cipher suite, use APIs of AES GCM encryption with wrapped AES key for Server -> Client communication generated in 4.6 and (Server) VerifyData as input to generate (Server) Finished.

5.3 Send (Server) Finished.

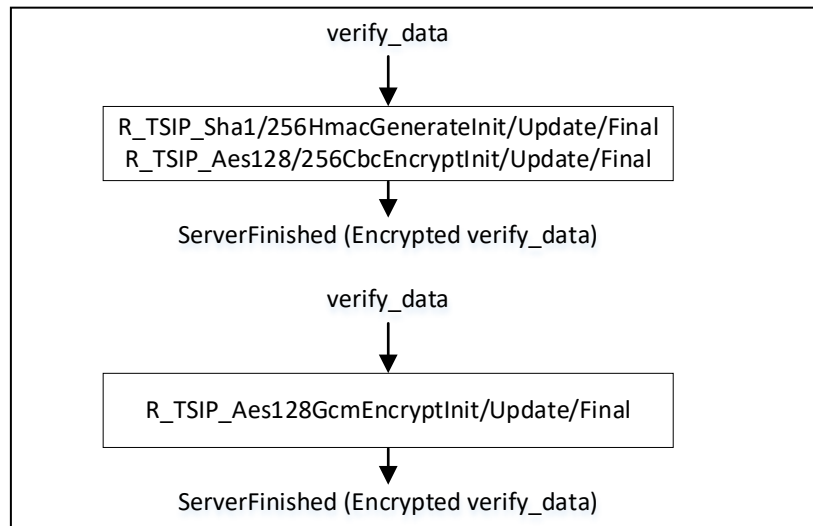


Figure 3.20 Sending Finished

6. Sending/Receiving Application Data

6.1-a When AES CBC mode is used as the cipher suite, use APIs of AES CBC encryption/decryption and HMAC generation/verification with wrapped AES key and wrapped MAC key generated in 4.6 to encrypt/decrypt Application Data.

6.1-b When AES GCM mode is used as the cipher suite, use APIs of AES GCM encryption/decryption with wrapped AES key generated in 4.6 to encrypt/decrypt Application Data.

3.13 TLS Cooperation Function (TLS 1.3)

The TLS cooperation function (TLS 1.3) APIs conform to RFC 8446.

The provided TLS cooperation functionality supports the TLS 1.3 cooperation function in the form of a TLS 1.3 client function and a TLS 1.3 server function. For details of these functions, refer to the TSIP driver usage instructions in 3.13.1.1, Full Handshake, 3.13.1.2, Resumption, and 3.13.1.3, 0-RTT.

3.13.1 TLS 1.3 Client Function

No.	API	Description
1	R_TSIP_GenerateTlsRsaPublicKeyIndex R_TSIP_UpdateTlsRsaPublicKeyIndex R_TSIP_TlsRootCertificateVerification R_TSIP_TlsCertificateVerification R_TSIP_TlsCertificateVerificationExtension R_TSIP_Tls13EncryptInit R_TSIP_Tls13EncryptUpdate R_TSIP_Tls13EncryptFinal R_TSIP_Tls13DecryptInit R_TSIP_Tls13DecryptUpdate R_TSIP_Tls13DecryptFinal R_TSIP_Tls13CertificateVerifyGenerate R_TSIP_Tls13CertificateVerifyVerification	Used in common by all functions.
2	R_TSIP_GenerateTls13P256EccKeyIndex R_TSIP_Tls13GenerateEcdheSharedSecret R_TSIP_Tls13GenerateHandshakeSecret R_TSIP_Tls13GenerateServerHandshakeTrafficKey R_TSIP_Tls13GenerateClientHandshakeTrafficKey R_TSIP_Tls13ServerHandshakeVerification R_TSIP_Tls13GenerateMasterSecret R_TSIP_Tls13GenerateApplicationTrafficKey R_TSIP_Tls13UpdateApplicationTrafficKey	Mainly used by full handshake.
3	R_TSIP_Tls13GenerateResumptionMasterSecret R_TSIP_Tls13GeneratePreSharedKey R_TSIP_Tls13GeneratePskBinderKey R_TSIP_Tls13GenerateResumptionHandshakeSecret	Mainly used by resumption.
4	R_TSIP_Tls13Generate0RttApplicationWriteKey	Used by 0-RTT.

3.13.1.1 Full Handshake

Figure 3.8 presents an overview of full handshake implementation using the TLS 1.3 client function.

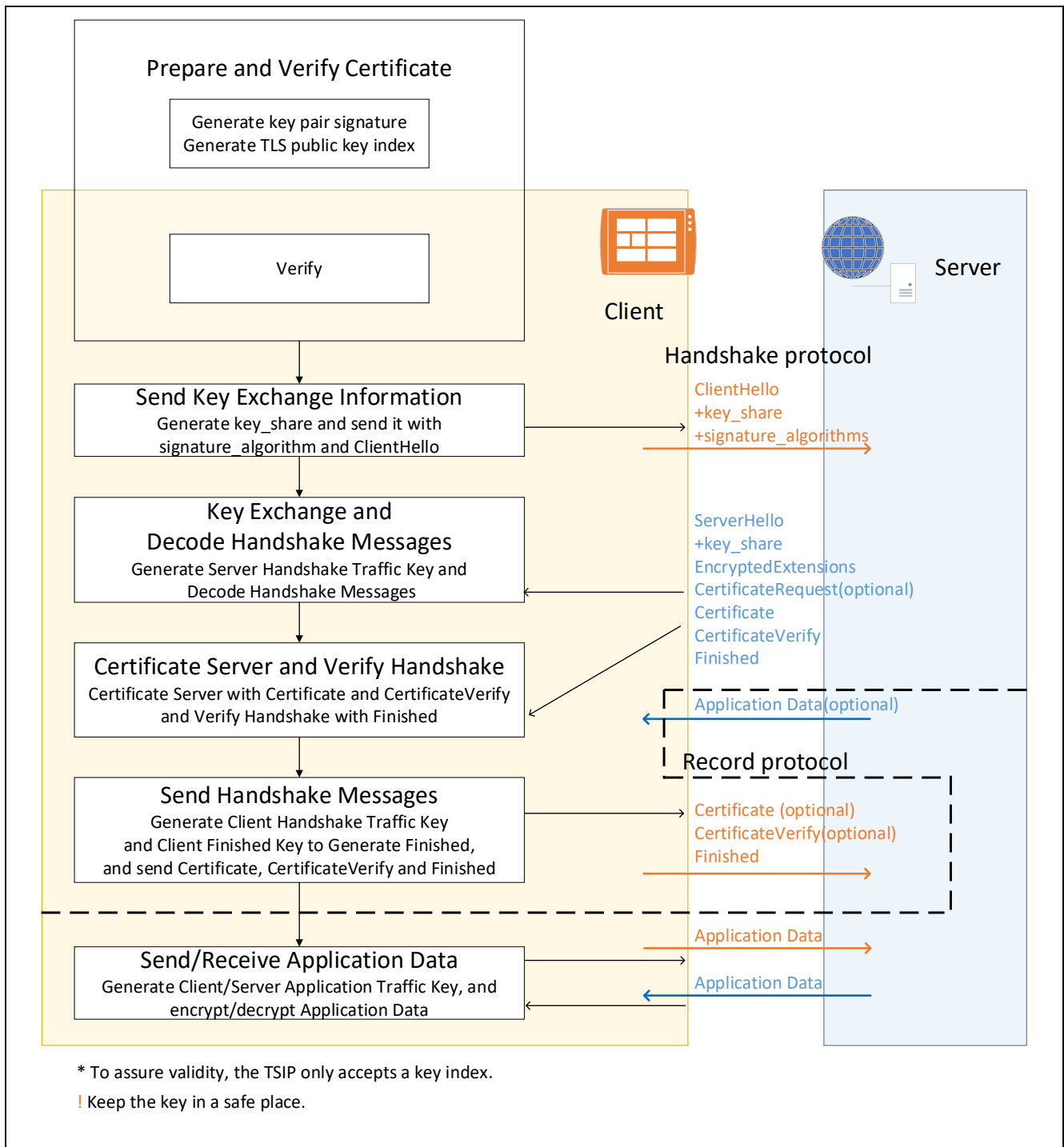


Figure 3.21 Full Handshake Implementation Using TLS 1.3 Client Function

1. Preparing and Verifying Certificates

1.1 Before using TLS cooperation function, prepare the items below.

- root CA certificate which the server connects to
- RSA 2048bit key pair
- client certificate.

1.2 Generate signature value of the prepared root CA certificate with using the private key of the key pair. The signature algorithm is RSA2048 PSS with SHA256. And generate Encrypted Key of the

public key of the key pair with using UFPK. Note that the above procedure must be executed in a safe site.

When there are multiple servers connects to and needed to register multiple root CA certificate, generate signature value of the root CA certificate bundle. It is possible to prevent making connection with an unintentional server with generating signature of the root CA certificate.

- 1.3 Use `R_TSIP_TlsRsaPublicKeyIndex` with the Encrypted Key of the RSA public key as input to generate an RSA public wrapped key. Please refer to 3.7.1, Key Injection and Updating for more detail.
- 1.4 Use `R_TSIP_TlsRegisterCaCertificationPublicKey()` or `R_TSIP_Open()` to register the RSA wrapped key to the TSIP driver. When `R_TSIP_Open()` is used to register the wrapped key, call the API after using `R_TSIP_Close`.
- 1.5 Use `R_TSIP_TlsRootCertificateVerification()` to verify the root CA certificate bundle and generate an encrypted root CA certificate public key.
- 1.6 Use `R_TSIP_TlsCertificateVerification()` or `R_TSIP_TlsCertificateVerificationExtension()` with the encrypted root CA certificate public key and client certificate public key as input to generate an encrypted client certificate public key.

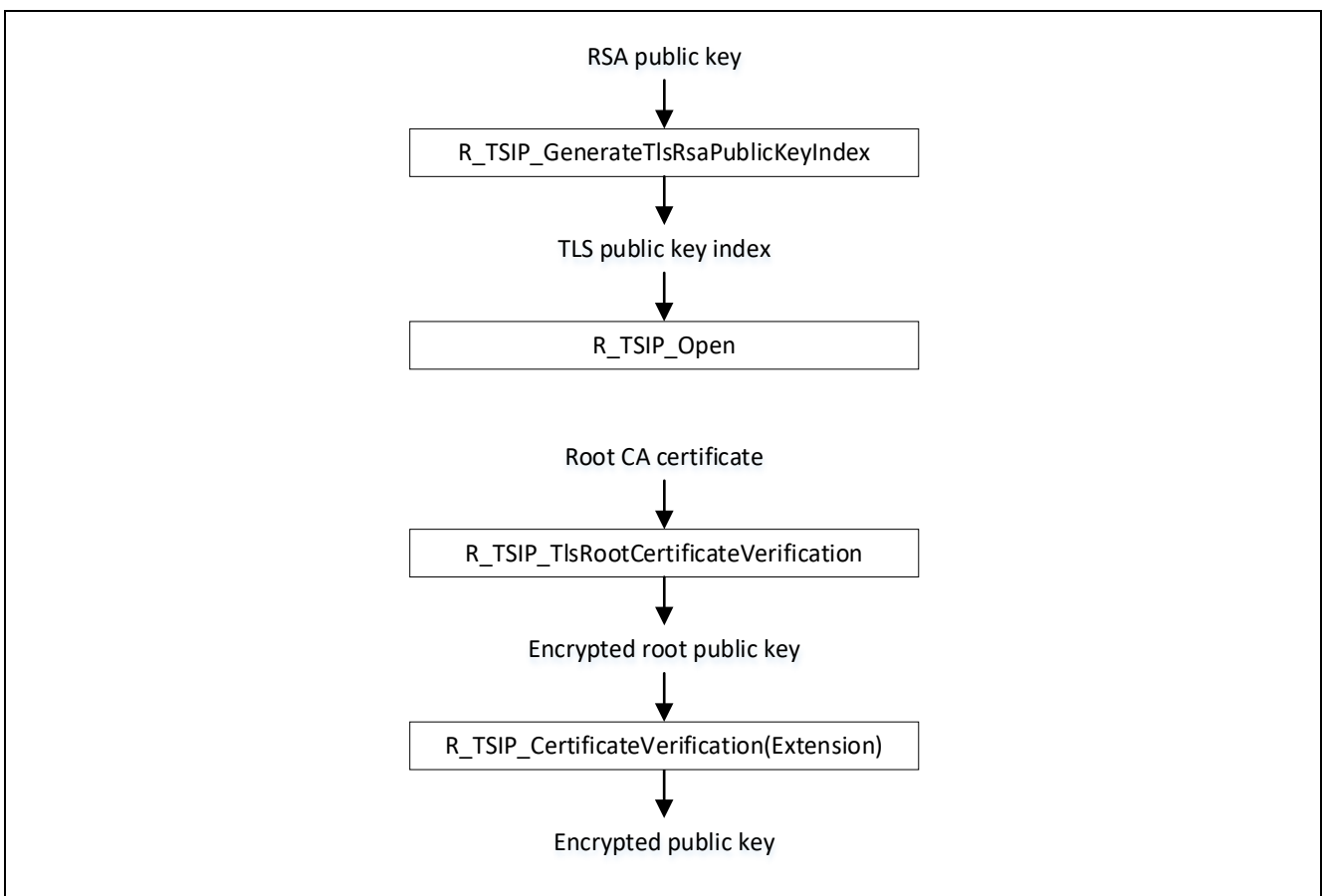


Figure 3.22 Preparing and Verifying Certificates

2. Sending Key Exchange Information

- 2.1 Use `R_TSIP_GenerateTls13P256KeyIndex()` to generate an ephemeral ECDH public key.
- 2.2 When ClientHello is sent, ECDH public key is sent to the server as the `key_share` field, together with the `signature_algorithm` field.

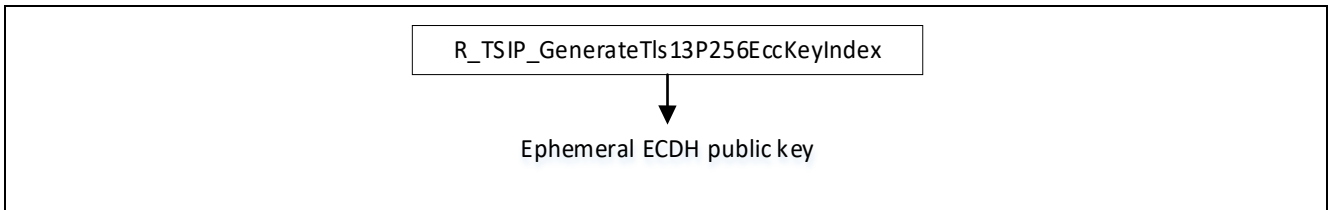


Figure 3.23 Sending Key Exchange Information

3. Exchanging Keys and Decoding Handshake Messages

- 3.1 Use R_TSIP_Tls13GenerateEcdheSharedSecret() with the public key received from the server as input to generate a shared secret wrapped key.
- 3.2 Use R_TSIP_Tls13GenerateHandshakeSecret() with the shared secret wrapped key as input to generate a handshake secret wrapped key.
- 3.3 Use R_TSIP_Tls13GenerateServerHandshakeTrafficKey() with the handshake secret wrapped key as input to generate a server write key index and server finished wrapped key for use by the handshake protocol.
- 3.4 Use R_TSIP_Tls13DecryptInit/Update/Final() with the server write wrapped key as input to decrypt encrypted handshake messages received from the server.

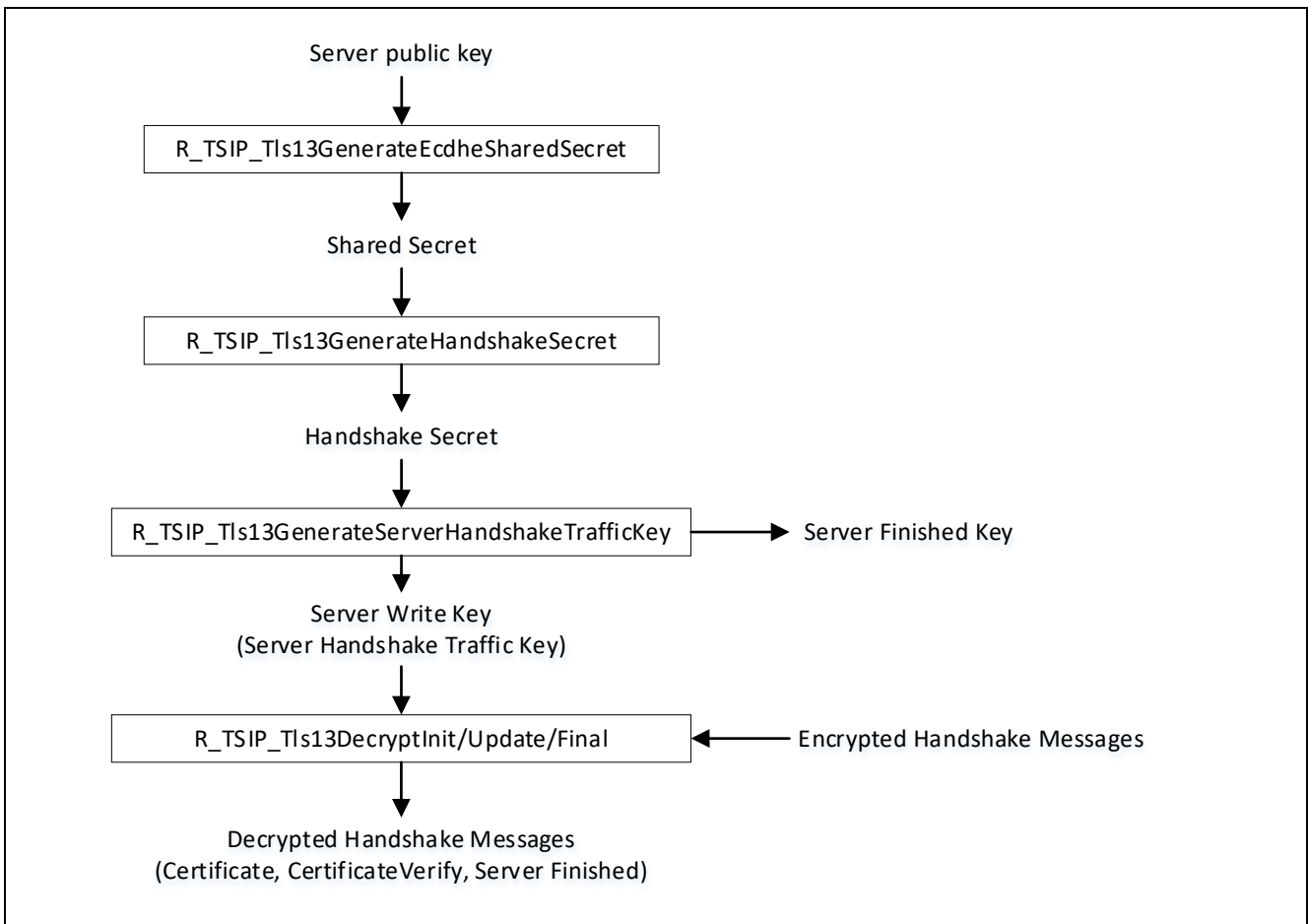
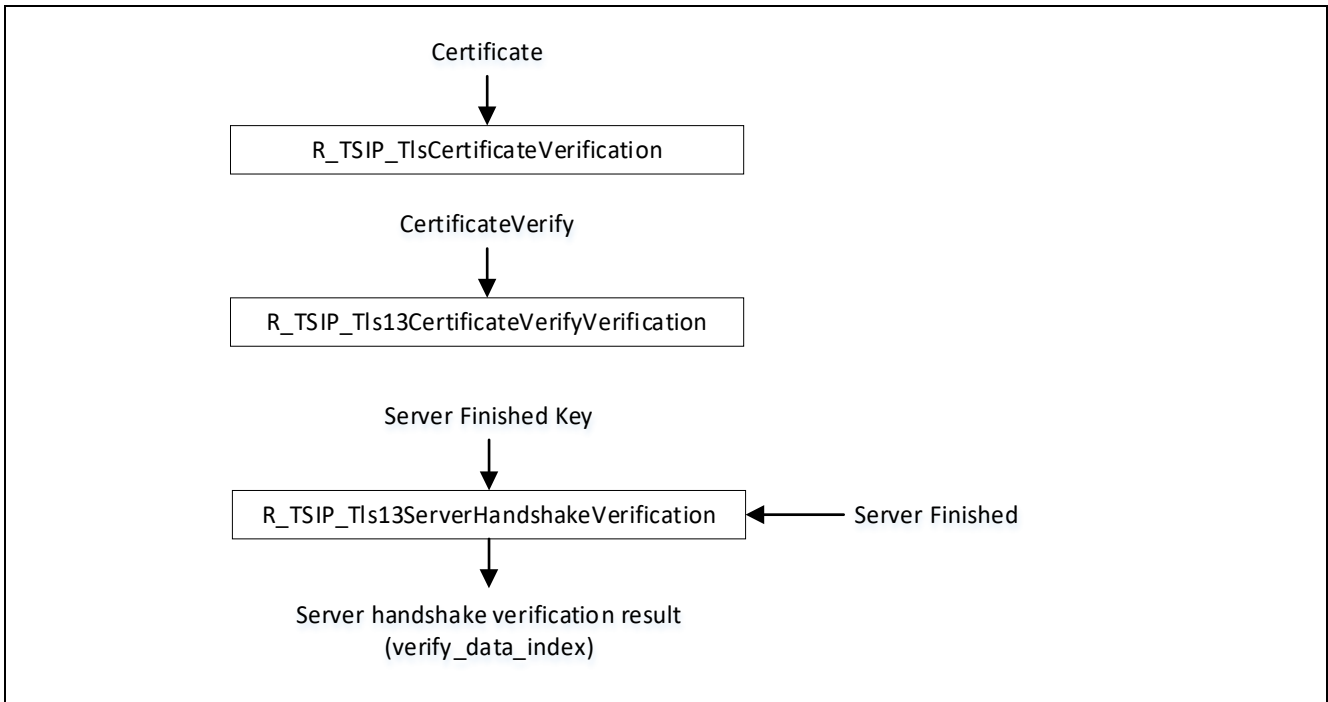


Figure 3.24 Exchanging Keys and Decoding Handshake Messages

4. Verifying Server and Handshake

- 4.1 Use R_TSIP_TlsCertificateVerification() with the (Server) Certificate field from the handshake message as input to verify the signature of the signature.
- 4.2 Use R_TSIP_Tls13CertificateVerifyVerification() with the (Server) CertificateVerify field from the handshake message as input to verify the (Server) CertificateVerify field.
- 4.3 Use R_TSIP_Tls13ServerHandshakeVerification() with the (Server) Finished field from the handshake message and the server finished wrapped key as input to preform handshake verification. On the TSIP, the handshake verification result is output as verify_data_index.

**Figure 3.25 Verifying Server and Handshake**

5. Sending Handshake Messages

- 5.1 The (Client) Certificate field and (Client) CertificateVerify field are generated when CertificateRequest is received from the server. To generate a signature for the (Client) CertificateVerify field, use R_TSIP_Tls13CertificateVerifyGenerate() with the secret wrapped key of the certificate as input.
- 5.2 Use R_TSIP_Tls13GenerateClientHandshakeTrafficKey() with the wrapped key of the handshake secret as input to generate the client write wrapped key and client finished key index used in the handshake phase.
- 5.3 Use R_TSIP_Sha256HmacGenerateInit/Update/Final() with the client finished wrapped key as input to create the (Client) Finished field.
- 5.4 Use R_TSIP_Tls13EncryptInit/Update/Final() with the client write wrapped key as input to encrypt the handshake messages sent to the server.
- 5.5 Send the encrypted handshake messages.

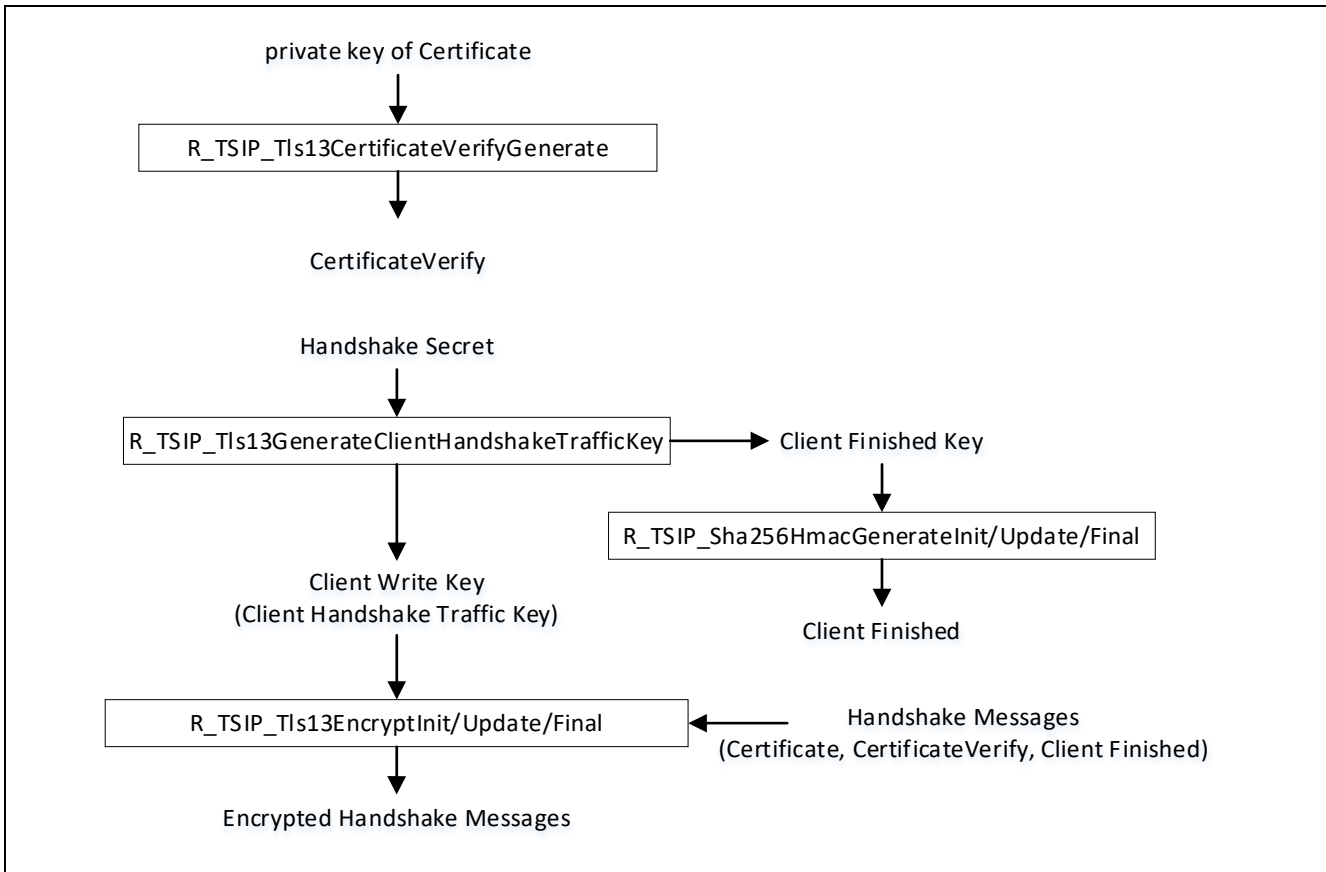


Figure 3.26 Sending Handshake Messages

6. Sending/Receiving Application Data

- 6.1 Use R_TSIP_Tls13GenerateMasterSecret() with the handshake secret wrapped key and verify_data_index as input to generate the master secret wrapped key.
- 6.2 Use R_TSIP_Tls13GenerateApplicationTrafficKey() with the master secret wrapped key as input to generate the server write wrapped key, client write wrapped key, and application secret wrapped key used by the record protocol.
- 6.3 To update the server write key or client write key, use R_TSIP_Tls13UpdateApplicationTrafficKey() with the application secret wrapped key as input.
- 6.4 To encrypt data to be sent to the server, use R_TSIP_Tls13EncryptInit/Update/Final() with the client write wrapped key as input.
- 6.5 To decrypt data received from the server, use R_TSIP_Tls13DecryptInit/Update/Final() with the server write wrapped key as input.

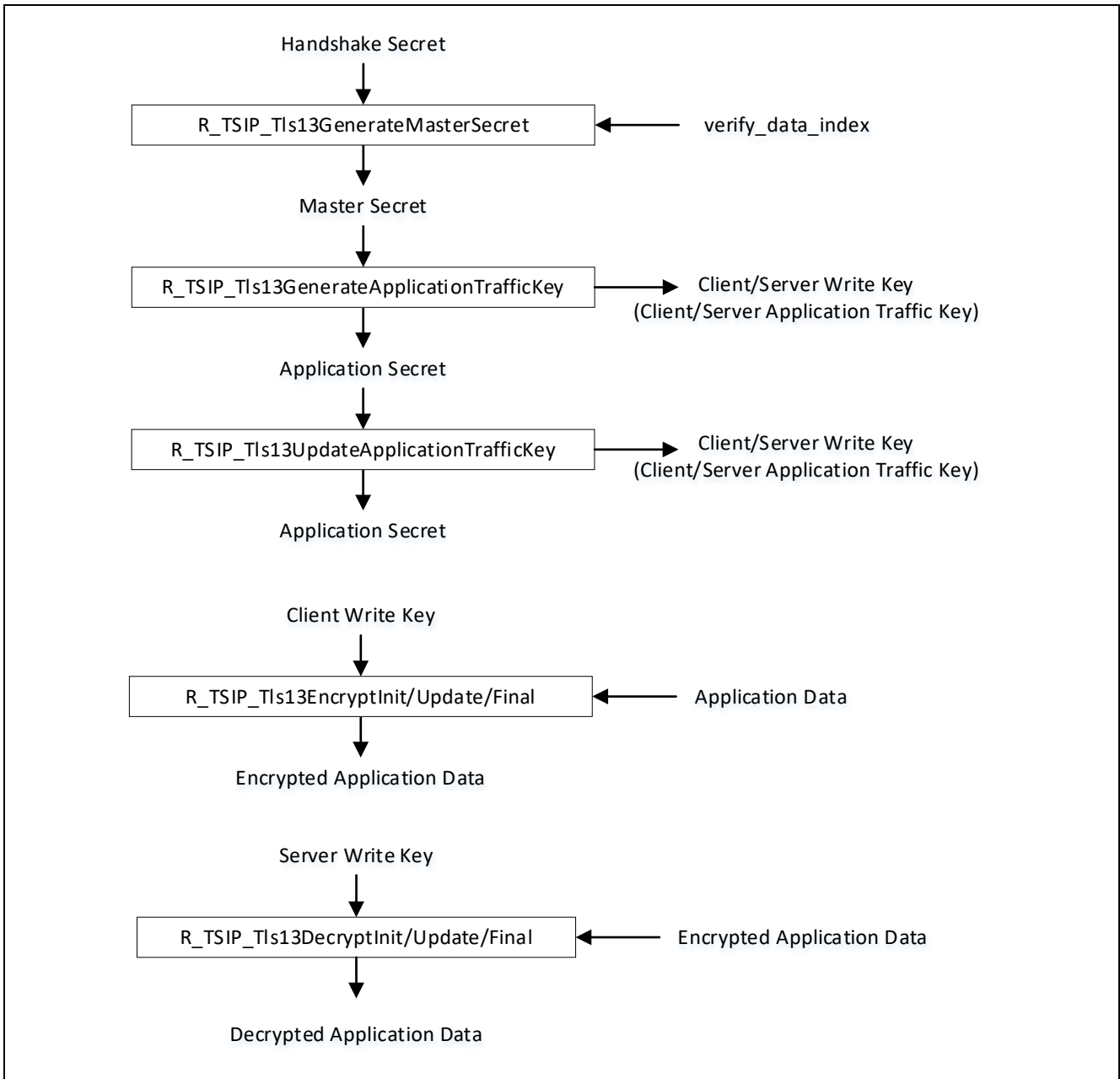


Figure 3.27 Sending/Receiving Application Data

3.13.1.2 Resumption

Figure 3.15 presents an overview of resumption implementation using the TLS 1.3 client function.

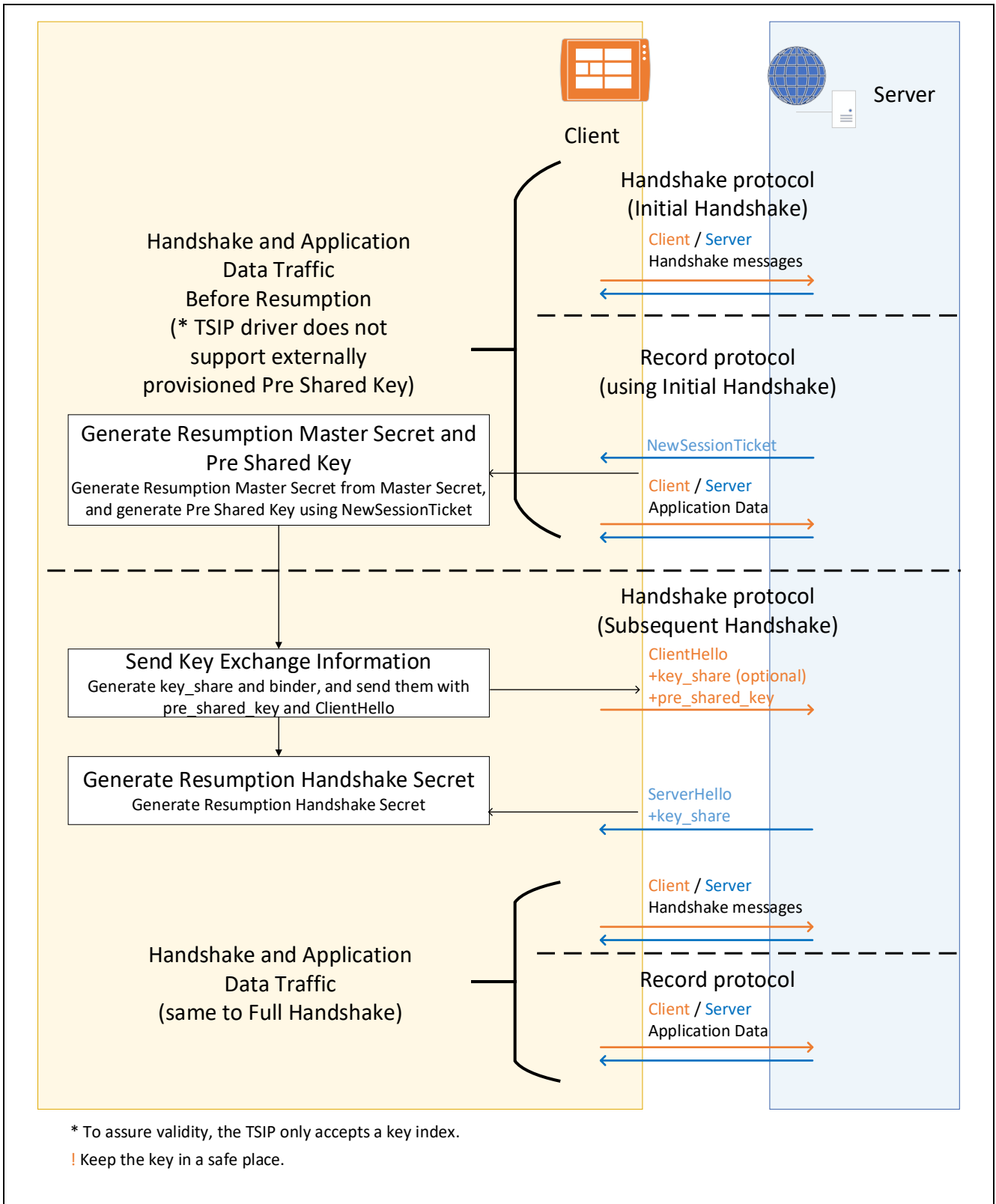


Figure 3.28 Resumption Implementation Using TLS 1.3 Client Function

1. Handshake and Application Data Communication before Resumption
 - 1.1 TLS 1.3 communication is established by performing a full handshake.
 - 1.2 A new session ticket is received from the server as application data.

Note: The TSIP driver does not allow use of other than the pre shared key generated after handshaking completes.

2. Generating Resumption Master Secret and Pre Shared Key
 - 2.1 Use `R_TSIP_Tls13GenerateResumptionMasterSecret()` with the master secret wrapped key used for the full handshake as input to generate the resumption master secret wrapped key.
 - 2.2 Use `R_TSIP_Tls13GeneratePreSharedKey()` with the resumption master secret wrapped key and the ticket nonce within the new session ticket received from the server as input to generate the pre shared wrapped key.

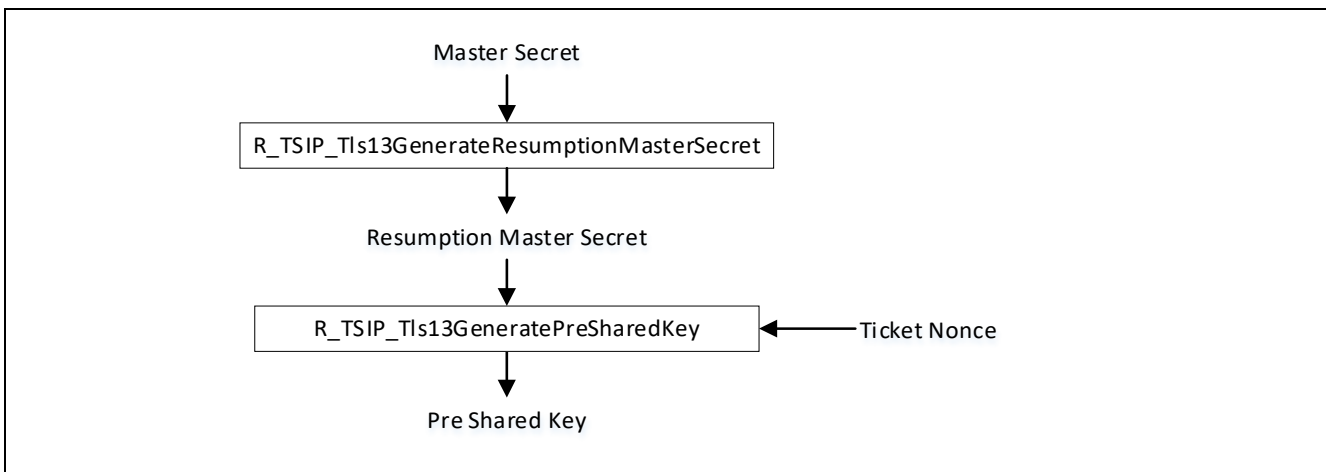


Figure 3.29 Generating Resumption Master Secret and Pre Shared Key

3. Sending Key Exchange Data
 - 3.1 Use `R_TSIP_Tls13GeneratePskBinderKey()` with the pre shared wrapped key as input to generate the binder wrapped key.
 - 3.2 Use `R_TSIP_Sha256HmacGenerateInit/Update/Finish()` with the binder wrapped key as input to generate the binder.
 - 3.3 As in item 2.1 of 3.13.1.1, use `R_TSIP_GenerateTls13P256KeyIndex()` to generate an ephemeral ECDH public key.
 - 3.4 When sending ClientHello to the server, also attach the pre shared key information including the binder as the `pre_shared_key` field and the ECDH public key as the `key_share` field.

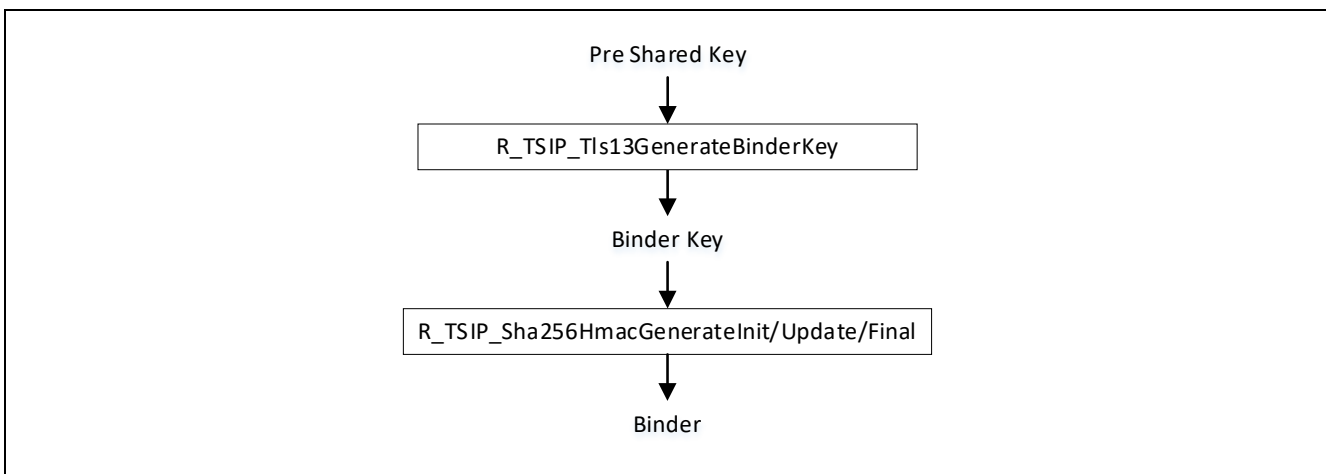


Figure 3.30 Sending Key Exchange Data

4. Generating Resumption Handshake Secret

- 4.1 As in item 3.1 of 3.13.1.1, use `R_TSIP_Tls13GenerateEcdheSharedSecret()` with the public key received from the server as input to generate the shared secret wrapped key.
- 4.2 Use `R_TSIP_Tls13GenerateResumptionHandshakeSecret()` with the pre shared wrapped key and shared secret wrapped key as input to generate the handshake secret wrapped key to be used for resumption.

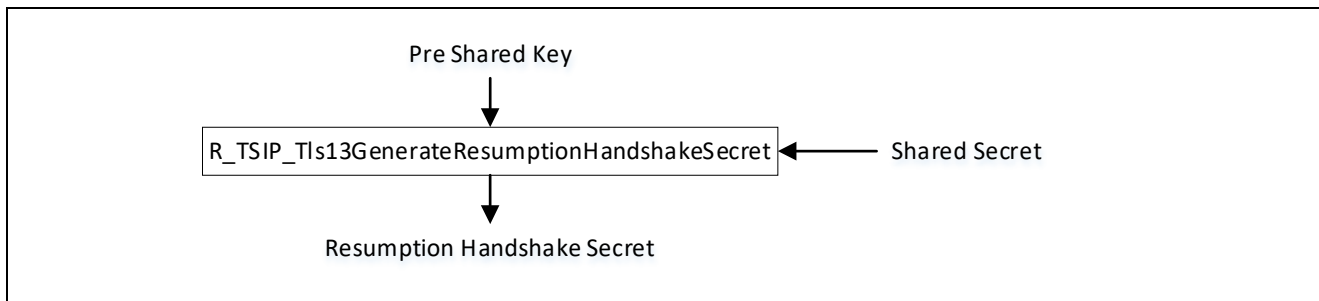


Figure 3.31 Generating Resumption Handshake Secret

5. Handshake and Application Data Communication

- 5.1 After generating the handshake secret to be used for resumption, perform the same communication sequence as that for a full handshake to establish TLS 1.3 communication.
- 5.2 After the handshake phase completes, application data communication takes place.

3.13.1.3 0-RTT

Figure 3.19 presents an overview of 0-RTT implementation using the TLS 1.3 client function.

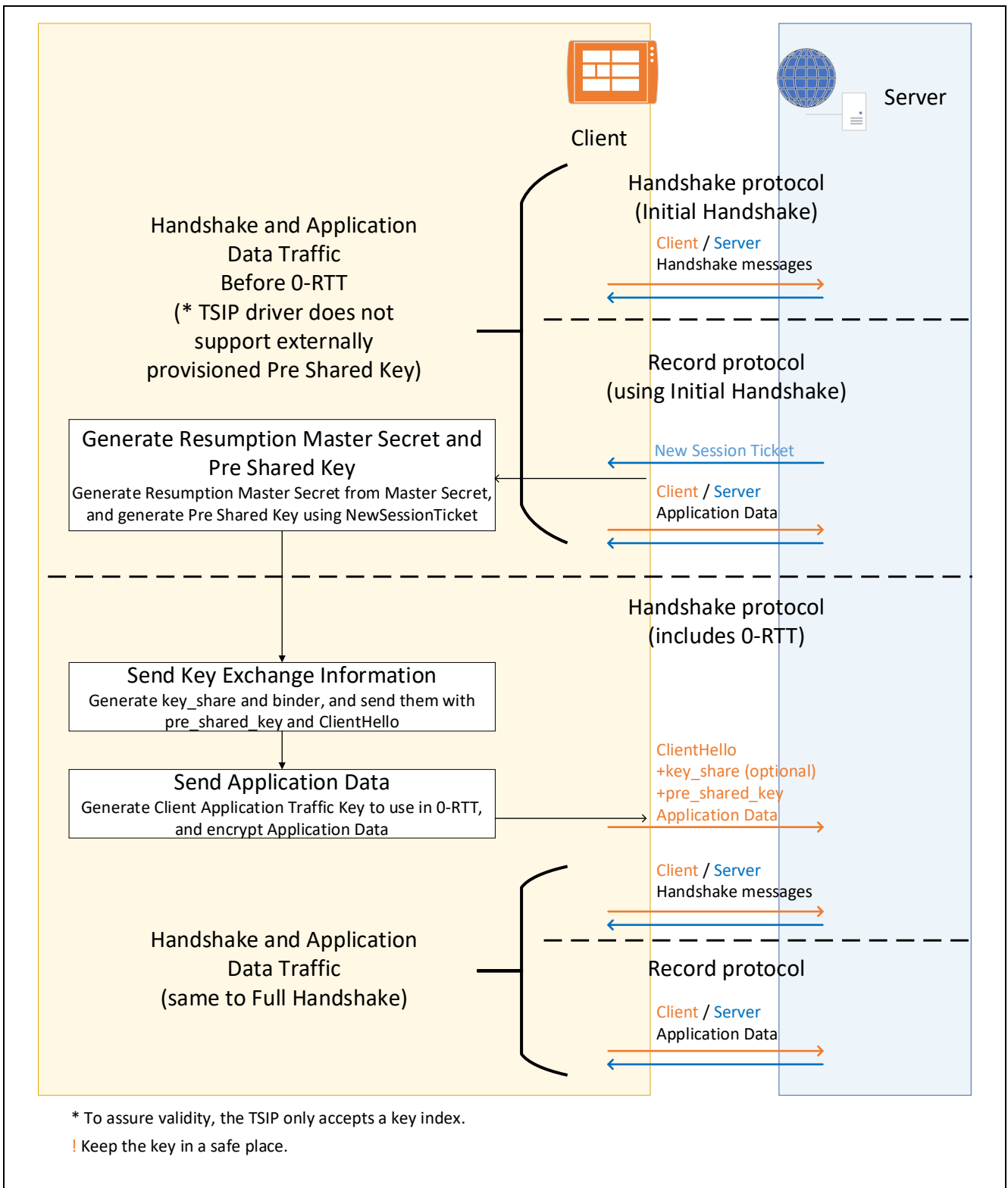


Figure 3.32 0-RTT Implementation Using TLS 1.3 Client Function

1. Handshake and Application Data Communication before Resumption
 - 1.1 TLS 1.3 communication is established by performing a full handshake.
 - 1.2 A new session ticket is received from the server as application data.

Note: The TSIP driver does not allow use of other than the pre shared key generated after handshaking completes.

2. Generating Resumption Master Secret and Pre Shared Key
 - 2.1 The subsequent processing is the same as item 2. of 3.13.1.2: Use `R_TSIP_Tls13GenerateResumptionMasterSecret()` with the master secret wrapped key used for the full handshake as input to generate the resumption master secret wrapped key.
 - 2.2 As in item 2.2 of 3.13.1.2, use `R_TSIP_Tls13GeneratePreSharedKey()` with the resumption master secret wrapped key and the ticket nonce within the new session ticket received from the server as input to generate the pre shared wrapped key.
3. Sending Key Exchange Data
 - 3.1 The subsequent processing is the same as item 3. of 3.13.1.2: Use `R_TSIP_Tls13GeneratePskBinderKey()` with the pre shared wrapped key as input to generate the binder wrapped key.
 - 3.2 Use `R_TSIP_Sha256HmacGenerateInit/Update/Finish()` with the binder wrapped key as input to generate the binder.
 - 3.3 As in item 2.1 of 3.13.1.1, use `R_TSIP_GenerateTls13P256KeyIndex()` to generate an ephemeral ECDH public key.
 - 3.4 When sending `ClientHello` to the server, also attach the pre shared key information including the binder as the `pre_shared_key` field and the ECDH public key as the `key_share` field.
4. Sending Application Data
 - 4.1 Use `R_TSIP_Tls13Generate0RttApplicationWriteKey()` with the pre shared wrapped key as input to generate the client write wrapped key to be used for 0-RTT.
 - 4.2 Use `R_TSIP_Tls13EncryptInit/Update/Final()` with the client write wrapped key as input to encrypt the application data.
 - 4.3 After sending `ClientHello`, send the encrypted application data to the server.

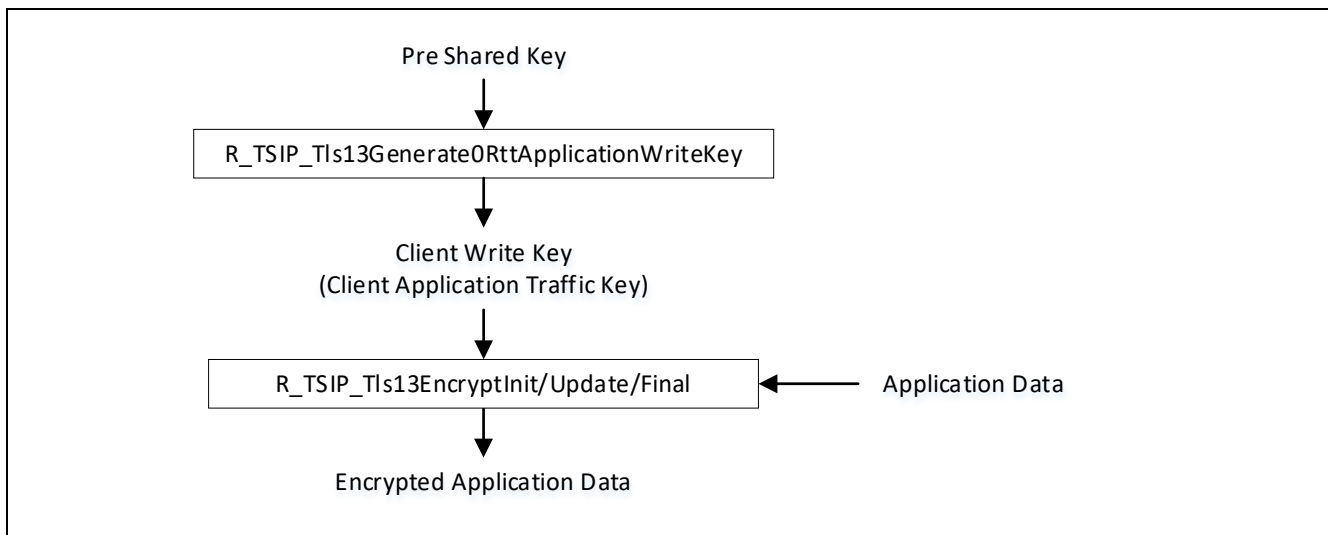


Figure 3.33 Sending Application Data

5. Handshake and Application Data Communication
 - 5.1 After sending the application data as 0-RTT, perform the same communication sequence as that for a full handshake to establish TLS 1.3 communication.
 - 5.2 After the handshake phase completes, application data communication takes place.

Note: As stated in section 2.3 of RFC 8446, when using 0-RTT the data is not forward secret and there are no guarantees of non-replay between connections. A judgment must be made with these risks in mind as to the use of this functionality.

3.13.2 TLS 1.3 Server Function

No.	API	Description
1	R_TSIP_GenerateTlsRsaPublicKeyIndex R_TSIP_UpdateTlsRsaPublicKeyIndex R_TSIP_TlsRootCertificateVerification R_TSIP_TlsCertificateVerification R_TSIP_TlsCertificateVerificationExtension R_TSIP_Tls13EncryptInit R_TSIP_Tls13EncryptUpdate R_TSIP_Tls13EncryptFinal R_TSIP_Tls13DecryptInit R_TSIP_Tls13DecryptUpdate R_TSIP_Tls13DecryptFinal R_TSIP_Tls13SVCertificateVerifyGenerate R_TSIP_Tls13SVCertificateVerifyVerification	Used in common by all functions.
2	R_TSIP_GenerateTls13SVP256EccKeyIndex R_TSIP_Tls13SVGenerateEcdheSharedSecret R_TSIP_Tls13SVGenerateHandshakeSecret R_TSIP_Tls13SVGenerateServerHandshakeTrafficKey R_TSIP_Tls13SVGenerateClientHandshakeTrafficKey R_TSIP_Tls13SVServerHandshakeVerification R_TSIP_Tls13SVGenerateMasterSecret R_TSIP_Tls13SVGenerateApplicationTrafficKey R_TSIP_Tls13SVUpdateApplicationTrafficKey	Mainly used by full handshake.
3	R_TSIP_Tls13SVGenerateResumptionMasterSecret R_TSIP_Tls13SVGeneratePreSharedKey R_TSIP_Tls13SVGeneratePskBinderKey R_TSIP_Tls13SVGenerateResumptionHandshakeSecret	Mainly used by resumption.
4	R_TSIP_Tls13SVGenerate0RttApplicationWriteKey	Used by 0-RTT.

3.13.2.1 Full Handshake

Figure 3.21 presents an overview of full handshake implementation using the TLS 1.3 server function.

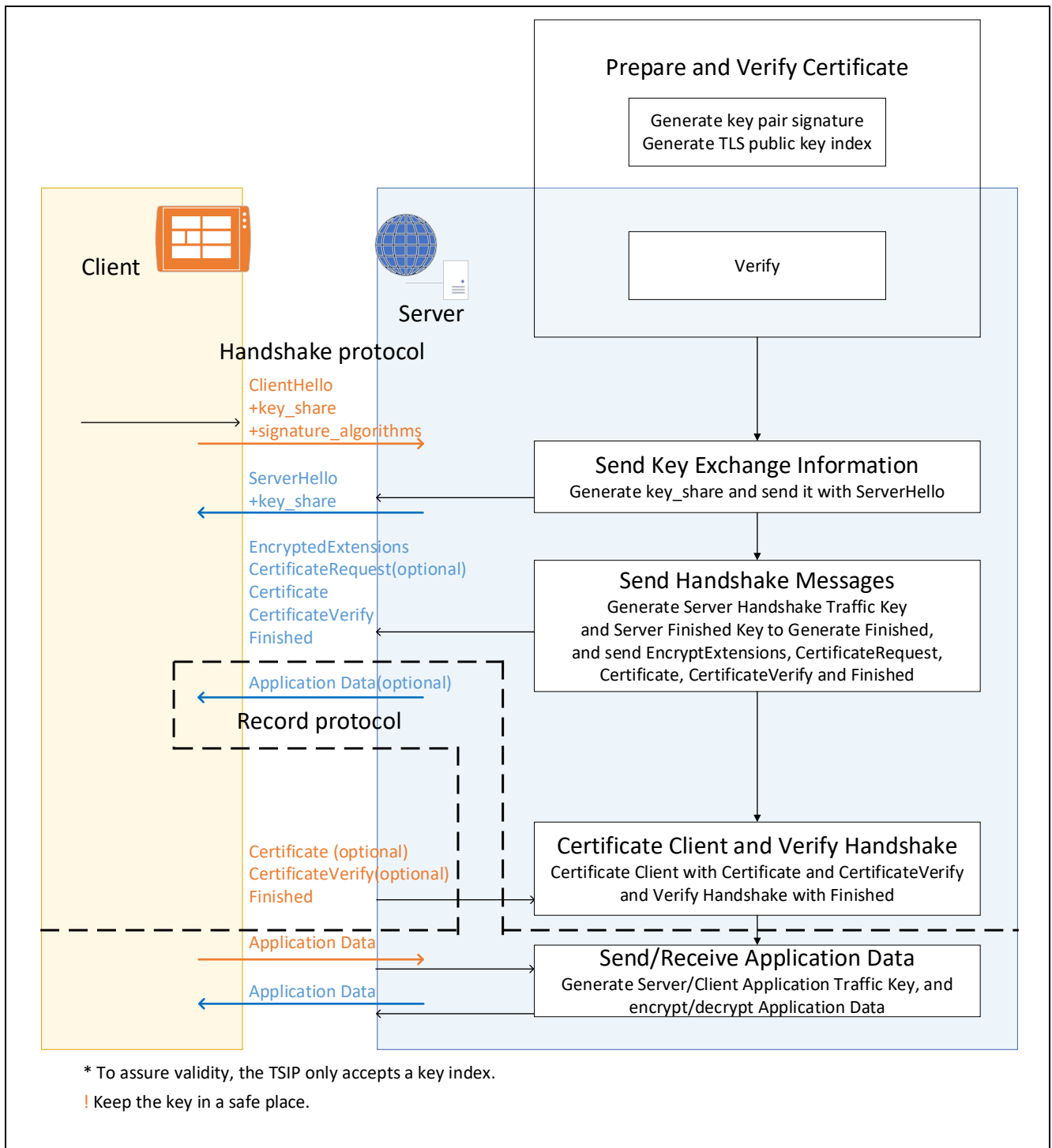


Figure 3.34 Full Handshake Implementation Using TLS 1.3 Server Function

1. Preparing and Verifying Certificates

1.1 Before using TLS cooperation function, prepare the items below.

- root CA certificate which the server connects to
- RSA 2048bit key pair
- server certificate.

1.2 Generate signature value of the prepared root CA certificate with using the private key of the key pair. The signature algorithm is RSA2048 PSS with SHA256. And generate Encrypted Key of the public key of the key pair with using UFPK. Note that the above procedure must be executed in a safe site.

When multiple root CA certificate are needed to register, generate signature value of the root CA certificate bundle. It is possible to prevent making connection with using an unauthorized root CA certificate.

1.3 Use `R_TSIP_TlsSVRsaPublicKeyIndex` with the Encrypted Key of the RSA public key as input to generate an RSA public wrapped key. Please refer to 3.7.1, Key Injection and Updating for more detail.

1.4 Use `R_TSIP_TlsRegisterCaCertificationPublicKey()` to register the RSA wrapped key to the TSIP driver.

1.5 Use `R_TSIP_TlsSVRootCertificateVerification()` to verify the root CA certificate bundle and generate an encrypted root CA certificate public key.

1.6 Use `R_TSIP_TlsSVCertificateVerification()` or `R_TSIP_TlsSVCertificateVerificationExtension()` with the encrypted root CA certificate public key and server certificate public key as input to generate an encrypted server certificate public key.

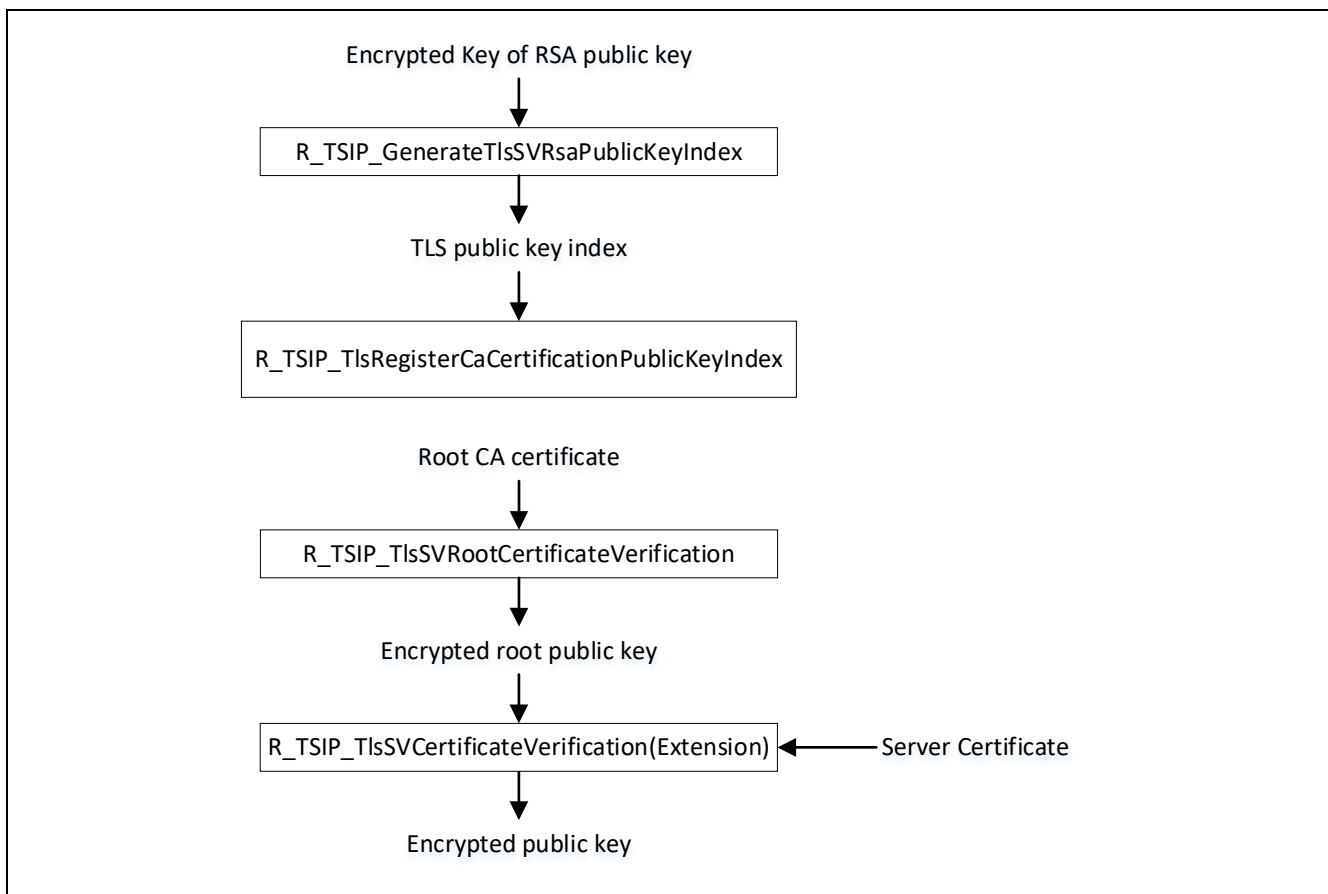


Figure 3.35 Preparing and Verifying Certificates

2. Sending Key Exchange Information

- 2.1 Use `R_TSIP_GenerateTls13P256KeyIndex()` to generate an ephemeral ECDH public key.
- 2.2 When `ServerHello` is sent, send the ECDH public key to the server as the `key_share` field.

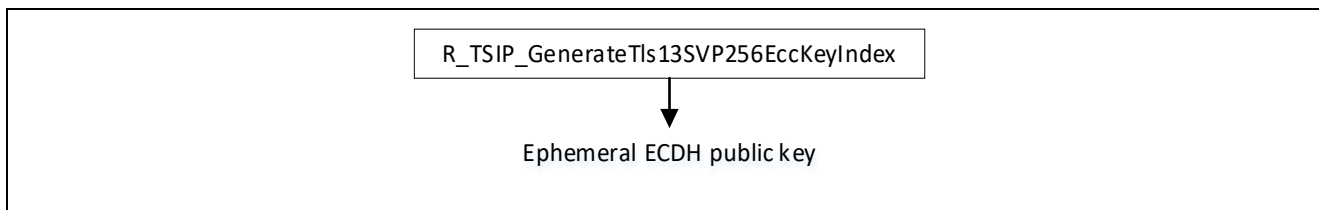


Figure 3.36 Sending Key Exchange Information

3. Sending Handshake Messages

- 3.1 Use `R_TSIP_Tls13SVCertificateVerifyGenerate()` with the certificate's secret wrapped key as input to generate the `CertificateVerify` field.
- 3.2 Use `R_TSIP_Tls13SVGenerateEcdheSharedSecret()` with the public key received from the client as input to generate the shared secret wrapped key.
- 3.3 Use `R_TSIP_Tls13SVGenerateHandshakeSecret()` with the shared secret wrapped key as input to generate the handshake secret wrapped key.
- 3.4 Use `R_TSIP_Tls13SVGenerateServerHandshakeTrafficKey()` with the handshake secret wrapped key as input to generate the server write wrapped key and server finished wrapped key to be used by the handshake protocol.
- 3.5 Use `R_TSIP_Tls13EncryptInit/Update/Final()` with the server write wrapped key as input to encrypt the handshake messages to be sent to the client.
- 3.6 Send the encrypted handshake messages.

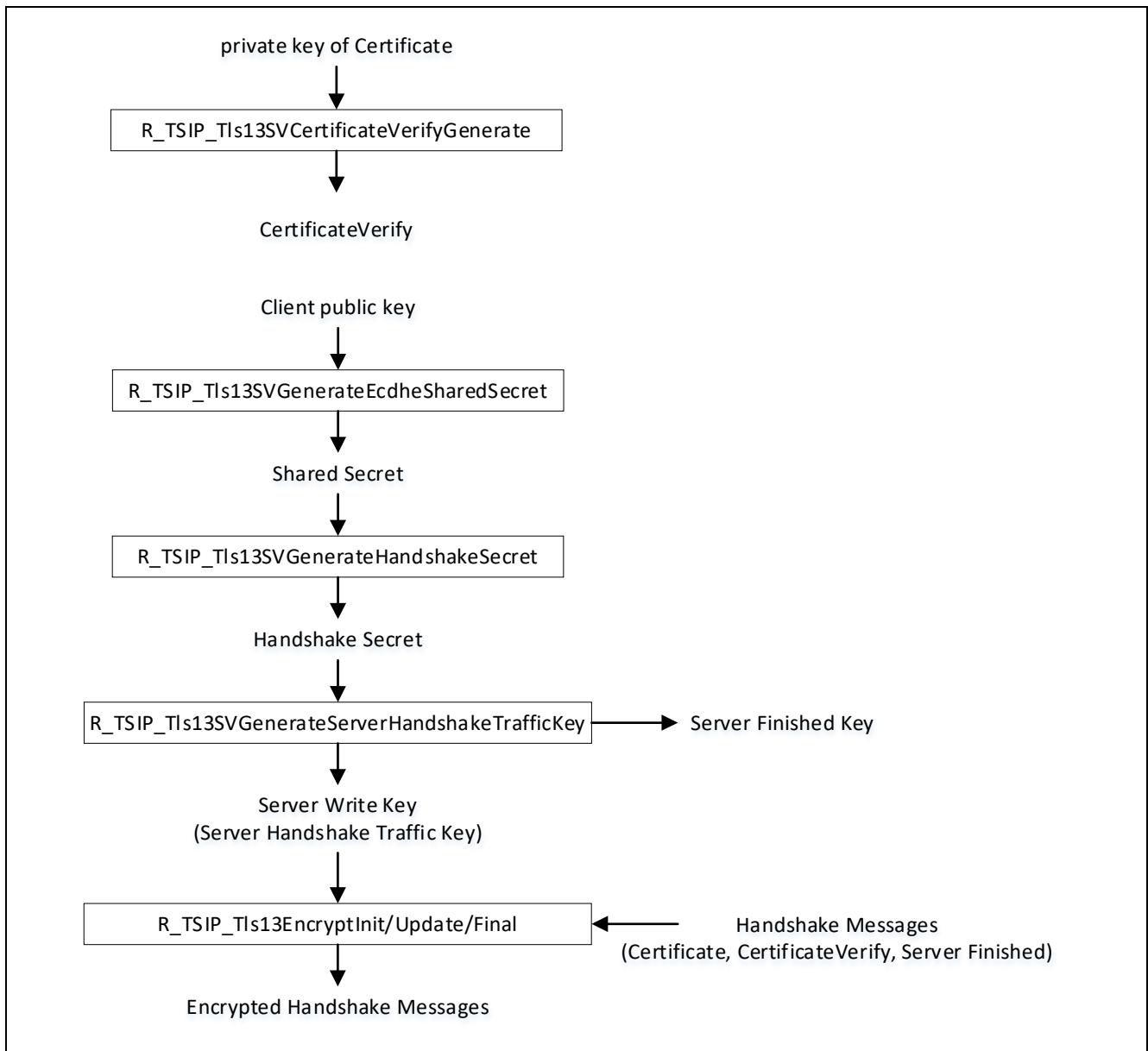


Figure 3.37 Sending Handshake Messages

4. Verifying Client and Handshake

- 4.1 Use `R_TSIP_Tls13SVGenerateClientHandshakeTrafficKey()` with the handshake secret wrapped key as input to generate the client write wrapped key and client finished wrapped key to be used in the handshake phase.
- 4.2 Use `R_TSIP_Tls13DecryptInit/Update/Final()` with the client write wrapped key as input to decrypt the encrypted handshake messages received from the client.
- 4.3 Use `R_TSIP_TlsCertificateVerification()` with the (Client) Certificate field in the handshake message as input to verify the signature of the certificate.
- 4.4 Use `R_TSIP_Tls13SVCertificateVerifyVerification()` with the (Client) CertificateVerify field in the handshake message as input to verify the (Client) CertificateVerify field.
- 4.5 Use `R_TSIP_Tls13SVClientHandshakeVerification()` with the (Client) Finished field in the handshake message and the client finished wrapped key as input to perform handshake verification.

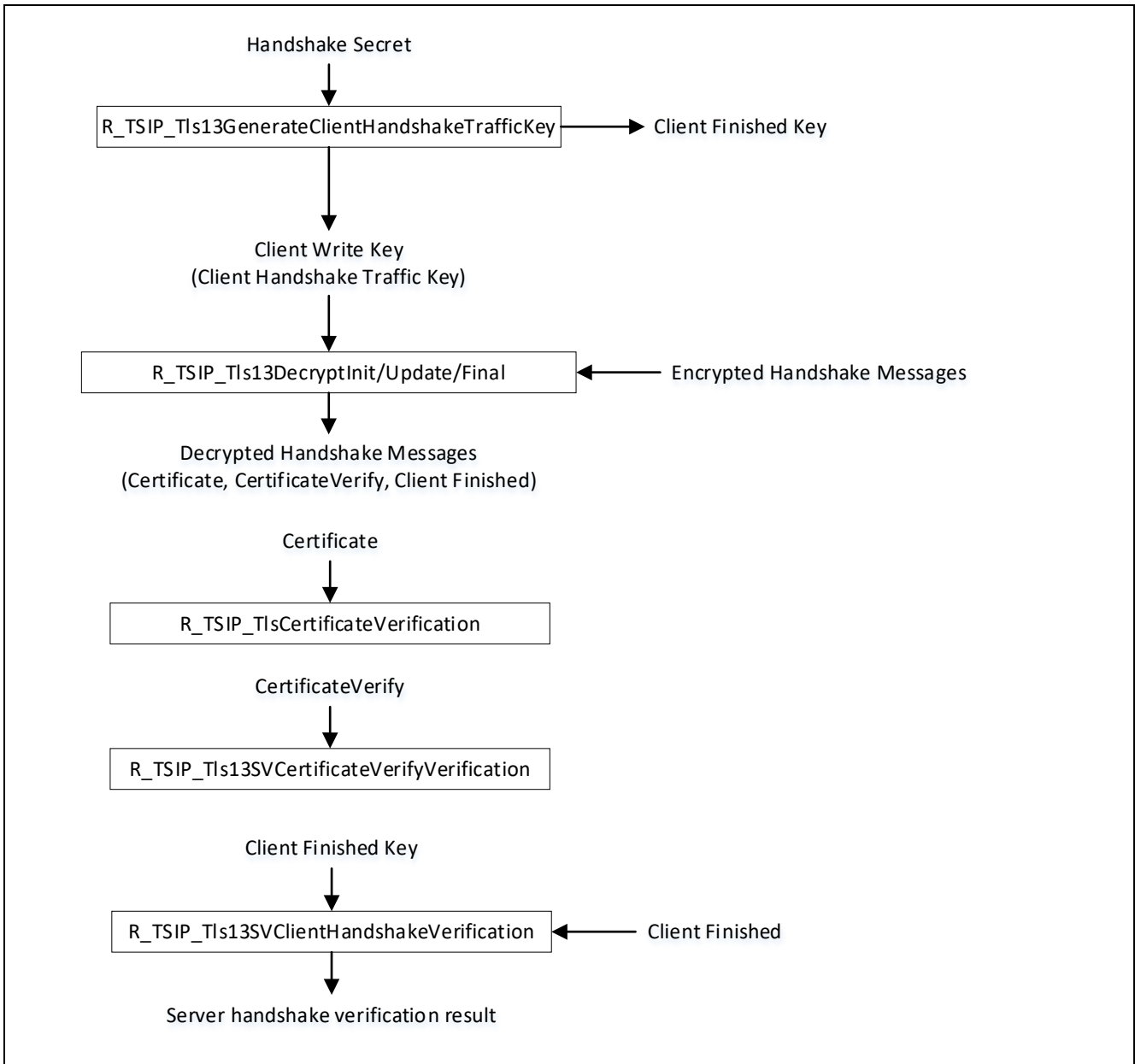


Figure 3.38 Verifying Client and Handshake

5. Sending/Receiving Application Data

- 5.1 Use `R_TSIP_TIs13SVGenerateMasterSecret()` with the handshake secret wrapped key as input to generate the master secret wrapped key.
- 5.2 Use `R_TSIP_TIs13SVGenerateApplicationTrafficKey()` with the master secret wrapped key as input to generate the server write wrapped key, client write wrapped key, and application secret wrapped key used by the record protocol.
- 5.3 To update the server write key or client write key, use `R_TSIP_TIs13SVUpdateApplicationTrafficKey()` with the application secret wrapped key as input.
- 5.4 To encrypt data to be sent to the server, use `R_TSIP_TIs13EncryptInit/Update/Final()` with the server write wrapped key as input.
- 5.5 To decrypt data received from the server, use `R_TSIP_TIs13DecryptInit/Update/Final()` with the client write wrapped key as input.

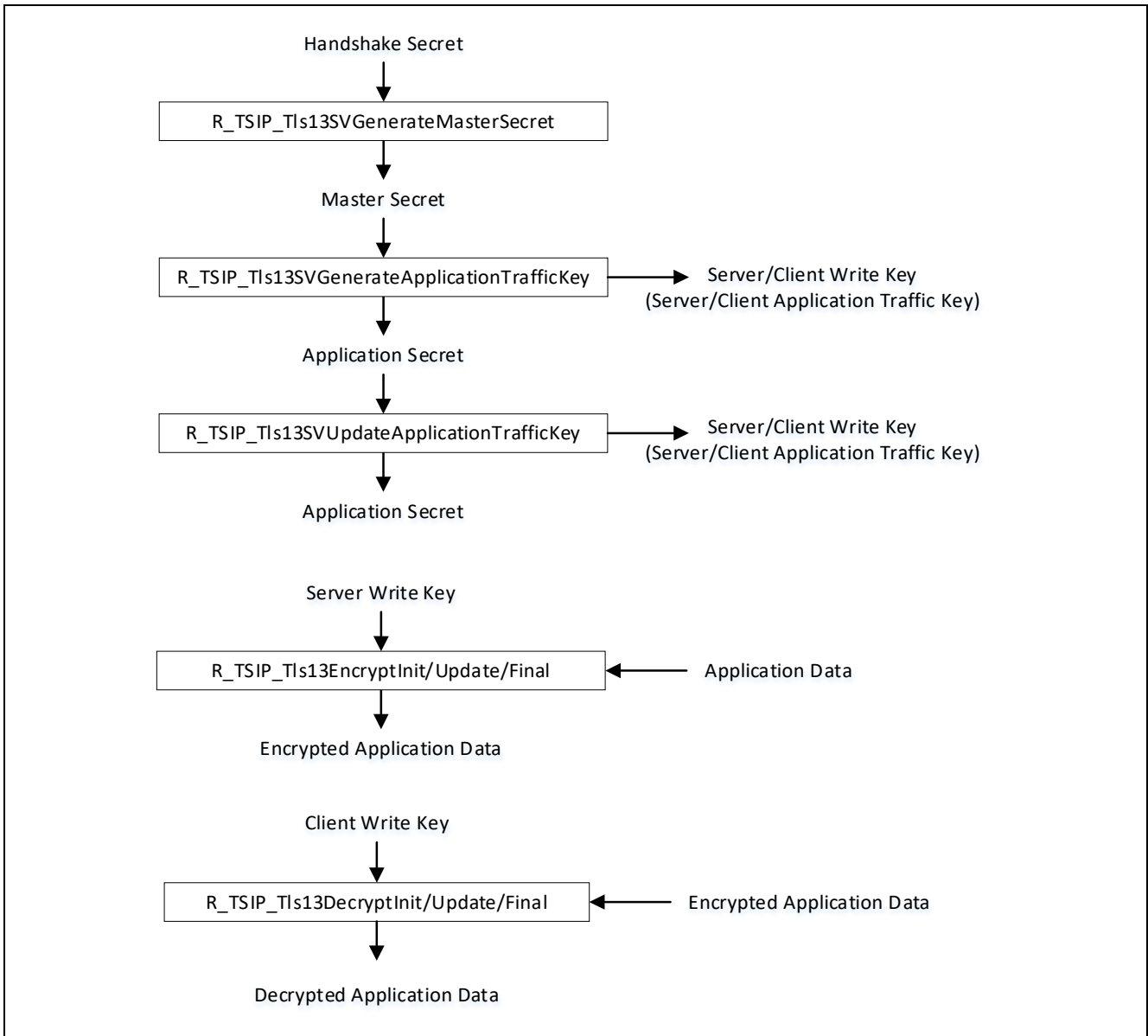


Figure 3.39 Sending/Receiving Application Data

Note: When application data is sent from the server without waiting to receive ClientFinished messages and a ClientFinished verification error occurs, the error can only be detected under conditions in which the server program has not been tampered with. A judgment must be made with these risks in mind as to the use of this functionality.

3.13.2.2 Resumption

Figure 3.27 presents an overview of resumption implementation using the TLS 1.3 server function.

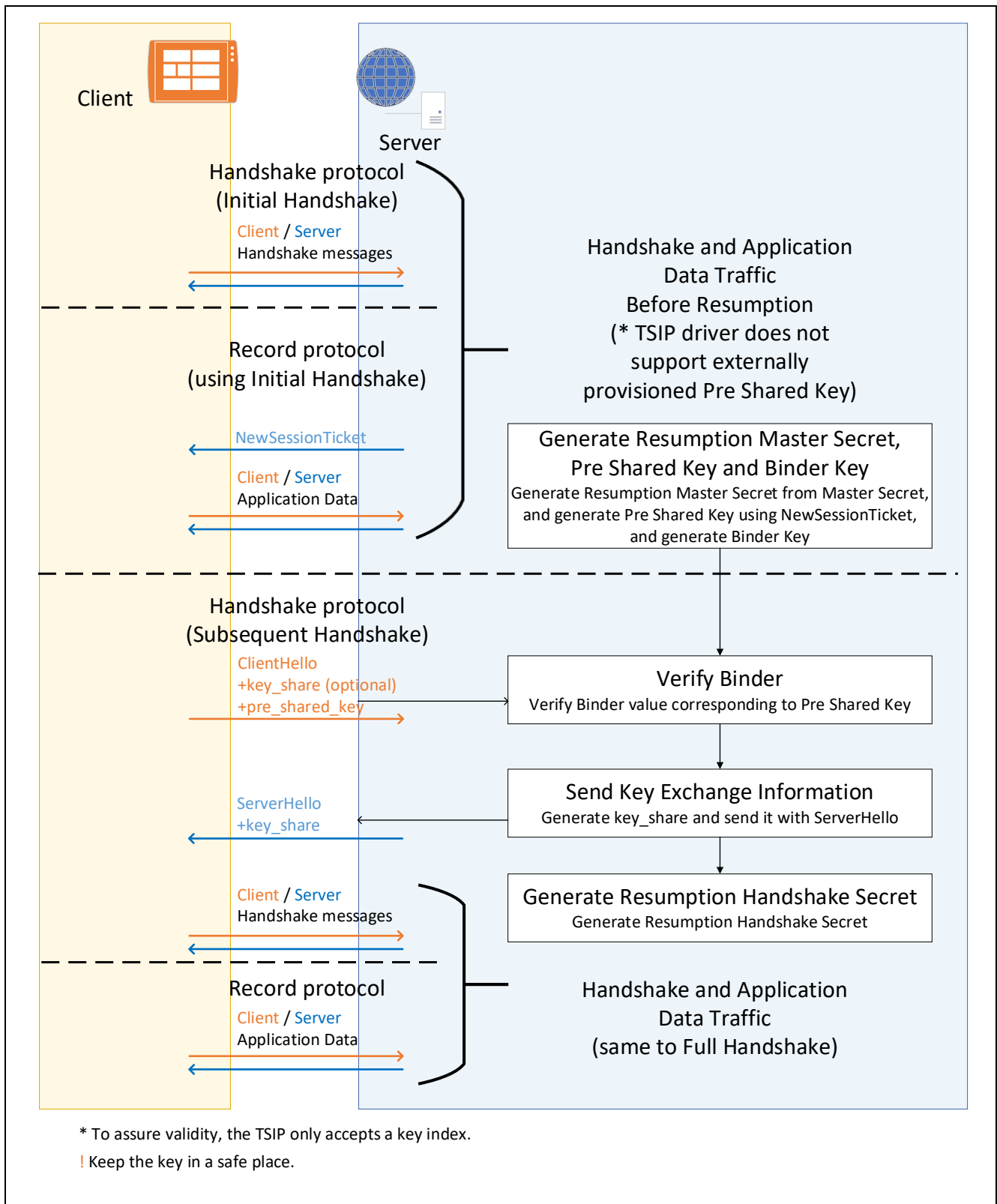


Figure 3.40 Resumption Implementation Using TLS 1.3 Server Function

1. Handshake and Application Data Communication before Resumption
 - 1.1 TLS 1.3 communication is established by performing a full handshake.

Note: The TSIP driver does not allow use of other than the pre shared key generated after handshaking completes.

2. Generating Resumption Master Secret, Pre Shared Key, and Binder Key
 - 2.1 Use `R_TSIP_Tls13SVGenerateResumptionMasterSecret()` with the master secret wrapped key used for the full handshake as input to generate the resumption master secret wrapped key.
 - 2.2 Use `R_TSIP_Tls13SVGeneratePreSharedKey()` with the resumption master secret wrapped key and the ticket nonce contained in the new session ticket sent to the client as input to generate the pre shared wrapped key.
 - 2.3 Use `R_TSIP_Tls13SVGeneratePskBinderKey()` with the pre shared wrapped key as input to generate the binder wrapped key.

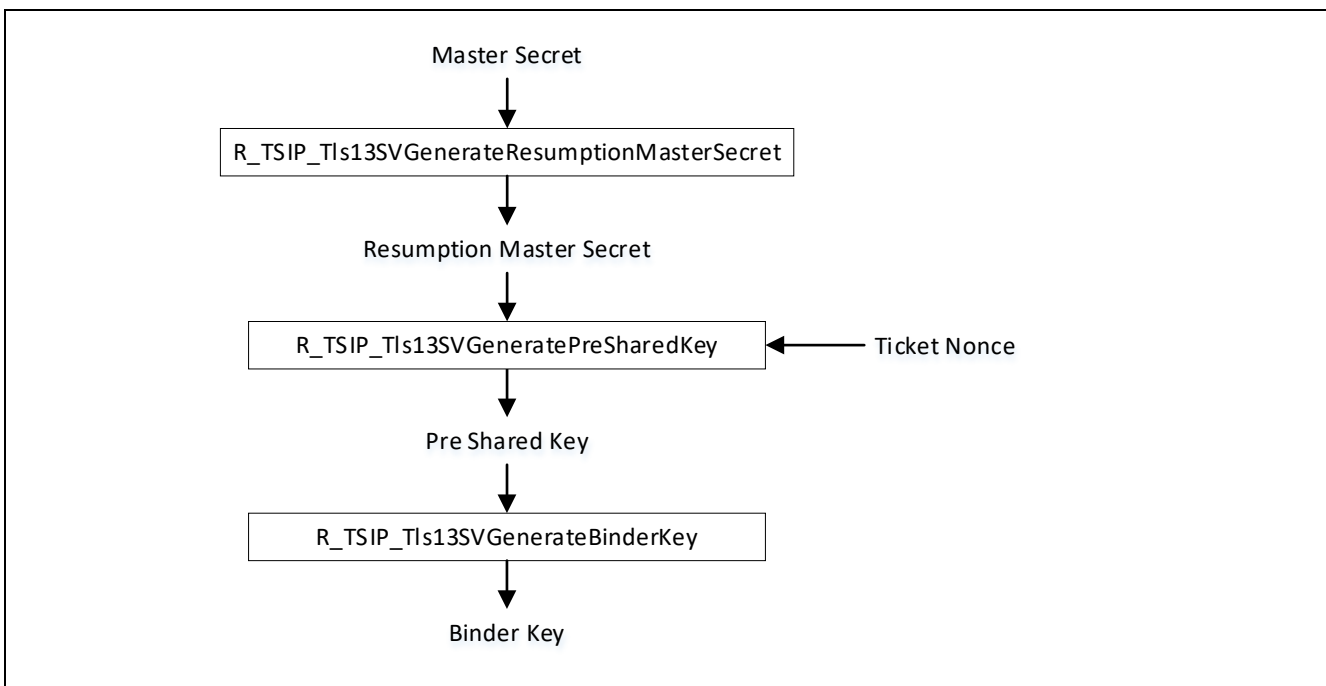


Figure 3.41 Generating Resumption Master Secret, Pre Shared Key, and Binder Key

3. Verifying Binder
 - 3.1 Use `R_TSIP_Sha256HmacVerifyInit/Update/Final()` with the binder key corresponding to the binder and pre shared key information received together with ClientHello as input to verify the binder.

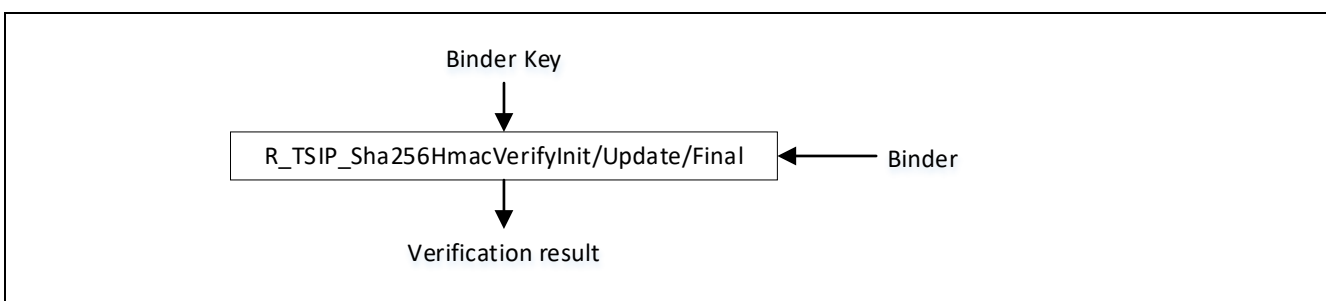


Figure 3.42 Verifying Binder

4. Generating Handshake Secret for Resumption

- 4.1 As in item 3.2 of 3.13.2.1, use `R_TSIP_Tls13SVGenerateEcdheSharedSecret()` with the public key received from the server as input to generate the shared secret wrapped key.
- 4.2 Use `R_TSIP_Tls13SVGenerateResumptionHandshakeSecret()` with the pre shared wrapped key and shared secret key index as input to generate the handshake secret wrapped key to be used for resumption.

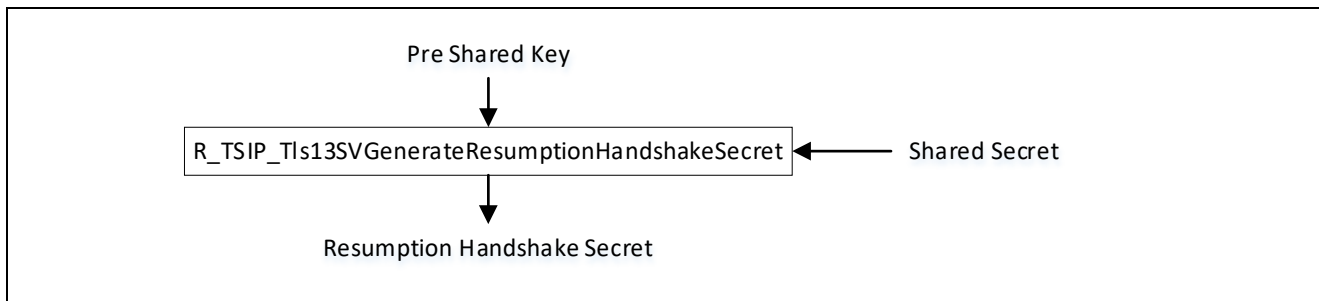


Figure 3.43 Generating Handshake Secret for Resumption

5. Handshake and Application Data Communication

- 5.1 After generating the handshake secret to be used for resumption, perform the same communication sequence as that for a full handshake to establish TLS 1.3 communication.
- 5.2 After the handshake phase completes, application data communication takes place.

3.13.2.3 0-RTT

Figure 3.31 presents an overview of 0-RTT implementation using the TLS 1.3 server function.

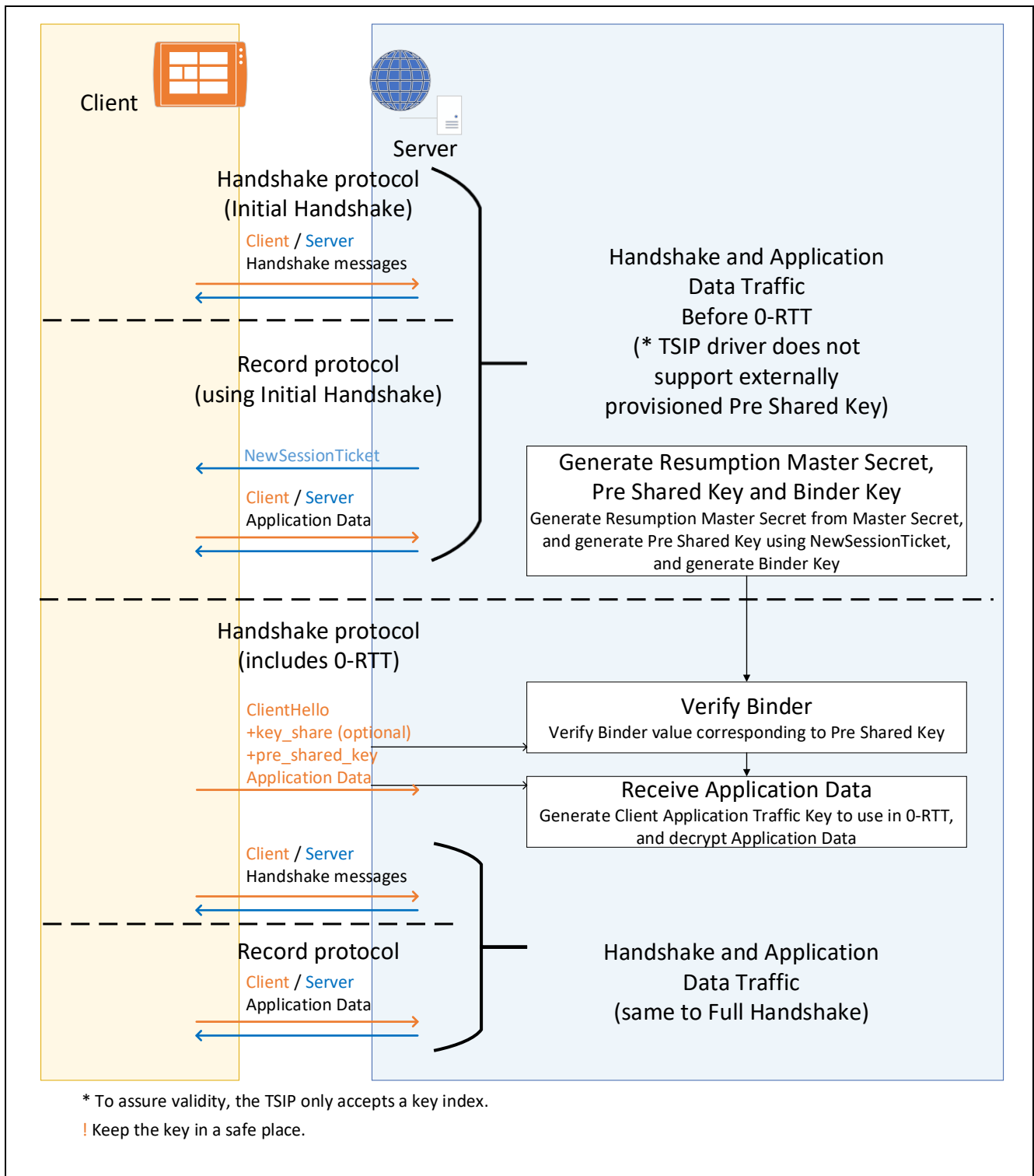


Figure 3.44 0-RTT Implementation Using TLS 1.3 Server Function

1. Handshake and Application Data Communication before Resumption

- 1.1 TLS 1.3 communication is established by performing a full handshake.

Note: The TSIP driver does not allow use of other than the pre shared key generated after handshaking completes.

2. Generating Resumption Master Secret, Pre Shared Key, and Binder Key

- 2.1 The subsequent processing is the same as item 2. of 3.13.2.2: Use `R_TSIP_Tls13SVGenerateResumptionMasterSecret()` with the master secret wrapped key used for the full handshake as input generate the resumption master secret wrapped key.
- 2.2 Use `R_TSIP_Tls13SVGeneratePreSharedKey()` with the resumption master secret wrapped key and the ticket nonce contained in the new session ticket sent to the client as input to generate the pre shared wrapped key.
- 2.3 Use `R_TSIP_Tls13SVGeneratePskBinderKey()` with the pre shared wrapped key as input to generate the binder key index.

3. Verifying Binder

- 3.1 As in item 3.1 of 3.13.2.2, use `R_TSIP_Sha256HmacVerifyInit/Update/Final()` with the binder key corresponding to the binder and pre shared key information received together with `ClientHello` as input to verify the binder.

4. Receiving Application Data

- 4.1 Use `R_TSIP_Tls13SVGenerate0RttApplicationWriteKey()` with the pre shared wrapped key as input to generate the client write wrapped key to be used for 0-RTT.
- 4.2 Use `R_TSIP_Tls13DecryptInit/Update/Final()` with the client write wrapped key as input to decrypt the application data.

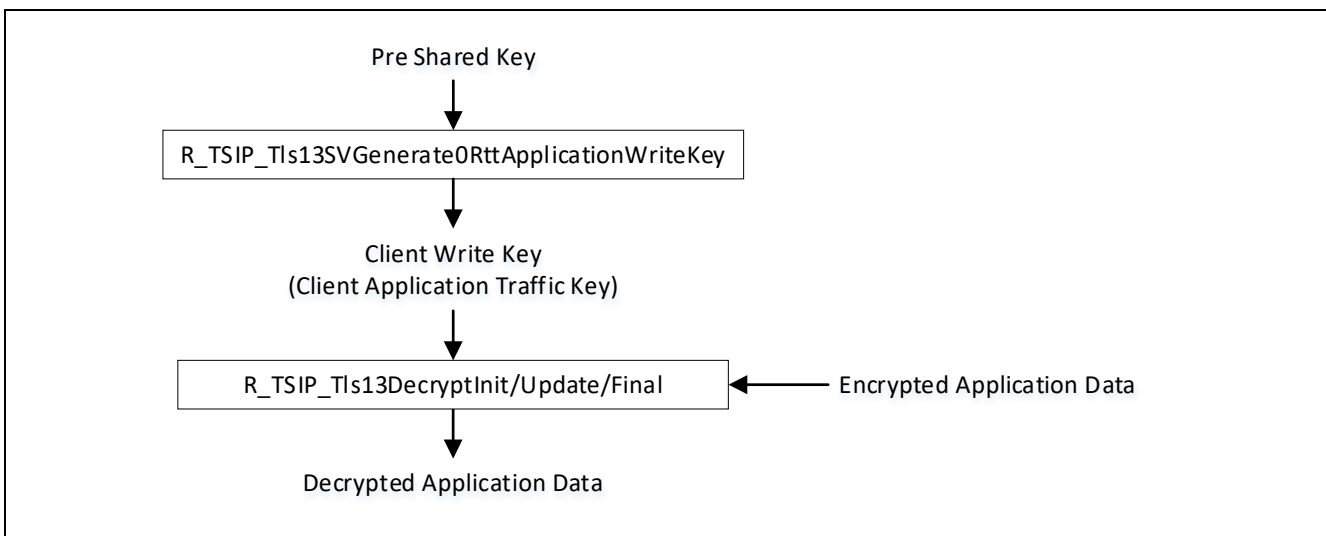


Figure 3.45 Receiving Application Data

5. Handshake and Application Data Communication

- 5.1 After sending the application data as 0-RTT, perform the same communication sequence as that for a full handshake to establish TLS 1.3 communication.
- 5.2 After the handshake phase completes, application data communication takes place.

Note: As stated in section 2.3 of RFC 8446, when using 0-RTT the data is not forward secret and there are no guarantees of non-replay between connections. A judgment must be made with these risks in mind as to the use of this functionality.

3.14 Firmware Update

The TSIP driver supports firmware update functionality to decrypt encrypted programs and perform MAC verification.

The driver provides APIs for the following firmware update operations:

No.	API	Description
1	R_TSIP_StartUpdateFirmware	Transitions the TSIP to a state in which the firmware update functionality can be used.
2	R_TSIP_GenerateFirmwareMAC*	Decrypts an encrypted program, performs MAC verification, and generates a MAC.
3	R_TSIP_VerifyFirmwareMAC*	Performs verification of a specified area using the MAC generated by R_TSIP_GenerateFirmwareMAC*.

* = Init, Update, Final

The firmware update functionality provides a mechanism for securely delivering an encrypted program and the key used to encrypt it. Figure 3.2 shows the program encryption, encryption key injection, and MAC verification operation sequence, including use of the Renesas Key Wrap service.

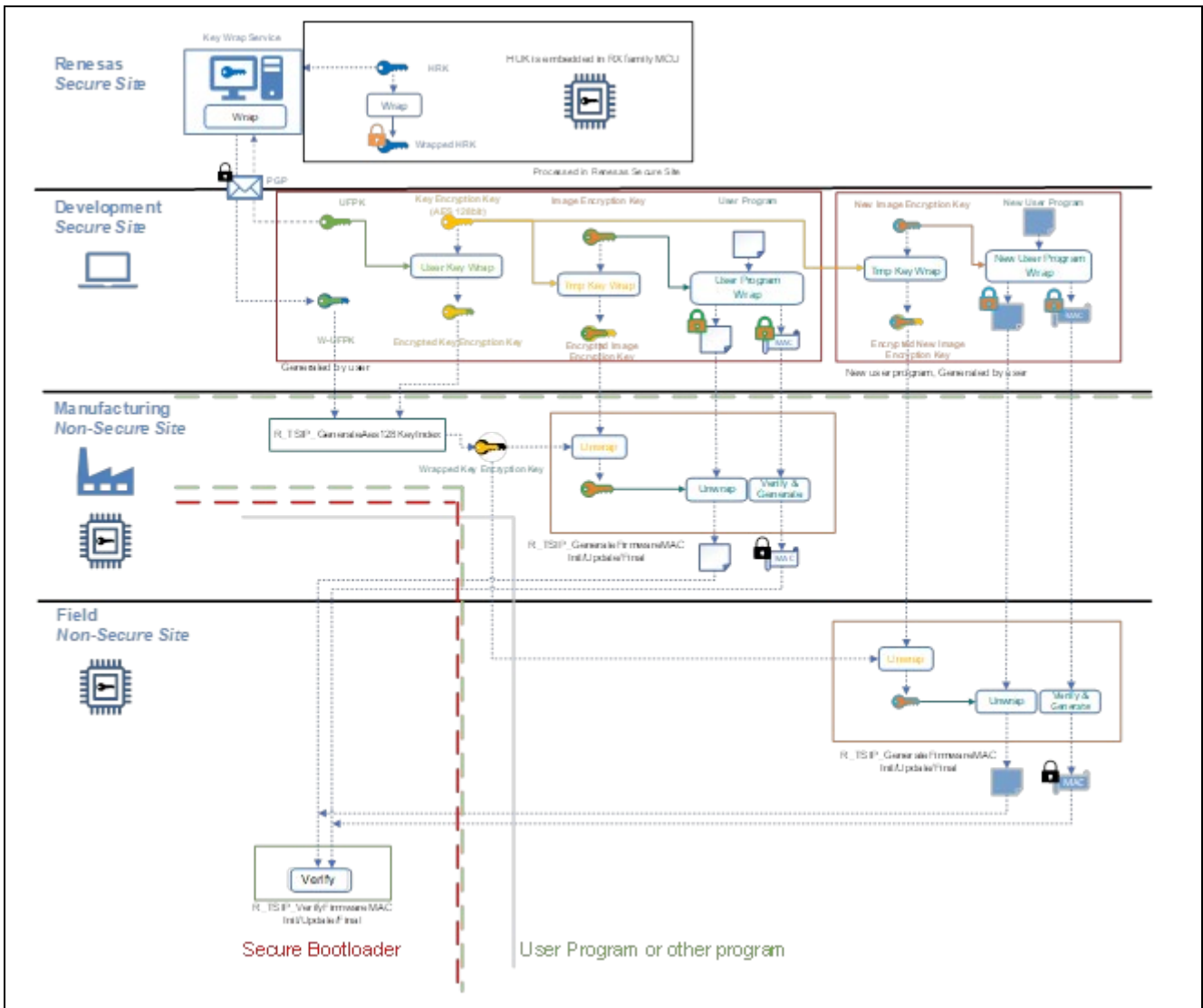


Figure 3.46 Firmware Update Sequence

3.14.1 Secure Boot

Secure boot refers to a program with functionality for detecting tampering with the user program. It is executed after a reset before the user program runs.

R_TSIP_VerifyFirmwareMACInit/Update/Final can be used as a secure boot program. Run R_TSIP_VerifyFirmwareMACInit/Update/Final with the MAC value output by R_TSIP_GenerateFirmwareMACInit/Update/Final as input.

3.14.2 Firmware Update

R_TSIP_GenerateFirmwareMACInit/Update/Final, which decrypts an encrypted program and performs MAC verification, can be used for firmware update operations. When MAC verification is successful, R_TSIP_GenerateFirmwareMACInit/Update/Final newly generates a MAC linked to the HRK.

R_TSIP_GenerateFirmwareMACInit/Update/Final can be run after first calling R_TSIP_StartUpdateFirmware to put the TSIP into firmware update status.

3.14.3 Encrypting the User Program

The method for encrypting the user program is shown below. AES-CBC is used as the firmware encryption algorithm and AES-CBCMAC as the MAC.

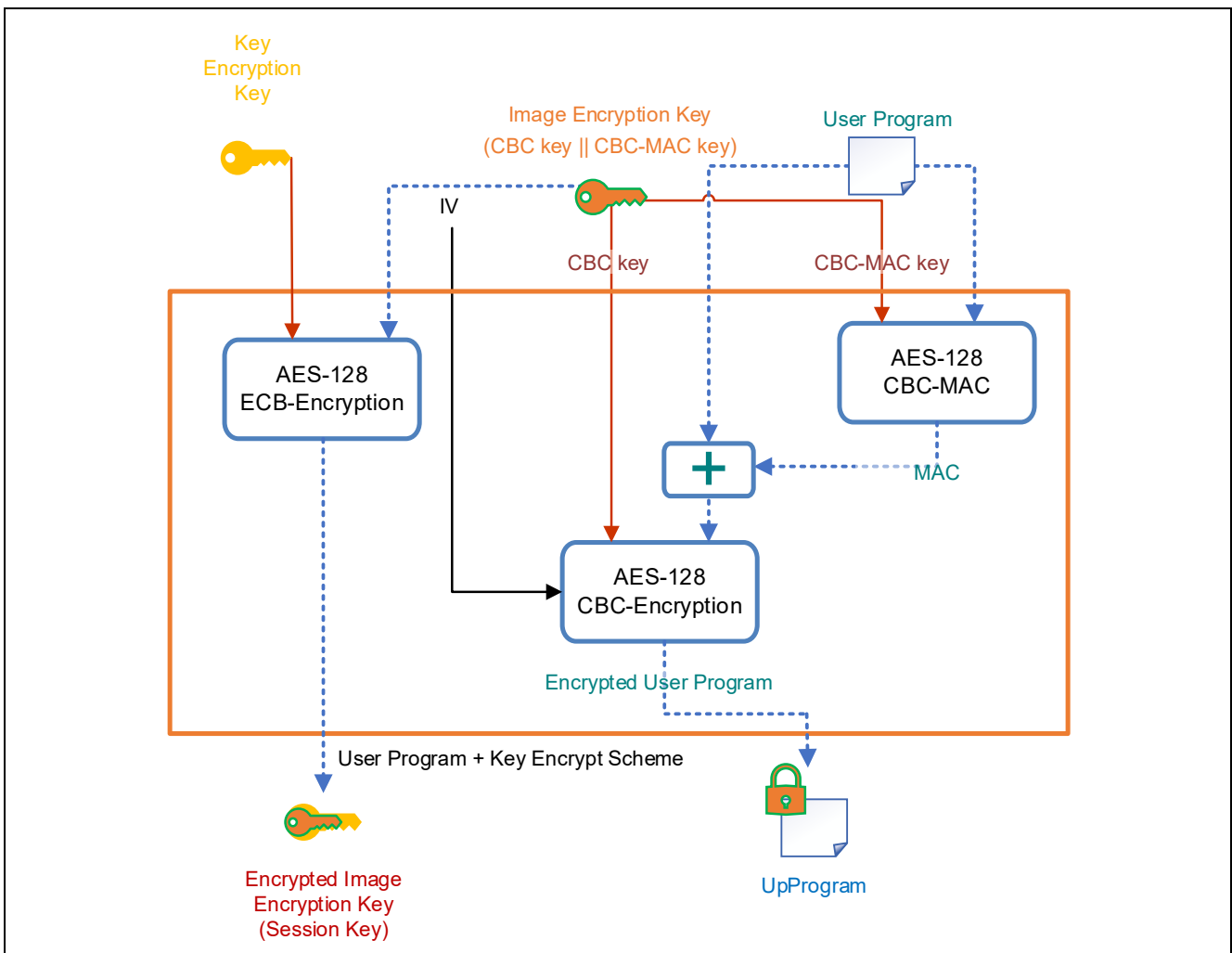


Figure 3.47 Firmware and Session Key Encryption Method

First, a key for encrypting the user program (image encryption key) and a user program key (key encryption key) for encrypting the image encryption key are prepared. Then the image encryption key is used to

generate a MAC and encrypt the user program (UpProgram), the key encryption key is used to encrypt the image encryption key, and an encrypted image encryption key (session key) is generated.

4. API Functions

4.1 List of APIs

The TSIP driver implements the following APIs:

1. Common function APIs
2. Random number generation API
3. AES encryption/decryption APIs
4. DES encryption/decryption APIs
5. ARC4 encryption/decryption APIs
6. RSA operation APIs
7. ECC signature generation/verification APIs
8. HASH calculation APIs
9. HMAC generation/verification APIs
10. DH calculation API
11. ECDH key exchange APIs
12. Key wrap APIs
13. TLS function APIs
14. Firmware update/secure boot APIs

The APIs implemented in the TSIP driver are summarized in the tables below. "XXX" in the name of an API represents either the bit length or the SHA mode.

Table 4-1 Common Function APIs

API	Description	TSIP-Lite	TSIP
R_TSIP_Open	Enables TSIP functionality.	✓	✓
R_TSIP_Close	Disables TSIP functionality.	✓	✓
R_TSIP_SoftwareReset	Resets the TSIP module.	✓	✓
R_TSIP_GetVersion	Outputs the TSIP driver version.	✓	✓
R_TSIP_GenerateUpdateKeyRingKeyIndex	Generates a wrapped key for key updating.	✓	✓

Table 4-2 Random Number Generation API

API	Description	TSIP-Lite	TSIP
R_TSIP_GenerateRandomNumber	Generates random number.	✓	✓

Table 4-3 AES Encryption/Decryption APIs

API	Description	TSIP-Lite	TSIP
R_TSIP_GenerateAesXXXKeyIndex	Generates an AES wrapped key.	✓	✓
R_TSIP_UpdateAesXXXKeyIndex	Updates an AES wrapped key.	✓	✓
R_TSIP_GenerateAesXXXRandomKeyIndex	Generates an AES key from a random number and outputs the wrapped key.	✓	✓
R_TSIP_AesXXXEcbEncryptInit R_TSIP_AesXXXEcbEncryptUpdate R_TSIP_AesXXXEcbEncryptFinal	Performs AES-ECB mode encryption.	✓	✓
R_TSIP_AesXXXEcbDecryptInit R_TSIP_AesXXXEcbDecryptUpdate R_TSIP_AesXXXEcbDecryptFinal	Performs AES-ECB mode decryption.	✓	✓
R_TSIP_AesXXXCbcEncryptInit R_TSIP_AesXXXCbcEncryptUpdate R_TSIP_AesXXXCbcEncryptFinal	Performs AES-CBC mode encryption.	✓	✓
R_TSIP_AesXXXCbcDecryptInit R_TSIP_AesXXXCbcDecryptUpdate R_TSIP_AesXXXCbcDecryptFinal	Performs AES128-CBC mode decryption.	✓	✓
R_TSIP_AesXXXCtrInit R_TSIP_AesXXXCtrUpdate R_TSIP_AesXXXCtrFinal	Performs AES-CTR mode encryption or decryption.	✓	✓
R_TSIP_AesXXXGcmEncryptInit R_TSIP_AesXXXGcmEncryptUpdate R_TSIP_AesXXXGcmEncryptFinal	Performs AES-GCM encryption.	✓	✓
R_TSIP_AesXXXGcmDecryptInit R_TSIP_AesXXXGcmDecryptUpdate R_TSIP_AesXXXGcmDecryptFinal	Performs AES-GCM decryption.	✓	✓
R_TSIP_AesXXXCcmEncryptInit R_TSIP_AesXXXCcmEncryptUpdate R_TSIP_AesXXXCcmEncryptFinal	Performs AES-CCM encryption.	✓	✓
R_TSIP_AesXXXCcmDecryptInit R_TSIP_AesXXXCcmDecryptUpdate R_TSIP_AesXXXCcmDecryptFinal	Performs AES-CCM decryption.	✓	✓
R_TSIP_AesXXXCmacGenerateInit R_TSIP_AesXXXCmacGenerateUpdate R_TSIP_AesXXXCmacGenerateFinal	Performs AES-CMAC mode MAC generation.	✓	✓
R_TSIP_AesXXXCmacVerifyInit R_TSIP_AesXXXCmacVerifyUpdate R_TSIP_AesXXXCmacVerifyFinal	Verifies a MAC generated in AES-CMAC mode.	✓	✓

Table 4-4 DES Encryption/Decryption APIs

API	Description	TSIP-Lite	TSIP
R_TSIP_GenerateTdesKeyIndex	Generates a TDES wrapped key.	—	✓
R_TSIP_UpdateTdesKeyIndex	Updates a TDES wrapped key.	—	✓
R_TSIP_GenerateTdesRandomKeyIndex	Generates a TDES key from a random number and outputs the wrapped key.	—	✓
R_TSIP_TdesEcbEncryptInit R_TSIP_TdesEcbEncryptUpdate R_TSIP_TdesEcbEncryptFinal	Performs TDES-ECB mode encryption.	—	✓
R_TSIP_TdesEcbDecryptInit R_TSIP_TdesEcbDecryptUpdate R_TSIP_TdesEcbDecryptFinal	Performs TDES-ECB mode decryption.	—	✓
R_TSIP_TdesCbcEncryptInit R_TSIP_TdesCbcEncryptUpdate R_TSIP_TdesCbcEncryptFinal	Performs TDES-CBC mode encryption.	—	✓
R_TSIP_TdesCbcDecryptInit R_TSIP_TdesCbcDecryptUpdate R_TSIP_TdesCbcDecryptFinal	Performs TDES-CBC mode decryption.	—	✓

Table 4-5 ARC4 Encryption/Decryption APIs

API	Description	TSIP-Lite	TSIP
R_TSIP_GenerateArc4KeyIndex	Generates an ARC4 wrapped key.	—	✓
R_TSIP_UpdateArc4KeyIndex	Updates an ARC4 wrapped key.	—	✓
R_TSIP_GenerateArc4RandomKeyIndex	Generates an ARC4 key from a random number and outputs the wrapped key.	—	✓
R_TSIP_Arc4EncryptInit R_TSIP_Arc4EncryptUpdate R_TSIP_Arc4EncryptFinal	Performs ARC4 encryption.	—	✓
R_TSIP_Arc4DecryptInit R_TSIP_Arc4DecryptUpdate R_TSIP_Arc4DecryptFinal	Performs ARC4 decryption.	—	✓

Table 4-6 RSA Operation APIs

API	Description	TSIP-Lite	TSIP
R_TSIP_GenerateRsaXXXPrivateKeyIndex	Generates an RSA secret wrapped key.	—	✓
R_TSIP_GenerateRsaXXXPublicKeyIndex	Generates an RSA public wrapped key.	—	✓
R_TSIP_UpdateRsaXXXPrivateKeyIndex	Updates an RSA secret wrapped key.	—	✓
R_TSIP_UpdateRsaXXXPublicKeyIndex	Updates an RSA public wrapped key.	—	✓
R_TSIP_GenerateRsaXXXRandomKeyIndex	Generates a pair of RSA wrapped keys from a random number. Exponent is fixed at 0x10001.	—	✓
R_TSIP_RsaesPkcsXXXEncrypt	Performs RSA encryption using RSAES-PKCS1-V1_5.	—	✓
R_TSIP_RsaesPkcsXXXDecrypt	Performs RSA decryption using RSAES-PKCS1-V1_5.	—	✓
R_TSIP_RsaesOaepXXXEncrypt	Performs RSA encryption using RSAES-OAEP.	—	✓
R_TSIP_RsaesOaepXXXDecrypt	Performs RSA decryption using RSAES-OAEP.	—	✓
R_TSIP_RsassaPkcsXXXSignatureGenerate	Generates a digital signature using RSASSA-PKCS1-V1_5.	—	✓
R_TSIP_RsassaPkcsXXXSignatureVerification	Verifies a digital signature using RSASSA-PKCS1-V1_5.	—	✓
R_TSIP_RsassaPssXXXSignatureGenerate	Generates a digital signature using RSASSA-PSS.	—	✓
R_TSIP_RsassaPssXXXSignatureVerification	Verifies a digital signature using RSASSA-PSS.	—	✓

Table 4-7 ECC Signature Generation/Verification APIs

API	Description	TSIP-Lite	TSIP
R_TSIP_GenerateEccPXXXPublicKeyIndex	Generates an ECC public wrapped key.	—	✓
R_TSIP_GenerateEccPXXXPrivateKeyIndex	Generates an ECC secret wrapped key.	—	✓
R_TSIP_UpdateEccPXXXPublicKeyIndex	Updates an ECC public wrapped key.	—	✓
R_TSIP_UpdateEccPXXXPrivateKeyIndex	Updates an ECC secret wrapped key.	—	✓
R_TSIP_GenerateEccPXXXRandomKeyIndex	Generates a pair of ECC wrapped keys from a random number.	—	✓
R_TSIP_EcdsaPXXXSignatureGenerate	Generates a digital signature using ECDSA.	—	✓
R_TSIP_EcdsaPXXXSignatureVerification	Verifies a digital signature using ECDSA.	—	✓

Table 4-8 HASH Calculation APIs

API	Description	TSIP-Lite	TSIP
R_TSIP_ShaXXXInit R_TSIP_ShaXXXUpdate R_TSIP_ShaXXXFinal	Performs hash value operations using SHA.	—	✓
R_TSIP_Md5Init R_TSIP_Md5Update R_TSIP_Md5Final	Performs hash value operations using MD5.	—	✓
R_TSIP_GetCurrentHashDigestValue	Gets hash value for current input.	—	✓

Table 4-9 HMAC Generation/Verification APIs

API	Description	TSIP-Lite	TSIP
R_TSIP_GenerateShaXXXHmacKeyIndex	Generates an SHA-HMAC wrapped key.	—	✓
R_TSIP_UpdateShaXXXHmacKeyIndex	Updates an SHA-HMAC wrapped key.	—	✓
R_TSIP_ShaXXXHmacGenerateInit R_TSIP_ShaXXXHmacGenerateUpdate R_TSIP_ShaXXXHmacGenerateFinal	Performs SHA-HMAC generation.	—	✓
R_TSIP_ShaXXXHmacVerifyInit R_TSIP_ShaXXXHmacVerifyUpdate R_TSIP_ShaXXXHmacVerifyFinal	Performs SHA-HMAC verification.	—	✓

Table 4-10 DH Calculation API

API	Description	TSIP-Lite	TSIP
R_TSIP_Rsa2048DhKeyAgreement	Performs DH operations using RSA-2048.	—	✓

Table 4-11 ECDH Key Exchange APIs

API	Description	TSIP-Lite	TSIP
R_TSIP_EcdhP256Init	Prepares for performance of ECDH P-256 key exchange operations.	—	✓
R_TSIP_EcdhP256ReadPublicKey	Verifies the ECC P-256 public key signature of the other key exchange party.	—	✓
R_TSIP_EcdhP256MakePublicKey	Signs an ECC P-256 secret key.	—	✓
R_TSIP_EcdhP256CalculateSharedSecretIndex	Calculates the shared secret Z from the public key of the other key exchange party and your own secret key.	—	✓
R_TSIP_EcdhP256KeyDerivation	Derives Z from a shared key.	—	✓
R_TSIP_EcdheP512KeyAgreement	Performs ECDHE operations using Brainpool P512r1.	—	✓
R_TSIP_EcdhP256SshKeyDerivation	Derives Z from a shared key to use in SSH.	—	✓

Table 4-12 Key Exchange APIs

API	Description	TSIP-Lite	TSIP
R_TSIP_AesXXXKeyWrap	Wraps a key using an AES key.	✓	✓
R_TSIP_AesXXXKeyUnwrap	Unwraps a key wrapped with an AES key.	✓	✓

Table 4-13 TLS Function APIs

API	Description	TSIP -Lite	TSIP
R_TSIP_GenerateTlsXXRsaPublicKeyIndex	Generates an RSA public wrapped key used in TLS cooperation.	—	✓
R_TSIP_UpdateTlsXXRsaPublicKeyIndex	Updates an RSA public wrapped key used in TLS cooperation.	—	✓
R_TSIP_RegisterCaCertificationPublicKeyIndex		—	✓
R_TSIP_TlsXXRootCertificateVerification	Verifies a root CA certificate bundle.	—	✓
R_TSIP_TlsXXCertificateVerification	Verifies the signature of a server certificate or intermediate certificate.	—	✓
R_TSIP_TlsXXCertificateVerificationExtension	Verifies the signature of a server certificate or intermediate certificate.	—	✓
R_TSIP_TlsGeneratePreMasterSecret	Generates an encrypted pre-master secret.	—	✓
R_TSIP_TlsEncryptPreMasterSecretWithRsa2048PublicKey	Encrypts a pre-master secret using RSA-2048.	—	✓
R_TSIP_TlsSVGenerateServerRandom	Generates a random number value to use in ServerHello.	—	✓
R_TSIP_TlsSVDecryptPreMasterSecretWithRsa2048PrivateKey	Decrypts a pre-master secret using RSA-2048.	—	✓
R_TSIP_TlsXXGenerateMasterSecret	Generates an encrypted master secret.	—	✓
R_TSIP_TlsXXGenerateSessionKey	Outputs TLS communication keys.	—	✓
R_TSIP_TlsXXGenerateVerifyData	Generates a VerifyData message.	—	✓
R_TSIP_TlsServersEphemeralEcdhPublicKeyRetrieves	Verifies a server key exchange signature.	—	✓
R_TSIP_GenerateTlsXXP256EccKeyIndex	Generates a key pair from a random number used by the TLS cooperation function for elliptic curve cryptography over a 256-bit prime field.	—	✓
R_TSIP_TlsXXGeneratePreMasterSecretWithEcp256Key	Generates an ECC encrypted pre-master secret.	—	✓
R_TSIP_TlsXXGenerateExtendedMasterSecret	Generates an encrypted extended master secret.	—	✓
R_TSIP_TlsSVCertificateVerifyVerification	Verifies a CertificateVerify message received from the client.	—	✓
R_TSIP_GenerateTls13P256EccKeyIndex	Generates a key pair from a random number used by the TLS 1.3 cooperation function for elliptic curve cryptography over a 256-bit prime field.	—	✓
R_TSIP_Tls13GenerateEcdheSharedSecret	Generates a shared secret wrapped key.	—	✓
R_TSIP_Tls13GenerateHandshakeSecret	Generates a handshake secret wrapped key.	—	✓
R_TSIP_Tls13GenerateServerHandshakeTrafficKey	Generates a server write wrapped key and server finished wrapped key.	—	✓
R_TSIP_Tls13ServerHandshakeVerification	Verifies finished information provided by the server.	—	✓
R_TSIP_Tls13GenerateClientHandshakeTrafficKey	Generates a client write wrapped key and client finished wrapped key.	—	✓
R_TSIP_Tls13GenerateMasterSecret	Generates a master secret key index.	—	✓
R_TSIP_Tls13GenerateApplicationTrafficKey	Generates an application traffic secret wrapped key and an application traffic wrapped key.	—	✓

API	Description	TSIP -Lite	TSIP
R_TSIP_Tls13UpdateApplicationTrafficKey	Updates an application traffic secret wrapped key and an application traffic wrapped key.	—	✓
R_TSIP_Tls13GenerateResumptionMasterSecret	Generates a resumption master secret wrapped key.	—	✓
R_TSIP_Tls13GeneratePreSharedKey	Generates a pre shared wrapped key.	—	✓
R_TSIP_Tls13GeneratePskBinderKey	Generates a binder wrapped key.	—	✓
R_TSIP_Tls13GenerateResumptionHandshakeSecret	Generates a handshake secret wrapped key for resumption.	—	✓
R_TSIP_Tls13Generate0RttApplicationWriteKey	Generates a client write wrapped key for 0-RTT.	—	✓
R_TSIP_Tls13CertificateVerifyGenerate	Generates a CertificateVerify message to be sent to the server.	—	✓
R_TSIP_Tls13CertificateVerifyVerification	Verifies a CertificateVerify message received from the server.	—	✓
R_TSIP_GenerateTls13SVP256EccKeyIndex	Generates a key pair from a random number used by the TLS 1.3 cooperation function for elliptic curve cryptography over a 256-bit prime field.	—	✓
R_TSIP_Tls13SVGenerateEcdheSharedSecret	Generates a shared secret wrapped key.	—	✓
R_TSIP_Tls13SVGenerateHandshakeSecret	Generates a handshake secret wrapped key.	—	✓
R_TSIP_Tls13SVGenerateServerHandshakeTrafficKey	Generates a server write wrapped key and server finished wrapped key.	—	✓
R_TSIP_Tls13SVGenerateClientHandshakeTrafficKey	Generates a client write wrapped key and client finished wrapped key.	—	✓
R_TSIP_Tls13SVClientHandshakeVerification	Verifies finished information provided by the client.	—	✓
R_TSIP_Tls13SVGenerateMasterSecret	Generates a master secret wrapped key.	—	✓
R_TSIP_Tls13SVGenerateApplicationTrafficKey	Generates an application traffic secret wrapped key and application traffic wrapped key.	—	✓
R_TSIP_Tls13SVUpdateApplicationTrafficKey	Updates an application traffic secret wrapped key and application traffic wrapped key.	—	✓
R_TSIP_Tls13SVGenerateResumptionMasterSecret	Generates a resumption master secret wrapped key.	—	✓
R_TSIP_Tls13SVGeneratePreSharedKey	Generates a pre shared wrapped key.	—	✓
R_TSIP_Tls13SVGeneratePskBinderKey	Generates a binder wrapped key.	—	✓
R_TSIP_Tls13SVGenerateResumptionHandshakeSecret	Generates a handshake secret wrapped key for resumption.	—	✓
R_TSIP_Tls13SVGenerate0RttApplicationWriteKey	Generates a client write wrapped key for 0-RTT.	—	✓
R_TSIP_Tls13SVCertificateVerifyGenerate	Generates a CertificateVerify message to be sent to the client.	—	✓
R_TSIP_Tls13SVCertificateVerifyVerification	Verifies a CertificateVerify message received from the client.	—	✓
R_TSIP_Tls13EncryptInit R_TSIP_Tls13EncryptUpdate R_TSIP_Tls13EncryptFinal	Encrypts TLS 1.3 communication data.	—	✓

API	Description	TSIP-Lite	TSIP
R_TSIP_Tls13DecryptInit R_TSIP_Tls13DecryptUpdate R_TSIP_Tls13DecryptFinal	Decrypts TLS 1.3 communication data.	—	✓

Table 4-14 Firmware Update APIs

API	Description	TSIP-Lite	TSIP
R_TSIP_StartUpdateFirmware	Transitions to firmware update mode.	✓	✓
R_TSIP_GenerateFirmwareMACInit R_TSIP_GenerateFirmwareMACUpdate R_TSIP_GenerateFirmwareMACFinal	Decrypts and generates the MAC for encrypted firmware.	✓	✓
R_TSIP_VerifyFirmwareMACInit R_TSIP_VerifyFirmwareMACUpdate R_TSIP_VerifyFirmwareMACFinal	Performs a MAC check on the firmware.	✓	✓

4.2 Detailed Descriptions of API Functions

4.2.1 Common Function APIs

4.2.1.1 R_TSIP_Open

Format

```
#include "r_tsip_rx_if.h"
e_tsip_err_t R_TSIP_Open (
    tsip_tls_ca_certification_public_key_index_t *key_index_1,
    tsip_update_key_ring_t *key_index_2
)
```

Parameters

key_index_1	Input	TLS cooperation RSA public wrapped key
key_index_2	Input	Wrapped KUK

Return Values

TSIP_SUCCESS	Normal termination
TSIP_ERR_FAIL	Abnormal termination of self-diagnostics
TSIP_ERR_RESOURCE_CONFLICT	Occurrence of resource conflict because a hardware resource needed by the processing routine was in use by another processing routine
TSIP_ERR_RETRY	Abnormal termination of self-diagnostics Run the function again.

Description

Enables use of TSIP functionality.

For key_index_1, input the "TLS cooperation RSA public wrapped key" generated by R_TSIP_GenerateTlsRsaPublicKeyIndex() or R_TSIP_UpdateTlsRsaPublicKeyIndex(). If the TLS cooperation function is not used, input a null pointer.

For key_index_2, input the "Wrapped KUK" generated by R_TSIP_GenerateUpdateKeyRingKeyIndex(). If the key update cooperation function is not used, input a null pointer.

Note: to prevent the RX MCU from transitioning to standby mode while R_TSIP_Open() is running, R_TSIP_Open() internally calls the R_BSP_InterruptsDisable() API to disable interrupts and then the R_BSP_InterruptsEnable() API to enable interrupts.

Reentrancy

Not supported.

4.2.1.2 R_TSIP_Close

Format

```
#include "r_tsip_rx_if.h"  
e_tsip_err_t R_TSIP_Close(void)
```

Parameters

None

Return Values

TSIP_SUCCESS

Normal termination

Description

Stops TSIP functionality.

Reentrancy

Not supported.

4.2.1.3 R_TSIP_SoftwareReset

Format

```
#include "r_tsip_rx_if.h"  
void R_TSIP_SoftwareReset(void)
```

Parameters

None

Return Values

None

Description

Returns the TSIP to the initial state.

Reentrancy

Not supported.

4.2.1.4 R_TSIP_GetVersion

Format

```
#include "r_tsip_rx_if.h"
uint32_t R_TSIP_GetVersion(void)
```

Parameters

None

Return Values

Upper 2 bytes:	Major version (decimal notation)
Lower 2 bytes:	Minor version (decimal notation)

Description

This function can be used to obtain the TSIP driver version.

Reentrancy

Not supported.

4.2.1.5 R_TSIP_GenerateUpdateKeyRingKeyIndex

Format

```
#include "r_tsip_rx_if.h"
e_tsip_err_t R_TSIP_GenerateUpdateKeyRingKeyIndex(
    uint8_t *encrypted_provisioning_key,
    uint8_t *iv,
    uint8_t *encrypted_key,
    tsip_update_key_ring_t *key_index
)
```

Parameters

encrypted_provisioning_key	Input	W-UFPK
iv	Input	Initialization vector when generating encrypted_key
encrypted_key	Input	Encrypted KUK
key_index	Output	Wrapped KUK

Return Values

TSIP_SUCCESS:	Normal termination
TSIP_ERR_FAIL:	Occurrence of internal error
TSIP_ERR_RESOURCE_CONFLICT:	Occurrence of resource conflict because a hardware resource needed by the processing routine was in use by another processing routine

Description

This API outputs a wrapped key of KUK.

For encrypted_key, input the data indicated in 7.3.7, Update Keyring, encrypted using the UFPK.

Refer to 3.7.1, Key Injection and Updating, for an explanation of encrypted_provisioning_key, iv, and encrypted_key and how to use key_index.

Reentrancy

Not supported.

4.2.2 Random Number Generation

4.2.2.1 R_TSIP_GenerateRandomNumber

Format

```
#include "r_tsip_rx_if.h"
e_tsip_err_t R_TSIP_GenerateRandomNumber(
    uint32_t *random
)
```

Parameters

random	Output	4-word (16-byte) random number value
--------	--------	--------------------------------------

Return Values

TSIP_SUCCESS:	Normal termination
TSIP_ERR_RESOURCE_CONFLICT:	Occurrence of resource conflict because a hardware resource needed by the processing routine was in use by another processing routine

Description

This API can be used to generate an NIST SP800-90A-compliant 4-word random number value.

Reentrancy

Not supported.

4.2.3 AES

4.2.3.1 R_TSIP_GenerateAesXXXKeyIndex

Format

```
(1) #include "r_tsip_rx_if.h"
    e_tsip_err_t R_TSIP_GenerateAes128KeyIndex(
        uint8_t *encrypted_provisioning_key,
        uint8_t *iv,
        uint8_t *encrypted_key,
        tsip_aes_key_index_t *key_index
    )

(2) #include "r_tsip_rx_if.h"
    e_tsip_err_t R_TSIP_GenerateAes256KeyIndex(
        uint8_t *encrypted_provisioning_key,
        uint8_t *iv,
        uint8_t *encrypted_key,
        tsip_aes_key_index_t *key_index
    )
```

Parameters

encrypted_provisioning_key	Input	W-UFPK
iv	Input	Initialization vector when generating encrypted_key
encrypted_key	Input	Encrypted key encrypted using UFPK
key_index	Output	Wrapped key

Return Values

TSIP_SUCCESS:	Normal termination
TSIP_ERR_FAIL:	Occurrence of internal error
TSIP_ERR_RESOURCE_CONFLICT:	Occurrence of resource conflict because a hardware resource needed by the processing routine was in use by another processing routine

Description

R_TSIP_GenerateAes128KeyIndex is an API that outputs an AES 128-bit wrapped key.

R_TSIP_GenerateAes256KeyIndex is an API that outputs an AES 256-bit wrapped key.

For encrypted_key, input the data indicated in 7.3.1, AES, encrypted using the UFPK.

Refer to 3.7.1, Key Injection and Updating, for an explanation of encrypted_provisioning_key, iv, and encrypted_key and how to use key_index.

Reentrancy

Not supported.

4.2.3.2 R_TSIP_UpdateAesXXXKeyIndex

Format

- ```
(1) #include "r_tsip_rx_if.h"
 e_tsip_err_t R_TSIP_UpdateAes128KeyIndex(
 uint8_t *iv,
 uint8_t *encrypted_key,
 tsip_aes_key_index_t *key_index
)

(2) #include "r_tsip_rx_if.h"
 e_tsip_err_t R_TSIP_UpdateAes256KeyIndex(
 uint8_t *iv,
 uint8_t *encrypted_key,
 tsip_aes_key_index_t *key_index
)
```

#### Parameters

| Parameter     | Direction | Description                                         |
|---------------|-----------|-----------------------------------------------------|
| iv            | Input     | Initialization vector when generating encrypted_key |
| encrypted_key | Input     | Encrypted key encrypted using KUK                   |
| key_index     | Output    | Wrapped key                                         |

#### Return Values

|                             |                                                                                                                                       |
|-----------------------------|---------------------------------------------------------------------------------------------------------------------------------------|
| TSIP_SUCCESS:               | Normal termination                                                                                                                    |
| TSIP_ERR_FAIL:              | Occurrence of internal error                                                                                                          |
| TSIP_ERR_RESOURCE_CONFLICT: | Occurrence of resource conflict because a hardware resource needed by the processing routine was in use by another processing routine |

#### Description

R\_TSIP\_UpdateAes128KeyIndex is an API that updates the wrapped key of an AES 128 key.

R\_TSIP\_UpdateAes256KeyIndex is an API that updates the wrapped key of an AES 256 key.

For encrypted\_key, input the data indicated in 7.3.1, AES, encrypted using the KUK.

Refer to 3.7.1, Key Injection and Updating, for an explanation of iv and encrypted\_key and how to use key\_index.

#### Reentrancy

Not supported.

### 4.2.3.3 R\_TSIP\_GenerateAesXXXRandomKeyIndex

#### Format

- ```
(1) #include "r_tsip_rx_if.h"
    e_tsip_err_t R_TSIP_GenerateAes128RandomKeyIndex(
        tsip_aes_key_index_t *key_index
    )
(2) #include "r_tsip_rx_if.h"
    e_tsip_err_t R_TSIP_GenerateAes256RandomKeyIndex(
        tsip_aes_key_index_t *key_index
    )
```

Parameters

key_index	Output	(1) 128-bit AES wrapped key (2) 256-bit AES wrapped key
-----------	--------	--

Return Values

TSIP_SUCCESS:	Normal termination
TSIP_ERR_RESOURCE_CONFLICT:	Occurrence of resource conflict because a hardware resource needed by the processing routine was in use by another processing routine

Description

R_TSIP_GenerateAes128RandomKeyIndex is an API that outputs an AES 128-bit wrapped key.

R_TSIP_GenerateAes256RandomKeyIndex is an API that outputs an AES 256-bit wrapped key.

This API generates a user key from a random number within the TSIP. Therefore, no user key needs to be input. Encrypting data using the wrapped key output by this API makes it possible to prevent dead copying of data.

Refer to 3.7.1, Key Injection and Updating, for an explanation of how to use key_index.

Reentrancy

Not supported.

4.2.3.4 R_TSIP_AesXXxEcbEncryptInit

Format

- ```
(1) #include "r_tsip_rx_if.h"
 e_tsip_err_t R_TSIP_Aes128EcbEncryptInit(
 tsip_aes_handle_t *handle,
 tsip_aes_key_index_t *key_index
)

(2) #include "r_tsip_rx_if.h"
 e_tsip_err_t R_TSIP_Aes256EcbEncryptInit(
 tsip_aes_handle_t *handle,
 tsip_aes_key_index_t *key_index
)
```

##### Parameters

|           |        |                         |
|-----------|--------|-------------------------|
| handle    | Output | AES handler (work area) |
| key_index | Input  | Wrapped key             |

##### Return Values

|                             |                                                                                                                                       |
|-----------------------------|---------------------------------------------------------------------------------------------------------------------------------------|
| TSIP_SUCCESS:               | Normal termination                                                                                                                    |
| TSIP_ERR_FAIL:              | Occurrence of internal error (Only for TSIP)                                                                                          |
| TSIP_ERR_RESOURCE_CONFLICT: | Occurrence of resource conflict because a hardware resource needed by the processing routine was in use by another processing routine |
| TSIP_ERR_KEY_SET:           | Invalid wrapped key input                                                                                                             |

##### Description

The R\_TSIP\_AesXXxEcbEncryptInit() function performs preparations for the execution of AES calculation and writes the result to the first parameter, handle. The parameter handle is used subsequently as a parameter by the R\_TSIP\_AesXXxEcbEncryptUpdate() and R\_TSIP\_AesXXxEcbEncryptFinal() functions.

Refer to 3.7.1, Key Injection and Updating, for an explanation of how to generate key\_index.

##### Reentrancy

Not supported.



### 4.2.3.5 R\_TSIP\_AesXXxEcbEncryptUpdate

#### Format

- ```
(1) #include "r_tsip_rx_if.h"
    e_tsip_err_t R_TSIP_Aes128EcbEncryptUpdate(
        tsip_aes_handle_t *handle,
        uint8_t *plain,
        uint8_t *cipher,
        uint32_t plain_length
    )

(2) #include "r_tsip_rx_if.h"
    e_tsip_err_t R_TSIP_Aes256EcbEncryptUpdate(
        tsip_aes_handle_t *handle,
        uint8_t *plain,
        uint8_t *cipher,
        uint32_t plain_length
    )
```

Parameters

handle	Input/output	AES handler (work area)
plain	Input	Plaintext data area
cipher	Output	Ciphertext data area
plain_length	Input	Byte length of plaintext data (Must be a multiple of 16.)

Return Values

TSIP_SUCCESS:	Normal termination
TSIP_ERR_PARAMETER:	Invalid handle input
TSIP_ERR_PROHIBIT_FUNCTION:	Invalid function called

Description

Using the handle specified by the first parameter, handle, the R_TSIP_AesXXxEcbEncryptUpdate() function encrypts the second parameter, plain, using the key index specified by the R_TSIP_AesXXxEcbEncryptInit() function, and writes the encrypted result to the third parameter, cipher. After plaintext input completes, call R_TSIP_AesXXxEcbEncryptFinal().

Except in cases where the addresses are the same, specify areas for plain and cipher that do not overlap.

Reentrancy

Not supported.

4.2.3.6 R_TSIP_AesXXxEcbEncryptFinal

Format

- ```
(1) #include "r_tsip_rx_if.h"
 e_tsip_err_t R_TSIP_Aes128EcbEncryptFinal(
 tsip_aes_handle_t *handle,
 uint8_t *cipher,
 uint32_t *cipher_length
)

(2) #include "r_tsip_rx_if.h"
 e_tsip_err_t R_TSIP_Aes256EcbEncryptFinal(
 tsip_aes_handle_t *handle,
 uint8_t *cipher,
 uint32_t *cipher_length
)
```

#### Parameters

|               |        |                                                       |
|---------------|--------|-------------------------------------------------------|
| handle        | Input  | AES handler (work area)                               |
| cipher        | Output | Ciphertext data area (Nothing is ever written here.)  |
| cipher_length | Output | Ciphertext data length (The write value is always 0.) |

#### Return Values

|                             |                              |
|-----------------------------|------------------------------|
| TSIP_SUCCESS:               | Normal termination           |
| TSIP_ERR_FAIL:              | Occurrence of internal error |
| TSIP_ERR_PARAMETER:         | Invalid handle input         |
| TSIP_ERR_PROHIBIT_FUNCTION: | Invalid function called      |

#### Description

Using the handle specified by the first parameter, handle, the R\_TSIP\_AesXXxEcbEncryptFinal() function writes the calculation result to the second parameter, cipher, and writes the length of the calculation result to the third parameter, cipher\_length. The original intent was for any portion of the encrypted result that was not a multiple of 16 bytes to be written to the second parameter. However, due to the restriction that only multiples of 16 can be input to the R\_TSIP\_AesXXxEcbEncryptUpdate() function, nothing is ever written to cipher, and 0 is always written to cipher\_length. The parameters cipher and cipher\_length are provided for future compatibility in anticipation of this restriction eventually being removed.

#### Reentrancy

Not supported.

### 4.2.3.7 R\_TSIP\_AesXXxEcbDecryptInit

#### Format

- ```
(1) #include "r_tsip_rx_if.h"
    e_tsip_err_t R_TSIP_Aes128EcbDecryptInit(
        tsip_aes_handle_t *handle,
        tsip_aes_key_index_t *key_index
    )
(2) #include "r_tsip_rx_if.h"
    e_tsip_err_t R_TSIP_Aes256EcbDecryptInit(
        tsip_aes_handle_t *handle,
        tsip_aes_key_index_t *key_index
    )
```

Parameters

handle	Output	AES handler (work area)
key_index	Input	Wrapped key

Return Values

TSIP_SUCCESS:	Normal termination
TSIP_ERR_FAIL:	Occurrence of internal error (Only for TSIP)
TSIP_ERR_RESOURCE_CONFLICT:	Occurrence of resource conflict because a hardware resource needed by the processing routine was in use by another processing routine
TSIP_ERR_KEY_SET:	Invalid wrapped key input

Description

The R_TSIP_AesXXxEcbDecryptInit() function performs preparations for the execution of AES calculation and writes the result to the first parameter, handle. The parameter handle is used subsequently as a parameter by the R_TSIP_AesXXxEcbDecryptUpdate() and R_TSIP_AesXXxEcbDecryptFinal() functions.

Refer to 3.7.1, Key Injection and Updating, for an explanation of how to generate key_index.

Reentrancy

Not supported.

4.2.3.8 R_TSIP_AesXXxEcbDecryptUpdate

Format

- ```
(1) #include "r_tsip_rx_if.h"
 e_tsip_err_t R_TSIP_Aes128EcbDecryptUpdate(
 tsip_aes_handle_t *handle,
 uint8_t *cipher,
 uint8_t *plain,
 uint32_t cipher_length
)

(2) #include "r_tsip_rx_if.h"
 e_tsip_err_t R_TSIP_Aes256EcbDecryptUpdate(
 tsip_aes_handle_t *handle,
 uint8_t *cipher,
 uint8_t *plain,
 uint32_t cipher_length
)
```

#### Parameters

|               |              |                                                            |
|---------------|--------------|------------------------------------------------------------|
| handle        | Input/output | AES handler (work area)                                    |
| cipher        | Input        | Ciphertext data area                                       |
| plain         | Output       | Plaintext data area                                        |
| cipher_length | Input        | Byte length of ciphertext data (Must be a multiple of 16.) |

#### Return Values

|                             |                         |
|-----------------------------|-------------------------|
| TSIP_SUCCESS:               | Normal termination      |
| TSIP_ERR_PARAMETER:         | Invalid handle input    |
| TSIP_ERR_PROHIBIT_FUNCTION: | Invalid function called |

#### Description

Using the handle specified by the first parameter, handle, the R\_TSIP\_AesXXxEcbDecryptUpdate() function decrypts the second parameter, cipher, using the key index specified by the R\_TSIP\_AesXXxEcbDecryptInit() function, and writes the decrypted result to the third parameter, plain. After ciphertext input completes, call R\_TSIP\_AesXXxEcbDecryptFinal().

Except in cases where the addresses are the same, specify areas for plain and cipher that do not overlap.

#### Reentrancy

Not supported.

### 4.2.3.9 R\_TSIP\_AesXXxEcbDecryptFinal

#### Format

- ```
(1) #include "r_tsip_rx_if.h"
    e_tsip_err_t R_TSIP_Aes128EcbDecryptFinal(
        tsip_aes_handle_t *handle,
        uint8_t *plain,
        uint32_t *plain_length
    )

(2) #include "r_tsip_rx_if.h"
    e_tsip_err_t R_TSIP_Aes256EcbDecryptFinal(
        tsip_aes_handle_t *handle,
        uint8_t *plain,
        uint32_t *plain_length
    )
```

Parameters

handle	Input	AES handler (work area)
plain	Output	Plaintext data area (Nothing is ever written here.)
plain_length	Output	Plaintext data length (The write value is always 0.)

Return Values

TSIP_SUCCESS:	Normal termination
TSIP_ERR_FAIL:	Occurrence of internal error
TSIP_ERR_PARAMETER:	Invalid handle input
TSIP_ERR_PROHIBIT_FUNCTION:	Invalid function called

Description

Using the handle specified by the first parameter, handle, the R_TSIP_AesXXxEcbDecryptFinal() function writes the calculation result to the second parameter, plain, and writes the length of the calculation result to the third parameter, plain_length. The original intent was for any portion of the decrypted result that was not a multiple of 16 bytes to be written to the second parameter. However, due to the restriction that only multiples of 16 can be input to the R_TSIP_AesXXxEcbDecryptUpdate() function, nothing is ever written to plain, and 0 is always written to plain_length. The parameters plain and plain_length are provided for future compatibility in anticipation of this restriction eventually being removed.

Reentrancy

Not supported.

4.2.3.10 R_TSIP_AesXXxCbcEncryptInit

Format

```
(1) #include "r_tsip_rx_if.h"
    e_tsip_err_t R_TSIP_Aes128CbcEncryptInit(
        tsip_aes_handle_t *handle,
        tsip_aes_key_index_t *key_index,
        uint8_t *ivec
    )
(2) #include "r_tsip_rx_if.h"
    e_tsip_err_t R_TSIP_Aes256CbcEncryptInit(
        tsip_aes_handle_t *handle,
        tsip_aes_key_index_t *key_index,
        uint8_t *ivec
    )
```

Parameters

handle	Output	AES handler (work area)
key_index	Input	Wrapped key
ivec	Input	Initialization vector (16 bytes)

Return Values

TSIP_SUCCESS:	Normal termination
TSIP_ERR_FAIL:	Occurrence of internal error (Only for TSIP)
TSIP_ERR_RESOURCE_CONFLICT:	Occurrence of resource conflict because a hardware resource needed by the processing routine was in use by another processing routine
TSIP_ERR_KEY_SET:	Invalid wrapped key input

Description

The R_TSIP_AesXXxCbcEncryptInit() function performs preparations for the execution of AES calculation, and writes the result to the first parameter, handle. The parameter handle is used subsequently as a parameter by the R_TSIP_AesXXxCbcEncryptUpdate() and R_TSIP_AesXXxCbcEncryptFinal() functions.

When using the TLS cooperation function, input client_crypto_key_index or server_crypto_key_index, generated by R_TSIP_TlsGenerateSessionKey(), as key_index.

Refer to 3.7.1, Key Injection and Updating, for an explanation of how to generate key_index.

Reentrancy

Not supported.

4.2.3.11 R_TSIP_AesXXxCbcEncryptUpdate

Format

- ```
(1) #include "r_tsip_rx_if.h"
 e_tsip_err_t R_TSIP_Aes128CbcEncryptUpdate(
 tsip_aes_handle_t *handle,
 uint8_t *plain,
 uint8_t *cipher,
 uint32_t plain_length
)

(2) #include "r_tsip_rx_if.h"
 e_tsip_err_t R_TSIP_Aes256CbcEncryptUpdate(
 tsip_aes_handle_t *handle,
 uint8_t *plain,
 uint8_t *cipher,
 uint32_t plain_length
)
```

#### Parameters

|              |              |                                                           |
|--------------|--------------|-----------------------------------------------------------|
| handle       | Input/output | AES handler (work area)                                   |
| plain        | Input        | Plaintext data area                                       |
| cipher       | Output       | Ciphertext data area                                      |
| plain_length | Input        | Byte length of plaintext data (Must be a multiple of 16.) |

#### Return Values

|                             |                         |
|-----------------------------|-------------------------|
| TSIP_SUCCESS:               | Normal termination      |
| TSIP_ERR_PARAMETER:         | Invalid handle input    |
| TSIP_ERR_PROHIBIT_FUNCTION: | Invalid function called |

#### Description

Using the handle specified by the first parameter, handle, the R\_TSIP\_AesXXxCbcEncryptUpdate() function encrypts the second parameter, plain, using the key index specified by the R\_TSIP\_AesXXxCbcEncryptInit() function, and writes the encrypted result to the third parameter, cipher. After plaintext input completes, call R\_TSIP\_AesXXxCbcEncryptFinal().

Except in cases where the addresses are the same, specify areas for plain and cipher that do not overlap.

#### Reentrancy

Not supported.

### 4.2.3.12 R\_TSIP\_AesXXXCbcEncryptFinal

#### Format

- ```
(1) #include "r_tsip_rx_if.h"
    e_tsip_err_t R_TSIP_Aes128CbcEncryptFinal(
        tsip_aes_handle_t *handle,
        uint8_t *cipher,
        uint32_t *cipher_length
    )

(2) #include "r_tsip_rx_if.h"
    e_tsip_err_t R_TSIP_Aes256CbcEncryptFinal(
        tsip_aes_handle_t *handle,
        uint8_t *cipher,
        uint32_t *cipher_length
    )
```

Parameters

handle	Input	AES handler (work area)
cipher	Output	Ciphertext data area (Nothing is ever written here.)
cipher_length	Output	Ciphertext data length (The write value is always 0.)

Return Values

TSIP_SUCCESS:	Normal termination
TSIP_ERR_FAIL:	Occurrence of internal error
TSIP_ERR_PARAMETER:	Invalid handle input
TSIP_ERR_PROHIBIT_FUNCTION:	Invalid function called

Description

Using the handle specified by the first parameter, handle, the R_TSIP_AesXXXCbcEncryptFinal() function writes the calculation result to the second parameter, cipher, and writes the length of the calculation result to the third parameter, cipher_length. The original intent was for any portion of the encrypted result that was not a multiple of 16 bytes to be written to the second parameter. However, due to the restriction that only multiples of 16 can be input to the R_TSIP_AesXXXCbcEncryptUpdate() function, nothing is ever written to cipher, and 0 is always written to cipher_length. The parameters cipher and cipher_length are provided for future compatibility in anticipation of this restriction eventually being removed.

Reentrancy

Not supported.

4.2.3.13 R_TSIP_AesXXXCbcDecryptInit

Format

```
(1) #include "r_tsip_rx_if.h"
    e_tsip_err_t R_TSIP_Aes128CbcDecryptInit(
        tsip_aes_handle_t *handle,
        tsip_aes_key_index_t *key_index,
        uint8_t *ivec
    )
(2) #include "r_tsip_rx_if.h"
    e_tsip_err_t R_TSIP_Aes256CbcDecryptInit(
        tsip_aes_handle_t *handle,
        tsip_aes_key_index_t *key_index,
        uint8_t *ivec
    )
```

Parameters

handle	Output	AES handler (work area)
key_index	Input	Wrapped key
ivec	Input	Initialization vector (16 bytes)

Return Values

TSIP_SUCCESS:	Normal termination
TSIP_ERR_FAIL:	Occurrence of internal error (Only for TSIP)
TSIP_ERR_RESOURCE_CONFLICT:	Occurrence of resource conflict because a hardware resource needed by the processing routine was in use by another processing routine
TSIP_ERR_KEY_SET:	Invalid wrapped key input

Description

The R_TSIP_AesXXXCbcDecryptInit() function performs preparations for the execution of AES calculation, and writes the result to the first parameter, handle. The parameter handle is used subsequently as a parameter by the R_TSIP_AesXXXCbcDecryptUpdate() and R_TSIP_AesXXXCbcDecryptFinal() functions.

When using the TLS cooperation function, input client_crypto_key_index or server_crypto_key_index, generated by R_TSIP_TlsGenerateSessionKey(), as key_index.

Refer to 3.7.1, Key Injection and Updating, for an explanation of how to generate key_index.

Reentrancy

Not supported.

4.2.3.14 R_TSIP_AesXXXCbcDecryptUpdate

Format

- ```
(1) #include "r_tsip_rx_if.h"
 e_tsip_err_t R_TSIP_Aes128CbcDecryptUpdate(
 tsip_aes_handle_t *handle,
 uint8_t *cipher,
 uint8_t *plain,
 uint32_t cipher_length
)

(2) #include "r_tsip_rx_if.h"
 e_tsip_err_t R_TSIP_Aes256CbcDecryptUpdate(
 tsip_aes_handle_t *handle,
 uint8_t *cipher,
 uint8_t *plain,
 uint32_t cipher_length
)
```

#### Parameters

|               |              |                                                            |
|---------------|--------------|------------------------------------------------------------|
| handle        | Input/output | AES handler (work area)                                    |
| cipher        | Input        | Ciphertext data area                                       |
| plain         | Output       | Plaintext data area                                        |
| cipher_length | Input        | Byte length of ciphertext data (Must be a multiple of 16.) |

#### Return Values

|                             |                         |
|-----------------------------|-------------------------|
| TSIP_SUCCESS:               | Normal termination      |
| TSIP_ERR_PARAMETER:         | Invalid handle input    |
| TSIP_ERR_PROHIBIT_FUNCTION: | Invalid function called |

#### Description

Using the handle specified by the first parameter, handle, the R\_TSIP\_AesXXXCbcDecryptUpdate() function decrypts the second parameter, cipher, utilizing the key index specified by the R\_TSIP\_AesXXXCbcDecryptInit() function, and writes the decrypted result to the third parameter, plain. After ciphertext input completes, call R\_TSIP\_AesXXXCbcDecryptFinal().

Except in cases where the addresses are the same, specify areas for plain and cipher that do not overlap.

#### Reentrancy

Not supported.

### 4.2.3.15 R\_TSIP\_AesXXXCbcDecryptFinal

#### Format

- ```
(1) #include "r_tsip_rx_if.h"
    e_tsip_err_t R_TSIP_Aes128CbcDecryptFinal(
        tsip_aes_handle_t *handle,
        uint8_t *plain,
        uint32_t *plain_length
    )

(2) #include "r_tsip_rx_if.h"
    e_tsip_err_t R_TSIP_Aes256CbcDecryptFinal(
        tsip_aes_handle_t *handle,
        uint8_t *plain,
        uint32_t *plain_length
    )
```

Parameters

handle	Input	AES handler (work area)
plain	Output	Plaintext data area (Nothing is ever written here.)
plain_length	Output	Plaintext data length (The write value is always 0.)

Return Values

TSIP_SUCCESS:	Normal termination
TSIP_ERR_FAIL:	Occurrence of internal error
TSIP_ERR_PARAMETER:	Invalid handle input
TSIP_ERR_PROHIBIT_FUNCTION:	Invalid function called

Description

Using the handle specified by the first parameter, handle, the R_TSIP_AesXXXCbcDecryptFinal() function writes the calculation result to the second parameter, plain, and writes the length of the calculation result to the third parameter, plain_length. The original intent was for any portion of the decrypted result that was not a multiple of 16 bytes to be written to the second parameter. However, due to the restriction that only multiples of 16 can be input to the R_TSIP_AesXXXCbcDecryptUpdate() function, nothing is ever written to plain, and 0 is always written to plain_length. The parameters plain and plain_length are provided for future compatibility in anticipation of this restriction eventually being removed.

Reentrancy

Not supported.

4.2.3.16 R_TSIP_AesXXXCtrInit

Format

```
(1) #include "r_tsip_rx_if.h"
    e_tsip_err_t R_TSIP_Aes128CtrInit(
        tsip_aes_handle_t *handle,
        tsip_aes_key_index_t *key_index,
        uint8_t *ictr
    )
(2) #include "r_tsip_rx_if.h"
    e_tsip_err_t R_TSIP_Aes256CtrInit(
        tsip_aes_handle_t *handle,
        tsip_aes_key_index_t *key_index,
        uint8_t *ictr
    )
```

Parameters

handle	Output	AES handler (work area)
key_index	Input	Wrapped key
ictr	Input	Initial counter (16 bytes)

Return Values

TSIP_SUCCESS:	Normal termination
TSIP_ERR_FAIL:	Occurrence of internal error (Only for TSIP)
TSIP_ERR_RESOURCE_CONFLICT:	Occurrence of resource conflict because a hardware resource needed by the processing routine was in use by another processing routine
TSIP_ERR_KEY_SET:	Invalid wrapped key input

Description

This function performs preparations for the execution of an AES calculation and writes the result to the parameter handle. The parameter handle is used subsequently as a parameter by the R_TSIP_AesXXXCtrUpdate() and R_TSIP_AesXXXCtrFinal() functions.

Refer to 3.7.1, Key Injection and Updating, for an explanation of how to generate key_index.

Reentrancy

Not supported.

4.2.3.17 R_TSIP_AesXXXCtrUpdate

Format

- ```
(1) #include "r_tsip_rx_if.h"
 e_tsip_err_t R_TSIP_Aes128CtrUpdate(
 tsip_aes_handle_t *handle,
 uint8_t *itext,
 uint8_t *otext,
 uint32_t itext_length
)

(2) #include "r_tsip_rx_if.h"
 e_tsip_err_t R_TSIP_Aes256CtrUpdate(
 tsip_aes_handle_t *handle,
 uint8_t *itext,
 uint8_t *otext,
 uint32_t itext_length
)
```

#### Parameters

|              |              |                                                            |
|--------------|--------------|------------------------------------------------------------|
| handle       | Input/output | AES handler (work area)                                    |
| itext        | Input        | Input text (plaintext or ciphertext) data area             |
| otext        | Output       | Output text (ciphertext or plaintext) data area            |
| itext_length | Input        | Byte length of input text data (Must be a multiple of 16.) |

#### Return Values

|                             |                         |
|-----------------------------|-------------------------|
| TSIP_SUCCESS:               | Normal termination      |
| TSIP_ERR_PARAMETER:         | Invalid handle input    |
| TSIP_ERR_PROHIBIT_FUNCTION: | Invalid function called |

#### Description

Using the handle specified by the first parameter, handle, this function encrypts the second parameter, itext, utilizing key\_index specified by the R\_TSIP\_AesXXXCtrInit() function, and writes the result to the third parameter, otext. After input of the final block completes, call R\_TSIP\_AesXXXCtrFinal(). If the length of the last block is 1 to 127 bits, allocate areas in 16-byte units for itext and otext, and set an arbitrary value for the fractional remainder area of itext. In this case, ignore the value stored in the fractional remainder area of otext.

Except in cases where the addresses are the same, specify areas for itext and otext that do not overlap.

#### Reentrancy

Not supported.

---

**4.2.3.18 R\_TSIP\_AesXXXCtrFinal**

---

**Format**

- ```
(1) #include "r_tsip_rx_if.h"
    e_tsip_err_t R_TSIP_Aes128CtrFinal(
        tsip_aes_handle_t *handle
    )
(2) #include "r_tsip_rx_if.h"
    e_tsip_err_t R_TSIP_Aes256CtrFinal(
        tsip_aes_handle_t *handle
    )
```

Parameters

handle	Input	AES handler (work area)
--------	-------	-------------------------

Return Values

TSIP_SUCCESS:	Normal termination
TSIP_ERR_FAIL:	Occurrence of internal error
TSIP_ERR_PARAMETER:	Invalid handle input
TSIP_ERR_PROHIBIT_FUNCTION:	Invalid function called

Description

Using the handle specified by the first parameter, handle, this function completes the calculation.

Reentrancy

Not supported.

4.2.3.19 R_TSIP_AesXXXGcmEncryptInit

Format

```
(1) #include "r_tsip_rx_if.h"
    e_tsip_err_t R_TSIP_Aes128GcmEncryptInit(
        tsip_gcm_handle_t *handle,
        tsip_aes_key_index_t *key_index,
        uint8_t *ivec,
        uint32_t ivec_len
    )
(2) #include "r_tsip_rx_if.h"
    e_tsip_err_t R_TSIP_Aes256GcmEncryptInit(
        tsip_gcm_handle_t *handle,
        tsip_aes_key_index_t *key_index,
        uint8_t *ivec,
        uint32_t ivec_len
    )
```

Parameters

handle	Output	AES-GCM handler (work area)
key_index	Input	Wrapped key
ivec	Input	Initialization vector area (iv_len bytes)*1
ivec_len	Input	Initialization vector length (1 or more bytes)

Return Values

TSIP_SUCCESS:	Normal termination
TSIP_ERR_FAIL:	Occurrence of internal error
TSIP_ERR_RESOURCE_CONFLICT:	Occurrence of resource conflict because a hardware resource needed by the processing routine was in use by another processing routine
TSIP_ERR_KEY_SET:	Invalid wrapped key input
TSIP_ERR_PARAMETER:	Invalid input data

Description

The R_TSIP_AesXXXGcmEncryptInit() function performs preparations for the execution of GCM calculation and writes the result to the first parameter, handle. The parameter handle is used subsequently as a parameter by the R_TSIP_AesXXX1GcmEncryptUpdate() and R_TSIP_AesXXXGcmEncryptFinal() functions.

Note: 1. When key_index->type is TSIP_KEY_INDEX_TYPE_AES128_FOR_TLS
The key_index value generated by the R_TSIP_TlsGenerateSessionKey() function includes a 96-bit IV when a value of 6 or 7 has been specified for select_cipher. In this case, input a null pointer as the third parameter, ivec, and specify 0 as the fourth parameter, ivec_len.

Refer to 3.7.1, Key Injection and Updating, for an explanation of how to generate key_index.

Reentrancy

Not supported.

4.2.3.20 R_TSIP_AesXXXGcmEncryptUpdate

Format

```
(1) #include "r_tsip_rx_if.h"
    e_tsip_err_t R_TSIP_Aes128GcmEncryptUpdate(
        tsip_gcm_handle_t *handle,
        uint8_t *plain,
        uint8_t *cipher,
        uint32_t plain_data_len,
        uint8_t *aad,
        uint32_t aad_len
    )
(2) #include "r_tsip_rx_if.h"
    e_tsip_err_t R_TSIP_Aes256GcmEncryptUpdate(
        tsip_gcm_handle_t *handle,
        uint8_t *plain,
        uint8_t *cipher,
        uint32_t plain_data_len,
        uint8_t *aad,
        uint32_t aad_len
    )
```

Parameters

handle	Input/output	AES handler (work area)
plain	Input	Plaintext data area
cipher	Output	Ciphertext data area
plain_data_len	Input	Byte length of plaintext data (Must be a multiple of 16.)
aad	Input	AAD (aad_len bytes)
aad_len	Input	AAD length (0 or more bytes)

Return Values

TSIP_SUCCESS:	Normal termination
TSIP_ERR_PARAMETER:	Invalid handle input
TSIP_ERR_PROHIBIT_FUNCTION:	Invalid function called

Description

The R_TSIP_Aes128GcmEncryptUpdate() function encrypts the plaintext specified by the second parameter, plain, in GCM mode using the values specified for key_index and ivec in R_TSIP_Aes128GcmEncryptInit() and the value specified by the fifth parameter, aad. The function internally buffers the data input by the user until the input values of aad and plain exceed 16 bytes. Once the input data from plain reaches 16 bytes or more, the encrypted result is output to the area specified by the third parameter, cipher. The lengths of the plain and aad data to be input are specified by the fourth parameter, plain_data_len, and the sixth parameter, aad_len, respectively. For these, specify not the total byte count for the aad and plain input data, but rather the data length to be input when the user calls this function. If the input values of plain and aad are not divisible by 16 bytes, the function performs padding internally. First process the data to be input as aad, and then the data to be input as plain. If aad data is input after starting to input plain data, a root error occurs. If aad data and plain data are input to the function at the same time, the aad data is processed, and then the function transitions to the plain data input state. Except in cases where the addresses are the same, specify areas for plain and cipher that do not overlap.

Reentrancy

Not supported.

4.2.3.21 R_TSIP_AesXXXGcmEncryptFinal

Format

```
(1) #include "r_tsip_rx_if.h"
    e_tsip_err_t R_TSIP_Aes128GcmEncryptFinal(
        tsip_gcm_handle_t *handle,
        uint8_t *cipher,
        uint32_t *cipher_data_len,
        uint8_t *atag
    )
(2) #include "r_tsip_rx_if.h"
    e_tsip_err_t R_TSIP_Aes256GcmEncryptFinal(
        tsip_gcm_handle_t *handle,
        uint8_t *cipher,
        uint32_t *cipher_data_len,
        uint8_t *atag
    )
```

Parameters

handle	Input	AES handler (work area)
cipher	Output	Ciphertext data area (Nothing is ever written here.)
cipher_data_len	Output	Ciphertext data length (The write value is always 0.)
atag	Output	Authentication tag area (16 bytes)

Return Values

TSIP_SUCCESS:	Normal termination
TSIP_ERR_FAIL:	Occurrence of internal error
TSIP_ERR_PARAMETER:	Invalid handle input
TSIP_ERR_PROHIBIT_FUNCTION:	Invalid function called

Description

If there is 16-byte fractional remainder data indicated by the total data length of the value of plain input to R_TSIP_AesXXXGcmEncryptUpdate(), the R_TSIP_AesXXXGcmEncryptFinal() function outputs the result of encrypting the fractional remainder data to the area specified by the second parameter, cipher. In this case, the portion short of 16 bytes is padded with zeros. The authentication tag is output as the fourth parameter, atag.

Reentrancy

Not supported.

4.2.3.22 R_TSIP_AesXXXGcmDecryptInit

Format

```
(1) #include "r_tsip_rx_if.h"
    e_tsip_err_t R_TSIP_Aes128GcmDecryptInit(
        tsip_gcm_handle_t *handle,
        tsip_aes_key_index_t *key_index,
        uint8_t *ivec,
        uint32_t ivec_len
    )
(2) #include "r_tsip_rx_if.h"
    e_tsip_err_t R_TSIP_Aes256GcmDecryptInit(
        tsip_gcm_handle_t *handle,
        tsip_aes_key_index_t *key_index,
        uint8_t *ivec,
        uint32_t ivec_len
    )
```

Parameters

handle	Output	AES handler (work area)
key_index	Input	Wrapped key
ivec	Input	Initialization vector area (iv_len bytes)* ¹
ivec_len	Input	Initialization vector length (1 or more bytes)

Return Values

TSIP_SUCCESS:	Normal termination
TSIP_ERR_FAIL:	Occurrence of internal error
TSIP_ERR_RESOURCE_CONFLICT:	Occurrence of resource conflict because a hardware resource needed by the processing routine was in use by another processing routine
TSIP_ERR_KEY_SET:	Invalid wrapped key input
TSIP_ERR_PARAMETER:	Invalid input data

Description

The R_TSIP_AesXXXGcmDecryptInit() function performs preparations for the execution of GCM calculation and writes the result to the first parameter, handle. The parameter handle is used subsequently as a parameter by the R_TSIP_AesXXXGcmDecryptUpdate() and R_TSIP_AesXXXGcmDecryptFinal() functions.

Note: 1. When key_index->type is TSIP_KEY_INDEX_TYPE_AES128_FOR_TLS
The key_index value generated by the R_TSIP_TlsGenerateSessionKey() function includes a 96-bit IV when a value of 6 or 7 has been specified for select_cipher. In this case, input a null pointer as the third parameter, ivec, and specify 0 as the fourth parameter, ivec_len.

Refer to 3.7.1, Key Injection and Updating, for an explanation of how to generate key_index.

Reentrancy

Not supported.

4.2.3.23 R_TSIP_AesXXXGcmDecryptUpdate

Format

- ```
(1) #include "r_tsip_rx_if.h"
 e_tsip_err_t R_TSIP_Aes128GcmDecryptUpdate(
 tsip_gcm_handle_t *handle,
 uint8_t *cipher,
 uint8_t *plain,
 uint32_t cipher_data_len,
 uint8_t *aad,
 uint32_t aad_len
)

(2) #include "r_tsip_rx_if.h"
 e_tsip_err_t R_TSIP_Aes256GcmDecryptUpdate(
 tsip_gcm_handle_t *handle,
 uint8_t *cipher,
 uint8_t *plain,
 uint32_t cipher_data_len,
 uint8_t *aad,
 uint32_t aad_len
)
```

#### Parameters

|                 |              |                                          |
|-----------------|--------------|------------------------------------------|
| handle          | Input/output | AES-GCM handler (work area)              |
| cipher          | Input        | Ciphertext data area                     |
| plain           | Output       | Plaintext data area                      |
| cipher_data_len | Input        | Ciphertext data length (0 or more bytes) |
| aad             | Input        | AAD (aad_len bytes)                      |
| aad_len         | Input        | AAD length (0 or more bytes)             |

#### Return Values

|                             |                         |
|-----------------------------|-------------------------|
| TSIP_SUCCESS:               | Normal termination      |
| TSIP_ERR_PARAMETER:         | Invalid handle input    |
| TSIP_ERR_PROHIBIT_FUNCTION: | Invalid function called |

#### Description

The R\_TSIP\_AesXXXGcmDecryptUpdate() function decrypts the ciphertext specified by the second parameter, cipher, in GCM mode using the values specified for key\_index and ivec in R\_TSIP\_AesXXXGcmDecryptInit() and the value specified by the fifth parameter, aad. The function internally buffers the data input by the user until the input values of aad and cipher exceed 16 bytes. Once the input data from cipher reaches 16 bytes or more, the decrypted result is output to the area specified by the third parameter, plain. The lengths of the cipher and aad data to be input are specified by the fourth parameter, cipher\_data\_len, and the sixth parameter, aad\_len, respectively. For these, specify not the total byte count for the aad and cipher input data, but rather the data length to be input when the user calls this function. If the input values of cipher and aad are not divisible by 16 bytes, the function performs padding internally. Inside of this API, the state is transitioned from aad data input state to cipher data input state. Although the aad data and cipher data can be input simultaneously, the last data of aad data must be input when cipher data is input. Except in cases where the addresses are the same, specify areas for plain and cipher that do not overlap.

**Reentrancy.**

Not supported.

### 4.2.3.24 R\_TSIP\_AesXXXGcmDecryptFinal

#### Format

```
(1) #include "r_tsip_rx_if.h"
 e_tsip_err_t R_TSIP_Aes128GcmDecryptFinal(
 tsip_gcm_handle_t *handle,
 uint8_t *plain,
 uint32_t *plain_data_len,
 uint8_t *atag,
 uint32_t atag_len
)
(2) #include "r_tsip_rx_if.h"
 e_tsip_err_t R_TSIP_Aes256GcmDecryptFinal(
 tsip_gcm_handle_t *handle,
 uint8_t *plain,
 uint32_t *plain_data_len,
 uint8_t *atag,
 uint32_t atag_len
)
```

#### Parameters

|                |        |                                                               |
|----------------|--------|---------------------------------------------------------------|
| handle         | Input  | AES-GCM handler (work area)                                   |
| plain          | Output | Plaintext data area (data_len bytes)                          |
| plain_data_len | Output | Plaintext data length (0 or more bytes)                       |
| atag           | Input  | Authentication tag area (atag_len bytes)                      |
| atag_len       | Input  | Authentication tag length (4, 8, 12, 13, 14, 15, or 16 bytes) |

#### Return Values

|                             |                              |
|-----------------------------|------------------------------|
| TSIP_SUCCESS:               | Normal termination           |
| TSIP_ERR_FAIL:              | Occurrence of internal error |
| TSIP_ERR_AUTHENTICATION:    | Authentication error         |
| TSIP_ERR_PROHIBIT_FUNCTION: | Invalid function called      |
| TSIP_ERR_PARAMETER:         | Invalid input data           |

#### Description

The R\_TSIP\_AesXXXGcmDecryptFinal() function decrypts, in GCM mode, the fractional remainder of the ciphertext specified by R\_TSIP\_AesXXXGcmDecryptUpdate() that does not reach 16 bytes, and then terminates GCM decryption functionality. The decrypted data and authentication tag are output to the area specified by the second parameter, plain, and the area specified as the fourth parameter, atag, respectively. The total data length of the decrypted data is output to the third parameter, plain\_data\_len. If authentication fails, a value of TSIP\_ERR\_AUTHENTICATION is returned. For the fourth parameter, atag, input 16 bytes or less. If the data input is less than 16 bytes, it is padded with zeros by the function internally.

#### Reentrancy

Not supported.

### 4.2.3.25 R\_TSIP\_AesXXXCcmEncryptInit

#### Format

```
(1) #include "r_tsip_rx_if.h"
 e_tsip_err_t R_TSIP_Aes128CcmEncryptInit(
 tsip_ccm_handle_t *handle,
 tsip_aes_key_index_t *key_index,
 uint8_t *nonce,
 uint32_t nonce_len,
 uint8_t *adata,
 uint8_t a_len,
 uint32_t payload_len,
 uint32_t mac_len
)
(2) #include "r_tsip_rx_if.h"
 e_tsip_err_t R_TSIP_Aes256CcmEncryptInit(
 tsip_ccm_handle_t *handle,
 tsip_aes_key_index_t *key_index,
 uint8_t *nonce,
 uint32_t nonce_len,
 uint8_t *adata,
 uint8_t a_len,
 uint32_t payload_len,
 uint32_t mac_len
)
```

#### Parameters

| Parameter   | Direction | Description                                   |
|-------------|-----------|-----------------------------------------------|
| handle      | Output    | AES-CCM handler (work area)                   |
| key_index   | Input     | Wrapped key                                   |
| nonce       | Input     | Nonce                                         |
| nonce_len   | Input     | Nonce data length (7 to 13 bytes)             |
| adata       | Input     | AAD                                           |
| a_len       | Input     | AAD length (0 to 110 bytes)                   |
| payload_len | Input     | Payload length (any number of bytes)          |
| mac_len     | Input     | MAC length (4, 6, 8, 10, 12, 14, or 16 bytes) |

#### Return Values

|                             |                                                                                                                                       |
|-----------------------------|---------------------------------------------------------------------------------------------------------------------------------------|
| TSIP_SUCCESS:               | Normal termination                                                                                                                    |
| TSIP_ERR_FAIL:              | Occurrence of internal error                                                                                                          |
| TSIP_ERR_RESOURCE_CONFLICT: | Occurrence of resource conflict because a hardware resource needed by the processing routine was in use by another processing routine |
| TSIP_ERR_KEY_SET:           | Invalid wrapped key input                                                                                                             |

**Description**

R\_TSIP\_AesXXXCcmEncryptInit() function performs preparations for the execution of CCM calculation and writes the result to the first parameter, handle. The parameter handle is used subsequently as a parameter by the R\_TSIP\_AesXXXCcmEncryptUpdate() and R\_TSIP\_AesXXXCcmEncryptFinal() functions.

Refer to 3.7.1, Key Injection and Updating, for an explanation of how to generate key\_index.

**Reentrancy**

Not supported.



### 4.2.3.26 R\_TSIP\_AesXXXCcmEncryptUpdate

#### Format

```
(1) #include "r_tsip_rx_if.h"
 e_tsip_err_t R_TSIP_Aes128CcmEncryptUpdate(
 tsip_ccm_handle_t *handle,
 uint8_t *plain,
 uint8_t *cipher,
 uint32_t plain_length
)
(2) #include "r_tsip_rx_if.h"
 e_tsip_err_t R_TSIP_Aes256CcmEncryptUpdate(
 tsip_ccm_handle_t *handle,
 uint8_t *plain,
 uint8_t *cipher,
 uint32_t plain_length
)
```

#### Parameters

|              |              |                         |
|--------------|--------------|-------------------------|
| handle       | Input/output | AES handler (work area) |
| plain        | Input        | Plaintext data area     |
| cipher       | Output       | Ciphertext data area    |
| plain_length | Input        | Plaintext data length   |

#### Return Values

|                             |                         |
|-----------------------------|-------------------------|
| TSIP_SUCCESS:               | Normal termination      |
| TSIP_ERR_PARAMETER:         | Invalid handle input    |
| TSIP_ERR_PROHIBIT_FUNCTION: | Invalid function called |

#### Description

The R\_TSIP\_AesXXXCcmEncryptUpdate() function encrypts the plaintext specified in the second argument, plain, in CCM mode using the values specified by key\_index, nonce, and adata in R\_TSIP\_AesXXXCcmEncryptInit(). This function buffers internally the data input by the user until the input value of plain exceeds 16 bytes. Once the amount of plain input data is 16 bytes or greater, the encrypted result is output to cipher, which is specified in the third argument. Use payload\_len in R\_TSIP\_AesXXXCcmEncryptInit() to specify the total data length of plain that will be input. Use plain\_length in this function to specify the data length to be input when the user calls this function. If the input value of plain is less than 16 bytes, the function performs padding internally. Except in cases where the addresses are the same, specify areas for plain and cipher that do not overlap.

#### Reentrancy

Not supported.

### 4.2.3.27 R\_TSIP\_AesXXXCcmEncryptFinal

#### Format

```
(1) #include "r_tsip_rx_if.h"
 e_tsip_err_t R_TSIP_Aes128CcmEncryptFinal(
 tsip_ccm_handle_t *handle,
 uint8_t *cipher,
 uint32_t *cipher_length,
 uint8_t *mac,
 uint32_t mac_length
)
(2) #include "r_tsip_rx_if.h"
 e_tsip_err_t R_TSIP_Aes256CcmEncryptFinal(
 tsip_ccm_handle_t *handle,
 uint8_t *cipher,
 uint32_t *cipher_length,
 uint8_t *mac,
 uint32_t mac_length
)
```

#### Parameters

|               |        |                                                       |
|---------------|--------|-------------------------------------------------------|
| handle        | Input  | AES handler (work area)                               |
| cipher        | Output | Ciphertext data area (Nothing is ever written here.)  |
| cipher_length | Output | Ciphertext data length (The write value is always 0.) |
| mac           | Output | MAC area                                              |
| mac_length    | Input  | MAC length (4, 6, 8, 10, 12, 14, or 16 bytes)         |

#### Return Values

|                             |                              |
|-----------------------------|------------------------------|
| TSIP_SUCCESS:               | Normal termination           |
| TSIP_ERR_FAIL:              | Occurrence of internal error |
| TSIP_ERR_PARAMETER:         | Invalid handle input         |
| TSIP_ERR_PROHIBIT_FUNCTION: | Invalid function called      |

#### Description

If there is 16-byte fractional remainder data indicated by the total data length of the value of plain input to R\_TSIP\_AesXXXCcmEncryptUpdate(), the R\_TSIP\_AesXXXCcmEncryptFinal() function outputs the result of encrypting the fractional remainder data to the area specified by the second parameter, cipher. The MAC value is output to the fourth parameter, mac. Set the fifth parameter, mac\_length, to the same value as that specified for the parameter mac\_length in R\_TSIP\_AesXXXCcmEncryptInit().

#### Reentrancy

Not supported.

### 4.2.3.28 R\_TSIP\_AesXXXCcmDecryptInit

#### Format

```
(1) #include "r_tsip_rx_if.h"
 e_tsip_err_t R_TSIP_Aes128CcmDecryptInit(
 tsip_ccm_handle_t *handle,
 tsip_aes_key_index_t *key_index,
 uint8_t *nonce,
 uint32_t nonce_len,
 uint8_t *adata,
 uint8_t a_len,
 uint32_t payload_len,
 uint32_t mac_len
)
(2) #include "r_tsip_rx_if.h"
 e_tsip_err_t R_TSIP_Aes128CcmDecryptInit(
 tsip_ccm_handle_t *handle,
 tsip_aes_key_index_t *key_index,
 uint8_t *nonce,
 uint32_t nonce_len,
 uint8_t *adata,
 uint8_t a_len,
 uint32_t payload_len,
 uint32_t mac_len
)
```

#### Parameters

|             |       |                                               |
|-------------|-------|-----------------------------------------------|
| handle      | Input | AES-CCM handler (work area)                   |
| key_index   | Input | Wrapped key                                   |
| nonce       | Input | Nonce                                         |
| nonce_len   | Input | Nonce data length (7 to 13 bytes)             |
| adata       | Input | AAD                                           |
| a_len       | Input | AAD length (0 to 110 bytes)                   |
| payload_len | Input | Payload length (any number of bytes)          |
| mac_len     | Input | MAC length (4, 6, 8, 10, 12, 14, or 16 bytes) |

#### Return Values

|                             |                                                                                                                                       |
|-----------------------------|---------------------------------------------------------------------------------------------------------------------------------------|
| TSIP_SUCCESS:               | Normal termination                                                                                                                    |
| TSIP_ERR_FAIL:              | Occurrence of internal error                                                                                                          |
| TSIP_ERR_RESOURCE_CONFLICT: | Occurrence of resource conflict because a hardware resource needed by the processing routine was in use by another processing routine |
| TSIP_ERR_KEY_SET:           | Invalid wrapped key input                                                                                                             |

**Description**

R\_TSIP\_AesXXXCcmDecryptInit() function performs preparations for the execution of CCM calculation and writes the result to the first parameter, handle. The parameter handle is used subsequently as a parameter by the R\_TSIP\_AesXXXCcmDecryptUpdate() and R\_TSIP\_AesXXXCcmDecryptFinal() functions.

Refer to 3.7.1, Key Injection and Updating, for an explanation of how to generate key\_index.

**Reentrancy**

Not supported.

### 4.2.3.29 R\_TSIP\_AesXXXCcmDecryptUpdate

#### Format

```
(1) #include "r_tsip_rx_if.h"
 e_tsip_err_t R_TSIP_Aes128CcmDecryptUpdate(
 tsip_ccm_handle_t *handle,
 uint8_t *cipher,
 uint8_t *plain,
 uint32_t cipher_length
)
(2) #include "r_tsip_rx_if.h"
 e_tsip_err_t R_TSIP_Aes256CcmDecryptUpdate(
 tsip_ccm_handle_t *handle,
 uint8_t *cipher,
 uint8_t *plain,
 uint32_t cipher_length
)
```

#### Parameters

|               |              |                             |
|---------------|--------------|-----------------------------|
| handle        | Input/output | AES-CCM handler (work area) |
| cipher        | Input        | Ciphertext data area        |
| plain         | Output       | Plaintext data area         |
| cipher_length | Input        | Ciphertext data length      |

#### Return Values

|                             |                         |
|-----------------------------|-------------------------|
| TSIP_SUCCESS:               | Normal termination      |
| TSIP_ERR_PARAMETER:         | Invalid handle input    |
| TSIP_ERR_PROHIBIT_FUNCTION: | Invalid function called |

#### Description

The R\_TSIP\_AesXXXCcmDecryptUpdate() function decrypts the ciphertext specified by the second parameter, cipher, in CCM mode using the values specified for key\_index, nonce, and adata in R\_TSIP\_AesXXXCcmDecryptInit(). The function internally buffers the data input by the user until the input value of cipher exceeds 16 bytes. Once the input data from cypher reaches 16 bytes or more, the decrypted result is output to the area specified by the third parameter, plain. Specify the total data length of the cipher data to be input in the payload\_len parameter of R\_TSIP\_AesXXXCcmDecryptInit(). For the cipher\_length parameter of this function, specify the data length to be input by the user when the function is called. If the input value of cipher is not divisible by 16 bytes, the function performs padding internally. Except in cases where the addresses are the same, specify areas for plain and cipher that do not overlap.

#### Reentrancy

Not supported.

### 4.2.3.30 R\_TSIP\_AesXXXCcmDecryptFinal

#### Format

- ```
(1) #include "r_tsip_rx_if.h"
    e_tsip_err_t R_TSIP_Aes128CcmDecryptFinal(
        tsip_ccm_handle_t *handle,
        uint8_t *plain,
        uint32_t *plain_length,
        uint8_t *mac,
        uint32_t mac_length
    )

(2) #include "r_tsip_rx_if.h"
    e_tsip_err_t R_TSIP_Aes256CcmDecryptFinal(
        tsip_ccm_handle_t *handle,
        uint8_t *plain,
        uint32_t *plain_length,
        uint8_t *mac,
        uint32_t mac_length
    )
```

Parameters

handle	Input	AES-GCM handler (work area)
plain	Output	Plaintext data area
plain_length	Output	Plaintext data length
mac	Input	MAC area
mac_length	Input	MAC length (4, 6, 8, 10, 12, 14, or 16 bytes)

Return Values

TSIP_SUCCESS:	Normal termination
TSIP_ERR_FAIL:	Occurrence of internal error
TSIP_ERR_PARAMETER:	Invalid handle input
TSIP_ERR_PROHIBIT_FUNCTION:	Invalid function called

Description

If the data length of cipher input in R_TSIP_AesXXXCcmDecryptUpdate() results in a fractional remainder after 16 bytes, the R_TSIP_AesXXXCcmDecryptFinal() function outputs the leftover decrypted data to the second parameter, cipher. In addition, the function verifies the fourth parameter, mac. Set the fifth parameter, mac_length, to the same value as that specified for the parameter mac_length in R_TSIP_AesXXXCcmDecryptInit().

Reentrancy

Not supported.

4.2.3.31 R_TSIP_AesXXXCmacGenerateInit

Format

- ```
(1) #include "r_tsip_rx_if.h"
 e_tsip_err_t R_TSIP_Aes128CmacGenerateInit(
 tsip_cmac_handle_t *handle,
 tsip_aes_key_index_t *key_index
)
(2) #include "r_tsip_rx_if.h"
 e_tsip_err_t R_TSIP_Aes256CmacGenerateInit(
 tsip_cmac_handle_t *handle,
 tsip_aes_key_index_t *key_index
)
```

#### Parameters

|           |        |                              |
|-----------|--------|------------------------------|
| handle    | Output | AES-CMAC handler (work area) |
| key_index | Input  | Wrapped key                  |

#### Return Values

|                             |                                                                                                                                       |
|-----------------------------|---------------------------------------------------------------------------------------------------------------------------------------|
| TSIP_SUCCESS:               | Normal termination                                                                                                                    |
| TSIP_ERR_FAIL:              | Occurrence of internal error                                                                                                          |
| TSIP_ERR_RESOURCE_CONFLICT: | Occurrence of resource conflict because a hardware resource needed by the processing routine was in use by another processing routine |
| TSIP_ERR_KEY_SET:           | Invalid wrapped key input                                                                                                             |

#### Description

The R\_TSIP\_AesXXXCmacGenerateInit() function performs preparations for the execution of CMAC calculation, and writes the result to the first parameter, handle. The parameter handle is used subsequently as a parameter by the R\_TSIP\_AesXXXCmacGenerateUpdate() and R\_TSIP\_AesXXXCmacGenerateFinal() functions.

Refer to 3.7.1, Key Injection and Updating, for an explanation of how to generate key\_index.

#### Reentrancy

Not supported.

### 4.2.3.32 R\_TSIP\_AesXXXCmacGenerateUpdate

#### Format

```
(1) #include "r_tsip_rx_if.h"
 e_tsip_err_t R_TSIP_Aes128CmacGenerateUpdate(
 tsip_cmac_handle_t *handle,
 uint8_t *message,
 uint32_t message_length
)
(2) #include "r_tsip_rx_if.h"
 e_tsip_err_t R_TSIP_Aes256CmacGenerateUpdate(
 tsip_cmac_handle_t *handle,
 uint8_t *message,
 uint32_t message_length
)
```

#### Parameters

|                |              |                                          |
|----------------|--------------|------------------------------------------|
| handle         | Input/output | AES-CMAC handler (work area)             |
| message        | Input        | Message data area (message_length bytes) |
| message_length | Input        | Message data length (0 or more bytes)    |

#### Return Values

|                             |                         |
|-----------------------------|-------------------------|
| TSIP_SUCCESS:               | Normal termination      |
| TSIP_ERR_PARAMETER:         | Invalid handle input    |
| TSIP_ERR_PROHIBIT_FUNCTION: | Invalid function called |

#### Description

The R\_TSIP\_AesXXXCmacGenerateUpdate() function generates a MAC value from the message specified as the second parameter, message, using the value specified for key\_index in R\_TSIP\_AesXXXCmacGenerateInit(). The function internally buffers the data input by the user until the input value of message exceeds 16 bytes. The length of the message data to be input is specified by the third parameter, message\_len. For this, specify not the total byte count for the message input data, but rather the message data length to be input when the user calls this function. If the input value, message, is not a multiple of 16 bytes, it is padded with zeros by the function internally.

#### Reentrancy

Not supported.



---

### 4.2.3.33 R\_TSIP\_AesXXXCmacGenerateFinal

---

**Format**

- ```
(1) #include "r_tsip_rx_if.h"
    e_tsip_err_t R_TSIP_Aes128CmacGenerateFinal(
        tsip_cmac_handle_t *handle,
        uint8_t *mac
    )
(2) #include "r_tsip_rx_if.h"
    e_tsip_err_t R_TSIP_Aes256CmacGenerateFinal(
        tsip_cmac_handle_t *handle,
        uint8_t *mac
    )
```

Parameters

handle	Input	AES-CMAC handler (work area)
mac	Output	MAC data area (16 bytes)

Return Values

TSIP_SUCCESS:	Normal termination
TSIP_ERR_FAIL:	Occurrence of internal error
TSIP_ERR_PARAMETER:	Invalid handle input
TSIP_ERR_PROHIBIT_FUNCTION:	Invalid function called

Description

The R_TSIP_AesXXXCmacGenerateFinal() function outputs the MAC value to the MAC data area specified by the second parameter, mac, and then stops CMAC operation.

Reentrancy

Not supported.

4.2.3.34 R_TSIP_AesXXXCmacVerifyInit

Format

```
(1) #include "r_tsip_rx_if.h"
    e_tsip_err_t R_TSIP_Aes128CmacVerifyInit(
        tsip_cmac_handle_t *handle,
        tsip_aes_key_index_t *key_index
    )
(2) #include "r_tsip_rx_if.h"
    e_tsip_err_t R_TSIP_Aes256CmacVerifyInit(
        tsip_cmac_handle_t *handle,
        tsip_aes_key_index_t *key_index
    )
```

Parameters

handle	Output	AES-CMAC handler (work area)
key_index	Input	Wrapped key

Return Values

TSIP_SUCCESS:	Normal termination
TSIP_ERR_FAIL:	Occurrence of internal error
TSIP_ERR_RESOURCE_CONFLICT:	Occurrence of resource conflict because a hardware resource needed by the processing routine was in use by another processing routine
TSIP_ERR_KEY_SET:	Invalid wrapped key

Description

The R_TSIP_AesXXXCmacVerifyInit() function performs preparations for the execution of CMAC calculation, and writes the result to the first parameter, handle. The parameter handle is used subsequently as a parameter by the R_TSIP_AesXXXCmacVerifyUpdate() and R_TSIP_AesXXXCmacVerifyFinal() functions.

Refer to 3.7.1, Key Injection and Updating, for an explanation of how to generate key_index.

Reentrancy

Not supported.

4.2.3.35 R_TSIP_AesXXXCmacVerifyUpdate

Format

```
(1) #include "r_tsip_rx_if.h"
    e_tsip_err_t R_TSIP_Aes128CmacVerifyUpdate(
        tsip_cmac_handle_t *handle,
        uint8_t *message,
        uint32_t message_length
    )
(2) #include "r_tsip_rx_if.h"
    e_tsip_err_t R_TSIP_Aes256CmacVerifyUpdate(
        tsip_cmac_handle_t *handle,
        uint8_t *message,
        uint32_t message_length
    )
```

Parameters

handle	Input/output	AES-CMAC handler (work area)
message	Input	Message data area (message_length bytes)
message_length	Input	Message data length (0 or more bytes)

Return Values

TSIP_SUCCESS:	Normal termination
TSIP_ERR_PARAMETER:	Invalid handle input
TSIP_ERR_PROHIBIT_FUNCTION:	Invalid function called

Description

The R_TSIP_AesXXXCmacVerifyUpdate() function generates a MAC value from the message specified as the second parameter, message, using the value specified for key_index in R_TSIP_AesXXXCmacVerifyInit(). The function internally buffers the data input by the user until the input value of message exceeds 16 bytes. The length of the message data to be input is specified by the third parameter, message_len. For this, specify not the total byte count for the message input data, but rather the message data length to be input when the user calls this function. If the input value, message, is not a multiple of 16 bytes, it is padded with zeros by the function internally.

Reentrancy

Not supported.

4.2.3.36 R_TSIP_AesXXXCmacVerifyFinal

Format

```
(1) #include "r_tsip_rx_if.h"
    e_tsip_err_t R_TSIP_Aes128CmacVerifyFinal(
        tsip_cmac_handle_t *handle,
        uint8_t *mac,
        uint32_t mac_length
    )
(2) #include "r_tsip_rx_if.h"
    e_tsip_err_t R_TSIP_Aes256CmacVerifyFinal(
        tsip_cmac_handle_t *handle,
        uint8_t *mac,
        uint32_t mac_length
    )
```

Parameters

handle	Input	AES-CMAC handler (work area)
mac	Input	MAC data area (16 bytes)
mac_length	Input	MAC data length (2 to 16 bytes)

Return Values

TSIP_SUCCESS:	Normal termination
TSIP_ERR_FAIL:	Occurrence of internal error
TSIP_ERR_AUTHENTICATION:	Authentication failure
TSIP_ERR_PARAMETER:	Invalid handle input
TSIP_ERR_PROHIBIT_FUNCTION:	Invalid function called

Description

The R_TSIP_AesXXXCmacVerifyFinal() function inputs the MAC value to the data area specified by the second parameter, mac, and verifies the MAC value. If authentication fails, a value of TSIP_ERR_AUTHENTICATION is returned. If the MAC value is less than 16 bytes, it is padded with zeros by the function internally.

Reentrancy

Not supported.

4.2.4 DES

4.2.4.1 R_TSIP_GenerateTdesKeyIndex

Format

```
#include "r_tsip_rx_if.h"
e_tsip_err_t R_TSIP_GenerateTdesKeyIndex(
    uint8_t *encrypted_provisioning_key,
    uint8_t *iv,
    uint8_t *encrypted_key,
    tsip_tdes_key_index_t *key_index
)
```

Parameters

encrypted_provisioning_key	Input	W-UFPK
iv	Input	Initialization vector when generating encrypted_key
encrypted_key	Input	Encrypted key encrypted using UFPK
key_index	Output	Wrapped key

Return Values

TSIP_SUCCESS:	Normal termination
TSIP_ERR_RESOURCE_CONFLICT:	Occurrence of resource conflict because a hardware resource needed by the processing routine was in use by another processing routine
TSIP_ERR_FAIL:	Occurrence of internal error

Description

This API outputs an DES wrapped key.

For encrypted_key, input the data indicated in 7.3.2, DES, encrypted using the UFPK. Refer to 3.7.1, Key Injection and Updating, for an explanation of encrypted_key, iv, and encrypted_provisioning_key and how to use key_index.

Reentrancy

Not supported.

4.2.4.2 R_TSIP_UpdateTdesKeyIndex

Format

```
#include "r_tsip_rx_if.h"
e_tsip_err_t R_TSIP_UpdateTdesKeyIndex(
    uint8_t *iv,
    uint8_t *encrypted_key,
    tsip_tdes_key_index_t *key_index
)
```

Parameters

iv	Input	Initialization vector when generating encrypted_key
encrypted_key	Input	Encrypted key encrypted using KUK
key_index	Output	Wrapped key

Return Values

TSIP_SUCCESS:	Normal termination
TSIP_ERR_RESOURCE_CONFLICT:	Occurrence of resource conflict because a hardware resource needed by the processing routine was in use by another processing routine
TSIP_ERR_FAIL:	Occurrence of internal error

Description

This API outputs a TDES wrapped key.

For encrypted_key, input the data indicated in 7.3.2, DES, encrypted using the KUK. Refer to 3.7.1, Key Injection and Updating, for an explanation of iv and encrypted_key and how to use key_index.

Reentrancy

Not supported.

4.2.4.3 R_TSIP_GenerateTdesRandomKeyIndex

Format

```
#include "r_tsip_rx_if.h"
e_tsip_err_t R_TSIP_GenerateTdesRandomKeyIndex(
    tsip_tdes_key_index_t *key_index
)
```

Parameters

key_index	Output	Wrapped key
-----------	--------	-------------

Return Values

TSIP_SUCCESS:	Normal termination
TSIP_ERR_RESOURCE_CONFLICT:	Occurrence of resource conflict because a hardware resource needed by the processing routine was in use by another processing routine

Description

This API outputs a TDES wrapped key.

This API generates a user key from a random number within the TSIP. Therefore, no user key needs to be input. Encrypting data using the wrapped key output by this API makes it possible to prevent dead copying of data.

Refer to 3.7.1, Key Injection and Updating, for an explanation of how to use key_index.

Reentrancy

Not supported.

4.2.4.4 R_TSIP_TdesEcbEncryptInit

Format

```
#include "r_tsip_rx_if.h"
e_tsip_err_t R_TSIP_TdesEcbEncryptInit(
    tsip_tdes_handle_t *handle,
    tsip_tdes_key_index_t *key_index
)
```

Parameters

handle	Output	TDES handler (work area)
key_index	Input	Wrapped key

Return Values

TSIP_SUCCESS:	Normal termination
TSIP_ERR_RESOURCE_CONFLICT:	Occurrence of resource conflict because a hardware resource needed by the processing routine was in use by another processing routine
TSIP_ERR_KEY_SET:	Invalid wrapped key

Description

The R_TSIP_TdesEcbEncryptInit() function performs preparations for the execution of DES calculation and writes the result to the first parameter, handle. The parameter handle is used subsequently as a parameter by the R_TSIP_TdesEcbEncryptUpdate() and R_TSIP_TdesEcbEncryptFinal() functions.

Refer to 3.7.1, Key Injection and Updating, for an explanation of how to generate key_index.

Reentrancy

Not supported.

4.2.4.5 R_TSIP_TdesEcbEncryptUpdate

Format

```
#include "r_tsip_rx_if.h"
e_tsip_err_t R_TSIP_TdesEcbEncryptUpdate(
    tsip_tdes_handle_t *handle,
    uint8_t *plain,
    uint8_t *cipher,
    uint32_t plain_length
)
```

Parameters

handle	Input/output	TDES handler (work area)
plain	Input	Plaintext data area
cipher	Output	Ciphertext data area
plain_length	Input	Byte length of plaintext data (Must be a multiple of 8.)

Return Values

TSIP_SUCCESS:	Normal termination
TSIP_ERR_PARAMETER:	Invalid handle input
TSIP_ERR_PROHIBIT_FUNCTION:	Invalid function called

Description

Using the handle specified by the first parameter, handle, the R_TSIP_TdesEcbEncryptUpdate() function encrypts the second parameter, plain, using the key index specified by the R_TSIP_TdesEcbEncryptInit() function, and writes the encrypted result to the third parameter, cipher. After plaintext input completes, call R_TSIP_TdesEcbEncryptFinal().

Except in cases where the addresses are the same, specify areas for plain and cipher that do not overlap.

Reentrancy

Not supported.

4.2.4.6 R_TSIP_TdesEcbEncryptFinal

Format

```
#include "r_tsip_rx_if.h"
e_tsip_err_t R_TSIP_TdesEcbEncryptFinal(
    tsip_tdes_handle_t *handle,
    uint8_t *cipher,
    uint32_t *cipher_length
)
```

Parameters

handle	Input	TDES handler (work area)
cipher	Output	Ciphertext data area (Nothing is ever written here.)
cipher_length	Output	Ciphertext data length (The write value is always 0.)

Return Values

TSIP_SUCCESS:	Normal termination
TSIP_ERR_FAIL:	Occurrence of internal error
TSIP_ERR_PARAMETER:	Invalid handle input
TSIP_ERR_PROHIBIT_FUNCTION:	Invalid function called

Description

Using the handle specified by the first parameter, handle, the R_TSIP_TdesEcbEncryptFinal() function writes the calculation result to the second parameter, cipher, and writes the length of the calculation result to the third parameter, cipher_length. The original intent was for any portion of the encrypted result that was not a multiple of 8 bytes to be written to the second parameter. However, due to the restriction that only multiples of 8 can be input to the R_TSIP_TdesEcbEncryptUpdate() function, nothing is ever written to cipher, and 0 is always written to cipher_length. The parameters cipher and cipher_length are provided for future compatibility in anticipation of this restriction eventually being removed.

Reentrancy

Not supported.

4.2.4.7 R_TSIP_TdesEcbDecryptInit

Format

```
#include "r_tsip_rx_if.h"
e_tsip_err_t R_TSIP_TdesEcbDecryptInit(
    tsip_tdes_handle_t *handle,
    tsip_tdes_key_index_t *key_index
)
```

Parameters

handle	Output	TDES handler (work area)
key_index	Input	Wrapped key

Return Values

TSIP_SUCCESS:	Normal termination
TSIP_ERR_KEY_SET:	Invalid wrapped key
TSIP_ERR_RESOURCE_CONFLICT:	Occurrence of resource conflict because a hardware resource needed by the processing routine was in use by another processing routine

Description

The R_TSIP_TdesEcbDecryptInit() function performs preparations for the execution of DES calculation and writes the result to the first parameter, handle. The parameter handle is used subsequently as a parameter by the R_TSIP_TdesEcbDecryptUpdate() and R_TSIP_TdesEcbDecryptFinal() functions.

Refer to 3.7.1, Key Injection and Updating, for an explanation of how to generate key_index.

Reentrancy

Not supported.

4.2.4.8 R_TSIP_TdesEcbDecryptUpdate

Format

```
#include "r_tsip_rx_if.h"
e_tsip_err_t R_TSIP_TdesEcbDecryptUpdate(
    tsip_tdes_handle_t *handle,
    uint8_t *cipher,
    uint8_t *plain,
    uint32_t cipher_length
)
```

Parameters

handle	Input/output	TDES handler (work area)
cipher	Input	Ciphertext data area
plain	Output	Plaintext data area
cipher_length	Input	Byte length of ciphertext data (Must be a multiple of 8.)

Return Values

TSIP_SUCCESS:	Normal termination
TSIP_ERR_PARAMETER:	Invalid handle input
TSIP_ERR_PROHIBIT_FUNCTION:	Invalid function called

Description

Using the handle specified by the first parameter, handle, the R_TSIP_TdesEcbDecryptUpdate() function decrypts the second parameter, cipher, using the key index specified by the R_TSIP_TdesEcbDecryptInit() function, and writes the decrypted result to the third parameter, plain. After ciphertext input completes, call R_TSIP_TdesEcbDecryptFinal().

Except in cases where the addresses are the same, specify areas for plain and cipher that do not overlap.

Reentrancy

Not supported.

4.2.4.9 R_TSIP_TdesEcbDecryptFinal

Format

```
#include "r_tsip_rx_if.h"
e_tsip_err_t R_TSIP_TdesEcbDecryptFinal(
    tsip_tdes_handle_t *handle,
    uint8_t *plain,
    uint32_t *plain_length
)
```

Parameters

handle	Input	TDES handler (work area)
plain	Output	Plaintext data area (Nothing is ever written here.)
plain_length	Output	Plaintext data length (The write value is always 0.)

Return Values

TSIP_SUCCESS:	Normal termination
TSIP_ERR_FAIL:	Occurrence of internal error
TSIP_ERR_PARAMETER:	Invalid handle input
TSIP_ERR_PROHIBIT_FUNCTION:	Invalid function called

Description

Using the handle specified by the first parameter, handle, the R_TSIP_TdesEcbDecryptFinal() function writes the calculation result to the second parameter, plain, and writes the length of the calculation result to the third parameter, plain_length. The original intent was for any portion of the decrypted result that was not a multiple of 8 bytes to be written to the second parameter. However, due to the restriction that only multiples of 8 can be input to the R_TSIP_TdesEcbDecryptUpdate() function, nothing is ever written to plain, and 0 is always written to plain_length. The parameters plain and plain_length are provided for future compatibility in anticipation of this restriction eventually being removed.

Reentrancy

Not supported.

4.2.4.10 R_TSIP_TdesCbcEncryptInit

Format

```
#include "r_tsip_rx_if.h"
e_tsip_err_t R_TSIP_TdesCbcEncryptInit(
    tsip_tdes_handle_t *handle,
    tsip_tdes_key_index_t *key_index,
    uint8_t *ivec
)
```

Parameters

handle	Output	TDES handler (work area)
key_index	Input	Wrapped key
ivec	Input	Initialization vector (8 bytes)

Return Values

TSIP_SUCCESS:	Normal termination
TSIP_ERR_KEY_SET:	Invalid wrapped key input
TSIP_ERR_RESOURCE_CONFLICT:	Occurrence of resource conflict because a hardware resource needed by the processing routine was in use by another processing routine

Description

The R_TSIP_TdesCbcEncryptInit() function performs preparations for the execution of DES calculation, and writes the result to the first parameter, handle. The parameter handle is used subsequently as a parameter by the R_TSIP_TdesCbcEncryptUpdate() and R_TSIP_TdesCbcEncryptFinal() functions.

Refer to 3.7.1, Key Injection and Updating, for an explanation of how to generate key_index.

Reentrancy

Not supported.

4.2.4.11 R_TSIP_TdesCbcEncryptUpdate

Format

```
#include "r_tsip_rx_if.h"
e_tsip_err_t R_TSIP_TdesCbcEncryptUpdate(
    tsip_tdes_handle_t *handle,
    uint8_t *plain,
    uint8_t *cipher,
    uint32_t plain_length
)
```

Parameters

handle	Input/output	TDES handler (work area)
plain	Input	Plaintext data area
cipher	Output	Ciphertext data area
plain_length	Input	Byte length of plaintext data (Must be a multiple of 8.)

Return Values

TSIP_SUCCESS:	Normal termination
TSIP_ERR_PARAMETER:	Invalid handle input
TSIP_ERR_PROHIBIT_FUNCTION:	Invalid function called

Description

Using the handle specified by the first parameter, handle, the R_TSIP_TdesCbcEncryptUpdate() function encrypts the second parameter, plain, using the key index specified by the R_TSIP_TdesCbcEncryptInit() function, and writes the encrypted result to the third parameter, cipher. After plaintext input completes, call R_TSIP_TdesCbcEncryptFinal().

Except in cases where the addresses are the same, specify areas for plain and cipher that do not overlap.

Reentrancy

Not supported.

4.2.4.12 R_TSIP_TdesCbcEncryptFinal

Format

```
#include "r_tsip_rx_if.h"
e_tsip_err_t R_TSIP_TdesCbcEncryptFinal(
    tsip_tdes_handle_t *handle,
    uint8_t *cipher,
    uint32_t *cipher_length
)
```

Parameters

handle	Input	TDES handler (work area)
cipher	Output	Ciphertext data area (Nothing is ever written here.)
cipher_length	Output	Ciphertext data length (The write value is always 0.)

Return Values

TSIP_SUCCESS:	Normal termination
TSIP_ERR_FAIL:	Occurrence of internal error
TSIP_ERR_PARAMETER:	Invalid handle input
TSIP_ERR_PROHIBIT_FUNCTION:	Invalid function called

Description

Using the handle specified by the first parameter, handle, the R_TSIP_TdesCbcEncryptFinal() function writes the calculation result to the second parameter, cipher, and writes the length of the calculation result to the third parameter, cipher_length. The original intent was for any portion of the encrypted result that was not a multiple of 8 bytes to be written to the second parameter. However, due to the restriction that only multiples of 8 can be input to the R_TSIP_TdesCbcEncryptUpdate() function, nothing is ever written to cipher, and 0 is always written to cipher_length. The parameters cipher and cipher_length are provided for future compatibility in anticipation of this restriction eventually being removed.

Reentrancy

Not supported.

4.2.4.13 R_TSIP_TdesCbcDecryptInit

Format

```
#include "r_tsip_rx_if.h"
e_tsip_err_t R_TSIP_TdesCbcDecryptInit(
    tsip_tdes_handle_t *handle,
    tsip_tdes_key_index_t *key_index,
    uint8_t *ivec
)
```

Parameters

handle	Output	TDES handler (work area)
key_index	Input	Wrapped key
ivec	Input	Initialization vector (8 bytes)

Return Values

TSIP_SUCCESS:	Normal termination
TSIP_ERR_KEY_SET:	Invalid wrapped key input
TSIP_ERR_RESOURCE_CONFLICT:	Occurrence of resource conflict because a hardware resource needed by the processing routine was in use by another processing routine

Description

The R_TSIP_TdesCbcDecryptInit() function performs preparations for the execution of DES calculation, and writes the result to the first parameter, handle. The parameter handle is used subsequently as a parameter by the R_TSIP_TdesCbcDecryptUpdate() and R_TSIP_TdesCbcDecryptFinal() functions.

Refer to 3.7.1, Key Injection and Updating, for an explanation of how to generate key_index.

Reentrancy

Not supported.

4.2.4.14 R_TSIP_TdesCbcDecryptUpdate

Format

```
#include "r_tsip_rx_if.h"
e_tsip_err_t R_TSIP_TdesCbcDecryptUpdate(
    tsip_tdes_handle_t *handle,
    uint8_t *cipher,
    uint8_t *plain,
    uint32_t cipher_length
)
```

Parameters

handle	Input/output	TDES handler (work area)
cipher	Input	Ciphertext data area
plain	Output	Plaintext data area
cipher_length	Input	Byte length of ciphertext data (Must be a multiple of 8.)

Return Values

TSIP_SUCCESS:	Normal termination
TSIP_ERR_PARAMETER:	Invalid handle input
TSIP_ERR_PROHIBIT_FUNCTION:	Invalid function called

Description

Using the handle specified by the first parameter, handle, the R_TSIP_TdesCbcDecryptUpdate() function decrypts the second parameter, cipher, utilizing the key index specified by the R_TSIP_TdesCbcDecryptInit() function, and writes the decrypted result to the third parameter, plain. After ciphertext input completes, call R_TSIP_TdesCbcDecryptFinal().

Except in cases where the addresses are the same, specify areas for plain and cipher that do not overlap.

Reentrancy

Not supported.

4.2.4.15 R_TSIP_TdesCbcDecryptFinal

Format

```
#include "r_tsip_rx_if.h"
e_tsip_err_t R_TSIP_TdesCbcDecryptFinal(
    tsip_tdes_handle_t *handle,
    uint8_t *plain,
    uint32_t *plain_length
)
```

Parameters

handle	Input	TDES handler (work area)
plain	Output	Plaintext data area (Nothing is ever written here.)
plain_length	Output	Plaintext data length (The write value is always 0.)

Return Values

TSIP_SUCCESS:	Normal termination
TSIP_ERR_FAIL:	Occurrence of internal error
TSIP_ERR_PARAMETER:	Invalid handle input
TSIP_ERR_PROHIBIT_FUNCTION:	Invalid function called

Description

Using the handle specified by the first parameter, handle, the R_TSIP_TdesCbcDecryptFinal() function writes the calculation result to the second parameter, plain, and writes the length of the calculation result to the third parameter, plain_length. The original intent was for any portion of the decrypted result that was not a multiple of 8 bytes to be written to the second parameter. However, due to the restriction that only multiples of 8 can be input to the R_TSIP_TdesCbcDecryptUpdate() function, nothing is ever written to plain, and 0 is always written to plain_length. The parameters plain and plain_length are provided for future compatibility in anticipation of this restriction eventually being removed.

Reentrancy

Not supported.

4.2.5 ARC4

4.2.5.1 R_TSIP_GenerateArc4KeyIndex

Format

```
#include "r_tsip_rx_if.h"
e_tsip_err_t R_TSIP_GenerateArc4KeyIndex(
    uint8_t *encrypted_provisioning_key,
    uint8_t *iv,
    uint8_t *encrypted_key,
    tsip_arc4_key_index_t *key_index
)
```

Parameters

encrypted_provisioning_key	Input	W-UFPK
iv	Input	Initialization vector when generating encrypted_key
encrypted_key	Input	Encrypted key encrypted using UFPK
key_index	Output	Key index

Return Values

TSIP_SUCCESS:	Normal termination
TSIP_ERR_FAIL:	Occurrence of internal error
TSIP_ERR_RESOURCE_CONFLICT:	Occurrence of resource conflict because a hardware resource needed by the processing routine was in use by another processing routine

Description

This API outputs an ARC4 wrapped key.

Refer to 7.3.3, ARC4, for the format of the data encrypted using the UFPK input as encrypted_key.

Refer to 3.7.1, Key Injection and Updating, for an explanation of encrypted_key, iv, and encrypted_provisioning_key and how to use key_index.

Reentrancy

Not supported.

4.2.5.2 R_TSIP_UpdateArc4KeyIndex

Format

```
#include "r_tsip_rx_if.h"
e_tsip_err_t R_TSIP_UpdateArc4KeyIndex(
    uint8_t *iv,
    uint8_t *encrypted_key,
    tsip_arc4_key_index_t *key_index
)
```

Parameters

iv	Input	Initialization vector when generating encrypted_key
encrypted_key	Input	Encrypted key encrypted using KUK
key_index	Output	Key index

Return Values

TSIP_SUCCESS:	Normal termination
TSIP_ERR_FAIL:	Occurrence of internal error
TSIP_ERR_RESOURCE_CONFLICT:	Occurrence of resource conflict because a hardware resource needed by the processing routine was in use by another processing routine

Description

This API updates an ARC4 wrapped key.

Refer to 7.3.3, ARC4, for the format of the data encrypted using the KUK input as encrypted_key.

Refer to 3.7.1, Key Injection and Updating, for an explanation of iv and encrypted_key and how to use key_index.

Reentrancy

Not supported.

4.2.5.3 R_TSIP_GenerateArc4RandomKeyIndex

Format

```
#include "r_tsip_rx_if.h"
e_tsip_err_t R_TSIP_GenerateArc4RandomKeyIndex(
    tsip_arc4_key_index_t *key_index
)
```

Parameters

key_index	Output	Wrapped key
-----------	--------	-------------

Return Values

TSIP_SUCCESS:	Normal termination
TSIP_ERR_RESOURCE_CONFLICT:	Occurrence of resource conflict because a hardware resource needed by the processing routine was in use by another processing routine

Description

This API outputs an ARC4 wrapped key.

This API generates a user key from a random number within the TSIP. Therefore, no user key needs to be input. Encrypting data using the wrapped key output by this API makes it possible to prevent dead copying of data.

Refer to 3.7.1, Key Injection and Updating, for an explanation of how to use key_index.

Reentrancy

Not supported.

4.2.5.4 R_TSIP_Arc4EncryptInit

Format

```
#include "r_tsip_rx_if.h"
e_tsip_err_t R_TSIP_Arc4EncryptInit(
    tsip_arc4_handle_t *handle,
    tsip_arc4_key_index_t *key_index
)
```

Parameters

handle	Output	ARC4 handler (work area)
key_index	Input	Wrapped key

Return Values

TSIP_SUCCESS:	Normal termination
TSIP_ERR_FAIL:	Occurrence of internal error
TSIP_ERR_RESOURCE_CONFLICT:	Occurrence of resource conflict because a hardware resource needed by the processing routine was in use by another processing routine
TSIP_ERR_KEY_SET:	Invalid wrapped key input

Description

The R_TSIP_Arc4EncryptInit() function performs preparations for the execution of ARC4 calculation, and writes the result to the first parameter, handle. The parameter handle is used subsequently as a parameter by the R_TSIP_Arc4EncryptUpdate() and R_TSIP_Arc4EncryptFinal() functions.

Refer to 3.7.1, Key Injection and Updating, for an explanation of how to generate key_index.

Reentrancy

Not supported.

4.2.5.5 R_TSIP_Arc4EncryptUpdate

Format

```
#include "r_tsip_rx_if.h"
e_tsip_err_t R_TSIP_Arc4EncryptUpdate(
    tsip_arc4_handle_t *handle,
    uint8_t *plain,
    uint8_t *cipher,
    uint32_t plain_length
)
```

Parameters

handle	Input/output	ARC4 handler (work area)
plain	Input	Plaintext data area
cipher	Output	Ciphertext data area
plain_length	Input	Byte length of plaintext data (Must be a multiple of 16.)

Return Values

TSIP_SUCCESS:	Normal termination
TSIP_ERR_PARAMETER:	Invalid handle input
TSIP_ERR_PROHIBIT_FUNCTION:	Invalid function called

Description

The R_TSIP_Arc4EncryptUpdate() function encrypts the second parameter, plain, using the key index specified by the R_TSIP_Arc4EncryptInit() function, and writes the encrypted result to the third parameter, cipher. After plaintext input completes, call R_TSIP_Arc4EncryptFinal().

Except in cases where the addresses are the same, specify areas for plain and cipher that do not overlap.

Reentrancy

Not supported.

4.2.5.6 R_TSIP_Arc4EncryptFinal

Format

```
#include "r_tsip_rx_if.h"
e_tsip_err_t R_TSIP_Arc4EncryptFinal(
    tsip_arc4_handle_t *handle,
    uint8_t *cipher,
    uint32_t *cipher_length
)
```

Parameters

handle	Input	ARC4 handler (work area)
cipher	Output	Ciphertext data area (Nothing is ever written here.)
cipher_length	Output	Ciphertext data length (The write value is always 0.)

Return Values

TSIP_SUCCESS:	Normal termination
TSIP_ERR_FAIL:	Occurrence of internal error
TSIP_ERR_PARAMETER:	Invalid handle input
TSIP_ERR_PROHIBIT_FUNCTION:	Invalid function called

Description

Using the handle specified by the first parameter, handle, the R_TSIP_Arc4EncryptFinal() function writes the calculation result to the second parameter, cipher, and writes the length of the calculation result to the third parameter, cipher_length. The original intent was for any portion of the encrypted result that was not a multiple of 16 bytes to be written to the second parameter. However, due to the restriction that only multiples of 16 can be input to the R_TSIP_Arc4EncryptUpdate() function, nothing is ever written to cipher, and 0 is always written to cipher_length. The parameters cipher and cipher_length are provided for future compatibility in anticipation of this restriction eventually being removed.

Reentrancy

Not supported.

4.2.5.7 R_TSIP_Arc4DecryptInit

Format

```
#include "r_tsip_rx_if.h"
e_tsip_err_t R_TSIP_Arc4DecryptInit(
    tsip_arc4_handle_t *handle,
    tsip_arc4_key_index_t *key_index
)
```

Parameters

handle	Output	ARC4 handler (work area)
key_index	Input	Wrapped key

Return Values

TSIP_SUCCESS:	Normal termination
TSIP_ERR_RESOURCE_CONFLICT:	Occurrence of resource conflict because a hardware resource needed by the processing routine was in use by another processing routine
TSIP_ERR_KEY_SET:	Invalid wrapped key

Description

The R_TSIP_Arc4DecryptInit() function performs preparations for the execution of ARC4 calculation, and writes the result to the first parameter, handle. The parameter handle is used subsequently as a parameter by the R_TSIP_Arc4DecryptUpdate() and R_TSIP_Arc4DecryptFinal() functions.

Refer to 3.7.1, Key Injection and Updating, for an explanation of how to generate key_index.

Reentrancy

Not supported.

4.2.5.8 R_TSIP_Arc4DecryptUpdate

Format

```
#include "r_tsip_rx_if.h"
e_tsip_err_t R_TSIP_Arc4DecryptUpdate(
    tsip_arc4_handle_t *handle,
    uint8_t *cipher,
    uint8_t *plain,
    uint32_t cipher_length
)
```

Parameters

handle	Input/output	ARC4 handler (work area)
cipher	Input	Ciphertext data area
plain	Output	Plaintext data area
cipher_length	Input	Byte length of ciphertext data (Must be a multiple of 16.)

Return Values

TSIP_SUCCESS:	Normal termination
TSIP_ERR_PARAMETER:	Invalid handle input
TSIP_ERR_PROHIBIT_FUNCTION:	Invalid function called

Description

Using the handle specified by the first parameter, handle, the R_TSIP_Arc4DecryptUpdate() function decrypts the second parameter, cipher, utilizing the key index specified by the R_TSIP_Arc4DecryptInit() function, and writes the decrypted result to the third parameter, plain. After ciphertext input completes, call R_TSIP_Arc4DecryptFinal().

Except in cases where the addresses are the same, specify areas for plain and cipher that do not overlap.

Reentrancy

Not supported.

4.2.5.9 R_TSIP_Arc4DecryptFinal

Format

```
#include "r_tsip_rx_if.h"
e_tsip_err_t R_TSIP_Aes128EcbDecryptFinal(
    tsip_aes_handle_t *handle,
    uint8_t *plain,
    uint32_t *plain_length
)
```

Parameters

handle	Input	ARC4 handler (work area)
plain	Output	Plaintext data area (Nothing is ever written here.)
plain_length	Output	Plaintext data length (The write value is always 0.)

Return Values

TSIP_SUCCESS:	Normal termination
TSIP_ERR_FAIL:	Occurrence of internal error
TSIP_ERR_PARAMETER:	Invalid handle input
TSIP_ERR_PROHIBIT_FUNCTION:	Invalid function called

Description

Using the handle specified by the first parameter, handle, the R_TSIP_Arc4DecryptFinal() function writes the calculation result to the second parameter, plain, and writes the length of the calculation result to the third parameter, plain_length. The original intent was for any portion of the decrypted result that was not a multiple of 16 bytes to be written to the second parameter. However, due to the restriction that only multiples of 16 can be input to the R_TSIP_Arc4DecryptUpdate() function, nothing is ever written to plain, and 0 is always written to plain_length. The parameters plain and plain_length are provided for future compatibility in anticipation of this restriction eventually being removed.

Reentrancy

Not supported.

4.2.6 RSA

4.2.6.1 R_TSIP_GenerateRsaXXXPublicKeyIndex

Format

- ```
(1) #include "r_tsip_rx_if.h"
 e_tsip_err_t R_TSIP_GenerateRsa1024PublicKeyIndex(
 uint8_t *encrypted_provisioning_key,
 uint8_t *iv,
 uint8_t *encrypted_key,
 tsip_rsa1024_public_key_index_t *key_index
)

(2) #include "r_tsip_rx_if.h"
 e_tsip_err_t R_TSIP_GenerateRsa2048PublicKeyIndex(
 uint8_t *encrypted_provisioning_key,
 uint8_t *iv,
 uint8_t *encrypted_key,
 tsip_rsa2048_public_key_index_t *key_index
)

(3) #include "r_tsip_rx_if.h"
 e_tsip_err_t R_TSIP_GenerateRsa3072PublicKeyIndex(
 uint8_t *encrypted_provisioning_key,
 uint8_t *iv,
 uint8_t *encrypted_key,
 tsip_rsa3072_public_key_index_t *key_index
)

(4) #include "r_tsip_rx_if.h"
 e_tsip_err_t R_TSIP_GenerateRsa4096PublicKeyIndex(
 uint8_t *encrypted_provisioning_key,
 uint8_t *iv,
 uint8_t *encrypted_key,
 tsip_rsa4096_public_key_index_t *key_index
)
```

#### Parameters

|                            |        |                                                     |
|----------------------------|--------|-----------------------------------------------------|
| encrypted_provisioning_key | Input  | W-UFPK                                              |
| iv                         | Input  | Initialization vector when generating encrypted_key |
| encrypted_key              | Input  | Encrypted key encrypted using UFPK                  |
| key_index                  | Output | Public key with wrapped key format                  |
| value                      |        | Public key value                                    |
| key_management_info1       |        | Key management information                          |
| key_n                      |        | Modulus n (plaintext)                               |
|                            |        | (1) 1024-bit RSA                                    |
|                            |        | (2) 2048-bit RSA                                    |
|                            |        | (3) 3072-bit RSA                                    |
|                            |        | (4) 4096-bit RSA                                    |

|                      |                                                                                                        |
|----------------------|--------------------------------------------------------------------------------------------------------|
| key_e                | Exponent e (plaintext)<br>(1) 1024-bit RSA<br>(2) 2048-bit RSA<br>(3) 3072-bit RSA<br>(4) 4096-bit RSA |
| dummy                | Dummy                                                                                                  |
| key_management_info2 | Key management information                                                                             |

**Return Values**

|                             |                                                                                                                                       |
|-----------------------------|---------------------------------------------------------------------------------------------------------------------------------------|
| TSIP_SUCCESS:               | Normal termination                                                                                                                    |
| TSIP_ERR_RESOURCE_CONFLICT: | Occurrence of resource conflict because a hardware resource needed by the processing routine was in use by another processing routine |
| TSIP_ERR_FAIL               | Occurrence of internal error                                                                                                          |

**Description**

This API outputs a 1024-bit, 2048-bit, 3072-bit, or 4096-bit RSA public key with wrapped key format.

Refer to 7.3.4, RSA, for the format of the data encrypted using the UFPK input as encrypted\_key.

Ensure that the areas allocated for encrypted\_key and key\_index do not overlap.

Refer to 3.7.1, Key Injection and Updating, for an explanation of encrypted\_provisioning\_key, iv, and encrypted\_key and how to use key\_index.

**Reentrancy**

Not supported.

### 4.2.6.2 R\_TSIP\_GenerateRsaXXXPrivateKeyIndex

#### Format

- ```
(1) #include "r_tsip_rx_if.h"
    e_tsip_err_t R_TSIP_GenerateRsa1024PrivateKeyIndex(
        uint8_t *encrypted_provisioning_key,
        uint8_t *iv,
        uint8_t *encrypted_key,
        tsip_rsa1024_private_key_index_t *key_index
    )

(2) #include "r_tsip_rx_if.h"
    e_tsip_err_t R_TSIP_GenerateRsa2048PrivateKeyIndex(
        uint8_t *encrypted_provisioning_key,
        uint8_t *iv,
        uint8_t *encrypted_key,
        tsip_rsa2048_private_key_index_t *key_index
    )
```

Parameters

encrypted_provisioning_key	Input	W-UFPK
iv	Input	Initialization vector when generating encrypted_key
encrypted_key	Input	Encrypted key encrypted using UFPK
key_index	Output	Wrapped key (1) 1024-bit RSA (2) 2048-bit RSA

Return Values

TSIP_SUCCESS:	Normal termination
TSIP_ERR_RESOURCE_CONFLICT:	Occurrence of resource conflict because a hardware resource needed by the processing routine was in use by another processing routine
TSIP_ERR_FAIL	Occurrence of internal error

Description

This API outputs a 1024-bit or 2048-bit RSA secret wrapped key.

Refer to 7.3.4, RSA, for the format of the data encrypted using the UFPK input as encrypted_key.

Ensure that the areas allocated for encrypted_key and key_index do not overlap.

Refer to 3.7.1, Key Injection and Updating, for an explanation of encrypted_provisioning_key, iv, and encrypted_key and how to use key_index.

Reentrancy

Not supported.

4.2.6.3 R_TSIP_UpdateRsaXXXPublicKeyIndex

Format

- ```
(1) #include "r_tsip_rx_if.h"
 e_tsip_err_t R_TSIP_UpdateRsa1024PublicKeyIndex(
 uint8_t *iv,
 uint8_t *encrypted_key,
 tsip_rsa1024_public_key_index_t *key_index
)
(2) #include "r_tsip_rx_if.h"
 e_tsip_err_t R_TSIP_UpdateRsa2048PublicKeyIndex(
 uint8_t *iv,
 uint8_t *encrypted_key,
 tsip_rsa2048_public_key_index_t *key_index
)
(3) #include "r_tsip_rx_if.h"
 e_tsip_err_t R_TSIP_UpdateRsa3072PublicKeyIndex(
 uint8_t *iv,
 uint8_t *encrypted_key,
 tsip_rsa3072_public_key_index_t *key_index
)
(4) #include "r_tsip_rx_if.h"
 e_tsip_err_t R_TSIP_UpdateRsa4096PublicKeyIndex(
 uint8_t *iv,
 uint8_t *encrypted_key,
 tsip_rsa4096_public_key_index_t *key_index
)
```

#### Parameters

|                      |        |                                                     |
|----------------------|--------|-----------------------------------------------------|
| iv                   | Input  | Initialization vector when generating encrypted_key |
| encrypted_key        | Input  | Encrypted key encrypted using KUK                   |
| key_index            | Output | Public key with wrapped key format                  |
| value                |        | Public key value                                    |
| key_management_info1 |        | Key management information                          |
| key_n                |        | Modulus n (plaintext)                               |
|                      |        | (1) 1024-bit RSA                                    |
|                      |        | (2) 2048-bit RSA                                    |
|                      |        | (3) 3072-bit RSA                                    |
|                      |        | (4) 4096-bit RSA                                    |
| key_e                |        | Exponent e (plaintext)                              |
|                      |        | (1) 1024-bit RSA                                    |
|                      |        | (2) 2048-bit RSA                                    |
|                      |        | (3) 3072-bit RSA                                    |
|                      |        | (4) 4096-bit RSA                                    |
| dummy                |        | Dummy                                               |
| key_management_info2 |        | Key management information                          |



**Return Values**

|                             |                                                                                                                                       |
|-----------------------------|---------------------------------------------------------------------------------------------------------------------------------------|
| TSIP_SUCCESS:               | Normal termination                                                                                                                    |
| TSIP_ERR_RESOURCE_CONFLICT: | Occurrence of resource conflict because a hardware resource needed by the processing routine was in use by another processing routine |
| TSIP_ERR_FAIL               | Occurrence of internal error                                                                                                          |

**Description**

This API updates a 1024-bit, 2048-bit, 3072-bit, or 4096-bit RSA publickey with wrapped key format.

Refer to 7.3.4, RSA, for the format of the data encrypted using the KUK input as encrypted\_key.

Refer to 3.7.1, Key Injection and Updating, for an explanation of iv and encrypted\_key and how to use key\_index.

**Reentrancy**

Not supported.

#### 4.2.6.4 R\_TSIP\_UpdateRsaXXXPrivateKeyIndex

##### Format

```
(1) #include "r_tsip_rx_if.h"
 e_tsip_err_t R_TSIP_UpdateRsa1024PrivateKeyIndex(
 uint8_t *iv,
 uint8_t *encrypted_key,
 tsip_rsa1024_private_key_index_t *key_index
)
(2) #include "r_tsip_rx_if.h"
 e_tsip_err_t R_TSIP_UpdateRsa2048PrivateKeyIndex(
 uint8_t *iv,
 uint8_t *encrypted_key,
 tsip_rsa2048_private_key_index_t *key_index
)
```

##### Parameters

|               |        |                                                     |
|---------------|--------|-----------------------------------------------------|
| iv            | Input  | Initialization vector when generating encrypted_key |
| encrypted_key | Input  | Encrypted key encrypted using KUK                   |
| key_index     | Output | Wrapped key<br>(1) 1024-bit RSA<br>(2) 2048-bit RSA |

##### Return Values

|                             |                                                                                                                                       |
|-----------------------------|---------------------------------------------------------------------------------------------------------------------------------------|
| TSIP_SUCCESS:               | Normal termination                                                                                                                    |
| TSIP_ERR_RESOURCE_CONFLICT: | Occurrence of resource conflict because a hardware resource needed by the processing routine was in use by another processing routine |
| TSIP_ERR_FAIL               | Occurrence of internal error                                                                                                          |

##### Description

This API updates a 1024-bit or 2048-bit RSA secret wrapped key. Refer to 7.3.4, RSA, for the format of the data encrypted using the UFPK input as encrypted\_key.

Refer to 3.7.1, Key Injection and Updating, for an explanation of iv and encrypted\_key and how to use key\_index.

##### Reentrancy

Not supported.

#### 4.2.6.5 R\_TSIP\_GenerateRsaXXXRandomKeyIndex

##### Format

- ```
(1) #include "r_tsip_rx_if.h"
    e_tsip_err_t R_TSIP_GenerateRsa1024RandomKeyIndex(
        tsip_rsa1024_key_pair_index_t *key_pair_index
    )
(2) #include "r_tsip_rx_if.h"
    e_tsip_err_t R_TSIP_GenerateRsa2048RandomKeyIndex(
        tsip_rsa2048_key_pair_index_t *key_pair_index
    )
```

Parameters

key_pair_index	Output	RSA key pair wrapped keys
public		RSA public key with wrapped key format
value		Public key value
key_management_info1		Key management information
key_n		Modulus n (plaintext) (1) 1024-bit RSA (2) 2048-bit RSA
key_e		Exponent e (plaintext) (1) 1024-bit RSA (2) 2048-bit RSA
dummy		Dummy
key_management_info2		Key management information
private		RSA secret wrapped key

Return Values

TSIP_SUCCESS:	Normal termination
TSIP_ERR_RESOURCE_CONFLICT:	Occurrence of resource conflict because a hardware resource needed by the processing routine was in use by another processing routine
TSIP_ERR_FAIL	Occurrence of internal error

Description

This API outputs 1024-bit or 2048-bit wrapped keys for an RSA public key–secret key pair. The API generates a user key from a random number within the TSIP. Therefore, no user key needs to be input. Encrypting data using the wrapped keys output by this API makes it possible to prevent dead copying of data. The public key with wrapped key format is generated in key_pair_index->public, and the secret wrapped key is generated in key_pair_index->private. The only public key exponent generated is 0x00010001.

Refer to 3.7.1, Key Injection and Updating, for an explanation of how to use key_pair_index->public and key_pair_index->private. The parameter key_pair_index->public is utilized in the same manner as the public key with wrapped key format output by R_TSIP_GenerateRsaXXXPublicKeyIndex(), and key_pair_index->private is utilized in the same manner as the secret wrapped key output by R_TSIP_GenerateRsaXXXPrivateKeyIndex().

Reentrancy

Not supported.

4.2.6.6 R_TSIP_RsaesPkcsXXXEncrypt

Format

- ```
(1) #include "r_tsip_rx_if.h"
 e_tsip_err_t R_TSIP_RsaesPkcs1024Encrypt(
 tsip_rsa_byte_data_t *plain,
 tsip_rsa_byte_data_t *cipher,
 tsip_rsa1024_public_key_index_t *key_index
)
(2) #include "r_tsip_rx_if.h"
 e_tsip_err_t R_TSIP_RsaesPkcs2048Encrypt(
 tsip_rsa_byte_data_t *plain,
 tsip_rsa_byte_data_t *cipher,
 tsip_rsa2048_public_key_index_t *key_index
)
(3) #include "r_tsip_rx_if.h"
 e_tsip_err_t R_TSIP_RsaesPkcs3072Encrypt(
 tsip_rsa_byte_data_t *plain,
 tsip_rsa_byte_data_t *cipher,
 tsip_rsa3072_public_key_index_t *key_index
)
(4) #include "r_tsip_rx_if.h"
 e_tsip_err_t R_TSIP_RsaesPkcs4096Encrypt(
 tsip_rsa_byte_data_t *plain,
 tsip_rsa_byte_data_t *cipher,
 tsip_rsa4096_public_key_index_t *key_index
)
```

##### Parameters

|             |        |                                                                                                                    |
|-------------|--------|--------------------------------------------------------------------------------------------------------------------|
| plain       | Input  | Plaintext data to be encrypted                                                                                     |
| pdata       |        | Specifies pointer to array containing plaintext.                                                                   |
| data_length |        | Specifies valid data length of plaintext array.<br>Data size <= modulus n size – 11                                |
| cipher      | Output | Encrypted data                                                                                                     |
| pdata       |        | Specifies pointer to array containing ciphertext.                                                                  |
| data_length |        | Inputs ciphertext buffer size, and outputs valid data length after encryption (modulus n size)                     |
| key_index   | Input  | Public key with wrapped key format<br>(1) 1024-bit RSA<br>(2) 2048-bit RSA<br>(3) 3072-bit RSA<br>(4) 4096-bit RSA |

**Return Values**

|                             |                                                                                                                                       |
|-----------------------------|---------------------------------------------------------------------------------------------------------------------------------------|
| TSIP_SUCCESS:               | Normal termination                                                                                                                    |
| TSIP_ERR_RESOURCE_CONFLICT: | Occurrence of resource conflict because a hardware resource needed by the processing routine was in use by another processing routine |
| TSIP_ERR_KEY_SET            | Invalid wrapped key input                                                                                                             |
| TSIP_ERR_PARAMETER          | Invalid input data                                                                                                                    |
| TSIP_ERR_FAIL               | Occurrence of internal error (Only for XXX = 3072, 4096)                                                                              |

**Description**

The R\_TSIP\_RsaesPkcsXXXEncrypt() function encrypts in RSA mode the plaintext input as the first parameter, plain, according to RSAES-PKCS1-V1\_5. It then writes the encrypted result to the second parameter, cipher.

Refer to 3.7.1, Key Injection and Updating, for an explanation of how to generate key\_index.

**Reentrancy**

Not supported.

### 4.2.6.7 R\_TSIP\_RsaesPkcsXXXDecrypt

#### Format

```
(1) #include "r_tsip_rx_if.h"
 e_tsip_err_t R_TSIP_RsaesPkcs1024Decrypt(
 tsip_rsa_byte_data_t *cipher,
 tsip_rsa_byte_data_t *plain,
 tsip_rsa1024_private_key_index_t *key_index
)
(2) #include "r_tsip_rx_if.h"
 e_tsip_err_t R_TSIP_RsaesPkcs2048Decrypt(
 tsip_rsa_byte_data_t *cipher,
 tsip_rsa_byte_data_t *plain,
 tsip_rsa2048_private_key_index_t *key_index
)
```

#### Parameters

|             |        |                                                                                  |
|-------------|--------|----------------------------------------------------------------------------------|
| cipher      | Input  | Encrypted data to be decrypted                                                   |
| pdata       |        | Specifies pointer to array containing ciphertext.                                |
| data_length |        | Specifies valid data length of ciphertext array (modulus n size).                |
| plain       | Output | Decrypted plaintext data                                                         |
| pdata       |        | Specifies pointer to array containing plaintext.                                 |
| data_length |        | Specifies valid data length of plaintext array. Data size <= modulus n size – 11 |
| key_index   | Input  | Wrapped key                                                                      |
|             |        | (1) 1024-bit RSA                                                                 |
|             |        | (2) 2048-bit RSA                                                                 |

#### Return Values

|                             |                                                                                                                                       |
|-----------------------------|---------------------------------------------------------------------------------------------------------------------------------------|
| TSIP_SUCCESS:               | Normal termination                                                                                                                    |
| TSIP_ERR_RESOURCE_CONFLICT: | Occurrence of resource conflict because a hardware resource needed by the processing routine was in use by another processing routine |
| TSIP_ERR_KEY_SET            | Invalid wrapped key input                                                                                                             |
| TSIP_ERR_PARAMETER          | Invalid input data                                                                                                                    |

#### Description

The R\_TSIP\_RsaesPkcsXXXDecrypt() function decrypts in RSA mode the ciphertext input as the first parameter, cipher, according to RSAES-PKCS1-V1\_5. It then writes the decrypted result to the second parameter, plain.

Refer to 3.7.1, Key Injection and Updating, for an explanation of how to generate key\_index.

#### Reentrancy

Not supported.

#### 4.2.6.8 R\_TSIP\_RsaesOaepXXXEncrypt

##### Format

```
(1) #include "r_tsip_rx_if.h"
 e_tsip_err_t R_TSIP_RsaesOaep1024Encrypt(
 tsip_rsa_byte_data_t *plain,
 tsip_rsa_byte_data_t *cipher,
 tsip_rsa1024_public_key_index_t *key_index,
 uint8_t hash_type,
 uint8_t mgf_hash_type,
 uint8_t *label,
 uint32_t label_length
)
(2) #include "r_tsip_rx_if.h"
 e_tsip_err_t R_TSIP_RsaesOaep2048Encrypt(
 tsip_rsa_byte_data_t *plain,
 tsip_rsa_byte_data_t *cipher,
 tsip_rsa2048_public_key_index_t *key_index,
 uint8_t hash_type,
 uint8_t mgf_hash_type,
 uint8_t *label,
 uint32_t label_length
)
```

##### Parameters

|               |        |                                                                                                       |
|---------------|--------|-------------------------------------------------------------------------------------------------------|
| plain         | Input  | Plaintext data to be encrypted                                                                        |
| pdata         |        | Specifies pointer to array containing plaintext.                                                      |
| data_length   |        | Specifies valid data length of plaintext array.<br>Data size <= modulus n size – 11                   |
| cipher        | Output | Encrypted data                                                                                        |
| pdata         |        | Specifies pointer to array containing ciphertext.                                                     |
| data_length   |        | Inputs ciphertext buffer size, and outputs valid data length after encryption (modulus n size)        |
| key_index     | Input  | Public key with wrapped key format<br>(1) 1024-bit RSA<br>(2) 2048-bit RSA                            |
| hash_type     | Input  | Hash type to use in encoding process<br>R_TSIP_RSA_HASH_SHA1<br>R_TSIP_RSA_HASH_SHA256                |
| mgf_hash_type | Input  | Hash type to use in mask generation function (MGF1)<br>R_TSIP_RSA_HASH_SHA1<br>R_TSIP_RSA_HASH_SHA256 |
| label         | Input  | Label data                                                                                            |
| label_length  | Input  | Dsta length of label<br>Data size <= 2 <sup>16</sup> -1                                               |



**Return Values**

|                             |                                                                                                                                       |
|-----------------------------|---------------------------------------------------------------------------------------------------------------------------------------|
| TSIP_SUCCESS:               | Normal termination                                                                                                                    |
| TSIP_ERR_RESOURCE_CONFLICT: | Occurrence of resource conflict because a hardware resource needed by the processing routine was in use by another processing routine |
| TSIP_ERR_KEY_SET            | Invalid wrapped key input                                                                                                             |
| TSIP_ERR_PARAMETER          | Invalid input data                                                                                                                    |

**Description**

The R\_TSIP\_RsassaOaepXXXEncrypt() function encrypts, in accordance with RSAES-OAEP in section 7.1 of RFC 8017, plain text as the first parameter, plain, using the public wrapped key input as the third parameter, key\_index, and writes the result to the second parameter, cipher. Hash algorithm used in RSAES-OAEP encryption is specified by the fourth parameter, hash\_type. Hash algorithm used in mask generation function is specified by fifth parameter, mgf\_hash\_type.

When a label is used in the encryption, the value is specified by sixth parameter, label, and the length is specified by the seventh parameter, label\_length. When a label is not used in the encryption, specify NULL to the label and 0 to label\_length.

Refer to 3.7.1, Key Injection and Updating, for an explanation of how to generate key\_index.

**Reentrancy**

Not supported.

#### 4.2.6.9 R\_TSIP\_RsaesOaepXXXDecrypt

##### Format

```
(1) #include "r_tsip_rx_if.h"
 e_tsip_err_t R_TSIP_RsaesOaep1024Decrypt(
 tsip_rsa_byte_data_t *cipher,
 tsip_rsa_byte_data_t *plain,
 tsip_rsa1024_private_key_index_t *key_index,
 uint8_t hash_type,
 uint8_t mgf_hash_type,
 uint8_t *label,
 uint32_t label_length
)
(2) #include "r_tsip_rx_if.h"
 e_tsip_err_t R_TSIP_RsaesOaep2048Decrypt(
 tsip_rsa_byte_data_t *cipher,
 tsip_rsa_byte_data_t *plain,
 tsip_rsa2048_private_key_index_t *key_index,
 uint8_t hash_type,
 uint8_t mgf_hash_type,
 uint8_t *label,
 uint32_t label_length
)
```

##### Parameters

|               |        |                                                                                                       |
|---------------|--------|-------------------------------------------------------------------------------------------------------|
| cipher        | Input  | Encrypted data to be decrypted                                                                        |
| pdata         |        | Specifies pointer to array containing ciphertext.                                                     |
| data_length   |        | Specifies valid data length of ciphertext array (modulus n size).                                     |
| plain         | Output | Decrypted plaintext data                                                                              |
| pdata         |        | Specifies pointer to array containing plaintext.                                                      |
| data_length   |        | Specifies valid data length of plaintext array. Data size <= modulus n size – 11                      |
| key_index     | Input  | Wrapped key<br>(1) 1024-bit RSA<br>(2) 2048-bit RSA                                                   |
| hash_type     | Input  | Hash type to use in decoding process<br>R_TSIP_RSA_HASH_SHA1<br>R_TSIP_RSA_HASH_SHA256                |
| mgf_hash_type | Input  | Hash type to use in mask generation function (MGF1)<br>R_TSIP_RSA_HASH_SHA1<br>R_TSIP_RSA_HASH_SHA256 |
| label         | Input  | Label data                                                                                            |
| label_length  | Input  | Dsta length of label<br>Data size <= 2 <sup>16</sup> -1                                               |

**Return Values**

|                             |                                                                                                                                       |
|-----------------------------|---------------------------------------------------------------------------------------------------------------------------------------|
| TSIP_SUCCESS:               | Normal termination                                                                                                                    |
| TSIP_ERR_RESOURCE_CONFLICT: | Occurrence of resource conflict because a hardware resource needed by the processing routine was in use by another processing routine |
| TSIP_ERR_KEY_SET            | Invalid wrapped key input                                                                                                             |
| TSIP_ERR_PARAMETER          | Invalid input data                                                                                                                    |
| TSIP_ERR_FAIL               | Decryption failed                                                                                                                     |

**Description**

The R\_TSIP\_RsassaOaepXXDecrypt() function decrypts, in accordance with RSAES-OAEP in section 7.1 of RFC 8017, cipher text as the first parameter, cipher, using the private wrapped key input as the third parameter, key\_index, and writes the result to the second parameter, plain. Hash algorithm used in RSAES-OAEP encryption is specified by the fourth parameter, hash\_type. Hash algorithm used in mask generation function is specified by fifth parameter, mgf\_hash\_type.

When a label is used in the decryption, the value is specified by sixth parameter, label, and the length is specified by the seventh parameter, label\_length. When a label is not used in the encryption, specify NULL to the label and 0 to label\_length.

Refer to 3.7.1, Key Injection and Updating, for an explanation of how to generate key\_index.

**Reentrancy**

Not supported.

#### 4.2.6.10 R\_TSIP\_RsassaPkcsXXXSignatureGenerate

##### Format

```
(1) #include "r_tsip_rx_if.h"
 e_tsip_err_t R_TSIP_RsassaPkcs1024SignatureGenerate(
 tsip_rsa_byte_data_t *message_hash,
 tsip_rsa_byte_data_t *signature,
 tsip_rsa1024_private_key_index_t *key_index,
 uint8_t hash_type
)
(2) #include "r_tsip_rx_if.h"
 e_tsip_err_t R_TSIP_RsassaPkcs2048SignatureGenerate(
 tsip_rsa_byte_data_t *message_hash,
 tsip_rsa_byte_data_t *signature,
 tsip_rsa2048_private_key_index_t *key_index,
 uint8_t hash_type
)
```

##### Parameters

|              |        |                                                                                                                |
|--------------|--------|----------------------------------------------------------------------------------------------------------------|
| message_hash | Input  | Message or hash value information to which to attach signature                                                 |
| pdata        |        | Specifies pointer to array containing message or hash value.                                                   |
| data_length  |        | Specifies valid data length of array (specified for message only).<br>Maximum size is 2 <sup>31</sup> -1 byte. |
| data_type    |        | Selects data type of message_hash.<br>Message: 0<br>Hash value: 1                                              |
| signature    | Output | Signature text storage destination information                                                                 |
| pdata        |        | Specifies pointer to array containing signature text.                                                          |
| data_length  |        | Data length (byte units)                                                                                       |
| key_index    | Input  | Wrappd key<br>(1) 1024-bit RSA<br>(2) 2048-bit RSA                                                             |
| hash_type    | Input  | Hash type to attach to signature<br>R_TSIP_RSA_HASH_MD5<br>R_TSIP_RSA_HASH_SHA1<br>R_TSIP_RSA_HASH_SHA256      |

##### Return Values

|                             |                                                                                                                                       |
|-----------------------------|---------------------------------------------------------------------------------------------------------------------------------------|
| TSIP_SUCCESS:               | Normal termination                                                                                                                    |
| TSIP_ERR_RESOURCE_CONFLICT: | Occurrence of resource conflict because a hardware resource needed by the processing routine was in use by another processing routine |
| TSIP_ERR_KEY_SET            | Invalid wrapped key input                                                                                                             |

TSIP\_ERR\_PARAMETER

Invalid input data

**Description**

The R\_TSIP\_RsassaPkcsXXXSignatureGenerate() function generates, in accordance with RSASSA-PKCS1-V1\_5, signature text from the message text or hash value input as the first parameter, message\_hash, using the secret wrapped key input as the third parameter, key\_index, and writes the result to the second parameter, signature. When a message is specified as the first parameter, message\_hash->data\_type, a hash value is calculated from the message as specified by the fourth parameter, hash\_type. When specifying a hash value in the first parameter, message\_hash->data\_type, a hash value calculated with the hash algorithm specified by the fourth parameter, hash\_type, must be input as message\_hash->pdata.

Refer to 3.7.1, Key Injection and Updating, for an explanation of how to generate key\_index.

**Reentrancy**

Not supported.

#### 4.2.6.11 R\_TSIP\_RsassaPkcsXXXSignatureVerification

##### Format

- ```
(1) #include "r_tsip_rx_if.h"
    e_tsip_err_t R_TSIP_RsassaPkcs1024SignatureVerification(
        tsip_rsa_byte_data_t *signature,
        tsip_rsa_byte_data_t *message_hash,
        tsip_rsa1024_public_key_index_t *key_index,
        uint8_t hash_type
    )

(2) #include "r_tsip_rx_if.h"
    e_tsip_err_t R_TSIP_RsassaPkcs2048SignatureVerification(
        tsip_rsa_byte_data_t *signature,
        tsip_rsa_byte_data_t *message_hash,
        tsip_rsa2048_public_key_index_t *key_index,
        uint8_t hash_type
    )

(3) #include "r_tsip_rx_if.h"
    e_tsip_err_t R_TSIP_RsassaPkcs3072SignatureVerification(
        tsip_rsa_byte_data_t *signature,
        tsip_rsa_byte_data_t *message_hash,
        tsip_rsa3072_public_key_index_t *key_index,
        uint8_t hash_type
    )

(4) #include "r_tsip_rx_if.h"
    e_tsip_err_t R_TSIP_RsassaPkcs4096SignatureVerification(
        tsip_rsa_byte_data_t *signature,
        tsip_rsa_byte_data_t *message_hash,
        tsip_rsa4096_public_key_index_t *key_index,
        uint8_t hash_type
    )
```

Parameters

signature	Input	Signature text information to be verified
pdata		Specifies pointer to array containing signature text.
message_hash	Input	Message text or hash value information to be verified
pdata		Specifies pointer to array containing message or hash value.
data_length		Specifies valid data length of array (specified for message only). Maximum size is $2^{31}-1$ byte.
data_type		Selects data type of message_hash. Message: 0 Hash value: 1
key_index	Input	Public key with wrapped key format (1) 1024-bit RSA (2) 2048-bit RSA (3) 3072-bit RSA (4) 4096-bit RSA

hash_type	Input	Hash type
		R_TSIP_RSA_HASH_MD5
		R_TSIP_RSA_HASH_SHA1
		R_TSIP_RSA_HASH_SHA256

Return Values

TSIP_SUCCESS:	Normal termination
TSIP_ERR_RESOURCE_CONFLICT:	Occurrence of resource conflict because a hardware resource needed by the processing routine was in use by another processing routine
TSIP_ERR_KEY_SET	Invalid wrapped key input
TSIP_ERR_AUTHENTICATION	Signature verification failure
TSIP_ERR_PARAMETER	Invalid input data
TSIP_ERR_FAIL	Occurrence of internal error (Only for XXX = 3072, 4096)

Description

R_TSIP_RsassaPkcsXXXSignatureVerification() function verifies, in accordance with RSASSAPKCS1-V1_5, the signature text input as the first parameter signature, and the message text or hash value input as the second parameter, message_hash, using the public key with wrapped key format input as the third parameter, key_index. When a message is specified by the second parameter, message_hash>data_type, a hash value is calculated using the public key with wrapped key format input as the third parameter, key_index, as specified by the fourth parameter, hash_type. When specifying a hash value in the second parameter, message_hash->data_type, a hash value calculated with the hash algorithm specified by the fourth parameter, hash_type, must be input as message_hash->pdata.

Refer to 3.7.1, Key Injection and Updating, for an explanation of how to generate key_index.

Reentrancy

Not supported.

4.2.6.12 R_TSIP_RsassaPssXXXSignatureGenerate

Format

```
(1) #include "r_tsip_rx_if.h"
    e_tsip_err_t R_TSIP_RsassaPss1024SignatureGenerate(
        tsip_rsa_byte_data_t *message_hash,
        tsip_rsa_byte_data_t *signature,
        tsip_rsa1024_private_key_index_t *key_index,
        uint8_t hash_type
    )
(2) #include "r_tsip_rx_if.h"
    e_tsip_err_t R_TSIP_RsassaPss2048SignatureGenerate(
        tsip_rsa_byte_data_t *message_hash,
        tsip_rsa_byte_data_t *signature,
        tsip_rsa2048_private_key_index_t *key_index,
        uint8_t hash_type
    )
```

Parameters

message_hash	Input	Message or hash value information to which to attach signature
pdata		Specifies pointer to array containing message or hash value.
data_length		Specifies valid data length of array (specified for message only). Maximum size is 2 ³¹ -1 byte.
data_type		Selects data type of message_hash. Message: 0 Hash value: 1
signature	Output	Signature text storage destination information
pdata		Specifies pointer to array containing signature text.
data_length		Data length (byte units)
key_index	Input	Wrapped key (1) 1024-bit RSA (2) 2048-bit RSA
hash_type	Input	Hash type to attach to signature R_TSIP_RSA_HASH_SHA1 R_TSIP_RSA_HASH_SHA256

Return Values

TSIP_SUCCESS:	Normal termination
TSIP_ERR_RESOURCE_CONFLICT:	Occurrence of resource conflict because a hardware resource needed by the processing routine was in use by another processing routine
TSIP_ERR_KEY_SET	Invalid wrapped key input
TSIP_ERR_PARAMETER	Invalid input data

Description

The R_TSIP_RsassaPssXXXSignatureGenerate() function generates, in accordance with RSASSA-PSS in section 8.1 of RFC 8017, signature text from the message text or hash value input as the first parameter, message_hash, using the secret wrapped key input as the third parameter, key_index, and writes the result to the second parameter, signature. The salt length is fixed at 32 bytes.

When a message is specified as the first parameter, message_hash->data_type, a hash value is calculated from the message as specified by the fourth parameter, hash_type.

When specifying a hash value in the first parameter, message_hash->data_type, a hash value calculated with the hash algorithm specified by the fourth parameter, hash_type, must be input as message_hash->pdata.

Refer to 3.7.1, Key Injection and Updating, for an explanation of how to generate key_index.

Reentrancy

Not supported.

4.2.6.13 R_TSIP_RsassaPssXXXSignatureVerification

Format

```
(1) #include "r_tsip_rx_if.h"
    e_tsip_err_t R_TSIP_RsassaPss1024SignatureVerification(
        tsip_rsa_byte_data_t *signature,
        tsip_rsa_byte_data_t *message_hash,
        tsip_rsa1024_public_key_index_t *key_index,
        uint8_t hash_type
    )
(2) #include "r_tsip_rx_if.h"
    e_tsip_err_t R_TSIP_RsassaPss2048SignatureVerification(
        tsip_rsa_byte_data_t *signature,
        tsip_rsa_byte_data_t *message_hash,
        tsip_rsa2048_public_key_index_t *key_index,
        uint8_t hash_type
    )
```

Parameters

signature	Input	Signature text information to be verified
pdata		Specifies pointer to array containing signature text.
message_hash	Input	Message text or hash value information to be verified
pdata		Specifies pointer to array containing message or hash value.
data_length		Specifies valid data length of array (specified for message only). Maximum size is $2^{31}-1$ byte.
data_type		Selects data type of message_hash. Message: 0 Hash value: 1
key_index	Input	Public key with wrapped key format (1) 1024-bit RSA (2) 2048-bit RSA
hash_type	Input	Hash type R_TSIP_RSA_HASH_SHA1 R_TSIP_RSA_HASH_SHA256

Return Values

TSIP_SUCCESS:	Normal termination
TSIP_ERR_RESOURCE_CONFLICT:	Occurrence of resource conflict because a hardware resource needed by the processing routine was in use by another processing routine
TSIP_ERR_KEY_SET	Invalid wrapped key input
TSIP_ERR_AUTHENTICATION	Signature verification failure
TSIP_ERR_PARAMETER	Invalid input data

Description

The R_TSIP_RsassaPssXXXSignatureVerification() function verifies, in accordance with RSASSA-PSS, the signature text input as the first parameter signature, and the message text or hash value input as the second parameter, message_hash, using the public key with wrapped key format input as the third parameter, key_index. The salt length is fixed at 32 bytes.

When a message is specified by the second parameter, message_hash->data_type, a hash value is calculated using the public key with wrapped key format input as the third parameter, key_index, as specified by the fourth parameter, hash_type.

When specifying a hash value in the second parameter, message_hash->data_type, a hash value calculated with the hash algorithm specified by the fourth parameter, hash_type, must be input as message_hash->pdata.

Refer to 3.7.1, Key Injection and Updating, for an explanation of how to generate key_index.

Reentrancy

Not supported.

4.2.7 ECC

4.2.7.1 R_TSIP_GenerateEccPXXXPublicKeyIndex

Format

- ```
(1) #include "r_tsip_rx_if.h"
 e_tsip_err_t R_TSIP_GenerateEccP192PublicKeyIndex(
 uint8_t *encrypted_provisioning_key,
 uint8_t *iv,
 uint8_t *encrypted_key,
 tsip_ecc_public_key_index_t *key_index
)

(2) #include "r_tsip_rx_if.h"
 e_tsip_err_t R_TSIP_GenerateEccP224PublicKeyIndex(
 uint8_t *encrypted_provisioning_key,
 uint8_t *iv,
 uint8_t *encrypted_key,
 tsip_ecc_public_key_index_t *key_index
)

(3) #include "r_tsip_rx_if.h"
 e_tsip_err_t R_TSIP_GenerateEccP256PublicKeyIndex(
 uint8_t *encrypted_provisioning_key,
 uint8_t *iv,
 uint8_t *encrypted_key,
 tsip_ecc_public_key_index_t *key_index
)

(4) #include "r_tsip_rx_if.h"
 e_tsip_err_t R_TSIP_GenerateEccP384PublicKeyIndex(
 uint8_t *encrypted_provisioning_key,
 uint8_t *iv,
 uint8_t *encrypted_key,
 tsip_ecc_public_key_index_t *key_index
)
```

## Parameters

|                            |        |                                                                                                                                                                      |
|----------------------------|--------|----------------------------------------------------------------------------------------------------------------------------------------------------------------------|
| encrypted_provisioning_key | Input  | W-UFPK                                                                                                                                                               |
| iv                         | Input  | Initialization vector when generating encrypted_key                                                                                                                  |
| encrypted_key              | Input  | Encrypted key encrypted using UFPK                                                                                                                                   |
| key_index                  | Output | Public key with wrapped key format                                                                                                                                   |
| value                      |        | Public key value                                                                                                                                                     |
| key_management_info        |        | Key management information                                                                                                                                           |
| key_q                      |        | (1) ECC P-192 public key Q (plaintext)<br>(2) ECC P-224 public key Q (plaintext)<br>(3) ECC P-256 public key Q (plaintext)<br>(4) ECC P-384 public key Q (plaintext) |

**Return Values**

|                             |                                                                                                                                       |
|-----------------------------|---------------------------------------------------------------------------------------------------------------------------------------|
| TSIP_SUCCESS:               | Normal termination                                                                                                                    |
| TSIP_ERR_RESOURCE_CONFLICT: | Occurrence of resource conflict because a hardware resource needed by the processing routine was in use by another processing routine |
| TSIP_ERR_FAIL               | Occurrence of internal error                                                                                                          |

**Description**

This API outputs an ECC P-192, P-224, P-256, or P-384 public key with wrapped key format.

Refer to 7.3.5, ECC, for an explanation of the method used to encrypt the public key using the provisioning key input as encrypted\_key.

Ensure that the areas allocated for encrypted\_key and key\_index do not overlap.

A structure which includes the public key plaintext data is output as key\_index->value.key\_q. Refer to 7.4.2, ECC, for the format.

Refer to 3.7.1, Key Injection and Updating, for an explanation of encrypted\_provisioning\_key, iv, and encrypted\_key and how to use key\_index.

**Reentrancy**

Not supported.

### 4.2.7.2 R\_TSIP\_GenerateEccPXXXPrivateKeyIndex

#### Format

```
(1) #include "r_tsip_rx_if.h"
 e_tsip_err_t R_TSIP_GenerateEccP192PrivateKeyIndex(
 uint8_t *encrypted_provisioning_key,
 uint8_t *iv,
 uint8_t *encrypted_key,
 tsip_ecc_private_key_index_t *key_index
)
(2) #include "r_tsip_rx_if.h"
 e_tsip_err_t R_TSIP_GenerateEccP224PrivateKeyIndex(
 uint8_t *encrypted_provisioning_key,
 uint8_t *iv,
 uint8_t *encrypted_key,
 tsip_ecc_private_key_index_t *key_index
)
(3) #include "r_tsip_rx_if.h"
 e_tsip_err_t R_TSIP_GenerateEccP256PrivateKeyIndex(
 uint8_t *encrypted_provisioning_key,
 uint8_t *iv,
 uint8_t *encrypted_key,
 tsip_ecc_private_key_index_t *key_index
)
(4) #include "r_tsip_rx_if.h"
 e_tsip_err_t R_TSIP_GenerateEccP384PrivateKeyIndex(
 uint8_t *encrypted_provisioning_key,
 uint8_t *iv,
 uint8_t *encrypted_key,
 tsip_ecc_private_key_index_t *key_index
)
```

#### Parameters

|                            |        |                                                                                                                                                             |
|----------------------------|--------|-------------------------------------------------------------------------------------------------------------------------------------------------------------|
| encrypted_provisioning_key | Input  | W-UFPK                                                                                                                                                      |
| iv                         | Input  | Initialization vector when generating encrypted_key                                                                                                         |
| encrypted_key              | Input  | Encrypted key encrypted using UFPK                                                                                                                          |
| key_index                  | Output | Wrapped key<br>(1) ECC P-192 secret wrapped key<br>(2) ECC P-224 secret wrapped key<br>(3) ECC P-256 secret wrapped key<br>(4) ECC P-384 secret wrapped key |

#### Return Values

|                             |                                                                                                                                       |
|-----------------------------|---------------------------------------------------------------------------------------------------------------------------------------|
| TSIP_SUCCESS:               | Normal termination                                                                                                                    |
| TSIP_ERR_RESOURCE_CONFLICT: | Occurrence of resource conflict because a hardware resource needed by the processing routine was in use by another processing routine |
| TSIP_ERR_FAIL               | Occurrence of internal error                                                                                                          |

**Description**

This API outputs an ECC P-192, P-224, P-256, or P-384 secret wrapped key.

Refer to 7.4, Public Key Index Formats for Asymmetric Cryptography, for the format of the data encrypted using the UFPK input as `encrypted_key`.

Ensure that the areas allocated for `encrypted_key` and `key_index` do not overlap.

Refer to 3.7.1, Key Injection and Updating, for an explanation of `encrypted_provisioning_key`, `iv`, and `encrypted_key` and how to use `key_index`.

**Reentrancy**

Not supported.

### 4.2.7.3 R\_TSIP\_UpdateEccPXXXPublicKeyIndex

#### Format

- ```
(1) #include "r_tsip_rx_if.h"
    e_tsip_err_t R_TSIP_UpdateEccP192PublicKeyIndex(
        uint8_t *iv,
        uint8_t *encrypted_key,
        tsip_ecc_public_key_index_t *key_index
    )
(2) #include "r_tsip_rx_if.h"
    e_tsip_err_t R_TSIP_UpdateEccP224PublicKeyIndex(
        uint8_t *iv,
        uint8_t *encrypted_key,
        tsip_ecc_public_key_index_t *key_index
    )
(3) #include "r_tsip_rx_if.h"
    e_tsip_err_t R_TSIP_UpdateEccP256PublicKeyIndex(
        uint8_t *iv,
        uint8_t *encrypted_key,
        tsip_ecc_public_key_index_t *key_index
    )
(4) #include "r_tsip_rx_if.h"
    e_tsip_err_t R_TSIP_UpdateEccP384PublicKeyIndex(
        uint8_t *iv,
        uint8_t *encrypted_key,
        tsip_ecc_public_key_index_t *key_index
    )
```

Parameters

iv	Input	Initialization vector when generating encrypted_key
encrypted_key	Input	Encrypted key encrypted using KUK
key_index	Output	Public key with wrapped key format
value		Public key value
key_management_info		Key management information
key_q		Public key (Qx Qy) (plaintext)
		(1) ECC P-192
		(2) ECC P-224
		(3) ECC P-256
		(4) ECC P-384

Return Values

TSIP_SUCCESS:	Normal termination
TSIP_ERR_RESOURCE_CONFLICT:	Occurrence of resource conflict because a hardware resource needed by the processing routine was in use by another processing routine
TSIP_ERR_FAIL	Occurrence of internal error

Description

This API updates an ECC P-192, P-224, P-256, or P-384 public key with wrapped key format.

Refer to 7.3.5, ECC, for an explanation of the method and format used to encrypt the public key using the KUK input as `encrypted_key`.

Refer to 7.4.2, ECC, for the format of the public key Q plaintext data output as `key_index->value.key_q`.

Refer to 3.7.1, Key Injection and Updating, for an explanation of `iv` and `encrypted_key` and how to use `key_index`.

Reentrancy

Not supported.

4.2.7.4 R_TSIP_UpdateEccPXXXPrivateKeyIndex

Format

- ```
(1) #include "r_tsip_rx_if.h"
 e_tsip_err_t R_TSIP_UpdateEccP192PrivateKeyIndex(
 uint8_t *iv,
 uint8_t *encrypted_key,
 tsip_ecc_private_key_index_t *key_index
)
(2) #include "r_tsip_rx_if.h"
 e_tsip_err_t R_TSIP_UpdateEccP224PrivateKeyIndex(
 uint8_t *iv,
 uint8_t *encrypted_key,
 tsip_ecc_private_key_index_t *key_index
)
(3) #include "r_tsip_rx_if.h"
 e_tsip_err_t R_TSIP_UpdateEccP256PrivateKeyIndex(
 uint8_t *iv,
 uint8_t *encrypted_key,
 tsip_ecc_private_key_index_t *key_index
)
(4) #include "r_tsip_rx_if.h"
 e_tsip_err_t R_TSIP_UpdateEccP384PrivateKeyIndex(
 uint8_t *iv,
 uint8_t *encrypted_key,
 tsip_ecc_private_key_index_t *key_index
)
```

##### Parameters

|               |        |                                                                                                                             |
|---------------|--------|-----------------------------------------------------------------------------------------------------------------------------|
| iv            | Input  | Initialization vector when generating encrypted_key                                                                         |
| encrypted_key | Input  | Encrypted key encrypted using KUK                                                                                           |
| key_index     | Output | Wrapped key<br>(1) ECC P-192 secret key<br>(2) ECC P-224 secret key<br>(3) ECC P-256 secret key<br>(4) ECC P-384 secret key |

##### Return Values

|                             |                                                                                                                                       |
|-----------------------------|---------------------------------------------------------------------------------------------------------------------------------------|
| TSIP_SUCCESS:               | Normal termination                                                                                                                    |
| TSIP_ERR_RESOURCE_CONFLICT: | Occurrence of resource conflict because a hardware resource needed by the processing routine was in use by another processing routine |
| TSIP_ERR_FAIL               | Occurrence of internal error                                                                                                          |

**Description**

This API updates an ECC P-192, P-224, P-256, or P-384 secret wrapped key.

Refer to 7.3.5, ECC, for an explanation of the method and format used to encrypt the private key using the KUK input as encrypted\_key.

Refer to 3.7.1, Key Injection and Updating, for an explanation of iv and encrypted\_key and how to use key\_index.

**Reentrancy**

Not supported.

### 4.2.7.5 R\_TSIP\_GenerateEccPXXXRandomKeyIndex

#### Format

- ```
(1) #include "r_tsip_rx_if.h"
    e_tsip_err_t R_TSIP_GenerateEccP192RandomKeyIndex(
        tsip_ecc_key_pair_index_t *key_pair_index
    )
(2) #include "r_tsip_rx_if.h"
    e_tsip_err_t R_TSIP_GenerateEccP224RandomKeyIndex(
        tsip_ecc_key_pair_index_t *key_pair_index
    )
(3) #include "r_tsip_rx_if.h"
    e_tsip_err_t R_TSIP_GenerateEccP256RandomKeyIndex(
        tsip_ecc_key_pair_index_t *key_pair_index
    )
(4) #include "r_tsip_rx_if.h"
    e_tsip_err_t R_TSIP_GenerateEccP384RandomKeyIndex(
        tsip_ecc_key_pair_index_t *key_pair_index
    )
```

Parameters

key_pair_index	Output	ECC public key–secret key pair wrapped keys (1) ECC P-192 (2) ECC P-224 (3) ECC P-256 (4) ECC P-384
->public value		Public key with wrapped key format Public key value
key_management_info		Key management information
key_q		Public key (Qx Qy) (plaintext)
->private		Secret wrapped key

Return Values

TSIP_SUCCESS:	Normal termination
TSIP_ERR_RESOURCE_CONFLICT:	Occurrence of resource conflict because a hardware resource needed by the processing routine was in use by another processing routine
TSIP_ERR_FAIL	Occurrence of internal error

Description

This API outputs P-192, P-224, P-256, or P-384 wrapped keys for an ECC public key–secret key pair. The API generates a user key from a random number within the TSIP. Therefore, no user key needs to be input. Encrypting data using the wrapped keys output by this API makes it possible to prevent dead copying of data. The public key with wrapped key format is generated in `key_pair_index->public`, and the secret wrapped key is generated in `key_pair_index->private`. The plaintext public key is output to `key_pair_index->public.value.key_q`. Refer to 7.4, Public Key Index Formats for Asymmetric Cryptography, for the data format.

Refer to 3.7.1, Key Injection and Updating, for an explanation of how to use `key_pair_index->public` and `key_pair_index->private`. The parameter `key_pair_index->public` is utilized in the same manner as the public key with wrapped key format output by `R_TSIP_GenerateEccPXXXPublicKeyIndex()`, and `key_pair_index->private` is utilized in the same manner as the secret wrapped key output by `R_TSIP_GenerateEccPXXXPrivateKeyIndex()`.

Reentrancy

Not supported.

4.2.7.6 R_TSIP_EcdsaPXXXSignatureGenerate

Format

- ```
(1) #include "r_tsip_rx_if.h"
 e_tsip_err_t R_TSIP_EcdsaP192SignatureGenerate(
 tsip_ecdsa_byte_data_t *message_hash,
 tsip_ecdsa_byte_data_t *signature,
 tsip_ecc_private_key_index_t *key_index
)

(2) #include "r_tsip_rx_if.h"
 e_tsip_err_t R_TSIP_EcdsaP224SignatureGenerate(
 tsip_ecdsa_byte_data_t *message_hash,
 tsip_ecdsa_byte_data_t *signature,
 tsip_ecc_private_key_index_t *key_index
)

(3) #include "r_tsip_rx_if.h"
 e_tsip_err_t R_TSIP_EcdsaP256SignatureGenerate(
 tsip_ecdsa_byte_data_t *message_hash,
 tsip_ecdsa_byte_data_t *signature,
 tsip_ecc_private_key_index_t *key_index
)

(4) #include "r_tsip_rx_if.h"
 e_tsip_err_t R_TSIP_EcdsaP384SignatureGenerate(
 tsip_ecdsa_byte_data_t *message_hash,
 tsip_ecdsa_byte_data_t *signature,
 tsip_ecc_private_key_index_t *key_index
)
```

#### Parameters

|              |        |                                                                                                                                                                                                                                                                                                              |
|--------------|--------|--------------------------------------------------------------------------------------------------------------------------------------------------------------------------------------------------------------------------------------------------------------------------------------------------------------|
| message_hash | Input  | Message or hash value information to which to attach signature                                                                                                                                                                                                                                               |
| pdata        |        | Specifies pointer to array containing message or hash value.                                                                                                                                                                                                                                                 |
| data_length  |        | Specifies valid data length of array (specified for message only).<br>(1)~(3) Maximum size is 2 <sup>31</sup> -1 byte.<br>(4) Maximum size is depends on user-defined function of SHA384                                                                                                                     |
| data_type    |        | Selects data type of message_hash.<br>Message: 0<br>Hash value: 1                                                                                                                                                                                                                                            |
| signature    | Output | Signature text storage destination information                                                                                                                                                                                                                                                               |
| pdata        |        | Specifies pointer to array containing signature text.<br>The signature format is as follows:<br>(1) "0 padding (64 bits)    signature r (192 bits)    0 padding (64 bits)    signature s (192 bits)"<br>(2) "0 padding (32 bits)    signature r (224 bits)    0 padding (32 bits)    signature s (224 bits)" |

|             |       |                                                                                                                             |
|-------------|-------|-----------------------------------------------------------------------------------------------------------------------------|
|             |       | (3) "signature r (256 bits)    signature s (256 bits)"                                                                      |
|             |       | (4) "signature r (384 bits)    signature s (384 bits)"                                                                      |
| data_length |       | Data length (byte units)                                                                                                    |
| key_index   | Input | Wrapped key<br>(1) ECC P-192 secret key<br>(2) ECC P-224 secret key<br>(3) ECC P-256 secret key<br>(4) ECC P-384 secret key |

### Return Values

|                             |                                                                                                                                       |
|-----------------------------|---------------------------------------------------------------------------------------------------------------------------------------|
| TSIP_SUCCESS:               | Normal termination                                                                                                                    |
| TSIP_ERR_RESOURCE_CONFLICT: | Occurrence of resource conflict because a hardware resource needed by the processing routine was in use by another processing routine |
| TSIP_ERR_KEY_SET            | Invalid wrapped key index input                                                                                                       |
| TSIP_ERR_FAIL               | Occurrence of internal error                                                                                                          |
| TSIP_ERR_PARAMETER          | Invalid input data                                                                                                                    |

### Description

When using (1) R\_TSIP\_EcdsaP192SignatureGenerate, (2) R\_TSIP\_EcdsaP224SignatureGenerate, or (3) R\_TSIP\_EcdsaP256SignatureGenerate

When a message is specified by the first parameter, message\_hash->data\_type, an SHA-256 hash of the message text input as the first parameter, message\_hash->pdata, is calculated, and the signature text is written to the second parameter, signature, in accordance with ECDSA P-192, P-224, or P-256 using the secret wrapped key input as the third parameter, key\_index.

When a hash value is specified by the first parameter, message\_hash->data\_type, the signature text for the first XXX bits (XXX/8 bytes) of the SHA-256 hash value input as the first parameter, message\_hash->pdata, is written to the second parameter, signature, in accordance with ECDSA P-192, P-224, or P-256 using the secret wrapped key input as the third parameter, key\_index.

When using (4) R\_TSIP\_EcdsaP384SignatureGenerate

When a message is specified by the first parameter, message\_hash->data\_type, an SHA-384 hash of the message text input as the first parameter, message\_hash->pdata, is calculated, and the signature text is written to the second parameter, signature, in accordance with ECDSA P-384 using the secret wrapped key input as the third parameter, key\_index.

To use message input, refer to 4.3 and prepare a user-defined function for SHA384.

When a hash value is specified by the first parameter, message\_hash->data\_type, the signature text for the entire 48 bytes of the SHA-384 hash value input as the first parameter, message\_hash->pdata, is written to the second parameter, signature, in accordance with ECDSA P-384 using the secret wrapped key input as the third parameter, key\_index.

Refer to 3.7.1, Key Injection and Updating, for an explanation of how to generate key\_index.

### Reentrancy

Not supported.

### 4.2.7.7 R\_TSIP\_EcdsaPXXXSignatureVerification

#### Format

- ```
(1) #include "r_tsip_rx_if.h"
    e_tsip_err_t R_TSIP_EcdsaP192SignatureVerification(
        tsip_ecdsa_byte_data_t *signature,
        tsip_ecdsa_byte_data_t *message_hash,
        tsip_ecc_public_key_index_t *key_index
    )

(2) #include "r_tsip_rx_if.h"
    e_tsip_err_t R_TSIP_EcdsaP224SignatureVerification(
        tsip_ecdsa_byte_data_t *signature,
        tsip_ecdsa_byte_data_t *message_hash,
        tsip_ecc_public_key_index_t *key_index
    )

(3) #include "r_tsip_rx_if.h"
    e_tsip_err_t R_TSIP_EcdsaP256SignatureVerification(
        tsip_ecdsa_byte_data_t *signature,
        tsip_ecdsa_byte_data_t *message_hash,
        tsip_ecc_public_key_index_t *key_index
    )

(4) #include "r_tsip_rx_if.h"
    e_tsip_err_t R_TSIP_EcdsaP384SignatureVerification(
        tsip_ecdsa_byte_data_t *signature,
        tsip_ecdsa_byte_data_t *message_hash,
        tsip_ecc_public_key_index_t *key_index
    )
```

Parameters

signature	Input	Signature text information to be verified
pdata		Specifies pointer to array containing signature text. The signature format is as follows: (1) "0 padding (64 bits) signature r (192 bits) 0 padding (64 bits) signature s (192 bits)" (2) "0 padding (32 bits) signature r (224 bits) 0 padding (32 bits) signature s (224 bits)" (3) "signature r (256 bits) signature s (256 bits)" (4) "signature r (384 bits) signature s (384 bits)"
message_hash	Input	Message text or hash value information to be verified
pdata		Specifies pointer to array containing message or hash value.
data_length		Specifies valid data length of array (specified for message only). (1)~(3) Maximum size is $2^{31}-1$ byte. (4) Maximum size is depends on user-defined function of SHA384

data_type		Selects data type of message_hash. Message: 0 Hash value: 1
key_index	Input	Public key with wrapped key format (1) ECC P-192 public key (2) ECC P-224 public key (3) ECC P-256 public key (4) ECC P-384 public key

Return Values

TSIP_SUCCESS:	Normal termination
TSIP_ERR_RESOURCE_CONFLICT:	Occurrence of resource conflict because a hardware resource needed by the processing routine was in use by another processing routine
TSIP_ERR_KEY_SET	Invalid wrapped key index input
TSIP_ERR_FAIL	Internal error, or signature verification failure
TSIP_ERR_PARAMETER	Invalid input data

Description

When using (1) R_TSIP_EcdsaP192SignatureVerification, (2) R_TSIP_EcdsaP224SignatureVerification, or (3) R_TSIP_EcdsaP256SignatureVerification

When a message is specified by the second parameter, message_hash->data_type, an SHA-256 hash of the message text input as the second parameter, message_hash->pdata, is calculated, and the signature text input as the first parameter, signature, is validated in accordance with ECDSA P-192, P-224 or P-256 using the public key with wrapped key format input as the third parameter, key_index.

When a hash value is specified by the second parameter, message_hash->data_type, the signature text for the first XXX bits (XXX/8 bytes) of the SHA-256 hash value input as the second parameter, message_hash->pdata, and the signature text input as the first parameter, signature, is validated in accordance with ECDSA P-192, P-224 or P-256 using the public key with wrapped key format input as the third parameter, key_index.

When using (4) R_TSIP_EcdsaP384SignatureVerification

When a message is specified by the second parameter, message_hash->data_type, an SHA-384 hash of the message text input as the second parameter, message_hash->pdata, is calculated, and the signature text input as the first parameter, signature, is validated in accordance with ECDSA P-384 using the public key with wrapped key format input as the third parameter, key_index.

To use message input, refer to 4.3 and prepare a user-defined function for SHA384.

When a hash value is specified by the second parameter, message_hash->data_type, the signature text for the entire 48 bytes of the SHA-384 hash value input as the second parameter, message_hash->pdata, and the signature text input as the first parameter, signature, is validated in accordance with ECDSA P-384 using the public key with wrapped key format input as the third parameter, key_index.

Refer to 3.7.1, Key Injection and Updating, for an explanation of how to generate key_index.

Reentrancy

Not supported.

4.2.8 HASH

4.2.8.1 R_TSIP_ShaXXXInit

Format

- ```
(1) #include "r_tsip_rx_if.h"
 e_tsip_err_t R_TSIP_Sha1Init(
 tsip_sha_md5_handle_t *handle
)

(2) #include "r_tsip_rx_if.h"
 e_tsip_err_t R_TSIP_Sha256Init(
 tsip_sha_md5_handle_t *handle
)
```

#### Parameters

|        |        |                         |
|--------|--------|-------------------------|
| handle | Output | SHA handler (work area) |
|--------|--------|-------------------------|

#### Return Values

|               |                    |
|---------------|--------------------|
| TSIP_SUCCESS: | Normal termination |
|---------------|--------------------|

#### Description

The R\_TSIP\_ShaXXXInit() function performs preparations for the execution of an SHA1 or SHA256 hash calculation, and writes the result to the first parameter, handle. The parameter handle is used subsequently as a parameter by the R\_TSIP\_ShaXXXUpdate() and R\_TSIP\_ShaXXXFinal() functions.

#### Reentrancy

Not supported.

### 4.2.8.2 R\_TSIP\_ShaXXXUpdate

#### Format

- ```
(1) #include "r_tsip_rx_if.h"
    e_tsip_err_t R_TSIP_Sha1Update(
        tsip_sha_md5_handle_t *handle,
        uint8_t *message,
        uint32_t message_length
    )
(2) #include "r_tsip_rx_if.h"
    e_tsip_err_t R_TSIP_Sha256Update(
        tsip_sha_md5_handle_t *handle,
        uint8_t *message,
        uint32_t message_length
    )
```

Parameters

handle	Input/output	SHA handler (work area)
message	Input	Message area
message_length	Input	Byte length of message

Return Values

TSIP_SUCCESS:	Normal termination
TSIP_ERR_RESOURCE_CONFLICT:	Occurrence of resource conflict because a hardware resource needed by the processing routine was in use by another processing routine
TSIP_ERR_PARAMETER:	Invalid handle input
TSIP_ERR_PROHIBIT_FUNCTION:	Invalid function called

Description

Using the handle specified by the first parameter, handle, the R_TSIP_ShaXXXUpdate() function calculates a hash value based on the second parameter, message, and the third parameter, message_length, and writes the ongoing status to the first parameter, handle (the value of which can be fetched using R_TSIP_GetCurrentHashDigestValue()). After message input completes, call R_TSIP_ShaXXXFinal().

Reentrancy

Not supported.

4.2.8.3 R_TSIP_ShaXXXFinal

Format

```
(1) #include "r_tsip_rx_if.h"
    e_tsip_err_t R_TSIP_Sha1Final(
        tsip_sha_md5_handle_t *handle,
        uint8_t *digest,
        uint32_t *digest_length
    )
(2) #include "r_tsip_rx_if.h"
    e_tsip_err_t R_TSIP_Sha256Final(
        tsip_sha_md5_handle_t *handle,
        uint8_t *digest,
        uint32_t *digest_length
    )
```

Parameters

handle	Input	SHA handler (work area)
digest	Output	Hash data area
digest_length	Output	Byte length of hash data (1) SHA1: 20 bytes (2) SHA256: 32 bytes

Return Values

TSIP_SUCCESS:	Normal termination
TSIP_ERR_RESOURCE_CONFLICT:	Occurrence of resource conflict because a hardware resource needed by the processing routine was in use by another processing routine
TSIP_ERR_PARAMETER:	Invalid handle input
TSIP_ERR_PROHIBIT_FUNCTION:	Invalid function called

Description

Using the handle specified as the first parameter, handle, the R_TSIP_ShaXXXFinal() function writes the calculation result to the second parameter, digest, and writes the length of the calculation result to the third parameter, digest_length.

Reentrancy

Not supported.

4.2.8.4 R_TSIP_Md5Init

Format

```
#include "r_tsip_rx_if.h"
e_tsip_err_t R_TSIP_Md5Init(
    tsip_sha_md5_handle_t *handle
)
```

Parameters

handle	Output	MD5 handler (work area)
--------	--------	-------------------------

Return Values

TSIP_SUCCESS:	Normal termination
---------------	--------------------

Description

The R_TSIP_Md5Init() function performs preparations for the execution of hash calculation and writes the result to the first parameter, handle. The parameter handle is used subsequently as a parameter by the R_TSIP_Md5Update() and R_TSIP_Md5Final() functions.

Reentrancy

Not supported.

4.2.8.5 R_TSIP_Md5Update

Format

```
#include "r_tsip_rx_if.h"
e_tsip_err_t R_TSIP_Md5Update(
    tsip_sha_md5_handle_t *handle,
    uint8_t *message,
    uint32_t message_length
)
```

Parameters

handle	Input/output	MD5 handler (work area)
message	Input	Message area
message_length	Input	Byte length of message

Return Values

TSIP_SUCCESS:	Normal termination
TSIP_ERR_RESOURCE_CONFLICT:	Occurrence of resource conflict because a hardware resource needed by the processing routine was in use by another processing routine
TSIP_ERR_PARAMETER:	Invalid handle input
TSIP_ERR_PROHIBIT_FUNCTION:	Invalid function called

Description

Using the handle specified by the first parameter, handle, the R_TSIP_Md5Update() function calculates a hash value based on the second parameter, message, and the third parameter, message_length, and writes the ongoing status to the first parameter, handle (the value of which can be fetched using R_TSIP_GetCurrentHashDigestValue()). After message input completes, call R_TSIP_Md5Final().

Reentrancy

Not supported.

4.2.8.6 R_TSIP_Md5Final

Format

```
#include "r_tsip_rx_if.h"
e_tsip_err_t R_TSIP_Sha1Final(
    tsip_sha_md5_handle_t *handle,
    uint8_t *digest,
    uint32_t *digest_length
)
```

Parameters

handle	Input	MD5 handler (work area)
digest	Output	Hash data area
digest_length	Output	Byte length of hash data (16 bytes)

Return Values

TSIP_SUCCESS:	Normal termination
TSIP_ERR_RESOURCE_CONFLICT:	Occurrence of resource conflict because a hardware resource needed by the processing routine was in use by another processing routine
TSIP_ERR_PARAMETER:	Invalid handle input
TSIP_ERR_PROHIBIT_FUNCTION:	Invalid function called

Description

Using the handle specified as the first parameter, handle, the R_TSIP_Md5Final() function writes the calculation result to the second parameter, digest, and writes the length of the calculation result to the third parameter, digest_length.

Reentrancy

Not supported.

4.2.8.7 R_TSIP_GetCurrentHashDigestValue

Format

```
#include "r_tsip_rx_if.h"
e_tsip_err_t R_TSIP_GetCurrentHashDigestValue(
    tsip_sha_md5_handle_t *handle,
    uint8_t *digest,
    uint32_t *digest_length
)
```

Parameters

handle	Input	SHA or MD5 handler (work area)
digest	Output	Hash value for current input data area
digest_length	Output	Hash value for current input data length (16, 20, or 32 bytes)

Return Values

TSIP_SUCCESS:	Normal termination
TSIP_ERR_PARAMETER:	Invalid handle input
TSIP_ERR_PROHIBIT_FUNCTION:	Invalid function called

Description

Using the handle specified as the parameter handle, this function outputs to the parameter digest the hash value for current input data after execution of an Update() function*1 and outputs to the parameter digest_length the data length.

Note: 1. R_TSIP_Sha1Update(), R_TSIP_Sha256Update(), or R_TSIP_Md5Update() function

Reentrancy

Not supported.

4.2.9 HMAC

4.2.9.1 R_TSIP_GenerateShaXXXHmacKeyIndex

Format

```
(1) #include "r_tsip_rx_if.h"
    e_tsip_err_t R_TSIP_GenerateSha1HmacKeyIndex (
        uint8_t *encrypted_provisioning_key,
        uint8_t *iv,
        uint8_t *encrypted_key,
        tsip_hmac_sha_key_index_t *key_index
    )
(2) #include "r_tsip_rx_if.h"
    e_tsip_err_t R_TSIP_GenerateSha256HmacKeyIndex (
        uint8_t *encrypted_provisioning_key,
        uint8_t *iv,
        uint8_t *encrypted_key,
        tsip_hmac_sha_key_index_t *key_index
    )
```

Parameters

encrypted_provisioning_key	Input	W-UFPK
iv	Input	Initialization vector when generating encrypted_key
encrypted_key	Input	Encrypted key encrypted using UFPK
key_index	Output	Wrapped key

Return Values

TSIP_SUCCESS:	Normal termination
TSIP_ERR_FAIL:	Occurrence of internal error
TSIP_ERR_RESOURCE_CONFLICT:	Occurrence of resource conflict because a hardware resource needed by the processing routine was in use by another processing routine

Description

This API outputs an SHA1-HMAC or SHA256-HMAC wrapped key.

Refer to 7.3.6, SHA-HMAC, for the format of the data encrypted using the UFPK input as encrypted_key.

Refer to 3.7.1, Key Injection and Updating, for an explanation of encrypted_provisioning_key, iv, and encrypted_key and how to use key_index.

Reentrancy

Not supported.

4.2.9.2 R_TSIP_UpdateShaXXXHmacKeyIndex

Format

- ```
(1) #include "r_tsip_rx_if.h"
 e_tsip_err_t R_TSIP_UpdateSha1HmacKeyIndex (
 uint8_t *iv,
 uint8_t *encrypted_key,
 tsip_hmac_sha_key_index_t *key_index
)

(2) #include "r_tsip_rx_if.h"
 e_tsip_err_t R_TSIP_UpdateSha256HmacKeyIndex (
 uint8_t *iv,
 uint8_t *encrypted_key,
 tsip_hmac_sha_key_index_t *key_index
)
```

#### Parameters

|               |        |                                                     |
|---------------|--------|-----------------------------------------------------|
| iv            | Input  | Initialization vector when generating encrypted_key |
| encrypted_key | Input  | Encrypted key encrypted using KUK                   |
| key_index     | Output | Wrapped key                                         |

#### Return Values

|                             |                                                                                                                                       |
|-----------------------------|---------------------------------------------------------------------------------------------------------------------------------------|
| TSIP_SUCCESS:               | Normal termination                                                                                                                    |
| TSIP_ERR_FAIL:              | Occurrence of internal error                                                                                                          |
| TSIP_ERR_RESOURCE_CONFLICT: | Occurrence of resource conflict because a hardware resource needed by the processing routine was in use by another processing routine |

#### Description

This API updates a SHA-HMAC wrapped key.

Refer to 7.3.6, SHA-HMAC for the format of the data encrypted using the KUK input as encrypted\_key.

Refer to 3.7.1, Key Injection and Updating, for an explanation of encrypted\_provisioning\_key, iv, and encrypted\_key and how to use key\_index.

#### Reentrancy

Not supported.

### 4.2.9.3 R\_TSIP\_ShaXXXHmacGenerateInit

#### Format

- ```
(1) #include "r_tsip_rx_if.h"
    e_tsip_err_t R_TSIP_Sha1HmacGenerateInit(
        tsip_hmac_sha_handle_t *handle,
        tsip_hmac_sha_key_index_t *key_index
    )
(2) #include "r_tsip_rx_if.h"
    e_tsip_err_t R_TSIP_Sha256HmacGenerateInit(
        tsip_hmac_sha_handle_t *handle,
        tsip_hmac_sha_key_index_t *key_index
    )
```

Parameters

handle	Output	SHA-HMAC handler (work area)
key_index	Input	Wrapped key

Return Values

TSIP_SUCCESS:	Normal termination
TSIP_ERR_RESOURCE_CONFLICT:	Occurrence of resource conflict because a hardware resource needed by the processing routine was in use by another processing routine
TSIP_ERR_KEY_SET:	Invalid wrapped key input

Description

The R_TSIP_ShaXXXHmacGenerateInit() function uses the second parameter, key_index, to perform preparations for the execution of SHA1-HMAC or SHA256-HMAC calculation and writes the result to the first parameter, handle. When using the TLS cooperation function, use the wrapped key generated by the R_TSIP_TlsGenerateSessionKey() function as key_index. The parameter handle is used subsequently as a parameter by the R_TSIP_ShaXXXHmacGenerateUpdate() and R_TSIP_ShaXXXHmacGenerateFinal() functions.

Refer to 3.7.1, Key Injection and Updating, for an explanation of how to generate key_index.

Reentrancy

Not supported.

4.2.9.4 R_TSIP_ShaXXXHmacGenerateUpdate

Format

```
(1) #include "r_tsip_rx_if.h"
    e_tsip_err_t R_TSIP_Sha1HmacGenerateUpdate(
        tsip_hmac_sha_handle_t *handle,
        uint8_t *message,
        uint32_t message_length
    )
(2) #include "r_tsip_rx_if.h"
    e_tsip_err_t R_TSIP_Sha256HmacGenerateUpdate(
        tsip_hmac_sha_handle_t *handle,
        uint8_t *message,
        uint32_t message_length
    )
```

Parameters

handle	Input/output	SHA-HMAC handler (work area)
message	Input	Message area
message_length	Input	Byte length of message

Return Values

TSIP_SUCCESS:	Normal termination
TSIP_ERR_PARAMETER:	Invalid handle input
TSIP_ERR_PROHIBIT_FUNCTION:	Invalid function called

Description

Using the handle specified by the first parameter, handle, the R_TSIP_ShaXXXHmacGenerateUpdate() function calculates a hash value based on the second parameter, message, and the third parameter, message_length, and writes the ongoing status to the first parameter, handle. After message input completes, call R_TSIP_ShaXXXHmacGenerateFinal().

Reentrancy

Not supported.

4.2.9.5 R_TSIP_ShaXXXHmacGenerateFinal

Format

```
(1) #include "r_tsip_rx_if.h"
    e_tsip_err_t R_TSIP_Sha1HmacGenerateFinal(
        tsip_hmac_sha_handle_t *handle,
        uint8_t *mac
    )
(2) #include "r_tsip_rx_if.h"
    e_tsip_err_t R_TSIP_Sha256HmacGenerateFinal(
        tsip_hmac_sha_handle_t *handle,
        uint8_t *mac
    )
```

Parameters

handle	Input	SHA-HMAC handler (work area)
mac	Output	HMAC area (1) SHA1-HMAC: 20 bytes (2) SHA256-HMAC: 32 bytes

Return Values

TSIP_SUCCESS:	Normal termination
TSIP_ERR_FAIL:	Occurrence of internal error
TSIP_ERR_PARAMETER:	Invalid handle input
TSIP_ERR_PROHIBIT_FUNCTION:	Invalid function called

Description

The R_TSIP_ShaXXXHmacGenerateFinal() function uses the handle specified as the first parameter, handle, and writes the calculation result to the second parameter, mac.

Reentrancy

Not supported.

4.2.9.6 R_TSIP_ShaXXXHmacVerifyInit

Format

- ```
(1) #include "r_tsip_rx_if.h"
 e_tsip_err_t R_TSIP_Sha1HmacVerifyInit(
 tsip_hmac_sha_handle_t *handle,
 tsip_hmac_sha_key_index_t *key_index
)
(2) #include "r_tsip_rx_if.h"
 e_tsip_err_t R_TSIP_Sha256HmacVerifyInit(
 tsip_hmac_sha_handle_t *handle,
 tsip_hmac_sha_key_index_t *key_index
)
```

##### Parameters

|           |        |                              |
|-----------|--------|------------------------------|
| handle    | Output | SHA-HMAC handler (work area) |
| key_index | Input  | Wrapped key                  |

##### Return Values

|                             |                                                                                                                                       |
|-----------------------------|---------------------------------------------------------------------------------------------------------------------------------------|
| TSIP_SUCCESS:               | Normal termination                                                                                                                    |
| TSIP_ERR_RESOURCE_CONFLICT: | Occurrence of resource conflict because a hardware resource needed by the processing routine was in use by another processing routine |
| TSIP_ERR_KEY_SET:           | Invalid wrapped key input                                                                                                             |

##### Description

The R\_TSIP\_ShaXXXHmacVerifyInit() function uses the first parameter, key\_index, to perform preparations for the execution of SHA1-HMAC or SHA256-HMAC calculation and writes the result to the first parameter, handle. When using the TLS cooperation function, use the wrapped key generated by the R\_TSIP\_TlsGenerateSessionKey() function as key\_index. The parameter handle is used subsequently as a parameter by the R\_TSIP\_ShaXXXHmacVerifyUpdate() and R\_TSIP\_ShaXXXHmacVerifyFinal() functions.

Refer to 3.7.1, Key Injection and Updating, for an explanation of how to generate key\_index.

##### Reentrancy

Not supported.

### 4.2.9.7 R\_TSIP\_ShaXXXHmacVerifyUpdate

#### Format

```
(1) #include "r_tsip_rx_if.h"
 e_tsip_err_t R_TSIP_Sha1HmacVerifyUpdate(
 tsip_hmac_sha_handle_t *handle,
 uint8_t *message,
 uint32_t message_length
)
(2) #include "r_tsip_rx_if.h"
 e_tsip_err_t R_TSIP_Sha256HmacVerifyUpdate(
 tsip_hmac_sha_handle_t *handle,
 uint8_t *message,
 uint32_t message_length
)
```

#### Parameters

|                |              |                              |
|----------------|--------------|------------------------------|
| handle         | Input/output | SHA-HMAC handler (work area) |
| message        | Input        | Message area                 |
| message_length | Input        | Byte length of message       |

#### Return Values

|                             |                         |
|-----------------------------|-------------------------|
| TSIP_SUCCESS:               | Normal termination      |
| TSIP_ERR_PARAMETER:         | Invalid handle input    |
| TSIP_ERR_PROHIBIT_FUNCTION: | Invalid function called |

#### Description

Using the handle specified by the first parameter, handle, the R\_TSIP\_ShaXXXHmacVerifyUpdate() function calculates a hash value based on the second parameter, message, and the third parameter, message\_length, and writes the ongoing status to the first parameter, handle. After message input completes, call R\_TSIP\_ShaXXXHmacVerifyFinal().

#### Reentrancy

Not supported.



### 4.2.9.8 R\_TSIP\_ShaXXXHmacVerifyFinal

#### Format

- ```
(1) #include "r_tsip_rx_if.h"
    e_tsip_err_t R_TSIP_Sha1HmacVerifyFinal(
        tsip_hmac_sha_handle_t *handle,
        uint8_t *mac,
        uint32_t mac_length
    )

(2) #include "r_tsip_rx_if.h"
    e_tsip_err_t R_TSIP_Sha256HmacVerifyFinal(
        tsip_hmac_sha_handle_t *handle,
        uint8_t *mac,
        uint32_t mac_length
    )
```

Parameters

handle	Input	SHA-HMAC handler (work area)
mac	Input	HMAC area
mac_length	Input	HMAC length

Return Values

TSIP_SUCCESS:	Normal termination
TSIP_ERR_FAIL:	Occurrence of internal error
TSIP_ERR_PARAMETER:	Invalid handle input
TSIP_ERR_PROHIBIT_FUNCTION:	Invalid function called

Description

Using the handle specified as the first parameter, handle, the R_TSIP_ShaXXXHmacVerifyFinal() function verifies the MAC value based on the second parameter, mac, and the third parameter, mac_length. The value of mac_length is specified in byte units. Input a value of 4 to 20 for SHA1-HMAC and 4 to 32 for SHA256-HMAC.

Reentrancy

Not supported.

4.2.10 DH

4.2.10.1 R_TSIP_Rsa2048DhKeyAgreement

Format

```
#include "r_tsip_rx_if.h"
e_tsip_err_t R_TSIP_Rsa2048DhKeyAgreement(
    tsip_aes_key_index_t *key_index,
    tsip_rsa2048_private_key_index_t *sender_private_key_index,
    uint8_t *message,
    uint8_t *receiver_modulus,
    uint8_t *sender_modulus
)
```

Parameters

key_index	Input	Wrapped key for AES-128 CMAC operation
sender_private_key_index	Input	Secret wrapped key for DH operation The secret key d included in the secret wrapped key is decrypted and used internally by the TSIP.
message	Input	Message (2048 bits) Set a value smaller than the prime number (d) included in sender_private_key_index.
receiver_modulus	Input	Modular exponentiation result calculated by the receiver + MAC 2048-bit modular exponentiation result 128 bits
sender_modulus	Output	Modular exponentiation result calculated by the sender + MAC 2048-bit modular exponentiation result 128 bits

Return Values

TSIP_SUCCESS:	Normal termination
TSIP_ERR_KEY_SET:	Invalid wrapped key input
TSIP_ERR_RESOURCE_CONFLICT:	Occurrence of resource conflict because a hardware resource needed by the processing routine was in use by another processing routine
TSIP_ERR_FAIL:	Occurrence of internal error

Description

Performs a DH operation using RSA-2048.

The sender is the TSIP and the receiver is the other key exchange party.

Reentrancy

Not supported.

4.2.11 ECDH

4.2.11.1 R_TSIP_EcdhP256Init

Format

```
#include "r_tsip_rx_if.h"
e_tsip_err_t R_TSIP_EcdhP256Init (
    tsip_ecdh_handle_t *handle,
    uint32_t key_type,
    uint32_t use_key_id
)
```

Parameters

handle	Output	ECDH handler (work area)
key_type	Input	Key exchange type 0: ECDHE 1: ECDH
user_key_id	Input	0: key_id not used 1: key_id used

Return Values

TSIP_SUCCESS:	Normal termination
TSIP_ERR_PARAMETER:	Invalid input data

Description

The R_TSIP_EcdhP256Init() function performs preparations for the execution of ECDH key exchange calculation and writes the result to the first parameter, handle. The parameter handle is used subsequently as a parameter by the R_TSIP_EcdhP256ReadPublicKey(), R_TSIP_EcdhP256MakePublicKey(), R_TSIP_EcdhP256CalculateSharedSecretIndex(), R_TSIP_EcdhP256KeyDerivation(), and R_TSIP_EcdhP256SshKeyDerivation() functions.

Use the second parameter, key_type, to select the type of ECDH key exchange. For ECDHE, the R_TSIP_EcdhP256MakePublicKey() function uses the TSIP's random number generation functionality to generate an ECC P-256 key pair. For ECDH, keys injected beforehand are used for key exchange.

Input 1 as the third parameter, use_key_id, to use key_id when key exchange is performed. The key_id parameter is for applications conforming to the DLMS/COSEM standard for smart meters.

Refer to 3.7.1, Key Injection and Updating, for an explanation of how to generate key_index.

Reentrancy

Not supported.

4.2.11.3 R_TSIP_EcdhP256MakePublicKey

Format

```
#include "r_tsip_rx_if.h"
e_tsip_err_t R_TSIP_EcdhP256MakePublicKey (
    tsip_ecdh_handle_t *handle,
    tsip_ecc_public_key_index_t *public_key_index,
    tsip_ecc_private_key_index_t *private_key_index,
    uint8_t *public_key,
    tsip_ecdsa_byte_data_t *signature,
    tsip_ecc_private_key_index_t *key_index
)
```

Parameters

Parameter	Direction	Description
handle	Input/output	ECDH handler (work area) When using key_id, input handle->key_id after running R_TSIP_EcdhP256Init().
public_key_index	Input	For ECDHE, input a null pointer. For ECDH, input an ECC P-256 public wrapped key.
private_key_index	Input	ECC P-256 secret key for signature generation
public_key	Output	User public key (512 bits) for key exchange When using key_id, key_id (8 bits) public key (512 bits) 0 padding (24 bits)
signature ->pdata	Output	Signature text storage destination information : Specifies pointer to array containing signature text. Signature format: signature r (256 bits) signature s (256 bits)"
->data_length		: Data length (byte units)
key_index	Output	For ECDHE, a secret wrapped key generated from a random number. Not output for ECDH.

Return Values

TSIP_SUCCESS:	Normal termination
TSIP_ERR_RESOURCE_CONFLICT:	Occurrence of resource conflict because a hardware resource needed by the processing routine was in use by another processing routine
TSIP_ERR_KEY_SET:	Invalid wrapped key input
TSIP_ERR_FAIL:	Occurrence of internal error
TSIP_ERR_PARAMETER:	Invalid handle input
TSIP_ERR_PROHIBIT_FUNCTION:	Invalid function called

Description

The `R_TSIP_EcdhP256MakePublicKey()` function generates an ephemeral key pair and calculates a signature using a key that is either generated or input. The generated signature is for applications conforming to the DLMS/COSEM standard for smart meters.

If ECDHE is specified by the `key_type` parameter of the `R_TSIP_EcdhP256Init()` function, the TSIP's random number generation functionality is used to generate an ECC P-256 key pair. The public key is output to `public_key` and the secret key is output to `key_index`.

If ECDH is specified by the `key_type` parameter of the `R_TSIP_EcdhP256Init()` function, the public key input as `public_key_index` is output to `public_key` and nothing is output to `key_index`.

The value of the first parameter, `handle`, is used subsequently as a parameter by the `R_TSIP_EcdhP256CalculateSharedSecretIndex()` function.

The `R_TSIP_EcdhP256CalculateSharedSecretIndex()` function uses `key_index` as input to calculate Z.

Refer to 3.7.1, Key Injection and Updating, for an explanation of how to generate `key_index`.

Reentrancy

Not supported.

4.2.11.4 R_TSIP_EcdhP256CalculateSharedSecretIndex

Format

```
#include "r_tsip_rx_if.h"
e_tsip_err_t R_TSIP_EcdhP256CalculateSharedSecretIndex (
    tsip_ecdh_handle_t *handle,
    tsip_ecc_public_key_index_t *public_key_index,
    tsip_ecc_private_key_index_t *private_key_index,
    tsip_ecdh_key_index_t *shared_secret_index
)
```

Parameters

Parameter	Direction	Description
handle	Input/output	ECDH handler (work area)
public_key_index	Input	Public wrapped key whose signature was verified by R_TSIP_EcdhP256ReadPublicKey()
private_key_index	Input	Secret wrapped key
shared_secret_index	Output	Wrapped key of shared secret Z calculated during ECDH key exchange

Return Values

TSIP_SUCCESS:	Normal termination
TSIP_ERR_RESOURCE_CONFLICT:	Occurrence of resource conflict because a hardware resource needed by the processing routine was in use by another processing routine
TSIP_ERR_KEY_SET:	Invalid wrapped key input
TSIP_ERR_FAIL:	Occurrence of internal error
TSIP_ERR_PARAMETER:	Invalid handle input
TSIP_ERR_PROHIBIT_FUNCTION:	Invalid function called

Description

The R_TSIP_EcdhP256CalculateSharedSecretIndex() function uses the ECDH key exchange algorithm to output the wrapped key of the shared secret Z derived from the public key of the other key exchange party and your own secret key.

As the second parameter, public_key_index, input the key_index, public wrapped key whose signature was verified by R_TSIP_EcdhP256ReadPublicKey() function.

If the value of the key_type parameter of R_TSIP_EcdhP256Init() function is 0, input the key_index, secret wrapped key generated from a random number by R_TSIP_EcdhP256MakePublicKey() function as the third parameter, private_key_index, and if the value of the key_type is other than 0, input the secret wrapped key corresponding to the second parameter of R_TSIP_EcdhP256MakePublicKey() as the third parameter, private_key_index.

The R_TSIP_EcdhP256KeyDerivation() or R_TSIP_EcdhP256SshKeyDerivation() function subsequently uses shared_secret_index as key material for outputting the wrapped key.

Refer to 3.7.1, Key Injection and Updating, for an explanation of how to generate key_index.

Reentrancy

Not supported.

4.2.11.5 R_TSIP_EcdhP256KeyDerivation

Format

```
#include "r_tsip_rx_if.h"
e_tsip_err_t R_TSIP_EcdhP256KeyDerivation (
    tsip_ecdh_handle_t *handle,
    tsip_ecdh_key_index_t *shared_secret_index,
    uint32_t key_type,
    uint32_t kdf_type,
    uint8_t *other_info,
    uint32_t other_info_length,
    tsip_hmac_sha_key_index_t *salt_key_index,
    tsip_aes_key_index_t *key_index
)
```

Parameters

handle	Input/output	ECDH handler (work area)
shared_secret_index	Input	Z wrapped key calculated by R_TSIP_EcdhP256CalculateSharedSecretIndex
key_type	Input	Derived key type 0: AES-128 1: AES-256 2: SHA256-HMAC
kdf_type	Input	Algorithm used for key derivation calculation 0: SHA256 1: SHA256-HMAC
other_info	Input	Additional data used for key derivation calculation AlgorithmID PartyUInfo PartyVInf
other_info_length	Input	Byte length of other_info (147 or fewer byte units)
salt_key_index	Input	Salt wrapped key (Input NULL when kdf_type is 0.)
key_index	Output	Wrapped key index corresponding to key_type When the value of key_type is 2, an SHA256-HMAC wrapped key is output. The value of key_index can be specified by casting the start address of the area reserved beforehand by the tsip_hmac_sha_key_index_t type with the (tsip_aes_key_index_t*) type.

Return Values

TSIP_SUCCESS:	Normal termination
TSIP_ERR_RESOURCE_CONFLICT:	Occurrence of resource conflict because a hardware resource needed by the processing routine was in use by another processing routine
TSIP_ERR_KEY_SET:	Invalid wrapped key input
TSIP_ERR_PARAMETER:	Invalid handle input
TSIP_ERR_PROHIBIT_FUNCTION:	Invalid function called

Description

The `R_TSIP_EcdhP256KeyDerivation()` function uses the shared secret Z (shared_secret_index) calculated by the `R_TSIP_EcdhP256CalculateSharedSecretIndex()` function as key material to derive the wrapped key specified by the third parameter, `key_type`. The key derivation algorithm is one-step key derivation as defined in NIST SP800-56C. Any of AES-128, AES-256 or SHA-256 HMAC is specified by the fourth parameter, `kdf_type`. When SHA-256 HMAC is specified, the wrapped key output by the `R_TSIP_GenerateSha256HmacKeyIndex()` function or `R_TSIP_UpdateSha256HmacKeyIndex()` function is specified as the seventh parameter, `salt_key_index`.

Enter a fixed value for deriving a key shared with the other key exchange party as the fifth parameter, `other_info`.

A key index corresponding to `key_type` is output as the eighth parameter, `key_index`. The correspondences between the types of derived key indexes and the functions with which they can be used as listed below.

Derived Wrapped Key	Compatible Functions
AES-128	All AES-128 Init functions and <code>R_TSIP_Aes128KeyUnwrap()</code>
AES-256	All AES-256 Init functions and <code>R_TSIP_Aes256KeyUnwrap()</code>
SHA256-HMAC	<code>R_TSIP_Sha256HmacGenerateInit()</code> and <code>R_TSIP_Sha256HmacVerifyInit()</code>

Reentrancy

Not supported.

4.2.11.6 R_TSIP_EcdheP512KeyAgreement

Format

```
#include "r_tsip_rx_if.h"
e_tsip_err_t R_TSIP_EcdheP512KeyAgreement(
    tsip_aes_key_index_t *key_index,
    uint8_t *receiver_public_key,
    uint8_t *sender_public_key
)
```

Parameters

key_index	Input	Wrapped key for AES-128 CMAC operation
receiver_public_key	Input	Brainpool P512r1 public key of receiver Q (1024 bits) MAC (128 bits)
sender_public_key	Output	Brainpool P512r1 public key of sender Q (1024 bits) MAC (128 bits)

Return Values

TSIP_SUCCESS:	Normal termination
TSIP_ERR_RESOURCE_CONFLICT:	Occurrence of resource conflict because a hardware resource needed by the processing routine was in use by another processing routine
TSIP_ERR_KEY_SET:	Invalid wrapped key input
TSIP_ERR_FAIL:	Occurrence of internal error

Description

Performs an ECDHE operation after generation of a key pair using Brainpool P512r1.

The sender is the TSIP and the receiver is the other key exchange party.

Reentrancy

Not supported.

4.2.11.7 R_TSIP_EcdhP256SshKeyDerivation

Format

```
#include "r_tsip_rx_if.h"
e_tsip_err_t R_TSIP_EcdhP256SshKeyDerivation (
    tsip_ecdh_handle_t *handle,
    tsip_ecdh_key_index_t *shared_secret_index,
    uint32_t key_type,
    uint8_t *other_info,
    uint32_t other_info_length,
    tsip_aes_key_index_t *client_write_key_index,
    tsip_aes_key_index_t *server_write_key_index,
    tsip_aes_key_index_t *client_mac_key_index,
    tsip_aes_key_index_t *server_mac_key_index,
    uint8_t *client_iv,
    uint8_t *server_iv
)
```

Parameters

handle	Input/output	ECDH handler (work area)
shared_secret_index	Input	Z wrapped key calculated by R_TSIP_EcdhP256CalculateSharedSecretIndex
key_type	Input	Derived key type 0: AES-128 1: AES-256 2: SHA256-HMAC
other_info	Input	Additional data used for key derivation calculation V_C V_S I_C I_S K_S e f
other_info_length	Input	Byte length of other_info (2 ²⁴ -1 or fewer byte units)
client_write_key_index	Output	Wrapped key to use in encryption by client side This output is enabled when key_type = 0,1
server_write_key_index	Output	Wrapped key to use in encryption by server side This output is enabled when key_type = 0,1
client_mac_key_index	Output	Wrapped key to generate integrity data by client side Wrapped key index corresponding to key_type When the value of key_type is 2, an SHA256-HMAC wrapped key is output. The value can be specified by casting the start address of the area reserved beforehand by the tsip_hmac_sha_key_index_t type with the (tsip_aes_key_index_t*) type.
server_mac_key_index	Output	Wrapped key to generate integrity data by server side Wrapped key index corresponding to key_type When the value of key_type is 2, an SHA256-HMAC wrapped key is output. The value can be specified by casting the start address of the area reserved beforehand by the tsip_hmac_sha_key_index_t type with the (tsip_aes_key_index_t*) type.

client_iv	Output	Initial vector to use by client side This output is enabled when key_type = 0,1
server_iv	Output	Initial vector to use by server side This output is enabled when key_type = 0,1

Return Values

TSIP_SUCCESS:	Normal termination
TSIP_ERR_FAIL:	Internal error
TSIP_ERR_RESOURCE_CONFLICT:	Occurrence of resource conflict because a hardware resource needed by the processing routine was in use by another processing routine
TSIP_ERR_KEY_SET:	Invalid wrapped key input
TSIP_ERR_PARAMETER:	Invalid handle input
TSIP_ERR_PROHIBIT_FUNCTION:	Invalid function called

Description

The R_TSIP_EcdhP256SshKeyDerivation() function uses the shared secret Z (shared_secret_index) calculated by the R_TSIP_EcdhP256CalculateSharedSecretIndex() function as key material to derive the wrapped key specified by the third parameter, key_type. The key derivation algorithm is as defined in RFC4253.

Enter a fixed value for deriving a key shared with the other key exchange party as the fifth parameter, other_info. And enter the byte size to the fifth parameter, other_info_length.

Wrapped keys and initial vectors corresponding to key_type is output as from the sixth parameter to the eleventh parameter. The sixth parameter, client_write_key_index, is a wrapped key to use in encryption by client side. The seventh parameter, server_write_key_index, is a wrapped key to use in encryption by server side. The eighth parameter, client_mac_key_index, is a wrapped key to generate integrity data by client side. The ninth parameter, server_mac_key_index, is a wrapped key to generate integrity data by server side. The tenth parameter, client_iv, is an initial vector to use by client side. And the eleventh parameter, client_iv, is an initial vector to use by server side.

Reentrancy

Not supported.

4.2.12 Key Wrap

4.2.12.1 R_TSIP_AesXXXKeyWrap

Format

```
(1) #include "r_tsip_rx_if.h"
    e_tsip_err_t R_TSIP_Aes128KeyWrap (
        tsip_aes_key_index_t *wrap_key_index,
        uint32_t target_key_type,
        tsip_aes_key_index_t *target_key_index,
        uint32_t *wrapped_key
    )
(2) #include "r_tsip_rx_if.h"
    e_tsip_err_t R_TSIP_Aes256KeyWrap (
        tsip_aes_key_index_t *wrap_key_index,
        uint32_t target_key_type,
        tsip_aes_key_index_t *target_key_index,
        uint32_t *wrapped_key
    )
```

Parameters

wrap_key_index	Input	(1) AES-128 wrapped key used for wrapping (2) AES-256 wrapped key used for wrapping
target_key_type	Input	Selects key to be wrapped. 0 (R_TSIP_KEYWRAP_AES128): AES-128 2 (R_TSIP_KEYWRAP_AES256): AES-256
target_key_index	Input	Wrapped key to be wrapped target_key_type 0: 13 word size target_key_type 2: 17 word size
wrapped_key	Output	Key which is wrapped target_key_type 0: 6 word size target_key_type 2: 10 word size

Return Values

TSIP_SUCCESS:	Normal termination
TSIP_ERR_RESOURCE_CONFLICT:	Occurrence of resource conflict because a hardware resource needed by the processing routine was in use by another processing routine
TSIP_ERR_KEY_SET	Invalid wrapped key input
TSIP_ERR_FAIL	Occurrence of internal error

Description

The R_TSIP_AesXXXKeyWrap() function uses the first parameter, wrap_key_index, to wrap target_key_index, which is input as the third parameter. The wrapped key is written to the fourth parameter, wrapped_key. The processing conforms to the RFC 3394 wrapping algorithm. Use the second parameter, target_key_type, to select the key to be wrapped.

Use R_TSIP_Aes128KeyWrap() when the key length used for wrapping is 128 bits, and use R_TSIP_Aes256KeyWrap() when the key length is 256 bits.

Reentrancy

Not supported.

4.2.12.2 R_TSIP_AesXXXKeyUnwrap

Format

```
(1) #include "r_tsip_rx_if.h"
    e_tsip_err_t R_TSIP_Aes128KeyUnwrap (
        tsip_aes_key_index_t *wrap_key_index,
        uint32_t target_key_type,
        uint32_t *wrapped_key,
        tsip_aes_key_index_t *target_key_index
    )
(2) #include "r_tsip_rx_if.h"
    e_tsip_err_t R_TSIP_Aes256KeyUnwrap (
        tsip_aes_key_index_t *wrap_key_index,
        uint32_t target_key_type,
        uint32_t *wrapped_key,
        tsip_aes_key_index_t *target_key_index
    )
```

Parameters

wrap_key_index	Input	(1) AES-128 wrapped key used for unwrapping (2) AES-256 wrapped key used for unwrapping
target_key_type	Input	Selects key to be unwrapped. 0 (R_TSIP_KEYWRAP_AES128): AES-128 2 (R_TSIP_KEYWRAP_AES256): AES-256
wrapped_key	Input	Key which is wrapped target_key_type 0: 6 word size target_key_type 2: 10 word size
target_key_index	Output	Unwrapped Key target_key_type 0: 13 word size target_key_type 2: 17 word size

Return Values

TSIP_SUCCESS:	Normal termination
TSIP_ERR_RESOURCE_CONFLICT:	Occurrence of resource conflict because a hardware resource needed by the processing routine was in use by another processing routine
TSIP_ERR_KEY_SET	Invalid wrapped key input
TSIP_ERR_FAIL	Occurrence of internal error

Description

The R_TSIP_AesXXXKeyUnwrap() function uses the first parameter, wrap_key_index, to unwrap wrapped_key, which is input as the third parameter. The unwrapped key is written to the fourth parameter, target_key_index. The processing conforms to the RFC 3394 unwrapping algorithm. Use the second parameter, target_key_type, to select the key to be unwrapped.

Use R_TSIP_Aes128KeyUnwrap() when the key length used for unwrapping is 128 bits, and use R_TSIP_Aes256KeyUnwrap() when the key length is 256 bits.

Reentrancy

Not supported.

4.2.13 TLS (Common to TLS 1.2 and TLS 1.3)

In this section, (1) means for Client and (2) means for Server in the columns of Format or other.

4.2.13.1 R_TSIP_GenerateTlsXXRsaPublicKeyIndex

Format

```
(1) #include "r_tsip_rx_if.h"
    e_tsip_err_t R_TSIP_GenerateTlsRsaPublicKeyIndex(
        uint8_t *encrypted_provisioning_key,
        uint8_t *iv,
        uint8_t *encrypted_key,
        tsip_tls_ca_certification_public_key_index_t *key_index
    )
(2) #include "r_tsip_rx_if.h"
    e_tsip_err_t R_TSIP_GenerateTlsSVRsaPublicKeyIndex(
        uint8_t *encrypted_provisioning_key,
        uint8_t *iv,
        uint8_t *encrypted_key,
        tsip_tls_ca_certification_public_key_index_t *key_index
    )
```

Parameters

encrypted_provisioning_key	Input	W-UFPK
iv	Input	Initialization vector when generating encrypted_key
encrypted_key	Input	Encrypted key encrypted using UFPK
key_index	Output	2048-bit RSA public wrapped key for use by TLS cooperation function Use this value as the key_index parameter input to R_TSIP_TlsRegisterCaCertificationPublicKeyIndex When the wrapped key for client is generated with (1), it is possible to use this value as the key_index_1 parameter input to R_TSIP_Open.

Return Values

TSIP_SUCCESS	Normal termination
TSIP_ERR_FAIL	Occurrence of internal error
TSIP_ERR_RESOURCE_CONFLICT	Occurrence of resource conflict because a hardware resource needed by the processing routine was in use by another processing routine

Description

This API outputs an RSA 2048-bit public wrapped key for use by the TLS cooperation function. Refer to 7.3.4.2(1) for the format of the data encrypted using the UFPK input as encrypted_key. Ensure that the areas allocated for encrypted_key and key_index do not overlap.

Refer to 3.7.1, Key Injection and Updating, for an explanation of encrypted_provisioning_key, iv, and encrypted_key and how to use key_index.

Reentrancy

Not supported.

4.2.13.2 R_TSIP_UpdateTlsXXRsaPublicKeyIndex

Format

```
(1) #include "r_tsip_rx_if.h"
    e_tsip_err_t R_TSIP_UpdateTlsRsaPublicKeyKeyIndex(
        uint8_t *iv,
        uint8_t *encrypted_key,
        tsip_tls_ca_public_key_index_t *key_index
    )
(2) #include "r_tsip_rx_if.h"
    e_tsip_err_t R_TSIP_UpdateTlsSVRsaPublicKeyKeyIndex(
        uint8_t *iv,
        uint8_t *encrypted_key,
        tsip_tls_ca_public_key_index_t *key_index
    )
```

Parameters

Parameter	Direction	Description
iv	Input	Initialization vector when generating encrypted_key
encrypted_key	Input	Encrypted key encrypted using KUK
key_index	Output	2048-bit RSA public wrapped key for use by TLS cooperation function Use this value as the key_index parameter input to R_TSIP_TlsRegistaeCaCertificationPublicKeyIndex When the wrapped key for client is generated with (1), it is possible to use this value as the key_index_1 parameter input to R_TSIP_Open.

Return Values

TSIP_SUCCESS	Normal termination
TSIP_ERR_FAIL	Occurrence of internal error
TSIP_ERR_RESOURCE_CONFLICT	Occurrence of resource conflict because a hardware resource needed by the processing routine was in use by another processing routine

Description

This API updates a 2048-bit RSA public wrapped key for use by the TLS cooperation function.

Refer to 7.3.4.2(1) for the format of the data encrypted using the KUK input as encrypted_key.

Ensure that the areas allocated for encrypted_key and key_index do not overlap.

Refer to 3.7.1, Key Injection and Updating, for an explanation of encrypted_provisioning_key, iv, and encrypted_key and how to use key_index.

Reentrancy

Not supported.

4.2.13.3 R_TSIP_TlsRegisterCaCertificationPublicKeyIndex

Format

```
#include "r_tsip_rx_if.h"
e_tsip_err_t R_TSIP_TlsRegisterCaCertificationPublicKeyIndex(
    e_tsip_tls_mode_t mode,
    tsip_tls_ca_certification_public_key_index_t *key_index
)
```

Parameters

mode	Input	Entity type to use registering public key TSIP_TLS_MODE_CLIENT: Client, TSIP_TLS_MODE_SERVER: Server
key_index	Input	2048-bit RSA public wrapped key for use by TLS cooperation function Use the value of key_index output by R_TSIP_GenerateTlsRsaPublicKeyIndex, R_TSIP_UpdateTlsRsaPublicKeyIndex, R_TSIP_GenerateTlsSVRsaPublicKeyIndex or R_TSIP_UpdateTlsSVRsaPublicKeyIndex.

Return Values

TSIP_SUCCESS:	Normal termination
TSIP_ERR_KEY_SET:	Invalid wrapped key input

Description

This API registers the public key for use by the TLS cooperation function.

The public key for Client can be registered by using R_TSIP_Open() function.

Reentrancy

Not supported.

4.2.13.4 R_TSIP_TlsXXRootCertificateVerification

Format

```
(1) #include "r_tsip_rx_if.h"
    e_tsip_err_t R_TSIP_TlsRootCertificateVerification(
        uint32_t *public_key_type,
        uint8_t *certificate,
        uint32_t certificate_length,
        uint32_t public_key_n_start_position,
        uint32_t public_key_n_end_position,
        uint32_t public_key_e_start_position,
        uint32_t public_key_e_end_position,
        uint8_t *signature,
        uint32_t *encrypted_root_public_key
    )

(2) #include "r_tsip_rx_if.h"
    e_tsip_err_t R_TSIP_TlsSVRootCertificateVerification(
        uint32_t *public_key_type,
        uint8_t *certificate,
        uint32_t certificate_length,
        uint32_t public_key_n_start_position,
        uint32_t public_key_n_end_position,
        uint32_t public_key_e_start_position,
        uint32_t public_key_e_end_position,
        uint8_t *signature,
        uint32_t *encrypted_root_public_key
    )
```

Parameters

public_key_type	Input	Public key type included in certificate 0: RSA 2048-bit, 2: ECC P-256
certificate	Input	Root CA certificate bundle (DER format)
certificate_length	Input	Byte length of root CA certificate bundle Maximum size is 2 ³¹ -1 byte.
public_key_n_start_position	Input	Public key start byte position relative to address specified by parameter certificate public_key_type 0: n, 2: Qx
public_key_n_end_position	Input	Public key end byte position relative to address specified by parameter certificate public_key_type 0: n, 2: Qx
public_key_e_start_position	Input	Public key start byte position relative to address specified by parameter certificate public_key_type 0: e, 2: Qy
public_key_e_end_position	Input	Public key end byte position relative to address specified by parameter certificate public_key_type 0: e, 2: Qy
signature	Input	Signature data for root CA certificate bundle The signature data size is 256 bytes. The signature format is "RSA2048 PSS with SHA256."

encrypted_root_public_key	Output	Encrypted ECDSA P256 or RSA-2048 public key Use this value as the encrypted_input_public_key parameter input to R_TSIP_TlsXXCertificateVerification or R_TSIP_TlsXXCertificateVerificationExtension. If public_key_type is 0, 560 bytes are output, and if public_key_type is 2, 96 bytes are output.
---------------------------	--------	---

Return Values

TSIP_SUCCESS:	Normal termination
TSIP_ERR_FAIL:	Occurrence of internal error
TSIP_ERR_RESOURCE_CONFLICT:	Occurrence of resource conflict because a hardware resource needed by the processing routine was in use by another processing routine

Description

This API verifies a root CA certificate bundle for use by the TLS cooperation function.

Reentrancy

Not supported.

4.2.13.5 R_TSIP_TlsXXCertificateVerification

Format

```
(1) #include "r_tsip_rx_if.h"
    e_tsip_err_t R_TSIP_TlsCertificateVerification(
        uint32_t *public_key_type,
        uint32_t *encrypted_input_public_key,
        uint8_t *certificate,
        uint32_t certificate_length,
        uint8_t *signature,
        uint32_t public_key_n_start_position,
        uint32_t public_key_n_end_position,
        uint32_t public_key_e_start_position,
        uint32_t public_key_e_end_position,
        uint32_t *encrypted_output_public_key
    )

(2) #include "r_tsip_rx_if.h"
    e_tsip_err_t R_TSIP_TlsSVCertificateVerification(
        uint32_t *public_key_type,
        uint32_t *encrypted_input_public_key,
        uint8_t *certificate,
        uint32_t certificate_length,
        uint8_t *signature,
        uint32_t public_key_n_start_position,
        uint32_t public_key_n_end_position,
        uint32_t public_key_e_start_position,
        uint32_t public_key_e_end_position,
        uint32_t *encrypted_output_public_key
    )
```

Parameters

public_key_type	Input	Public key type included in certificate 0: RSA 2048-bit (for sha256WithRsaEncryption), 1: RSA 4096-bit (for sha256WithRsaEncryption), 2: ECC P-256 (for ecdsa-with-SHA256), 3: RSA 2048-bit (for RSASSA-PSS)
encrypted_input_public_key	Input	Encrypted public key Use the value of encrypted_root_public_key output by R_TSIP_TlsXXRootCertificateVerification or the value of encrypted_output_public_key output by R_TSIP_TlsXXCertificateVerification or R_TSIP_TlsXXCertificateVerificationExtension. Data size public_key_type 0, 1, or 3: 140 words (560 bytes), 2: 24 words (96 bytes)
certificate	Input	Certificate bundle (DER format)
certificate_length	Input	Byte length of certificate bundle Maximum size is 2 ³¹ -1 byte.

signature	Input	Signature data for certificate bundle public_key_type: 0 The data size is 256 bytes. Signature algorithm is sha256WithRSAEncryption public_key_type: 1 The data size is 512 bytes. Signature algorithm is sha256WithRSAEncryption public_key_type: 2 The data size is 64 bytes “r (256 bits) s (256 bits)” Signature algorithm is ecdsa-with-SHA256 public_key_type: 3 The data size is 256 bytes. Signature algorithm is RSASSA-PSS {sha256, mgf1SHA256, 0x20, trailerFieldBC}
public_key_n_start_position	Input	Public key start byte position relative to address specified by parameter certificate public_key_type 0, 1, or 3: n, 2: Qx
public_key_n_end_position	Input	Public key end byte position relative to address specified by parameter certificate public_key_type 0, 1, or 3: n, 2: Qx
public_key_e_start_position	Input	Public key start byte position relative to address specified by parameter certificate public_key_type 0, 1, or 3: e, 2: Qy
public_key_e_end_position	Input	Public key end byte position relative to address specified by parameter certificate public_key_type 0, 1, or 3: e, 2: Qy
encrypted_output_public_key	Output	Encrypted public key Use this value as the encrypted_input_public_key parameter input to R_TSIP_TIsXXCertificateVerification or R_TSIP_TIsXXCertificateVerificationExtension, or as the encrypted_public_key parameter input to R_TSIP_TIsEncryptPreMasterSecretWithRsa2048PublicKey or R_TSIP_TIsServersEphemeralEcdhPublicKeyRetrives. However, it can be used only with R_TSIP_TIsXXCertificateVerification or R_TSIP_TIsXXCertificateVerificationExtension when public_key_type = 1 is selected. Data size public_key_type 0, 1, or 3: 140 words (560 bytes), 2: 24 words (96 bytes)

Return Values

TSIP_SUCCESS:	Normal termination
TSIP_ERR_FAIL:	Occurrence of internal error
TSIP_ERR_RESOURCE_CONFLICT:	Occurrence of resource conflict because a hardware resource needed by the processing routine was in use by another processing routine

Description

This API verifies the signature of a server certificate or intermediate certificate used by the TLS cooperation function.

This API can be used for same purpose as the `R_TSIP_TlsXXCertificateVerificationExtension()` function, but make sure to use this function when the algorithm of the key used for signature verification is the same as the algorithm used to obtain the key from the certificate.

Reentrancy

Not supported.

4.2.13.6 R_TSIP_TIsXXCertificateVerificationExtension

Format

- ```
(1) #include "r_tsip_rx_if.h"
 e_tsip_err_t R_TSIP_TIsCertificateVerificationExtension(
 uint32_t *public_key_type,
 uint32_t *public_key_output_type,
 uint32_t *encrypted_input_public_key,
 uint8_t *certificate,
 uint32_t certificate_length,
 uint8_t *signature,
 uint32_t public_key_n_start_position,
 uint32_t public_key_n_end_position,
 uint32_t public_key_e_start_position,
 uint32_t public_key_e_end_position,
 uint32_t *encrypted_output_public_key
)

(2) #include "r_tsip_rx_if.h"
 e_tsip_err_t R_TSIP_TIsSVCertificateVerificationExtension(
 uint32_t *public_key_type,
 uint32_t *public_key_output_type,
 uint32_t *encrypted_input_public_key,
 uint8_t *certificate,
 uint32_t certificate_length,
 uint8_t *signature,
 uint32_t public_key_n_start_position,
 uint32_t public_key_n_end_position,
 uint32_t public_key_e_start_position,
 uint32_t public_key_e_end_position,
 uint32_t *encrypted_output_public_key
)
```

#### Parameters

|                            |       |                                                                                                                                                                                                                                                                                                                                                              |
|----------------------------|-------|--------------------------------------------------------------------------------------------------------------------------------------------------------------------------------------------------------------------------------------------------------------------------------------------------------------------------------------------------------------|
| public_key_type            | Input | Type of public key included in input certificate<br>0: RSA 2048-bit (for sha256WithRsaEncryption),<br>1: RSA 4096-bit (for sha256WithRsaEncryption),<br>2: ECC P-256 (ecdsa-with-SHA256),<br>3: RSA 2048-bit (for RSASSA-PSS)                                                                                                                                |
| public_key_output_type     | Input | Type of public key output from certificate<br>0: RSA 2048-bit (for sha256WithRsaEncryption),<br>1: RSA 4096-bit (for sha256WithRsaEncryption),<br>2: ECC P-256 (ecdsa-with-SHA256),<br>3: RSA 2048-bit (for RSASSA-PSS)                                                                                                                                      |
| encrypted_input_public_key | Input | Encrypted public key<br>Use the value of encrypted_root_public_key output by R_TSIP_TIsXXRootCertificateVerification or the value of encrypted_output_public_key output by R_TSIP_TIsXXCertificateVerification or R_TSIP_TIsXXCertificateVerificationExtension.<br>Data size<br>public_key_type 0, 1, or 3: 140 words (560 bytes),<br>2: 24 words (96 bytes) |
| certificate                | Input | Certificate bundle (DER format)                                                                                                                                                                                                                                                                                                                              |

## RX Family TSIP (Trusted Secure IP) Module Firmware Integration Technology

---

|                             |        |                                                                                                                                                                                                                                                                                                                                                                                                                                                                                                                                                                                                         |
|-----------------------------|--------|---------------------------------------------------------------------------------------------------------------------------------------------------------------------------------------------------------------------------------------------------------------------------------------------------------------------------------------------------------------------------------------------------------------------------------------------------------------------------------------------------------------------------------------------------------------------------------------------------------|
| certificate_length          | Input  | Byte length of certificate bundle<br>Maximum size is 2 <sup>31</sup> -1 byte.                                                                                                                                                                                                                                                                                                                                                                                                                                                                                                                           |
| signature                   | Input  | Signature data for certificate bundle<br>public_key_type: 0<br>The data size is 256 bytes.<br>Signature algorithm is sha256WithRSAEncryption<br>public_key_type: 1<br>The data size is 512 bytes<br>Signature algorithm is sha256WithRSAEncryption<br>public_key_type: 2<br>The data size is 64 bytes “r (256 bits)    s (256 bits)”<br>Signature algorithm is ecdsa-with-SHA256<br>public_key_type: 3<br>The data size is 256 bytes.<br>Signature algorithm is RSASSA-PSS<br>{sha256, mgf1SHA256, 0x20, trailerFieldBC}                                                                                |
| public_key_n_start_position | Input  | Public key start byte position relative to address specified by parameter certificate<br>public_key_type 0, 1, or 3: n, 2: Qx                                                                                                                                                                                                                                                                                                                                                                                                                                                                           |
| public_key_n_end_position   | Input  | Public key end byte position relative to address specified by parameter certificate<br>public_key_type 0, 1, or 3: n, 2: Qx                                                                                                                                                                                                                                                                                                                                                                                                                                                                             |
| public_key_e_start_position | Input  | Public key start byte position relative to address specified by parameter certificate<br>public_key_type 0, 1, or 3: e, 2: Qy                                                                                                                                                                                                                                                                                                                                                                                                                                                                           |
| public_key_e_end_position   | Input  | Public key end byte position relative to address specified by parameter certificate<br>public_key_type 0, 1, or 3: e, 2: Qy                                                                                                                                                                                                                                                                                                                                                                                                                                                                             |
| encrypted_output_public_key | Output | Encrypted public key<br>Use this value as the encrypted_input_public_key parameter input to R_TSIP_TIsXXCertificateVerification or R_TSIP_TIsXXCertificateVerificationExtension, or as the encrypted_public_key parameter input to R_TSIP_TIsEncryptPreMasterSecretWithRsa2048PublicKey or R_TSIP_TIsServersEphemeralEcdhPublicKeyRetrives.<br>However, it can be used only with R_TSIP_TIsXXCertificateVerification or R_TSIP_TIsXXCertificateVerificationExtension when public_key_type = 1 is selected.<br>Data size<br>public_key_type 0, 1, or 3: 140 words (560 bytes),<br>2: 24 words (96 bytes) |

### Return Values

|                             |                                                                                                                                       |
|-----------------------------|---------------------------------------------------------------------------------------------------------------------------------------|
| TSIP_SUCCESS:               | Normal termination                                                                                                                    |
| TSIP_ERR_FAIL:              | Occurrence of internal error                                                                                                          |
| TSIP_ERR_RESOURCE_CONFLICT: | Occurrence of resource conflict because a hardware resource needed by the processing routine was in use by another processing routine |

**Description**

This API verifies the signature of a server certificate or intermediate certificate used by the TLS cooperation function.

This API can be used for same purpose as the R\_TSIP\_TlsXXCertificateVerification() function, but make sure to use this function when the algorithm of the key used for signature verification is different from the algorithm used to obtain the key from the certificate.

**Reentrancy**

Not supported.

### 4.2.14 TLS (TLS 1.2)

In this section, (1) means for Client and (2) means for Server in the columns of Format or other.

---

#### 4.2.14.1 R\_TSIP\_TlsGeneratePreMasterSecret

---

##### Format

```
#include "r_tsip_rx_if.h"
e_tsip_err_t R_TSIP_TlsGeneratePreMasterSecret(
 uint32_t *tsip_pre_master_secret
)
```

##### Parameters

|                        |        |                                                                                                                                                                                                                                                                                       |
|------------------------|--------|---------------------------------------------------------------------------------------------------------------------------------------------------------------------------------------------------------------------------------------------------------------------------------------|
| tsip_pre_master_secret | Output | Encrypted ephemeral pre-master secret data<br>Use this value as the tsip_pre_master_secret parameter input to R_TSIP_TlsGenerateMasterSecret, R_TSIP_TlsEncryptPreMasterSecretWithRsa2048PublicKey, or R_TSIP_TlsGenerateExtendedMasterSecret. 20 words (80 bytes) of data is output. |
|------------------------|--------|---------------------------------------------------------------------------------------------------------------------------------------------------------------------------------------------------------------------------------------------------------------------------------------|

##### Return Values

|                             |                                                                                                                                       |
|-----------------------------|---------------------------------------------------------------------------------------------------------------------------------------|
| TSIP_SUCCESS:               | Normal termination                                                                                                                    |
| TSIP_ERR_RESOURCE_CONFLICT: | Occurrence of resource conflict because a hardware resource needed by the processing routine was in use by another processing routine |

##### Description

This API generates an encrypted ephemeral pre-master secret for use by the TLS cooperation function.

##### Reentrancy

Not supported.

---

#### 4.2.14.2 R\_TSIP\_TIsEncryptPreMasterSecretWithRsa2048PublicKey

---

**Format**

```
#include "r_tsip_rx_if.h"
e_tsip_err_t R_TSIP_TIsEncryptPreMasterSecretWithRsa2048PublicKey(
 uint32_t *encrypted_public_key,
 uint32_t *tsip_pre_master_secret,
 uint8_t *encrypted_pre_master_secret
)
```

**Parameters**

|                             |        |                                                                                                                                                                                                              |
|-----------------------------|--------|--------------------------------------------------------------------------------------------------------------------------------------------------------------------------------------------------------------|
| encrypted_public_key        | Input  | Encrypted public key data<br>Use the value of encrypted_output_public_key output by R_TSIP_TIsCertificateVerification or R_TSIP_TIsCertificateVerificationExtension. The data size is 140 words (560 bytes). |
| tsip_pre_master_secret      | Input  | Encrypted ephemeral pre-master secret data, output by R_TSIP_TIsGeneratePreMasterSecret.                                                                                                                     |
| encrypted_pre_master_secret | Output | Pre-master secret data that was encrypted in RSA-2048 mode using public_key                                                                                                                                  |

**Return Values**

|                             |                                                                                                                                       |
|-----------------------------|---------------------------------------------------------------------------------------------------------------------------------------|
| TSIP_SUCCESS:               | Normal termination                                                                                                                    |
| TSIP_ERR_FAIL:              | Occurrence of internal error                                                                                                          |
| TSIP_ERR_RESOURCE_CONFLICT: | Occurrence of resource conflict because a hardware resource needed by the processing routine was in use by another processing routine |

**Description**

This API encrypts a pre-master secret in RSA-2048 mode, using a public key from the input data, for use by the TLS cooperation function.

**Reentrancy**

Not supported.

### 4.2.14.3 R\_TSIP\_TlsSVGenerateServerRandom

#### Format

```
#include "r_tsip_rx_if.h"
e_tsip_err_t R_TSIP_TlsRegisterCaCertificationPublicKeyIndex(
 e_tsip_tls_version_t client_tls_version,
 e_tsip_tls_version_t server_tls_version,
 uint32_t gmx_unix_time,
 tsip_tls_sv_random_t *server_random
)
```

#### Parameters

|                    |        |                                                                                                                                              |
|--------------------|--------|----------------------------------------------------------------------------------------------------------------------------------------------|
| client_tls_version | Input  | Protocol version of TLS Client<br>TSIP_TLS_VERSION_12: TLS 1.2,<br>TSIP_TLS_VERSION_13: TLS 1.3                                              |
| server_tls_version | Input  | Protocol version of TLS Server<br>TSIP_TLS_VERSION_12: TLS 1.2,<br>TSIP_TLS_VERSION_13: TLS 1.3                                              |
| gmt_unix_time      | Input  | Current GMT Unit time with 32 bits format                                                                                                    |
| server_random      | Output | Random number value to use in ServerHello and its MAC                                                                                        |
| random             |        | Random number value to use in ServerHello<br>The data size is 8 words (32 bytes).                                                            |
| mac                |        | The MAC of random number value to use in ServerHello<br>The data size is 4 words (12 bytes). The data does not used<br>when TLS 1.3 is used. |

#### Return Values

|                             |                                                                                                                                       |
|-----------------------------|---------------------------------------------------------------------------------------------------------------------------------------|
| TSIP_SUCCESS:               | Normal termination                                                                                                                    |
| TSIP_ERR_FAIL:              | Occurrence of internal error                                                                                                          |
| TSIP_ERR_RESOURCE_CONFLICT: | Occurrence of resource conflict because a hardware resource needed by the processing routine was in use by another processing routine |

#### Description

This API generates a random number value to use in ServerHello and its MAC used by the TLS cooperation function.

When the same random number value is used to ServerHello, TLS connection with same master secret can be conducted. To prevent such attack and ensure the security of the server system, this API provides a random number generation function which can be used safely. And, its MAC is added to prevent the attack to change the generated random number value on purpose to use following process. Please call this API from user of the driver every time and use the latest output when the ServerHello is generating.

#### Reentrancy

Not supported.

#### 4.2.14.4 R\_TSIP\_TlsSVDcryptPreMasterSecretWithRsa2048PrivateKey

##### Format

```
#include "r_tsip_rx_if.h"
e_tsip_err_t R_TSIP_TlsSVDcryptPreMasterSecretWithRsa2048PrivateKey(
 tsip_rsa2048_private_key_index_t *private_key_index,
 uint8_t *encrypted_pre_master_secret,
 uint32_t *tsip_pre_master_secret
)
```

##### Parameters

| Parameter Name              | Direction | Description                                                                                                                         |
|-----------------------------|-----------|-------------------------------------------------------------------------------------------------------------------------------------|
| private_key_index           | Input     | Wrapped RSA private key type included in certificate<br>Use the value of key_index output by R_TSIP_GenerateRsa2048PrivateKeyIndex. |
| encrypted_pre_master_secret | Input     | Pre-master secret data that was encrypted in RSA-2048 mode                                                                          |
| tsip_pre_master_secret      | Output    | Encrypted ephemeral pre-master secret<br>The data size is 16 words (64 bytes).                                                      |

##### Return Values

|                             |                                                                                                                                       |
|-----------------------------|---------------------------------------------------------------------------------------------------------------------------------------|
| TSIP_SUCCESS:               | Normal termination                                                                                                                    |
| TSIP_ERR_KEY_SET::          | Invalid wrapped key input                                                                                                             |
| TSIP_ERR_RESOURCE_CONFLICT: | Occurrence of resource conflict because a hardware resource needed by the processing routine was in use by another processing routine |

##### Description

This API decrypts a pre-master secret in RSA-2048 mode, using a private key from the input data, for use by the TLS cooperation function.

##### Reentrancy

Not supported.



#### 4.2.14.5 R\_TSIP\_TlsXXGenerateMasterSecret

##### Format

```
(1) #include "r_tsip_rx_if.h"
 e_tsip_err_t R_TSIP_TlsGenerateMasterSecret(
 uint32_t select_cipher_suite,
 uint32_t *tsip_pre_master_secret,
 uint8_t *client_random,
 uint8_t *server_random,
 uint32_t *tsip_master_secret
)
(2) #include "r_tsip_rx_if.h"
 e_tsip_err_t R_TSIP_TlsSVGenerateMasterSecret(
 uint32_t select_cipher_suite,
 uint32_t *tsip_pre_master_secret,
 uint8_t *client_random,
 tsip_tls_sv_random_t *server_random,
 uint32_t *tsip_master_secret
)
```

##### Parameters

|                        |        |                                                                                                                                                                                                                                                                                                                                                                                                                       |
|------------------------|--------|-----------------------------------------------------------------------------------------------------------------------------------------------------------------------------------------------------------------------------------------------------------------------------------------------------------------------------------------------------------------------------------------------------------------------|
| select_cipher_suite    | Input  | Cipher suite selection<br>0: R_TSIP_TLS_RSA_WITH_AES_128_CBC_SHA<br>1: R_TSIP_TLS_RSA_WITH_AES_256_CBC_SHA<br>2: R_TSIP_TLS_RSA_WITH_AES_128_CBC_SHA256<br>3: R_TSIP_TLS_RSA_WITH_AES_256_CBC_SHA256<br>4: R_TSIP_TLS_ECDHE_ECDSA_WITH_AES_128_CBC_SHA256<br>5: R_TSIP_TLS_ECDHE_RSA_WITH_AES_128_CBC_SHA256<br>6: R_TSIP_TLS_ECDHE_ECDSA_WITH_AES_128_GCM_SHA256<br>7: R_TSIP_TLS_ECDHE_RSSA_WITH_AES_128_GCM_SHA256 |
| tsip_pre_master_secret | Input  | Encrypted ephemeral pre-master secret data<br>(1)<br>Use the value of tsip_pre_master_secret output by R_TSIP_TlsGeneratePreMasterSecret or encrypted_pre_master_secret output by R_TSIP_TlsGeneratePreMasterSecretWithEccP256Key.<br>(2)<br>Use the value of tsip_pre_master_secret output by R_TSIP_TlsSVDecryptPreMasterSecretWithRsa2048PrivateKey or R_TSIP_TlsSVGeneratePreMasterSecretWithEccP256Key.          |
| client_random          | Input  | 32-byte random number value reported by ClientHello                                                                                                                                                                                                                                                                                                                                                                   |
| server_random          | Input  | (1) 32-byte random number value reported by ServerHello<br>(2) 32-byte random number value reported by ServerHello and its MAC                                                                                                                                                                                                                                                                                        |
| tsip_master_secret     | Output | Encrypted ephemeral master secret data<br>Use this value as the tsip_master_secret parameter input to R_TSIP_TlsXXGenerateSessionKey or R_TSIP_TlsXXGenerateVerifyData. 20 words (80 bytes) of data is output.                                                                                                                                                                                                        |

**Return Values**

|                             |                                                                                                                                       |
|-----------------------------|---------------------------------------------------------------------------------------------------------------------------------------|
| TSIP_SUCCESS:               | Normal termination                                                                                                                    |
| TSIP_ERR_FAIL:              | Occurrence of internal error                                                                                                          |
| TSIP_ERR_RESOURCE_CONFLICT: | Occurrence of resource conflict because a hardware resource needed by the processing routine was in use by another processing routine |

**Description**

This API generates an encrypted master secret for use by the TLS cooperation function.

**Reentrancy**

Not supported.

#### 4.2.14.6 R\_TSIP\_TlsXXGenerateSessionKey

##### Format

```
(1) #include "r_tsip_rx_if.h"
 e_tsip_err_t R_TSIP_TlsGenerateSessionKey(
 uint32_t select_cipher_suite,
 uint32_t *tsip_master_secret,
 uint8_t *client_random,
 uint8_t *server_random,
 uint8_t *nonce_explicit,
 tsip_hmac_sha_key_index_t *client_mac_key_index,
 tsip_hmac_sha_key_index_t *server_mac_key_index,
 tsip_aes_key_index_t *client_crypto_key_index,
 tsip_aes_key_index_t *server_crypto_key_index,
 uint8_t *client_iv,
 uint8_t *server_iv
)
(2) #include "r_tsip_rx_if.h"
 e_tsip_err_t R_TSIP_TlsSVGenerateSessionKey(
 uint32_t select_cipher_suite,
 uint32_t *tsip_master_secret,
 uint8_t *client_random,
 tsip_tls_sv_random_t *server_random,
 uint8_t *nonce_explicit,
 tsip_hmac_sha_key_index_t *client_mac_key_index,
 tsip_hmac_sha_key_index_t *server_mac_key_index,
 tsip_aes_key_index_t *client_crypto_key_index,
 tsip_aes_key_index_t *server_crypto_key_index,
 uint8_t *client_iv,
 uint8_t *server_iv
)
```

##### Parameters

|                      |        |                                                                                                                                                                                                                                                                                                                                                                                                                       |
|----------------------|--------|-----------------------------------------------------------------------------------------------------------------------------------------------------------------------------------------------------------------------------------------------------------------------------------------------------------------------------------------------------------------------------------------------------------------------|
| select_cipher_suite  | Input  | Cipher suite selection<br>0: R_TSIP_TLS_RSA_WITH_AES_128_CBC_SHA<br>1: R_TSIP_TLS_RSA_WITH_AES_256_CBC_SHA<br>2: R_TSIP_TLS_RSA_WITH_AES_128_CBC_SHA256<br>3: R_TSIP_TLS_RSA_WITH_AES_256_CBC_SHA256<br>4: R_TSIP_TLS_ECDHE_ECDSA_WITH_AES_128_CBC_SHA256<br>5: R_TSIP_TLS_ECDHE_RSA_WITH_AES_128_CBC_SHA256<br>6: R_TSIP_TLS_ECDHE_ECDSA_WITH_AES_128_GCM_SHA256<br>7: R_TSIP_TLS_ECDHE_RSSA_WITH_AES_128_GCM_SHA256 |
| tsip_master_secret   | Input  | Encrypted ephemeral master secret data<br>Use the value of tsip_master_secret output by R_TSIP_TlsXXGenerateMasterSecret.                                                                                                                                                                                                                                                                                             |
| client_random        | Input  | 32-byte random number value reported by ClientHello                                                                                                                                                                                                                                                                                                                                                                   |
| server_random        | Input  | (1) 32-byte random number value reported by ServerHello<br>(2) 32-byte random number value reported by ServerHello and its MAC                                                                                                                                                                                                                                                                                        |
| nonce_explicit       | Input  | Nonce used by AES128 GCM cipher suite<br>select_cipher_suite = 6-7: 8 bytes                                                                                                                                                                                                                                                                                                                                           |
| client_mac_key_index | Output | MAC wrapped key for client to server communication                                                                                                                                                                                                                                                                                                                                                                    |

## RX Family TSIP (Trusted Secure IP) Module Firmware Integration Technology

|                        |        |                                                                                                                                                                                                        |
|------------------------|--------|--------------------------------------------------------------------------------------------------------------------------------------------------------------------------------------------------------|
| server_mac_key_index   | Output | MAC wrapped key for server to client communication                                                                                                                                                     |
| client_crypt_key_index | Output | AES common wrapped key for client to server communication                                                                                                                                              |
| server_crypt_key_index | Output | AES common wrapped key for server to client communication                                                                                                                                              |
| client_iv              | Output | IV used for transmission from client to server<br>Output when the value of select_cipher_suite is 0 to 5. ((1) Used when NetX Duo is employed on the RX651 or RX65N.)<br>Otherwise, nothing is output. |
| server_iv              | Output | IV used for reception from server<br>Output when the value of select_cipher_suite is 0 to 5. ((1) Used when NetX Duo is employed on the RX651 or RX65N.)<br>Otherwise, nothing is output.              |

### Return Values

|                             |                                                                                                                                       |
|-----------------------------|---------------------------------------------------------------------------------------------------------------------------------------|
| TSIP_SUCCESS:               | Normal termination                                                                                                                    |
| TSIP_ERR_FAIL:              | Occurrence of internal error                                                                                                          |
| TSIP_ERR_RESOURCE_CONFLICT: | Occurrence of resource conflict because a hardware resource needed by the processing routine was in use by another processing routine |

### Description

This API outputs TLS common keys for use by the TLS cooperation function.

Nothing is output for the client\_iv and server\_iv parameters when the status is other than that specified in the parameter explanation.

### Reentrancy

Not supported.

#### 4.2.14.7 R\_TSIP\_TlsXXGenerateVerifyData

##### Format

```
(1) #include "r_tsip_rx_if.h"
 e_tsip_err_t R_TSIP_TlsGenerateVerifyData(
 uint32_t select_verify_data,
 uint32_t *tsip_master_secret,
 uint8_t *hand_shake_hash,
 uint8_t *verify_data
)
(2) #include "r_tsip_rx_if.h"
 e_tsip_err_t R_TSIP_TlsSVGenerateVerifyData(
 uint32_t select_verify_data,
 uint32_t *tsip_master_secret,
 uint8_t *hand_shake_hash,
 uint8_t *verify_data
)
```

##### Parameters

|                    |        |                                                                                                                                                                                   |
|--------------------|--------|-----------------------------------------------------------------------------------------------------------------------------------------------------------------------------------|
| select_verify_data | Input  | Client/server selection<br>R_TSIP_TLS_GENERATE_CLIENT_VERIFY:<br>Client verification data is generated.<br>R_TSIP_TLS_GENERATE_SERVER_VERIFY:<br>Server verify data is generated. |
| tsip_master_secret | Input  | Encrypted ephemeral master secret data<br>Use the value of tsip_master_secret output by<br>R_TSIP_TlsXXGenerateMasterSecret.                                                      |
| hand_shake_hash    | Input  | SHA256 hash value for entire TLS handshake<br>message                                                                                                                             |
| verify_data        | Output | Verification data for Finished message                                                                                                                                            |

##### Return Values

|                             |                                                                                                                                             |
|-----------------------------|---------------------------------------------------------------------------------------------------------------------------------------------|
| TSIP_SUCCESS:               | Normal termination                                                                                                                          |
| TSIP_ERR_FAIL:              | Occurrence of internal error                                                                                                                |
| TSIP_ERR_RESOURCE_CONFLICT: | Occurrence of resource conflict because a hardware<br>resource needed by the processing routine was in use<br>by another processing routine |

##### Description

This API generates verify data for use by the TLS cooperation function.

##### Reentrancy

Not supported.

#### 4.2.14.8 R\_TSIP\_TIsServersEphemeralEcdhPublicKeyRetrieves

##### Format

```
#include "r_tsip_rx_if.h"
e_tsip_err_t R_TSIP_TIsServersEphemeralEcdhPublicKeyRetrieves(
 uint32_t public_key_type,
 uint8_t *client_random,
 uint8_t *server_random,
 uint8_t *server_ephemeral_ecdh_public_key,
 uint8_t *server_key_exchange_signature,
 uint32_t *encrypted_public_key,
 uint32_t *encrypted_ephemeral_ecdh_public_key
)
```

##### Parameters

|                                     |        |                                                                                                                                                                                                                                                               |
|-------------------------------------|--------|---------------------------------------------------------------------------------------------------------------------------------------------------------------------------------------------------------------------------------------------------------------|
| public_key_type                     | Input  | Public key type<br>0: RSA 2048-bit (rsa_pkcs1_sha256),<br>1: RSA 4096-bit (rsa_pkcs1_sha256),<br>2: ECDSA P-256<br>3: RSA 2048-bit (rsa_pss_rsae_sha256)                                                                                                      |
| client_random                       | Input  | 32-byte random number value reported by ClientHello                                                                                                                                                                                                           |
| server_random                       | Input  | 32-byte random number value reported by ServerHello                                                                                                                                                                                                           |
| server_ephemeral_ecdh_public_key    | Input  | Ephemeral ECDH public key (uncompressed format) received from server<br>0 padding (24 bits)    04 (8 bits)    Qx (256 bits)    Qy (256 bits)                                                                                                                  |
| server_key_exchange_signature       | Input  | ServerKeyExchange signature data<br>public_key_type 0: 256 bytes, 2: 64 bytes                                                                                                                                                                                 |
| encrypted_public_key                | Input  | Encrypted public key for signature verification<br>Use the value of encrypted_output_public_key output by R_TSIP_TIsCertificateVerification or R_TSIP_TIsCertificateVerificationExtension.<br>public_key_type 0: 140 words (560 bytes), 2:24 words (96 bytes) |
| encrypted_ephemeral_ecdh_public_key | Output | Encrypted ephemeral ECDH public key used by R_TSIP_TIsGeneratePreMasterSecretWithEccP256Key<br>The data size is 24 words (96 bytes) size                                                                                                                      |

##### Return Values

|                             |                                                                                                                                       |
|-----------------------------|---------------------------------------------------------------------------------------------------------------------------------------|
| TSIP_SUCCESS:               | Normal termination                                                                                                                    |
| TSIP_ERR_FAIL:              | Occurrence of internal error                                                                                                          |
| TSIP_ERR_RESOURCE_CONFLICT: | Occurrence of resource conflict because a hardware resource needed by the processing routine was in use by another processing routine |

##### Description

This API verifies a ServerKeyExchange signature, using the input public key data, for use by the TLS cooperation function. If the signature is verified successfully, the ephemeral ECDH public key used by R\_TSIP\_TIsGeneratePreMasterSecretWithEccP256Key is encrypted and output.

Applicable cypher suites: TLS\_ECDHE\_ECDSA\_WITH\_AES\_128\_CBC\_SHA256,  
TLS\_ECDHE\_RSA\_WITH\_AES\_128\_CBC\_SHA256,  
TLS\_ECDHE\_ECDSA\_WITH\_AES\_128\_GCM\_SHA256,  
TLS\_ECDHE\_RSA\_WITH\_AES\_128\_GCM\_SHA256

**Reentrancy**

Not supported.

#### 4.2.14.9 R\_TSIP\_GenerateTlsXXP256EccKeyIndex

##### Format

```
(1) #include "r_tsip_rx_if.h"
 e_tsip_err_t R_TSIP_GenerateTlsP256EccKeyIndex(
 tsip_tls_p256_ecc_key_index_t *tls_p256_ecc_key_index,
 uint8_t *ephemeral_ecdh_public_key
)
(2) #include "r_tsip_rx_if.h"
 e_tsip_err_t R_TSIP_GenerateTlsSVP256EccKeyIndex(
 tsip_tls_p256_ecc_key_index_t *tls_p256_ecc_key_index,
 uint8_t *ephemeral_ecdh_public_key
)
```

##### Parameters

|                           |        |                                                                                                                                                              |
|---------------------------|--------|--------------------------------------------------------------------------------------------------------------------------------------------------------------|
| tls_p256_ecc_key_index    | Output | Ephemeral ECC secret wrapped key<br>Use this value as the tls_p256_ecc_key_index parameter input to R_TSIP_TlsXXGeneratePreMasterSecretWithEccP256Key.       |
| ephemeral_ecdh_public_key | Output | (1) Ephemeral ECDH public key to be sent to the server<br>(2) Ephemeral ECDH public key to be sent to the client<br>Both are Qx (256 bits)    Qy (256 bits). |

##### Return Values

|                             |                                                                                                                                       |
|-----------------------------|---------------------------------------------------------------------------------------------------------------------------------------|
| TSIP_SUCCESS:               | Normal termination                                                                                                                    |
| TSIP_ERR_FAIL:              | Occurrence of internal error                                                                                                          |
| TSIP_ERR_RESOURCE_CONFLICT: | Occurrence of resource conflict because a hardware resource needed by the processing routine was in use by another processing routine |

##### Description

This API generates a key pair from a random number for use by the TLS cooperation function for elliptic curve cryptography over a 256-bit prime field.

Applicable cypher suites: TLS\_ECDHE\_ECDSA\_WITH\_AES\_128\_CBC\_SHA256,  
 TLS\_ECDHE\_RSA\_WITH\_AES\_128\_CBC\_SHA256,  
 TLS\_ECDHE\_ECDSA\_WITH\_AES\_128\_GCM\_SHA256,  
 TLS\_ECDHE\_RSA\_WITH\_AES\_128\_GCM\_SHA256

##### Reentrancy

Not supported.



**4.2.14.10 R\_TSIP\_TlsXXGeneratePreMasterSecretWithEccP256Key****Format**

```
(1) #include "r_tsip_rx_if.h"
 e_tsip_err_t R_TSIP_TlsGeneratePreMasterSecretWithEccP256Key(
 uint32_t *encrypted_public_key,
 tsip_tls_p256_ecc_key_index_t *tls_p256_ecc_key_index,
 uint32_t *tsip_pre_master_secret
)
(2) #include "r_tsip_rx_if.h"
 e_tsip_err_t R_TSIP_TlsSVGeneratePreMasterSecretWithEccP256Key(
 uint32_t *ecdh_public_key,
 tsip_tls_p256_ecc_key_index_t *tls_p256_ecc_key_index,
 uint32_t *tsip_pre_master_secret
)
```

**Parameters**

|                          |        |                                                                                                                                                                                                                                 |
|--------------------------|--------|---------------------------------------------------------------------------------------------------------------------------------------------------------------------------------------------------------------------------------|
| (1) encrypted_public_key | Input  | Ephemeral ECDH public key                                                                                                                                                                                                       |
| (2) ecdh_public_key      |        | (1)<br>Use the value of encrypted_ephemeral_ecdh_public_key output by R_TSIP_TlsServersEphemeralEcdhPublicKeyRetrieves.<br>(2)<br>Use the value of ephemeral ECDH public key with its format is Qx (256 bits)    Qy (256 bits). |
| tls_p256_ecc_key_index   | Input  | Ephemeral ECC secret wrapped key<br>Use the value of tls_p256_ecc_key_index output by R_TSIP_GenerateTlsXXP256EccKeyIndex.                                                                                                      |
| tsip_pre_master_secret   | Output | Encrypted ephemeral pre-master secret data<br>16 words (64 bytes) of data is output.                                                                                                                                            |

**Return Values**

|                             |                                                                                                                                       |
|-----------------------------|---------------------------------------------------------------------------------------------------------------------------------------|
| TSIP_SUCCESS:               | Normal termination                                                                                                                    |
| TSIP_ERR_FAIL:              | Occurrence of internal error                                                                                                          |
| TSIP_ERR_RESOURCE_CONFLICT: | Occurrence of resource conflict because a hardware resource needed by the processing routine was in use by another processing routine |
| TSIP_ERR_KEY_SET:           | Invalid wrapped key input                                                                                                             |

**Description**

This API generates an encrypted pre-master secret, using the input key data, for use by the TLS cooperation function.

Applicable cypher suites: TLS\_ECDHE\_ECDSA\_WITH\_AES\_128\_CBC\_SHA256,  
 TLS\_ECDHE\_RSA\_WITH\_AES\_128\_CBC\_SHA256,  
 TLS\_ECDHE\_ECDSA\_WITH\_AES\_128\_GCM\_SHA256,  
 TLS\_ECDHE\_RSA\_WITH\_AES\_128\_GCM\_SHA256

**Reentrancy**

Not supported.

#### 4.2.14.11 R\_TSIP\_TlsXXGenerateExtendedMasterSecret

##### Format

```
(1) #include "r_tsip_rx_if.h"
 e_tsip_err_t R_TSIP_TlsGenerateExtendedMasterSecret(
 uint32_t select_cipher_suite,
 uint32_t *tsip_pre_master_secret,
 uint8_t *digest,
 uint32_t *extended_master_secret
)
(2) #include "r_tsip_rx_if.h"
 e_tsip_err_t R_TSIP_TlsSVGenerateExtendedMasterSecret(
 uint32_t select_cipher_suite,
 uint32_t *tsip_pre_master_secret,
 uint8_t *digest,
 uint32_t *extended_master_secret
)
```

##### Parameters

|                        |        |                                                                                                                                                                                                                                                                                                                                                                                                                |
|------------------------|--------|----------------------------------------------------------------------------------------------------------------------------------------------------------------------------------------------------------------------------------------------------------------------------------------------------------------------------------------------------------------------------------------------------------------|
| select_cipher_suite    | Input  | <p>Cipher suite selection</p> <p>2: R_TSIP_TLS_RSA_WITH_AES_128_CBC_SHA256<br/>         3: R_TSIP_TLS_RSA_WITH_AES_256_CBC_SHA256<br/>         4: R_TSIP_TLS_ECDHE_ECDSA_WITH_AES_128_CBC_SHA256<br/>         5: R_TSIP_TLS_ECDHE_RSA_WITH_AES_128_CBC_SHA256<br/>         6: R_TSIP_TLS_ECDHE_ECDSA_WITH_AES_128_GCM_SHA256<br/>         7: R_TSIP_TLS_ECDHE_RSSA_WITH_AES_128_GCM_SHA256</p>                 |
| tsip_pre_master_secret | Input  | <p>Encrypted ephemeral pre-master secret data</p> <p>(1)<br/>         Use the value of tsip_pre_master_secret output by R_TSIP_TlsGeneratePreMasterSecret or R_TSIP_TlsGeneratePreMasterSecretWithEccP256Key.</p> <p>(2)<br/>         Use the value of tsip_pre_master_secret output by R_TSIP_TlsSVDecryptPreMasterSecretWithRsa2048PrivateKey or R_TSIP_TlsSVGeneratePreMasterSecretWithEccP256Key.</p>      |
| digest                 | Input  | <p>Message hash calculated using SHA256</p> <p>Calculate and input a hash value of the value of concatenated handshake messages such as (ClientHello  ServerHello  Certificate  ServerKeyExchange  CertificateRequest  ServerHelloDone  Certificate  ClientKeyExchange).</p> <p>Use R_TSIP_Sha256Init/Update/Final to calculate the hash value and input as digest the value output by R_TSIP_Sha256Final.</p> |
| extended_master_secret | Output | <p>Encrypted ephemeral extended master secret data</p> <p>20 words (80 bytes) of data is output.</p> <p>Use this value as the tsip_master_secret parameter input to R_TSIP_TlsXXGenerateSessionKey or R_TSIP_TlsXXGenerateVerifyData.</p>                                                                                                                                                                      |

**Return Values**

|                             |                                                                                                                                       |
|-----------------------------|---------------------------------------------------------------------------------------------------------------------------------------|
| TSIP_SUCCESS:               | Normal termination                                                                                                                    |
| TSIP_ERR_FAIL:              | Occurrence of internal error                                                                                                          |
| TSIP_ERR_RESOURCE_CONFLICT: | Occurrence of resource conflict because a hardware resource needed by the processing routine was in use by another processing routine |

**Description**

This API generates encrypted extended master secret data, using encrypted pre-master secret data, for use by the TLS cooperation function.

**Reentrancy**

Not supported.

#### 4.2.14.12 R\_TSIP\_TlsSVCertificateVerifyVerification

##### Format

```
#include "r_tsip_rx_if.h"
e_tsip_err_t R_TSIP_TlsSVCertificateVerifyVerification(
 uint32_t *key_index,
 e_tsip_tls_signature_scheme_type_t signature_scheme,
 uint8_t *handshake_message,
 uint32_t handshake_message_len,
 uint8_t *certificate_verify,
 uint32_t certificate_verify_len
)
```

##### Parameters

|                        |       |                                                                                                                                                                                                                                                                                                                                            |
|------------------------|-------|--------------------------------------------------------------------------------------------------------------------------------------------------------------------------------------------------------------------------------------------------------------------------------------------------------------------------------------------|
| key_index              | Input | Encrypted public key<br>Use encrypted_output_public_key output by R_TSIP_TlsCertificateVerification or R_TSIP_TlsCertificateVerificationExtension.                                                                                                                                                                                         |
| signature_scheme       | Input | Signature algorithm to be used<br>TSIP_TLS_SIGNATURE_SCHEME_RSA_PKCS1_SHA256:<br>rsa_pkcs1_sha256<br>TSIP_TLS_SIGNATURE_SCHEME_ECDSA_SECP256R1_SHA256:<br>ecdsa_secp256r1_sha256<br>TSIP_TLS_SIGNATURE_SCHEME_RSA_PSS_RSAE_SHA256:<br>rsa_pss_rsae_sha256                                                                                  |
| digest                 | Input | Handshake message<br>Input a value of concatenated handshake messages such as (ClientHello  ServerHello  Certificate  ServerKeyExchange  CertificateRequest  ServerHelloDone  CertificateClientKeyExchange).<br>Use R_TSIP_Sha256Init/Update/Final to calculate the hash value and input as digest the value output by R_TSIP_Sha256Final. |
| handshake_message_len  | Input | Byte length of handshake_message                                                                                                                                                                                                                                                                                                           |
| certificate_verify     | Input | CertificateVerify<br>Input the start address of the buffer for storing the data.                                                                                                                                                                                                                                                           |
| certificate_verify_len | Input | Byte length of certificate_verify                                                                                                                                                                                                                                                                                                          |

##### Return Values

|                             |                                                                                                                                       |
|-----------------------------|---------------------------------------------------------------------------------------------------------------------------------------|
| TSIP_SUCCESS:               | Normal termination                                                                                                                    |
| TSIP_ERR_FAIL:              | Occurrence of internal error                                                                                                          |
| TSIP_ERR_RESOURCE_CONFLICT: | Occurrence of resource conflict because a hardware resource needed by the processing routine was in use by another processing routine |
| TSIP_ERR_PARAMETER          | Invalid input data                                                                                                                    |

##### Description

This API verifies a CertificateVerify message received from the client for use by the server function of the TLS cooperation function.

This API can be used for same purpose as the `R_TSIP_TlsCertificateVerificationExtension()` function, but make sure to use this function when the algorithm of the key used for signature verification is the same as the algorithm used to obtain the key from the certificate.

**Reentrancy**

Not supported.

## 4.2.15 TLS (TLS 1.3)

### 4.2.15.1 R\_TSIP\_GenerateTls13P256EccKeyIndex

#### Format

```
#include "r_tsip_rx_if.h"
e_tsip_err_t R_TSIP_TlsGenerateTls13P256EccKeyIndex(
 tsip_tls13_handle_t *handle,
 e_tsip_tls13_mode_t mode,
 tsip_tls_p256_ecc_key_index_t *key_index,
 uint8_t *ephemeral_ecdh_public_key
)
```

#### Parameters

| Parameter                 | Direction | Description                                                                                                                                                    |
|---------------------------|-----------|----------------------------------------------------------------------------------------------------------------------------------------------------------------|
| handle                    | Input     | Handle number (work area) indicating same session                                                                                                              |
| mode                      | Input     | Handshake protocol to use<br>TSIP_TLS13_MODE_FULL_HANDSHAKE:<br>Full handshake<br>TSIP_TLS13_MODE_RESUMPTION:<br>Resumption<br>TSIP_TLS13_MODE_0_RTT:<br>0-RTT |
| key_index                 | Output    | Ephemeral ECC secret wrapped key<br>Use this value as the key_index parameter input to<br>R_TSIP_Tls13GenerateEcdheSharedSecret.                               |
| ephemeral_ecdh_public_key | Output    | Ephemeral ECDH public key to be sent to the server<br>Qx (256 bits)    Qy (256 bits)                                                                           |

#### Return Values

|                             |                                                                                                                                       |
|-----------------------------|---------------------------------------------------------------------------------------------------------------------------------------|
| TSIP_SUCCESS:               | Normal termination                                                                                                                    |
| TSIP_ERR_FAIL:              | Occurrence of internal error                                                                                                          |
| TSIP_ERR_RESOURCE_CONFLICT: | Occurrence of resource conflict because a hardware resource needed by the processing routine was in use by another processing routine |

#### Description

This API generates a key pair from a random number for use by the TLS 1.3 cooperation function for elliptic curve cryptography over a 256-bit prime field.

#### Reentrancy

Not supported.

### 4.2.15.2 R\_TSIP\_Tls13GenerateEcdheSharedSecret

#### Format

```
#include "r_tsip_rx_if.h"
e_tsip_err_t R_TSIP_Tls13GenerateEcdheSharedSecret(
 e_tsip_tls13_mode_t mode,
 uint8_t *server_public_key,
 tsip_tls_p256_ecc_key_index_t *key_index,
 tsip_tls13_ephemeral_shared_secret_key_index_t *shared_secret_key_index
)
```

#### Parameters

| Parameter               | Direction | Description                                                                                                                                                                                             |
|-------------------------|-----------|---------------------------------------------------------------------------------------------------------------------------------------------------------------------------------------------------------|
| mode                    | Input     | Handshake protocol to use<br>TSIP_TLS13_MODE_FULL_HANDSHAKE:<br>Full handshake<br>TSIP_TLS13_MODE_RESUMPTION:<br>Resumption<br>TSIP_TLS13_MODE_0_RTT:<br>0-RTT                                          |
| server_public_key       | Input     | Public key provided by the server<br>Qx (256 bits)    Qy (256 bits)                                                                                                                                     |
| key_index               | Input     | Ephemeral ECC secret wrapped key<br>Use the value of key_index output by<br>R_TSIP_GenerateTls13P256EccKeyIndex.                                                                                        |
| shared_secret_key_index | Output    | Shared secret ephemeral wrapped key<br>Use this value as the shared_secret_key_index<br>parameter input to<br>R_TSIP_Tls13GenerateHandshakeSecret and<br>R_TSIP_Tls13GenerateResumptionHandshakeSecret. |

#### Return Values

|                             |                                                                                                                                       |
|-----------------------------|---------------------------------------------------------------------------------------------------------------------------------------|
| TSIP_SUCCESS:               | Normal termination                                                                                                                    |
| TSIP_ERR_FAIL:              | Occurrence of internal error                                                                                                          |
| TSIP_ERR_RESOURCE_CONFLICT: | Occurrence of resource conflict because a hardware resource needed by the processing routine was in use by another processing routine |
| TSIP_ERR_KEY_SET            | Invalid wrapped key input                                                                                                             |

#### Description

This API calculates a shared secret, which is a shared key over a 256-bit prime field, using a public key provided by the server and a previously calculated secret key, and generates a wrapped key for use by the TLS 1.3 cooperation function.

Applicable cypher suites: TLS\_AES\_128\_GCM\_SHA256, TLS\_AES\_128\_CCM\_SHA256

Key exchange format: ECDHE NIST P-256

#### Reentrancy

Not supported.

---

### 4.2.15.3 R\_TSIP\_Tls13GenerateHandshakeSecret

---

**Format**

```
#include "r_tsip_rx_if.h"
e_tsip_err_t R_TSIP_Tls13GenerateHandshakeSecret(
 tsip_tls13_ephemeral_shared_secret_key_index_t *shared_secret_key_index,
 tsip_tls13_ephemeral_handshake_secret_key_index_t *handshake_secret_key_index
)
```

**Parameters**

|                            |        |                                                                                                                                                                                                                                                   |
|----------------------------|--------|---------------------------------------------------------------------------------------------------------------------------------------------------------------------------------------------------------------------------------------------------|
| shared_secret_key_index    | Input  | Shared secret ephemeral wrapped key<br>Use the value of shared_secret_key_index output by R_TSIP_Tls13GenerateEcdheSharedSecret.                                                                                                                  |
| handshake_secret_key_index | Output | Handshake secret ephemeral wrapped key<br>Use this value as the handshake_secret_key_index parameter input to R_TSIP_Tls13GenerateServerHandshakeTrafficKey, R_TSIP_Tls13GenerateClientHandshakeTrafficKey, and R_TSIP_Tls13GenerateMasterSecret. |

**Return Values**

|                             |                                                                                                                                       |
|-----------------------------|---------------------------------------------------------------------------------------------------------------------------------------|
| TSIP_SUCCESS:               | Normal termination                                                                                                                    |
| TSIP_ERR_FAIL:              | Occurrence of internal error                                                                                                          |
| TSIP_ERR_RESOURCE_CONFLICT: | Occurrence of resource conflict because a hardware resource needed by the processing routine was in use by another processing routine |
| TSIP_ERR_KEY_SET            | Invalid wrapped key input                                                                                                             |

**Description**

This API generates a handshake secret wrapped key, using a shared secret ephemeral key, for use by the TLS 1.3 cooperation function.

**Reentrancy**

Not supported.



#### 4.2.15.4 R\_TSIP\_Tls13GenerateServerHandshakeTrafficKey

##### Format

```
#include "r_tsip_rx_if.h"
e_tsip_err_t R_TSIP_Tls13GenerateServerHandshakeTrafficKey(
 tsip_tls13_handle_t *handle,
 e_tsip_tls13_mode_t mode,
 tsip_tls13_ephemeral_handshake_secret_key_index_t *handshake_secret_key_index,
 uint8_t *digest,
 tsip_aes_key_index_t *server_write_key_index,
 tsip_tls13_ephemeral_server_finished_key_index_t *server_finished_key_index
)
```

##### Parameters

|                            |        |                                                                                                                                                                                                                                         |
|----------------------------|--------|-----------------------------------------------------------------------------------------------------------------------------------------------------------------------------------------------------------------------------------------|
| handle                     | Output | Handle number (work area) indicating same session                                                                                                                                                                                       |
| mode                       | Input  | Handshake protocol to use<br>TSIP_TLS13_MODE_FULL_HANDSHAKE:<br>Full handshake<br>TSIP_TLS13_MODE_RESUMPTION:<br>Resumption<br>TSIP_TLS13_MODE_0_RTT:<br>0-RTT                                                                          |
| handshake_secret_key_index | Input  | Handshake secret ephemeral wrapped key<br>Use the value of handshake_secret_key_index output by R_TSIP_Tls13GenerateHandshakeSecret or R_TSIP_Tls13GenerateResumptionHandshakeSecret.                                                   |
| digest                     | Input  | Message hash calculated using SHA256<br>Calculate and input the hash value of (ClientHello  ServerHello).<br>Use R_TSIP_Sha256Init/Update/Final to calculate the hash value and input as digest the value output by R_TSIP_Sha256Final. |
| server_write_key_index     | Output | Server write key ephemeral wrapped key<br>Use this value as the key_index parameter input to R_TSIP_Tls13DecryptInit.                                                                                                                   |
| server_finished_key_index  | Output | Server finished key ephemeral wrapped key<br>Use this value as the server_finished_key_index parameter input to R_TSIP_Tls13ServerHandshakeVerification.                                                                                |

##### Return Values

|                             |                                                                                                                                       |
|-----------------------------|---------------------------------------------------------------------------------------------------------------------------------------|
| TSIP_SUCCESS:               | Normal termination                                                                                                                    |
| TSIP_ERR_RESOURCE_CONFLICT: | Occurrence of resource conflict because a hardware resource needed by the processing routine was in use by another processing routine |
| TSIP_ERR_KEY_SET            | Invalid wrapped key input                                                                                                             |

##### Description

This API generates, using the handshake secret output by R\_TSIP\_Tls13GenerateHandshakeSecret, a server write wrapped key and server finished wrapped key for use by the TLS 1.3 cooperation function.

**Reentrancy**

Not supported.

### 4.2.15.5 R\_TSIP\_Tls13GenerateClientHandshakeTrafficKey

#### Format

```
#include "r_tsip_rx_if.h"
e_tsip_err_t R_TSIP_Tls13GenerateClientHandshakeTrafficKey(
 tsip_tls13_handle_t *handle,
 e_tsip_tls13_mode_t mode,
 tsip_tls13_ephemeral_handshake_secret_key_index_t *handshake_secret_key_index,
 uint8_t *digest,
 tsip_aes_key_index_t *client_write_key_index,
 tsip_hmac_sha_key_index_t *client_finished_key_index
)
```

#### Parameters

|                            |        |                                                                                                                                                                                                                                         |
|----------------------------|--------|-----------------------------------------------------------------------------------------------------------------------------------------------------------------------------------------------------------------------------------------|
| handle                     | Output | Handle number (work area) indicating same session                                                                                                                                                                                       |
| mode                       | Input  | Handshake protocol to use<br>TSIP_TLS13_MODE_FULL_HANDSHAKE:<br>Full handshake<br>TSIP_TLS13_MODE_RESUMPTION:<br>Resumption<br>TSIP_TLS13_MODE_0_RTT:<br>0-RTT                                                                          |
| handshake_secret_key_index | Input  | Handshake secret ephemeral wrapped key<br>Use the value of handshake_secret_key_index output by R_TSIP_Tls13GenerateHandshakeSecret or R_TSIP_Tls13GenerateResumptionHandshakeSecret.                                                   |
| digest                     | Input  | Message hash calculated using SHA256<br>Calculate and input the hash value of (ClientHello  ServerHello).<br>Use R_TSIP_Sha256Init/Update/Final to calculate the hash value and input as digest the value output by R_TSIP_Sha256Final. |
| client_write_key_index     | Output | Client write key ephemeral wrapped key<br>Use this value as the key_index parameter input to R_TSIP_Tls13EncryptInit.                                                                                                                   |
| client_finished_key_index  | Output | Client finished key ephemeral wrapped key<br>Use this value as the key_index parameter input to R_TSIP_Sha256HmacGenerateInit.                                                                                                          |

#### Return Values

|                             |                                                                                                                                       |
|-----------------------------|---------------------------------------------------------------------------------------------------------------------------------------|
| TSIP_SUCCESS:               | Normal termination                                                                                                                    |
| TSIP_ERR_RESOURCE_CONFLICT: | Occurrence of resource conflict because a hardware resource needed by the processing routine was in use by another processing routine |
| TSIP_ERR_KEY_SET            | Invalid wrapped key input                                                                                                             |

#### Description

This API generates, using the handshake secret output by R\_TSIP\_Tls13GenerateHandshakeSecret, a client write wrapped key and client finished wrapped key for use by the TLS 1.3 cooperation function.

**Reentrancy**

Not supported.

#### 4.2.15.6 R\_TSIP\_Tls13ServerHandshakeVerification

##### Format

```
#include "r_tsip_rx_if.h"
e_tsip_err_t R_TSIP_Tls13ServerHandshakeVerification(
 e_tsip_tls13_mode_t mode,
 tsip_tls13_ephemeral_server_finished_key_index_t *server_finished_key_index,
 uint8_t *digest,
 uint8_t *server_finished,
 uint32_t *verify_data_index
)
```

##### Parameters

|                           |        |                                                                                                                                                                                                                                                                                                                                                                                  |
|---------------------------|--------|----------------------------------------------------------------------------------------------------------------------------------------------------------------------------------------------------------------------------------------------------------------------------------------------------------------------------------------------------------------------------------|
| mode                      | Input  | Handshake protocol to use<br>TSIP_TLS13_MODE_FULL_HANDSHAKE:<br>Full handshake<br>TSIP_TLS13_MODE_RESUMPTION:<br>Resumption<br>TSIP_TLS13_MODE_0_RTT:<br>0-RTT                                                                                                                                                                                                                   |
| server_finished_key_index | Input  | Server finished key ephemeral wrapped key<br>Use the value of server_finished_key_index output by<br>R_TSIP_Tls13GenerateServerHandshakeTrafficKey.                                                                                                                                                                                                                              |
| digest                    | Input  | Message hash calculated using SHA256<br>Calculate and input a hash value of the value of concatenated handshake messages such as (ClientHello  ServerHello  EncryptedExtensions  CertificateRequest  Certificate  CertificateVerify).<br>Use the value of R_TSIP_Sha256Init/Update/Final to calculate the hash value and input as digest the value output by R_TSIP_Sha256Final. |
| server_finished           | Input  | Finished information provided by the server<br>Input the start address of the buffer for storing the ServerFinished data obtained from<br>R_TSIP_Tls13DecryptUpdate/Final.                                                                                                                                                                                                       |
| verify_data_index         | Output | ServerHandshake verification result conforming to TSIP-specific specification<br>Use this value as the as verify_data_index parameter input to R_TSIP_Tls13GenerateMasterSecret.<br>Input the start address of the buffer to which data is to be output. The size must be 8 words (32 bytes).                                                                                    |

##### Return Values

|                             |                                                                                                                                       |
|-----------------------------|---------------------------------------------------------------------------------------------------------------------------------------|
| TSIP_SUCCESS:               | Normal termination                                                                                                                    |
| TSIP_ERR_FAIL               | Occurrence of internal error                                                                                                          |
| TSIP_ERR_RESOURCE_CONFLICT: | Occurrence of resource conflict because a hardware resource needed by the processing routine was in use by another processing routine |

|                            |                           |
|----------------------------|---------------------------|
| TSIP_ERR_KEY_SET           | Invalid wrapped key input |
| TSIP_ERR_VERIFICATION_FAIL | Verification failure      |

**Description**

This API verifies handshake messages, using the Finished information provided by the server, for use by the TLS 1.3 cooperation function.

**Reentrancy**

Not supported.

### 4.2.15.7 R\_TSIP\_Tls13GenerateMasterSecret

#### Format

```
#include "r_tsip_rx_if.h"
e_tsip_err_t R_TSIP_Tls13GenerateMasterSecret(
 tsip_tls13_handle_t *handle,
 e_tsip_tls13_mode_t mode,
 tsip_tls13_ephemeral_handshake_secret_key_index_t *handshake_secret_key_index,
 uint32_t *verify_data_index,
 tsip_tls13_ephemeral_master_secret_key_index_t *master_secret_key_index
)
```

#### Parameters

|                            |        |                                                                                                                                                                                                  |
|----------------------------|--------|--------------------------------------------------------------------------------------------------------------------------------------------------------------------------------------------------|
| handle                     | Output | Handle number (work area) indicating same session                                                                                                                                                |
| mode                       | Input  | Handshake protocol to use<br>TSIP_TLS13_MODE_FULL_HANDSHAKE:<br>Full handshake<br>TSIP_TLS13_MODE_RESUMPTION:<br>Resumption<br>TSIP_TLS13_MODE_0_RTT:<br>0-RTT                                   |
| handshake_secret_key_index | Input  | Handshake secret ephemeral wrapped key<br>Use the value of handshake_secret_key_index output by R_TSIP_Tls13GenerateHandshakeSecret.                                                             |
| verify_data_index          | Input  | ServerHandshake verification result conforming to TSIP-specific specification<br>Use the value of verify_data_index output by R_TSIP_Tls13ServerHandshakeVerification.                           |
| master_secret_key_index    | Output | Master secret ephemeral wrapped key<br>Use this value as the master_secret_key_index parameter input to R_TSIP_Tls13GenerateApplicationTrafficKey and R_TSIP_Tls13GenerateResumptionMasterSecret |

#### Return Values

|                             |                                                                                                                                       |
|-----------------------------|---------------------------------------------------------------------------------------------------------------------------------------|
| TSIP_SUCCESS:               | Normal termination                                                                                                                    |
| TSIP_ERR_FAIL               | Occurrence of internal error                                                                                                          |
| TSIP_ERR_RESOURCE_CONFLICT: | Occurrence of resource conflict because a hardware resource needed by the processing routine was in use by another processing routine |
| TSIP_ERR_KEY_SET            | Invalid wrapped key input                                                                                                             |

#### Description

This API generates a master secret ephemeral wrapped key, using a handshake secret ephemeral key, for use by the TLS 1.3 cooperation function.

#### Reentrancy

Not supported.

#### 4.2.15.8 R\_TSIP\_Tls13GenerateApplicationTrafficKey

##### Format

```
#include "r_tsip_rx_if.h"
e_tsip_err_t R_TSIP_Tls13GenerateApplicationTrafficKey(
 tsip_tls13_handle_t *handle,
 e_tsip_tls13_mode_t mode,
 tsip_tls13_ephemeral_master_secret_key_index_t *master_secret_key_index,
 uint8_t *digest,
 tsip_tls13_ephemeral_app_secret_key_index_t *server_app_secret_key_index,
 tsip_tls13_ephemeral_app_secret_key_index_t *client_app_secret_key_index,
 tsip_aes_key_index_t *server_write_key_index,
 tsip_aes_key_index_t *client_write_key_index
)
```

##### Parameters

|                             |              |                                                                                                                                                                                                                                                                                                                                                                                     |
|-----------------------------|--------------|-------------------------------------------------------------------------------------------------------------------------------------------------------------------------------------------------------------------------------------------------------------------------------------------------------------------------------------------------------------------------------------|
| handle                      | Input/output | Handle number (work area) indicating same session                                                                                                                                                                                                                                                                                                                                   |
| mode                        | Input        | Handshake protocol to use<br>TSIP_TLS13_MODE_FULL_HANDSHAKE:<br>Full handshake<br>TSIP_TLS13_MODE_RESUMPTION:<br>Resumption<br>TSIP_TLS13_MODE_0_RTT:<br>0-RTT                                                                                                                                                                                                                      |
| master_secret_key_index     | Input        | Master secret ephemeral wrapped key<br>Use the value of master_secret_key_index output by R_TSIP_Tls13GenerateMasterSecret.                                                                                                                                                                                                                                                         |
| digest                      | Input        | Message hash calculated using SHA256<br>Calculate and input a hash value of the value of concatenated handshake messages such as (ClientHello  ServerHello  EncryptedExtensions  CertificateRequest  Certificate  CertificateVerify  ServerFinished).<br>Use R_TSIP_Sha256Init/Update/Final to calculate the hash value and input as digest the value output by R_TSIP_Sha256Final. |
| server_app_secret_key_index | Output       | Server application traffic secret ephemeral wrapped key<br>Use this value as the input_app_secret_key_index parameter input to R_TSIP_Tls13UpdateApplicationTrafficKey.                                                                                                                                                                                                             |
| client_app_secret_key_index | Output       | Client application traffic secret ephemeral wrapped key<br>Use this value as the input_app_secret_key_index parameter input to R_TSIP_Tls13UpdateApplicationTrafficKey.                                                                                                                                                                                                             |
| server_write_key_index      | Output       | Server write key ephemeral wrapped key<br>Use this value as the key_index parameter input to R_TSIP_Tls13DecryptInit.                                                                                                                                                                                                                                                               |



|                        |        |                                                                                                                       |
|------------------------|--------|-----------------------------------------------------------------------------------------------------------------------|
| client_write_key_index | Output | Client write key ephemeral wrapped key<br>Use this value as the key_index parameter input to R_TSIP_Tls13EncryptInit. |
|------------------------|--------|-----------------------------------------------------------------------------------------------------------------------|

**Return Values**

|                             |                                                                                                                                       |
|-----------------------------|---------------------------------------------------------------------------------------------------------------------------------------|
| TSIP_SUCCESS:               | Normal termination                                                                                                                    |
| TSIP_ERR_RESOURCE_CONFLICT: | Occurrence of resource conflict because a hardware resource needed by the processing routine was in use by another processing routine |
| TSIP_ERR_KEY_SET            | Invalid wrapped key input                                                                                                             |

**Description**

This API generates an application traffic secret wrapped key, using a master secret ephemeral key, for use by the TLS 1.3 cooperation function. It also generates server write key and client write key ephemeral wrapped keys.

**Reentrancy**

Not supported.

### 4.2.15.9 R\_TSIP\_Tls13UpdateApplicationTrafficKey

#### Format

```
#include "r_tsip_rx_if.h"
e_tsip_err_t R_TSIP_Tls13UpdateApplicationTrafficKey(
 tsip_tls13_handle_t *handle,
 e_tsip_tls13_mode_t mode,
 e_tsip_tls13_update_key_type_t key_type,
 tsip_tls13_ephemeral_app_secret_key_index_t *input_app_secret_key_index,
 tsip_tls13_ephemeral_app_secret_key_index_t *output_app_secret_key_index,
 tsip_aes_key_index_t *app_write_key_index
)
```

#### Parameters

|                             |              |                                                                                                                                                                                                                                                                                                                                                    |
|-----------------------------|--------------|----------------------------------------------------------------------------------------------------------------------------------------------------------------------------------------------------------------------------------------------------------------------------------------------------------------------------------------------------|
| handle                      | Input/output | Handle number (work area) indicating same session                                                                                                                                                                                                                                                                                                  |
| mode                        | Input        | Handshake protocol to use<br>TSIP_TLS13_MODE_FULL_HANDSHAKE:<br>Full handshake<br>TSIP_TLS13_MODE_RESUMPTION:<br>Resumption<br>TSIP_TLS13_MODE_0_RTT:<br>0-RTT                                                                                                                                                                                     |
| key_type                    | Input        | Type of key to be updated<br>TSIP_TLS13_UPDATE_SERVER_KEY:<br>Server application traffic secret<br>TSIP_TLS13_UPDATE_CLIENT_KEY:<br>Client application traffic secret                                                                                                                                                                              |
| input_app_secret_key_index  | Input        | Ephemeral wrapped key of input server/client application traffic secret<br>Use as input either<br>server/client_app_secret_key_index output by<br>R_TSIP_Tls13GenerateApplicationTrafficKey or<br>output_app_secret_key_index output by<br>R_TSIP_Tls13UpdateApplicationTrafficKey,<br>whichever matches the type of key specified by<br>key_type. |
| output_app_secret_key_index | Output       | Ephemeral wrapped key of output server/client application traffic secret<br>Output matching the type of key specified by<br>key_type is obtained.<br>Use this value as the input_app_secret_key_index<br>parameter input to<br>R_TSIP_Tls13UpdateApplicationTrafficKey.                                                                            |
| app_write_key_index         | Output       | Server/client write key ephemeral wrapped key<br>Output matching the type of key specified by<br>key_type is obtained.<br>Use ServerWriteKey as the key_index parameter<br>input to R_TSIP_Tls13DecryptInit.<br>Use ClientWriteKey as the key_index parameter<br>input to R_TSIP_Tls13EncryptInit.                                                 |

**Return Values**

|                             |                                                                                                                                       |
|-----------------------------|---------------------------------------------------------------------------------------------------------------------------------------|
| TSIP_SUCCESS:               | Normal termination                                                                                                                    |
| TSIP_ERR_FAIL               | Occurrence of internal error                                                                                                          |
| TSIP_ERR_RESOURCE_CONFLICT: | Occurrence of resource conflict because a hardware resource needed by the processing routine was in use by another processing routine |
| TSIP_ERR_KEY_SET            | Invalid wrapped key input                                                                                                             |
| TSIP_ERR_PARAMETER          | Invalid input data                                                                                                                    |

**Description**

This API updates, using an application traffic secret, an encryption wrapped key corresponding to an application traffic secret wrapped key for use by the TLS 1.3 cooperation function.

**Reentrancy**

Not supported.

#### 4.2.15.10 R\_TSIP\_Tls13GenerateResumptionMasterSecret

##### Format

```
#include "r_tsip_rx_if.h"
e_tsip_err_t R_TSIP_Tls13GenerateResumptionMasterSecret(
 tsip_tls13_handle_t *handle,
 e_tsip_tls13_mode_t mode,
 tsip_tls13_ephemeral_master_secret_key_index_t *master_secret_key_index,
 uint8_t *digest,
 tsip_tls13_ephemeral_res_master_secret_key_index_t *res_master_secret_key_index
)
```

##### Parameters

|                             |        |                                                                                                                                                                                                                                                                                                                                                                                                                                        |
|-----------------------------|--------|----------------------------------------------------------------------------------------------------------------------------------------------------------------------------------------------------------------------------------------------------------------------------------------------------------------------------------------------------------------------------------------------------------------------------------------|
| handle                      | Input  | Handle number (work area) indicating same session                                                                                                                                                                                                                                                                                                                                                                                      |
| mode                        | Input  | Handshake protocol to use<br>TSIP_TLS13_MODE_FULL_HANDSHAKE:<br>Full handshake<br>TSIP_TLS13_MODE_RESUMPTION:<br>Resumption<br>TSIP_TLS13_MODE_0_RTT:<br>0-RTT                                                                                                                                                                                                                                                                         |
| master_secret_key_index     | Input  | Handshake secret ephemeral wrapped key<br>Use the value of handshake_secret_key_index output by R_TSIP_Tls13GenerateHandshakeSecret.                                                                                                                                                                                                                                                                                                   |
| digest                      | Input  | Message hash calculated using SHA256<br>Calculate and input a hash value of the value of concatenated handshake messages such as (ClientHello  ServerHello  EncryptedExtensions   CertificateRequest  Certificate  CertificateVerify   ServerFinished  Certificate  CertificateVerify   ClientFinished).<br>Use R_TSIP_Sha256Init/Update/Final to calculate the hash value and input as digest the value output by R_TSIP_Sha256Final. |
| res_master_secret_key_index | Output | Resumption master secret ephemeral wrapped key<br>Use this value as the res_master_secret_key_index parameter input to R_TSIP_Tls13GeneratePreSharedKey.                                                                                                                                                                                                                                                                               |

##### Return Values

|                             |                                                                                                                                       |
|-----------------------------|---------------------------------------------------------------------------------------------------------------------------------------|
| TSIP_SUCCESS:               | Normal termination                                                                                                                    |
| TSIP_ERR_RESOURCE_CONFLICT: | Occurrence of resource conflict because a hardware resource needed by the processing routine was in use by another processing routine |
| TSIP_ERR_KEY_SET            | Invalid wrapped key input                                                                                                             |

**Description**

This API generates a resumption master secret wrapped key, using a master secret ephemeral key, for use by the TLS 1.3 cooperation function.

As specified in RFC 8446, delete `master_secret_key_index`, the master secret ephemeral wrapped key, after generating a resumption master secret wrapped key using this API.

**Reentrancy**

Not supported.

#### 4.2.15.11 R\_TSIP\_Tls13GeneratePreSharedKey

##### Format

```
#include "r_tsip_rx_if.h"
e_tsip_err_t R_TSIP_Tls13GeneratePreSharedKey(
 tsip_tls13_handle_t *handle,
 e_tsip_tls13_mode_t mode,
 tsip_tls13_ephemeral_res_master_secret_key_index_t *res_master_secret_key_index,
 uint8_t *ticket_nonce,
 uint32_t ticket_nonce_len,
 tsip_tls13_ephemeral_pre_shared_key_index_t *pre_shared_key_index
)
```

##### Parameters

|                             |        |                                                                                                                                                                                                                                                  |
|-----------------------------|--------|--------------------------------------------------------------------------------------------------------------------------------------------------------------------------------------------------------------------------------------------------|
| handle                      | Input  | Handle number (work area) indicating same session                                                                                                                                                                                                |
| mode                        | Input  | Handshake protocol to use<br>TSIP_TLS13_MODE_FULL_HANDSHAKE:<br>Full handshake<br>TSIP_TLS13_MODE_RESUMPTION:<br>Resumption<br>TSIP_TLS13_MODE_0_RTT:<br>0-RTT                                                                                   |
| res_master_secret_key_index | Input  | Resumption master secret ephemeral wrapped key<br>Use the value of res_master_secret_key_index output by R_TSIP_Tls13GenerateResumptionMasterSecret.                                                                                             |
| ticket_nonce                | Input  | Ticket nonce provided by the server<br>If the size of the ticket nonce is not a multiple of 16 bytes, pad it with zeros to make it a multiple of 16 bytes before input.                                                                          |
| ticket_nonce_len            | Input  | Byte length of ticket nonce<br>Maximum size is 255 byte.                                                                                                                                                                                         |
| pre_shared_key_index        | Output | Pre-shared key ephemeral wrapped key<br>Use this value as the pre_shared_key_index parameter input to<br>R_TSIP_Tls13GeneratePskBinderKey,<br>R_TSIP_Tls13GenerateResumptionHandshakeSecret,<br>and R_TSIP_Tls13Generate0RttApplicationWriteKey. |

##### Return Values

|                             |                                                                                                                                       |
|-----------------------------|---------------------------------------------------------------------------------------------------------------------------------------|
| TSIP_SUCCESS:               | Normal termination                                                                                                                    |
| TSIP_FAIL                   | Occurrence of internal error                                                                                                          |
| TSIP_ERR_RESOURCE_CONFLICT: | Occurrence of resource conflict because a hardware resource needed by the processing routine was in use by another processing routine |
| TSIP_ERR_KEY_SET            | Invalid wrapped key input                                                                                                             |

##### Description

This API generates, using a resumption master secret ephemeral key, a pre-shared wrapped key from new session ticket information for use by the TLS 1.3 cooperation function.

**Reentrancy**

Not supported.

**4.2.15.12 R\_TSIP\_Tls13GeneratePskBinderKey****Format**

```
#include "r_tsip_rx_if.h"
e_tsip_err_t R_TSIP_Tls13GeneratePskBinderKey(
 tsip_tls13_handle_t *handle,
 tsip_tls13_ephemeral_pre_shared_key_index_t *pre_shared_key_index,
 tsip_hmac_sha_key_index_t *psk_binder_key_index
)
```

**Parameters**

|                      |        |                                                                                                                                                                    |
|----------------------|--------|--------------------------------------------------------------------------------------------------------------------------------------------------------------------|
| handle               | Input  | Handle number (work area) indicating same session                                                                                                                  |
| pre_shared_key_index | Input  | Pre-shared key ephemeral wrapped key<br>Use the value of pre_shared_key_index output by R_TSIP_Tls13GeneratePreSharedKey.                                          |
| psk_binder_key_index | Output | PSK binder key ephemeral wrapped key<br>Use this value to generate PskBinder.<br>Use this value as the key_index parameter input to R_TSIP_Sha256HmacGenerateInit. |

**Return Values**

|                             |                                                                                                                                       |
|-----------------------------|---------------------------------------------------------------------------------------------------------------------------------------|
| TSIP_SUCCESS:               | Normal termination                                                                                                                    |
| TSIP_ERR_FAIL               | Occurrence of internal error                                                                                                          |
| TSIP_ERR_RESOURCE_CONFLICT: | Occurrence of resource conflict because a hardware resource needed by the processing routine was in use by another processing routine |
| TSIP_ERR_KEY_SET            | Invalid wrapped key input                                                                                                             |

**Description**

This API generates binder wrapped key for use by the TLS 1.3 cooperation function.

**Reentrancy**

Not supported.



**4.2.15.13 R\_TSIP\_Tls13GenerateResumptionHandshakeSecret****Format**

```
#include "r_tsip_rx_if.h"
e_tsip_err_t R_TSIP_Tls13GenerateResumptionHandshakeSecret(
 tsip_tls13_handle_t *handle,
 e_tsip_tls13_mode_t mode,
 tsip_tls13_ephemeral_pre_shared_key_index_t *pre_shared_key_index,
 tsip_tls13_ephemeral_shared_secret_key_index_t *shared_secret_key_index,
 tsip_tls13_ephemeral_handshake_secret_key_index_t *handshake_secret_key_index
)
```

**Parameters**

|                            |        |                                                                                                                                                                                                                                                   |
|----------------------------|--------|---------------------------------------------------------------------------------------------------------------------------------------------------------------------------------------------------------------------------------------------------|
| handle                     | Input  | Handle number (work area) indicating same session                                                                                                                                                                                                 |
| mode                       | Input  | Handshake protocol to use<br>TSIP_TLS13_MODE_FULL_HANDSHAKE:<br>Full handshake<br>TSIP_TLS13_MODE_RESUMPTION:<br>Resumption<br>TSIP_TLS13_MODE_0_RTT:<br>0-RTT                                                                                    |
| pre_shared_key_index       | Input  | Pre-shared key ephemeral wrapped key<br>Use the value of pre_shared_key_index output by R_TSIP_Tls13GeneratePreSharedKey.                                                                                                                         |
| shared_secret_key_index    | Input  | Shared secret ephemeral wrapped key<br>Use the value of shared_secret_key_index output by R_TSIP_Tls13GenerateEcdheSharedSecret.                                                                                                                  |
| handshake_secret_key_index | Output | Handshake secret ephemeral wrapped key<br>Use this value as the handshake_secret_key_index parameter input to R_TSIP_Tls13GenerateServerHandshakeTrafficKey, R_TSIP_Tls13GenerateClientHandshakeTrafficKey, and R_TSIP_Tls13GenerateMasterSecret. |

**Return Values**

|                             |                                                                                                                                       |
|-----------------------------|---------------------------------------------------------------------------------------------------------------------------------------|
| TSIP_SUCCESS:               | Normal termination                                                                                                                    |
| TSIP_FAIL                   | Occurrence of internal error                                                                                                          |
| TSIP_ERR_RESOURCE_CONFLICT: | Occurrence of resource conflict because a hardware resource needed by the processing routine was in use by another processing routine |
| TSIP_ERR_KEY_SET            | Invalid wrapped key input                                                                                                             |

**Description**

This API generates a handshake secret wrapped key, using the pre-shared wrapped key generated by R\_TSIP\_Tls13GeneratePreSharedKey, for use by the TLS 1.3 cooperation function.

Only pre-shared keys generated by the TSIP can be used. Other pre-shared keys are not supported.

**Reentrancy**

Not supported.

#### 4.2.15.14 R\_TSIP\_Tls13Generate0RttApplicationWriteKey

##### Format

```
#include "r_tsip_rx_if.h"
e_tsip_err_t R_TSIP_Tls13Generate0RttApplicationWriteKey(
 tsip_tls13_handle_t *handle,
 tsip_tls13_ephemeral_pre_shared_key_index_t *pre_shared_key_index,
 uint8_t *digest,
 tsip_aes_key_index_t *client_write_key_index
)
```

##### Parameters

| Parameter              | Direction    | Description                                                                                                                                                                                                              |
|------------------------|--------------|--------------------------------------------------------------------------------------------------------------------------------------------------------------------------------------------------------------------------|
| handle                 | Input/output | Handle number (work area) indicating same session                                                                                                                                                                        |
| pre_shared_key_index   | Input        | Pre-shared key ephemeral wrapped key<br>Use the value of pre_shared_key_index output by R_TSIP_Tls13GeneratePreSharedKey.                                                                                                |
| digest                 | Input        | Message hash calculated using SHA256<br>Calculate and input the hash value of ClientHello.<br>Use R_TSIP_Sha256Init/Update/Final to calculate the hash value and input as digest the value output by R_TSIP_Sha256Final. |
| client_write_key_index | Output       | Client write key ephemeral wrapped key<br>Use this value as the key_index parameter input to R_TSIP_Tls13EncryptInit.                                                                                                    |

##### Return Values

|                             |                                                                                                                                       |
|-----------------------------|---------------------------------------------------------------------------------------------------------------------------------------|
| TSIP_SUCCESS:               | Normal termination                                                                                                                    |
| TSIP_ERR_FAIL               | Occurrence of internal error                                                                                                          |
| TSIP_ERR_RESOURCE_CONFLICT: | Occurrence of resource conflict because a hardware resource needed by the processing routine was in use by another processing routine |
| TSIP_ERR_KEY_SET            | Invalid wrapped key input                                                                                                             |

##### Description

This API generates a client write wrapped key for use as 0-RTT, using the pre-shared key generated by R\_TSIP\_Tls13GeneratePreSharedKey, for use by the TLS 1.3 cooperation function.

As stated in section 2.3 of RFC 8446, when using 0-RTT the data is not forward secret and there are no guarantees of non-replay between connections. A judgment must be made with these risks in mind as to the use of this functionality.

##### Reentrancy

Not supported.

**4.2.15.15 R\_TSIP\_Tls13CertificateVerifyGenerate****Format**

```
#include "r_tsip_rx_if.h"
e_tsip_err_t R_TSIP_Tls13CertificateVerifyGenerate(
 uint32_t *key_index,
 e_tsip_tls13_signature_scheme_type_t signature_scheme,
 uint8_t *digest,
 uint8_t *certificate_verify,
 uint32_t *certificate_verify_len
)
```

**Parameters**

|                        |        |                                                                                                                                                                                                                                                                                                                                                                                                    |
|------------------------|--------|----------------------------------------------------------------------------------------------------------------------------------------------------------------------------------------------------------------------------------------------------------------------------------------------------------------------------------------------------------------------------------------------------|
| key_index              | Input  | Secret wrapped key for signature generation<br>Use the value of key_pair_index or key_index output by R_TSIP_GenerateEccP256PrivateKeyIndex, R_TSIP_GenerateEccP256RandomKeyIndex, R_TSIP_UpdateEccP256PrivateKeyIndex, R_TSIP_GenerateRsa2048PrivateKeyIndex, R_TSIP_GenerateRsa2048RandomKeyIndex, or R_TSIP_UpdateRsa2048PrivateKeyIndex.<br>Input this parameter after casting with uint32_t*. |
| signature_scheme       | Input  | Signature algorithm to be used<br>TSIP_TLS13_SIGNATURE_SCHEME_ECDSA_SECP256R1_SHA256:<br>ecdsa_secp256r1_sha256<br>TSIP_TLS13_SIGNATURE_SCHEME_RSA_PSS_RSAE_SHA256:<br>rsa_pss_rsae_sha256                                                                                                                                                                                                         |
| digest                 | Input  | Message hash calculated using SHA256<br>Calculate and input a hash value of the value of concatenated handshake messages such as (ClientHello  ServerHello  EncryptedExtensions  CertificateRequest  Certificate  CertificateVerify  ServerFinished  Certificate).<br>Use R_TSIP_Sha256Init/Update/Final to calculate the hash value and input as digest the value output by R_TSIP_Sha256Final.   |
| certificate_verify     | Output | CertificateVerify<br>Data is output in the format specified in RFC 8446 section 4.4.3, Certificate Verify.                                                                                                                                                                                                                                                                                         |
| certificate_verify_len | Output | Byte length of certificate_verify                                                                                                                                                                                                                                                                                                                                                                  |

**Return Values**

|                             |                                                                                                                                       |
|-----------------------------|---------------------------------------------------------------------------------------------------------------------------------------|
| TSIP_SUCCESS:               | Normal termination                                                                                                                    |
| TSIP_ERR_FAIL               | Occurrence of internal error                                                                                                          |
| TSIP_ERR_RESOURCE_CONFLICT: | Occurrence of resource conflict because a hardware resource needed by the processing routine was in use by another processing routine |
| TSIP_ERR_KEY_SET            | Invalid wrapped key input                                                                                                             |
| TSIP_ERR_PARAMETER          | Invalid input data                                                                                                                    |

**Description**

This API generates a CertificateVerify message to be sent to the server for use by the TLS 1.3 cooperation function. The algorithms used are ecdsa\_secp256r1\_sha256 and rsa\_pss\_rsae\_sha256.

**Reentrancy**

Not supported.

#### 4.2.15.16 R\_TSIP\_Tls13CertificateVerifyVerification

##### Format

```
#include "r_tsip_rx_if.h"
e_tsip_err_t R_TSIP_Tls13CertificateVerifyVerification(
 uint32_t *key_index,
 e_tsip_tls13_signature_scheme_type_t signature_scheme,
 uint8_t *digest,
 uint8_t *certificate_verify,
 uint32_t certificate_verify_len
)
```

##### Parameters

|                        |       |                                                                                                                                                                                                                                                                                                                                                   |
|------------------------|-------|---------------------------------------------------------------------------------------------------------------------------------------------------------------------------------------------------------------------------------------------------------------------------------------------------------------------------------------------------|
| key_index              | Input | Encrypted public key<br>Use the value of encrypted_output_public_key output by R_TSIP_TlsCertificateVerification or R_TSIP_TlsCertificateVerificationExtension.                                                                                                                                                                                   |
| signature_scheme       | Input | Signature algorithm to be used<br>TSIP_TLS13_SIGNATURE_SCHEME_ECDSA_SECP256R1_SHA256:<br>ecdsa_secp256r1_sha256<br>TSIP_TLS13_SIGNATURE_SCHEME_RSA_PSS_RSAE_SHA256:<br>rsa_pss_rsae_sha256                                                                                                                                                        |
| digest                 | Input | Message hash calculated using SHA256<br>Calculate and input a hash value of the value of concatenated handshake messages such as (ClientHello  ServerHello  EncryptedExtensions   CertificateRequest  Certificate).<br>Use R_TSIP_Sha256Init/Update/Final to calculate the hash value and input as digest the value output by R_TSIP_Sha256Final. |
| certificate_verify     | Input | CertificateVerify<br>Input the start address of the buffer for storing the data in the format specified in RFC 8446 section 4.4.3, Certificate Verify.                                                                                                                                                                                            |
| certificate_verify_len | Input | Byte length of certificate_verify                                                                                                                                                                                                                                                                                                                 |

##### Return Values

|                             |                                                                                                                                       |
|-----------------------------|---------------------------------------------------------------------------------------------------------------------------------------|
| TSIP_SUCCESS:               | Normal termination                                                                                                                    |
| TSIP_ERR_FAIL               | Internal error, or signature verification failure                                                                                     |
| TSIP_ERR_RESOURCE_CONFLICT: | Occurrence of resource conflict because a hardware resource needed by the processing routine was in use by another processing routine |
| TSIP_ERR_KEY_SET            | Invalid wrapped key input                                                                                                             |
| TSIP_ERR_PARAMETER          | Invalid input data                                                                                                                    |

##### Description

This API verifies a CertificateVerify message received from the server for use by the TLS 1.3 cooperation function. The algorithms used are ecdsa\_secp256r1\_sha256 and rsa\_pss\_rsae\_sha256.

**Reentrancy**

Not supported.

---

#### 4.2.15.17 R\_TSIP\_GenerateTls13SVP256EccKeyIndex

---

**Format**

```
#include "r_tsip_rx_if.h"
e_tsip_err_t R_TSIP_TlsGenerateTls13SVP256EccKeyIndex(
 tsip_tls13_handle_t *handle,
 e_tsip_tls13_mode_t mode,
 tsip_tls_p256_ecc_key_index_t *key_index,
 uint8_t *ephemeral_ecdh_public_key
)
```

**Parameters**

|                           |        |                                                                                                                                                                |
|---------------------------|--------|----------------------------------------------------------------------------------------------------------------------------------------------------------------|
| handle                    | Input  | Handle number (work area) indicating same session                                                                                                              |
| mode                      | Input  | Handshake protocol to use<br>TSIP_TLS13_MODE_FULL_HANDSHAKE:<br>Full handshake<br>TSIP_TLS13_MODE_RESUMPTION:<br>Resumption<br>TSIP_TLS13_MODE_0_RTT:<br>0-RTT |
| key_index                 | Output | Ephemeral ECC secret wrapped key<br>Use this value as the key_index parameter input to<br>R_TSIP_Tls13SVGenerateEcdheSharedSecret.                             |
| ephemeral_ecdh_public_key | Output | Ephemeral ECDH public key to be sent to the server<br>Qx (256 bits)    Qy (256 bits)                                                                           |

**Return Values**

|                             |                                                                                                                                       |
|-----------------------------|---------------------------------------------------------------------------------------------------------------------------------------|
| TSIP_SUCCESS:               | Normal termination                                                                                                                    |
| TSIP_ERR_FAIL:              | Occurrence of internal error                                                                                                          |
| TSIP_ERR_RESOURCE_CONFLICT: | Occurrence of resource conflict because a hardware resource needed by the processing routine was in use by another processing routine |

**Description**

This API generates from a random number a key pair for use by the server function of the TLS 1.3 cooperation function in performing elliptic curve cryptography over a 256-bit prime field.

**Reentrancy**

Not supported.



#### 4.2.15.18 R\_TSIP\_Tls13SVGenerateEcdheSharedSecret

##### Format

```
#include "r_tsip_rx_if.h"
e_tsip_err_t R_TSIP_Tls13SVGenerateEcdheSharedSecret(
 e_tsip_tls13_mode_t mode,
 uint8_t *client_public_key,
 tsip_tls_p256_ecc_key_index_t *key_index,
 tsip_tls13_ephemeral_shared_secret_key_index_t *shared_secret_key_index
)
```

##### Parameters

| Parameter               | Direction | Description                                                                                                                                                                                                     |
|-------------------------|-----------|-----------------------------------------------------------------------------------------------------------------------------------------------------------------------------------------------------------------|
| mode                    | Input     | Handshake protocol to use<br>TSIP_TLS13_MODE_FULL_HANDSHAKE:<br>Full handshake<br>TSIP_TLS13_MODE_RESUMPTION:<br>Resumption<br>TSIP_TLS13_MODE_0_RTT:<br>0-RTT                                                  |
| client_public_key       | Input     | Public key provided by the client<br>Qx (256 bits)    Qy (256 bits)                                                                                                                                             |
| key_index               | Input     | Ephemeral ECC secret wrapped key<br>Use the value of key_index output by<br>R_TSIP_GenerateTls13SVP256EccKeyIndex.                                                                                              |
| shared_secret_key_index | Output    | Shared secret ephemeral wrapped key<br>Use this value as the shared_secret_key_index<br>parameter input to<br>R_TSIP_Tls13SVGenerateHandshakeSecret and<br>R_TSIP_Tls13SVGenerateResumptionHandshake<br>Secret. |

##### Return Values

|                             |                                                                                                                                       |
|-----------------------------|---------------------------------------------------------------------------------------------------------------------------------------|
| TSIP_SUCCESS:               | Normal termination                                                                                                                    |
| TSIP_ERR_FAIL:              | Occurrence of internal error                                                                                                          |
| TSIP_ERR_RESOURCE_CONFLICT: | Occurrence of resource conflict because a hardware resource needed by the processing routine was in use by another processing routine |
| TSIP_ERR_KEY_SET            | Invalid wrapped key input                                                                                                             |

##### Description

This API calculates a shared secret, which is a shared key over a 256-bit prime field, using a public key provided by the server and a previously calculated secret key, and generates a wrapped key for use by the server function of the TLS 1.3 cooperation function.

Applicable cypher suites: TLS\_AES\_128\_GCM\_SHA256, TLS\_AES\_128\_CCM\_SHA256

Key exchange format: ECDHE NIST P-256

##### Reentrancy

Not supported.

**4.2.15.19 R\_TSIP\_Tls13SVGenerateHandshakeSecret****Format**

```
#include "r_tsip_rx_if.h"
e_tsip_err_t R_TSIP_Tls13SVGenerateHandshakeSecret(
 tsip_tls13_ephemeral_shared_secret_key_index_t *shared_secret_key_index,
 tsip_tls13_ephemeral_handshake_secret_key_index_t *handshake_secret_key_index
)
```

**Parameters**

|                            |        |                                                                                                                                                                                                                                                         |
|----------------------------|--------|---------------------------------------------------------------------------------------------------------------------------------------------------------------------------------------------------------------------------------------------------------|
| shared_secret_key_index    | Input  | Shared secret ephemeral wrapped key<br>Use the value of shared_secret_key_index output by R_TSIP_Tls13SVGenerateEcdheSharedSecret.                                                                                                                      |
| handshake_secret_key_index | Output | Handshake secret ephemeral wrapped key<br>Use this value as the handshake_secret_key_index parameter input to R_TSIP_Tls13SVGenerateServerHandshakeTrafficKey, R_TSIP_Tls13SVGenerateClientHandshakeTrafficKey, and R_TSIP_Tls13SVGenerateMasterSecret. |

**Return Values**

|                             |                                                                                                                                       |
|-----------------------------|---------------------------------------------------------------------------------------------------------------------------------------|
| TSIP_SUCCESS:               | Normal termination                                                                                                                    |
| TSIP_ERR_FAIL:              | Occurrence of internal error                                                                                                          |
| TSIP_ERR_RESOURCE_CONFLICT: | Occurrence of resource conflict because a hardware resource needed by the processing routine was in use by another processing routine |
| TSIP_ERR_KEY_SET            | Invalid wrapped key input                                                                                                             |

**Description**

This API generates a handshake secret wrapped key, using a shared secret ephemeral key, for use by the server function of the TLS 1.3 cooperation function.

**Reentrancy**

Not supported.

#### 4.2.15.20 R\_TSIP\_Tls13SVGenerateServerHandshakeTrafficKey

##### Format

```
#include "r_tsip_rx_if.h"
e_tsip_err_t R_TSIP_Tls13SVGenerateServerHandshakeTrafficKey(
 tsip_tls13_handle_t *handle,
 e_tsip_tls13_mode_t mode,
 tsip_tls13_ephemeral_handshake_secret_key_index_t *handshake_secret_key_index,
 uint8_t *digest,
 tsip_aes_key_index_t *server_write_key_index,
 tsip_hmac_sha_key_index_t *server_finished_key_index
)
```

##### Parameters

|                            |        |                                                                                                                                                                                                                                                  |
|----------------------------|--------|--------------------------------------------------------------------------------------------------------------------------------------------------------------------------------------------------------------------------------------------------|
| handle                     | Output | Handle number (work area) indicating same session                                                                                                                                                                                                |
| mode                       | Input  | Handshake protocol to use<br>TSIP_TLS13_MODE_FULL_HANDSHAKE:<br>Full handshake<br>TSIP_TLS13_MODE_RESUMPTION:<br>Resumption<br>TSIP_TLS13_MODE_0_RTT:<br>0-RTT                                                                                   |
| handshake_secret_key_index | Input  | Handshake secret ephemeral wrapped key<br>Use the value of handshake_secret_key_index output by<br>R_TSIP_Tls13SVGenerateHandshakeSecret or<br>R_TSIP_Tls13SVGenerateResumptionHandshakeSecret.                                                  |
| digest                     | Input  | Message hash calculated using SHA256<br>Calculate and input the hash value of<br>(ClientHello  ServerHello).<br>Use R_TSIP_Sha256Init/Update/Final to calculate the<br>hash value and input as digest the value output by<br>R_TSIP_Sha256Final. |
| server_write_key_index     | Output | Server write key ephemeral wrapped key<br>Use this value as the key_index parameter input to<br>R_TSIP_Tls13EncryptInit.                                                                                                                         |
| server_finished_key_index  | Output | Server finished key ephemeral wrapped key<br>Use this value as the key_index parameter input to<br>R_TSIP_Sha256HmacGenerateInit.                                                                                                                |

##### Return Values

|                             |                                                                                                                                             |
|-----------------------------|---------------------------------------------------------------------------------------------------------------------------------------------|
| TSIP_SUCCESS:               | Normal termination                                                                                                                          |
| TSIP_ERR_RESOURCE_CONFLICT: | Occurrence of resource conflict because a hardware<br>resource needed by the processing routine was in use<br>by another processing routine |
| TSIP_ERR_KEY_SET            | Invalid wrapped key input                                                                                                                   |

**Description**

This API generates, using the handshake secret output by R\_TSIP\_Tls13SVGenerateHandshakeSecret, a server write wrapped key and server finished wrapped key for use by the server function of the TLS 1.3 cooperation function.

**Reentrancy**

Not supported.

#### 4.2.15.21 R\_TSIP\_Tls13SVGenerateClientHandshakeTrafficKey

##### Format

```
#include "r_tsip_rx_if.h"
e_tsip_err_t R_TSIP_Tls13SVGenerateClientHandshakeTrafficKey(
 tsip_tls13_handle_t *handle,
 e_tsip_tls13_mode_t mode,
 tsip_tls13_ephemeral_handshake_secret_key_index_t *handshake_secret_key_index,
 uint8_t *digest,
 tsip_aes_key_index_t *client_write_key_index,
 tsip_tls13_ephemeral_client_finished_key_index_t *client_finished_key_index
)
```

##### Parameters

|                            |        |                                                                                                                                                                                                                                         |
|----------------------------|--------|-----------------------------------------------------------------------------------------------------------------------------------------------------------------------------------------------------------------------------------------|
| handle                     | Output | Handle number (work area) indicating same session                                                                                                                                                                                       |
| mode                       | Input  | Handshake protocol to use<br>TSIP_TLS13_MODE_FULL_HANDSHAKE:<br>Full handshake<br>TSIP_TLS13_MODE_RESUMPTION:<br>Resumption<br>TSIP_TLS13_MODE_0_RTT:<br>0-RTT                                                                          |
| handshake_secret_key_index | Input  | Handshake secret ephemeral wrapped key<br>Use the value of handshake_secret_key_index output by R_TSIP_Tls13SVGenerateHandshakeSecret or R_TSIP_Tls13SVGenerateResumptionHandshakeSecret.                                               |
| digest                     | Input  | Message hash calculated using SHA256<br>Calculate and input the hash value of (ClientHello  ServerHello).<br>Use R_TSIP_Sha256Init/Update/Final to calculate the hash value and input as digest the value output by R_TSIP_Sha256Final. |
| client_write_key_index     | Output | Client write key ephemeral wrapped key<br>Use this value as the key_index parameter input to R_TSIP_Tls13DecryptInit.                                                                                                                   |
| client_finished_key_index  | Output | Client finished key ephemeral wrapped key<br>Use this value as the client_finished_key_index parameter input to R_TSIP_Tls13SVClientHandshakeVerification.                                                                              |

##### Return Values

|                             |                                                                                                                                       |
|-----------------------------|---------------------------------------------------------------------------------------------------------------------------------------|
| TSIP_SUCCESS:               | Normal termination                                                                                                                    |
| TSIP_ERR_RESOURCE_CONFLICT: | Occurrence of resource conflict because a hardware resource needed by the processing routine was in use by another processing routine |
| TSIP_ERR_KEY_SET            | Invalid wrapped key input                                                                                                             |

##### Description

This API generates, using the handshake secret output by R\_TSIP\_Tls13SVGenerateHandshakeSecret, a client write wrapped key and client finished wrapped key for use by the server function of the TLS 1.3 cooperation function.

**Reentrancy**

Not supported.

#### 4.2.15.22 R\_TSIP\_Tls13SVClientHandshakeVerification

##### Format

```
#include "r_tsip_rx_if.h"
e_tsip_err_t R_TSIP_Tls13SVClientHandshakeVerification(
 e_tsip_tls13_mode_t mode,
 tsip_tls13_ephemeral_client_finished_key_index_t *client_finished_key_index,
 uint8_t *digest,
 uint8_t *client_finished
)
```

##### Parameters

| Parameter                 | Type  | Description                                                                                                                                                                                                                                                                                                                                                                                                                             |
|---------------------------|-------|-----------------------------------------------------------------------------------------------------------------------------------------------------------------------------------------------------------------------------------------------------------------------------------------------------------------------------------------------------------------------------------------------------------------------------------------|
| mode                      | Input | Handshake protocol to use<br>TSIP_TLS13_MODE_FULL_HANDSHAKE:<br>Full handshake<br>TSIP_TLS13_MODE_RESUMPTION:<br>Resumption<br>TSIP_TLS13_MODE_0_RTT:<br>0-RTT                                                                                                                                                                                                                                                                          |
| client_finished_key_index | Input | Client finished key ephemeral wrapped key<br>Use the value of client_finished_key_index output by<br>R_TSIP_Tls13SVGenerateClientHandshakeTrafficKey                                                                                                                                                                                                                                                                                    |
| digest                    | Input | Message hash calculated using SHA256<br>Calculate and input a hash value of the value of<br>concatenated handshake messages such as<br>(ClientHello  ServerHello  EncryptedExtensions<br>  CertificateRequest  Certificate  CertificateVerify<br>  ServerFinished  Certificate  CertificateVerify).<br>Use R_TSIP_Sha256Init/Update/Final to calculate the<br>hash value and input as digest the value output by<br>R_TSIP_Sha256Final. |
| client_finished           | Input | Finished information provided by the client<br>Input the start address of the buffer for storing the<br>ClientFinished data obtained from<br>R_TSIP_Tls13DecryptUpdate/Final.                                                                                                                                                                                                                                                           |

##### Return Values

|                             |                                                                                                                                             |
|-----------------------------|---------------------------------------------------------------------------------------------------------------------------------------------|
| TSIP_SUCCESS:               | Normal termination                                                                                                                          |
| TSIP_ERR_FAIL               | Occurrence of internal error                                                                                                                |
| TSIP_ERR_RESOURCE_CONFLICT: | Occurrence of resource conflict because a hardware<br>resource needed by the processing routine was in use<br>by another processing routine |
| TSIP_ERR_KEY_SET            | Invalid wrapped key input                                                                                                                   |
| TSIP_ERR_VERIFICATION_FAIL  | Verification failure                                                                                                                        |

##### Description

This API verifies handshake messages, using the Finished information provided by the client, for use by the server function of the TLS 1.3 cooperation function.

If this API returns a value of TSIP\_ERR\_VERIFICATION\_FAIL, halt TLS communication including the verified handshake messages.

**Reentrancy**

Not supported.



### 4.2.15.23 R\_TSIP\_Tls13SVGenerateMasterSecret

#### Format

```
#include "r_tsip_rx_if.h"
e_tsip_err_t R_TSIP_Tls13SVGenerateMasterSecret(
 tsip_tls13_handle_t *handle,
 e_tsip_tls13_mode_t mode,
 tsip_tls13_ephemeral_handshake_secret_key_index_t *handshake_secret_key_index,
 tsip_tls13_ephemeral_master_secret_key_index_t *master_secret_key_index
)
```

#### Parameters

|                            |        |                                                                                                                                                                                                       |
|----------------------------|--------|-------------------------------------------------------------------------------------------------------------------------------------------------------------------------------------------------------|
| handle                     | Output | Handle number (work area) indicating same session                                                                                                                                                     |
| mode                       | Input  | Handshake protocol to use<br>TSIP_TLS13_MODE_FULL_HANDSHAKE:<br>Full handshake<br>TSIP_TLS13_MODE_RESUMPTION:<br>Resumption<br>TSIP_TLS13_MODE_0_RTT:<br>0-RTT                                        |
| handshake_secret_key_index | Input  | Handshake secret ephemeral wrapped key<br>Use the value of handshake_secret_key_index output by R_TSIP_Tls13SVGenerateHandshakeSecret.                                                                |
| master_secret_key_index    | Output | Master secret ephemeral wrapped key<br>Use this value as the master_secret_key_index parameter input to R_TSIP_Tls13SVGenerateApplicationTrafficKey and R_TSIP_Tls13SVGenerateResumptionMasterSecret. |

#### Return Values

|                             |                                                                                                                                       |
|-----------------------------|---------------------------------------------------------------------------------------------------------------------------------------|
| TSIP_SUCCESS:               | Normal termination                                                                                                                    |
| TSIP_ERR_FAIL               | Occurrence of internal error                                                                                                          |
| TSIP_ERR_RESOURCE_CONFLICT: | Occurrence of resource conflict because a hardware resource needed by the processing routine was in use by another processing routine |
| TSIP_ERR_KEY_SET            | Invalid wrapped key input                                                                                                             |

#### Description

This API generates a master secret ephemeral wrapped key, using a handshake secret ephemeral key, for use by the server function of the TLS 1.3 cooperation function.

#### Reentrancy

Not supported.

#### 4.2.15.24 R\_TSIP\_Tls13SVGenerateApplicationTrafficKey

##### Format

```
#include "r_tsip_rx_if.h"
e_tsip_err_t R_TSIP_Tls13SVGenerateApplicationTrafficKey(
 tsip_tls13_handle_t *handle,
 e_tsip_tls13_mode_t mode,
 tsip_tls13_ephemeral_master_secret_key_index_t *master_secret_key_index,
 uint8_t *digest,
 tsip_tls13_ephemeral_app_secret_key_index_t *server_app_secret_key_index,
 tsip_tls13_ephemeral_app_secret_key_index_t *client_app_secret_key_index,
 tsip_aes_key_index_t *server_write_key_index,
 tsip_aes_key_index_t *client_write_key_index
)
```

##### Parameters

|                             |              |                                                                                                                                                                                                                                                                                                                                                                                       |
|-----------------------------|--------------|---------------------------------------------------------------------------------------------------------------------------------------------------------------------------------------------------------------------------------------------------------------------------------------------------------------------------------------------------------------------------------------|
| handle                      | Input/output | Handle number (work area) indicating same session                                                                                                                                                                                                                                                                                                                                     |
| mode                        | Input        | Handshake protocol to use<br>TSIP_TLS13_MODE_FULL_HANDSHAKE:<br>Full handshake<br>TSIP_TLS13_MODE_RESUMPTION:<br>Resumption<br>TSIP_TLS13_MODE_0_RTT:<br>0-RTT                                                                                                                                                                                                                        |
| master_secret_key_index     | Input        | Master secret ephemeral wrapped key<br>Use the value of master_secret_key_index output by R_TSIP_Tls13SVGenerateMasterSecret.                                                                                                                                                                                                                                                         |
| digest                      | Input        | Message hash calculated using SHA256<br>Calculate and input a hash value of the value of concatenated handshake messages such as (ClientHello  ServerHello  EncryptedExtensions   CertificateRequest  Certificate  CertificateVerify   ServerFinished).<br>Use R_TSIP_Sha256Init/Update/Final to calculate the hash value and input as digest the value output by R_TSIP_Sha256Final. |
| server_app_secret_key_index | Output       | Server application traffic secret ephemeral wrapped key<br>Use this value as the input_app_secret_key_index parameter input to R_TSIP_Tls13SVUpdateApplicationTrafficKey.                                                                                                                                                                                                             |
| client_app_secret_key_index | Output       | Client application traffic secret ephemeral wrapped key<br>Use this value as the input_app_secret_key_index parameter input to R_TSIP_Tls13SVUpdateApplicationTrafficKey.                                                                                                                                                                                                             |
| server_write_key_index      | Output       | Server write key ephemeral wrapped key<br>Use this value as the key_index parameter input to R_TSIP_Tls13EncryptInit                                                                                                                                                                                                                                                                  |
| client_write_key_index      | Output       | Client write key ephemeral wrapped key<br>Use this value as the key_index parameter input to R_TSIP_Tls13DecryptInit.                                                                                                                                                                                                                                                                 |

**Return Values**

|                             |                                                                                                                                       |
|-----------------------------|---------------------------------------------------------------------------------------------------------------------------------------|
| TSIP_SUCCESS:               | Normal termination                                                                                                                    |
| TSIP_ERR_RESOURCE_CONFLICT: | Occurrence of resource conflict because a hardware resource needed by the processing routine was in use by another processing routine |
| TSIP_ERR_KEY_SET            | Invalid wrapped key input                                                                                                             |

**Description**

This API generates an application traffic secret wrapped key, using a master secret ephemeral key, for use by the server function of the TLS 1.3 cooperation function. It also generates server write key and client write key ephemeral wrapped keys.

When application data is sent from the server without waiting to receive ClientFinished messages and a ClientFinished verification error occurs, the error can only be detected under conditions in which the server program has not been tampered with. A judgment must be made with these risks in mind as to the use of this functionality.

**Reentrancy**

Not supported.

#### 4.2.15.25 R\_TSIP\_Tls13SVUpdateApplicationTrafficKey

##### Format

```
#include "r_tsip_rx_if.h"
e_tsip_err_t R_TSIP_Tls13SVUpdateApplicationTrafficKey(
 tsip_tls13_handle_t *handle,
 e_tsip_tls13_mode_t mode,
 e_tsip_tls13_update_key_type_t key_type,
 tsip_tls13_ephemeral_app_secret_key_index_t *input_app_secret_key_index,
 tsip_tls13_ephemeral_app_secret_key_index_t *output_app_secret_key_index,
 tsip_aes_key_index_t *app_write_key_index
)
```

##### Parameters

|                             |              |                                                                                                                                                                                                                                                                                                                                                        |
|-----------------------------|--------------|--------------------------------------------------------------------------------------------------------------------------------------------------------------------------------------------------------------------------------------------------------------------------------------------------------------------------------------------------------|
| handle                      | Input/output | Handle number (work area) indicating same session                                                                                                                                                                                                                                                                                                      |
| mode                        | Input        | Handshake protocol to use<br>TSIP_TLS13_MODE_FULL_HANDSHAKE:<br>Full handshake<br>TSIP_TLS13_MODE_RESUMPTION:<br>Resumption<br>TSIP_TLS13_MODE_0_RTT:<br>0-RTT                                                                                                                                                                                         |
| key_type                    | Input        | Type of key to be updated<br>TSIP_TLS13_UPDATE_SERVER_KEY:<br>Server application traffic secret<br>TSIP_TLS13_UPDATE_CLIENT_KEY:<br>Client application traffic secret                                                                                                                                                                                  |
| input_app_secret_key_index  | Input        | Ephemeral wrapped key of input server/client application traffic secret<br>Use as input either<br>server/client_app_secret_key_index output by<br>R_TSIP_Tls13SVGenerateApplicationTrafficKey or<br>output_app_secret_key_index output by<br>R_TSIP_Tls13SVUpdateApplicationTrafficKey,<br>whichever matches the type of key specified by<br>key_type. |
| output_app_secret_key_index | Output       | Ephemeral wrapped key of output server/client application traffic secret<br>Output matching the type of key specified by<br>key_type is obtained.<br>Use this value as the input_app_secret_key_index<br>parameter input to<br>R_TSIP_Tls13SVUpdateApplicationTrafficKey.                                                                              |
| app_write_key_index         | Output       | Server/client write key ephemeral wrapped key<br>Output matching the type of key specified by<br>key_type is obtained.<br>Use ServerWriteKey as the key_index parameter<br>input to R_TSIP_Tls13EncryptInit.<br>Use ClientWriteKey as the key_index parameter<br>input to R_TSIP_Tls13DecryptInit.                                                     |

**Return Values**

|                             |                                                                                                                                       |
|-----------------------------|---------------------------------------------------------------------------------------------------------------------------------------|
| TSIP_SUCCESS:               | Normal termination                                                                                                                    |
| TSIP_ERR_FAIL               | Occurrence of internal error                                                                                                          |
| TSIP_ERR_RESOURCE_CONFLICT: | Occurrence of resource conflict because a hardware resource needed by the processing routine was in use by another processing routine |
| TSIP_ERR_KEY_SET            | Invalid wrapped key input                                                                                                             |
| TSIP_ERR_PARAMETER          | Invalid input data                                                                                                                    |

**Description**

This API updates, using an application traffic secret, an encryption wrapped key corresponding to an application traffic secret wrapped key for use by the server function of the TLS 1.3 cooperation function.

**Reentrancy**

Not supported.

**4.2.15.26 R\_TSIP\_Tls13SVGenerateResumptionMasterSecret****Format**

```
#include "r_tsip_rx_if.h"
e_tsip_err_t R_TSIP_Tls13SVGenerateResumptionMasterSecret(
 tsip_tls13_handle_t *handle,
 e_tsip_tls13_mode_t mode,
 tsip_tls13_ephemeral_master_secret_key_index_t *master_secret_key_index,
 uint8_t *digest,
 tsip_tls13_ephemeral_res_master_secret_key_index_t *res_master_secret_key_index
)
```

**Parameters**

|                             |        |                                                                                                                                                                                                                                                                                                                                                                                                                                     |
|-----------------------------|--------|-------------------------------------------------------------------------------------------------------------------------------------------------------------------------------------------------------------------------------------------------------------------------------------------------------------------------------------------------------------------------------------------------------------------------------------|
| handle                      | Input  | Handle number (work area) indicating same session                                                                                                                                                                                                                                                                                                                                                                                   |
| mode                        | Input  | Handshake protocol to use<br>TSIP_TLS13_MODE_FULL_HANDSHAKE:<br>Full handshake<br>TSIP_TLS13_MODE_RESUMPTION:<br>Resumption<br>TSIP_TLS13_MODE_0_RTT:<br>0-RTT                                                                                                                                                                                                                                                                      |
| master_secret_key_index     | Input  | Handshake secret ephemeral wrapped key<br>Use the value of handshake_secret_key_index output by R_TSIP_Tls13SVGenerateHandshakeSecret.                                                                                                                                                                                                                                                                                              |
| digest                      | Input  | Message hash calculated using SHA256<br>Calculate and input a hash value of the value of concatenated handshake messages such as (ClientHello  ServerHello  EncryptedExtensions  CertificateRequest  Certificate  CertificateVerify  ServerFinished  Certificate  CertificateVerify  ClientFinished).<br>Use R_TSIP_Sha256Init/Update/Final to calculate the hash value and input as digest the value output by R_TSIP_Sha256Final. |
| res_master_secret_key_index | Output | Resumption master secret ephemeral wrapped key<br>Use this value as the res_master_secret_key_index parameter input to R_TSIP_Tls13SVGeneratePreSharedKey.                                                                                                                                                                                                                                                                          |

**Return Values**

|                             |                                                                                                                                       |
|-----------------------------|---------------------------------------------------------------------------------------------------------------------------------------|
| TSIP_SUCCESS:               | Normal termination                                                                                                                    |
| TSIP_ERR_RESOURCE_CONFLICT: | Occurrence of resource conflict because a hardware resource needed by the processing routine was in use by another processing routine |
| TSIP_ERR_KEY_SET            | Invalid wrapped key input                                                                                                             |

**Description**

This API generates a resumption master secret wrapped key, using a master secret ephemeral key, for use by the server function of the TLS 1.3 cooperation function.

As specified in RFC 8446, delete `master_secret_key_index`, the master secret ephemeral wrapped key, after generating a resumption master secret wrapped key using this API.

**Reentrancy**

Not supported.

#### 4.2.15.27 R\_TSIP\_Tls13SVGeneratePreSharedKey

##### Format

```
#include "r_tsip_rx_if.h"
e_tsip_err_t R_TSIP_Tls13SVGeneratePreSharedKey(
 tsip_tls13_handle_t *handle,
 e_tsip_tls13_mode_t mode,
 tsip_tls13_ephemeral_res_master_secret_key_index_t *res_master_secret_key_index,
 uint8_t *ticket_nonce,
 uint32_t ticket_nonce_len,
 tsip_tls13_ephemeral_pre_shared_key_index_t *pre_shared_key_index
)
```

##### Parameters

|                             |        |                                                                                                                                                                                                                                               |
|-----------------------------|--------|-----------------------------------------------------------------------------------------------------------------------------------------------------------------------------------------------------------------------------------------------|
| handle                      | Input  | Handle number (work area) indicating same session                                                                                                                                                                                             |
| mode                        | Input  | Handshake protocol to use<br>TSIP_TLS13_MODE_FULL_HANDSHAKE:<br>Full handshake<br>TSIP_TLS13_MODE_RESUMPTION:<br>Resumption<br>TSIP_TLS13_MODE_0_RTT:<br>0-RTT                                                                                |
| res_master_secret_key_index | Input  | Resumption master secret ephemeral wrapped key<br>Use the value of res_master_secret_key_index output by R_TSIP_Tls13SVGenerateResumptionMasterSecret.                                                                                        |
| ticket_nonce                | Input  | Ticket nonce provided by the server<br>If the size of the ticket nonce is not a multiple of 16 bytes, pad it with zeros to make it a multiple of 16 bytes before input.                                                                       |
| ticket_nonce_len            | Input  | Byte length of ticket nonce<br>Maximum size is 255 byte.                                                                                                                                                                                      |
| pre_shared_key_index        | Output | Pre-shared key ephemeral wrapped key<br>Use this value as the pre_shared_key_index parameter input to R_TSIP_Tls13SVGeneratePskBinderKey, R_TSIP_Tls13SVGenerateResumptionHandshakeSecret, and R_TSIP_Tls13SVGenerateORttApplicationWriteKey. |

##### Return Values

|                             |                                                                                                                                       |
|-----------------------------|---------------------------------------------------------------------------------------------------------------------------------------|
| TSIP_SUCCESS:               | Normal termination                                                                                                                    |
| TSIP_FAIL                   | Occurrence of internal error                                                                                                          |
| TSIP_ERR_RESOURCE_CONFLICT: | Occurrence of resource conflict because a hardware resource needed by the processing routine was in use by another processing routine |
| TSIP_ERR_KEY_SET            | Invalid wrapped key input                                                                                                             |

##### Description

This API generates, using a resumption master secret ephemeral key, a pre-shared wrapped key from new session ticket information for use by the server function of the TLS 1.3 cooperation function.



**Reentrancy**

Not supported.

**4.2.15.28 R\_TSIP\_Tls13SVGeneratePskBinderKey****Format**

```
#include "r_tsip_rx_if.h"
e_tsip_err_t R_TSIP_Tls13SVGeneratePskBinderKey(
 tsip_tls13_handle_t *handle,
 tsip_tls13_ephemeral_pre_shared_key_index_t *pre_shared_key_index,
 tsip_hmac_sha_key_index_t *psk_binder_key_index
)
```

**Parameters**

|                      |        |                                                                                                                                                                  |
|----------------------|--------|------------------------------------------------------------------------------------------------------------------------------------------------------------------|
| handle               | Input  | Handle number (work area) indicating same session                                                                                                                |
| pre_shared_key_index | Input  | Pre-shared key ephemeral wrapped key<br>Use the value of pre_shared_key_index output by R_TSIP_Tls13SVGeneratePreSharedKey.                                      |
| psk_binder_key_index | Output | Psk binder key ephemeral wrapped key<br>Use this value to generate PskBinder.<br>Use this value as the key_index parameter input to R_TSIP_Sha256HmacVerifyInit. |

**Return Values**

|                             |                                                                                                                                       |
|-----------------------------|---------------------------------------------------------------------------------------------------------------------------------------|
| TSIP_SUCCESS:               | Normal termination                                                                                                                    |
| TSIP_ERR_FAIL               | Occurrence of internal error                                                                                                          |
| TSIP_ERR_RESOURCE_CONFLICT: | Occurrence of resource conflict because a hardware resource needed by the processing routine was in use by another processing routine |
| TSIP_ERR_KEY_SET            | Invalid wrapped key input                                                                                                             |

**Description**

This API generates a binder wrapped key for use by the server function of the TLS 1.3 cooperation function.

**Reentrancy**

Not supported.

**4.2.15.29 R\_TSIP\_Tls13SVGenerateResumptionHandshakeSecret****Format**

```
#include "r_tsip_rx_if.h"
e_tsip_err_t R_TSIP_Tls13SVGenerateResumptionHandshakeSecret(
 tsip_tls13_handle_t *handle,
 e_tsip_tls13_mode_t mode,
 tsip_tls13_ephemeral_pre_shared_key_index_t *pre_shared_key_index,
 tsip_tls13_ephemeral_shared_secret_key_index_t *shared_secret_key_index,
 tsip_tls13_ephemeral_handshake_secret_key_index_t *handshake_secret_key_index
)
```

**Parameters**

|                            |        |                                                                                                                                                                                                                                                         |
|----------------------------|--------|---------------------------------------------------------------------------------------------------------------------------------------------------------------------------------------------------------------------------------------------------------|
| handle                     | Input  | Handle number (work area) indicating same session                                                                                                                                                                                                       |
| mode                       | Input  | Handshake protocol to use<br>TSIP_TLS13_MODE_FULL_HANDSHAKE:<br>Full handshake<br>TSIP_TLS13_MODE_RESUMPTION:<br>Resumption<br>TSIP_TLS13_MODE_0_RTT:<br>0-RTT                                                                                          |
| pre_shared_key_index       | Input  | Pre-shared key ephemeral wrapped key<br>Use the value of pre_shared_key_index output by R_TSIP_Tls13SVGeneratePreSharedKey.                                                                                                                             |
| shared_secret_key_index    | Input  | Shared secret ephemeral wrapped key<br>Use the value of shared_secret_key_index output by R_TSIP_Tls13SVGenerateEcdheSharedSecret.                                                                                                                      |
| handshake_secret_key_index | Output | Handshake secret ephemeral wrapped key<br>Use this value as the handshake_secret_key_index parameter input to R_TSIP_Tls13SVGenerateServerHandshakeTrafficKey, R_TSIP_Tls13SVGenerateClientHandshakeTrafficKey, and R_TSIP_Tls13SVGenerateMasterSecret. |

**Return Values**

|                             |                                                                                                                                       |
|-----------------------------|---------------------------------------------------------------------------------------------------------------------------------------|
| TSIP_SUCCESS:               | Normal termination                                                                                                                    |
| TSIP_FAIL                   | Occurrence of internal error                                                                                                          |
| TSIP_ERR_RESOURCE_CONFLICT: | Occurrence of resource conflict because a hardware resource needed by the processing routine was in use by another processing routine |
| TSIP_ERR_KEY_SET            | Invalid wrapped key input                                                                                                             |

**Description**

This API generates a handshake secret wrapped key, using the pre-shared wrapped key generated by R\_TSIP\_Tls13GeneratePreSharedKey, for use by the server function of the TLS 1.3 cooperation function.

Only pre-shared keys generated by the TSIP can be used. Other pre-shared keys are not supported.

**Reentrancy**

Not supported.

**4.2.15.30 R\_TSIP\_Tls13SVGenerate0RttApplicationWriteKey****Format**

```
#include "r_tsip_rx_if.h"
e_tsip_err_t R_TSIP_Tls13SVGenerate0RttApplicationWriteKey(
 tsip_tls13_handle_t *handle,
 tsip_tls13_ephemeral_pre_shared_key_index_t *pre_shared_key_index,
 uint8_t *digest,
 tsip_aes_key_index_t *client_write_key_index
)
```

**Parameters**

|                        |              |                                                                                                                                                                                                                          |
|------------------------|--------------|--------------------------------------------------------------------------------------------------------------------------------------------------------------------------------------------------------------------------|
| handle                 | Input/output | Handle number (work area) indicating same session                                                                                                                                                                        |
| pre_shared_key_index   | Input        | Pre-shared key ephemeral wrapped key<br>Use the value of pre_shared_key_index output by R_TSIP_Tls13SVGeneratePreSharedKey.                                                                                              |
| digest                 | Input        | Message hash calculated using SHA256<br>Calculate and input the hash value of ClientHello.<br>Use R_TSIP_Sha256Init/Update/Final to calculate the hash value and input as digest the value output by R_TSIP_Sha256Final. |
| client_write_key_index | Output       | Client write key ephemeral wrapped key<br>Use this value as the key_index parameter input to R_TSIP_Tls13DecryptInit.                                                                                                    |

**Return Values**

|                             |                                                                                                                                       |
|-----------------------------|---------------------------------------------------------------------------------------------------------------------------------------|
| TSIP_SUCCESS:               | Normal termination                                                                                                                    |
| TSIP_ERR_FAIL               | Occurrence of internal error                                                                                                          |
| TSIP_ERR_RESOURCE_CONFLICT: | Occurrence of resource conflict because a hardware resource needed by the processing routine was in use by another processing routine |
| TSIP_ERR_KEY_SET            | Invalid wrapped key input                                                                                                             |

**Description**

This API generates a client write wrapped key for use as 0-RTT, using the pre-shared key generated by R\_TSIP\_Tls13GeneratePreSharedKey, for use by the server function of the TLS 1.3 cooperation function.

As stated in section 2.3 of RFC 8446, when using 0-RTT the data is not forward secret and there are no guarantees of non-replay between connections. A judgment must be made with these risks in mind as to the use of this functionality.

**Reentrancy**

Not supported.

### 4.2.15.31 R\_TSIP\_Tls13SVCertificateVerifyGenerate

#### Format

```
#include "r_tsip_rx_if.h"
e_tsip_err_t R_TSIP_Tls13SVCertificateVerifyGenerate(
 uint32_t *key_index,
 e_tsip_tls13_signature_scheme_type_t signature_scheme,
 uint8_t *digest,
 uint8_t *certificate_verify,
 uint32_t *certificate_verify_len
)
```

#### Parameters

|                        |        |                                                                                                                                                                                                                                                                                                                                                                                                    |
|------------------------|--------|----------------------------------------------------------------------------------------------------------------------------------------------------------------------------------------------------------------------------------------------------------------------------------------------------------------------------------------------------------------------------------------------------|
| key_index              | Input  | Secret wrapped key for signature generation<br>Use the value of key_pair_index or key_index output by R_TSIP_GenerateEccP256PrivateKeyIndex, R_TSIP_GenerateEccP256RandomKeyIndex, R_TSIP_UpdateEccP256PrivateKeyIndex, R_TSIP_GenerateRsa2048PrivateKeyIndex, R_TSIP_GenerateRsa2048RandomKeyIndex, or R_TSIP_UpdateRsa2048PrivateKeyIndex.<br>Input this parameter after casting with uint32_t*. |
| signature_scheme       | Input  | Signature algorithm to be used<br>TSIP_TLS13_SIGNATURE_SCHEME_ECDSA_SECP256R1_SHA256:<br>ecdsa_secp256r1_sha256<br>TSIP_TLS13_SIGNATURE_SCHEME_RSA_PSS_RSAE_SHA256:<br>rsa_pss_rsae_sha256                                                                                                                                                                                                         |
| digest                 | Input  | Message hash calculated using SHA256<br>Calculate and input a hash value of the value of concatenated handshake messages such as (ClientHello  ServerHello  EncryptedExtensions  CertificateRequest  Certificate).<br>Use R_TSIP_Sha256Init/Update/Final to calculate the hash value and input as digest the value output by R_TSIP_Sha256Final.                                                   |
| certificate_verify     | Output | CertificateVerify<br>Data is output in the format specified in RFC 8446 section 4.4.3, Certificate Verify.                                                                                                                                                                                                                                                                                         |
| certificate_verify_len | Output | Byte length of certificate_verify                                                                                                                                                                                                                                                                                                                                                                  |

#### Return Values

|                             |                                                                                                                                       |
|-----------------------------|---------------------------------------------------------------------------------------------------------------------------------------|
| TSIP_SUCCESS:               | Normal termination                                                                                                                    |
| TSIP_ERR_FAIL               | Occurrence of internal error                                                                                                          |
| TSIP_ERR_RESOURCE_CONFLICT: | Occurrence of resource conflict because a hardware resource needed by the processing routine was in use by another processing routine |
| TSIP_ERR_KEY_SET            | Invalid wrapped key input                                                                                                             |
| TSIP_ERR_PARAMETER          | Invalid input data                                                                                                                    |

#### Description

This API generates a CertificateVerify message to be sent to the client for use by the server function of the TLS 1.3 cooperation function. The algorithms used are ecdsa\_secp256r1\_sha256 and rsa\_pss\_rsae\_sha256.

**Reentrancy**

Not supported.

### 4.2.15.32 R\_TSIP\_Tls13SVCertificateVerifyVerification

#### Format

```
#include "r_tsip_rx_if.h"
e_tsip_err_t R_TSIP_Tls13SVCertificateVerifyVerification(
 uint32_t *key_index,
 e_tsip_tls13_signature_scheme_type_t signature_scheme,
 uint8_t *digest,
 uint8_t *certificate_verify,
 uint32_t certificate_verify_len
)
```

#### Parameters

|                        |       |                                                                                                                                                                                                                                                                                                                                                                                                    |
|------------------------|-------|----------------------------------------------------------------------------------------------------------------------------------------------------------------------------------------------------------------------------------------------------------------------------------------------------------------------------------------------------------------------------------------------------|
| key_index              | Input | Encrypted public key<br>Use encrypted_output_public_key output by R_TSIP_TlsCertificateVerification or R_TSIP_TlsCertificateVerificationExtension.                                                                                                                                                                                                                                                 |
| signature_scheme       | Input | Signature algorithm to be used<br>TSIP_TLS13_SIGNATURE_SCHEME_ECDSA_SECP256R1_SHA256:<br>ecdsa_secp256r1_sha256<br>TSIP_TLS13_SIGNATURE_SCHEME_RSA_PSS_RSAE_SHA256:<br>rsa_pss_rsae_sha256                                                                                                                                                                                                         |
| digest                 | Input | Message hash calculated using SHA256<br>Calculate and input a hash value of the value of concatenated handshake messages such as (ClientHello  ServerHello  EncryptedExtensions   CertificateRequest  Certificate  CertificateVerify   ServerFinished  Certificate).<br>Use R_TSIP_Sha256Init/Update/Final to calculate the hash value and input as digest the value output by R_TSIP_Sha256Final. |
| certificate_verify     | Input | CertificateVerify<br>Input the start address of the buffer for storing the data in the format specified in RFC 8446 section 4.4.3, Certificate Verify.                                                                                                                                                                                                                                             |
| certificate_verify_len | Input | Byte length of certificate_verify                                                                                                                                                                                                                                                                                                                                                                  |

#### Return Values

|                             |                                                                                                                                       |
|-----------------------------|---------------------------------------------------------------------------------------------------------------------------------------|
| TSIP_SUCCESS:               | Normal termination                                                                                                                    |
| TSIP_ERR_FAIL               | Internal error, or signature verification failure                                                                                     |
| TSIP_ERR_RESOURCE_CONFLICT: | Occurrence of resource conflict because a hardware resource needed by the processing routine was in use by another processing routine |
| TSIP_ERR_KEY_SET            | Invalid wrapped key input                                                                                                             |
| TSIP_ERR_PARAMETER          | Invalid input data                                                                                                                    |

#### Description

This API verifies a CertificateVerify message received from the client for use by the server function of the TLS 1.3 cooperation function. The algorithms used are ecdsa\_secp256r1\_sha256 and rsa\_pss\_rsae\_sha256.

**Reentrancy**

Not supported.



### 4.2.15.33 R\_TSIP\_Tls13EncryptInit

#### Format

```
#include "r_tsip_rx_if.h"
e_tsip_err_t R_TSIP_Tls13EncryptInit(
 tsip_tls13_handle_t *handle,
 e_tsip_tls13_phase_t phase,
 e_tsip_tls13_mode_t mode,
 e_tsip_tls13_cipher_suite_t cipher_suite,
 tsip_aes_key_index_t *key_index,
 uint32_t payload_length
)
```

#### Parameters

|                |        |                                                                                                                                                                |
|----------------|--------|----------------------------------------------------------------------------------------------------------------------------------------------------------------|
| handle         | Output | TLS 1.3 handler (work area)                                                                                                                                    |
| phase          | Input  | Communication phase<br>TSIP_TLS13_PHASE_HANDSHAKE:<br>Handshake phase<br>TSIP_TLS13_PHASE_APPLICATION:<br>Application phase                                    |
| mode           | Input  | Handshake protocol to use<br>TSIP_TLS13_MODE_FULL_HANDSHAKE:<br>Full handshake<br>TSIP_TLS13_MODE_RESUMPTION:<br>Resumption<br>TSIP_TLS13_MODE_0_RTT:<br>0-RTT |
| cipher_suite   | Input  | Cypher suite<br>TSIP_TLS13_CIPHER_SUITE_AES_128_GCM_SHA256:<br>TLS_AES_128_GCM_SHA256<br>TSIP_TLS13_CIPHER_SUITE_AES_128_CCM_SHA256:<br>TLS_AES_128_CCM_SHA256 |
| key_index      | Input  | Ephemeral wrapped key of key used for encryption                                                                                                               |
| payload_length | Input  | Byte length of data to be encrypted                                                                                                                            |

#### Return Values

|                             |                                                                                                                                       |
|-----------------------------|---------------------------------------------------------------------------------------------------------------------------------------|
| TSIP_SUCCESS:               | Normal termination                                                                                                                    |
| TSIP_ERR_FAIL               | Occurrence of internal error                                                                                                          |
| TSIP_ERR_RESOURCE_CONFLICT: | Occurrence of resource conflict because a hardware resource needed by the processing routine was in use by another processing routine |
| TSIP_ERR_KEY_SET            | Invalid wrapped key input                                                                                                             |

#### Description

The R\_TSIP\_Tls13EncryptInit() function performs preparations for the encryption of TLS 1.3 communication data and writes the result to the first parameter, handle. The parameter handle is used subsequently as a parameter by the R\_TSIP\_Tls13EncryptUpdate() and R\_TSIP\_Tls13EncryptFinal() functions.

**Reentrancy**

Not supported.

---

#### 4.2.15.34 R\_TSIP\_Tls13EncryptUpdate

---

**Format**

```
#include "r_tsip_rx_if.h"
e_tsip_err_t R_TSIP_Tls13EncryptUpdate(
 tsip_tls13_handle_t *handle,
 uint8_t *plain,
 uint8_t *cipher,
 uint32_t plain_length
)
```

**Parameters**

|              |              |                             |
|--------------|--------------|-----------------------------|
| handle       | Input/output | TLS 1.3 handler (work area) |
| plain        | Input        | Plaintext data area         |
| cipher       | Output       | Ciphertext data area        |
| plain_length | Input        | Plaintext data length       |

**Return Values**

|                            |                         |
|----------------------------|-------------------------|
| TSIP_SUCCESS:              | Normal termination      |
| TSIP_ERR_PARAMETER         | Invalid input data      |
| TSIP_ERR_PROHIBIT_FUNCTION | Invalid function called |

**Description**

The R\_TSIP\_Tls13EncryptUpdate() function encrypts the plaintext specified by the second parameter, plain, using the value specified for key\_index in R\_TSIP\_Tls13EncryptInit() function. The function internally buffers the data input by the user until the input value of plain exceeds 16 bytes. Once the input data from plain reaches 16 bytes or more, the encrypted result is output to the area specified by the third parameter, cipher. Specify as the payload\_length parameter of R\_TSIP\_Tls13EncryptInit() function the total data length of the data to be input as plain. For the plain\_length parameter of this function, specify the data length to be input when the user calls the function. If the input value of plain is not divisible by 16 bytes, the function performs padding internally.

Except in cases where the addresses are the same, specify areas for plain and cipher that do not overlap.

**Reentrancy**

Not supported.

---

**4.2.15.35 R\_TSIP\_Tls13EncryptFinal**

---

**Format**

```
#include "r_tsip_rx_if.h"
e_tsip_err_t R_TSIP_Tls13EncryptFinal(
 tsip_tls13_handle_t *handle,
 uint8_t *cipher,
 uint32_t *cipher_length
)
```

**Parameters**

|               |              |                             |
|---------------|--------------|-----------------------------|
| handle        | Input/output | TLS 1.3 handler (work area) |
| cipher        | Output       | Ciphertext data area        |
| cipher_length | Output       | Ciphertext data length      |

**Return Values**

|                            |                              |
|----------------------------|------------------------------|
| TSIP_SUCCESS:              | Normal termination           |
| TSIP_ERR_FAIL              | Occurrence of internal error |
| TSIP_ERR_PARAMETER         | Invalid input data           |
| TSIP_ERR_PROHIBIT_FUNCTION | Invalid function called      |

**Description**

If there is 16-byte fractional remainder data indicated by the data length of the value of plain input to R\_TSIP\_Tls13EncryptUpdate() function, the R\_TSIP\_Tls13EncryptFinal() function outputs the result of encrypting the fractional remainder data to the area specified by the second parameter, cipher. At this time, if the data is less than 16 bytes, it is padded with zeros by the function internally.

**Reentrancy**

Not supported.

### 4.2.15.36 R\_TSIP\_Tls13DecryptInit

#### Format

```
#include "r_tsip_rx_if.h"
e_tsip_err_t R_TSIP_Tls13DecryptInit(
 tsip_tls13_handle_t *handle,
 e_tsip_tls13_phase_t phase,
 e_tsip_tls13_mode_t mode,
 e_tsip_tls13_cipher_suite_t cipher_suite,
 tsip_aes_key_index_t *key_index,
 uint32_t payload_length
)
```

#### Parameters

|                |        |                                                                                                                                                                |
|----------------|--------|----------------------------------------------------------------------------------------------------------------------------------------------------------------|
| handle         | Output | TLS 1.3 handler (work area)                                                                                                                                    |
| phase          | Input  | Communication phase<br>TSIP_TLS13_PHASE_HANDSHAKE:<br>Handshake phase<br>TSIP_TLS13_PHASE_APPLICATION:<br>Application phase                                    |
| mode           | Input  | Handshake protocol to use<br>TSIP_TLS13_MODE_FULL_HANDSHAKE:<br>Full handshake<br>TSIP_TLS13_MODE_RESUMPTION:<br>Resumption<br>TSIP_TLS13_MODE_0_RTT:<br>0-RTT |
| cipher_suite   | Input  | Cypher suite<br>TSIP_TLS13_CIPHER_SUITE_AES_128_GCM_SHA256:<br>TLS_AES_128_GCM_SHA256<br>TSIP_TLS13_CIPHER_SUITE_AES_128_CCM_SHA256:<br>TLS_AES_128_CCM_SHA256 |
| key_index      | Input  | Ephemeral wrapped key of key used for decryption                                                                                                               |
| payload_length | Input  | Byte length of data to be decrypted                                                                                                                            |

#### Return Values

|                             |                                                                                                                                       |
|-----------------------------|---------------------------------------------------------------------------------------------------------------------------------------|
| TSIP_SUCCESS:               | Normal termination                                                                                                                    |
| TSIP_ERR_FAIL               | Occurrence of internal error                                                                                                          |
| TSIP_ERR_RESOURCE_CONFLICT: | Occurrence of resource conflict because a hardware resource needed by the processing routine was in use by another processing routine |
| TSIP_ERR_KEY_SET            | Invalid wrapped key input                                                                                                             |

#### Description

The R\_TSIP\_Tls13DecryptInit() function performs preparations for the decryption of TLS 1.3 communication data and writes the result to the first parameter, handle. The parameter handle is used subsequently as a parameter by the R\_TSIP\_Tls13DecryptUpdate() and R\_TSIP\_Tls13DecryptFinal() functions.

**Reentrancy**

Not supported.

---

### 4.2.15.37 R\_TSIP\_Tls13DecryptUpdate

---

**Format**

```
#include "r_tsip_rx_if.h"
e_tsip_err_t R_TSIP_Tls13DecryptUpdate(
 tsip_tls13_handle_t *handle,
 uint8_t *cipher,
 uint8_t *plain,
 uint32_t cipher_length
)
```

**Parameters**

|               |              |                             |
|---------------|--------------|-----------------------------|
| handle        | Input/output | TLS 1.3 handler (work area) |
| cipher        | Input        | Ciphertext data area        |
| plain         | Output       | Plaintext data area         |
| cipher_length | Input        | Ciphertext data length      |

**Return Values**

|                            |                         |
|----------------------------|-------------------------|
| TSIP_SUCCESS:              | Normal termination      |
| TSIP_ERR_PARAMETER         | Invalid input data      |
| TSIP_ERR_PROHIBIT_FUNCTION | Invalid function called |

**Description**

The R\_TSIP\_Tls13DecryptUpdate() function decrypts the ciphertext specified by the second parameter, cipher, using the value specified for key\_index in R\_TSIP\_Tls13DecryptInit() function. The function internally buffers the data input by the user until the input value of cipher exceeds 16 bytes. Once the input data from cypher reaches 16 bytes or more, the decrypted result is output to the area specified by the third parameter, plain. Specify as the payload\_length parameter of R\_TSIP\_Tls13DecryptInit() function the total data length of the data to be input as cipher. For the cipher\_length parameter of this function, specify the data length to be input when the user calls the function. If the input value of cipher is not divisible by 16 bytes, the function performs padding internally.

Except in cases where the addresses are the same, specify areas for plain and cipher that do not overlap.

**Reentrancy**

Not supported.

**4.2.15.38 R\_TSIP\_Tls13DecryptFinal****Format**

```
#include "r_tsip_rx_if.h"
e_tsip_err_t R_TSIP_Tls13DecryptFinal(
 tsip_tls13_handle_t *handle,
 uint8_t *plain,
 uint32_t *plain_length
)
```

**Parameters**

|              |              |                             |
|--------------|--------------|-----------------------------|
| handle       | Input/output | TLS 1.3 handler (work area) |
| plain        | Output       | Plaintext data area         |
| plain_length | Output       | Plaintext data length       |

**Return Values**

|                            |                              |
|----------------------------|------------------------------|
| TSIP_SUCCESS:              | Normal termination           |
| TSIP_ERR_FAIL              | Occurrence of internal error |
| TSIP_ERR_PARAMETER         | Invalid input data           |
| TSIP_ERR_PROHIBIT_FUNCTION | Invalid function called      |

**Description**

If the data length of cipher input in R\_TSIP\_Tls13DecryptUpdate() function results in a fractional remainder after 16 bytes, the R\_TSIP\_Tls13DecryptFinal() function outputs the leftover decrypted data to the second parameter, plain. At this time, if the data is less than 16 bytes, it is padded with zeros by the function internally. For plain, specify a RAM address that is a multiple of 4.

**Reentrancy**

Not supported.



## 4.2.16 Firmware Update

---

### 4.2.16.1 R\_TSIP\_StartUpdateFirmware

---

**Format**

e\_tsip\_err\_t R\_TSIP\_StartUpdateFirmware(void)

**Parameters**

None

**Return Values**

TSIP\_SUCCESS:

Normal termination

TSIP\_ERR\_RESOURCE\_CONFLICT:

Occurrence of resource conflict because a hardware resource needed by the processing routine was in use by another processing routine

**Description**

Transitions to the firmware update state.

**Reentrancy**

Not supported.

---

### 4.2.16.2 R\_TSIP\_GenerateFirmwareMACInit

---

**Format**

```
#include "r_tsip_rx_if.h"
e_tsip_err_t R_TSIP_GenerateFirmwareMACInit(
 uint32_t *wrapped_key_encryption_key,
 uint8_t *encrypted_image_encryption_key,
 uint8_t *initial_vector
)
```

**Parameters**

|                                |       |                                                                  |
|--------------------------------|-------|------------------------------------------------------------------|
| wrapped_key_encryption_key     | Input | Wrapped key encryption key                                       |
| encrypted_image_encryption_Key | Input | Encrypted image encryption key                                   |
| initial_vector                 | Input | Initialization vector area for decryption of encrypted firmware. |

**Return Values**

|                             |                                                                                                                                       |
|-----------------------------|---------------------------------------------------------------------------------------------------------------------------------------|
| TSIP_SUCCESS:               | Normal termination                                                                                                                    |
| TSIP_ERR_RESOURCE_CONFLICT: | Occurrence of resource conflict because a hardware resource needed by the processing routine was in use by another processing routine |
| TSIP_ERR_KEY_SET            | Invalid wrapped key input                                                                                                             |

**Description**

The R\_TSIP\_GenerateFirmwareMACInit() function performs preparations to decrypt encrypted firmware and to generate MAC of the decrypted plain firmware.

Specify the wrapped key which is used to wrap the image encryption key to the first parameter, wrapped\_key\_encryption\_key. Specify the wrapped image encryption key which is wrapped with key encryption key to the second parameter, encrypted\_image\_encryption\_key. And specify the initial vector which is used to encrypt firmware to the third parameter, initial\_vector.

**Reentrancy**

Not supported.

---

### 4.2.16.3 R\_TSIP\_GenerateFirmwareMACUpdate

---

**Format**

```
#include "r_tsip_rx_if.h"
e_tsip_err_t R_TSIP_GenerateFirmwareMACUpdate(
 uint8_t *input,
 uint8_t *output,
 uint32_t input_length
)
```

**Parameters**

|              |        |                                                                             |
|--------------|--------|-----------------------------------------------------------------------------|
| input        | Input  | Encrypted firmware                                                          |
| output       | Output | Decrypted firmware data                                                     |
| input_length | Input  | Encrypted firmware byte size<br>Please specify with a multiple of 16 bytes. |

**Return Values**

|                    |                    |
|--------------------|--------------------|
| TSIP_SUCCESS:      | Normal termination |
| TSIP_ERR_PARAMETER | Invalid input data |

**Description**

The R\_TSIP\_GenerateFirmwareMACUpdate() function decrypts the first parameter, input, with the size of the third parameter, input\_length, and output firmware to the second parameter, output.

When the decryption process has to be executed by multiple times such as the encrypted firmware is located in multiple area, R\_TSIP\_GenerateFirmwareMACUpdate() is used. Note that the encrypted firmware which includes the last 16 bytes must be decrypted by R\_TSIP\_GenerateFirmwareMACFinal(). When the decryption process do not have to be multiple times, please use R\_TSIP\_GenerateFirmwareMACFinal().

**Reentrancy**

Not supported.

#### 4.2.16.4 R\_TSIP\_GenerateFirmwareMACFinal

##### Format

```
#include "r_tsip_rx_if.h"
e_tsip_err_t R_TSIP_GenerateFirmwareMACFinal(
 uint8_t *input,
 uint8_t *input_mac,
 uint8_t *output,
 uint8_t *output_mac,
 uint32_t input_length
)
```

##### Parameters

|              |        |                                                                         |
|--------------|--------|-------------------------------------------------------------------------|
| input        | Input  | Input firmware                                                          |
| input_mac    | Input  | MAC value of the input firmware (16 bytes)                              |
| output       | Output | Output firmware data                                                    |
| output_mac   | Output | MAC value of the output firmware (16 bytes)                             |
| input_length | Input  | Input firmware byte size<br>Please specify with a multiple of 16 bytes. |

##### Return Values

|                    |                              |
|--------------------|------------------------------|
| TSIP_SUCCESS:      | Normal termination           |
| TSIP_ERR_FAIL:     | Occurrence of internal error |
| TSIP_ERR_PARAMETER | Invalid input data           |

##### Description

The R\_TSIP\_GenerateFirmwareMACFinal() function decrypts the first parameter, input, with the size of the fifth parameter, input\_length, and output firmware to the second parameter, output. And it verifies the MAC value specified as the second parameter, input\_mac. When the verification of the MAC, it generates the MAC of the plain firmware and output to the fourth parameter, output\_mac.

##### Reentrancy

Not supported.

#### 4.2.16.5 R\_TSIP\_VerifyFirmwareMACInit

---

**Format**

```
#include "r_tsip_rx_if.h"
e_tsip_err_t R_TSIP_VerifyFirmwareMACInit(void)
```

**Parameters**

None

**Return Values**

|                             |                                                                                                                                       |
|-----------------------------|---------------------------------------------------------------------------------------------------------------------------------------|
| TSIP_SUCCESS:               | Normal termination                                                                                                                    |
| TSIP_ERR_RESOURCE_CONFLICT: | Occurrence of resource conflict because a hardware resource needed by the processing routine was in use by another processing routine |

**Description**

The R\_TSIP\_VerifyFirmwareMACInit() function performs preparations to verify MAC.

**Reentrancy**

Not supported.

---

#### 4.2.16.6 R\_TSIP\_VerifyFirmwareMACUpdate

---

**Format**

```
#include "r_tsip_rx_if.h"
e_tsip_err_t R_TSIP_VerifyFirmwareMACUpdate(
 uint8_t *input,
 uint32_t input_length
)
```

**Parameters**

|              |       |                                                                         |
|--------------|-------|-------------------------------------------------------------------------|
| input        | Input | Input firmware area                                                     |
| input_length | Input | Input firmware byte size<br>Please specify with a multiple of 16 bytes. |

**Return Values**

|                    |                    |
|--------------------|--------------------|
| TSIP_SUCCESS:      | Normal termination |
| TSIP_ERR_PARAMETER | Invalid input data |

**Description**

The R\_TSIP\_VerifyFirmwareMACUpdate() function verifies the first parameter, input, with the size of thesecond parameter, input\_length, and process MAC generation.

When the MAC generation process has to be executed by multiple times such as the plain firmware is located in multiple area, R\_TSIP\_VerifyFirmwareMACUpdate() is used. Note that the plain firmware which includes the last 16 bytes must be verified by R\_TSIP\_VerifyFirmwareMACFinal(). When the verification process do not have to be multiple times, please use R\_TSIP\_VerifyFirmwareMACFinal().

**Reentrancy**

Not supported.

---

**4.2.16.7 R\_TSIP\_VerifyFirmwareMACFinal**

---

**Format**

```
#include "r_tsip_rx_if.h"
e_tsip_err_t R_TSIP_VerifyFirmwareMACFinal(
 uint8_t *input,
 uint8_t mac,
 uint32_t input_length
)
```

**Parameters**

|              |       |                                                                         |
|--------------|-------|-------------------------------------------------------------------------|
| input        | Input | Input firmware area                                                     |
| mac          | Input | MAC value of the input firmware (16 bytes)                              |
| input_length | Input | Input firmware byte size<br>Please specify with a multiple of 16 bytes. |

**Return Values**

|                    |                              |
|--------------------|------------------------------|
| TSIP_SUCCESS:      | Normal termination           |
| TSIP_ERR_FAIL:     | Occurrence of internal error |
| TSIP_ERR_PARAMETER | Invalid input data           |

**Description**

The R\_TSIP\_VerifyFirmwareMACFinal() function verifies the MAC of a plain firmware.

**Reentrancy**

Not supported.

### 4.3 User-Defined Functions

This section describes the user-defined functions called by the TSIP driver.

#### 4.3.1 user\_sha384\_fucntion

##### Format

```
#include "r_tsip_rx_config.h"
uint32_t user_sha384_function (
 uint8_t *message,
 uint8_t *digest,
 uint32_t message_length)
```

##### Parameters

|                |        |                                                    |
|----------------|--------|----------------------------------------------------|
| message        | Input  | Start address of message                           |
| digest         | Output | Hash calculation result storage address (48 bytes) |
| message_length | Input  | Number of valid bytes in message                   |

##### Return Values

|              |                            |
|--------------|----------------------------|
| 0            | Hash value storage success |
| Other than 0 | Hash value storage failure |

##### Description

The TSIP does not support SHA-384 in hardware, so the following API requires the user to create an SHA-384 function for signature generation and verification. To use the API, enable `TSIP_USER_SHA_384_ENABLED` in `r_tsip_rx_config.h` and prepare a function called `user_sha384_function`.

- `R_TSIP_EcdsaP384SignatureGenerate`
- `R_TSIP_EcdsaP384SignatureVerification`

This function can be defined when `TSIP_USER_SHA_384_ENABLED` is enabled in the configuration file. It performs an SHA-384 hash calculation for an area that starts from the address specified by the parameter `message` and extends for the number of bytes specified by the parameter `message_length`.

Store the calculation result at the address specified by the parameter `digest`.



### 4.3.2 user\_lock\_fuction

---

**Format**

```
#include "r_tsip_rx_config.h"
void user_lock_function (
 void)
```

**Parameters**

None

**Return Values**

None

**Description**

To use the TSIP access conflict avoidance functionality described in section 3.2, the user must create a function to acquire exclusive control of a resource. Implement the function `user_lock_function` by enabling `TSIP_MULTI_THREADING` in `r_tsip_rx_config.h`.

To use access conflict avoidance functionality together with secure boot functionality, place this function in the secure boot area.

### 4.3.3 user\_unlock\_fucntion

---

**Format**

```
#include "r_tsip_rx_config.h"
void user_unlock_function (
 void)
```

**Parameters**

None

**Return Values**

None

**Description**

To use the TSIP access conflict avoidance functionality described in section 3.2, the user must create a function to acquire exclusive control of a resource. Implement the function `user_unlock_function` by enabling `TSIP_MULTI_THREADING` in `r_tsip_rx_config.h`.

To use access conflict avoidance functionality together with secure boot functionality, place this function in the secure boot area.

## 5. Key Injection and Updating

This section describes how to write encryption keys handled by the TSIP driver to nonvolatile memory such as the on-chip flash memory.

### 5.1 Key Injection

The procedure used to safely inject keys into products as part of the customer's manufacturing process is presented below. Refer to 3.7.1, Key Injection and Updating, for an explanation of the TSIP driver's key injection mechanism.

The Renesas Key Wrap Service provided by Renesas and a key injection program running on the RX Family MCU are required for user key injection. Supplementary tools such as Security Key Management Tool can be used to simplify the process.

The demo project accompanying this application note includes a sample key injection program that can be used for reference.

The process for implementing user key injection is as follows:

1. Preparing the key data necessary for user key injection

Use a tool of your choice to prepare a 256-bit UFPK and 128-bit IV to use for wrapping the user key to be injected. The example below uses OpenSSL to generate a UFPK and IV.

```
> openssl rand 32 > ufpk.bin
> openssl rand 16 > iv.bin
```

Use the Renesas Key Wrap Service (<https://dlm.renesas.com/keywrap>) to generate a W-UFPK by wrapping ufpk.bin using the HRK. For detailed information, refer to the Renesas Key Wrap Service FAQ.

As described in section 3.7.1, which explains the user key wrapping scheme (Figure 3.3, User Key Wrapping Scheme during Key Injection and Key Updating), generate an encrypted key by wrapping the user key using the UFPK (ufpk.bin).

2. Creating a user key injection program

Input the encrypted key, ufpk.bin, and iv.bin generated in step 1 to the key injection API for the cryptographic algorithm being used to generate a user wrapped key, and create a program to write it to nonvolatile memory. Refer to 3.7.1, Key Injection and Updating, for a description of how to use the key injection APIs.

3. Key injection

Run the user key injection program on the RX Family MCU to inject the user key into the flash memory. It is recommended that the key injection data included in the user key injection program be deleted after key injection finishes.

Secure Key Management Tool is available as a supplementary tool for performing steps 1 and 2. Refer to sections 5.3 and 5.4 for details of this tool.

## 5.2 Key Updating

The procedure used to safely inject or update keys in products in the field is presented below. Refer to 3.7.1, Key Injection and Updating, for an explanation of the TSIP driver's key update mechanism.

To be able to inject or update keys in the field, the application program of the customer's product must be provided with key update functionality beforehand.

Key update functionality is implemented using a KUK and key update API. The KUK must be written to the flash memory during the product's manufacturing process using the method described in section 5.1, Key Injection. The process for implementing user key updating is as follows:

1. **Creating a user application incorporating key update functionality**  
Create a user application incorporating key update functionality by making use of a key update API. Implementing key update functionality requires processing to receive the encrypted key using a communication interface, to convert it to a wrapped key using a key update API, and then to write it to the flash memory.  
Refer to 3.7.1, Key Injection and Updating, for an explanation of how to use key update APIs.
2. **Injecting the KUK and user key into the device**  
Refer to section 5.1 and create a user key injection program including the KUK, then inject the KUK and user key into the flash memory. It is recommended that the key injection data included in the user key injection program be deleted after key injection finishes.
3. **Programming the user application program incorporating key update functionality to the device**  
Use a programming method of your choice to program to user application program incorporating key update functionality to the flash memory.
4. **Creating the user key data to be used for the update**  
As described in section 3.7.1, which explains the user key wrapping scheme (Figure 3.3, User Key Wrapping Scheme during Key Injection and Key Updating), generate an encrypted key by wrapping the user key using the KUK.
5. **Updating the user key**  
Pass the encrypted key to the user application program incorporating key update functionality running on the RX Family MCU. The operation of the key update functionality of the user application program implements updating of the key stored in the on-chip flash memory of the RX Family MCU. Depending on the functionality implemented in the user application program, it is also possible to inject a new user key.

Secure Key Management Tool is available as a supplementary tool for performing step 4. Refer to sections 5.3 and 5.4 for details of this tool.





3. Obtaining a W-UFPK

Send the ufpk.key file generated in step 2 to the Renesas Key Wrap service (<https://dlm.renesas.com/keywrap>) to obtain a W-UFPK. For detailed information, refer to the Renesas Key Wrap Service FAQ.

4. Generating an AES 128 key file as a C source file

On the **Wrap Key** tab, generate an AES 128 key file. On the **Key Type** tab, select **AES** and **128 bits**, and on the **Key Data** tab, enter the AES 128 key data. For **Wrapping Key**, specify the UFPK file generated in step 2 and the W-UFPK file obtained in step 3. For **Format**: select **C Source**.

Figure 5.6 Example AES 128 Key File Output Settings on Wrap Key – Key Type Tab

Figure 5.7 Example AES 128 Key C Source Output Settings on Wrap Key – Key Data Tab





### 5.3.2 Key Update Operation Procedure

If a KUK has been injected beforehand, it is not necessary to obtain a new UFPK when performing a key update.

#### 5.3.2.1 Procedure for CLI Version

##### 1. Generating a UFPK

In a terminal emulator, run the following command:

```
> skmt.exe /genufpk
 /ufpk "ec6b8fa5c0d5da5142ccaf3a31aebeae2346cfe7ef644b9b6b70523cba0f5c5c"
 /output "C:\work\ufpk.key"
```

```
C:\work\skmt\tool>skmt.exe /genufpk /ufpk "ec6b8fa5c0d5da5142ccaf3a31aebeae2346cfe7ef644b9b6b70523cba0f5c5c" /output "C:\work\ufpk.key"
UFPK: EC6B8FA5C0D5DA5142CCAF3A31AEBEAE2346CFE7EF644B9B6B70523CBA0F5C5C
Output File: C:\work\ufpk.key
```

Figure 5.9 genufpk Command Execution Result

##### 2. Obtaining a W-UFPK

Send the ufpk.key file generated in step 1 to the Renesas Key Wrap service (<https://dlm.renesas.com/keywrap>) to obtain a W-UFPK.

For detailed information, refer to the Renesas Key Wrap Service FAQ or the relevant application note.

##### 3. Generating a KUK

In the terminal emulator, run the following genkuk command.

```
> skmt.exe /genkuk /output "C:\work\kuk.key"
 /kuk "d0aec19726cbc0e2fb403866b9b465a6c0d05b7a60362d5f435f9a3e98c79084"
```

```
C:\work\skmt\tool>skmt.exe /genkuk /output "C:\work\kuk.key" /kuk "d0aec19726cbc0e2fb403866b9b465a6c0d05b7a60362d5f435f9a3e98c79084"
KUK: D0AEC19726CBC0E2FB403866B9B465A6C0D05B7A60362D5F435F9A3E98C79084
Output File: C:\work\kuk.key
```

Figure 5.10 genkuk Command Execution Result

##### 4. Generating an encrypted key file containing a KUK encrypted using a UFPK

In the terminal emulator, run the genkey command to encrypt a KUK using a UFPK.

```
> skmt.exe /genkey /ufpk file="c:\work\ufpk.key" /wufpk file="C:\work\ufpk.key_enc.key"
 /mcu "RX-TSIP" /keytype "key-update-key" /key file="C:\work\kuk.key" /filetype "csource"
 /output "C:\work\kuk.c"
```

Use the UFPK file generated in step 1 and the W-UFPK file generated as described in step 2.

```
C:\work\skmt\tool>skmt.exe /genkey /ufpk file="c:\work\ufpk.key" /wufpk file="C:\work\ufpk.key_enc.key" /mcu "RX-TSIP" /keytype "key-update-key" /key file="C:\work\kuk.key" /filetype "csource" /output "C:\work\kuk.c"
Output File: C:\work\kuk.h
Output File: C:\work\kuk.c
UFPK: EC6B8FA5C0D5DA5142CCAF3A31AEBEAE2346CFE7EF644B9B6B70523CBA0F5C5C
W-UFPK: 0000001102D464621E307E4FF7027D346B9A2DEA8E35A6673DC9685DE0283CBED82DE1E
IV: 2F5FE32A536036EBC11BE0FA7BBBC572
Encrypted key: A3E508B735C32C4F122A931B78EE0F552FB42EEDA3CA1D955B1191CAF8FAC4D39462C5C1562
EB36EAB2D9331102DF699
```

Figure 5.11 genkey Command Execution Example

Use the data from the output C source file to inject the KUK by calling the `R_TSIP_GenerateUpdateKeyRingKeyIndex()` function in your program.

Next, the wrapping method using a KUK for key updating in the field is described.

5. Generating an encrypted file containing an RSA-2048 public key  
In the terminal emulator, run the following `genkey` command.

```
> skmt.exe /genkey /kuk file="C:\work\kuk.key" /mcu "RX-TSIP" /keytype "RSA-2048-public"
/key "bad47a84c1782e4dbdd913f2a261fc8b65838412c6e45a2068ed6d7f16e9cdf4
462b39119563cafb74b9cbf25cfd544bdae23bff0ebe7f6441042b7e109b9a8a
faa056821ef8efaab219d21d6763484785622d918d395a2a31f2ece8385a8131
e5ff143314a82e21afd713bae817cc0ee3514d4839007ccb55d68409c97a18ab
62fa6f9f89b3f94a2777c47d6136775a56a9a0127f682470bef831fbec4bcd7b
5095a7823fd70745d37d1bf72b63c4b1b4a3d0581e74bf9ade93cc4614861755
3931a79d92e9e488ef47223ee6f6c061884b13c9065b591139de13c1ea292749
1ed00fb793cd68f463f5f64baa53916b46c818ab99706557a1c2d50d232577d1
00010001"
/filetype "csource" /keyname "rsa2048public"
/output "C:\work\rsa2048public.bin"
```

Use the file generated in step 3 as the KUK file.

```
C:\Renesas\SecurityKeyManagementTool\cli>skmt.exe /genkey /kuk file="C:\work\kuk.key" /mcu
"RX-TSIP" /keytype "RSA-2048-public" /key "bad47a84c1782e4dbdd913f2a261fc8b65838412c6e45a2
068ed6d7f16e9cdf4462b39119563cafb74b9cbf25cfd544bdae23bff0ebe7f6441042b7e109b9a8a
faa056821ef8efaab219d21d6763484785622d918d395a2a31f2ece8385a8131e5ff143314a82e21afd713bae817cc0ee35
14d4839007ccb55d68409c97a18ab62fa6f9f89b3f94a2777c47d6136775a56a9a0127f682470bef831fbec4bc
d7b5095a7823fd70745d37d1bf72b63c4b1b4a3d0581e74bf9ade93cc46148617553931a79d92e9e488ef47223
ee6f6c061884b13c9065b591139de13c1ea2927491ed00fb793cd68f463f5f64baa53916b46c818ab99706557a
1c2d50d232577d100010001" /filetype "csource" /keyname "rsa2048public" /output "C:\work\rsa
2048public.c"
Output File: C:\work\rsa2048public.h
Output File: C:\work\rsa2048public.c
KUK: DOAEC19726CBC0E2FB403866B9B465A6C0D05B7A60362D5F435F9A3E98C79084
IV: 9A537E8D13E62700DAF2DB0A44E770A9
Encrypted key: EFEB764914ACE4DA87737EC90A2B1B14520A7C18992DCDB7E945540A3220165E3E022CBC11F
B1A0C39563C8702ECF4C931B1BE4198CCA0DCA373D1395F7046D9AB02AF7D93C5512E9438370DB2E5027F4BFB8
606409F81D7CDB138F446474C9C04BA9613DC928EDD09B9C5D2002F54CF739A94FD8C5CD694A80AD12D9B00067
2EBBEE9D24298717D47FB05092A8178D173B45EA2BA47FA0C742084783FF718C593F8F6E2AC8E6013A9CA4EA25
73F8619CEFOB97DDC2F184665E42FF89009B9E8C89C5115D3733273E1432BD97EABB9E9190589F225E287F5C79
25597810F07E7A478BA0A464590C53A881739B8F89CC372B7055DD02051105113E2179D39ADE17D3420BB1F506
F96A345A4B6FB131A96E089C2ADAF5772D7F8F16A7F5B703FD3
```

Figure 5.12 `genkey` Command Execution Example

Input the data from the output C source file to the external interface of the device, and pass the data to the parameters of the `R_TSIP_Update2048PublicKeyIndex()` function to output an updated RSA-2048 public key index.

5.3.2.2 Procedure for GUI Version

1. Selecting an MCU or MPU and an encryption engine  
On the **Overview** tab, select an MCU or MPU and an encryption engine.

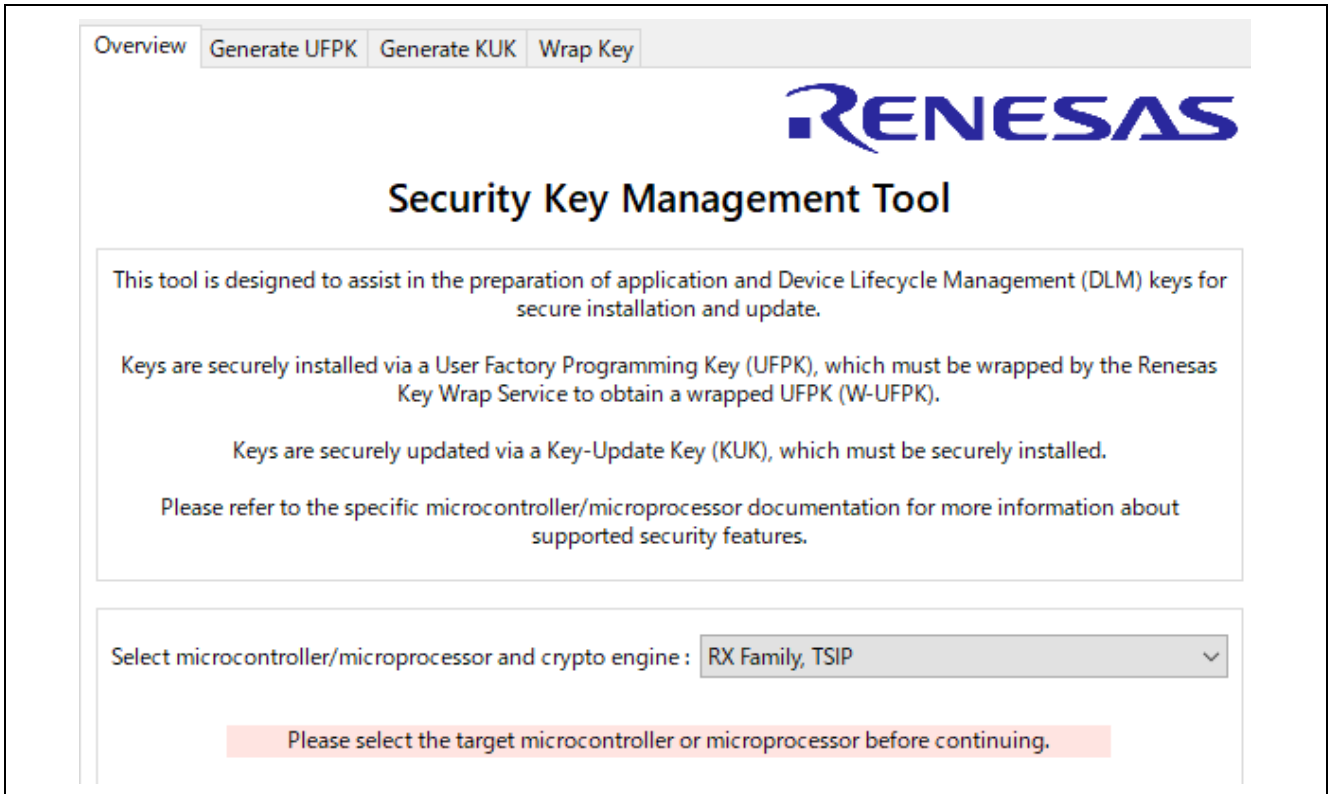


Figure 5.13 Overview Tab

2. Generating a UFPK  
On the Generate UFPK tab, specify an UFPK value and a file name with the extension \*.key to generate an UFPK file. This example uses the file name ufpk.key.

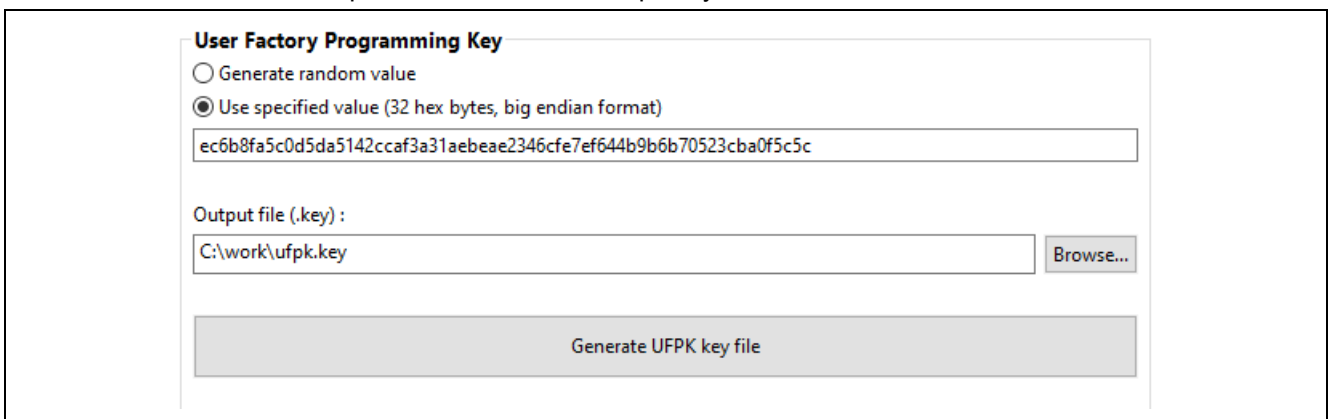


Figure 5.14 Example UFPK File Generation Settings on Generate UFPK Tab

Click the **Generate UFPK key file** button to generate an UFPK file. The following is displayed when the operation completes successfully.

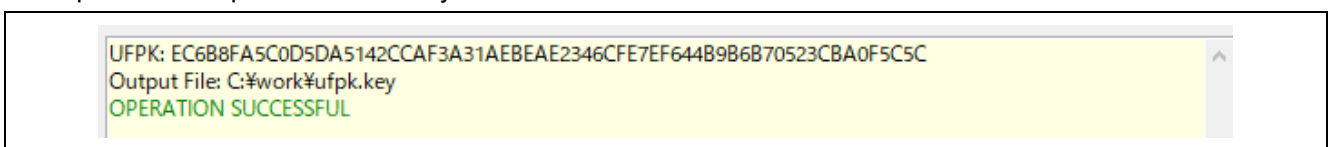


Figure 5.15 Generate UFPK Tab Execution Result

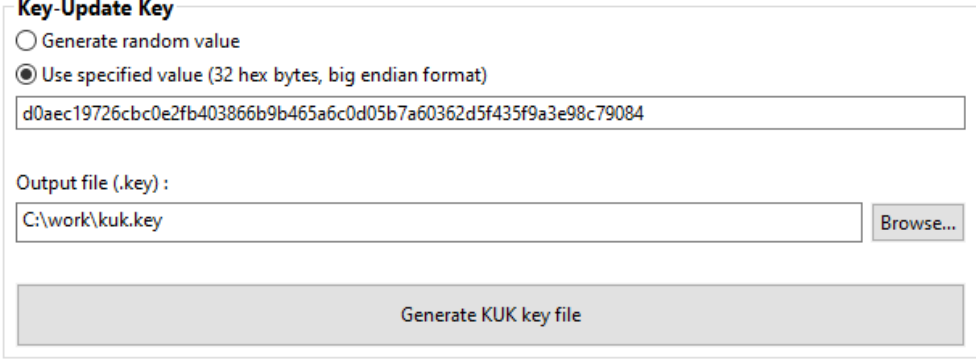
## 3. Obtaining a W-UFPK

Send the `ufpk.key` file generated in step 2 to the Renesas Key Wrap service (<https://dlm.renesas.com/keywrap>) to obtain a W-UFPK.

For detailed information, refer to the Renesas Key Wrap Service FAQ or the relevant application note.

## 4. Generating a KUK

On the Generate KUK tab, select whether to use the tool to generate a random value for the KUK or to enter a 256-bit value for the KUK. Enter a file name with the extension `*.key`. This example uses the file name `kuk.key`.



The screenshot shows a dialog box titled "Key-Update Key". It has two radio buttons: "Generate random value" (unselected) and "Use specified value (32 hex bytes, big endian format)" (selected). Below the radio buttons is a text input field containing the hexadecimal string: `d0aec19726cbc0e2fb403866b9b465a6c0d05b7a60362d5f435f9a3e98c79084`. Below this is a label "Output file (.key) :" followed by a text input field containing `C:\work\kuk.key` and a "Browse..." button. At the bottom of the dialog is a large grey button labeled "Generate KUK key file".

Figure 5.16 Example KUK File Generation Settings on Generate KUK Tab

Click the **Generate KUK key file** button to generate a KUK file. The following is displayed when the operation completes successfully.

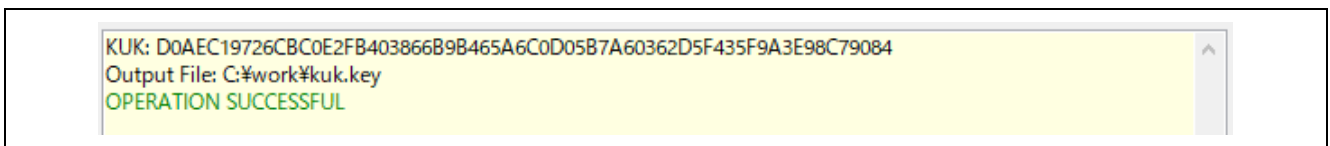


Figure 5.17 Generate KUK Tab Execution Result

5. Generating a KUK file in C source file format

Select **KUK** on the Key Type tab, which is on the Wrap Key tab. On the Key Data tab, enter the file name of the KUK file generated in the preceding step (**kuk.key** in this example). For **Wrapping Key**, select **UFPK** and select the UFPK file generated in step 2 and the W-UFPK file obtained as described in step 3. In this example, **Generate random value** is selected for **IV** in the interest of simplicity. In the **Output** panel, select **C Source** for **Format**: and enter the file name of the C source file.

Figure 5.18 Example C Source File Output Settings for KUK File on Wrap Key – Key Type Tab

Figure 5.19 Example C Source File Output Settings for KUK File on Wrap Key – Key Data Tab

Use the data from the output C source file to inject the KUK by calling the `R_TSIP_GenerateUpdateKeyRingKeyIndex()` function in your program.

Next, the wrapping method using a KUK for key updating in the field is described.

#### 6. Generating a RSA 2048 public key file in C source file format

On the Wrap Key tab, generate a RSA-2048 public key file in C source file format.

On the Key Type tab, select **RSA** and **2048 bits, public**, and on the Key Data tab, enter the RSA 2048 public key data.

For **Wrapping Key**, specify the KUK file generated in 4. In this example, **Generate random value** is selected for **IV** in the interest of simplicity. Under **Output**, select **C Source** for **Format**: and enter a file name with the extension \*.c.

The screenshot shows a software configuration window with the following settings:

- Key Type:** Key Data tab. Radio buttons for DLM, KUK, AES, and ARC4 are unselected. Radio buttons for DLM-SSD, RSA (selected), ECC, and HMAC are selected. Dropdown menus show 'DLM-SSD', '2048 bits, public', '128 bits', 'secp256r1, public', and 'SHA256-HMAC'.
- Wrapping Key:** Radio buttons for UFPK and KUK (selected) are present. UFPK File, W-UFPK File, and KUK File (C:\work\kuk.key) fields are shown with 'Browse...' buttons.
- IV:** Radio buttons for 'Generate random value' (selected) and 'Use specified value (16 hex bytes, big endian format)' are present. The specified value field contains '00112233445566778899AABBCCDDEEFF'.
- Output:** 'Format' dropdown is set to 'C Source'. 'File' field is 'C:\work\rsa2048public.c' with a 'Browse...' button. 'Address' field is '10000'. 'Key name' field is 'rsa2048public'.
- A 'Generate file' button is located at the bottom of the form.

**Figure 5.20 Example RSA 2048 Public Key C Source File Generation Settings on Wrap Key – Key Type Tab**

**Figure 5.21 Example RSA 2048 Public Key C Source File Generation Settings on Wrap Key – Key Data Tab**

The following is displayed when the operation completes successfully.

```

Output File: C:\work\rsa2048public.h
Output File: C:\work\rsa2048public.c
KUK: D0AEC19726CBC0E2FB403866B9B465A6C0D05B7A60362D5F435F9A3E98C79084
IV: D21D301AB01C209A87275774FE4BA29C
Encrypted key:
1BA6F73B0101ED42D54F9A8B4136F8099D1BD4F46919BA6B74144DF04A9E74E448BB18E8C1AC9F0847D9023024FAC
0B5BF723026BBD330B691DF7610F65B25137D71F064321E6982239E47F5D497A1CBD6CF688381442DB8889ACF1D74
F62D21607C2E7C6C5F74327C4BA804C71D2D4C4AB7FA5143E7BDB670668C443B9C4C5BDB2451F9416D54B651EE3A7
9158728CB42A3D244922BF539F1FE56035A775C8830D99936360FBF8B22E2AF58E735195E714A525F3939F3983FA2536
FBB50CC70B32FB2FFBB8233E8578005CAF7D2ABF64F5482F6447A64E3B55B10A5821E694328F5A5B38E7DBD56C01B4
160D96DA5FB677BC36AD4F5856DE335B8AD7707E1215D9E062DFF474E1EE240228B123925D10CA5909F10B72358E8E
BD5D7193032D
OPERATION SUCCESSFUL

```

**Figure 5.22 Wrap Key Tab Execution Result**

You can perform key updating in the field by incorporating the generated C source file into your project and using it to create update data.

## 6. Sample Programs

### 6.1 Confirming Operation of the Demo Projects

With the exception of the AES cryptography project and TLS cooperation function project, the demo projects run on the MCUs listed in Table 6.1. The board which MCU is equipped is connected to the PC using a USB cable. Tera Term is used as the terminal emulator on the PC.

**Table 6-1 Demo Projects to used on each MCU**

| MCU   | Demo Project              |
|-------|---------------------------|
| RX231 | rx231_rsk_tsip_sample     |
| RX26T | rx26t_mcb_tsip_sample     |
| RX65N | rx65n_2mb_rsk_tsip_sample |
| RX66T | rx66t_rsk_tsip_sample     |
| RX671 | rx671_rsk_tsip_sample     |
| RX72M | rx72m_rsk_tsip_sample     |
| RX72N | rx72n_rsk_tsip_sample     |
| RX72T | rx72t_rsk_tsip_sample     |

Projects for MCUs which support Dual Bank mode make use of code flash linear mode.

Operation of the demo projects has been confirmed using little-endian byte ordering.

The description of demo project execution results, etc., in this section applies to the operation results on the RSK RX231 board. The terminal emulator software used is Tera Term.

#### Additional Notes

Demo projects for MCUs provided with a TSIP module require a link size larger than 128 KB. It is therefore necessary to purchase the product version of the CC-RX compiler in order to compile these projects.

There is no RSK currently available for the RX66N, so no demo projects are provided for this MCU. To confirm operation on the RX66N, refer to section 4 in the application note "RX Smart Configurator: User's Guide: e<sup>2</sup> studio" (R20AN0451ES0140) and change the selected device to the RX66N.

The RX72N (R5F572NNHDBD) and RX66N (R5F566NNHDBD) are pin-compatible, so equivalent operation can be achieved simply by changing the device.

The TSIP driver uses the same target folder, so operation is possible using the same UFPK.



### 6.1.1 Setting Up the Demo Project

Wiring connections between the PC and board are shown below.

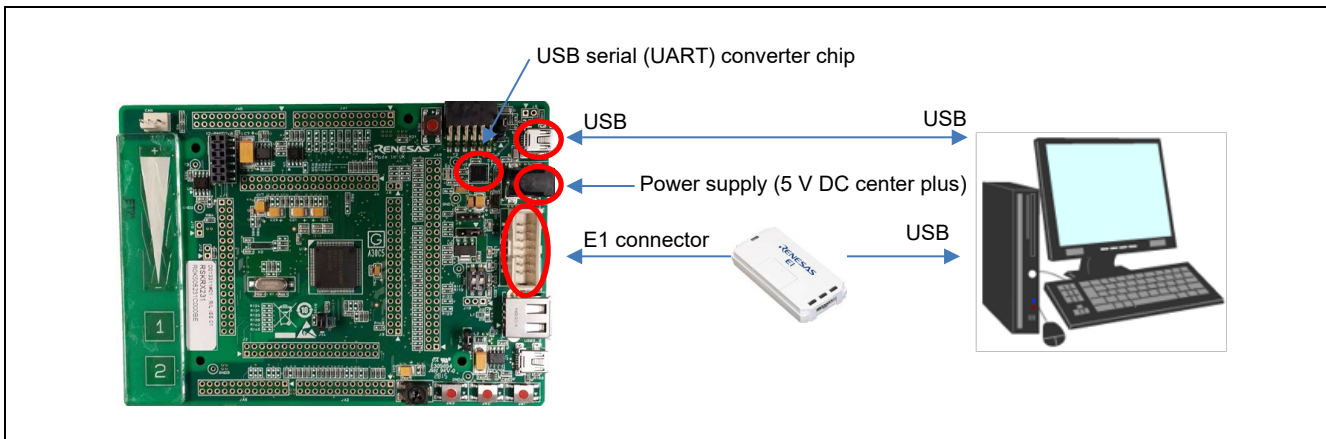


Figure 6.1 Wiring Connections between PC and RSK RX231 Board

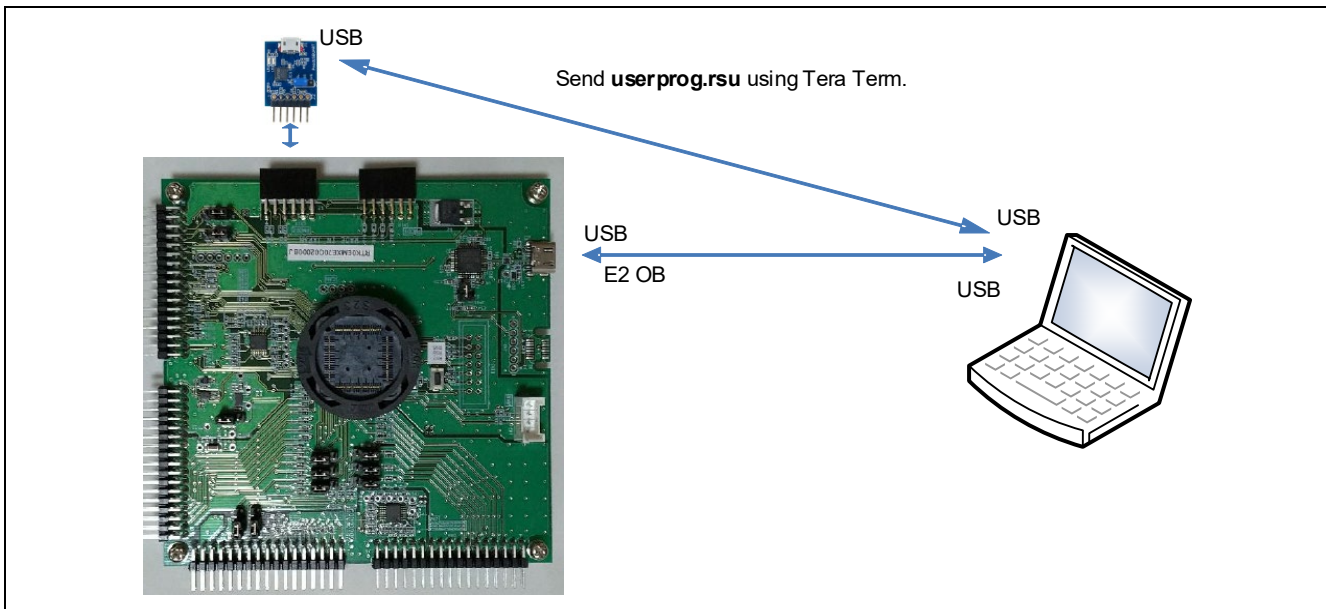


Figure 6.2 Wiring Connections between PC and MCB RX26T Board

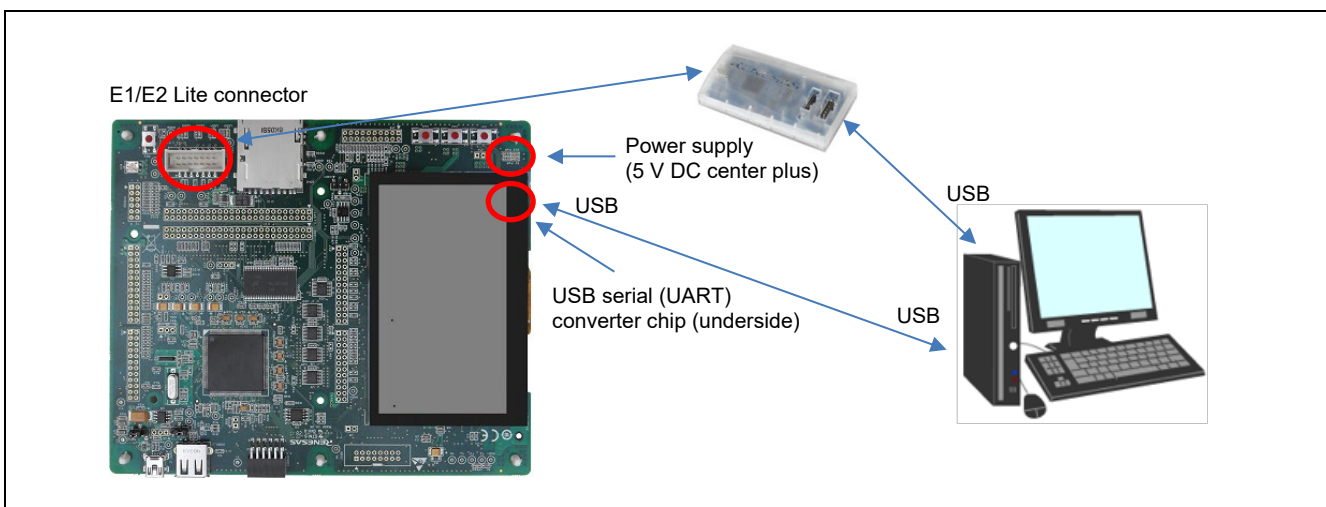


Figure 6.3 Wiring Connections between PC and RSK RX65N-2MB Board

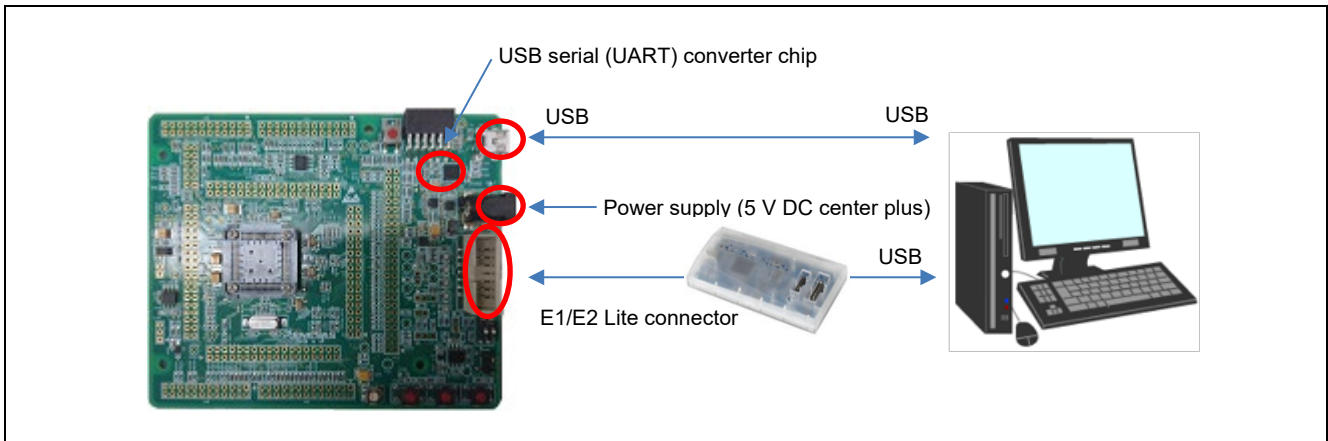


Figure 6.4 Wiring Connections between PC and RSK RX66T Board

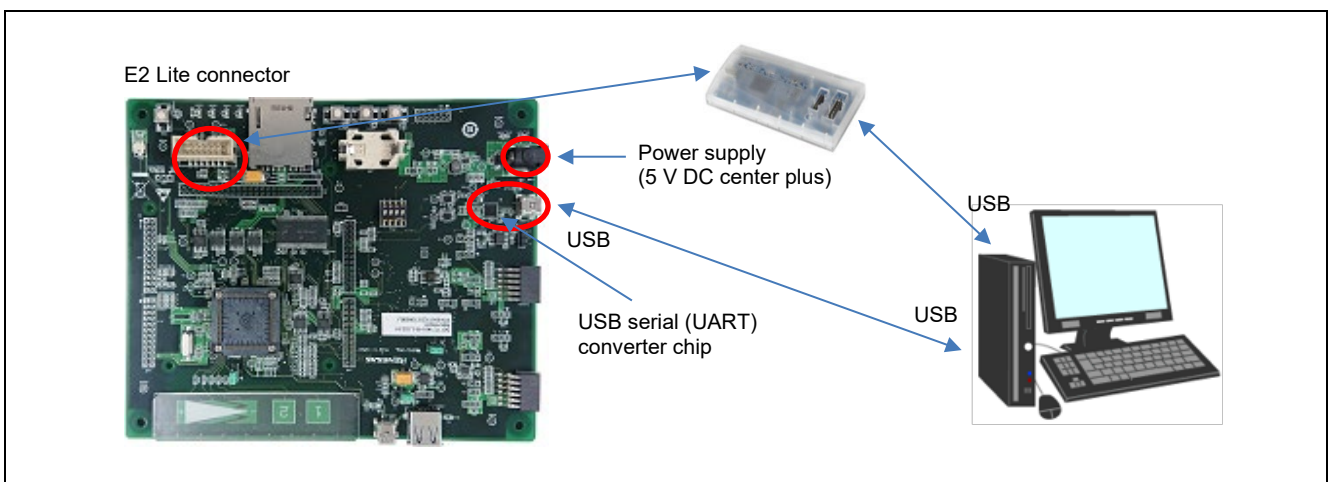


Figure 6.5 Wiring Connections between PC and RSK RX671 Board

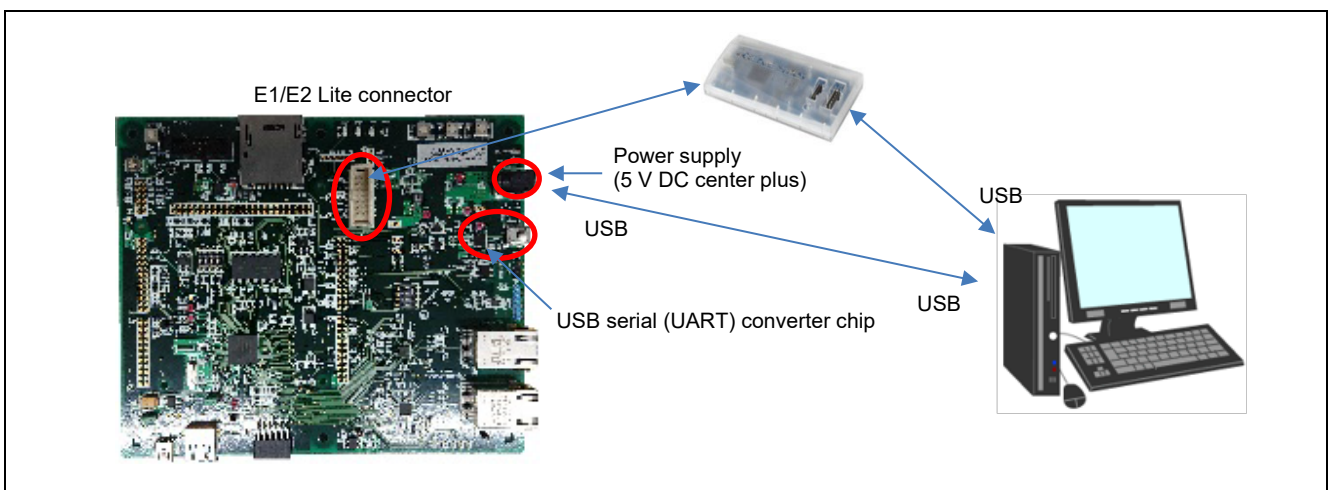


Figure 6.6 Wiring Connections between PC and RSK RX72M Board

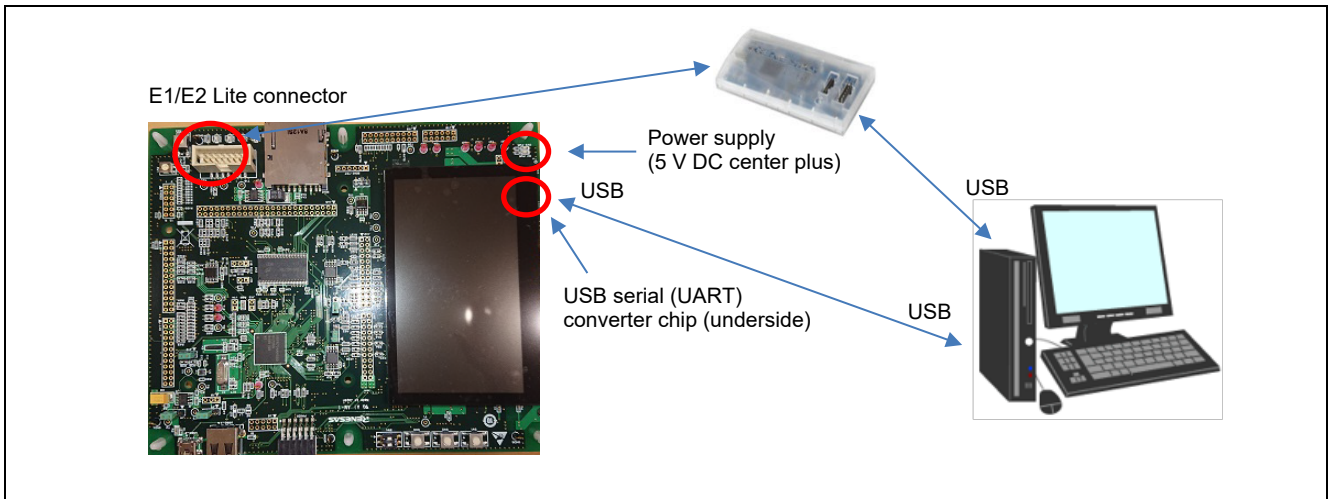


Figure 6.7 Wiring Connections between PC and RSK RX72N Board

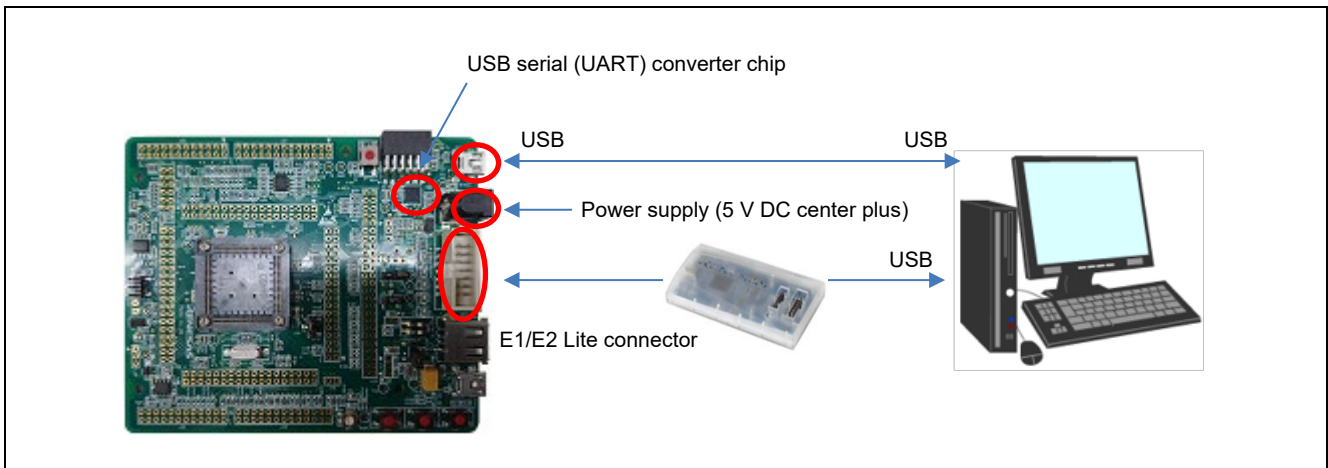


Figure 6.8 Wiring Connections between PC and RSK RX72T Board

The serial settings in Tera Term are as follows:

- Speed: 115200 bps
- Data: 8 bit
- Parity: None
- Stop bits: 1 bit
- New-line code (Transmit): CR

## 6.1.2 Overview of Demo Project

The key data structures used by the demo project are listed below.

**Table 6-2 Key Data Structures of Demo Project**

| Name                                              | Type                             | Description                                                                                                                                                                                                              |
|---------------------------------------------------|----------------------------------|--------------------------------------------------------------------------------------------------------------------------------------------------------------------------------------------------------------------------|
| st_key_block_data_t                               | —                                | Key data structure located in C_FIRMWARE_UPDATE_CONTROL_BLOCK and C_FIRMWARE_UPDATE_CONTROL_BLOCK_MIRROR                                                                                                                 |
| firmware_update_control_data                      | —                                | Structure for storing mac information during firmware updating                                                                                                                                                           |
| user_program_max_cnt                              | uint32_t                         | Firmware byte size of firmware update                                                                                                                                                                                    |
| lifecycle_state                                   | uint32_t                         | Key data and user program* <sup>1</sup> status<br>There are two statuses: STATE_KEY_INJECT and STATE_EXEC_IMAGE.<br>STATE_KEY_INJECT : Inject wrapped keys<br>STATE_EXEC_IMAGE : Verify wrapped keys and execute program |
| program_mac0[]                                    | uint32_t                         | MAC value of UPDATE_FIRMWARE_AREA                                                                                                                                                                                        |
| program_mac1[]                                    | uint32_t                         | MAC value of UPDATE_TEMPORARY_AREA                                                                                                                                                                                       |
| key_data                                          | —                                | Key data storage structure                                                                                                                                                                                               |
| encrypted_user_aes128_key[]                       | uint8_t                          | Encrypted key of AES 128 shared key                                                                                                                                                                                      |
| encrypted_user_aes256_key[]                       | uint8_t                          | Encrypted key of AES 256 shared key                                                                                                                                                                                      |
| encrypted_user_tdes_key[]* <sup>2</sup>           | uint8_t                          | Encrypted key of TDES shared key                                                                                                                                                                                         |
| encrypted_user_arc4_key[]* <sup>2</sup>           | uint8_t                          | Encrypted key of ARC4 shared key                                                                                                                                                                                         |
| encrypted_user_sha1hmac_key[]* <sup>2</sup>       | uint8_t                          | Encrypted key of SHA-1 HMAC shared key                                                                                                                                                                                   |
| encrypted_user_sha256hmac_key[]* <sup>2</sup>     | uint8_t                          | Encrypted key of SHA-256 HMAC shared key                                                                                                                                                                                 |
| encrypted_user_rsa1024_ne_key[]* <sup>2</sup>     | uint8_t                          | Encrypted key of RSA 1024 public key                                                                                                                                                                                     |
| encrypted_user_rsa1024_nd_key[]* <sup>2</sup>     | uint8_t                          | Encrypted key of RSA 1024 secret key                                                                                                                                                                                     |
| encrypted_user_rsa2048_ne_key[]* <sup>2</sup>     | uint8_t                          | Encrypted key of RSA 2048 public key                                                                                                                                                                                     |
| encrypted_user_rsa2048_nd_key[]* <sup>2</sup>     | uint8_t                          | Encrypted key of RSA 2048 secret key                                                                                                                                                                                     |
| encrypted_user_ecc192_public_key[]* <sup>2</sup>  | uint8_t                          | Encrypted key of ECC 192 public key                                                                                                                                                                                      |
| encrypted_user_ecc192_private_key[]* <sup>2</sup> | uint8_t                          | Encrypted key of ECC 192 secret key                                                                                                                                                                                      |
| encrypted_user_ecc224_public_key[]* <sup>2</sup>  | uint8_t                          | Encrypted key of ECC 224 public key                                                                                                                                                                                      |
| encrypted_user_ecc224_private_key[]* <sup>2</sup> | uint8_t                          | Encrypted key of ECC 224 secret key                                                                                                                                                                                      |
| encrypted_user_ecc256_public_key[]* <sup>2</sup>  | uint8_t                          | Encrypted key of ECC 256 public key                                                                                                                                                                                      |
| encrypted_user_ecc256_private_key[]* <sup>2</sup> | uint8_t                          | Encrypted key of ECC 256 secret key                                                                                                                                                                                      |
| encrypted_user_update_key[]                       | uint8_t                          | Encrypted key of update keyring                                                                                                                                                                                          |
| encrypted_provisioning_key[]                      | uint8_t                          | Encrypted provisioning key generated by DLM server                                                                                                                                                                       |
| iv[]                                              | uint8_t                          | IV used for key injection                                                                                                                                                                                                |
| user_aes128_key_index                             | tsip_aes_key_index_t             | AES 128 key index                                                                                                                                                                                                        |
| user_aes256_key_index                             | tsip_aes_key_index_t             | AES 256 key index                                                                                                                                                                                                        |
| user_tdes_key_index* <sup>2</sup>                 | tsip_tdes_key_index_t            | TDES key index                                                                                                                                                                                                           |
| user_arc4_key_index* <sup>2</sup>                 | tsip_arc4_key_index_t            | ARC4 key index                                                                                                                                                                                                           |
| user_sha1hmac_key_index* <sup>2</sup>             | tsip_hmac_sha_key_index_t        | SHA-1 HMAC key index                                                                                                                                                                                                     |
| user_sha256hmac_key_index* <sup>2</sup>           | tsip_hmac_sha_key_index_t        | SHA-256 HMAC key index                                                                                                                                                                                                   |
| user_rsa1024_ne_key_index* <sup>2</sup>           | tsip_rsa1024_public_key_index_t  | RSA 1024 public key index                                                                                                                                                                                                |
| user_rsa1024_nd_key_index* <sup>2</sup>           | tsip_rsa1024_private_key_index_t | RSA 1024 secret key index                                                                                                                                                                                                |
| user_rsa2048_ne_key_index* <sup>2</sup>           | tsip_rsa2048_public_key_index_t  | RSA 2048 public key index                                                                                                                                                                                                |
| user_rsa2048_nd_key_index* <sup>2</sup>           | tsip_rsa2048_private_key_index_t | RSA 2048 secret key index                                                                                                                                                                                                |
| user_ecc192_public_key_index* <sup>2</sup>        | tsip_ecc_public_key_index_t      | ECC 192 public key index                                                                                                                                                                                                 |
| user_ecc192_private_key_index* <sup>2</sup>       | tsip_ecc_private_key_index_t     | ECC 192 secret key index                                                                                                                                                                                                 |
| user_ecc224_public_key_index* <sup>2</sup>        | tsip_ecc_public_key_index_t      | ECC 224 public key index                                                                                                                                                                                                 |

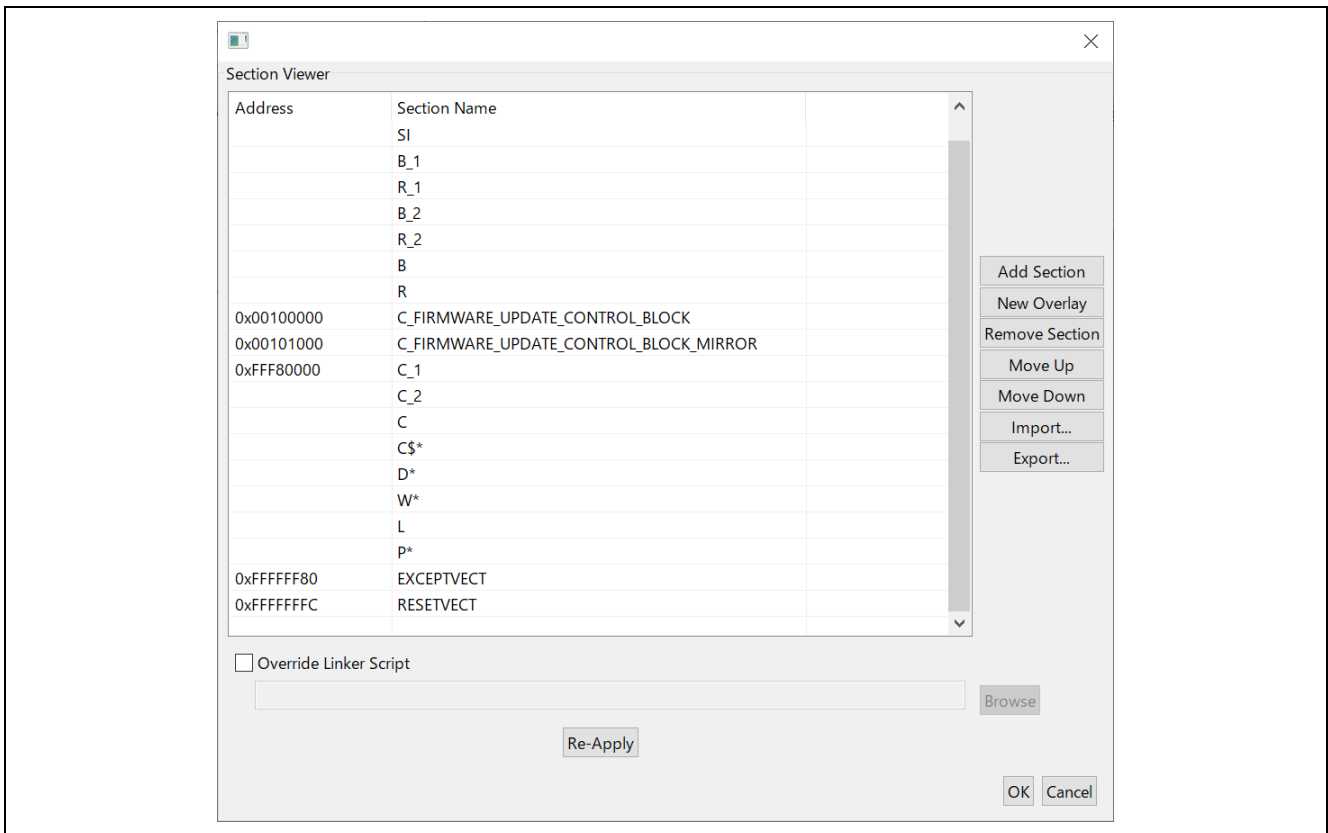
| Name                            | Type                         | Description                                                  |
|---------------------------------|------------------------------|--------------------------------------------------------------|
| user_ecc224_private_key_index*2 | tsip_ecc_private_key_index_t | ECC 224 secret key index                                     |
| user_ecc256_public_key_index*2  | tsip_ecc_public_key_index_t  | ECC 256 public key index                                     |
| user_ecc256_private_key_index*2 | tsip_ecc_private_key_index_t | ECC 256 secret key index                                     |
| hash_sha1[]                     | uint8_t                      | SHA1 hash value of firmware_update_control_data and key_data |

Notes: 1. Key data status only in the demo project.

The user program status is used by the secure boot project (see 6.2 Confirming Operation of the Secure Bootloader and Firmware Update Demo Projects).

2. When a device provided with a TSIP-Lite module is used, TDES, ARC4, HMAC, RSA, and ECC key information is not used. In addition, this data is not present in the key\_data.c and key\_data.h files appended to the demo project versions for devices provided with a TSIP-Lite module. The key\_data.c and key\_data.h files appended to the demo project for the RX671 do not contain ARC4 and RSA-2048 data.

Main data and mirror data blocks are provided in the data flash for the demo project's key information structures. (In the figure below, the main data block is C\_FIRMWARE\_UPDATE\_CONTROL\_BLOCK and the mirror data block is C\_FIRMWARE\_UPDATE\_CONTROL\_BLOCK\_MIRROR.) This prevents loss of the key information in case of a write failure due to circumstances such as a power interruption while updating the key information.



**Figure 6.9 RX231 Demo Project Sections**

In key\_data.c and key\_data.h, definition file of encrypted key in “demo project folder”/src/genkey is included. Refer to 5.3.1 Key Injection Procedure to see how to generate the files.

The demo project implements the following commands.



| Key Type                                      | Value                                                                                                                                                                                                                                                                                                                                                                                                                                                                                                                                                                                                                                                                                                                                                                                                                                                                                                                                                                                                                                                                                                                       |
|-----------------------------------------------|-----------------------------------------------------------------------------------------------------------------------------------------------------------------------------------------------------------------------------------------------------------------------------------------------------------------------------------------------------------------------------------------------------------------------------------------------------------------------------------------------------------------------------------------------------------------------------------------------------------------------------------------------------------------------------------------------------------------------------------------------------------------------------------------------------------------------------------------------------------------------------------------------------------------------------------------------------------------------------------------------------------------------------------------------------------------------------------------------------------------------------|
| RSA 2048-bit public<br>*1*2                   | bad47a84c1782e4dbdd913f2a261fc8b65838412c6e45a2068ed6d7f16e9cdf4<br>462b39119563cafb74b9cbf25cfd544bdae23bff0ebe7f6441042b7e109b9a8a<br>faa056821ef8efaab219d21d6763484785622d918d395a2a31f2ece8385a8131<br>e5ff143314a82e21afd713bae817cc0ee3514d4839007ccb55d68409c97a18ab<br>62fa6f9f89b3f94a2777c47d6136775a56a9a0127f682470bef831fbec4bcd7b<br>5095a7823fd70745d37d1bf72b63c4b1b4a3d0581e74bf9ade93cc4614861755<br>3931a79d92e9e488ef47223ee6f6c061884b13c9065b591139de13c1ea292749<br>1ed00fb793cd68f463f5f64baa53916b46c818ab99706557a1c2d50d232577d1<br>00010001                                                                                                                                                                                                                                                                                                                                                                                                                                                                                                                                                    |
| RSA 2048-bit private<br>*1*2                  | bad47a84c1782e4dbdd913f2a261fc8b65838412c6e45a2068ed6d7f16e9cdf4<br>462b39119563cafb74b9cbf25cfd544bdae23bff0ebe7f6441042b7e109b9a8a<br>faa056821ef8efaab219d21d6763484785622d918d395a2a31f2ece8385a8131<br>e5ff143314a82e21afd713bae817cc0ee3514d4839007ccb55d68409c97a18ab<br>62fa6f9f89b3f94a2777c47d6136775a56a9a0127f682470bef831fbec4bcd7b<br>5095a7823fd70745d37d1bf72b63c4b1b4a3d0581e74bf9ade93cc4614861755<br>3931a79d92e9e488ef47223ee6f6c061884b13c9065b591139de13c1ea292749<br>1ed00fb793cd68f463f5f64baa53916b46c818ab99706557a1c2d50d232577d1<br>40d60f24b61d76783d3bb1dc00b55f96a2a686f59b3750fdb15c40251c370c65<br>cada222673811bc6b305ed7c90ffc3abdddc8336612ff13b42a75cb7c88fb93<br>6291b523d80acce5a0842c724ed85a1393faf3d470bda8083fa84dc5f3149984<br>4f0c7c1e93fb1f734a5a29fb31a35c8a0822455f1c850a49e8629714ec6a2657<br>efe75ec1ca6e62f9a3756c9b20b4855bdc9a3ab58c43d8af85b837a7fd15aa11<br>49c119cfe960c05a9d4cea69c9fb6a897145674882bf57241d77c054dc4c94e8<br>349d376296137eb421686159cb878d15d171eda8692834afc871988f203fc822<br>c5dcee7f6c48df663ea3dc755e7dc06aebd41d05f1ca2891e2679783244d068f |
| ECC 192-bit public*2<br>(top: Qx, bottom: Qy) | fba2aac647884b504eb8cd5a0a1287babcc62163f606a9a2<br>dae6d4cc05ef4f27d79ee38b71c9c8ef4865d98850d84aa5                                                                                                                                                                                                                                                                                                                                                                                                                                                                                                                                                                                                                                                                                                                                                                                                                                                                                                                                                                                                                        |
| ECC 192-bit private*2                         | 7891686032fd8057f636b44b1f47cce564d2509923a7465b                                                                                                                                                                                                                                                                                                                                                                                                                                                                                                                                                                                                                                                                                                                                                                                                                                                                                                                                                                                                                                                                            |
| ECC 224-bit public*2<br>(top: Qx, bottom: Qy) | 4c741e4d20103670b7161ae72271082155838418084335338ac38fa4<br>db7919151ac28587b72bad7ab180ec8e95ab9e2c8d81d9b9d7e2e383                                                                                                                                                                                                                                                                                                                                                                                                                                                                                                                                                                                                                                                                                                                                                                                                                                                                                                                                                                                                        |
| ECC 224-bit private*2                         | 888fc992893bdd8aa02c80768832605d020b81ae0b25474154ec89aa                                                                                                                                                                                                                                                                                                                                                                                                                                                                                                                                                                                                                                                                                                                                                                                                                                                                                                                                                                                                                                                                    |
| ECC 256-bit public*2<br>(top: Qx, bottom: Qy) | 1ccbe91c075fc7f4f033bfa248db8fccd3565de94bbfb12f3c59ff46c271bf83<br>ce4014c68811f9a21a1fdb2c0e6113e06db7ca93b7404e78dc7ccd5ca89a4ca9                                                                                                                                                                                                                                                                                                                                                                                                                                                                                                                                                                                                                                                                                                                                                                                                                                                                                                                                                                                        |
| ECC 256-bit private*2                         | 519b423d715f8b581f4fa8ee59f4771a5b44c8130b4e3eacca54a56dda72b464                                                                                                                                                                                                                                                                                                                                                                                                                                                                                                                                                                                                                                                                                                                                                                                                                                                                                                                                                                                                                                                            |

Notes: 1. The RSA 1024-bit key pair has the following values:

Modulus n:

ccd6cb86f59ffa97c278b7cf395fa56f3709a958bce1e6e3ae196b471f4517f  
64d32d81d10bcea5b55b9ea659c3b9db1854a696b801a8e72439265e85bc6138  
cf874f45fe22a2477fe8337671357db67180b1ac9a0e84c098dbcdca8a3e6a72  
dfcee7e6907ede2d53aa726e8e97ea26fcba3bbfa7b7fbfbb70f1ec1d153125

Exponent e: 00010001

Decryption Exponent d:

096ed2cc923f1df11c208e11e0fdc51b7ff66d87f97a32788d099a7110d65972  
6e68332e493c2bf6019608864c97f0d52017b5dc36f90c982858e16574ef29e2  
e8b6f4386bdbb1beae60390aaac0160ce787f98ba34c83d6612badbc99d17666  
04e72b394d1991fc4ded87e11cf165caae0cc652771b8395ed5b9a99a9fa5781

The RSA 2048-bit key pair has the following values:

Modulus n:

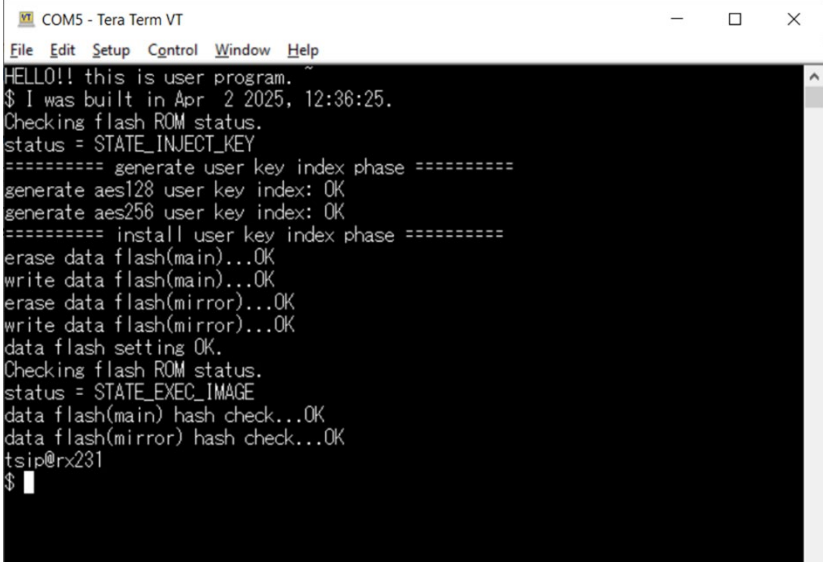
bad47a84c1782e4dbdd913f2a261fc8b65838412c6e45a2068ed6d7f16e9cdf4  
462b39119563cafb74b9cbf25cfd544bdae23bff0ebe7f6441042b7e109b9a8a  
faa056821ef8efaab219d21d6763484785622d918d395a2a31f2ece8385a8131  
e5ff143314a82e21afd713bae817cc0ee3514d4839007ccb55d68409c97a18ab





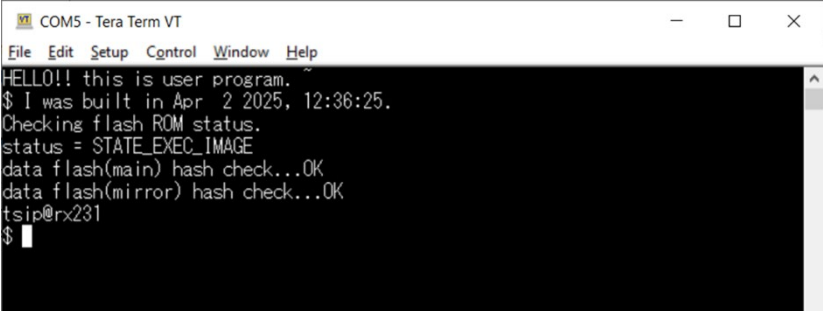
### 6.1.3 Demo Project Execution Example

Figure 6.10 shows the terminal output when key installation completes successfully after the program is downloaded to the MCU and run for the first time, and Figure 6.11 shows the terminal output when the program is run from a state other than when it has been newly downloaded to the MCU. After the above output is displayed, the program is ready to accept the commands listed in Table 6.3.



```
COM5 - Tera Term VT
File Edit Setup Control Window Help
HELLO!! this is user program.
$ I was built in Apr 2 2025, 12:36:25.
Checking flash ROM status.
status = STATE_INJECT_KEY
===== generate user key index phase =====
generate aes128 user key index: OK
generate aes256 user key index: OK
===== install user key index phase =====
erase data flash(main)...OK
write data flash(main)...OK
erase data flash(mirror)...OK
write data flash(mirror)...OK
data flash setting OK.
Checking flash ROM status.
status = STATE_EXEC_IMAGE
data flash(main) hash check...OK
data flash(mirror) hash check...OK
tsip@rx231
$
```

Figure 6.11 Tera Term Display (Initial Execution on RSK RX231 Board)



```
COM5 - Tera Term VT
File Edit Setup Control Window Help
HELLO!! this is user program.
$ I was built in Apr 2 2025, 12:36:25.
Checking flash ROM status.
status = STATE_EXEC_IMAGE
data flash(main) hash check...OK
data flash(mirror) hash check...OK
tsip@rx231
$
```

Figure 6.12 Tera Term Display (2nd and Subsequent Executions on RSK RX231 Board)

Figure 6.12 shows a usage example in which the command and argument **encdemo aaaaaaaaaaaaaaaaaaaaaaaaaaaaaaaaa** are entered and encryption is performed using an AES 128-bit key index. The key used for encryption is the user key (16 bytes (128 bits)) input to Security Key Management Tool. When the command is run using the default value of **0x11, 0x11, 0x11, 0x11, 0x22, 0x22, 0x22, 0x22, 0x33, 0x33, 0x33, 0x33, 0x44, 0x44, 0x44, 0x44**, the result is as shown in the screenshot below.

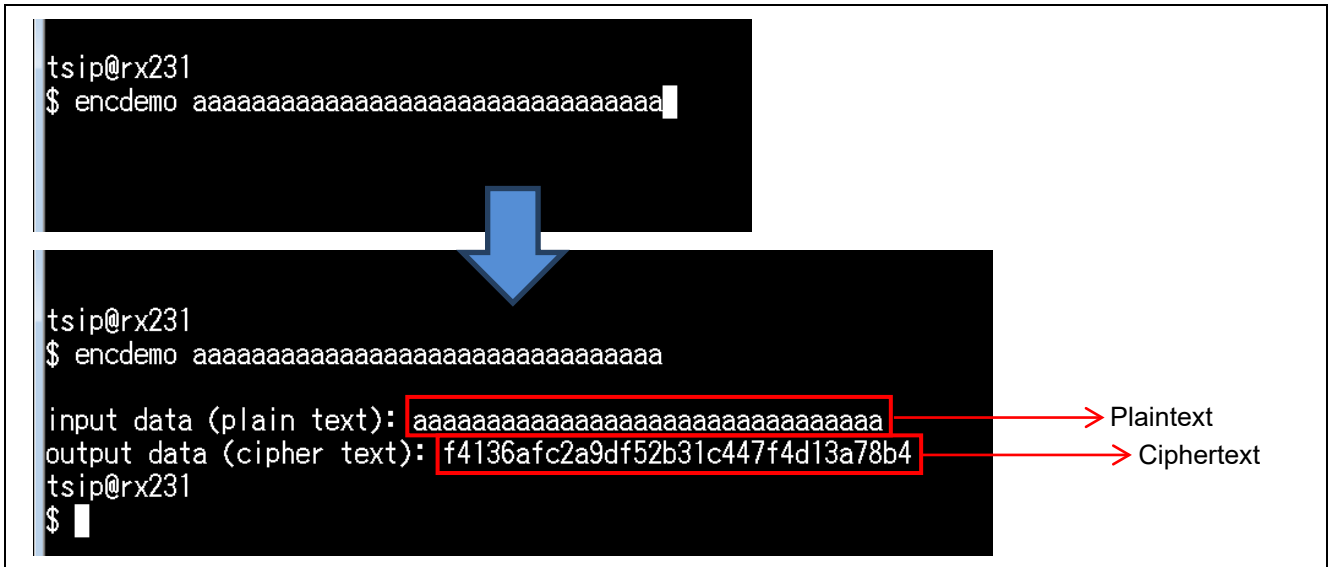


Figure 6.13 Tera Term Display (encdemo Command)

**[Key Point 1]**

The user key is stored in the data flash area (0x00100000), but make sure the user key specified in Security Key Management Tool (default value: 0x11, 0x11, 0x11, 0x11, 0x22, 0x22, 0x22, 0x22, 0x33, 0x33, 0x33, 0x33, 0x44, 0x44, 0x44, 0x44) is not exposed.

This is important to ensure that the user key cannot be discovered by reverse engineering the software.

**[Key Point 2]**

The wrapped key is tied to the HUK. It is not possible to use a wrapped key generated on one chip on another chip by copying it over. This is because the TSIP driver verifies the wrapped key by checking it against the HUK.

This is important to prevent dead copying of software.

**[Key Point 3]**

The wrapped key is always output as a different value even when the same user key is input. This is because a random number is used when generating the wrapped key.

This is important to reduce the risk of the user key being guessed based on the wrapped key.

## 6.2 Confirming Operation of the Secure Bootloader and Firmware Update Demo Projects

The secure bootloader and firmware update demo projects use the API functions listed in 4.2.16, Firmware Update, to decrypt on the device a user program encrypted as described in 3.14.3, Encrypting the User Program. The term firmware update refers to the process of writing the encrypted user program to the on-chip flash ROM following verification. Secure boot refers to the process of verifying the user program before execution. The secure bootloader and firmware update demo projects are sample programs that implement firmware update and secure boot operations.

Two demo projects are provided, a secure bootloader project and a firmware update project. The secure bootloader project includes firmware update functionality to write the initial firmware to the device.

Secure bootloader project: rxXXX\_bbb\_tsip\_secure\_boot\*<sup>1</sup>

Firmware update project: rxXXX\_bbb\_tsip\_user\_program\*<sup>1</sup>

The firmware update functionality of the demo projects supports use of a UART\*<sup>2,3</sup> or USB\*<sup>4</sup> interface to send the initial program or the updated program to the device. In addition, Security Key Management Tool can be used to generate a file in Motorola S format\*<sup>5</sup> containing both the secure bootloader and the encrypted user program for use when performing programming at the factory (factory programming function).

The demo projects can use dual bank mode for firmware update operation on devices with on-chip flash ROM that supports dual bank mode.

- Notes:
1. The versions of projects for devices without USB support only provide support for UART. Project versions that do not support USB have `_sci` in the project name. Also, the letters `bbb` are replaced by the board name. RSK is indicated by `rsk`, MCB by `mcb`, and Envision Kit by `ek`.
  2. For devices that are incompatible with dual bank mode (the RX231, RX66T, and RX72T), use the PMOD USB-UART converter board for UART flow control. It is also necessary to use the PMOD USB-UART converter board with boards lacking USB-serial conversion capability (the MCB RX26T).
  3. For devices that are compatible with dual bank mode (the RX65N, RX671, RX72M, and RX72N) and when to use RSU header Ver.1, can use 1 area update function and which firmware update operation can be executed without using PMOD USB-UART converter board. However, when to use RSU header Ver.2, the 1 area update function can not be used and PMOD USB-UART converter board for UART flow control is required.
  4. The RX66T and RX26T do not have USB interface support, so there is no demo project that uses USB provided for these devices.
  5. Motorola S format files containing a secure bootloader and an encrypted user program can be decrypted by a corresponding RX TSIP-equipped device if the Motorola S format file itself is stolen. It is therefore necessary to ensure that programming to devices of encrypted user programs with secure bootloaders takes place in a secure facility.

### 6.2.1 Demo Project Setup

The demo projects will run on the boards listed in Table 6.5, Boards Used in Demo Projects and Their Settings. To use the USB interface, set the jumper on the RSK board to the USB-HOST side to enable USB Host mode on the board. The factory default setting is the USB-FUNCTION side. For devices that do not support dual bank mode and projects using RSU header Ver.2, use the PMOD USB-UART converter board for status indications and transfer of the update program.

**Table 6-5 Boards used in the demo project and their settings**

| Boards                | Jumper setting                    | Flash Mode     | Note                                                                                                                                |
|-----------------------|-----------------------------------|----------------|-------------------------------------------------------------------------------------------------------------------------------------|
| RSK RX231             | J15 : 1-2 short                   | -              | When using UART as the interface, the 0 Ω resistors on the RSK board must be replaced. A PMOD USB-UART converter board is required. |
| MCB RX26T             | -                                 | Dual Bank Mode | A PMOD USB-UART converter board is required. Supports UART only.                                                                    |
| RSK RX65N             | J7 : 1-2 short<br>J16 : 2-3 short | Dual Bank Mode | When using RSU header Ver.2, a PMOD USB-UART converter board is required.                                                           |
| RSK RX66T             | -                                 | -              | A PMOD USB-UART converter board is required. Supports UART only.                                                                    |
| RSK RX671             | J8 : 2-3 short<br>J13 : 2-3 short | Dual Bank Mode | When using RSU header Ver.2, a PMOD USB-UART converter board is required.                                                           |
| RSK RX72M             | J8 : 2-3 short<br>J10 : 2-3 short | Dual Bank Mode | When using RSU header Ver.2, a PMOD USB-UART converter board is required.                                                           |
| RSK RX72N             | J7 : 2-3 short<br>J8 : 2-3 short  | Dual Bank Mode | When using RSU header Ver.2, a PMOD USB-UART converter board is required.                                                           |
| RX72N<br>Envision Kit | -                                 | Dual Bank Mode | When using RSU header Ver.2, a PMOD USB-UART converter board is required.                                                           |
| RSK RX72T             | J13 : 1-2 short                   | -              | A PMOD USB-UART converter board is required.                                                                                        |

The figures showing execution results show results for the RX65N. The terminal emulator used is Tera Term.

The operation of the demo projects has been confirmed using little-endian byte ordering. RX Firmware Update FIT V.1.05 is used with some modifications. Changes are indicated by the comment */\* modified from original fwup code \*/*.

The link size of the demo projects for TSIP-equipped devices is larger than 128 KB. You will need to purchase the commercial version of the CC-RX compiler in order to use them.

Connections between the PC and board are shown below.

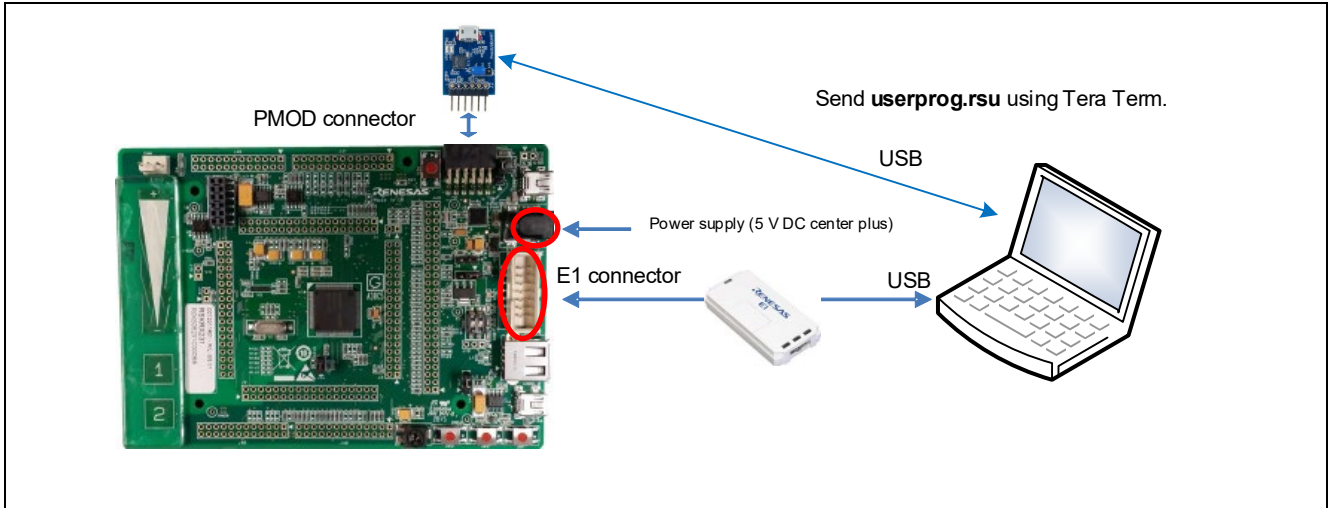


Figure 6.14 Connections between RSK RX231\*2 and PC for Firmware Updates Using UART\*1

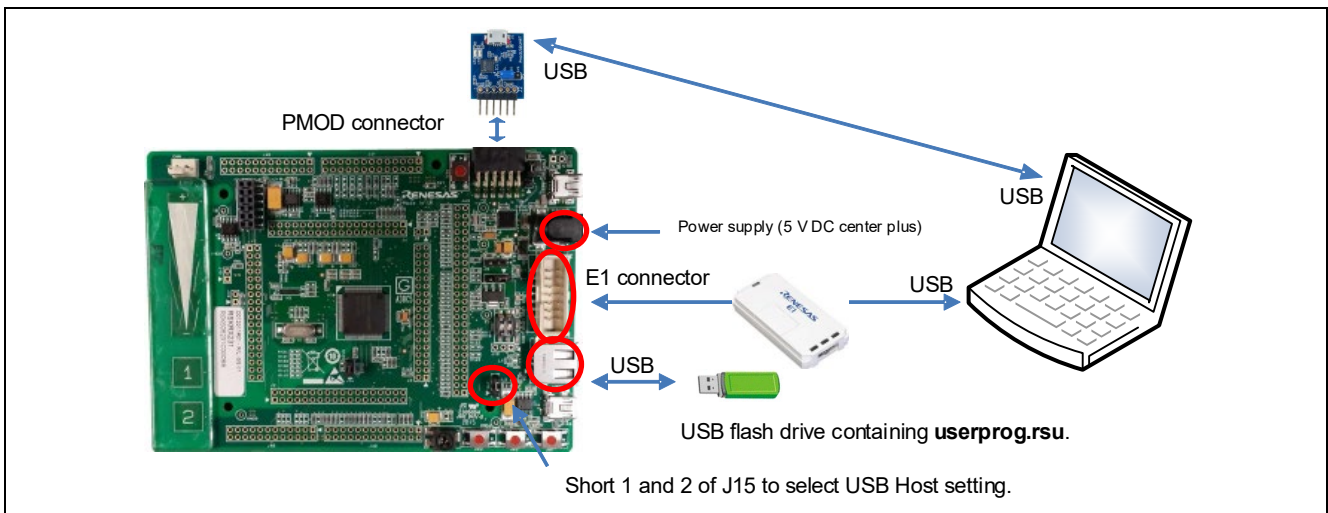


Figure 6.15 Connections between RSK RX231 and PC for Firmware Updates Using USB

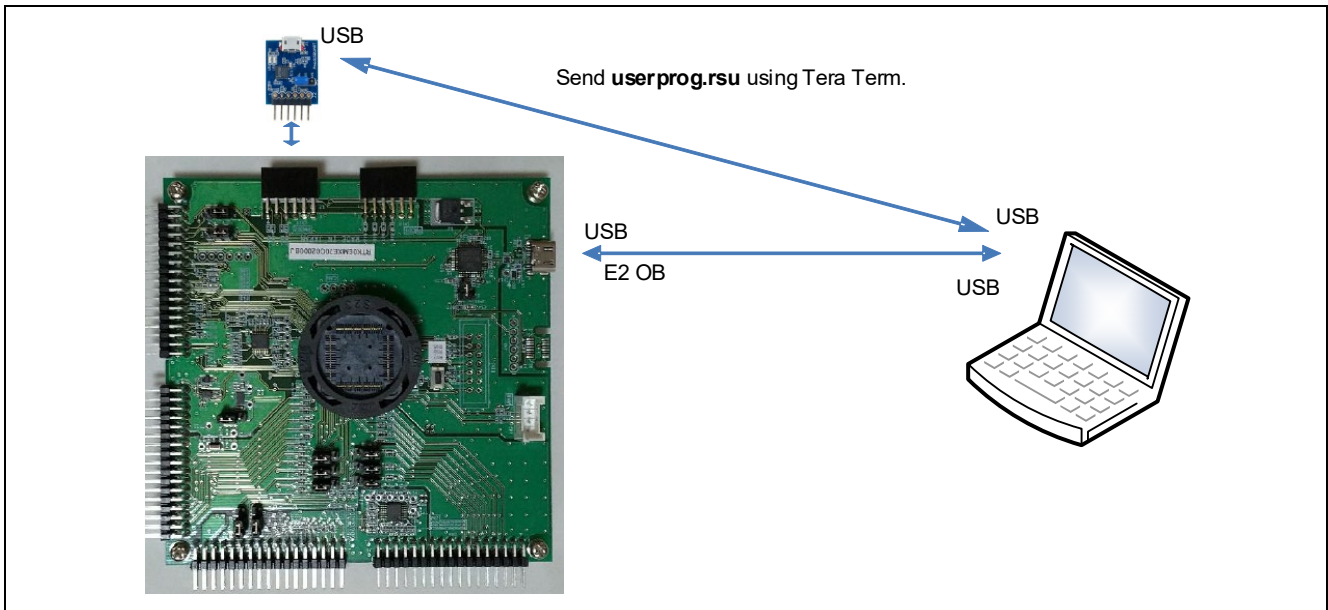


Figure 6.16 Connections between MCB RX26T and PC for Firmware Updates Using UART

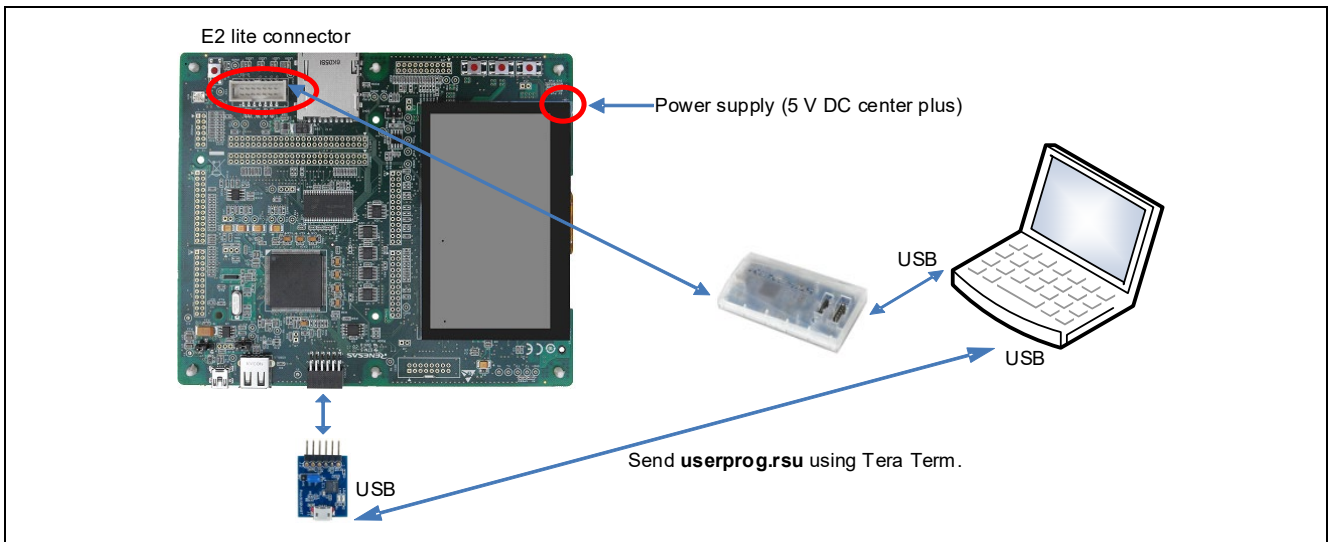


Figure 6.17 Connections between RSK RX65N-2MB and PC for Firmware Updates Using UART

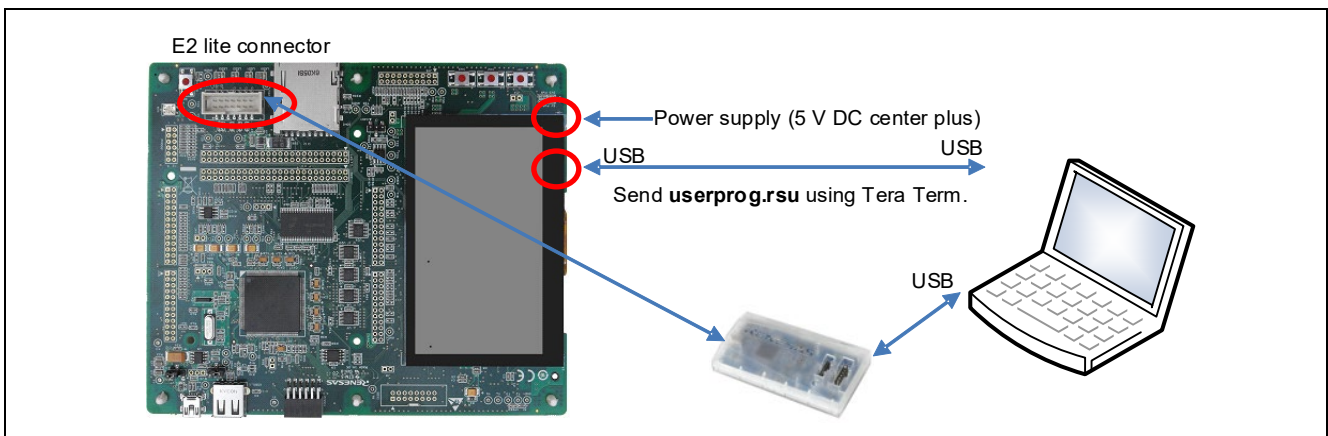


Figure 6.18 Connections between RSK RX65N-2MB and PC for Firmware Updates Using UART (1 area update)

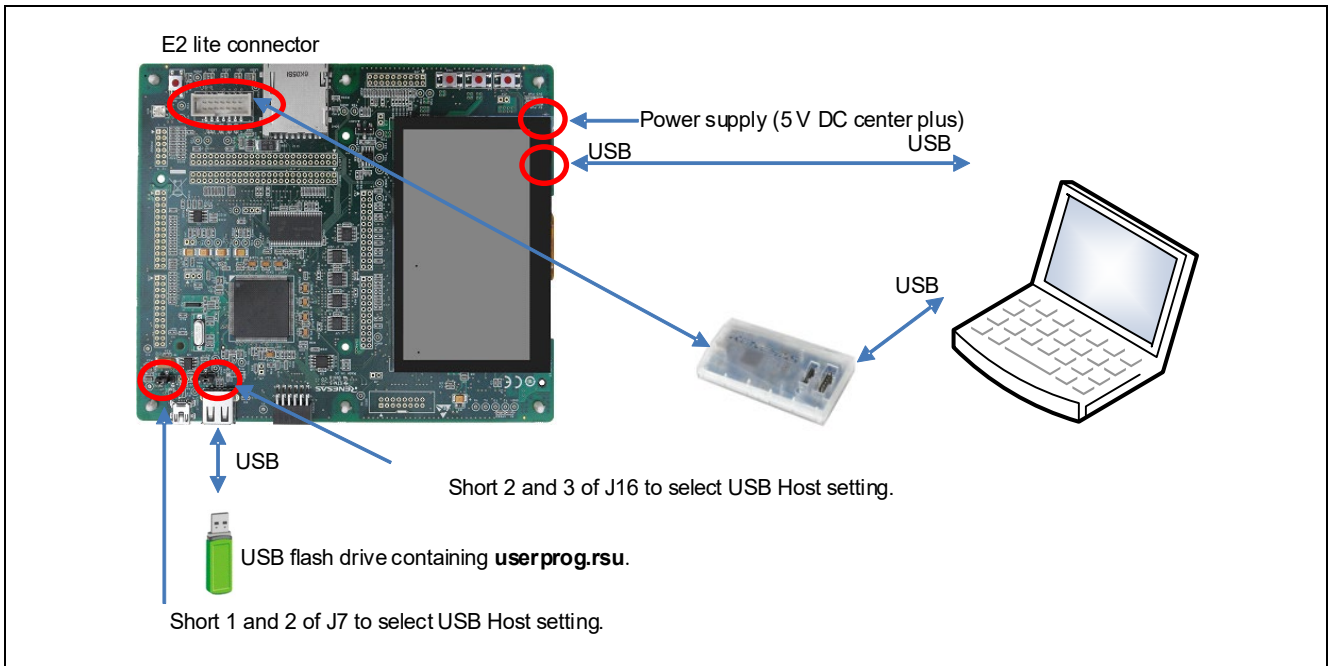


Figure 6.19 Connections between RSK RX65N-2MB and PC for Firmware Updates Using USB

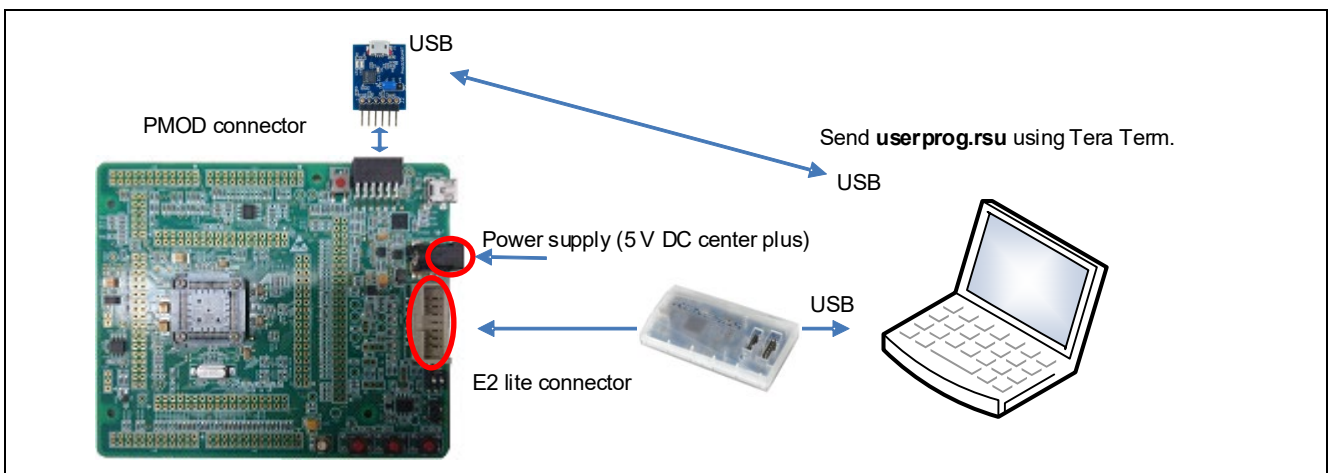


Figure 6.20 Connections between RSK RX66T and PC for Firmware Updates Using UART\*1



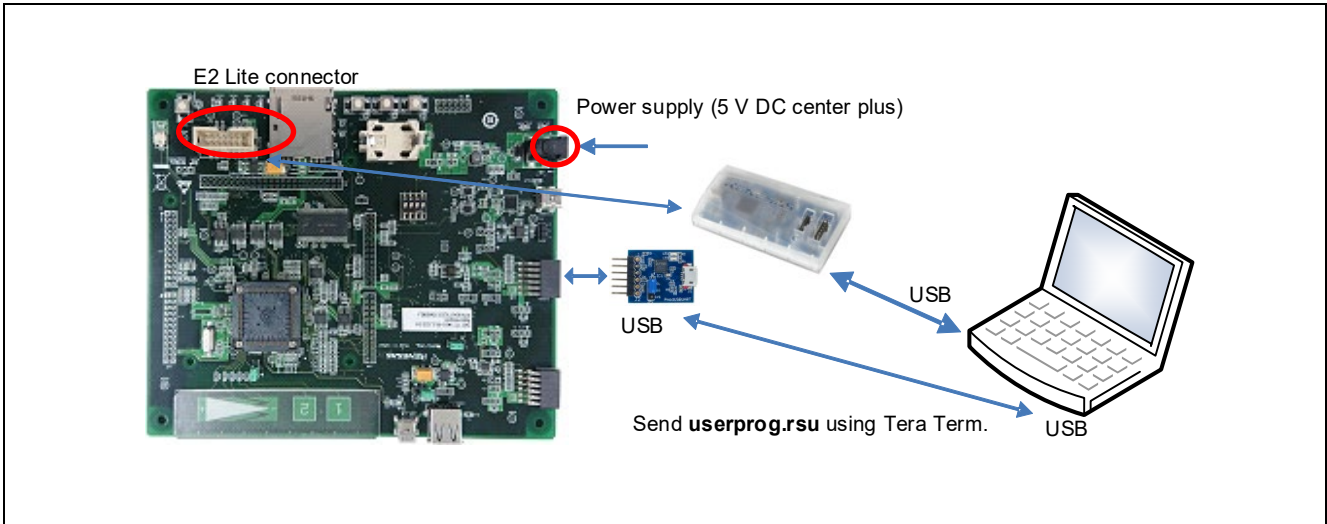


Figure 6.21 Connections between RSK RX671 and PC for Firmware Updates Using UART

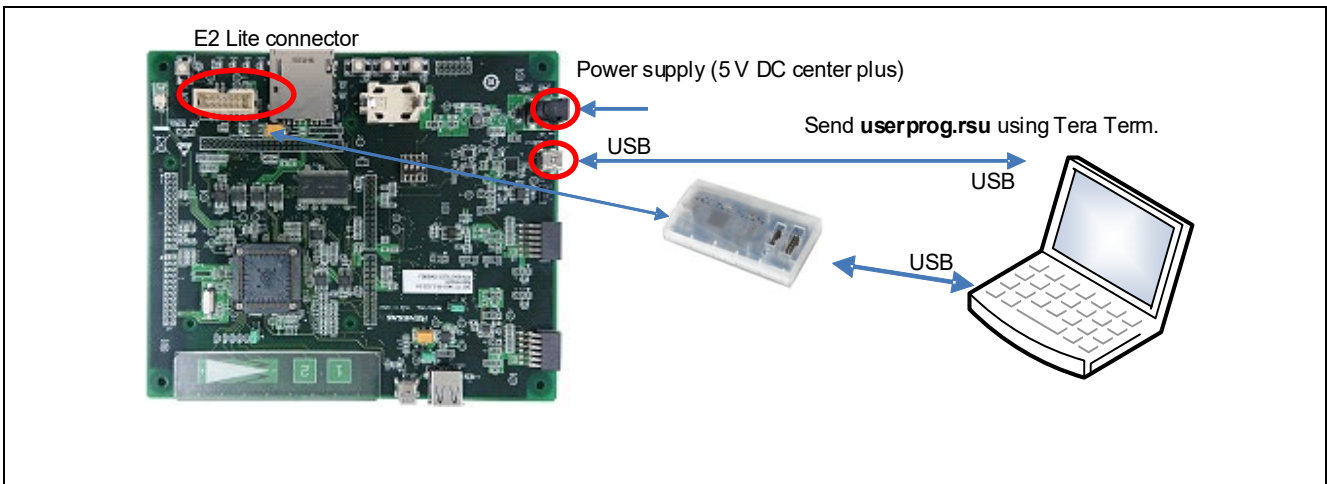


Figure 6.22 Connections between RSK RX671 and PC for Firmware Updates Using UART (1 area update)

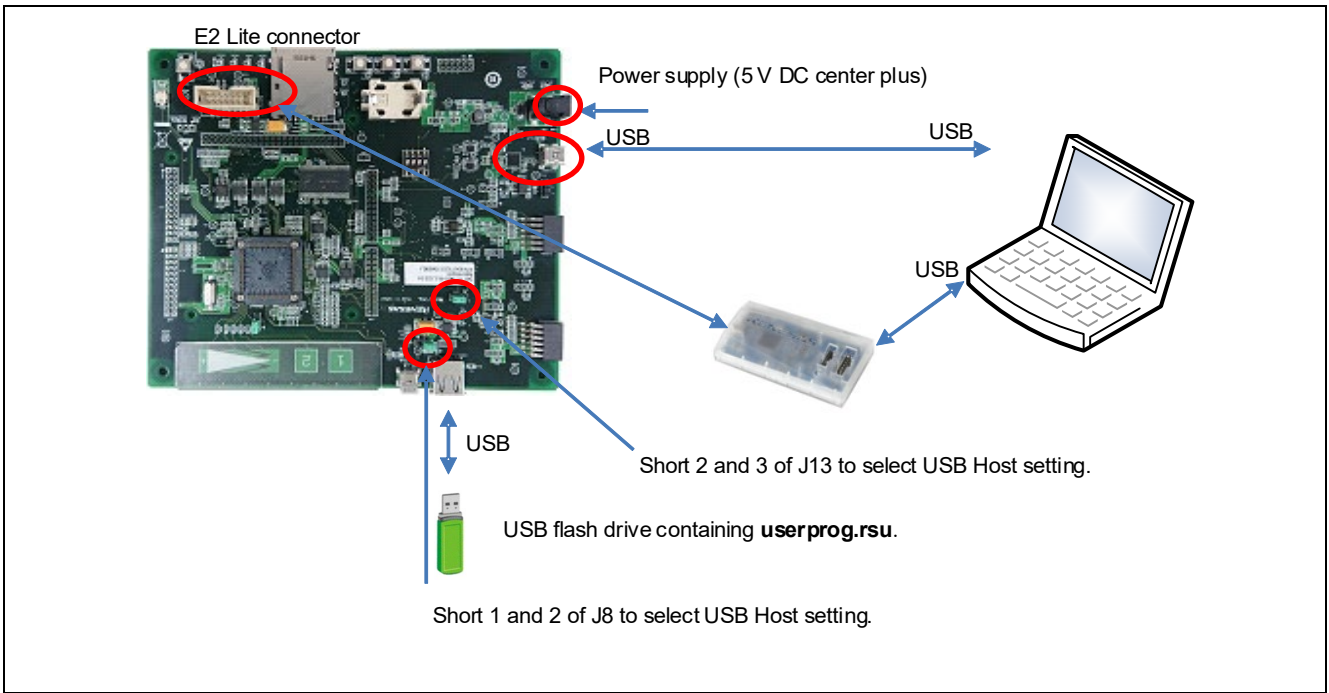


Figure 6.23 Connections between RSK RX671 and PC for Firmware Updates Using USB

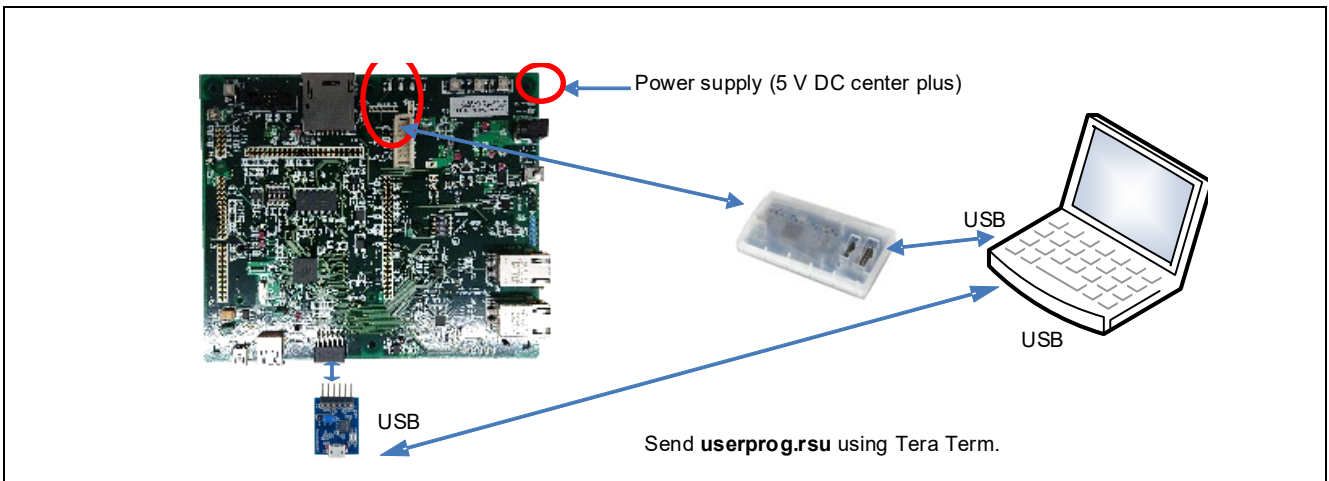
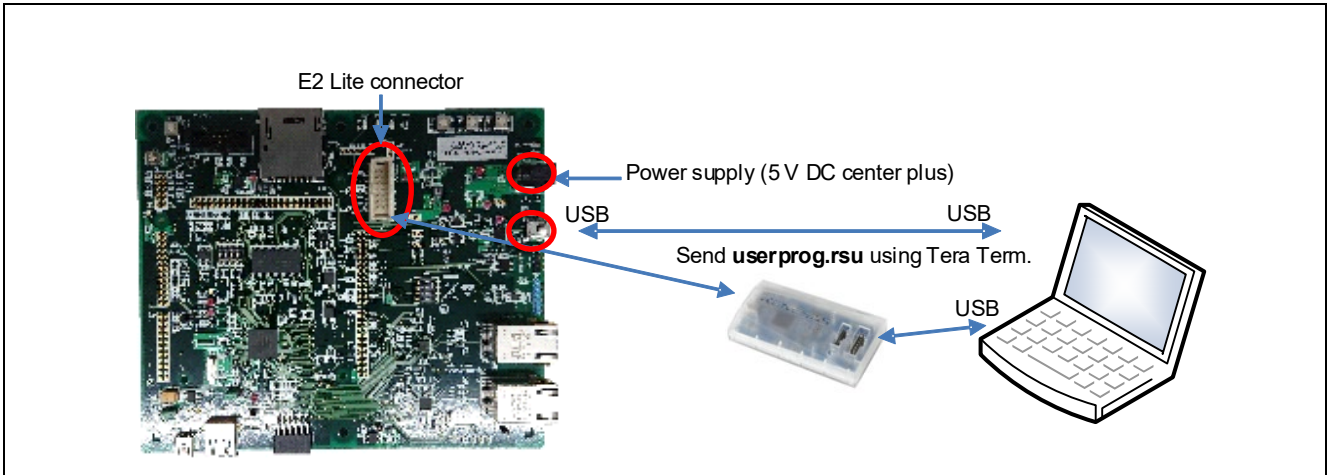
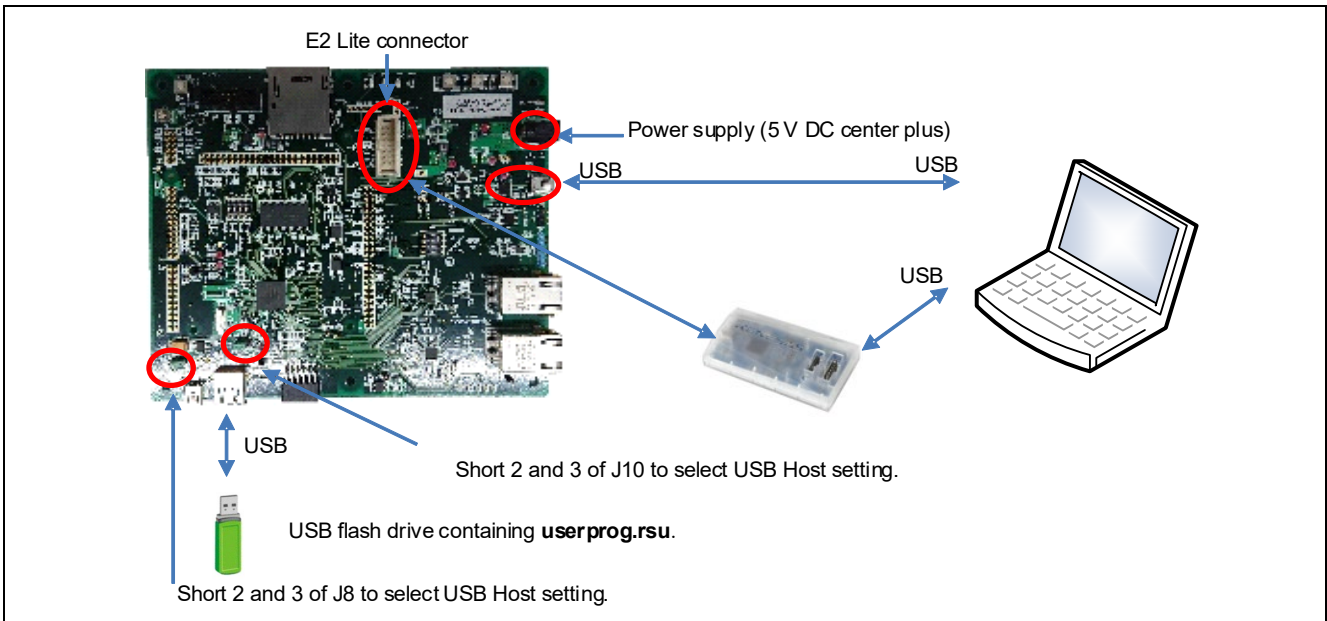


Figure 6.24 Connections between RSK RX72M and PC for Firmware Updates Using UART



**Figure 6.25** Connections between RSK RX72M and PC for Firmware Updates Using UART (1 area update)



**Figure 6.26** Connections between RSK RX72M and PC for Firmware Updates Using USB

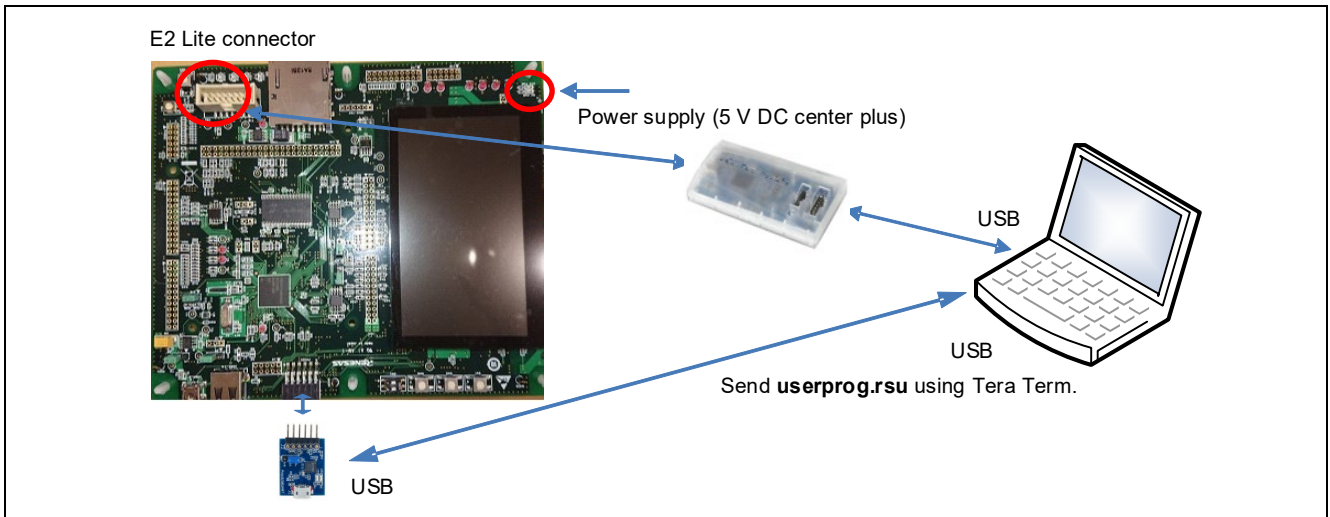


Figure 6.27 Connections between RSK RX72N and PC for Firmware Updates Using UART

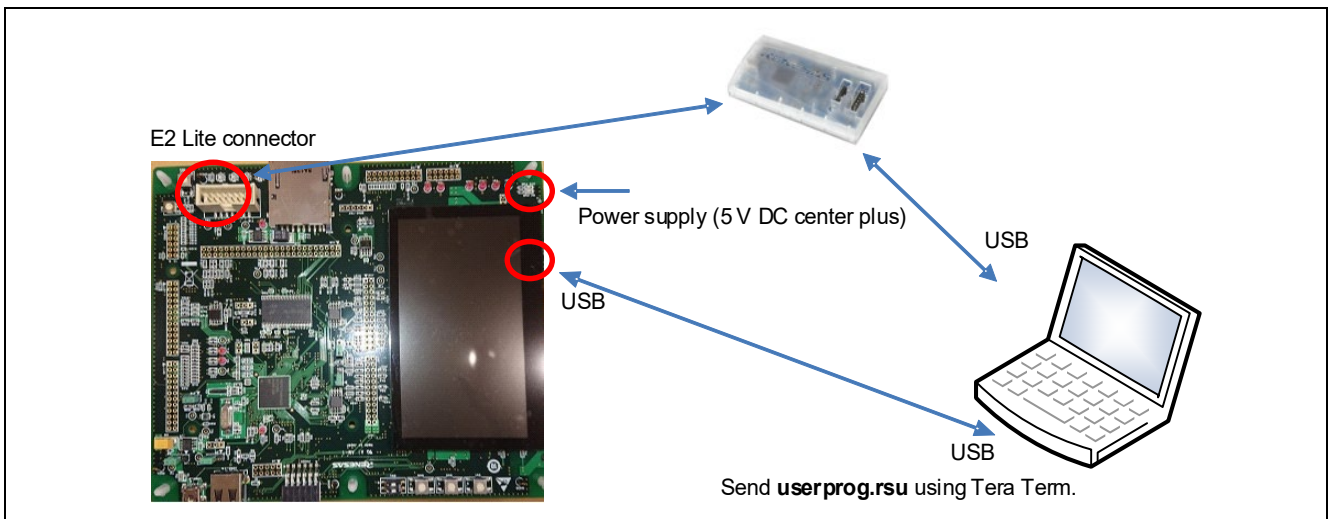


Figure 6.28 Connections between RSK RX72N and PC for Firmware Updates Using UART (1 area update)

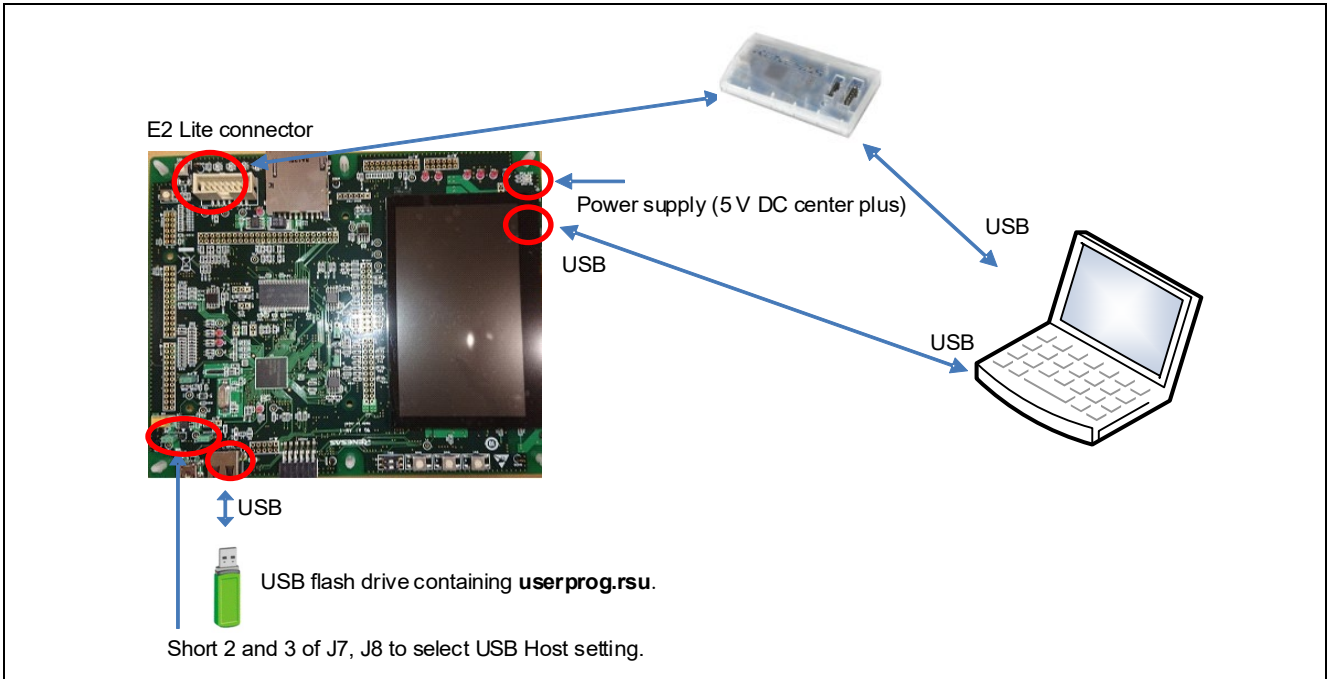


Figure 6.29 Connections between RSK RX72N and PC for Firmware Updates Using USB

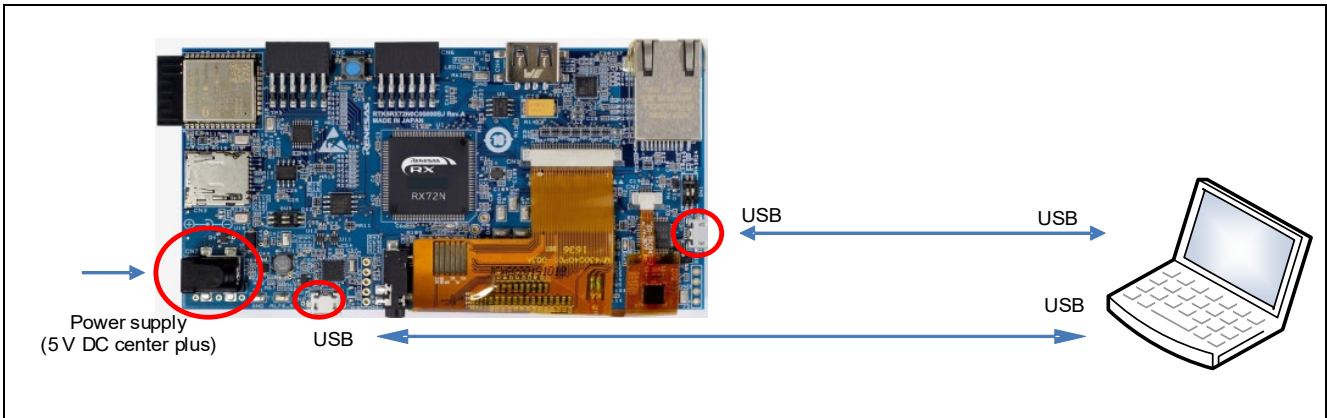


Figure 6.30 Connections between RX72N Envision Kit and PC for Firmware Updates Using UART

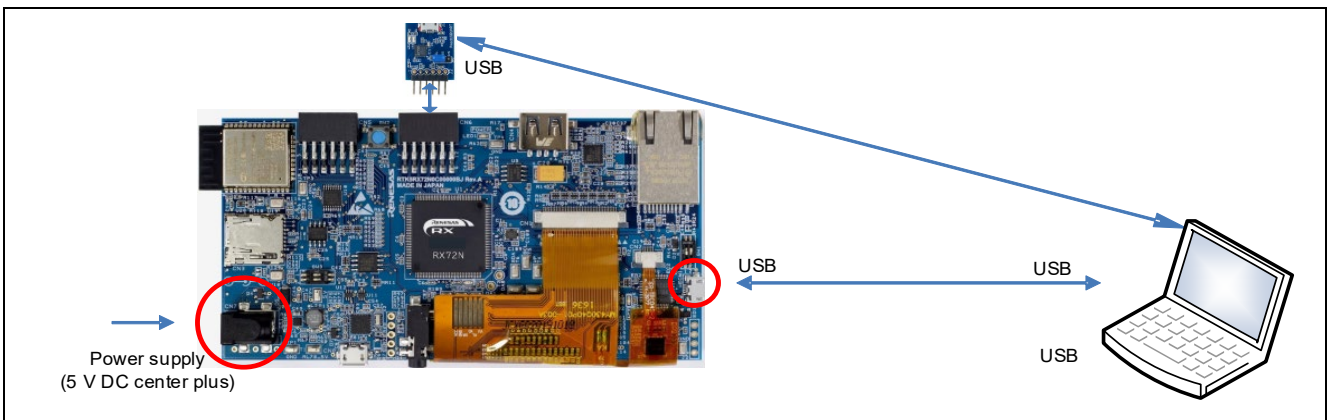


Figure 6.31 Connections between RX72N Envision Kit and PC for Firmware Updates Using UART (1 area update)

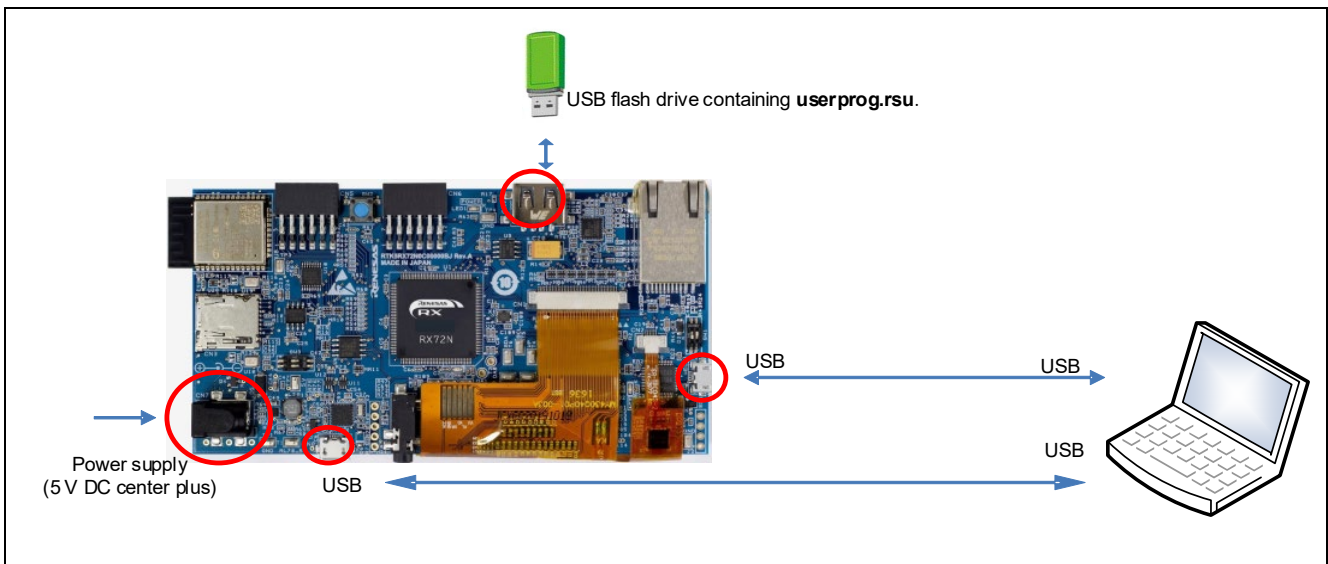


Figure 6.32 Connections between RX72N Envision Kit and PC for Firmware Updates Using USB

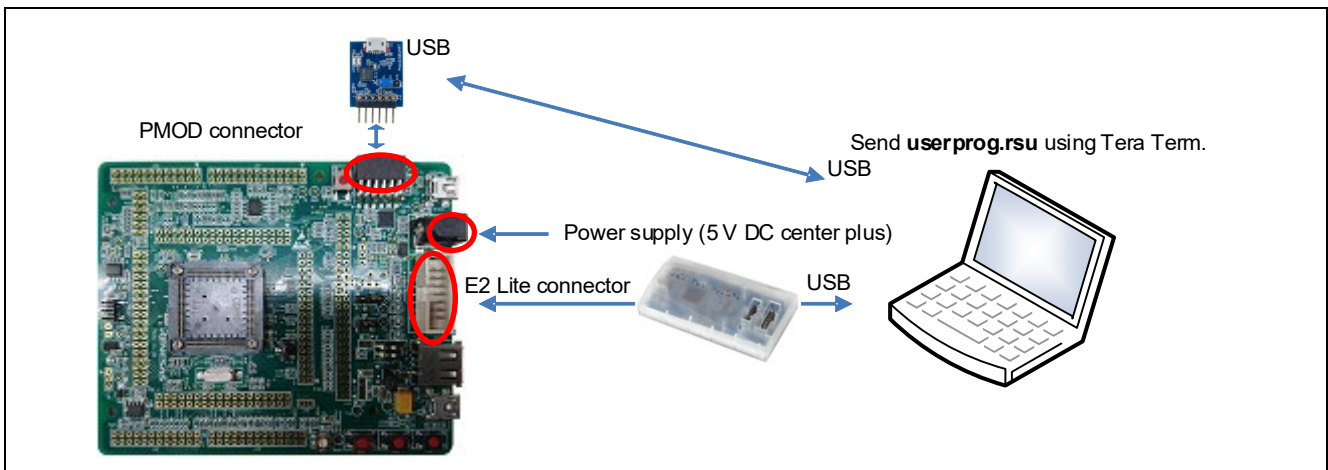


Figure 6.33 Connections between RSK RX72T and PC for Firmware Updates Using UART\*1

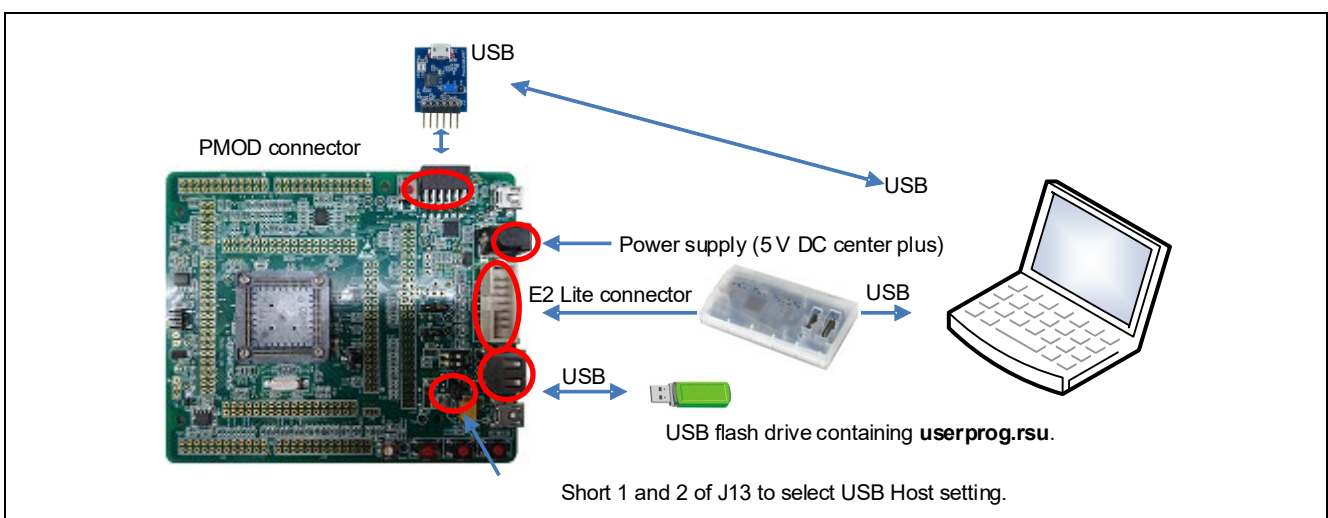


Figure 6.34 Connections between RSK RX72T and PC for Firmware Updates Using USB

Notes: 1. The operation of the demo projects has been confirmed using a Pmod USBUART from Digilent. The connection to the PMOD connector on the RX RSK board must be made as shown below.

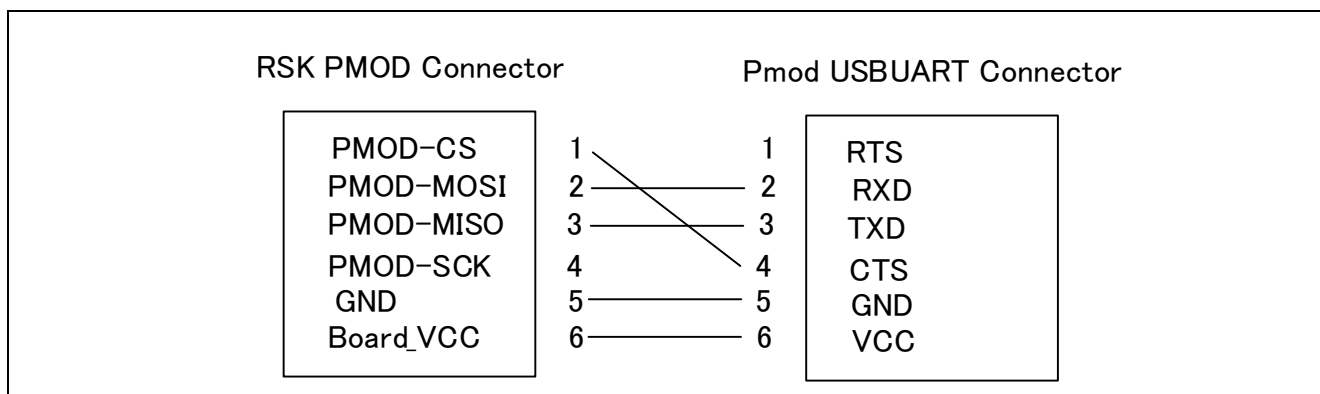


Figure 6.35 Connection diagram of RX RSK and Pmod USBUART

2. To perform flow control of the Pmod USBUART board connected to the PMOD1 connector on the RSK RX231 board, it is necessary to replace the previously mounted 0 Ω resistors with a pattern with no devices mounted.

| Mounted |   | Not Mounted |
|---------|---|-------------|
| R125    | → | R126        |
| R128    | → | R127        |
| R135    | → | R134        |

Tera Term serial settings are as follows.

Table 6-6 Tera Term serial settings

| Item         | Value     |
|--------------|-----------|
| Speed        | 115200bps |
| Data         | 8bit      |
| Parity       | none      |
| Stop bit     | 1bit      |
| New-line     | CR        |
| Local echo   | OFF       |
| Flow control | RTS/CTS   |

Table 6-7 Tera Term settings (1 area update)

| Item         | Value    |
|--------------|----------|
| Speed        | 57600bps |
| Data         | 8bit     |
| Parity       | none     |
| Stop bit     | 1bit     |
| New-line     | CR       |
| Local echo   | OFF      |
| Flow control | none     |

## 6.2.2 Overview of Secure Bootloader and Firmware Update Projects

This section provides an overview of the secure bootloader project and firmware update project. The directory structure is described in Table 6-8.

**Table 6-8 Directory structure of secure bootloader project and firmware update project**

| Directory Name                     | Description                                               |
|------------------------------------|-----------------------------------------------------------|
| FITDemos                           | Demo project folder                                       |
| rxXXX_bbb_tsip_secure_update *1 *2 | Secure boot/secure update implementation example          |
| rxXXX_bbb_tsip_secure_boot *1 *2   | Secure boot firmware                                      |
| key                                | UFPK and W-UFPK file which can be used to execute example |
| skmt                               | Settign file of Security Key Management Tool              |
| src                                | Source code of the secure boot firmware                   |
| rxXXX_bbb_tsip_user_program *1 *2  | User program following secure update                      |
| src                                | Source code of the user program                           |

Note: 1. "rxXXX" represents the RX group names.

2. "bbb" is the name of the supported board. Usually, USB and UART are available as IF for Update, but if the MCU does not support USB, only UART is supported. The director name of project which support only UART includes \_sci before \_secure\_boot and \_user\_program.

RSK : rsk (rsk(\_tsip)\_sci : only support UART)

MCB : mcb (mcb(\_tsip)\_sci : only support UART)

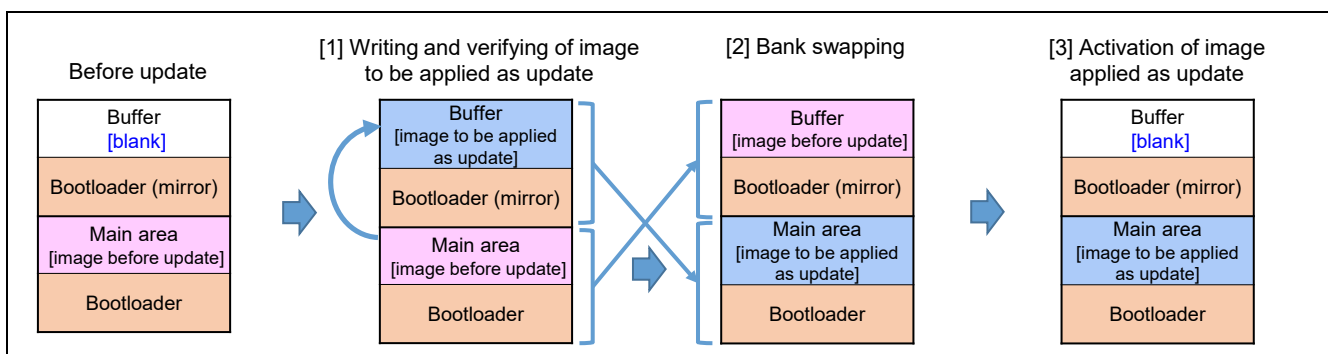
Envision Kit : ek

The RX TSIP FIT secure bootloader and firmware update projects are sample programs that divide the flash ROM area into two sections, which are used as the main area and buffer area.

Main area: Storage area for user program to be executed

Buffer area: Storage area for image to be applied as an update

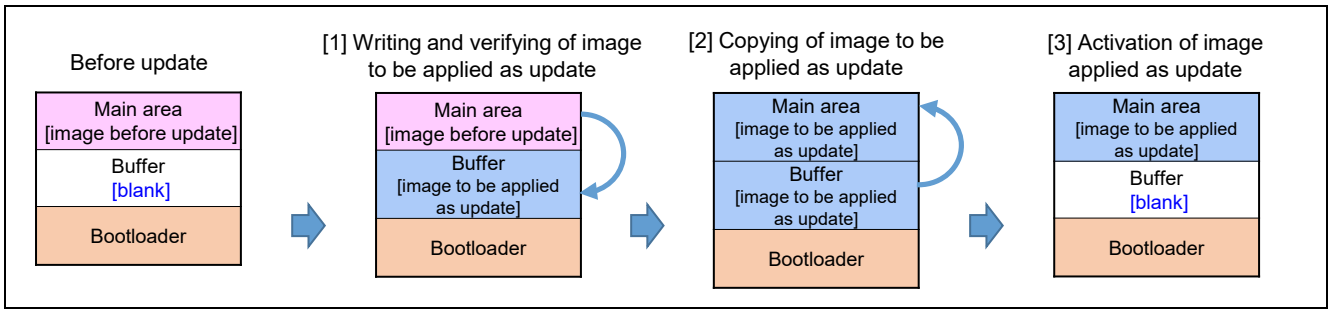
On devices with flash ROM that supports the dual bank function, this functionality is utilized in the firmware update operation.



**Figure 6.36 Firmware Update Operation Utilizing Dual Bank Function**

On devices with flash ROM that does not support the dual bank function, the flash ROM area is divided into two sections, a main area and buffer area, and a partial updating method is used to apply the firmware update.





**Figure 6.37 Firmware Update Operation Utilizing Partial Updating Method**

The key\_block\_data located in the data flash is used to manage the MAC values used for status management and validity verification as well as the keys used for decryption. As data management for key injection or countermeasures in case of power interruption while an update is in progress, two copies of the same data are maintained in a main area and mirror area in the data flash.

Table 6-9 key\_block\_data Structure

| Name                         | Type                 | Description                                                                                              |
|------------------------------|----------------------|----------------------------------------------------------------------------------------------------------|
| st_key_block_data_t          | —                    | Key data structure located in C_FIRMWARE_UPDATE_CONTROL_BLOCK and C_FIRMWARE_UPDATE_CONTROL_BLOCK_MIRROR |
| firmware_update_control_data | —                    | Structure for storing MAC information during firmware update                                             |
| user_program_max_cnt         | uint32_t             | Byte size of firmware update                                                                             |
| state                        | uint32_t             | See <b>Table 6-10</b>                                                                                    |
| program_mac0[]               | uint32_t             | MAC value of buffer area                                                                                 |
| program_mac1[]               | uint32_t             | MAC value of main area                                                                                   |
| key_data                     | —                    | Key data storage structure                                                                               |
| user_aes128_key_index        | tsip_aes_key_index_t | Key index used to decrypt encrypted user program                                                         |
| hash_sha1[]                  | uint8_t              | SHA1 hash value of firmware_update_control_data and key_data                                             |

Table 6-10 Description of state

| Status               | Description                                                          |
|----------------------|----------------------------------------------------------------------|
| STATE_INJECT_KEY     | Inject Key Encryption Key                                            |
| STATE_GET_IMAGE      | Receive and decrypt user program<br>Write user program to code flash |
| STATE_ACTIVATE_IMAGE | Activate user program                                                |
| STATE_EXEC_IMAGE     | Verify and execute user program                                      |

6.2.2.1 Secure Bootloader project

The secure bootloader project performs key injection used to decrypt the user program and verifies the user program. It also contains program code to install the initial user program (the firmware update program in the case of this sample project).

A flowchart of the secure bootloader project is shown below.

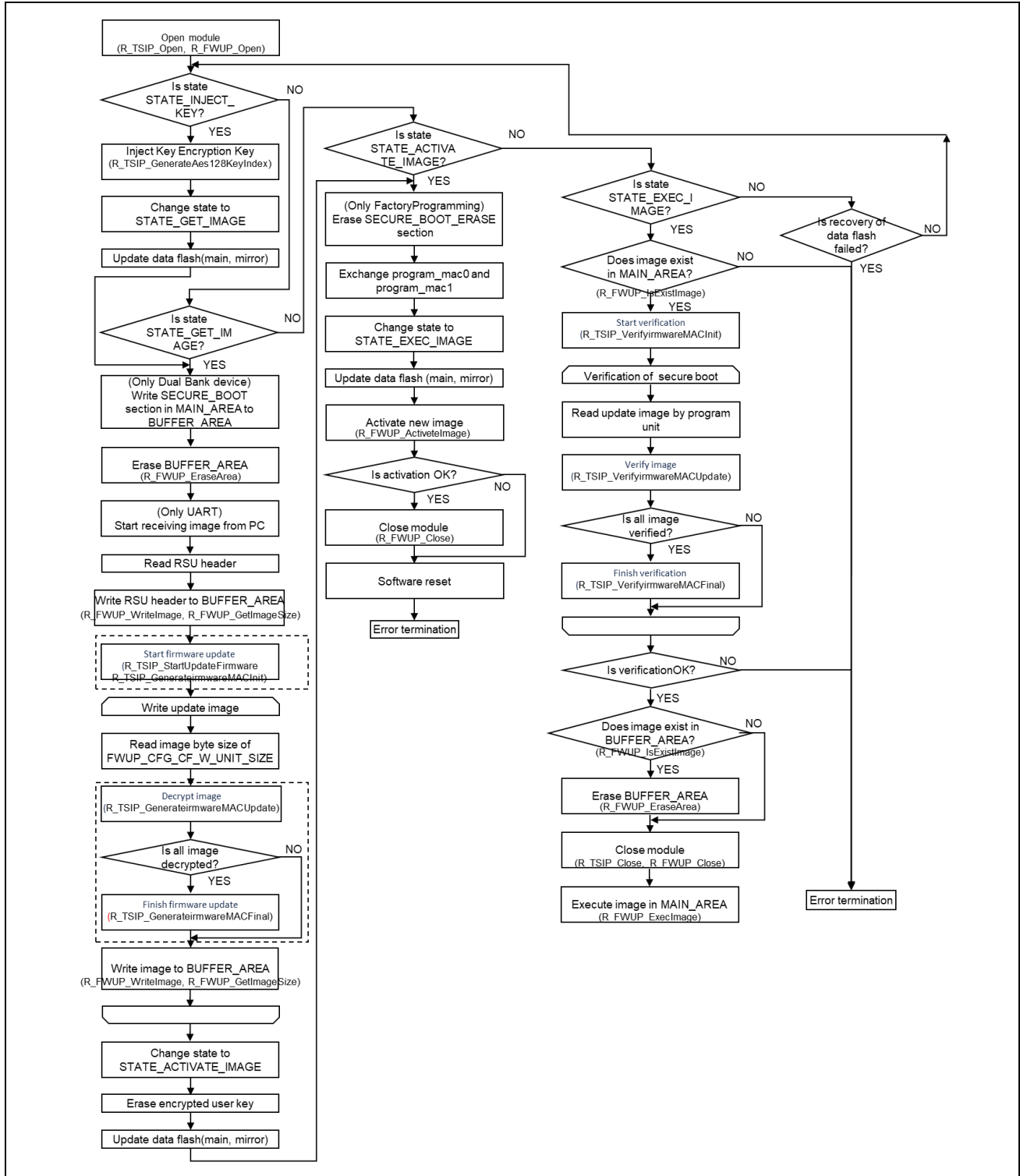


Figure 6.38 The flow of Secure Bootloader

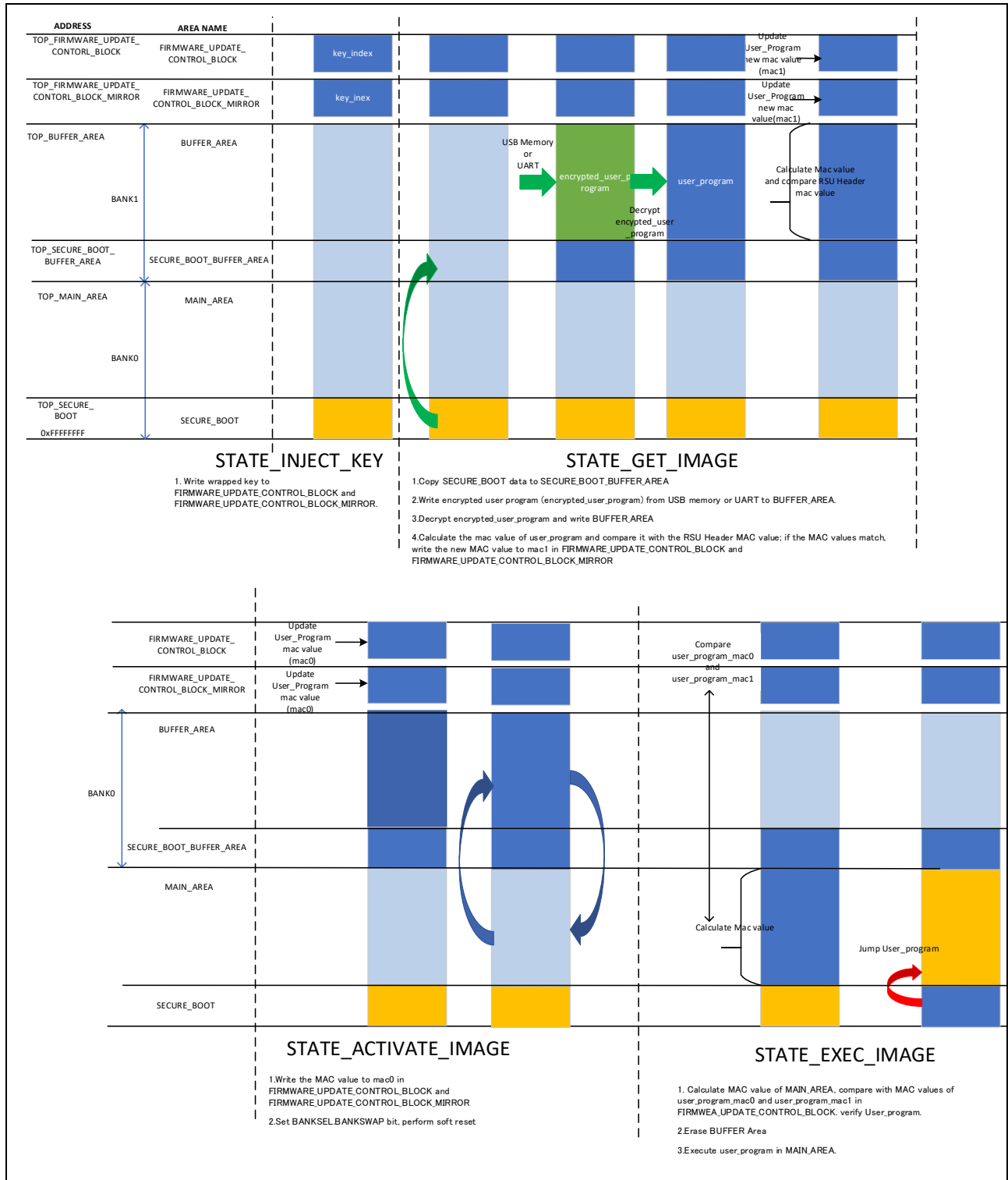


Figure 6.39 Secure Bootloader On-Chip Flash Memory Status in Each state (Device with Dual Bank Support)

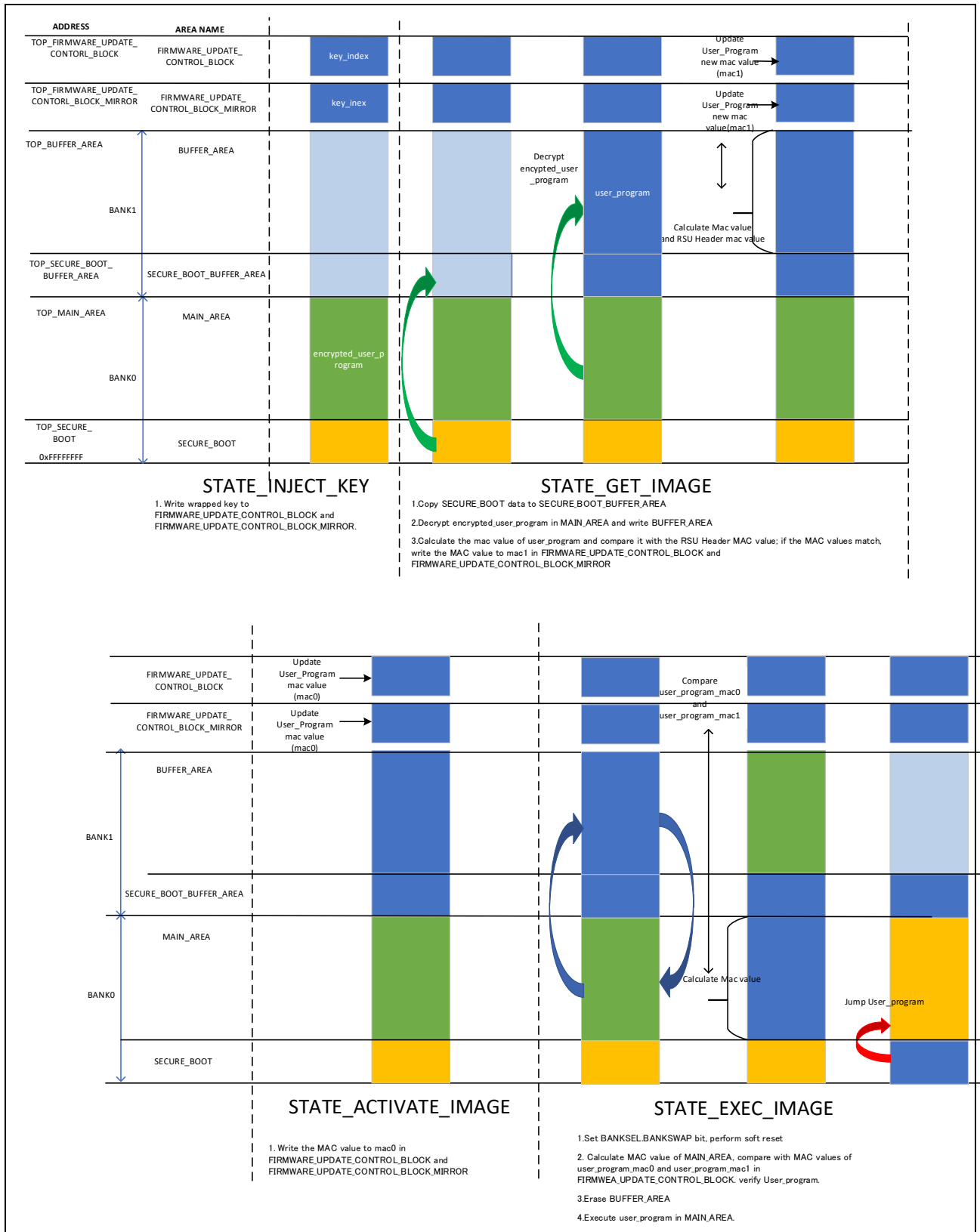


Figure 6.40 Secure Bootloader On-Chip Flash Memory Status in Each state (Factory Programming of Device with Dual Bank Support)

**Table 6-11 Addresses of Areas Set in Secure Bootloader Project (Device with Dual Bank Support)**

|                                                      | <b>RX26T</b> | <b>RX65N</b> | <b>RX671</b> | <b>RX72M,RX72N</b> |
|------------------------------------------------------|--------------|--------------|--------------|--------------------|
| TOP_FIRMWARE_UPD<br>ATE_<br>CONTORL_BLOCK            | 0x00100000   | 0x00100000   | 0x00100000   | 0x00100000         |
| TOP_FIRMWARE_UPD<br>ATE_<br>CONTORL_BLOCK_MIR<br>ROR | 0x00102000   | 0x00104000   | 0x00101000   | 0x00104000         |
| TOP_BUFFER_AREA                                      | 0xFFF80000   | 0xFFE00000   | 0xFFE00000   | 0xFFC00000         |
| TOP_SECURE_BOOT_<br>BUFFER_AREA                      | 0xFFFB0000   | 0xFFEF0000   | 0xFFEF0000   | 0xFFDF0000         |
| TOP_MAIN_AREA                                        | 0xFFFC0000   | 0xFFF00000   | 0xFFF00000   | 0xFFE00000         |
| TOP_SECURE_<br>BOOT_AREA                             | 0xFFFF0000   | 0xFFFF0000   | 0xFFFF0000   | 0xFFFF0000         |

The secure bootloader project places the key injection APIs and the modules for USB operation in the SECURE\_BOOT\_ERASE section to delete after using. For this reason, these source codes are built to library files which are allocated to the specified section before linking other part of the project.

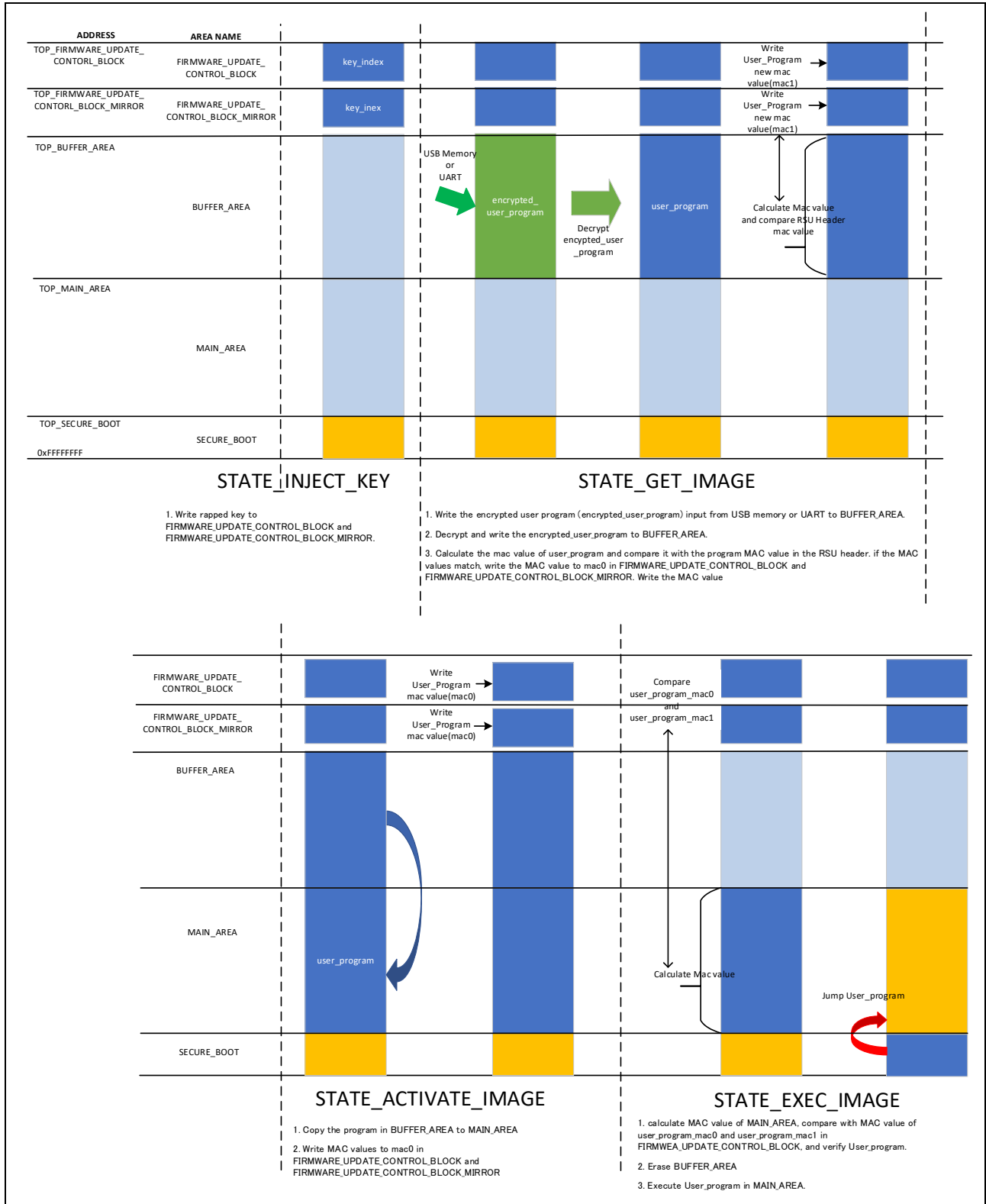


Figure 6.41 Secure bootloader Internal Flash memory status for each state (Device without Dual Bank Support)

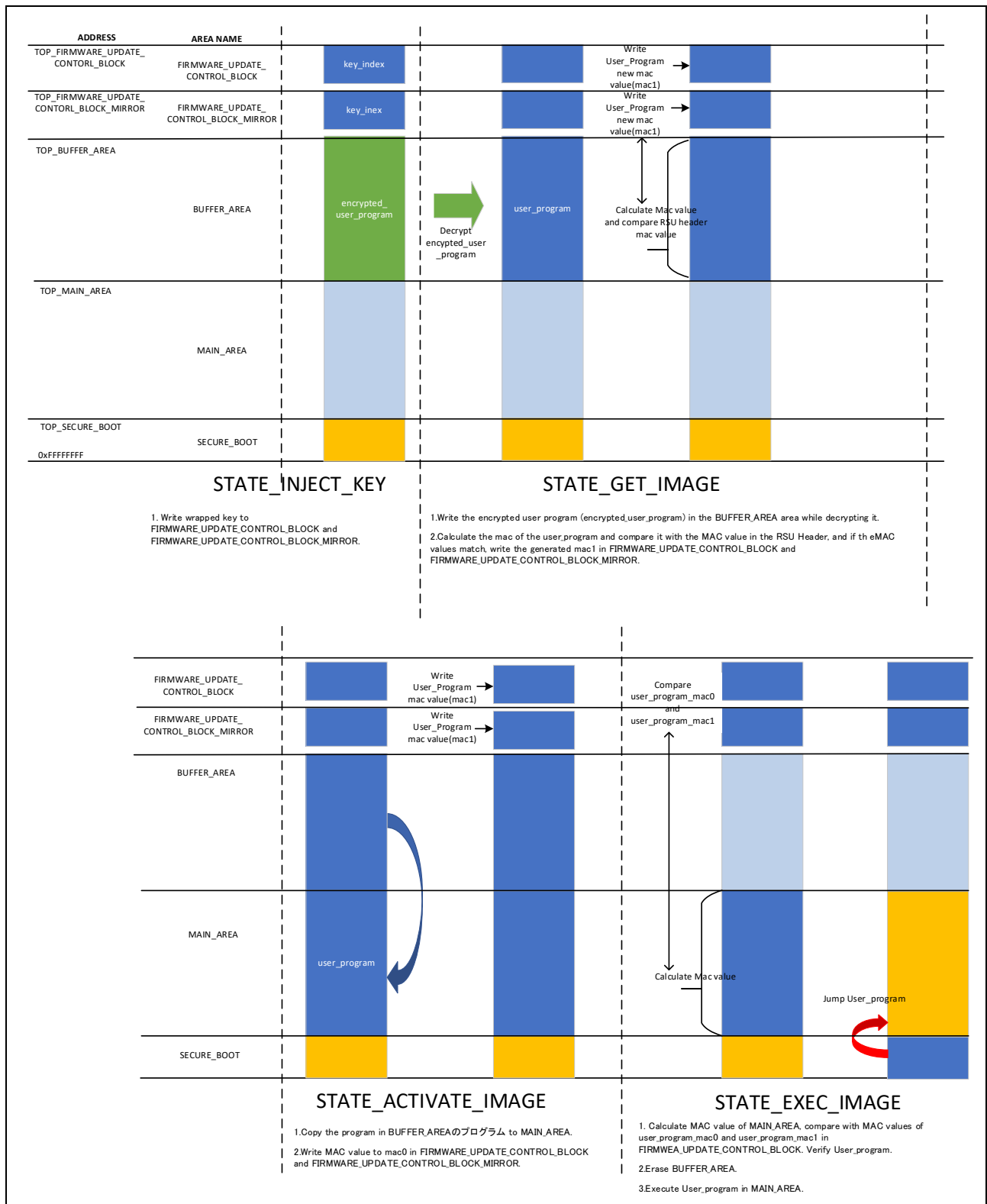


Figure 6.42 Secure bootloader Internal Flash memory status for each state (Factory Programming of Device with Dual Bank Support)



**Table 6-12 Addresses of Areas Set in Secure Bootloader Project (Device without Dual Bank Support)**

|                                              | <b>RX231</b> | <b>RX66T</b> | <b>RX72T</b> |
|----------------------------------------------|--------------|--------------|--------------|
| TOP_FIRMWARE_UPDATE_<br>CONTORL_BLOCK        | 0x00100000   | 0x00100000   | 0x00100000   |
| TOP_FIRMWARE_UPDATE_<br>CONTORL_BLOCK_MIRROR | 0x00101000   | 0x00104000   | 0x00104000   |
| TOP_BUFFER_AREA                              | 0xFFFF80000  | 0xFFFF80000  | 0xFFFF00000  |
| TOP_MAIN_AREA                                | 0xFFFFB8000  | 0xFFFFB8000  | 0xFFFF78000  |
| TOP_SECURE_BOOT_AREA                         | 0xFFFFF0000  | 0xFFFFF0000  | 0xFFFFF0000  |

The secure bootloader project places modules described in the SECURE\_BOOT section. For this reason, changes have been made to the source code of each FIT module.

6.2.2.2 Firmware Update Project

The firmware update project decrypts and verifies the user program. A flowchart of the firmware update project after receiving the update command is shown below.

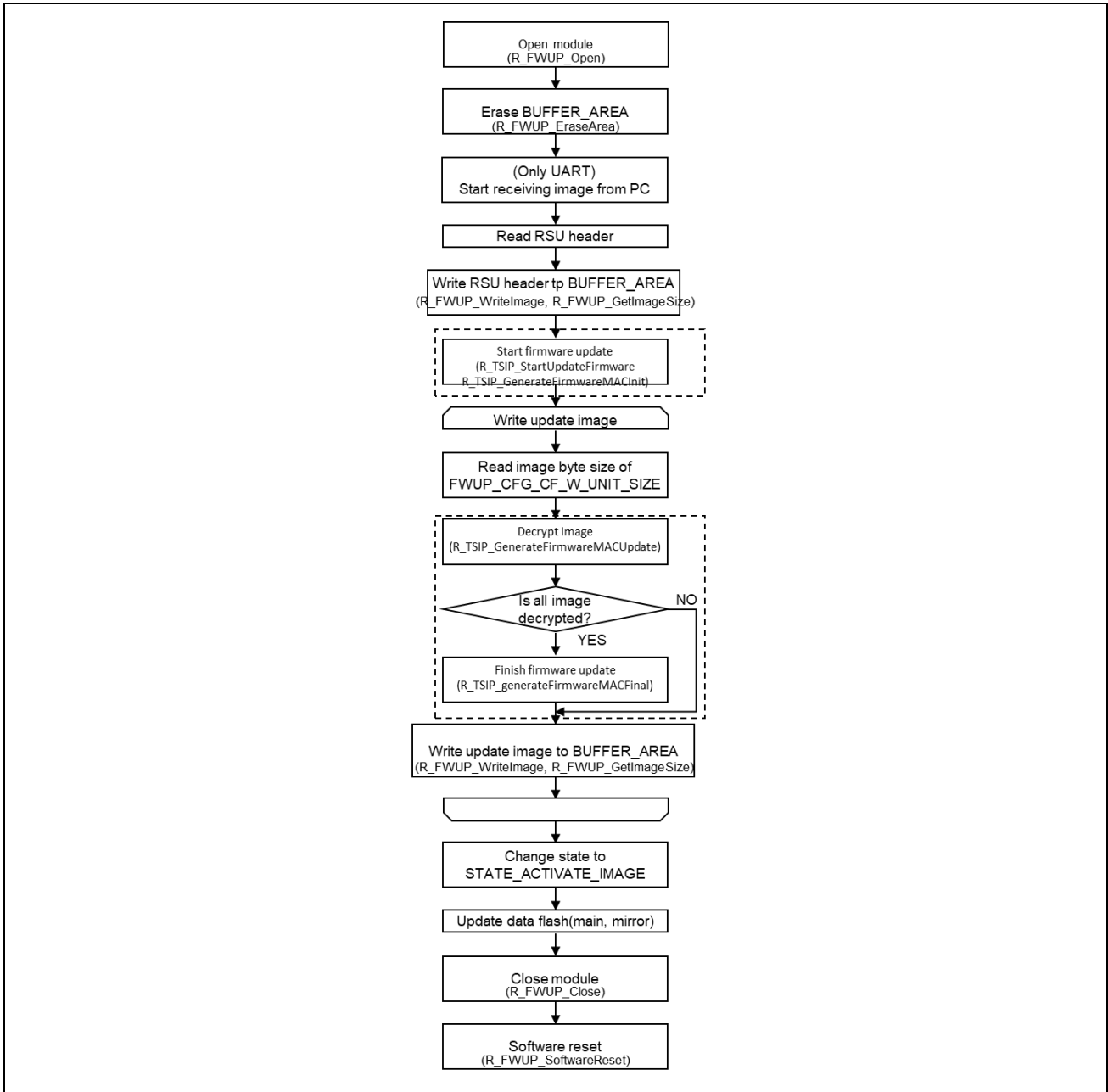


Figure 6.43 Firmware Update Flowchart



The screenshot shows the 'Wrap Key Tab' of a software interface. At the top, there are two tabs: 'Key Type' and 'Key Data'. The 'Key Type' tab is active, showing several radio button options: DLM/AL, KUK, and OEM Root public. To the right of these are several configuration options: a dropdown menu set to 'DLM-SSD', a selected radio button for 'AES' with a '128 bits' dropdown, and radio buttons for 'ARC4', 'RSA' (with '2048 bits, public' dropdown), 'ECC' (with 'secp256r1, public' dropdown), and 'HMAC' (with 'SHA256-HMAC' dropdown). Below this is the 'Wrapping Key' section with three radio button options: 'UFPK' (selected), 'W-UFPK', and 'KUK'. Each has a corresponding text field for a file path and a 'Browse...' button. The 'UFPK' field contains the path '{\${skmt\_loc}¥key¥sample.key'. Below that is the 'IV' section with two radio button options: 'Generate random value' (selected) and 'Use specified value (16 hex bytes, big endian format)'. The latter has a text field containing the hex string '00112233445566778899AABBCCDDEEFF'. The 'Output' section has a 'Format' dropdown set to 'C Source', a 'File' field with the path '{\${skmt\_loc}¥src¥genkey¥euk\_aes128.c', and an 'Address' field set to '10000'. A 'Key name' field contains 'euk\_aes128'. A large 'Generate file' button is at the bottom.

Figure 6.44 Generating a Key Data File (Wrap Key Tab)

The screenshot shows the 'Key Data Tab' of the software interface. It has two tabs: 'Key Type' and 'Key Data'. The 'Key Data' tab is active. There are three radio button options: 'File', 'Raw' (selected), and 'Random - Output File'. Each option has a corresponding text field and a 'Browse...' button. The 'Raw' option's text field contains the hex string '0123456789abcdef0123456789abcdef'.

Figure 6.45 Generating a Key Data File (Wrap Key Tab – Key Data Tab)

## (2) Building the Secure Bootloader Project

After importing the secure bootloader project (rxXXX\_bbb\_tsip\_secure\_boot) into the e<sup>2</sup> studio workspace, place `euk_aes128.c` and `euk_aes128.h` generated in step (1) in the `src` folder of the rxXXX\_bbb\_tsip\_secure\_boot project.

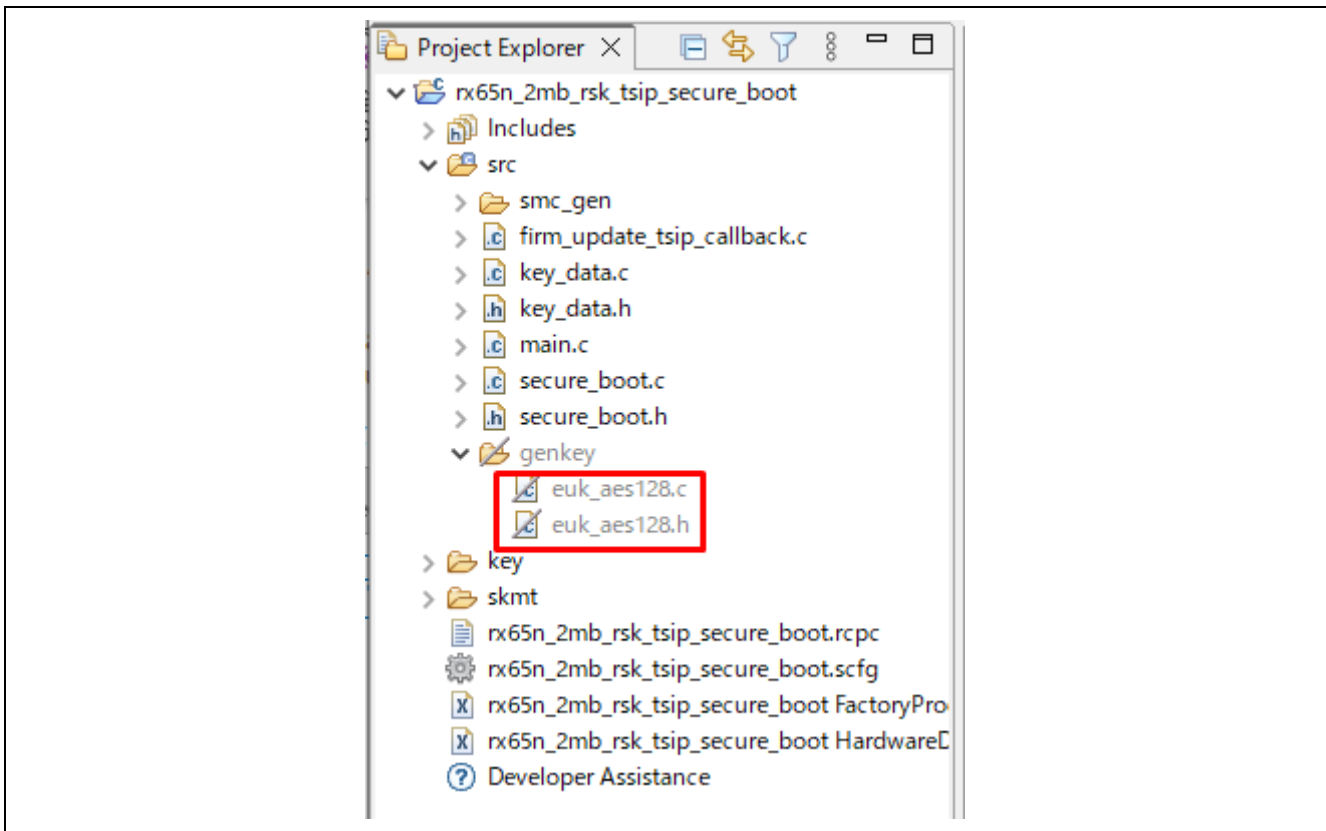


Figure 6.46 e<sup>2</sup> studio Project Explorer

Before building the secure boot project, build libraries to use in the project. Select "Library Key Injection" and "Library USB Memory" from the pull-down menu.

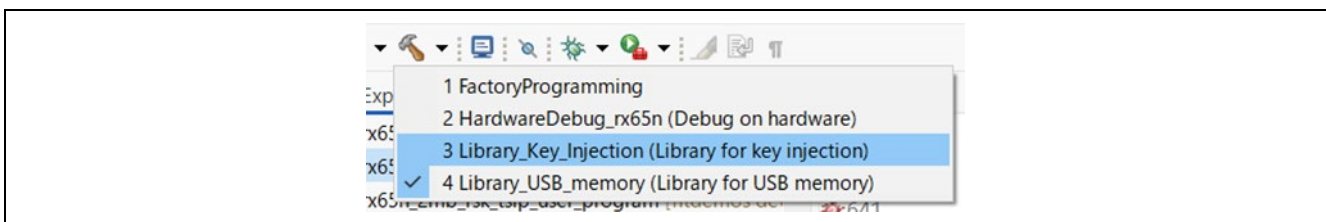


Figure 6.47 Building library files

Also, set the macro definitions to adjust the interface to send program to the device. These can be set from "C/C++ Build" > "Settings" > "Tool Settings" > "Compiler" > "Source" in the project properties menu.

To use USB flash drive with the supported board, set "ENABLE\_USB=1".

To use UART, set "ENABLE\_USB=0".

To use 1 area update function, set "UPDATE\_1AREA=1". In addition, change `BSP_CFG_UART_TERMINAL_CHANNEL` and `BSP_CFG_SCI_UART_TERMINAL_BITRATE` values in `r_bsp_config.h` to the serial port number

After making the changes, build the project in e<sup>2</sup> studio.

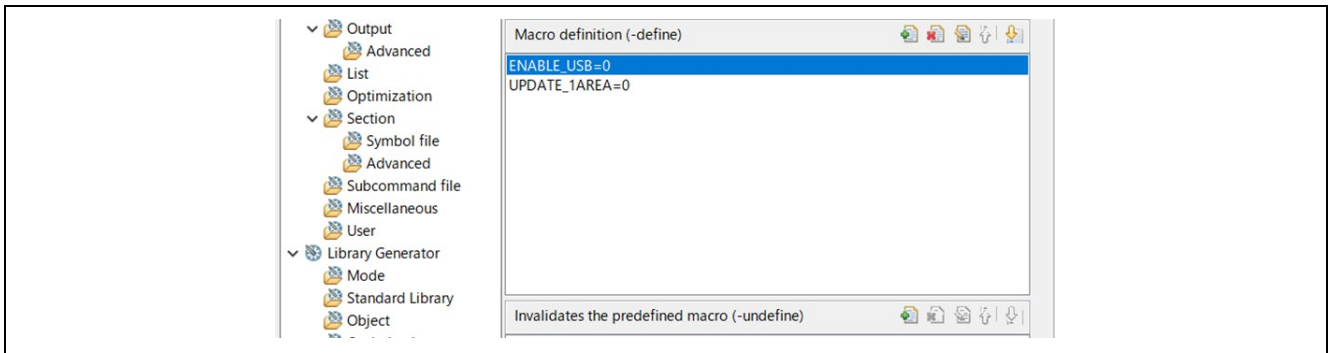


Figure 6.48 Setting macro definitions

### (3) Building the Firmware Update Project

After importing the firmware update project (rxXXX\_bbb\_tsip\_user\_program) into the e<sup>2</sup> studio workspace, as in step (2), set Macro definitions. After making the changes, build the project in e<sup>2</sup> studio.

### (4) Encrypting the Firmware Update Program

- Command line version

When to use RSU header Ver.2, run the following command.

```
> skmt.exe /enctsip /mode "update" /ver "2" /prg
 "${skmt_loc}\..\rx65n_2mb_rsk_tsip_user_program\Release_rx65n\rx65n_2mb_rsk_tsip_user
 _program.mot" /enckey "0123456789ABCDEF0123456789ABCDEF" /session_key
 "FEDCBA9876543210FEDCBA98765432100123456789ABCDEF0123456789ABCDEF"
 /iv_fw "55AA55AA55AA55AA55AA55AA55AA55AA" /startaddr "FFF00300" /endaddr
 "FFFFFFF" /filetype "bin" /flash_wsize 128 /output "${skmt_loc}\userprog.rsu"
```

When to use RSU header Ver.1, run the following command.

```
> skmt.exe /enctsip /mode "update" /ver "1" /prg
 "${skmt_loc}\..\rx65n_2mb_rsk_tsip_user_program\Release_rx65n\rx65n_2mb_rsk_ts
 ip_user_program.mot"
 /enckey "0123456789abcdef0123456789abcdef"
 /startaddr "FFE00300" /endaddr "FFFFFFF" /imgflg "testing" /filetype "bin"
 /flash_wsize 128 /output ""${skmt_loc}\userprog.rsu"
```

For {skmt\_loc}, substitute the path of the secure bootloader project folder.

The settings values of /startaddr and /endaddr differ depending on the MCU. Refer to the table below and enter the appropriate values.

**Table 6-13 Selections for Each MCU**

| MCU   | Parameter     |            | Address  |
|-------|---------------|------------|----------|
|       | GUI           | CLI        |          |
| RX231 | Start address | /startaddr | FFFB8300 |
| RX66T | End address   | /endaddr   | FFFEFFFF |
| RX72T | Start address | /startaddr | FFF78300 |
|       | End address   | /endaddr   | FFFEFFFF |
| RX26T | Start address | /startaddr | FFFC0300 |
|       | End address   | /endaddr   | FFFEFFFF |
| RX65N | Start address | /startaddr | FFF00300 |
| RX671 | End address   | /endaddr   | FFFEFFFF |
| RX72M | Start address | /startaddr | FFE00300 |
| RX72N | End address   | /endaddr   | FFFEFFFF |

- Standalone version
  - Enter the following values.
    - **Output Image**  
Select **Secure Update**.
    - **Firmware Image**  
MOT file output by update project (rxXXX\_bbb\_tsip\_user\_program.mot)
    - **Encrypted Address Range** tab  
The values differ depending on the MCU. Refer to Table 6.13 and select the appropriate values to match the MCU.
    - **IV** tab  
Select **Use specified value** and enter “55aa55aa55aa55aa55aa55aa55aa55aa”.
    - **RSU Header** tab  
When 1 area update is not used, set below setting  
RSU header Ver: 2  
When 1 area update is used, set below setting  
Image Flag: TESTING  
RSU header Ver: 1
    - **Output**  
Format: Binary  
File: userprog.rsu

To use the above settings, you can load the Security Key Management Tool settings file rxXXX\_SecureUpdate.skmt included in the sample.

The file rxXXX\_SecureUpdate.skmt is in xml format and can be edited as text. For **{\$skmt\_loc}** in rxXXX\_SecureUpdate.skmt, substitute the path of the secure bootloader project folder.

The screenshot shows the 'TSIP UPDATE Tab' interface. At the top, there are three input fields: 'Output Image' with a dropdown menu set to 'Secure Update', 'Firmware Image' with a text box containing a file path and a 'Browse...' button, and 'Secure Boot Image' with an empty text box and a 'Browse...' button. Below these is a tabbed interface with four tabs: 'Encryption address range', 'Image Encryption Key', 'IV', and 'RSU header'. The 'Encryption address range' tab is active, showing 'start address' (FFF00300), 'end address' (FFFEFFFF), and 'Encrypted image output address' (empty). Below the tabs is an 'Output' section with a 'Format' dropdown set to 'Binary' and a 'File' text box with a file path and a 'Browse...' button. At the bottom is a large 'Generate file' button.

Figure 6.49 Generating an Encrypted File (TSIP UPDATE Tab)

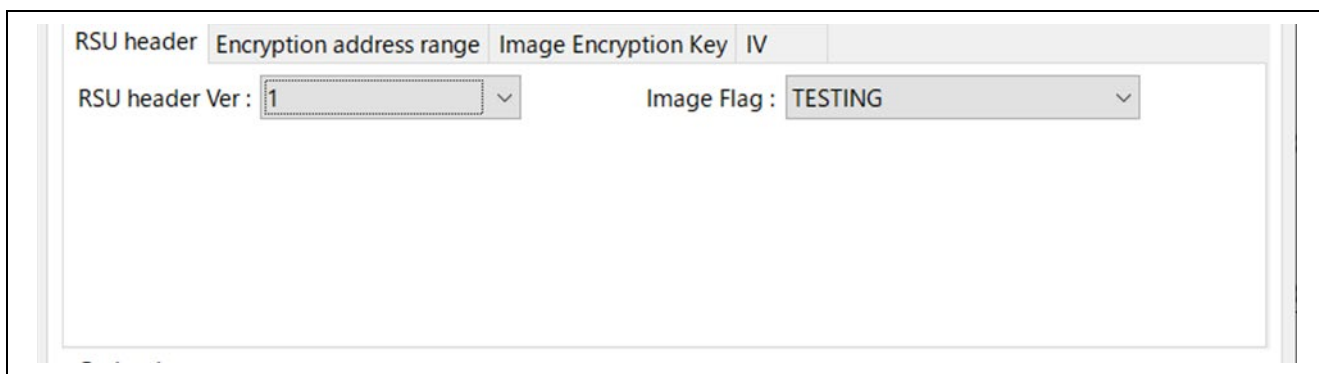
The screenshot shows the 'Image Encryption Key' tab of the interface. It features a 'Key Encryption Key' text box containing the hexadecimal string '0123456789abcdef0123456789abcdef'. Below this is the 'Image Encryption Key' section, which has two radio button options: 'Generate random value' (which is selected) and 'Use specified value (32 hex bytes, big endian format)' (with an empty text box next to it).

Figure 6.50 Generating an Encrypted File (TSIP UPDATE Tab – Image Encryption Key Tab)

The screenshot shows the 'IV' tab of the interface. It features two radio button options: 'Generate random value' (which is selected) and 'Use specified value (16 hex bytes, big endian format)' (with an empty text box next to it).

Figure 6.51 Generating an Encrypted File (TSIP UPDATE Tab – IV Tab)





**Figure 6.52 Generating an Encrypted File (TSIP UPDATE Tab – RSU Header Tab)**

Use the generated file (default file name: userprog.rsu) as shown below.

- When using UART, send the file with Tera Term.
- When using USB flash drive, store the file into the USB memory and attach it to the board.

### (5) Starting the Terminal Emulator (Tera Term)

Make connections as shown in the applicable connection diagram in 6.2.1, Demo Project Setup, then launch Tera Term. Refer to Table 6-6, Tera Term serial settings or Table 6-7, Tera Term settings (1 area update) to make serial setting.

### (6) Running the Secure Bootloader Project

Select `rxXXX_bbb_tsip_secure_boot` in e<sup>2</sup> studio's Project Explorer, then click the  button to execute the Secure Bootloader project.

If the on-chip flash memory of the board to be used has not been completely erased, the project will not run properly. Use the **Erase Chip** option in Renesas Flash Programmer to completely erase the flash memory.

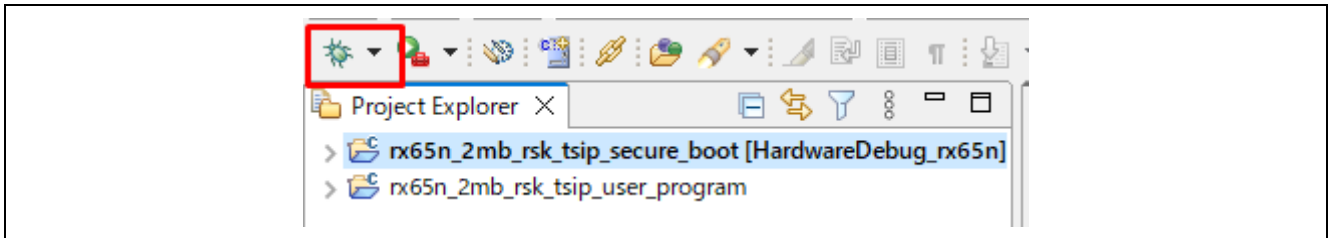


Figure 6.53 Running the Secure Bootloader Project (RSK RX65N)

## (7) Installing the Initial User Program

When the secure bootloader project is run, the encrypted user program is decrypted, and then the user program is executed.

If this works correctly, similar to the following is displayed in Tera Term.

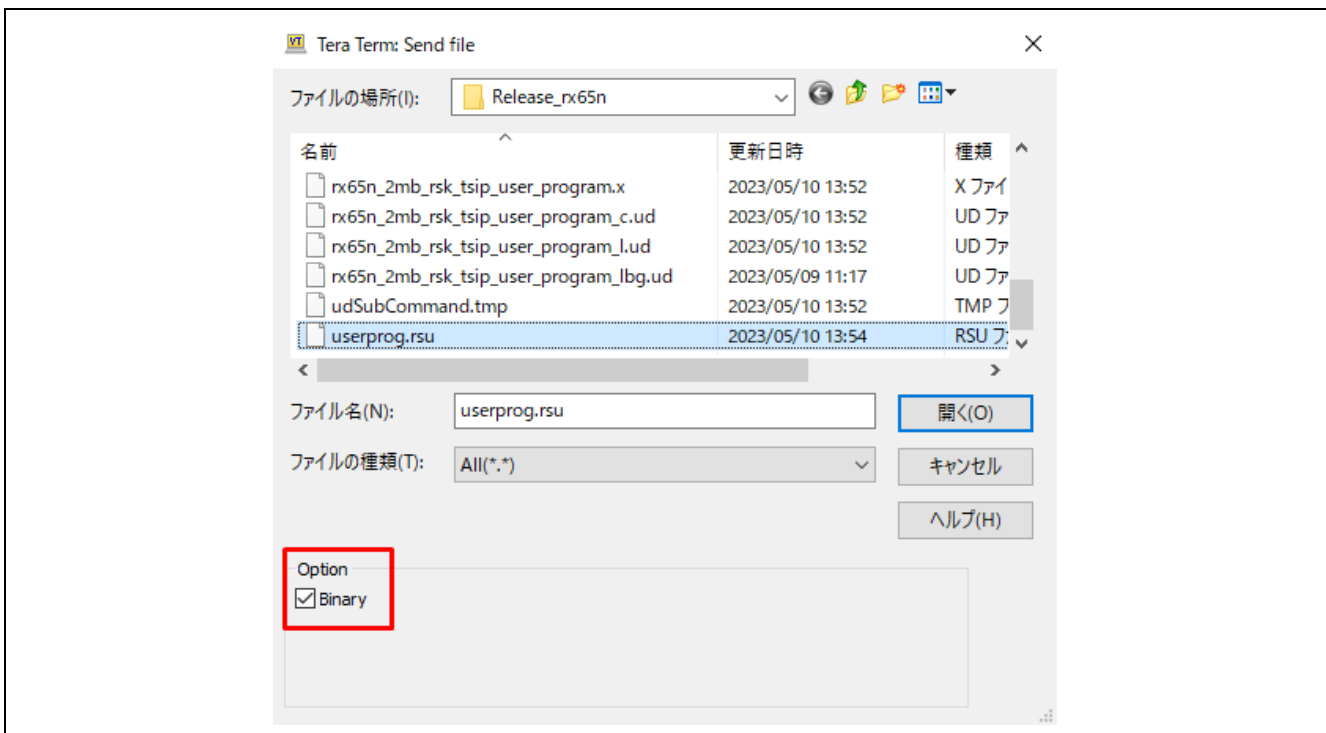
```
HELLO!! this is boot program. ~
$ I was built in Mar 31 2025, 14:54:11.
bank info = 1. (start bank = 0)
Checking flash ROM status.
status = STATE_INJECT_KEY
===== generate user key index phase =====
generate aes128 user program mac key index: OK
===== install user key index phase =====
erase data flash(main)...OK
write data flash(main)...OK
erase data flash(mirror)...OK
write data flash(mirror)...OK
data flash setting OK.
bank info = 1. (start bank = 0)
Checking flash ROM status.
status = STATE_GET_IMAGE
Copy Secure Boot...OK

==== Image updater [dual bank] ====
Erase buffer area...OK
send image(*.rsu) via UART.
```

**Figure 6.54** Log Output of Secure Bootloader up to Wait for Initial User Program Installation (RSK RX65N)

When using USB flash drive, attach USB memory to the board.

When using UART, in Tera Term, select **File > Send file...** and specify the firmware update program (**userprog.rsu** in the sample) that was encrypted in step (3). Then check the box for **Binary** under **Option** and click the **Open** button.



**Figure 6.55** Tera Term: Send file Dialog Box

If the initial user program is successfully programmed to the flash memory, output similar to the following is displayed in Tera Term.

```

W 0xFFE00000, 128 ... OK
W 0xFFE00080, 128 ... OK
W 0xFFE00100, 128 ... OK
W 0xFFE00180, 128 ... OK
W 0xFFE00200, 128 ... OK
W 0xFFE00280, 128 ... OK
transit TSIP status to UpdateFirmware: OK
extract update file parameters: OK
decrypt program:
W 0xFFE00300, 128 ... OK
W 0xFFE00380, 128 ... OK
W 0xFFE00400, 128 ... OK

...

W 0xFFE16280, 128 ... OK
W 0xFFE16300, 128 ... OK
W 0xFFE16380, 128 ... OK
erase data flash(main)...OK
write data flash(main)...OK
erase data flash(mirror)...OK
write data flash(mirror)...OK
data flash setting OK.
bank info = 1. (start bank = 0)
Checking flash ROM status.
status = STATE_ACTIVATE_IMAGE
update data flash
erase data flash(main)...OK
write data flash(main)...OK
erase data flash(mirror)...OK
write data flash(mirror)...OK
data flash setting OK.
activating image ... OK
software reset...
HELLO!! this is boot program. ~
$ I was built in Mar 31 2025, 14:54:11.
bank info = 0. (start bank = 1)
Checking flash ROM status.
status = STATE_EXEC_IMAGE

==== BootLoader [dual bank] ====
secure boot sequence: success.
execute image ...
HELLO!! this is user program. ~
$ I was built in Mar 31 2025, 14:12:25.
Version ver 1.00.
tsip@rx65n
$

```

Figure 6.56 Installation Log Message Output for Secure Bootloader Initial Firmware (RSK RX65N)

### (8) Firmware Update Operation

Next, change some of the source code of the user program project and update the firmware. Change the version number in the user program main.c of the user program project from **ver 1.00** to **ver 1.01**. After building the project and generating a MOT file as described in step (3), encrypt it as described in step (4).

```

/* Command prompt related */
#define PROMPT ("tsip@rx65n\r\n$ ")
#define VERSION ("ver 1.01")
#define HELLO_MESSAGE ("HELLO!! this is user program. ~\r\n$ ")

```

Figure 6.57 Modified Location in main.c (rx65n\_2mb\_rsk\_tsip\_user\_program)

Execute the **update** command. Install the user program that has been updated to Ver 1.01 as described in step (7). After the upload finishes, the system reboots.

```
HELLO!! this is boot program. ~
$ I was built in Mar 31 2025, 16:24:24.
bank info = 1. (start bank = 0)
Checking flash ROM status.
status = STATE_INJECT_KEY
===== generate user key index phase =====
generate aes128 user program mac key index: OK
===== install user key index phase =====
erase data flash(main)...OK
write data flash(main)...OK
erase data flash(mirror)...OK
write data flash(mirror)...OK
data flash setting OK.
bank info = 1. (start bank = 0)
Checking flash ROM status.
status = STATE_GET_IMAGE
Copy Secure Boot...OK

==== Image updater [dual bank] ====
Erase buffer area...OK
send image(*.rsu) via UART.

...

W 0xFFE0D780, 128 ... OK
W 0xFFE0D800, 128 ... OK
W 0xFFE0D880, 128 ... OK
erase data flash(main)...OK
write data flash(main)...OK
erase data flash(mirror)...OK
write data flash(mirror)...OK
data flash setting OK.
bank info = 1. (start bank = 0)
Checking flash ROM status.
status = STATE_ACTIVATE_IMAGE
update data flash
erase data flash(main)...OK
write data flash(main)...OK
erase data flash(mirror)...OK
write data flash(mirror)...OK
data flash setting OK.
activating image ... OK
software reset...
HELLO!! this is boot program. ~
$ I was built in Mar 31 2025, 16:24:24.
bank info = 0. (start bank = 1)
Checking flash ROM status.
status = STATE_EXEC_IMAGE

==== BootLoader [dual bank] ====
secure boot sequence: success.
execute image ...
HELLO!! this is user program. ~
$ I was built in Mar 31 2025, 15:05:48.
Version ver 1.01.
tsip@rx65n
$
install start ...

==== Update from User [dual bank] ver 1.0.0 ====
Erase buffer area...OK
send image(*.rsu) via UART.
```

Figure 6.58 Firmware Update Log Message Output (RSK RX65N)

## 6.2.4 Execution Example of Factory Programming Using Motorola S Format File Containing Secure Bootloader and Encrypted User Program

This section describes how to create a Motorola S format file containing a secure bootloader and encrypted user program and how to program it to a device using Renesas Flash Programmer (factory programming).

### (1) Generating an Encryption Key File for the Firmware Update

Generate a key file to encrypt the image. The procedure is same to 6.2.3, Secure Bootloader and Firmware Update Execution Example.

### (2) Building the Secure Bootloader Project

After importing the secure bootloader project (rxXXX\_bbb\_tsip\_secure\_boot) into the e<sup>2</sup> studio workspace, place euk\_aes128.c and euk\_aes128.h generated in step (1) in the src folder of the rxXXX\_bbb\_tsip\_secure\_boot project.

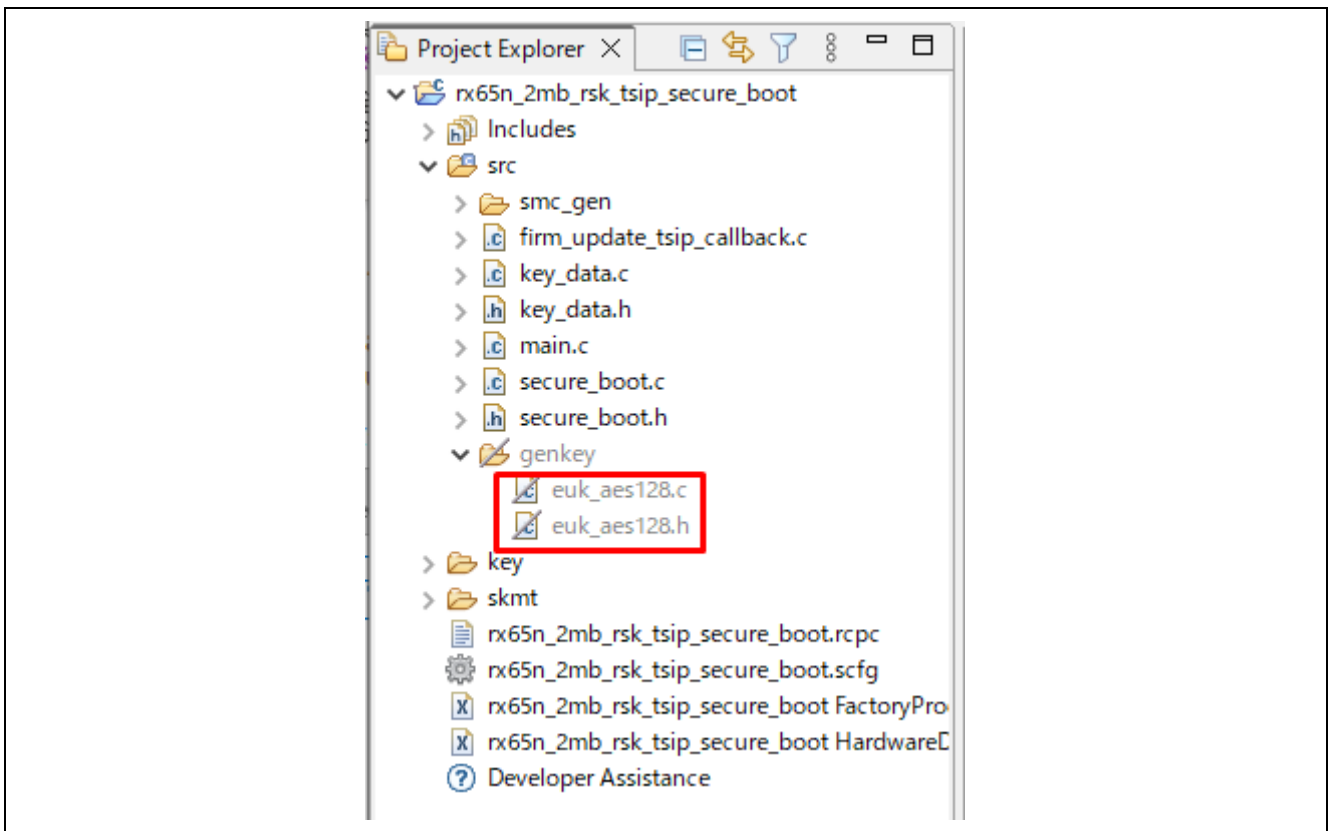
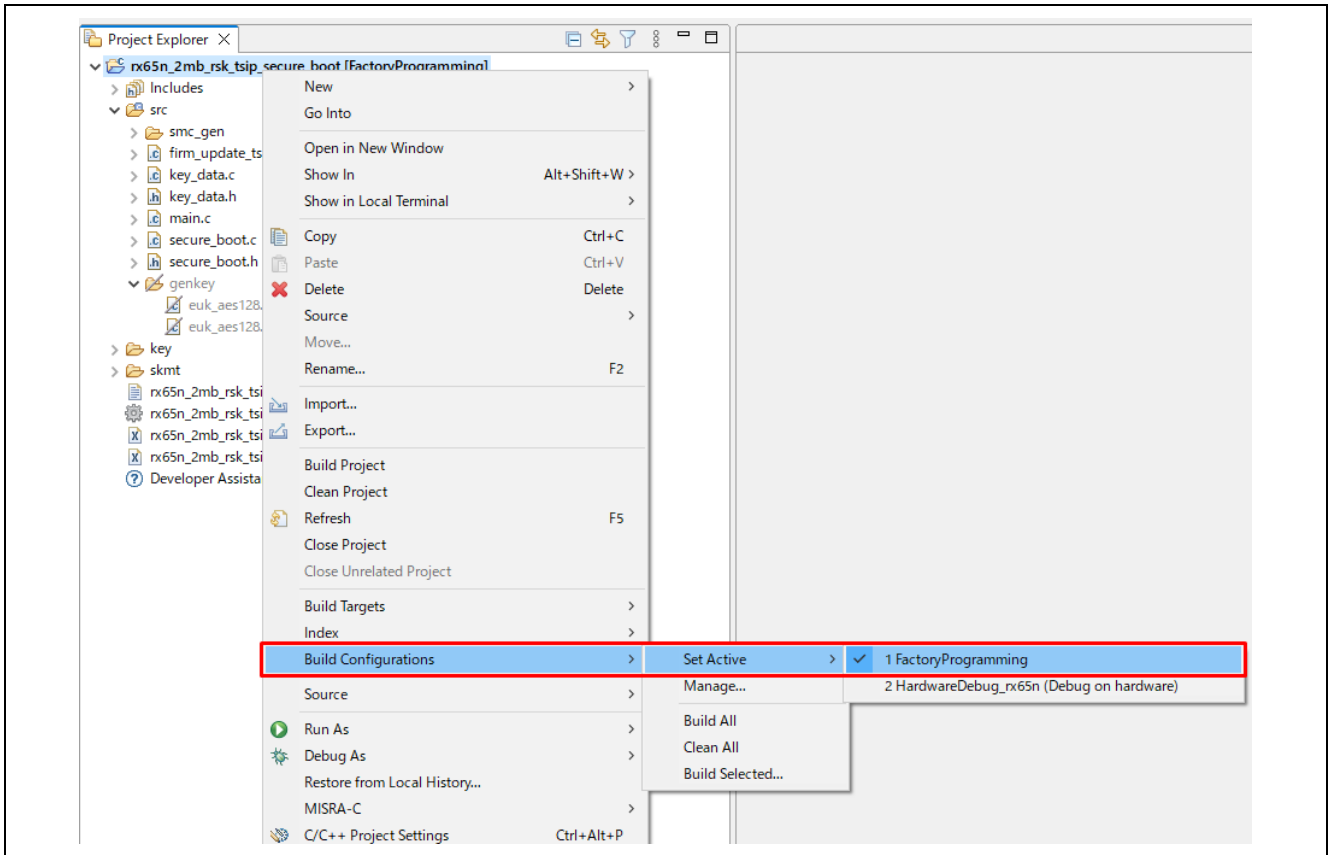


Figure 6.59 e<sup>2</sup> studio Project Explorer

Next, change the setting of **Build Configuration** to **Factory Programming**.

In e<sup>2</sup> studio's Project Explorer, right-click the secure update project and on the menu that appears select **Build Configuration > Activate > Factory Programming**.



**Figure 6.60 Changing Build Configuration to Factory Programming**

After changing the **Build Configuration** setting to **Factory Programming**, build the secure bootloader project.

A definition of the build macro `FACTORY_PROGRAMMING` has been added from **Build Configuration: HardwareDebug**. Also, the section information is different.

### (3) Building the Firmware Update Project

Build the project with the same operation of 6.2.3, Secure Bootloader and Firmware Update Execution Example.

**(4) Encrypting the Firmware Update Program**

- Command line version

When to use RSU header Ver.2, run the following command.

```
> skmt.exe /enctsip /mode "factory" /ver "2" /prg
 ""{$skmt_loc}\..\rx65n_2mb_rsk_tsip_user_program\Release_rx65n\rx65n_2mb_rsk_tsip_user
 _program.mot"
 /prg_sb ""{$skmt_loc}\FactoryProgramming\rx65n_2mb_rsk_tsip_secure_boot.mot" /enckey
 "0123456789ABCDEF0123456789ABCDEF" /session_key
 "FEDCBA9876543210FEDCBA98765432100123456789ABCDEF0123456789ABCDEF"
 /iv_fw "55AA55AA55AA55AA55AA55AA55AA55AA55AA" /startaddr "FFF00300" /endaddr
 "FFFEFFFF" /filetype "mot" /flash_wsize 128 /output ""{$skmt_loc}\userprog.mot"
```

When to use RSU header Ver.1, run the following command.

```
> skmt.exe /enctsip /mode "factory" /ver "1" /prg
 ""{$skmt_loc}\..\rx65n_2mb_rsk_tsip_user_program\Release_rx65n\rx65n_2mb_rsk_tsip
 _user_program.mot"
 /prg_sb ""{$skmt_loc}\FactoryProgramming\rx65n_2mb_rsk_tsip_secure_boot.mot "
 /enckey "0123456789abcdef0123456789abcdef"
 /startaddr "FFE00300" /endaddr "FFFEFFFF" /destaddr "FFE00300"
 /imgflg "valid" /filetype "mot" /flash_wsize 128
 /output ""{$skmt_loc}\userprog.mot"
```

For {\$skmt\_loc}, substitute the path of the secure bootloader project folder.

The setting values of /startaddr, /endaddr, and /destaddr differ depending on the MCU. Refer to the table below when entering values.

**Table 6-14 Selections for Each MCU**

| MCU            | Parameter                      |            | Address  |
|----------------|--------------------------------|------------|----------|
|                | GUI                            | CLI        |          |
| RX231          | Start address                  | /startaddr | FFFB8300 |
| RX66T          | End address                    | /endaddr   | FFFEFFFF |
|                | Encrypted image output address | /destaddr  | FFFB8300 |
| RX72T          | Start address                  | /startaddr | FFF78300 |
|                | End address                    | /endaddr   | FFFEFFFF |
|                | Encrypted image output address | /destaddr  | FFF78300 |
| RX26T          | Start address                  | /startaddr | FFFC0300 |
|                | End address                    | /endaddr   | FFFEFFFF |
|                | Encrypted image output address | /destaddr  | FFFC0300 |
| RX65N<br>RX671 | Start address                  | /startaddr | FFF00300 |
|                | End address                    | /endaddr   | FFFEFFFF |
|                | Encrypted image output address | /destaddr  | FFF00300 |
| RX72M<br>RX72N | Start address                  | /startaddr | FFE00300 |
|                | End address                    | /endaddr   | FFFEFFFF |
|                | Encrypted image output address | /destaddr  | FFE00300 |

- Standalone version

Enter the following values.

— **Output Image**

Select **Secure Update**.

— **Firmware Image**

MOT file output by update project (rxXXX\_bbb\_tsip\_user\_program.mot)

— **Encrypted Address Range** tab



The values differ depending on the MCU. Refer to Table 6.15 and select the appropriate values to match the MCU.

— **IV** tab

Select **Use specified value** and enter “55aa55aa55aa55aa55aa55aa55aa”.

— **RSU Header** tab

RSU header Ver: 2

— **Output**

Format: Binary

File: userprog.mot

To use the above settings, you can load the Security Key Management Tool settings file rxXXX\_SecureUpdate.skmt included in the sample.

The file rxXXX\_SecureUpdate.skmt is in xml format and can be edited as text. For **{\$skmt\_loc}** in rxXXX\_SecureUpdate.skmt, substitute the path of the secure bootloader project folder.

**Figure 6.61** Generating an Encrypted File (TSIP UPDATE Tab)

**Figure 6.62** Generating an Encrypted File (TSIP UPDATE Tab – Image Encryption Key Tab)

The screenshot shows a software interface with four tabs: "Encryption address range", "Image Encryption Key", "IV", and "RSU header". The "IV" tab is currently selected. It contains two radio button options: "Generate random value" (which is selected) and "Use specified value (16 hex bytes, big endian format)". To the right of the second option is an empty text input field.

Figure 6.63 Generating an Encrypted File (TSIP UPDATE Tab – IV Tab)

The screenshot shows the same software interface with the "RSU header" tab selected. It features two dropdown menus: "RSU header Ver:" with the value "2" selected, and "Image Flag:" with the value "TESTING" selected. The other tabs ("Encryption address range", "Image Encryption Key", "IV") are visible but not active.

Figure 6.64 Generating an Encrypted File (TSIP UPDATE Tab – RSU Header Tab)

Use Renesas Flash Programmer to write the Motorola S format file (default file name: userprog.mot) containing the encrypted user program and plaintext secure bootloader to the device.

### (5) Starting the Terminal Emulator (Tera Term)

Make connections as shown in the applicable connection diagram in 6.2.1, Demo Project Setup, and launch Tera Term before writing the data using Renesas Flash Programmer.

### (6) Writing Data Using Renesas Flash Programmer

Start Renesas Flash Programmer and create a project. After creating the project, click the **Tool Details** button on the **Connection Settings** tab. Then select the **Reset Settings** tab and set **Reset signal at Disconnection** to **Reset Pin as Hi-Z**.

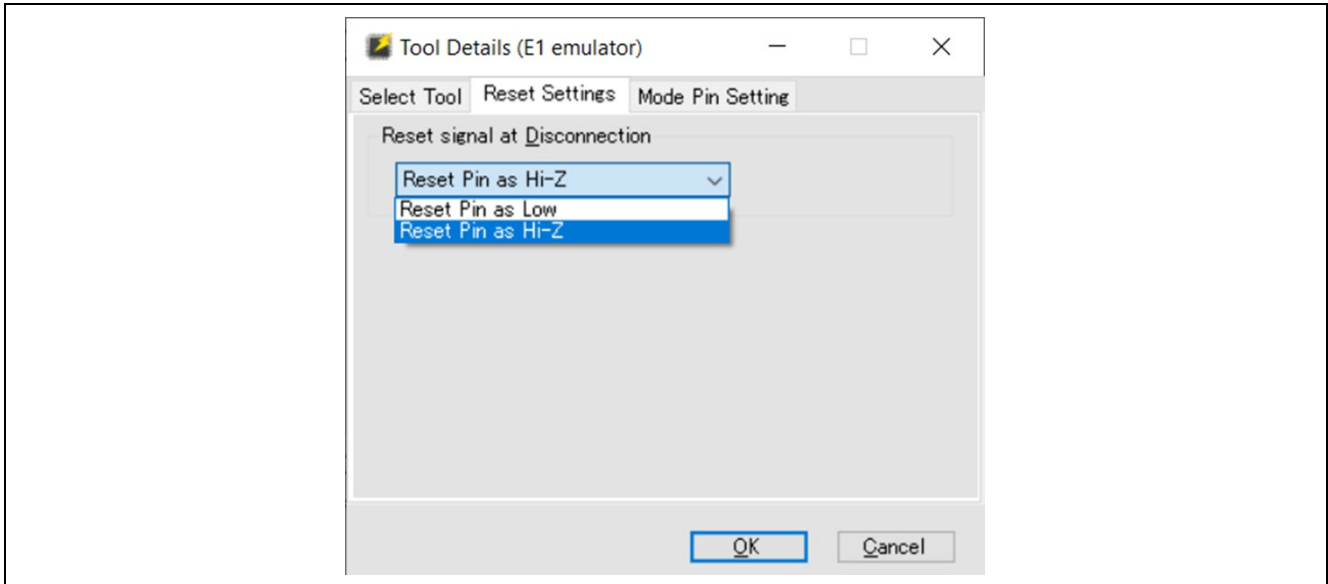


Figure 6.65 Renesas Flash Programmer Reset Settings Tab

If the data was successfully written to the device using Renesas Flash Programmer, the secure bootloader program runs on the device, decrypts the encrypted user program, and then runs the user program.

If the operation is successful, similar to the following is displayed.

```

HELLO!! this is boot program. ~
$ I was built in Mar 31 2025, 15:10:47.
bank info = 1. (start bank = 0)
Checking flash ROM status.
status = STATE_INJECT_KEY
===== generate user key index phase =====
generate aes128 user program mac key index: OK
===== install user key index phase =====
erase data flash(main)...OK
write data flash(main)...OK
erase data flash(mirror)...OK
write data flash(mirror)...OK
data flash setting OK.
bank info = 1. (start bank = 0)
Checking flash ROM status.
status = STATE_GET_IMAGE
Copy Secure Boot...OK

==== Image updater [dual bank] ====
Erase buffer area...OK
W 0xFFE00000, 128 ... OK
W 0xFFE00080, 128 ... OK
W 0xFFE00100, 128 ... OK
W 0xFFE00180, 128 ... OK
W 0xFFE00200, 128 ... OK
W 0xFFE00280, 128 ... OK
transit TSIP status to UpdateFirmware: OK
extract update file parameters: OK
decrypt program:
W 0xFFE00300, 128 ... OK
W 0xFFE00380, 128 ... OK

...

W 0xFFE0D800, 128 ... OK
W 0xFFE0FF80, 128 ... OK
erase data flash(main)...OK
write data flash(main)...OK
erase data flash(mirror)...OK
write data flash(mirror)...OK
data flash setting OK.
bank info = 1. (start bank = 0)
Checking flash ROM status.
status = STATE_ACTIVATE_IMAGE
erase secure boot erase area...OK
update data flash
erase data flash(main)...OK
write data flash(main)...OK
erase data flash(mirror)...OK
write data flash(mirror)...OK
data flash setting OK.
activating image ... OK
software reset...
HELLO!! this is boot program. ~
$ I was built in Mar 31 2025, 15:10:47.
bank info = 0. (start bank = 1)
Checking flash ROM status.
status = STATE_EXEC_IMAGE

==== BootLoader [dual bank] ====
secure boot sequence: success.
execute image ...
HELLO!! this is user program. ~
$ I was built in Mar 31 2025, 15:11:36.
Version ver 1.00.
tsip@rx65n
$

```

**Figure 6.66 Log Output when Using Renesas Flash Programmer to Write Encrypted User Program (RSK RX65N)**

**(7) Firmware Update Operation**

For firmware update operation, refer to step (8), Firmware Update Operation, under 6.2.3, Secure Bootloader and Firmware Update Execution Example.


### 6.2.5 Debugging User Program Projects

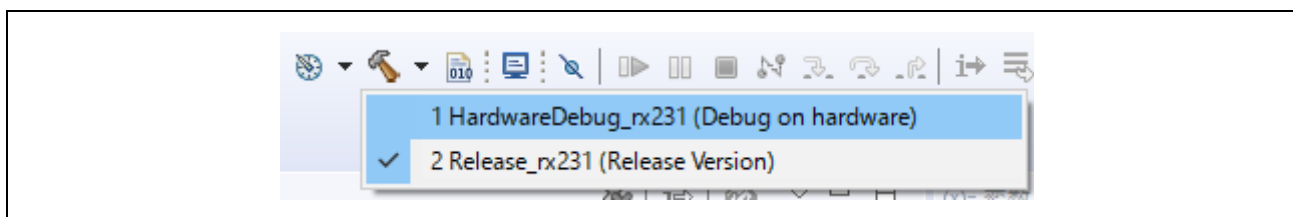
Since the user program project is started via Secure Boot, the reset vector (RESETVECT) of the project is placed at 0xFFFF7FFFC. For this reason, the user program project cannot be debugged as is. To debug the user program project, switch to the debugging configuration shown in Debugging Configuration of Each User Program.

**Table 6-15 Debugging configuration for each user program**

| Board              | User Program                    | Debug Configuration |
|--------------------|---------------------------------|---------------------|
| RSK RX231          | rx231_rsk_tsip_user_program     | HardwareDebug_rx231 |
| MCB RX26T          | rx26t_mcb_tsip_sci_user_program | HardwareDebug_rx26t |
| RSK RX65N          | rx65n_2mb_rsk_tsip_user_program | HardwareDebug_rx65n |
| RSK RX66T          | rx66t_rsk_tsip_sci_user_program | HardwareDebug_rx66t |
| RSK RX671          | rx671_rsk_tsip_user_program     | HardwareDebug_rx671 |
| RSK RX72M          | rx72m_rsk_tsip_user_program     | HardwareDebug_rx72m |
| RSK RX72N          | rx72n_rsk_tsip_user_program     | HardwareDebug_rx72n |
| RX72N Envision Kit | rx72n_ek_tsip_user_program      | HardwareDebug_rx72n |
| RSK RX72T          | rx72t_rsk_tsip_user_program     | HardwareDebug_rx72t |

- How to switch debugger connection configuration:

1. Press ▼ next to e<sup>2</sup>studio menu build button  Select [HardwareDebug\_rx231(Debug on hardware)] to start the build.



**Figure 6.67 e<sup>2</sup>studio project menu(for RX231)**

2. Once the build is complete, debugging with the debugger becomes possible.

Difference between "Release\_rxXXX" configuration for release and "HardwareDebug\_rxXXX" configuration for debugging

The addresses of the reset vector (RESETVECT) and interrupt vector (EXCEPTVECT) at build time are different between the "Release\_rxXXX" and "HardwareDebug\_rxXXX" configurations for each user program project.

**Table 6-16 User program project Vector setting address for each configuration**

| Symbol     | Release_rxXXX | HardwareDebug_rxXXX |
|------------|---------------|---------------------|
| RESETVECT  | 0xFFFFEFFF8   | 0xFFFFFFFF8         |
| EXCEPTVECT | 0xFFFFEFFF0   | 0xFFFFFFFF0         |

### 6.2.6 Notes on Transition from Secure Bootloader to User Program

When the transition from the secure bootloader program to the user program takes place, the peripheral function settings of the secure bootloader program are inherited by the application. In the bootloader sample program this is implemented as follows.

The API functions of the FIT modules (SCI, flash, TSIP, and USB) used by the secure bootloader program are closed when the bootloader terminates. All other settings are returned to their initial values when Smart Configurator is used.

If the user modifies the secure bootloader sample program for their own use, the peripheral function settings configured in the secure bootloader program are inherited by the application. It is therefore recommended either that the peripheral function settings be initialized before the transition from the secure bootloader program to the user program, or that common peripheral function settings be used for the application and the secure bootloader.

In other words, it is necessary to also consider the implementation of the secure bootloader program when creating applications.



## 7. Appendix

### 7.1 Confirmed Operation Environment

The operation of the driver has been confirmed in the following environment.

**Table 7-1 Confirmed Operation Environment**

| Item                               | Description                                                                                                                                                                                                                                                                                                                                                                                                                                                                                                                                                                                                                                                                                                          |
|------------------------------------|----------------------------------------------------------------------------------------------------------------------------------------------------------------------------------------------------------------------------------------------------------------------------------------------------------------------------------------------------------------------------------------------------------------------------------------------------------------------------------------------------------------------------------------------------------------------------------------------------------------------------------------------------------------------------------------------------------------------|
| Integrated development environment | Renesas Electronics e <sup>2</sup> studio 2024-10<br>IAR Embedded Workbench for Renesas RX 5.10.01                                                                                                                                                                                                                                                                                                                                                                                                                                                                                                                                                                                                                   |
| C compiler                         | Renesas Electronics C/C++ Compiler for RX Family (CC-RX) V3.06.00<br>Compile options:<br>The following option has been added to the default settings of the integrated development environment.<br>-lang = c99                                                                                                                                                                                                                                                                                                                                                                                                                                                                                                       |
|                                    | GCC for Renesas RX 8.3.0.202405<br>Compile options:<br>The following option has been added to the default settings of the integrated development environment.<br>-std = gnu99                                                                                                                                                                                                                                                                                                                                                                                                                                                                                                                                        |
|                                    | IAR C/C++ Compiler for Renesas RX version 5.10.01<br>Compiler options: Default settings of the integrated development environment                                                                                                                                                                                                                                                                                                                                                                                                                                                                                                                                                                                    |
| Endian order                       | Big-endian or little-endian                                                                                                                                                                                                                                                                                                                                                                                                                                                                                                                                                                                                                                                                                          |
| Module version                     | Ver. 1.22                                                                                                                                                                                                                                                                                                                                                                                                                                                                                                                                                                                                                                                                                                            |
| Board used                         | Renesas Starter Kit for RX231 (B version) (product No.: R0K505231S020BE)<br>Renesas Solution Starter Kit for RX23W (with TSIP)<br>(product No.: RTK5523W8BC00001BJ)<br>MCB-RX26T Type B (product No.: RTK0EMXE70C02000BJ)<br>Renesas Starter Kit+ for RX65N-2MB (with TSIP)<br>(product No.: RTK50565N2S10010BE)<br>Renesas Starter Kit for RX66T (with TSIP) (product No.: RTK50566T0S00010BE)<br>Renesas Starter Kit+ for RX671 (product No.: RTK55671xxxxxxxxxx)<br>Renesas Starter Kit+ for RX72M (with TSIP) (product No.: RTK5572MNHSxxxxxxxx)<br>Renesas Starter Kit+ for RX72N (with TSIP) (product No.: RTK5572NNHCxxxxxxxx)<br>Renesas Starter Kit for RX72T (with TSIP) (product No.: RTK5572TKCS00010BE) |

## 7.2 Troubleshooting

(1) Q: I added the FIT module to my project, but when I build it I get the error “Could not open source file ‘platform.h’.”

A: The FIT module may not have been added to the project properly. Refer to the documents listed below to confirm the method for adding FIT modules:

- Using CS+  
Application Note: Adding Firmware Integration Technology Modules to CS+ Projects (R01AN1826)
- Using e<sup>2</sup> studio  
Application Note: Adding Firmware Integration Technology Modules to Projects (R01AN1723)

When using the FIT module, the board support package FIT module (BSP module) must also be added to the project. Refer to the application note “RX Family: Board Support Package Module Using Firmware Integration Technology” (R01AN1685) for instructions for adding the BSP module.

(2) Q: I want to use the FIT Demos e<sup>2</sup> studio sample project on CS+.

A: Visit the following webpage for instructions:

Porting from the e<sup>2</sup> studio to CS+

> Convert an Existing Project to Create a New Project With CS+

<https://www.renesas.com/jp/ja/products/software-tools/tools/migration-tools/migration-e2studio-to-csplus.html>

Note: In step 5, the [Q0268002] dialog box may appear if the box next to “Backup the project composition files after conversion” is checked. If you click the **Yes** button in the [Q0268002] dialog box, you must then re-input the compiler include path.

## 7.3 User Key Encryption Formats

For key injection the user key is wrapped using a UFPK and IV, and for key updating the user key is wrapped using a KUK and IV. The format of the key data to be wrapped depends on the cryptographic algorithm. This section lists the data formats for the user key to be encrypted (user key) and for the wrapped key (encrypted key).

Refer to 3.7.1, Key Injection and Updating, for information on encryption methods.

### 7.3.1 AES

#### 7.3.1.1 AES 128-Bit Key

Input (User key)

|       |                 |   |   |   |
|-------|-----------------|---|---|---|
| Bytes | 16              |   |   |   |
|       | 4               | 4 | 4 | 4 |
| 0-15  | 128-bit AES key |   |   |   |

Output (Encrypted key)

|       |                                         |   |   |   |
|-------|-----------------------------------------|---|---|---|
| Bytes | 16                                      |   |   |   |
|       | 4                                       | 4 | 4 | 4 |
| 0-15  | encrypted_user_key<br>(128-bit AES key) |   |   |   |
| 16-31 | MAC                                     |   |   |   |

#### 7.3.1.2 AES 256-Bit Key

Input (User key)

|       |                 |   |   |   |
|-------|-----------------|---|---|---|
| Bytes | 16              |   |   |   |
|       | 4               | 4 | 4 | 4 |
| 0-31  | 256-bit AES key |   |   |   |

Output (Encrypted key)

|       |                                         |   |   |   |
|-------|-----------------------------------------|---|---|---|
| Bytes | 16                                      |   |   |   |
|       | 4                                       | 4 | 4 | 4 |
| 0-31  | encrypted_user_key<br>(256-bit AES key) |   |   |   |
| 32-47 | MAC                                     |   |   |   |

### 7.3.2 DES

Input (User key)

|       |                                    |   |   |   |
|-------|------------------------------------|---|---|---|
| Bytes | 16                                 |   |   |   |
|       | 4                                  | 4 | 4 | 4 |
| 0-7   | 56-bit DES key with odd parity 1*1 |   |   |   |
| 8-15  | 56-bit DES key with odd parity 2*1 |   |   |   |
| 16-23 | 56-bit DES key with odd parity 3*1 |   |   |   |

Output (Encrypted key)

|       |                                                                                                                                        |   |   |   |
|-------|----------------------------------------------------------------------------------------------------------------------------------------|---|---|---|
| Bytes | 16                                                                                                                                     |   |   |   |
|       | 4                                                                                                                                      | 4 | 4 | 4 |
| 0-23  | encrypted_user_key<br>(56-bit DES key with odd parity 1   <br>56-bit DES key with odd parity 2   <br>56-bit DES key with odd parity 3) |   |   |   |
| 24-39 | MAC                                                                                                                                    |   |   |   |

Note: 1. Append an odd-parity bit to each 7 bits of key data.

Example: DES key data = 0x0000000000000000 → 0x0101010101010101

DES key data = 0xFFFFFFFFFFFFFFFF → 0xFEFEFEFEFEFEFEFEFE

For 2-DES, insert the same key in the 56-bit DES key with odd parity 1 and the 56-bit DES key with odd parity 3.

For DES, insert the same value in the 56-bit DES key with odd parity 1, the 56-bit DES key with odd parity 2, and the 56-bit DES key with odd parity 3.

### 7.3.3 ARC4

Input (User key)

|       |      |   |   |   |
|-------|------|---|---|---|
| Bytes | 16   |   |   |   |
|       | 4    | 4 | 4 | 4 |
| 0-255 | ARC4 |   |   |   |

Output (Encrypted key)

|         |                           |   |   |   |
|---------|---------------------------|---|---|---|
| Bytes   | 16                        |   |   |   |
|         | 4                         | 4 | 4 | 4 |
| 0-255   | encrypted_user_key (ARC4) |   |   |   |
| 256-272 | MAC                       |   |   |   |

### 7.3.4 RSA

#### 7.3.4.1 RSA 1024-Bit Key

##### (1) Public Key

Input (User key)

|         |                           |           |   |   |
|---------|---------------------------|-----------|---|---|
| Bytes   | 16                        |           |   |   |
|         | 4                         | 4         | 4 | 4 |
| 0-127   | RSA 1024-bit public key n |           |   |   |
| 128-143 | RSA 1024-bit public key e | 0 padding |   |   |

Output (Encrypted key)

|         |                                                                        |   |   |   |
|---------|------------------------------------------------------------------------|---|---|---|
| Bytes   | 16                                                                     |   |   |   |
|         | 4                                                                      | 4 | 4 | 4 |
| 0-143   | encrypted_user_key<br>(RSA 1024-bit public key n    e   <br>0 padding) |   |   |   |
| 144-159 | MAC                                                                    |   |   |   |

##### (2) Secret Key

Input (User key)

|         |                           |   |   |   |
|---------|---------------------------|---|---|---|
| Bytes   | 16                        |   |   |   |
|         | 4                         | 4 | 4 | 4 |
| 0-127   | RSA 1024-bit public key n |   |   |   |
| 128-255 | RSA 1024-bit secret key d |   |   |   |

Output (Encrypted key)

|         |                                                                      |   |   |   |
|---------|----------------------------------------------------------------------|---|---|---|
| Bytes   | 16                                                                   |   |   |   |
|         | 4                                                                    | 4 | 4 | 4 |
| 0-255   | encrypted_user_key<br>(RSA 1024-bit public key n    secret<br>key d) |   |   |   |
| 256-271 | MAC                                                                  |   |   |   |

### 7.3.4.2 RSA 2048-Bit Key

#### (1) Public Key

Input (User key)

|         |                           |           |   |   |
|---------|---------------------------|-----------|---|---|
| Bytes   | 16                        |           |   |   |
|         | 4                         | 4         | 4 | 4 |
| 0-255   | RSA 2048-bit public key n |           |   |   |
| 256-271 | RSA 2048-bit public key e | 0 padding |   |   |

Output (Encrypted key)

|         |                                                                        |   |   |   |
|---------|------------------------------------------------------------------------|---|---|---|
| Bytes   | 16                                                                     |   |   |   |
|         | 4                                                                      | 4 | 4 | 4 |
| 0-271   | encrypted_user_key<br>(RSA 2048-bit public key n    e   <br>0 padding) |   |   |   |
| 272-287 | MAC                                                                    |   |   |   |

#### (2) Secret Key

Input (User key)

|         |                           |   |   |   |
|---------|---------------------------|---|---|---|
| Bytes   | 16                        |   |   |   |
|         | 4                         | 4 | 4 | 4 |
| 0-255   | RSA 2048-bit public key n |   |   |   |
| 256-511 | RSA 2048-bit secret key d |   |   |   |

Output (Encrypted key)

|         |                                                                      |   |   |   |
|---------|----------------------------------------------------------------------|---|---|---|
| Bytes   | 16                                                                   |   |   |   |
|         | 4                                                                    | 4 | 4 | 4 |
| 0-511   | encrypted_user_key<br>(RSA 2048-bit public key n    secret<br>key d) |   |   |   |
| 512-527 | MAC                                                                  |   |   |   |

### 7.3.4.3 RSA 3072-Bit Key

#### (1) Public Key

Input (User key)

|         |                           |           |   |   |
|---------|---------------------------|-----------|---|---|
| Bytes   | 16                        |           |   |   |
|         | 4                         | 4         | 4 | 4 |
| 0-383   | RSA 3072-bit public key n |           |   |   |
| 384-399 | RSA 3072-bit public key e | 0 padding |   |   |

Output (Encrypted key)

|         |                                                                        |   |   |   |
|---------|------------------------------------------------------------------------|---|---|---|
| Bytes   | 16                                                                     |   |   |   |
|         | 4                                                                      | 4 | 4 | 4 |
| 0-399   | encrypted_user_key<br>(RSA 3072-bit public key n    e   <br>0 padding) |   |   |   |
| 400-415 | MAC                                                                    |   |   |   |

**7.3.4.4 RSA 4096-Bit Key**

**(1) Public Key**

Input (User key)

|         |                           |           |   |   |
|---------|---------------------------|-----------|---|---|
| Bytes   | 16                        |           |   |   |
|         | 4                         | 4         | 4 | 4 |
| 0-511   | RSA 4096-bit public key n |           |   |   |
| 512-527 | RSA 4096-bit public key e | 0 padding |   |   |

Output (Encrypted key)

|         |                                                                     |   |   |   |
|---------|---------------------------------------------------------------------|---|---|---|
| Bytes   | 16                                                                  |   |   |   |
|         | 4                                                                   | 4 | 4 | 4 |
| 0-527   | encrypted_user_key<br>(RSA 4096-bit public key n    e    0 padding) |   |   |   |
| 528-543 | MAC                                                                 |   |   |   |

**7.3.5 ECC**

**7.3.5.1 ECC P192**

**(1) Public Key**

Input (User key)

|       |           |   |                             |   |
|-------|-----------|---|-----------------------------|---|
| Bytes | 16        |   |                             |   |
|       | 4         | 4 | 4                           | 4 |
| 0-31  | 0 padding |   | ECC P 192-bit public key Qx |   |
|       | 0 padding |   | ECC P 192-bit public key Qy |   |

Output (Encrypted key)

|       |                                                                                                              |   |   |   |
|-------|--------------------------------------------------------------------------------------------------------------|---|---|---|
| Bytes | 16                                                                                                           |   |   |   |
|       | 4                                                                                                            | 4 | 4 | 4 |
| 0-63  | encrypted_user_key<br>(0 padding    ECC P 192-bit public key Qx    0 padding    ECC P 192-bit public key Qy) |   |   |   |
| 64-79 | MAC                                                                                                          |   |   |   |

**(2) Secret Key**

Input (User key)

|       |           |   |                            |   |
|-------|-----------|---|----------------------------|---|
| Bytes | 16        |   |                            |   |
|       | 4         | 4 | 4                          | 4 |
| 0-31  | 0 padding |   | ECC P 192-bit secret key d |   |

Output (Encrypted key)

|       |                                                                 |   |   |   |
|-------|-----------------------------------------------------------------|---|---|---|
| Bytes | 16                                                              |   |   |   |
|       | 4                                                               | 4 | 4 | 4 |
| 0-31  | encrypted_user_key<br>(0 padding    ECC P 192-bit secret key d) |   |   |   |
| 32-47 | MAC                                                             |   |   |   |

## 7.3.5.2 ECC P224

## (1) Public Key

Input (User key)

|       |                             |                             |   |   |
|-------|-----------------------------|-----------------------------|---|---|
| Bytes | 16                          |                             |   |   |
|       | 4                           | 4                           | 4 | 4 |
| 0-31  | 0 padding                   | ECC P 224-bit public key Qx |   |   |
|       | ECC P 224-bit public key Qy |                             |   |   |
| 32-63 | 0 padding                   | ECC P 224-bit public key Qy |   |   |
|       | ECC P 224-bit public key Qy |                             |   |   |

Output (Encrypted key)

|       |                                                                                                              |   |   |   |
|-------|--------------------------------------------------------------------------------------------------------------|---|---|---|
| Bytes | 16                                                                                                           |   |   |   |
|       | 4                                                                                                            | 4 | 4 | 4 |
| 0-63  | encrypted_user_key<br>(0 padding    ECC P 224-bit public key Qx    0 padding    ECC P 224-bit public key Qy) |   |   |   |
| 64-79 | MAC                                                                                                          |   |   |   |

## (2) Secret Key

Input (User key)

|       |                            |                            |   |   |
|-------|----------------------------|----------------------------|---|---|
| Bytes | 16                         |                            |   |   |
|       | 4                          | 4                          | 4 | 4 |
| 0-31  | 0 padding                  | ECC P 224-bit secret key d |   |   |
|       | ECC P 224-bit secret key d |                            |   |   |

Output (Encrypted key)

|       |                                                                 |   |   |   |
|-------|-----------------------------------------------------------------|---|---|---|
| Bytes | 16                                                              |   |   |   |
|       | 4                                                               | 4 | 4 | 4 |
| 0-31  | encrypted_user_key<br>(0 padding    ECC P 224-bit secret key d) |   |   |   |
| 32-47 | MAC                                                             |   |   |   |

## 7.3.5.3 ECC P256

## (1) Public Key

Input (User key)

|       |                             |   |   |   |
|-------|-----------------------------|---|---|---|
| Bytes | 16                          |   |   |   |
|       | 4                           | 4 | 4 | 4 |
| 0-31  | ECC P 256-bit public key Qx |   |   |   |
| 32-63 | ECC P 256-bit public key Qy |   |   |   |

Output (Encrypted key)

|       |                                                                                    |   |   |   |
|-------|------------------------------------------------------------------------------------|---|---|---|
| Bytes | 16                                                                                 |   |   |   |
|       | 4                                                                                  | 4 | 4 | 4 |
| 0-63  | encrypted_user_key<br>(ECC P 256-bit public key Qx    ECC P 256-bit public key Qy) |   |   |   |
| 64-79 | MAC                                                                                |   |   |   |

## (2) Secret Key

Input (User key)

|       |                            |   |   |   |
|-------|----------------------------|---|---|---|
| Bytes | 16                         |   |   |   |
|       | 4                          | 4 | 4 | 4 |
| 0-31  | ECC P 256-bit secret key d |   |   |   |

Output (Encrypted key)

|       |                                                    |   |   |   |
|-------|----------------------------------------------------|---|---|---|
| Bytes | 16                                                 |   |   |   |
|       | 4                                                  | 4 | 4 | 4 |
| 0-31  | encrypted_user_key<br>(ECC P 256-bit secret key d) |   |   |   |
| 32-47 | MAC                                                |   |   |   |

### 7.3.5.4 ECC P384

#### (1) Public Key

Input (User key)

|       |                             |   |   |   |
|-------|-----------------------------|---|---|---|
| Bytes | 16                          |   |   |   |
|       | 4                           | 4 | 4 | 4 |
| 0-47  | ECC P 384-bit public key Qx |   |   |   |
| 48-95 | ECC P 384-bit public key Qy |   |   |   |

Output (Encrypted key)

|        |                                                                                       |   |   |   |
|--------|---------------------------------------------------------------------------------------|---|---|---|
| Bytes  | 16                                                                                    |   |   |   |
|        | 4                                                                                     | 4 | 4 | 4 |
| 0-95   | encrypted_user_key<br>(ECC P 384-bit public key Qx   <br>ECC P 384-bit public key Qy) |   |   |   |
| 96-111 | MAC                                                                                   |   |   |   |

#### (2) Secret Key

Input (User key)

|       |                            |   |   |   |
|-------|----------------------------|---|---|---|
| Bytes | 16                         |   |   |   |
|       | 4                          | 4 | 4 | 4 |
| 0-47  | ECC P 384-bit secret key d |   |   |   |

Output (Encrypted key)

|       |                                                    |   |   |   |
|-------|----------------------------------------------------|---|---|---|
| Bytes | 16                                                 |   |   |   |
|       | 4                                                  | 4 | 4 | 4 |
| 0-47  | encrypted_user_key<br>(ECC P 384-bit secret key d) |   |   |   |
| 48-63 | MAC                                                |   |   |   |

### 7.3.6 HMAC

#### 7.3.6.1 SHA1-HMAC Key

Input (User key)

|       |               |   |   |   |
|-------|---------------|---|---|---|
| Bytes | 16            |   |   |   |
|       | 4             | 4 | 4 | 4 |
| 0-31  | HMAC-SHA1 key |   |   |   |
|       | 0 padding     |   |   |   |

Output (Encrypted key)

|       |                                                |   |   |   |
|-------|------------------------------------------------|---|---|---|
| Bytes | 16                                             |   |   |   |
|       | 4                                              | 4 | 4 | 4 |
| 0-31  | encrypted_user_key<br>(HMAC-SHA1    0 padding) |   |   |   |
| 32-47 | MAC                                            |   |   |   |

#### 7.3.6.2 SHA256-HMAC Key

Input (User key)

|       |                 |   |   |   |
|-------|-----------------|---|---|---|
| Bytes | 16              |   |   |   |
|       | 4               | 4 | 4 | 4 |
| 0-31  | HMAC-SHA256 key |   |   |   |

Output (Encrypted key)

|       |                                     |   |   |   |
|-------|-------------------------------------|---|---|---|
| Bytes | 16                                  |   |   |   |
|       | 4                                   | 4 | 4 | 4 |
| 0-31  | encrypted_user_key<br>(HMAC-SHA256) |   |   |   |
| 32-47 | MAC                                 |   |   |   |

### 7.3.7 KUK

Input (User key)

|       |                        |   |   |   |
|-------|------------------------|---|---|---|
| Bytes | 16                     |   |   |   |
|       | 4                      | 4 | 4 | 4 |
| 0-15  | AES 128-bit CBC key    |   |   |   |
| 16-31 | AES 128-bit CBCMAC key |   |   |   |

Output (Encrypted key)

|       |                                                              |   |   |   |
|-------|--------------------------------------------------------------|---|---|---|
| Bytes | 16                                                           |   |   |   |
|       | 4                                                            | 4 | 4 | 4 |
| 0-31  | encrypted_user_key<br>(AES 128-bit CBC key    CBCMAC<br>key) |   |   |   |
| 32-47 | MAC                                                          |   |   |   |



## 7.4 Wrapped Key of Public Key Formats for Asymmetric Cryptography

Public keys for asymmetric cryptography contain plaintext information in the wrapped key. This enables plaintext information to be extracted from the wrapped key using the TSIP's key generation functionality. The data format of each cryptographic algorithm is described below.

### 7.4.1 RSA

The key index structure `tsip_rsaXXXX_public_key_index_t` of the RSA public key contains the plaintext data of the public key in members `value.key_n` and `value_e`.

The modulus and exponent values are output in big-endian byte ordering as `key_n` and `key_e`, respectively.

### 7.4.2 ECC

The member `value.key_q` of the wrapped key structure `tsip_ecc_public_key_index_t` of the ECC public key contains the plaintext data of the public key. The format of `key_q` is as shown below.

#### 7.4.2.1 ECC P 192-Bit Key

|       |                                            |         |                         |         |
|-------|--------------------------------------------|---------|-------------------------|---------|
| Bytes | 128 bits                                   |         |                         |         |
|       | 32 bits                                    | 32 bits | 32 bits                 | 32 bits |
| 0-15  | 0 padding                                  |         | ECC P-192 public key Qx |         |
| 16-31 | ECC P 192-bit public key Qx (continuation) |         |                         |         |
| 32-47 | 0 padding                                  |         | ECC P-192 public key Qy |         |
| 48-63 | ECC P 192-bit public key Qy (continuation) |         |                         |         |
| 64-79 | Wrapped key management information         |         |                         |         |

#### 7.4.2.2 ECC P 224-Bit Key

|       |                                            |         |                         |         |
|-------|--------------------------------------------|---------|-------------------------|---------|
| Bytes | 128 bits                                   |         |                         |         |
|       | 32 bits                                    | 32 bits | 32 bits                 | 32 bits |
| 0-15  | 0 padding                                  |         | ECC P-224 public key Qx |         |
| 16-31 | ECC P 224-bit public key Qx (continuation) |         |                         |         |
| 32-47 | 0 padding                                  |         | ECC P-224 public key Qy |         |
| 48-63 | ECC P 224-bit public key Qy (continuation) |         |                         |         |
| 64-79 | Wrapped key management information         |         |                         |         |

#### 7.4.2.3 ECC P 256-Bit Key

|       |                                    |         |         |         |
|-------|------------------------------------|---------|---------|---------|
| Bytes | 128 bits                           |         |         |         |
|       | 32 bits                            | 32 bits | 32 bits | 32 bits |
| 0-31  | ECC P-256-bit public key Qx        |         |         |         |
| 32-63 | ECC P 256-bit public key Qy        |         |         |         |
| 64-79 | Wrapped key management information |         |         |         |

#### 7.4.2.4 ECC P 384-Bit Key

|        |                                    |         |         |         |
|--------|------------------------------------|---------|---------|---------|
| Bytes  | 128 bits                           |         |         |         |
|        | 32 bits                            | 32 bits | 32 bits | 32 bits |
| 0-47   | ECC P 384-bit public key Qx        |         |         |         |
| 48-95  | ECC P 384-bit public key Qy        |         |         |         |
| 96-111 | Wrapped key management information |         |         |         |

## 7.5 Encrypted Key Generation in Dynamic Operation

The operations to generate encrypted key which is described in the Figure 3.3 User Key Wrapping Scheme during Key Injection and Key Updating in 3.7.1 Key Injection and Updating, can be executed in dynamic operation on the device with using TSIP driver. The overview of the operation is shown in Figure 7.1.

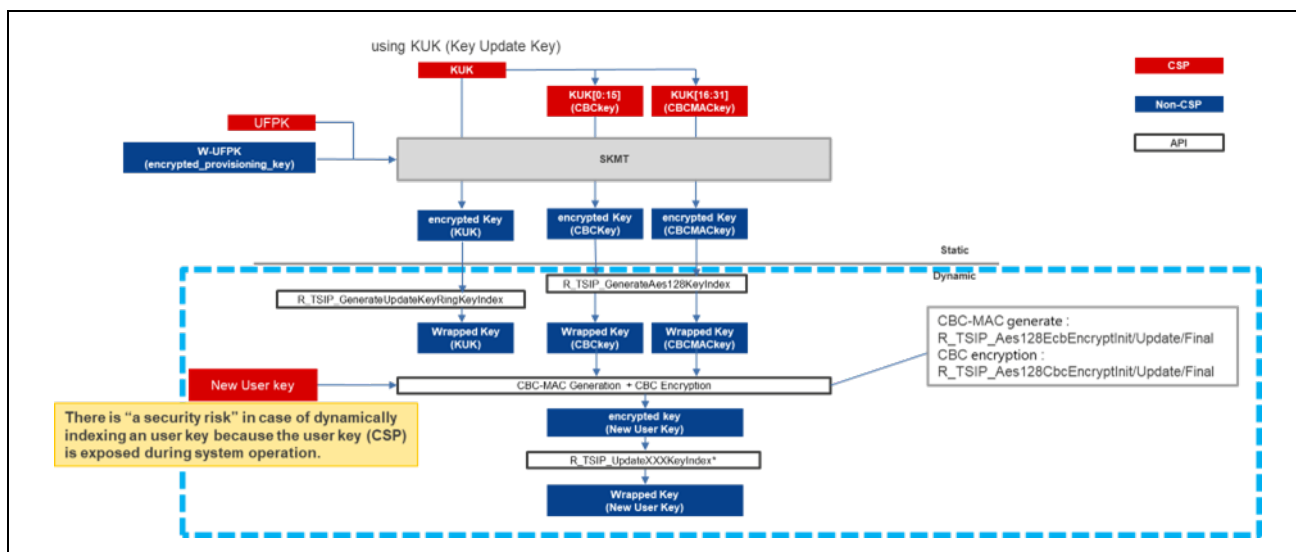


Figure 7.1 Encrypted Key Generation in Dynamic Operation

The specific operation which is described in light blue dotted line frame in Figure 7.1 is shown below with C language format.

```

uint8_t user_key[LEN] = "New User key"; /* LEN is byte size of User Key */
uint8_t encrypted_key[LEN+16];
uint32_t MAC[4] = 0; /* Zero initialization */
uint8_t iv[16] = "Initial vector";

tsip_aes_key_index_t CBCMACKey;
tsip_aes_key_index_t CBCKey;
tsip_update_key_ring_t KUK;
tsip_XXX_key_index* wrapped_key;

tsip_aes_handle_t aes_handle;
uint32_t i, j;
uint8_t work_input[16];
uint8_t work_output[16];
uint8_t work_dummy[16];
uint32_t dummy;

/*Inject KUK as CBCMACKey and CBCKey*/
R_TSIP_GenerateAes128KeyIndex('W-UFPK', 'Initial vector',
 'Encrypted key for 1st half of KUK as CBCKey', &CBCKey);
R_TSIP_GenerateAes128KeyIndex('W-UFPK', 'Initial vector',
 'Encrypted key for 2nd half of KUK as CBCMACKey', &CBCMACKey);

/* Inject KUK */
R_TSIP_GenerateUpdateKeyRingKeyIndex('W-UFPK', 'Initial vector',
 'Encrypted key for KUK', &KUK);
R_TSIP_Close();
R_TSIP_Open(NULL, &KUK);

```

```
/* AES-128 CBC-MAC */
R_TSIP_Aes128EcbEncryptInit(&aes_handle, &CBCMACkey);
for (i = 0; i < LEN; i += 16)
{
 for (j=0; j<16; j++)
 {
 work_input[j] = user_key[i+j] ^ mac[j];
 }
 R_TSIP_AES128EcbEncryptUpdate(&aes_handle, work_input, work_output, 16);
 memcpy(mac, work_output, 16);
}
R_TSIP_Aes128EncryptFinal(&aes_handle, work_dummy, &dummy);

/* AES-128 CBC-Encryption */
R_TSIP_Aes128CbcEncryptInit(&aes_handle, &CBCkey, iv);
R_TSIP_Aes128CbcEncryptUpdate(&aes_handle, user_key, encrypted_key, len);
R_TSIP_Aes128CbcEncryptUpdate(&aes_handle, mac, &encrypted_key[len], 16);
R_TSIP_Aes128CbcEncryptFinal(&aes_handle, work_dummy, &dummy);

/* Generate wrapped key */
R_TSIP_UpdateXXXKeyIndex*(iv, encrypted_key, &"Wrapped key structure for the User Key");
```

---

In above description, the words with single quotation marks such as 'W-UFPK' and 'Initial vector' mean the value assigned from key data files generated by SKMT, and the words with double quotation marks such as "New User Key" means the value assigned prepared by the user.

In addition, R\_TSIP\_UpdateXXXKeyIndex\* means the API which updates the wrapped key which type is determined by the user key type.

However, in the case of processing the above operation, unwrapped plain user key is exposed in the non secure area. Therefore, the operation is not recommended to implement. If you want to implement above operation, please examine the security risk and use only when when the risk is allowable. In addition, please examine risk control methods such as deleting plain user key instantly after wrapping process is finished.

## 8. Reference Documents

User's Manual: Hardware

(The latest version can be downloaded from the Renesas Electronics website.)

Technical Updates/Technical News

(The latest information can be downloaded from the Renesas Electronics website.)

User's Manual: Development Environment

RX Family CC-RX Compiler User's Manual (R20UT3248)

(The latest version can be downloaded from the Renesas Electronics website.)

## Revision History

| Rev. | Date          | Description |                                                                                                                                                                                                                                                                                                                                                                                                                                                                                                                                                                                                                                                                                                                                                                                                                                                                                                                                                                                             |
|------|---------------|-------------|---------------------------------------------------------------------------------------------------------------------------------------------------------------------------------------------------------------------------------------------------------------------------------------------------------------------------------------------------------------------------------------------------------------------------------------------------------------------------------------------------------------------------------------------------------------------------------------------------------------------------------------------------------------------------------------------------------------------------------------------------------------------------------------------------------------------------------------------------------------------------------------------------------------------------------------------------------------------------------------------|
|      |               | Page        | Summary                                                                                                                                                                                                                                                                                                                                                                                                                                                                                                                                                                                                                                                                                                                                                                                                                                                                                                                                                                                     |
| 1.00 | Sep. 27, 2015 | —           | First edition issued                                                                                                                                                                                                                                                                                                                                                                                                                                                                                                                                                                                                                                                                                                                                                                                                                                                                                                                                                                        |
| 1.01 | Jun. 27, 2016 | —           | Added firmware update functionality                                                                                                                                                                                                                                                                                                                                                                                                                                                                                                                                                                                                                                                                                                                                                                                                                                                                                                                                                         |
| 1.02 | May 31, 2017  | —           | <ul style="list-style-type: none"> <li>Added AES-CMAC functionality</li> <li>Combined R_TSIP_SelfCheck1(), R_TSIP_SelfCheck2(), and R_TSIP_SoftwareReset into R_TSIP_Open()</li> <li>Added parameters for R_TSIP_InstallAes128UserKey() and R_TSIP_InstallAes256UserKey()</li> <li>Changed content on firmware updating using a USB flash drive</li> </ul>                                                                                                                                                                                                                                                                                                                                                                                                                                                                                                                                                                                                                                  |
| 1.03 | Sep. 30, 2017 | —           | <ul style="list-style-type: none"> <li>Added following flags for SHA and RSA: TSIP_SHA1, TSIP_SHA256, TSIP_RSA_1024, TSIP_RSA_2048</li> <li>Added R_TSIP_ERROR_PROHIBIT_FUNCTION error</li> </ul>                                                                                                                                                                                                                                                                                                                                                                                                                                                                                                                                                                                                                                                                                                                                                                                           |
| 1.04 | Feb. 28, 2018 | —           | <ul style="list-style-type: none"> <li>Added following flags for TLS and SECURE BOOT: TSIP_TLS, TSIP_SHA_1_HMAC, TSIP_SHA_256_HMAC, SECURE_BOOT</li> <li>Changed return value type to enum e_tsip_err_t</li> <li>Deleted R_TSIP_Rsa1024ModularExponent</li> <li>Deleted R_TSIP_Rsa2048ModularExponent</li> <li>Added TLS APIs</li> </ul>                                                                                                                                                                                                                                                                                                                                                                                                                                                                                                                                                                                                                                                    |
| 1.05 | Apr. 30, 2018 | —           | <ul style="list-style-type: none"> <li>Added following flags for TDES and MD5: TSIP_TDES_ECB_ENCRYPT, TSIP_TDES_ECB_DECRYPT, TSIP_TDES_CBC_ENCRYPT, TSIP_TDES_CBC_DECRYPT, TSIP_MD5</li> <li>Changed following flags for RSA: RSASSA_1024, RSASSA_2048, RSAES_1024, RSAES_2048</li> <li>Added MD5 APIs</li> <li>Added TDES APIs</li> <li>Added RSAES-PKCS1-v1_5 APIs</li> <li>Added TLS APIs</li> </ul>                                                                                                                                                                                                                                                                                                                                                                                                                                                                                                                                                                                     |
| 1.06 | Sep. 28, 2018 | —           | <ul style="list-style-type: none"> <li>Added support for RX66T</li> <li>Deleted R_TSIP_TlsAes128CbcEncryptInit/Update/Final, R_TSIP_TlsAes128CbcDecryptInit/Update/Final, R_TSIP_TlsAes256CbcEncryptInit/Update/Final, R_TSIP_TlsAes256CbcDecryptInit/Update/Final, R_TSIP_TlsSha1HmacGenerateInit/Update/Final, R_TSIP_TlsSha256HmacGenerateInit/Update/Final, R_TSIP_TlsSha1HmacVerifyInit/Update/Final, R_TSIP_TlsSha256HmacVerifyInit/Update/Final</li> <li>Changed parameter key index type in Init API of each algorithm</li> <li>Added key update APIs</li> <li>R_TSIP_Aes128CbcEncryptInit/Update/Final<br/>R_TSIP_Aes128CbcDecryptInit/Update/Final<br/>R_TSIP_Aes256CbcEncryptInit/Update/Final<br/>R_TSIP_Aes256CbcDecryptInit/Update/Final</li> <li>Added description of support for TLS</li> <li>Changed parameter key index type in Init API of each algorithm</li> <li>Added key update APIs</li> <li>Added RSA key generation API</li> <li>Amended SHA-HMAC APIs</li> </ul> |
| 1.07 | Feb. 28, 2019 | —           | Added support for RX72T                                                                                                                                                                                                                                                                                                                                                                                                                                                                                                                                                                                                                                                                                                                                                                                                                                                                                                                                                                     |

| Rev. | Date          | Description |                                                                                                                                                                                                                                                                                                                                                                                                                                                                                                                                                                                                                                                                                                                                                                                                                                                                                                                                                                                                                                                                                                                                                                                                                                                           |
|------|---------------|-------------|-----------------------------------------------------------------------------------------------------------------------------------------------------------------------------------------------------------------------------------------------------------------------------------------------------------------------------------------------------------------------------------------------------------------------------------------------------------------------------------------------------------------------------------------------------------------------------------------------------------------------------------------------------------------------------------------------------------------------------------------------------------------------------------------------------------------------------------------------------------------------------------------------------------------------------------------------------------------------------------------------------------------------------------------------------------------------------------------------------------------------------------------------------------------------------------------------------------------------------------------------------------|
|      |               | Page        | Summary                                                                                                                                                                                                                                                                                                                                                                                                                                                                                                                                                                                                                                                                                                                                                                                                                                                                                                                                                                                                                                                                                                                                                                                                                                                   |
| 1.08 | Sep. 30, 2019 | —           | <ul style="list-style-type: none"> <li>Added support for RX23W, RX72M, and elliptic curve cryptography</li> <li>Changed SECURE_BOOT configuration to TSIP_SECURE_BOOT, and deleted TSIP_INSTALL_KEY_RING_INDEX</li> <li>Changed R_TSIP_GenerateTdesUserKeyIndex to R_TSIP_GenerateTdesKeyIndex</li> </ul>                                                                                                                                                                                                                                                                                                                                                                                                                                                                                                                                                                                                                                                                                                                                                                                                                                                                                                                                                 |
| 1.09 | Mar. 31, 2020 | —           | <ul style="list-style-type: none"> <li>Added CCM and HMAC key generation and ECDH and key wrap functionality</li> <li>Added support for RX66N and RX72N</li> <li>Deleted R_TSIP_Open parameter and terminology explanation of s_flash, and newly added files_flash.c</li> <li>Added TSIP_USER_HASH_ENABLED configuration and user-defined function R_TSIP_RSA_IF_HASH used by RSA signature generation/verification function</li> <li>Added TSIP_ERR_FAIL to return values of GCM calculation preparation functions and unified the order in which the return values are listed</li> <li>Changed description of return value TSIP_ERR_PARAMETER to “Invalid input data” for cases other than handles</li> <li>Added description of members of key index to Parameters for functions that generate RSA and ECC public keys</li> <li>Amended description in Parameters for RSA encryption and decryption functions</li> <li>Added functionality for selecting message and hash value as data types for signature generation and verification functions</li> <li>Corrected spelling of “character” and “mirror”</li> <li>Changed s_inst1/2 to key_index_1/2, including type, and added R_TSIP_UpdateTlsRsaPublicKeyIndex as target of key_index_1</li> </ul> |
| 1.10 | Jun. 30, 2020 | —           | <ul style="list-style-type: none"> <li>Added ECC P-384 key installation, key generation, and key update functionality</li> <li>Added ARC4 and ECDSA P-384 functionality</li> <li>Added ECDH P-256 functionality support for RX72M, RX66N, and RX72N</li> <li>Added key wrap functionality support for RX72M, RX66N, and RX72N</li> <li>Added ARC4 functionality and support for RX72N to demo project</li> <li>Deleted TSIP_USER_HASH_ENABLED configuration and user-defined function R_TSIP_RSA_IF_HASH used by RSA signature generation and verification functions</li> <li>Added TSIP_ECDSA_P384, TSIP_ECDH_P256, and TSIP_USER_SHA_384_ENABLED configurations</li> <li>Changed name of R_TSIP_EcdhXXX() ECDH key exchange function to R_TSIP_EcdhP256XXX()</li> <li>Changed ECC public key structure tsip_ecc_public_key_index_t</li> </ul>                                                                                                                                                                                                                                                                                                                                                                                                           |

| Rev. | Date          | Description |                                                                                                                                                                                                                                                                                                                                                                                                                                                      |
|------|---------------|-------------|------------------------------------------------------------------------------------------------------------------------------------------------------------------------------------------------------------------------------------------------------------------------------------------------------------------------------------------------------------------------------------------------------------------------------------------------------|
|      |               | Page        | Summary                                                                                                                                                                                                                                                                                                                                                                                                                                              |
| 1.11 | Sep. 30, 2020 | —           | <ul style="list-style-type: none"> <li>Added DH 2048-bit and ECDHE 512-bit functionality</li> <li>Unified the description of iv in Parameters for R_TSIP_GenerateXXXKeyIndex() and R_TSIP_UpdateXXXKeyIndex()</li> <li>Deleted ECDH (AES GCM 128 with IV) functionality from R_TSIP_EcdhP256Init()</li> <li>Changed R_TSIP_AesXXXKeyWrap() and R_TSIP_AesXXXKeyUnwrap() into API functions common to MCUs with TSIP-Lite and TSIP modules</li> </ul> |
| 1.12 | Jun. 30, 2021 | —           | Added AES cryptography project and TLS cooperation function project                                                                                                                                                                                                                                                                                                                                                                                  |
| 1.13 | Aug. 31, 2021 | —           | Added support for RX671                                                                                                                                                                                                                                                                                                                                                                                                                              |
| 1.14 | Oct. 22, 2021 | —           | Added support for TLS 1.3 (RX65N only)                                                                                                                                                                                                                                                                                                                                                                                                               |
| 1.15 | Mar. 31, 2022 | —           | <ul style="list-style-type: none"> <li>Added support for TLS 1.3 (RX66N, RX72M, and RX72N)</li> <li>Added support for TLS 1.2 RSA 4096-bit</li> <li>Added hash calculation-in-progress acquisition function</li> <li>Deleted reffolder, r_tsip_md5_rx.c, and r_tsip_sha_rx.c, and added r_tsip_hash_rx.c</li> </ul>                                                                                                                                  |
| 1.16 | Sep. 15, 2022 | —           | <ul style="list-style-type: none"> <li>Added support for TLS 1.3 (Resumption/0-RTT)</li> <li>Added support for AES-CTR</li> <li>Added support for RSA3072 and RSA4096</li> </ul>                                                                                                                                                                                                                                                                     |
| 1.17 | Jan. 20, 2023 | —           | <ul style="list-style-type: none"> <li>Revised section structure of application note</li> <li>Added support for TLS 1.3 server (RX65N and RX72N)</li> </ul>                                                                                                                                                                                                                                                                                          |
| 1.18 | May 24, 2023  | —           | Added support for RX26T                                                                                                                                                                                                                                                                                                                                                                                                                              |
| 1.19 | Nov. 30, 2023 | —           | Update example of Secure Bootloader / Firmware Update                                                                                                                                                                                                                                                                                                                                                                                                |
| 1.20 | Feb. 28, 2024 | —           | Applied software workaround to avoid the HW issue of AES-CCM decryption (TSIP-Lite)                                                                                                                                                                                                                                                                                                                                                                  |
| 1.21 | Jun. 28, 2024 | —           | <ul style="list-style-type: none"> <li>Added support for TLS 1.2 server (RX65N, RX66N, RX72M, and RX72N)</li> <li>Added supported public key type of R_TSIP_TlsServersEphemeralEcdhPublicKeyRetrieves</li> </ul>                                                                                                                                                                                                                                     |
| 1.22 | Apr. 10, 2025 | —           | <ul style="list-style-type: none"> <li>Added API functions for RSAES-OAEP</li> <li>Added an API function for key derivation to use in SSH</li> <li>Changed specification of Firmware Update APIs</li> <li>Updated explanation of Confirmation Operation of the Secure Bootloader and Firmware Update Demo Projects</li> <li>Deleted explanation of Renesas Secure Flash Programmer</li> </ul>                                                        |

# General Precautions in the Handling of Microprocessing Unit and Microcontroller Unit Products

The following usage notes are applicable to all Microprocessing unit and Microcontroller unit products from Renesas. For detailed usage notes on the products covered by this document, refer to the relevant sections of the document as well as any technical updates that have been issued for the products.

## 1. Precaution against Electrostatic Discharge (ESD)

A strong electrical field, when exposed to a CMOS device, can cause destruction of the gate oxide and ultimately degrade the device operation. Steps must be taken to stop the generation of static electricity as much as possible, and quickly dissipate it when it occurs. Environmental control must be adequate. When it is dry, a humidifier should be used. This is recommended to avoid using insulators that can easily build up static electricity. Semiconductor devices must be stored and transported in an anti-static container, static shielding bag or conductive material. All test and measurement tools including work benches and floors must be grounded. The operator must also be grounded using a wrist strap. Semiconductor devices must not be touched with bare hands. Similar precautions must be taken for printed circuit boards with mounted semiconductor devices.

## 2. Processing at power-on

The state of the product is undefined at the time when power is supplied. The states of internal circuits in the LSI are indeterminate and the states of register settings and pins are undefined at the time when power is supplied. In a finished product where the reset signal is applied to the external reset pin, the states of pins are not guaranteed from the time when power is supplied until the reset process is completed. In a similar way, the states of pins in a product that is reset by an on-chip power-on reset function are not guaranteed from the time when power is supplied until the power reaches the level at which resetting is specified.

## 3. Input of signal during power-off state

Do not input signals or an I/O pull-up power supply while the device is powered off. The current injection that results from input of such a signal or I/O pull-up power supply may cause malfunction and the abnormal current that passes in the device at this time may cause degradation of internal elements. Follow the guideline for input signal during power-off state as described in your product documentation.

## 4. Handling of unused pins

Handle unused pins in accordance with the directions given under handling of unused pins in the manual. The input pins of CMOS products are generally in the high-impedance state. In operation with an unused pin in the open-circuit state, extra electromagnetic noise is induced in the vicinity of the LSI, an associated shoot-through current flows internally, and malfunctions occur due to the false recognition of the pin state as an input signal become possible.

## 5. Clock signals

After applying a reset, only release the reset line after the operating clock signal becomes stable. When switching the clock signal during program execution, wait until the target clock signal is stabilized. When the clock signal is generated with an external resonator or from an external oscillator during a reset, ensure that the reset line is only released after full stabilization of the clock signal. Additionally, when switching to a clock signal produced with an external resonator or by an external oscillator while program execution is in progress, wait until the target clock signal is stable.

## 6. Voltage application waveform at input pin

Waveform distortion due to input noise or a reflected wave may cause malfunction. If the input of the CMOS device stays in the area between  $V_{IL}$  (Max.) and  $V_{IH}$  (Min.) due to noise, for example, the device may malfunction. Take care to prevent chattering noise from entering the device when the input level is fixed, and also in the transition period when the input level passes through the area between  $V_{IL}$  (Max.) and  $V_{IH}$  (Min.).

## 7. Prohibition of access to reserved addresses

Access to reserved addresses is prohibited. The reserved addresses are provided for possible future expansion of functions. Do not access these addresses as the correct operation of the LSI is not guaranteed.

## 8. Differences between products

Before changing from one product to another, for example to a product with a different part number, confirm that the change will not lead to problems. The characteristics of a microprocessing unit or microcontroller unit products in the same group but having a different part number might differ in terms of internal memory capacity, layout pattern, and other factors, which can affect the ranges of electrical characteristics, such as characteristic values, operating margins, immunity to noise, and amount of radiated noise. When changing to a product with a different part number, implement a system-evaluation test for the given product.



## Notice

1. Descriptions of circuits, software and other related information in this document are provided only to illustrate the operation of semiconductor products and application examples. You are fully responsible for the incorporation or any other use of the circuits, software, and information in the design of your product or system. Renesas Electronics disclaims any and all liability for any losses and damages incurred by you or third parties arising from the use of these circuits, software, or information.
2. Renesas Electronics hereby expressly disclaims any warranties against and liability for infringement or any other claims involving patents, copyrights, or other intellectual property rights of third parties, by or arising from the use of Renesas Electronics products or technical information described in this document, including but not limited to, the product data, drawings, charts, programs, algorithms, and application examples.
3. No license, express, implied or otherwise, is granted hereby under any patents, copyrights or other intellectual property rights of Renesas Electronics or others.
4. You shall be responsible for determining what licenses are required from any third parties, and obtaining such licenses for the lawful import, export, manufacture, sales, utilization, distribution or other disposal of any products incorporating Renesas Electronics products, if required.
5. You shall not alter, modify, copy, or reverse engineer any Renesas Electronics product, whether in whole or in part. Renesas Electronics disclaims any and all liability for any losses or damages incurred by you or third parties arising from such alteration, modification, copying or reverse engineering.
6. Renesas Electronics products are classified according to the following two quality grades: "Standard" and "High Quality". The intended applications for each Renesas Electronics product depends on the product's quality grade, as indicated below.
  - "Standard": Computers; office equipment; communications equipment; test and measurement equipment; audio and visual equipment; home electronic appliances; machine tools; personal electronic equipment; industrial robots; etc.
  - "High Quality": Transportation equipment (automobiles, trains, ships, etc.); traffic control (traffic lights); large-scale communication equipment; key financial terminal systems; safety control equipment; etc.Unless expressly designated as a high reliability product or a product for harsh environments in a Renesas Electronics data sheet or other Renesas Electronics document, Renesas Electronics products are not intended or authorized for use in products or systems that may pose a direct threat to human life or bodily injury (artificial life support devices or systems; surgical implantations; etc.), or may cause serious property damage (space system; undersea repeaters; nuclear power control systems; aircraft control systems; key plant systems; military equipment; etc.). Renesas Electronics disclaims any and all liability for any damages or losses incurred by you or any third parties arising from the use of any Renesas Electronics product that is inconsistent with any Renesas Electronics data sheet, user's manual or other Renesas Electronics document.
7. No semiconductor product is absolutely secure. Notwithstanding any security measures or features that may be implemented in Renesas Electronics hardware or software products, Renesas Electronics shall have absolutely no liability arising out of any vulnerability or security breach, including but not limited to any unauthorized access to or use of a Renesas Electronics product or a system that uses a Renesas Electronics product. RENESAS ELECTRONICS DOES NOT WARRANT OR GUARANTEE THAT RENESAS ELECTRONICS PRODUCTS, OR ANY SYSTEMS CREATED USING RENESAS ELECTRONICS PRODUCTS WILL BE INVULNERABLE OR FREE FROM CORRUPTION, ATTACK, VIRUSES, INTERFERENCE, HACKING, DATA LOSS OR THEFT, OR OTHER SECURITY INTRUSION ("Vulnerability Issues"). RENESAS ELECTRONICS DISCLAIMS ANY AND ALL RESPONSIBILITY OR LIABILITY ARISING FROM OR RELATED TO ANY VULNERABILITY ISSUES. FURTHERMORE, TO THE EXTENT PERMITTED BY APPLICABLE LAW, RENESAS ELECTRONICS DISCLAIMS ANY AND ALL WARRANTIES, EXPRESS OR IMPLIED, WITH RESPECT TO THIS DOCUMENT AND ANY RELATED OR ACCOMPANYING SOFTWARE OR HARDWARE, INCLUDING BUT NOT LIMITED TO THE IMPLIED WARRANTIES OF MERCHANTABILITY, OR FITNESS FOR A PARTICULAR PURPOSE.
8. When using Renesas Electronics products, refer to the latest product information (data sheets, user's manuals, application notes, "General Notes for Handling and Using Semiconductor Devices" in the reliability handbook, etc.), and ensure that usage conditions are within the ranges specified by Renesas Electronics with respect to maximum ratings, operating power supply voltage range, heat dissipation characteristics, installation, etc. Renesas Electronics disclaims any and all liability for any malfunctions, failure or accident arising out of the use of Renesas Electronics products outside of such specified ranges.
9. Although Renesas Electronics endeavors to improve the quality and reliability of Renesas Electronics products, semiconductor products have specific characteristics, such as the occurrence of failure at a certain rate and malfunctions under certain use conditions. Unless designated as a high reliability product or a product for harsh environments in a Renesas Electronics data sheet or other Renesas Electronics document, Renesas Electronics products are not subject to radiation resistance design. You are responsible for implementing safety measures to guard against the possibility of bodily injury, injury or damage caused by fire, and/or danger to the public in the event of a failure or malfunction of Renesas Electronics products, such as safety design for hardware and software, including but not limited to redundancy, fire control and malfunction prevention, appropriate treatment for aging degradation or any other appropriate measures. Because the evaluation of microcomputer software alone is very difficult and impractical, you are responsible for evaluating the safety of the final products or systems manufactured by you.
10. Please contact a Renesas Electronics sales office for details as to environmental matters such as the environmental compatibility of each Renesas Electronics product. You are responsible for carefully and sufficiently investigating applicable laws and regulations that regulate the inclusion or use of controlled substances, including without limitation, the EU RoHS Directive, and using Renesas Electronics products in compliance with all these applicable laws and regulations. Renesas Electronics disclaims any and all liability for damages or losses occurring as a result of your noncompliance with applicable laws and regulations.
11. Renesas Electronics products and technologies shall not be used for or incorporated into any products or systems whose manufacture, use, or sale is prohibited under any applicable domestic or foreign laws or regulations. You shall comply with any applicable export control laws and regulations promulgated and administered by the governments of any countries asserting jurisdiction over the parties or transactions.
12. It is the responsibility of the buyer or distributor of Renesas Electronics products, or any other party who distributes, disposes of, or otherwise sells or transfers the product to a third party, to notify such third party in advance of the contents and conditions set forth in this document.
13. This document shall not be reprinted, reproduced or duplicated in any form, in whole or in part, without prior written consent of Renesas Electronics.
14. Please contact a Renesas Electronics sales office if you have any questions regarding the information contained in this document or Renesas Electronics products.

(Note1) "Renesas Electronics" as used in this document means Renesas Electronics Corporation and also includes its directly or indirectly controlled subsidiaries.

(Note2) "Renesas Electronics product(s)" means any product developed or manufactured by or for Renesas Electronics.

(Rev.5.0-1 October 2020)

## Corporate Headquarters

TOYOSU FORESIA, 3-2-24 Toyosu,  
Koto-ku, Tokyo 135-0061, Japan

[www.renesas.com](http://www.renesas.com)

## Trademarks

Renesas and the Renesas logo are trademarks of Renesas Electronics Corporation. All trademarks and registered trademarks are the property of their respective owners.

## Contact information

For further information on a product, technology, the most up-to-date version of a document, or your nearest sales office, please visit:

[www.renesas.com/contact/](http://www.renesas.com/contact/).