

Application Note

DA9062/3 VBBAT Current in RTC or DELIVERY Modes

AN-PM-068

Abstract

This document describes a potential issue that may lead to increased current in RTC mode and DELIVERY mode. A workaround is described.

DA9062/3 VBBAT Current in RTC or DELIVERY Modes

Contents

Abstract	1
Contents	2
Figures.....	2
Terms and Definitions.....	2
1 Introduction.....	3
2 Description.....	3
3 Workaround	3
3.1 Measurement Results	5
4 Conclusion	6
Revision History	7

Figures

Figure 1: Conceptual Block-Level Diagram.....	3
Figure 2: Practical Circuit Example	4
Figure 3: I_{VBBAT} Current Consumption Without the Workaround, Showing Normal and Floating State Currents.....	5
Figure 4: I_{VBBAT} and $I_{V_{SYS}}$ Current Consumption, With the Proposed Workaround	6

Terms and Definitions

PMIC	Power Management Integrated Circuit
DA9062/3	Dialog DA9062 and DA9063 PMIC devices
RT	Room Temperature

DA9062/3 VBBAT Current in RTC or DELIVERY Modes

1 Introduction

Dialog has identified a condition where increased VBBAT current consumption may be observed when the DA9062/3 enters RTC mode or DELIVERY mode with the VSYS voltage below 1 V.

2 Description

In RTC mode and DELIVERY mode with the VSYS voltage below 1 V, it may be observed that the VBBAT current slowly ramps up over time from the normal specified value to several tens of microamps. The magnitude of the current depends on normal silicon process and temperature variations. This application note applies only when VSYS is below approximately 1 V.

The Dialog DA9062/3 PMICs can enter the RTC mode of operation in three different ways:

1. Unconditionally when the VBBAT (backup battery supply) is the only available voltage source in the system (no main battery).
2. If the RTC_MODE_PD control bit is set (from OTP or host) and the main PMIC control logic reaches the POWERDOWN state during a power-down sequence.
3. If RTC_MODE_SD control bit is set (from OTP or host) and the main PMIC control logic reaches the SHUTDOWN state during a shutdown sequence and the system voltage $VSYS < VDD_FAULT_LOWER$.

3 Workaround

Figure 1 shows a simplified block diagram to create a stable VBBAT current consumption in RTC mode.

The goal is to ensure the VSYS voltage supply is around 1 V at room temperature. At this voltage, the circuit nodes, which lead to an increased I_{VBBAT} current, are prevented from floating.

The block diagram below shows the DELIVERY mode scenario, where the VBBAT backup battery supply is the only available voltage source in the system (in other words, there is no main battery). The circuit is able to maintain the VSYS supply above 1 V at room temperature which results in a stable VBBAT current consumption.

Figure 1 provides a workaround for scenarios using a rechargeable backup battery.

The value of R in Figure 1 below should be adjusted according to the circuit configuration. The value of R may have to be reduced to account for any additional leakage due to additional loading on the VSYS rail.

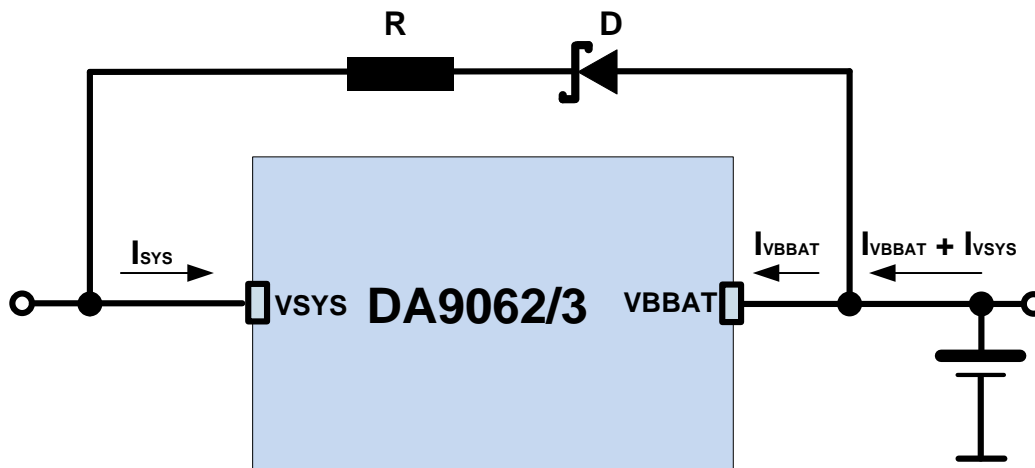


Figure 1: Conceptual Block-Level Diagram

DA9062/3 VBBAT Current in RTC or DELIVERY Modes

Figure 2, below, shows a circuit suitable for a primary, non-rechargeable backup battery. This circuit should create a stable VBBAT current consumption in RTC mode. Table 1 lists the external components required for a practical circuit.

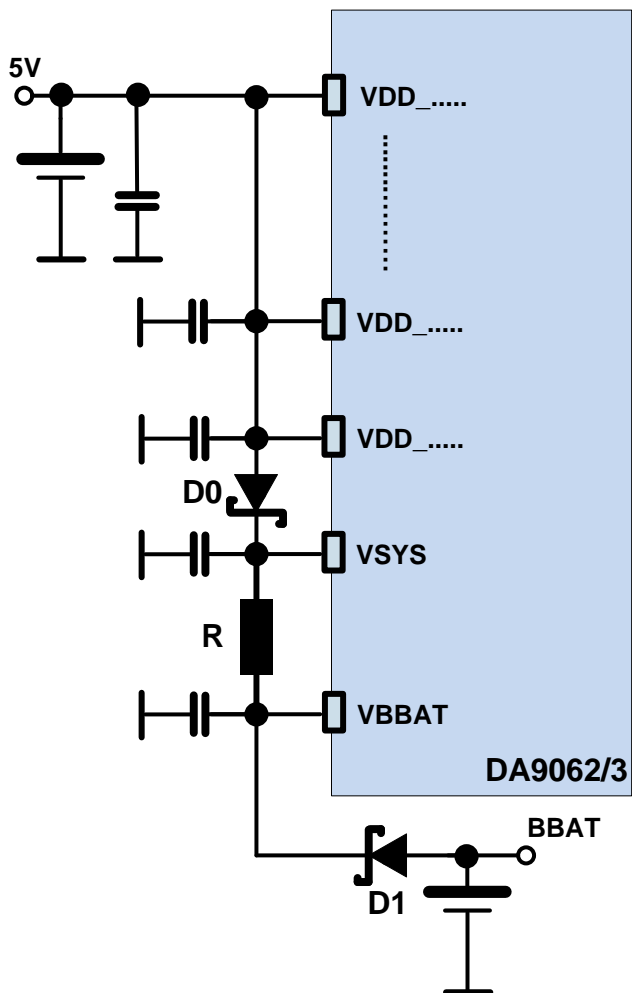


Figure 2: Practical Circuit Example

Diode D0 in Figure 2 provides additional isolation between the main 5 V rail and the VSYS pin. This isolation reduces the risk of additional leakage. However, it should be considered whether the forward voltage of the diode may impact the VSYS operating range. Selection of a suitable Schottky component must also ensure that the datasheet specification for VDD(max) is not exceeded.

Table 1: List of External Components

Name	Type	Notes
R	1.5 MΩ	Bias resistor to define VSYS voltage above 1 V at room temperature
D0	Schottky	Supply voltage decoupling diode
D1	Schottky	Supply voltage decoupling diode for VSYS above VBBAT

DA9062/3 VBBAT Current in RTC or DELIVERY Modes

3.1 Measurement Results

Figure 3 and Figure 4 show a current consumption measurement in RTC mode, where the increased current consumption is observed. In most cases, the increased current consumption is only observed after several hours.

The plots below show the use of temperature cycling to accelerate the triggering of the floating state and to compare the current consumption measurements with and without external workaround.

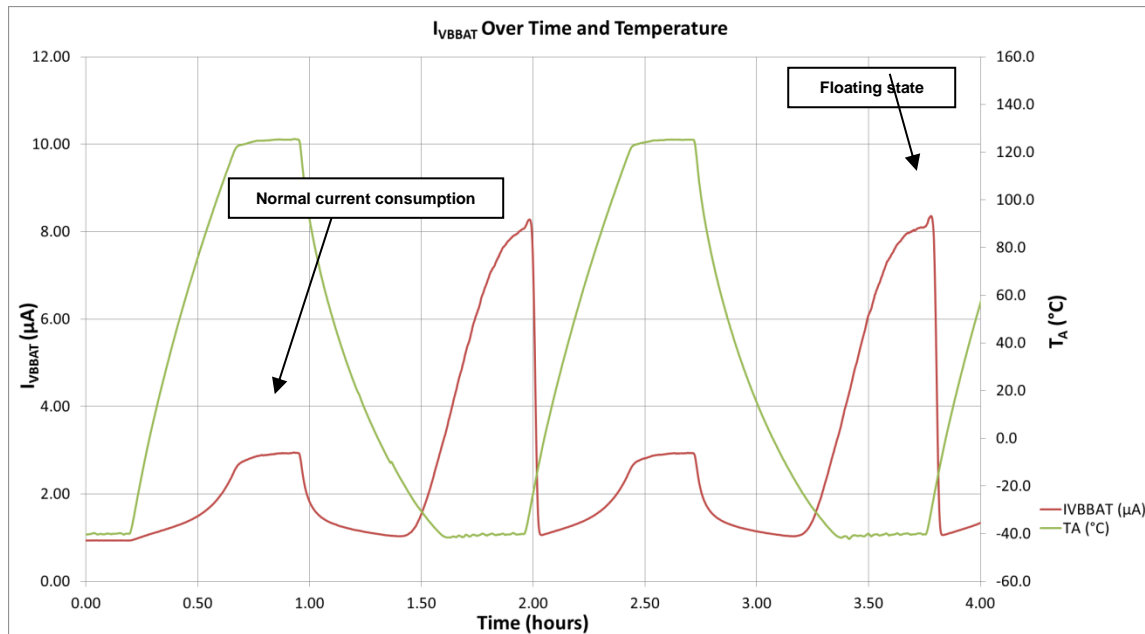


Figure 3: I_{VBBAT} Current Consumption Without the Workaround, Showing Normal and Floating State Currents

DA9062/3 VBBAT Current in RTC or DELIVERY Modes

Figure 4 shows the current consumption measurement result in RTC mode (Figure 1) including the workaround to avoid floating states in the VBBAT voltage domain. The VBBAT current consumption including the workaround only exhibits the normal temperature-dependant variation.

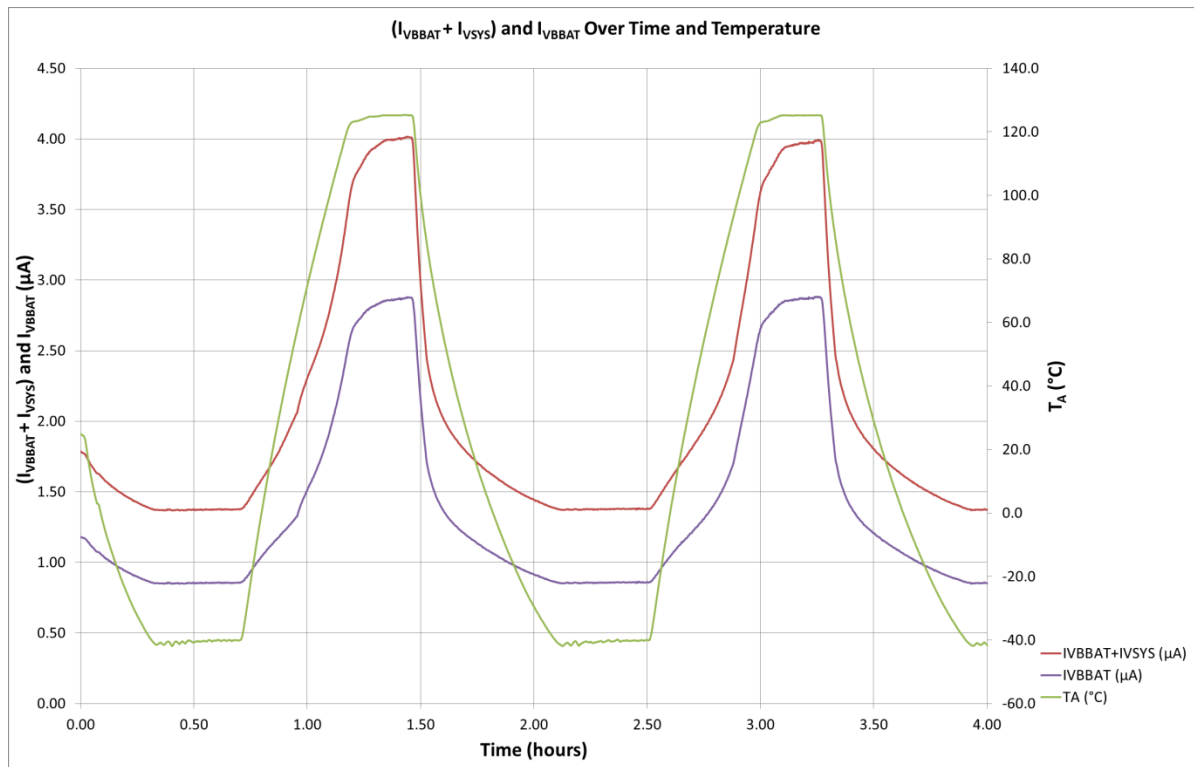


Figure 4: I_{VBBAT} and I_{VSYS} Current Consumption, With the Proposed Workaround

Table 2: Backup Battery Current for Lifetime Estimation

Condition	T_A (°C)	$I_{VBBAT} + I_{VSYS}$ (µA)
Typical	25	2.0
Worst-case	125	6.4

4 Conclusion

The DA9062/3 may exhibit higher than expected I_{VBBAT} current consumption in either RTC or DELIVERY modes. The addition of a simple workaround can limit this additional current.

For further support for applications using RTC or DELIVERY modes, please contact your local Dialog Applications representative.

DA9062/3 VBBAT Current in RTC or DELIVERY Modes**Revision History**

Revision	Date	Description
1.0	17- Nov-2015	Initial version
1.1	27- Nov-2017	Minor updates and clarification
1.2	17-Feb-2022	File was rebranded with new logo, copyright and disclaimer

DA9062/3 VBBAT Current in RTC or DELIVERY Modes

Status Definitions

Status	Definition
DRAFT	The content of this document is under review and subject to formal approval, which may result in modifications or additions.
APPROVED or unmarked	The content of this document has been approved for publication.

RoHS Compliance

Dialog Semiconductor's suppliers certify that its products are in compliance with the requirements of Directive 2011/65/EU of the European Parliament on the restriction of the use of certain hazardous substances in electrical and electronic equipment. RoHS certificates from our suppliers are available on request.

IMPORTANT NOTICE AND DISCLAIMER

RENESAS ELECTRONICS CORPORATION AND ITS SUBSIDIARIES (“RENESAS”) PROVIDES TECHNICAL SPECIFICATIONS AND RELIABILITY DATA (INCLUDING DATASHEETS), DESIGN RESOURCES (INCLUDING REFERENCE DESIGNS), APPLICATION OR OTHER DESIGN ADVICE, WEB TOOLS, SAFETY INFORMATION, AND OTHER RESOURCES “AS IS” AND WITH ALL FAULTS, AND DISCLAIMS ALL WARRANTIES, EXPRESS OR IMPLIED, INCLUDING, WITHOUT LIMITATION, ANY IMPLIED WARRANTIES OF MERCHANTABILITY, FITNESS FOR A PARTICULAR PURPOSE, OR NON-INFRINGEMENT OF THIRD-PARTY INTELLECTUAL PROPERTY RIGHTS.

These resources are intended for developers who are designing with Renesas products. You are solely responsible for (1) selecting the appropriate products for your application, (2) designing, validating, and testing your application, and (3) ensuring your application meets applicable standards, and any other safety, security, or other requirements. These resources are subject to change without notice. Renesas grants you permission to use these resources only to develop an application that uses Renesas products. Other reproduction or use of these resources is strictly prohibited. No license is granted to any other Renesas intellectual property or to any third-party intellectual property. Renesas disclaims responsibility for, and you will fully indemnify Renesas and its representatives against, any claims, damages, costs, losses, or liabilities arising from your use of these resources. Renesas' products are provided only subject to Renesas' Terms and Conditions of Sale or other applicable terms agreed to in writing. No use of any Renesas resources expands or otherwise alters any applicable warranties or warranty disclaimers for these products.

(Disclaimer Rev.1.01)

Corporate Headquarters

TOYOSU FORESIA, 3-2-24 Toyosu,
Koto-ku, Tokyo 135-0061, Japan
www.renesas.com

Trademarks

Renesas and the Renesas logo are trademarks of Renesas Electronics Corporation. All trademarks and registered trademarks are the property of their respective owners.

Contact Information

For further information on a product, technology, the most up-to-date version of a document, or your nearest sales office, please visit www.renesas.com/contact-us/.