

演示板說明

此 Demo 板由福州新拓电子科技有限公司設計製造。演示了 silego 的 GreenFET3 和 GreenPAK2 產品如何應用於 LED 調光驅動器。產品外觀如下圖所示。

通過 microUSB 插口接入 5V 電源。電源開關為自鎖開關，控制 GreenFET3 的導通和關斷；導通時，電源指示燈（紅色）亮起，5V 電源輸出至 GreenPAK2。旋轉亮度旋鈕（順時針為增大），可以控制 LED 燈的亮度，3 個亮度檔位燈（綠色）指示當前亮度值。注：由於 LED 燈光線很強，請勿直視，以免傷害眼睛。



图 1. LED 調光驅動器

GreenFET3 演示

SLG59M301V，是一款集成電荷泵與 N-MOSFET 的晶片，本演示板，演示了如何用 N-MOSFET 代替 P-MOSFET，用於低電壓控制開關中。

特點：

N-MOSFET 成本比 P-MOSFET 低

N-MOSFET 的導通電阻比 P-MOSFET 低，帶來更少的損耗

集成電荷泵，可用較低電壓控制導通關斷，使用方便。

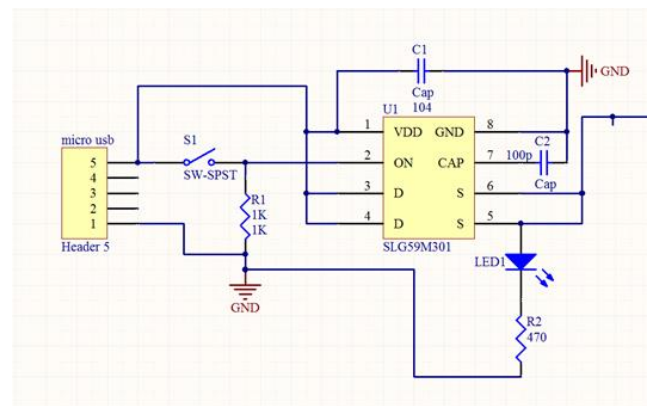


图 2. GreenFET 演示板

GreenPAK2 演示

GreenPAK2 是一款可程式設計混合信號陣列，內部包含 PWM、ADC、比較器、運算放大器、電壓基準源、時鐘發生器等功能模組。具有成本低、開發簡單、運行速度快、可靠性高等特點。

該演示板，演示利用晶片內部的時鐘發生器、計數器、ADC、PWM、比較器、電壓基準、數位門電路等，實現 LED 軟啟動功能。通過 GreenPAK2 開發平臺，以所見即所得的方式快速開發。無需編寫複雜代碼，可靠性高，難於破解等。

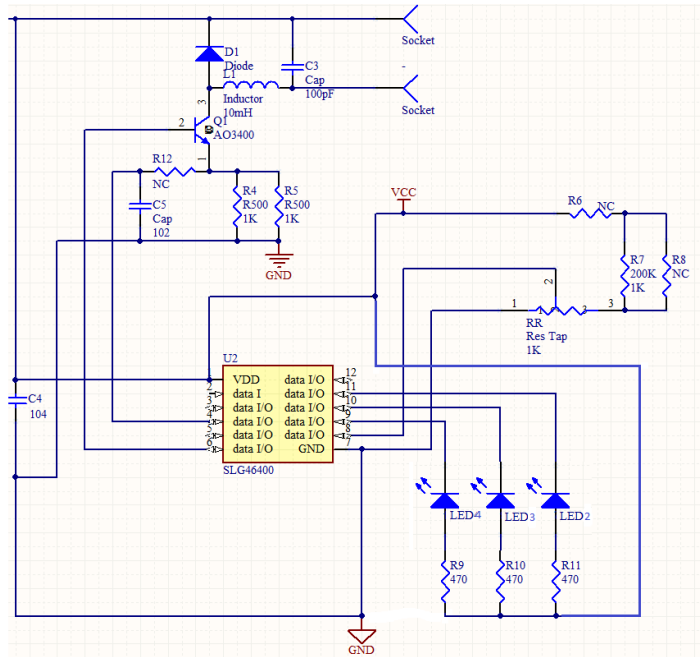


图 3. GreenPAK 演示

下圖是 GreenPAK2 開發平臺

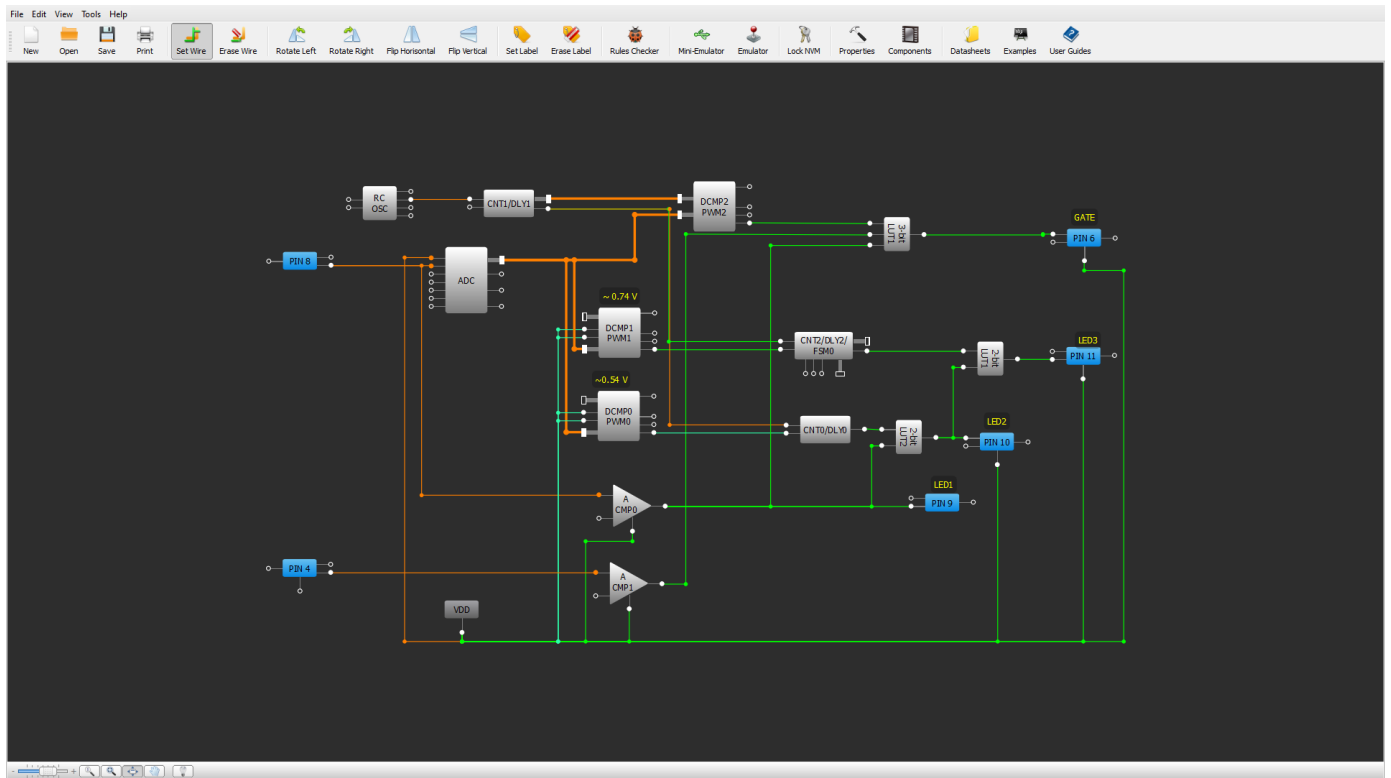


图 4. GreenPAK2 開發平臺

文档历史

文档: 演示板說明

文档编号: AN - 1007

修订	修改人	呈递日期	修改描述
A	Peter Zheng	12/5/2013	新应用实例

IMPORTANT NOTICE AND DISCLAIMER

RENESAS ELECTRONICS CORPORATION AND ITS SUBSIDIARIES (“RENESAS”) PROVIDES TECHNICAL SPECIFICATIONS AND RELIABILITY DATA (INCLUDING DATASHEETS), DESIGN RESOURCES (INCLUDING REFERENCE DESIGNS), APPLICATION OR OTHER DESIGN ADVICE, WEB TOOLS, SAFETY INFORMATION, AND OTHER RESOURCES “AS IS” AND WITH ALL FAULTS, AND DISCLAIMS ALL WARRANTIES, EXPRESS OR IMPLIED, INCLUDING, WITHOUT LIMITATION, ANY IMPLIED WARRANTIES OF MERCHANTABILITY, FITNESS FOR A PARTICULAR PURPOSE, OR NON-INFRINGEMENT OF THIRD-PARTY INTELLECTUAL PROPERTY RIGHTS.

These resources are intended for developers who are designing with Renesas products. You are solely responsible for (1) selecting the appropriate products for your application, (2) designing, validating, and testing your application, and (3) ensuring your application meets applicable standards, and any other safety, security, or other requirements. These resources are subject to change without notice. Renesas grants you permission to use these resources only to develop an application that uses Renesas products. Other reproduction or use of these resources is strictly prohibited. No license is granted to any other Renesas intellectual property or to any third-party intellectual property. Renesas disclaims responsibility for, and you will fully indemnify Renesas and its representatives against, any claims, damages, costs, losses, or liabilities arising from your use of these resources. Renesas' products are provided only subject to Renesas' Terms and Conditions of Sale or other applicable terms agreed to in writing. No use of any Renesas resources expands or otherwise alters any applicable warranties or warranty disclaimers for these products.

(Disclaimer Rev.1.01)

Corporate Headquarters

TOYOSU FORESIA, 3-2-24 Toyosu,
Koto-ku, Tokyo 135-0061, Japan
www.renesas.com

Trademarks

Renesas and the Renesas logo are trademarks of Renesas Electronics Corporation. All trademarks and registered trademarks are the property of their respective owners.

Contact Information

For further information on a product, technology, the most up-to-date version of a document, or your nearest sales office, please visit www.renesas.com/contact-us/.