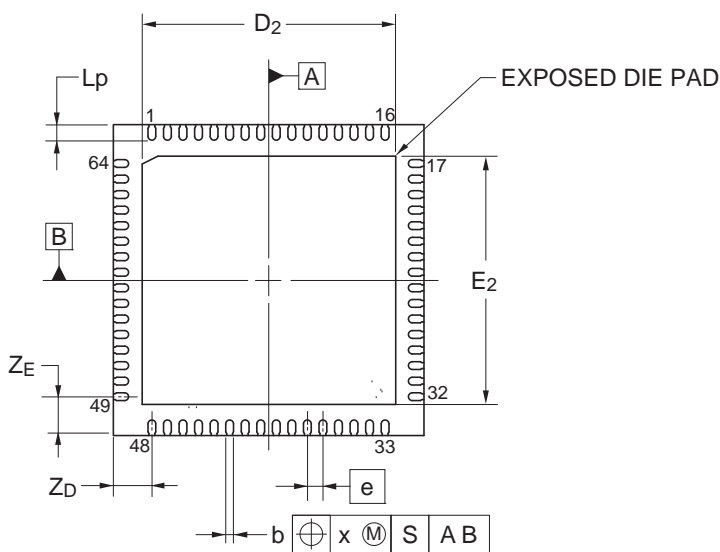
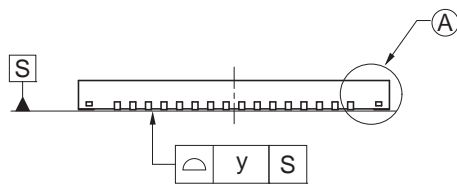
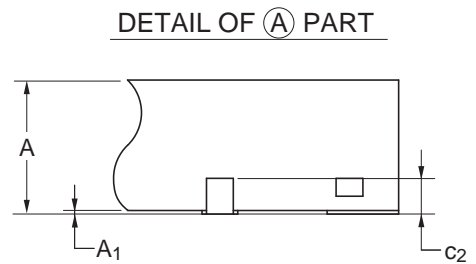
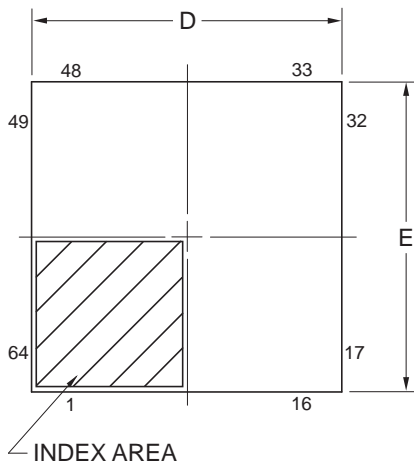


JEITA Package Code	RENESAS Code	Previous Code	MASS (Typ) [g]
P-HWQFN64-8x8-0.40	PWQN0064LA-A	P64K8-40-9B5-4	0.16

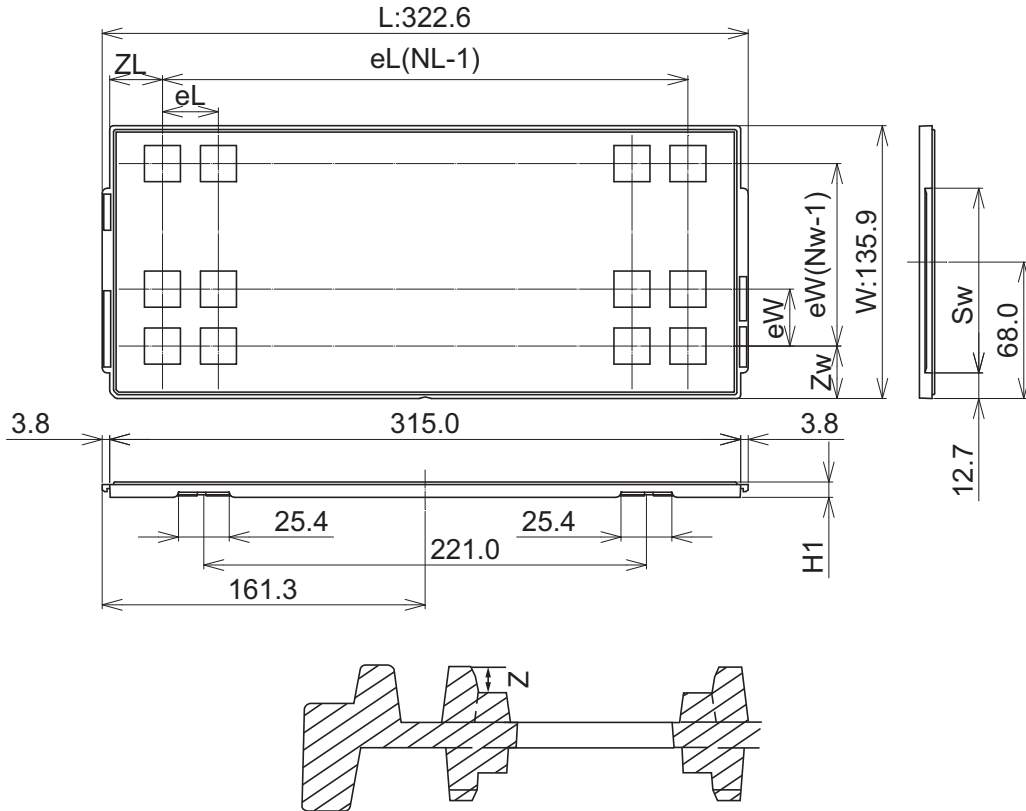
Unit: mm



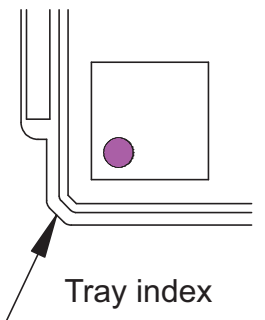
Reference Symbol	Dimensions in millimeters		
	Min	Nom	Max
D	7.95	8.00	8.05
E	7.95	8.00	8.05
A	—	—	0.80
A ₁	0.00	—	—
b	0.17	0.20	0.23
e	—	0.40	—
L _p	0.30	0.40	0.50
x	—	—	0.05
y	—	—	0.05
Z _D	—	1.00	—
Z _E	—	1.00	—
c ₂	0.15	0.20	0.25
D ₂	—	6.50	—
E ₂	—	6.50	—

**Packing Specification
Tray Outline Drawing
EAM0808-10 Rev.A**

Unit: mm



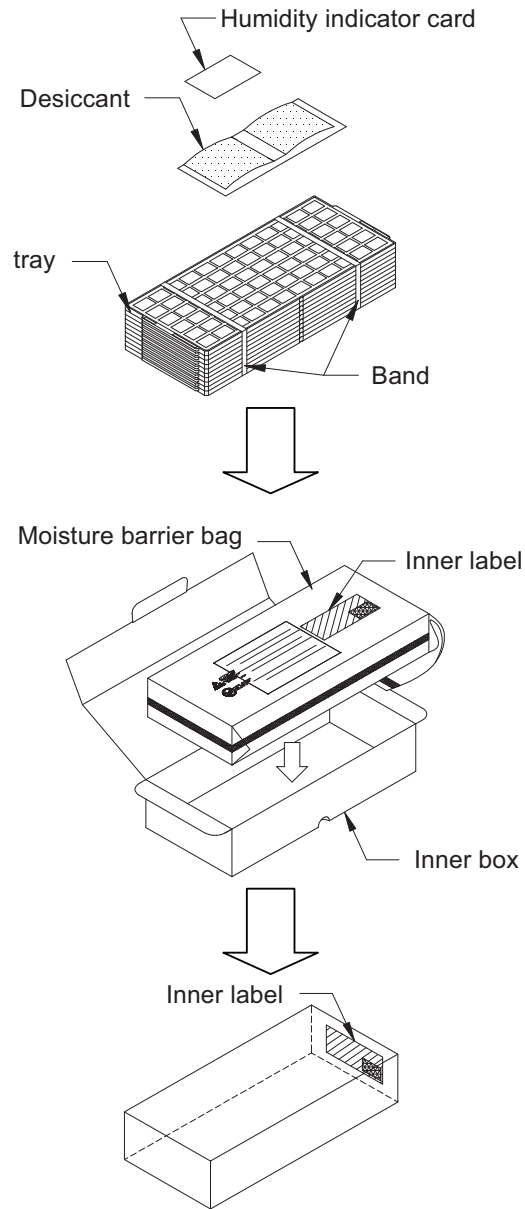
The pin1 is located in the hatching portion.



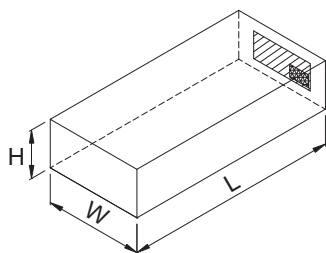
Tray Code		EAM0808-10 Rev.A
Position dimension of cells	Z	1.45
	Zw	10.35
	ZL	10.00
	eW	12.80
	eL	11.80
	Sw	92.1
Thickness (mm)	H1	7.62
Number of cells	Nw	10
	NL	26
Maximum storage pcs. IC/Tray		260
Maximum storage pcs. IC/Inner box		1300
Material		Carbon PPE
Heat resistant temperature		150°C MAX
JEDEC or Custom		JEDEC
Surface resistance		Less than $1 \times 10^{11} \Omega/\square$

RDK-H-000503

Packing Specification
Tray Packing
(Complete dry pack)



Inner box size



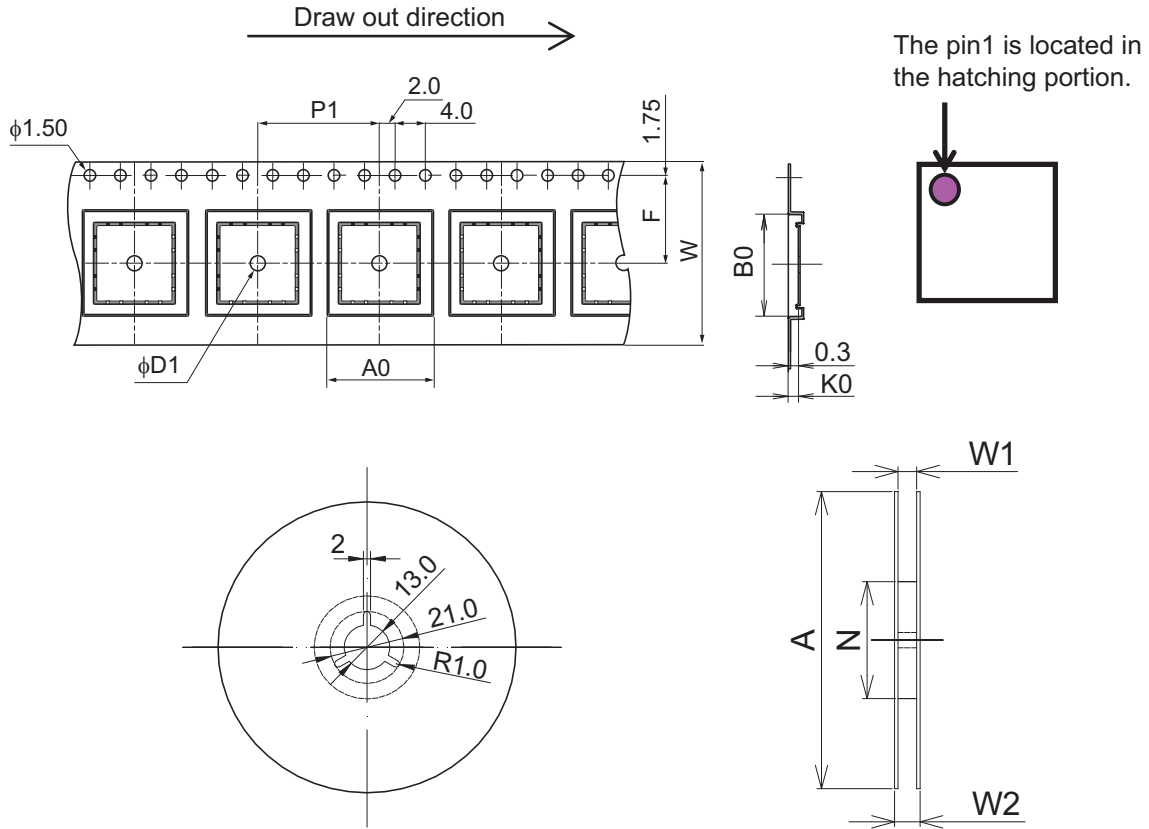
Unit: mm

L	W	H
330	152	75

RDK-H-000216

Packing Specification
Tape & Reel Outline Drawing
E24x16-B2CA

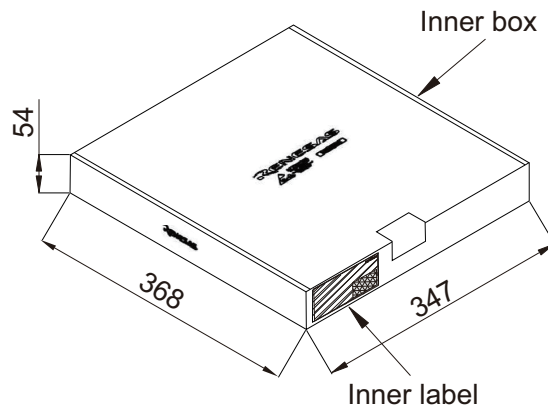
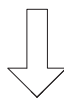
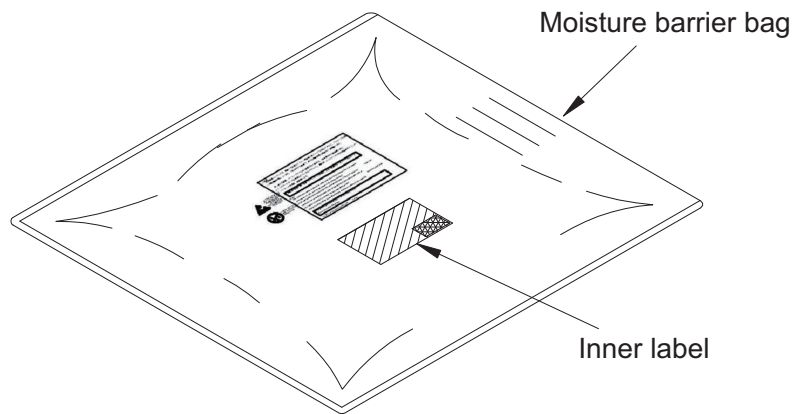
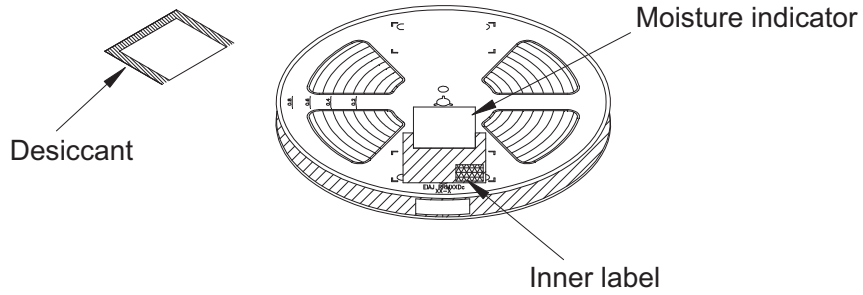
Unit: mm



Tape Code		E24x16-B2CA
Tape Dimensions (mm)	W	24.0
	P1	16.0
	A0	13.45
	B0	13.45
	K0	1.4
	F	11.5
	D1	2.0
Reel Dimensions (mm)	A	330
	N	100
	W1	25.5
	W2	29.5
Maximum storage No. IC/ Reel		1000
Material		Carbon PS
Surface resistance		Less than $1 \times 10^{11} \Omega/\square$

RDK-H-001537

**Packing Specification
Tape & Reel Packing
(Tape dry pack)**



RDK-H-000152

© 2017 Renesas Electronics Corporation. All rights reserved.