

To our customers,

Old Company Name in Catalogs and Other Documents

On April 1st, 2010, NEC Electronics Corporation merged with Renesas Technology Corporation, and Renesas Electronics Corporation took over all the business of both companies. Therefore, although the old company name remains in this document, it is a valid Renesas Electronics document. We appreciate your understanding.

Renesas Electronics website: <http://www.renesas.com>

April 1st, 2010
Renesas Electronics Corporation

Issued by: Renesas Electronics Corporation (<http://www.renesas.com>)

Send any inquiries to <http://www.renesas.com/inquiry>.

MESC TECHNICAL NEWS

No.M16C-11-9710

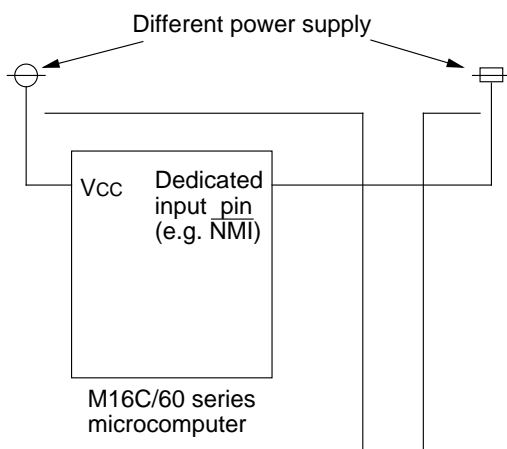
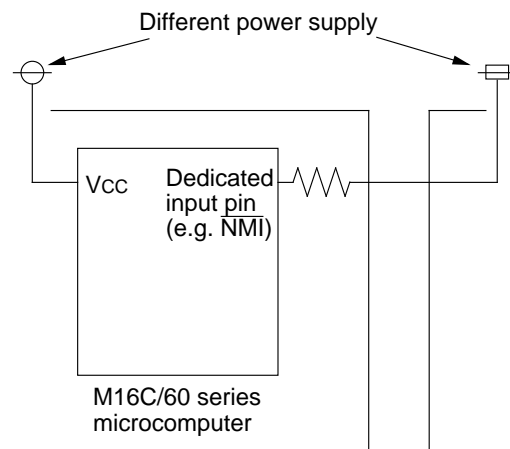
Note on dedicated input pin of the M16C/60 series MCU

1. Related devices

M16C/60 series

2. Note on dedicated input pin

When different power supplied to the system as shown in figure 1, and input voltage of unused dedicated input pin is larger than voltage of VCC pin, do not connect dedicated input pin and power supply directly. Connect to VCC via resistor (approximately 1kohm) as shown in figure 2. This note is also applicable when V_{INPUT} exceeds V_{CC} during power-up.

**Figure 1. Circuit diagram****Figure 2. Improved circuit diagram**

* The resistor is not necessary when VCC pin voltage is same or larger than dedicated input pin voltage.

3. Cause

When dedicated input pin voltage is larger than VCC pin voltage, latch up occurs.