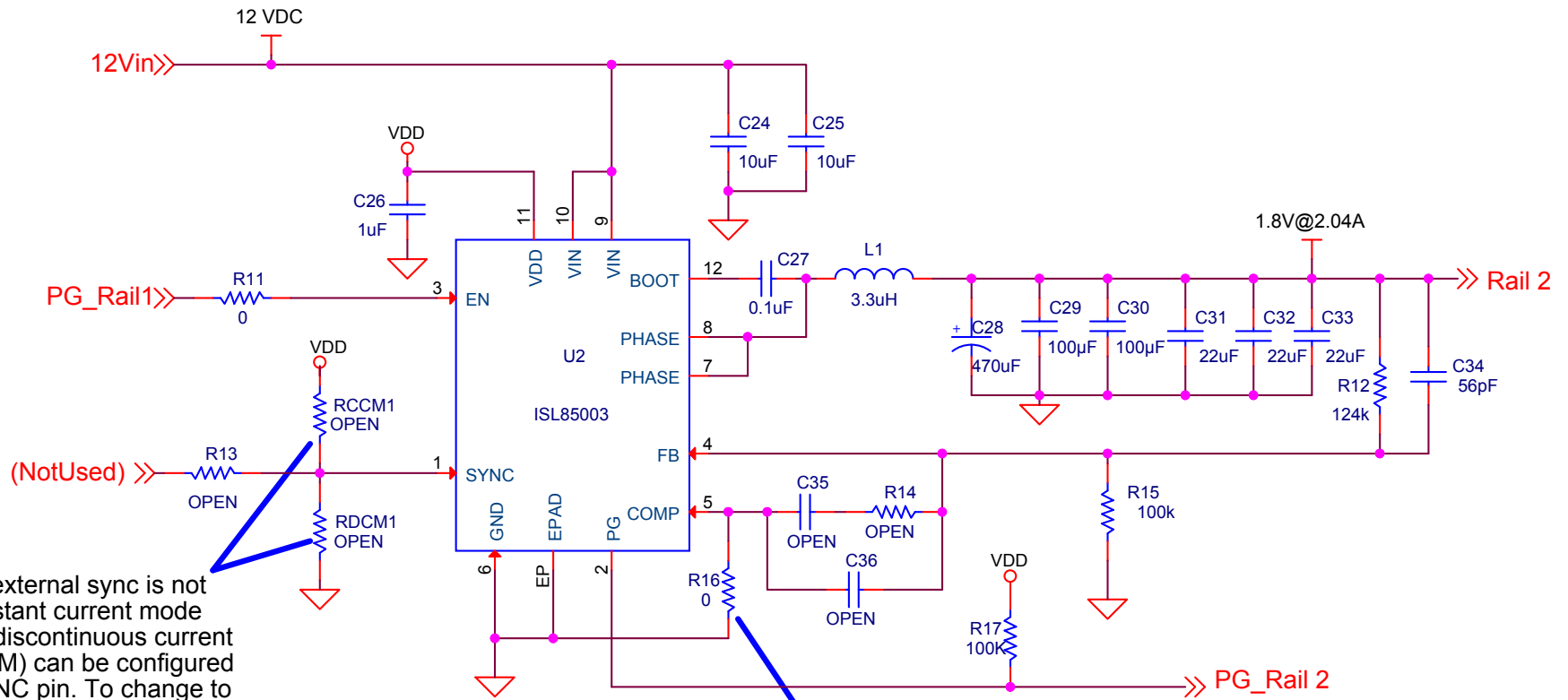


ISL85003 SINGLE OUTPUT (3A)



When an external sync is not used, constant current mode (CCM) or discontinuous current mode (DCM) can be configured on the SYNC pin. To change to DCM mode, remove RCCM, and change RDCM to 0 ohms.

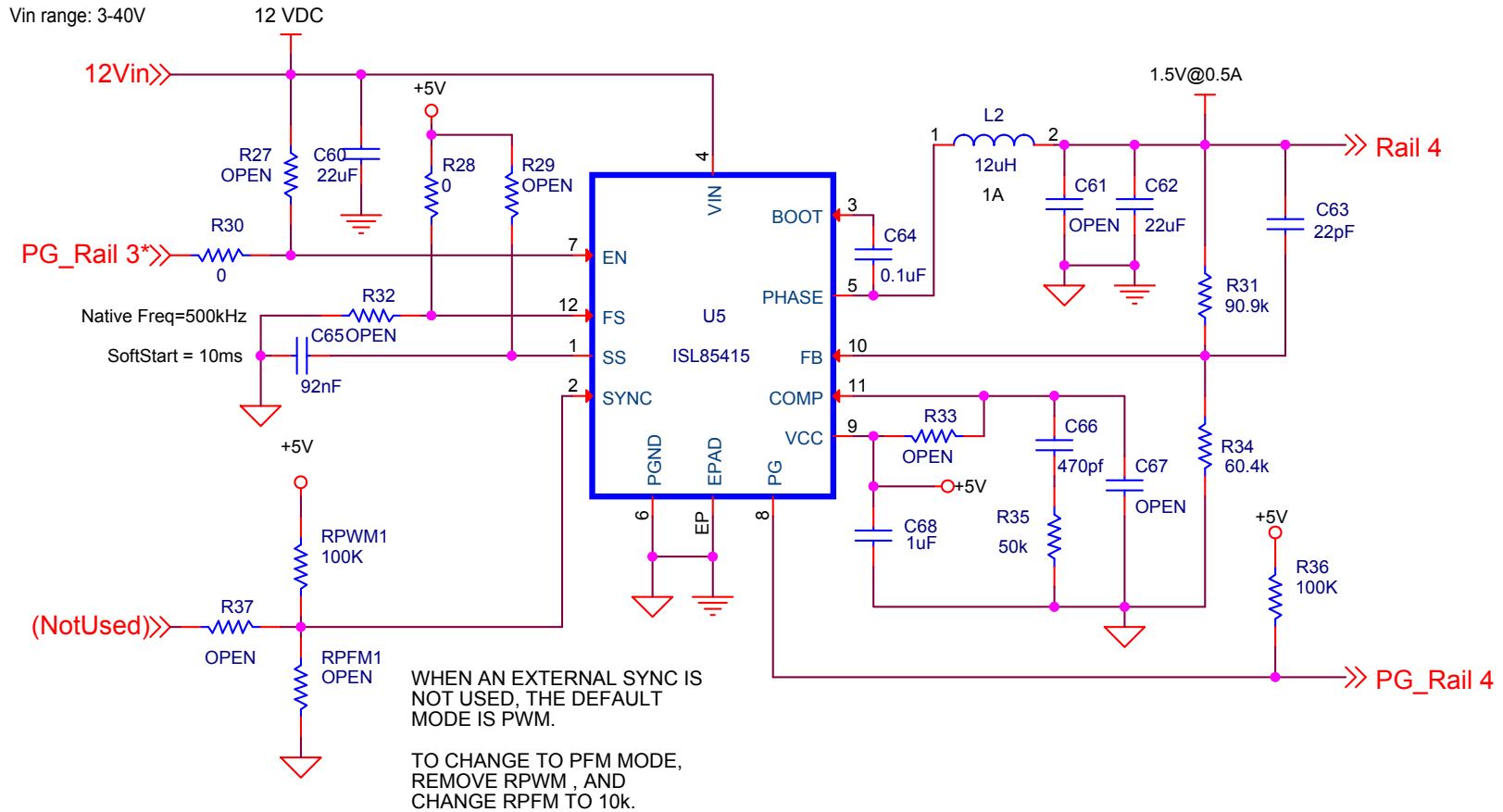
If custom compensation is desired, remove the ground connection on the COMP pin to enable external compensation.

OPEN value components on the COMP pin are place holders if external compensation is used.

Programmable Soft Start is available in the ISL85003A (without synchronization)

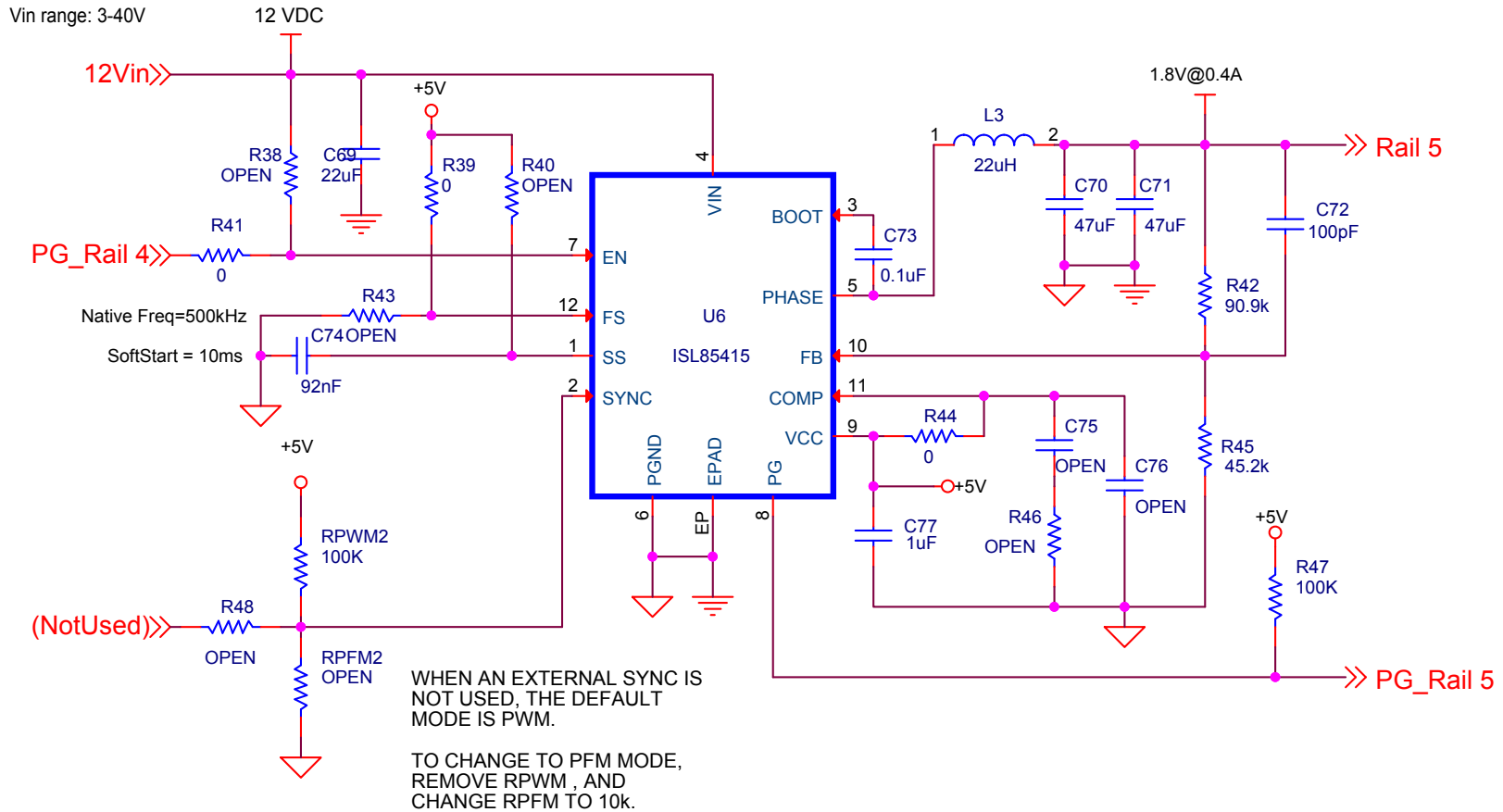
Title		
ISL85003-SINGLE-1		
Size	Document Number	Rev
A	<Doc>	<Rev Co
Date:	Thursday, March 09, 2017	Sheet 3 of 11

ISL85415 SINGLE OUTPUT (500mA)



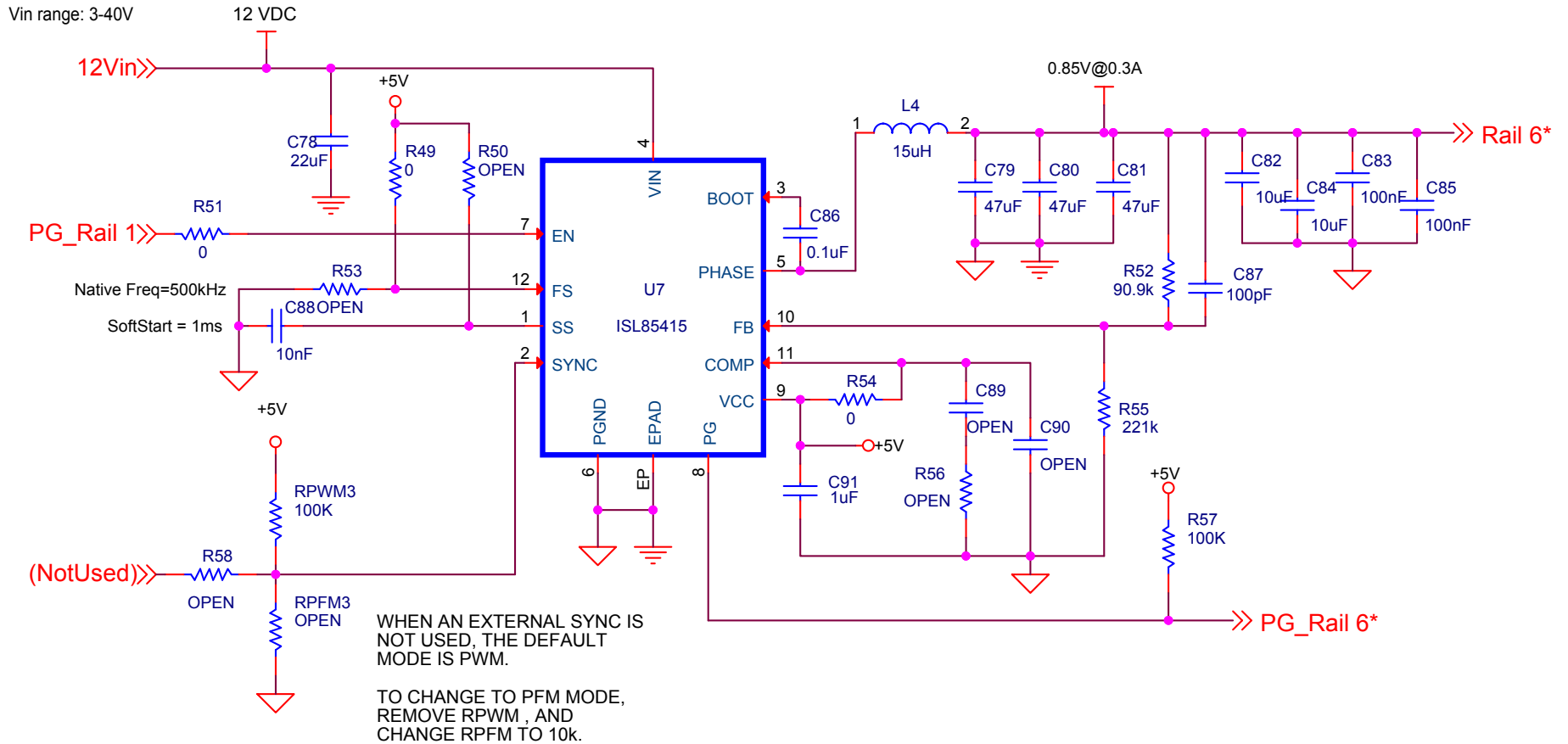
Title		
ISL85415-SINGLE-1		
Size A	Document Number	Rev
Date:	Thursday, March 09, 2017	Sheet 5 of 11

ISL85415 SINGLE OUTPUT (500mA)



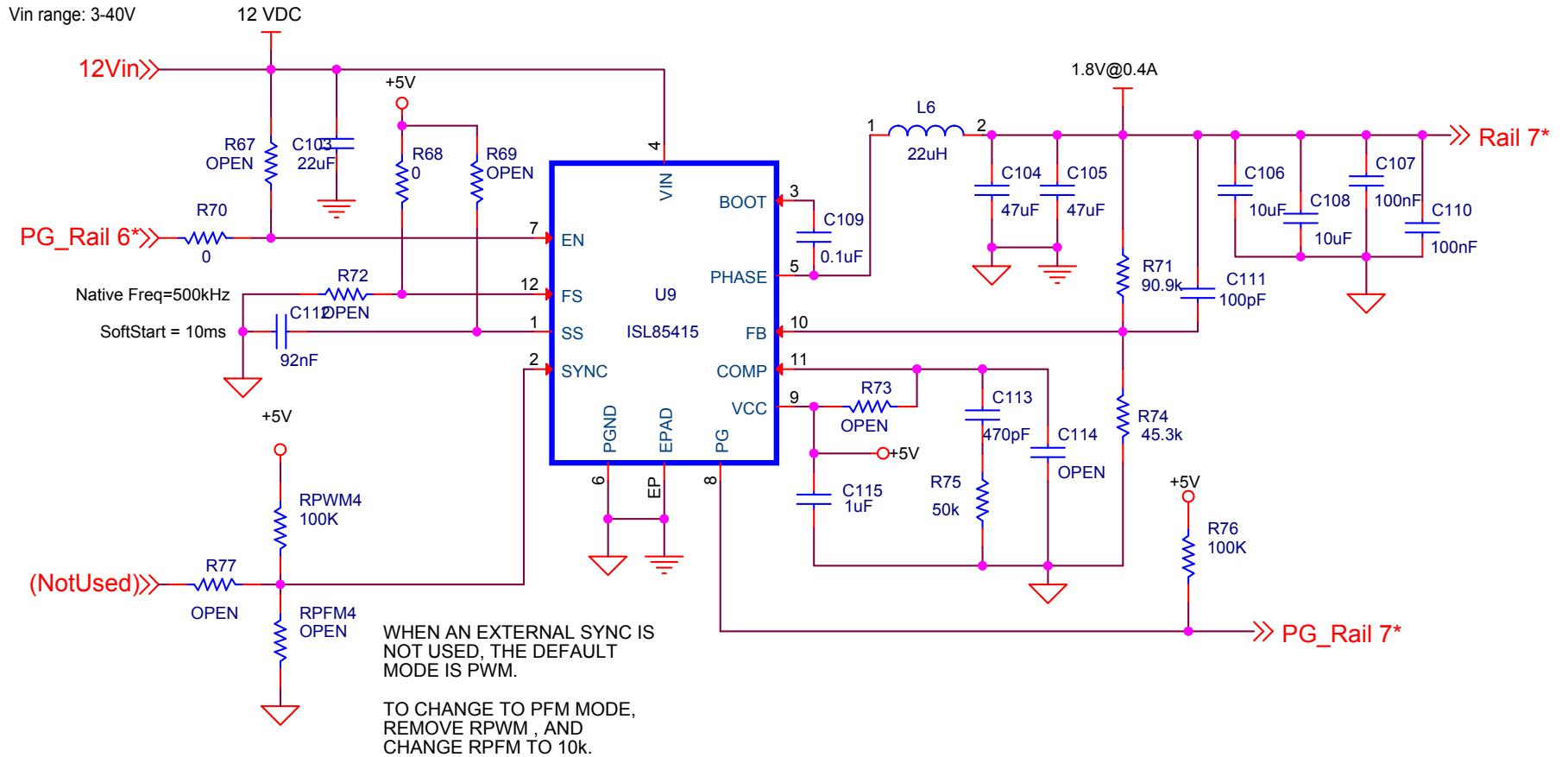
Title		
ISL85415-SINGLE-1		
Size A	Document Number	Rev
Date:	Thursday, March 09, 2017	Sheet 6 of 11

ISL85415 SINGLE OUTPUT (500mA)



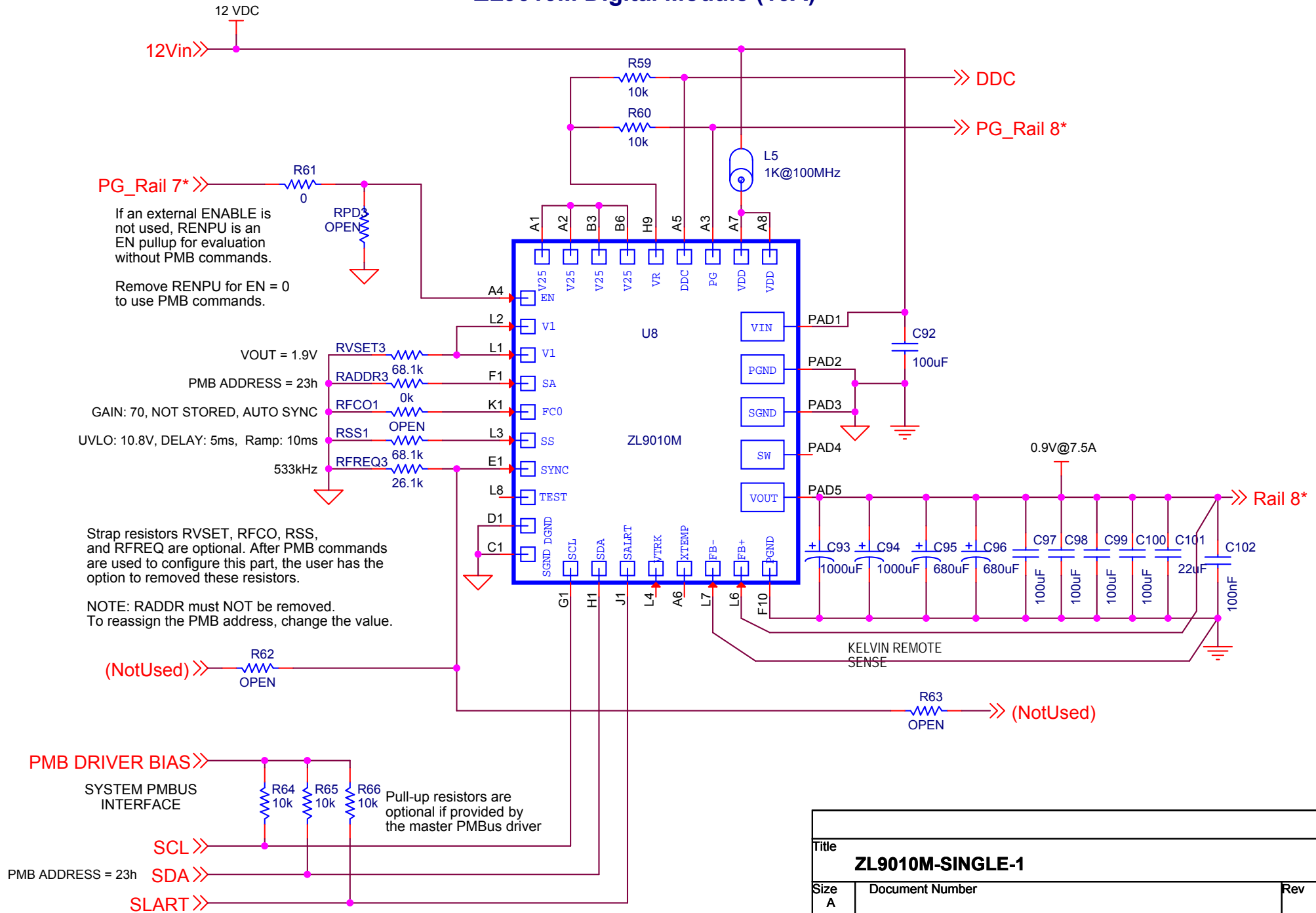
Title		
ISL85415-SINGLE-1		
Size A	Document Number	Rev
Date:	Thursday, March 09, 2017	Sheet 7 of 11

ISL85415 SINGLE OUTPUT (500mA)



Title		
ISL85415-SINGLE-1		
Size A	Document Number	Rev
Date:	Tuesday, March 14, 2017	Sheet 8 of 11

ZL9010M Digital Module (10A)



If an external ENABLE is not used, RENPU is an EN pullup for evaluation without PMB commands.
 Remove RENPU for EN = 0 to use PMB commands.

VOUT = 1.9V
 PMB ADDRESS = 23h
 GAIN: 70, NOT STORED, AUTO SYNC
 UVLO: 10.8V, DELAY: 5ms, Ramp: 10ms
 533kHz

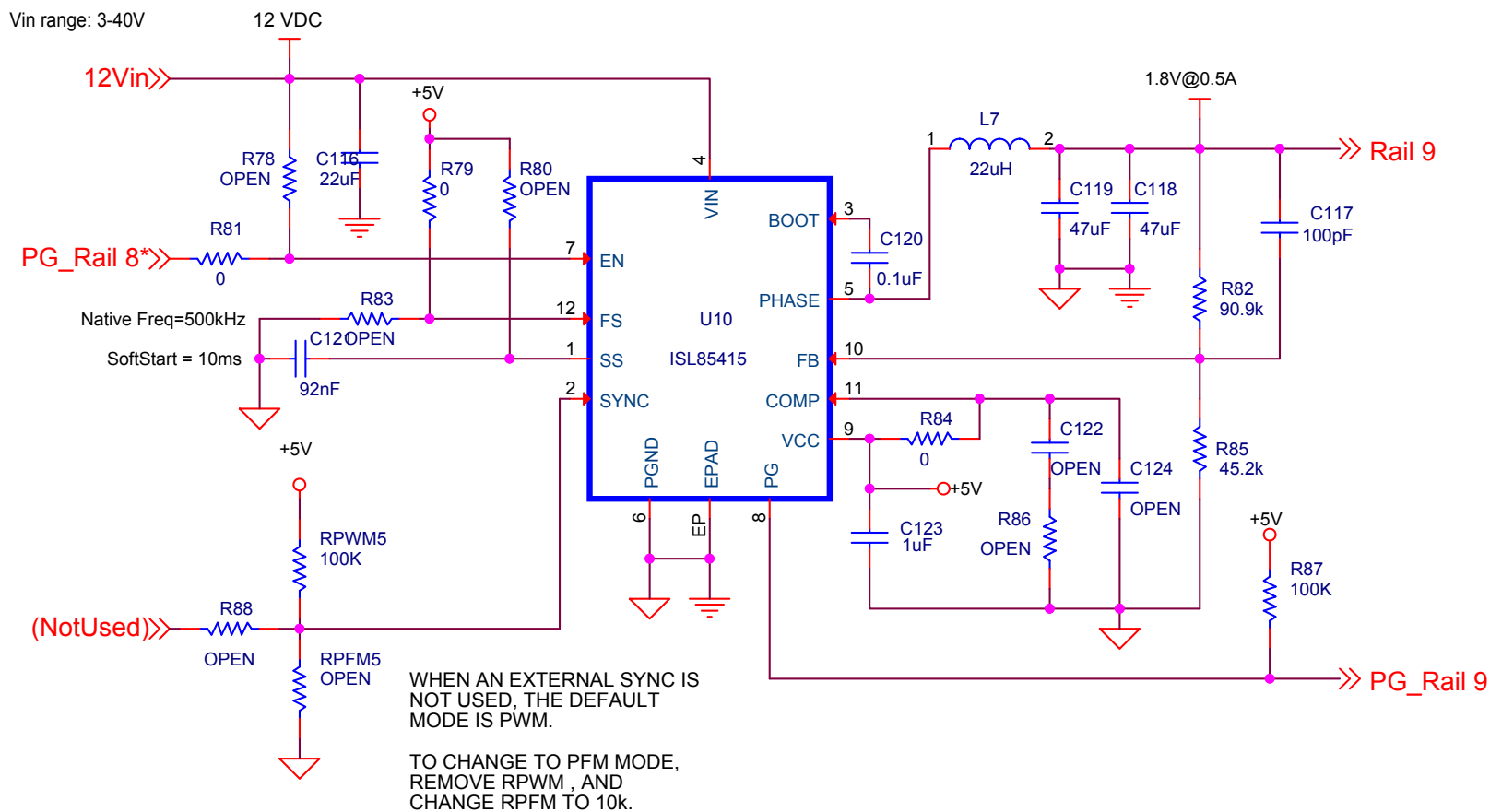
Strap resistors RVSET, RFCO, RSS, and RFREQ are optional. After PMB commands are used to configure this part, the user has the option to removed these resistors.

NOTE: RADDR must NOT be removed. To reassign the PMB address, change the value.

Pull-up resistors are optional if provided by the master PMBus driver

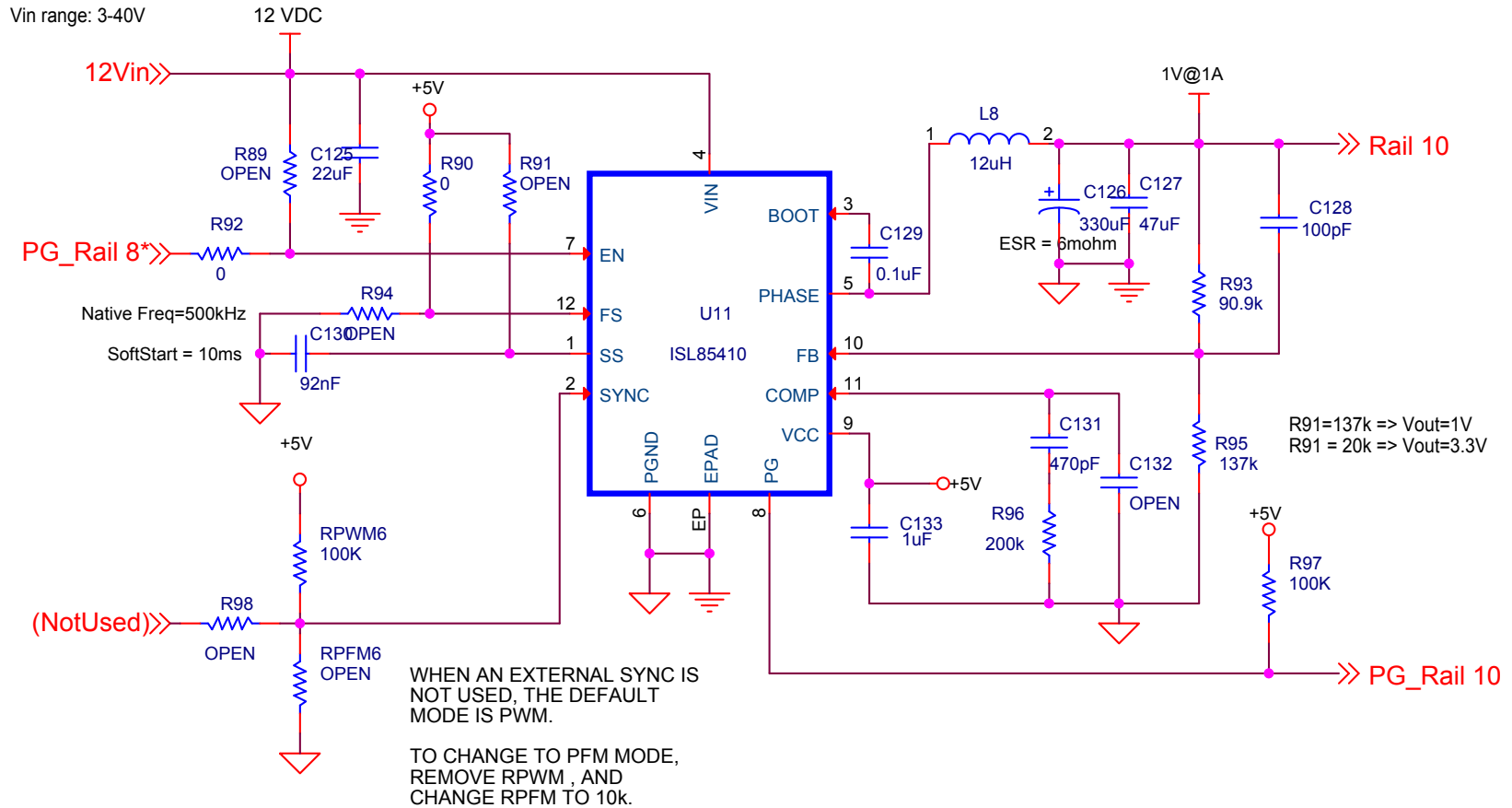
Title		
ZL9010M-SINGLE-1		
Size A	Document Number	Rev
Date:	Sheet 9	of 11

ISL85415 SINGLE OUTPUT (500mA)



Title		
ISL85415-SINGLE-1		
Size A	Document Number	Rev
Date:	Thursday, March 09, 2017	Sheet 10 of 11

ISL85410 SINGLE OUTPUT (1A)



Title		
ISL85410-SINGLE-1		
Size A	Document Number	Rev
Date:	Thursday, March 09, 2017	Sheet 11 of 11