

Renesas Starter Kit for RX23T CPU Board Schematics

REV	REF	DATE	DRAWN BY
1.00	Release	28.09.2015	YOI

PAGE	DESCRIPTION
1	INDEX
2	RX23T Microcontroller
3	PSU, Reset, Switches, LEDs, MCU Mode Setting
4	MCU Pin Function Select, Application Headers
5	E1, USB to Serial Interface
6	Pmod Interface, IIC EEPROM
7	Microcontroller Pin Headers

Note:

C : Capacitor
D : Diode
R : Fixed Resistor
RV : Potentiometer
U : Integrated Circuit
X : Crystal, Oscillator
RES : Reset Switch
SW : Switch
LED : Light Emitting Diode
PWR : Power Jack
J : Connector, Jumper

* "DNF" marking means that component
is not fitted by default.

Board Code:

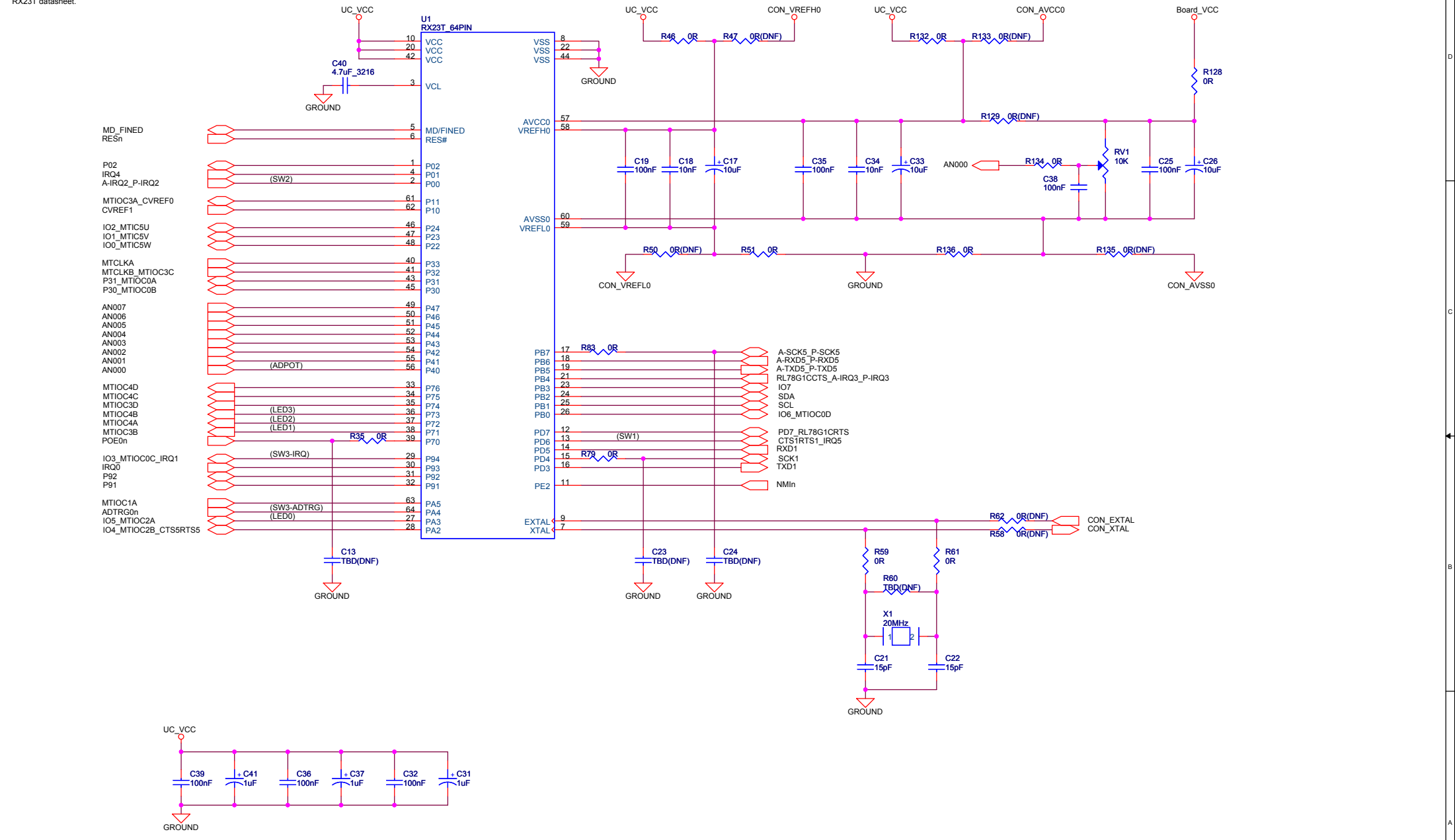
RTK500523TC00000BE : MP Board

REEL Drawing No. D014152_04

Renesas System Design Co., Ltd.			
Title		RSKRX23T [Index]	
Size	Document Number	Rev	
	R20UT3317EG0100	1.00	
Date:	Monday, September 28, 2015	Sheet	1 of 7

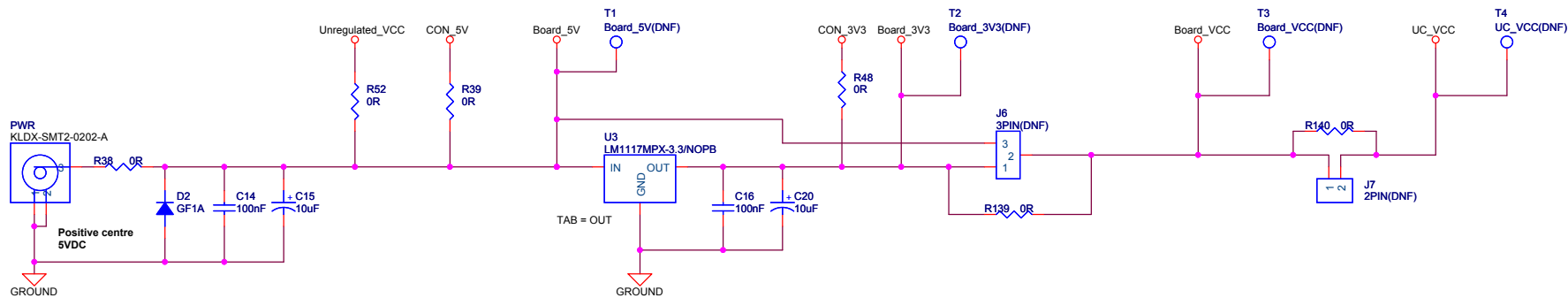
RX23T Microcontroller

Note:
 Microcontroller pins are not described by the full pin function.
 For full pin function details, refer to RX23T datasheet.



Renesas System Design Co., Ltd.		
Title	RSKRX23T [Micon]	
Size	Document Number R20UT3317EG0100	Rev 1.00
Date:	Monday, September 28, 2015	Sheet 2 of 7

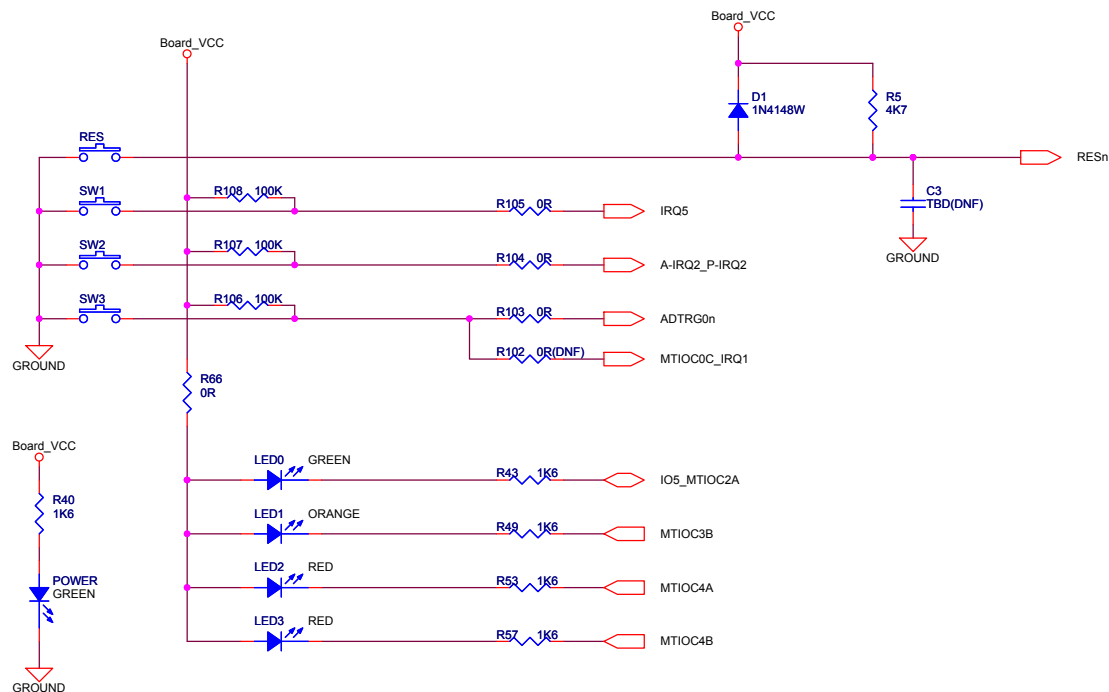
Power Supply Unit



Power Supply Configuration

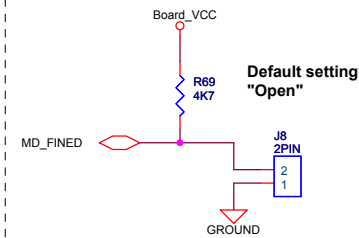
J6	R139	Power Supply Source	Board_VCC UC_VCC	Unavailable Feature
1-2 shorted	DNF	PWR/Unregulated_VCC/CON_5V	3V3	None
		E1(3V3)/CON_3V3	3V3	None
All Open/DNF	FIT	PWR/Unregulated_VCC/CON_5V	3V3	None
		E1(3V3)/CON_3V3	3V3	Pmod
2-3 shorted	DNF	PWR/Unregulated_VCC/CON_5V	5V	Pmod
		E1(5V)	5V	Pmod

Switches, LEDs, RESET

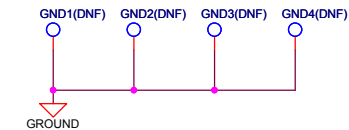


MCU Operating Mode Configuration

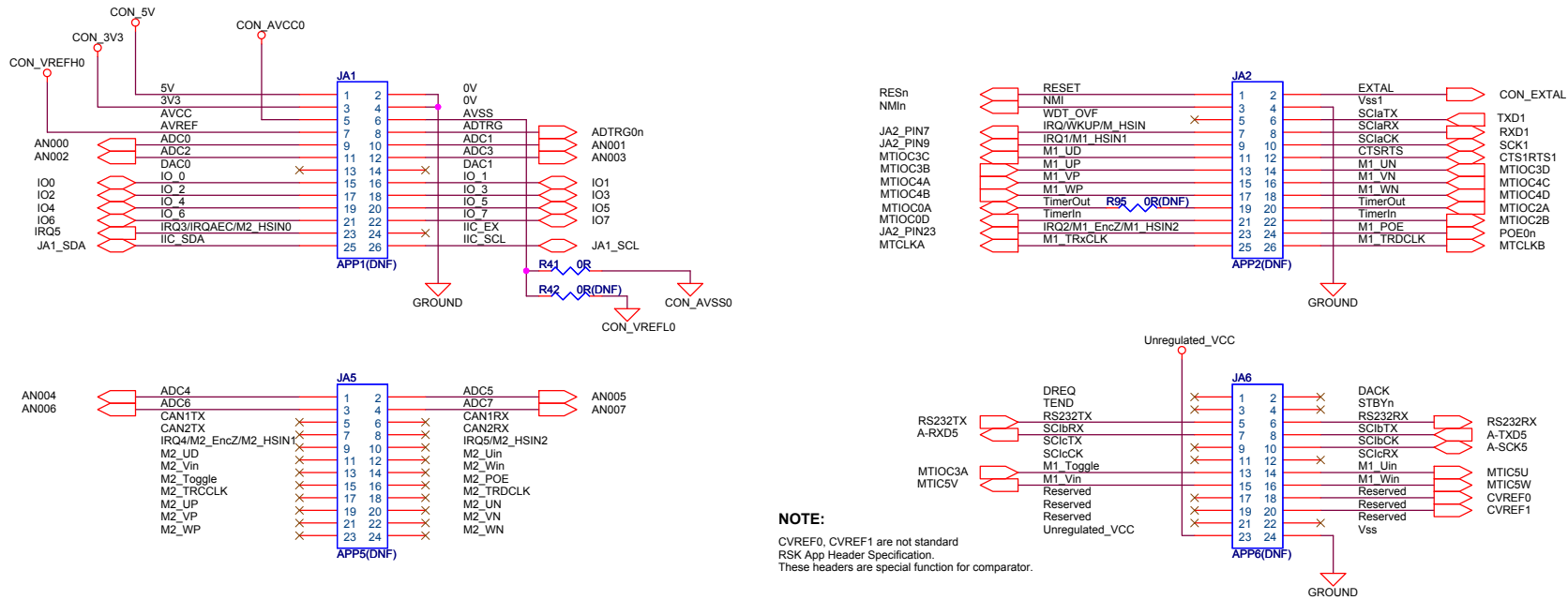
J8	Operating Mode
Open	Single Chip Mode
Shorted Pin	Boot Mode (SCI)



Ground Test Point

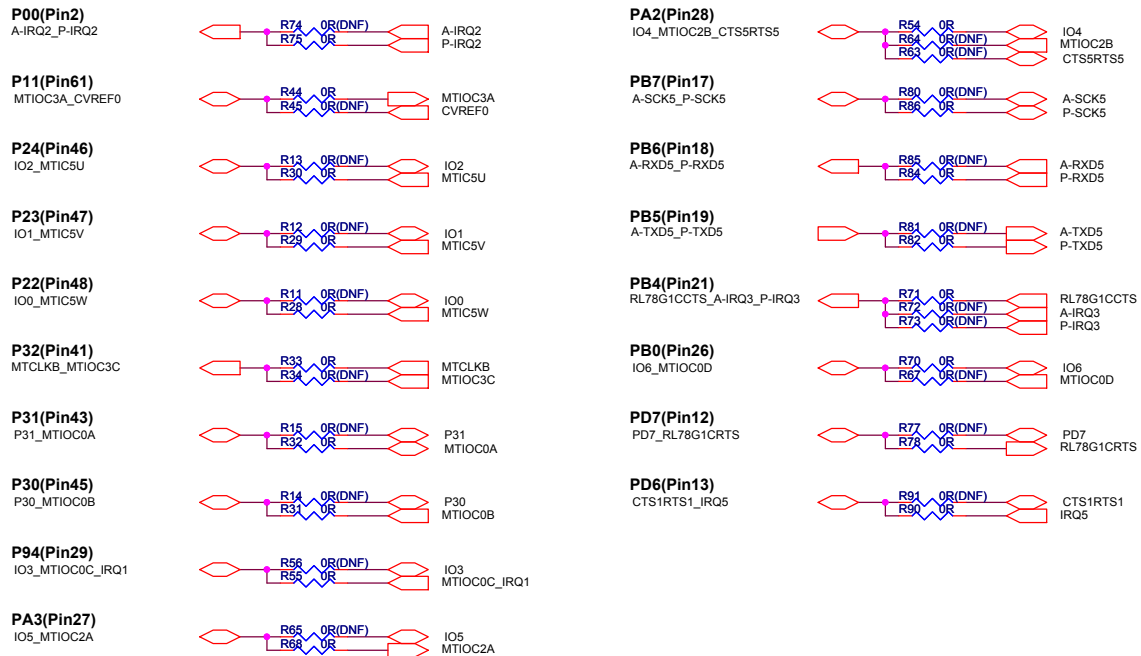


Application Headers

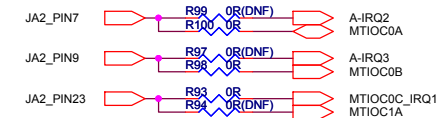


NOTE:
 CVREF0, CVREF1 are not standard
 RSK App Header Specification.
 These headers are special function for comparator.

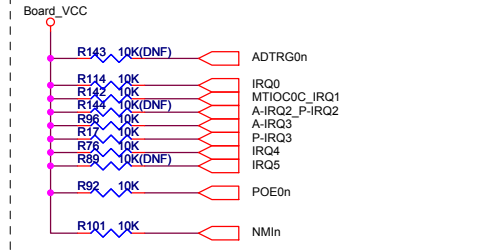
MCU Pin Function Select



Application Header Function Select



Pull-up resistor

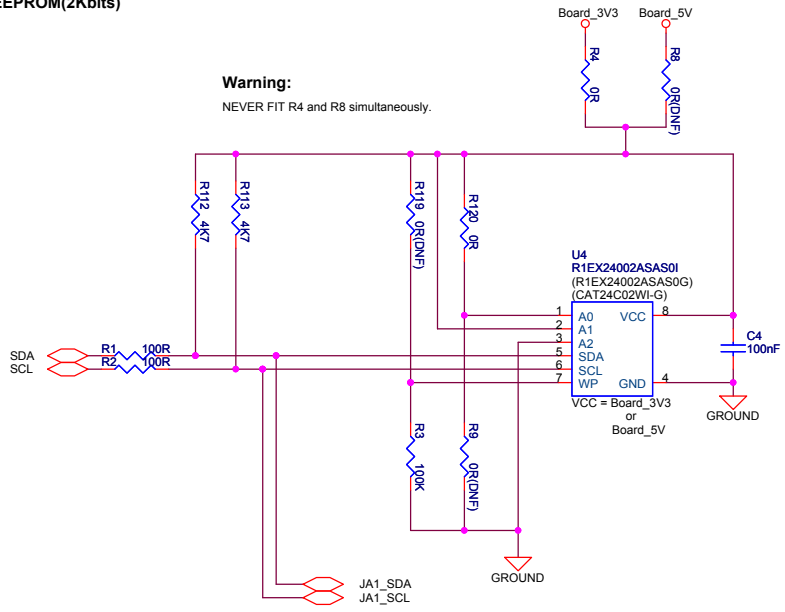


Renesas System Design Co., Ltd.		
Title	RSKR23T [MCU Pin Function Select, Application Headers]	
Size	Document Number R20UT3317EG0100	Rev 1.00
Date:	Monday, September 28, 2015	Sheet 4 of 7

IIC EEPROM(2Kbits)

Warning:

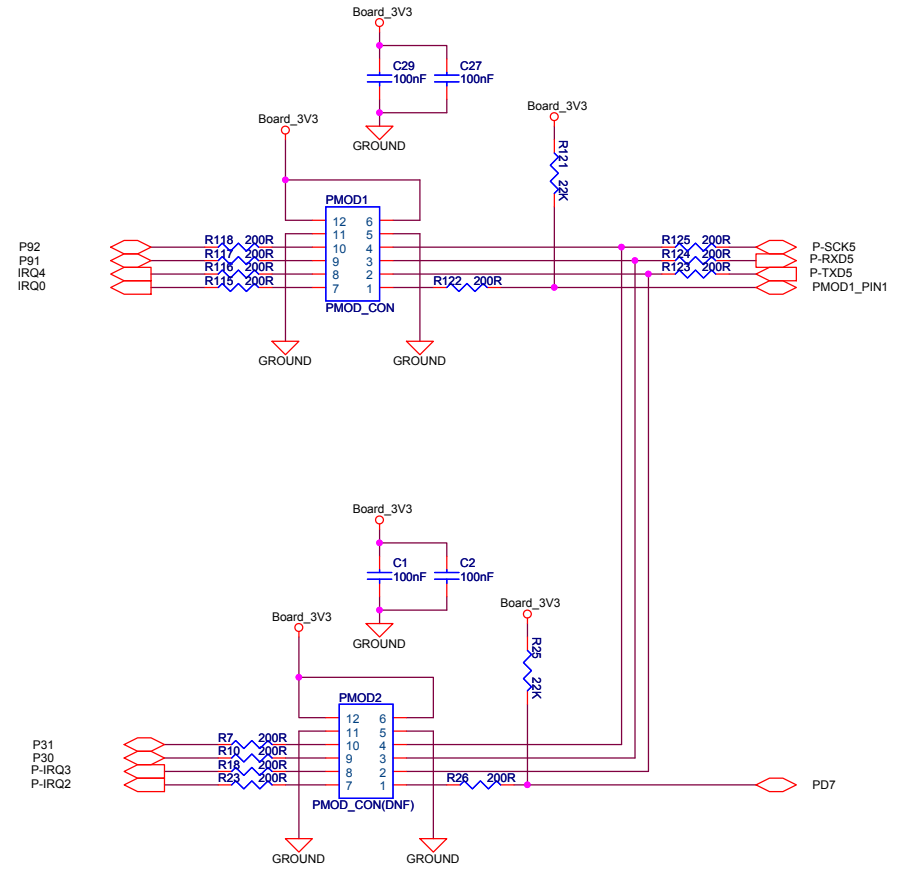
NEVER FIT R4 and R8 simultaneously.



Pmod Interface

PMOD1: Angle type connector

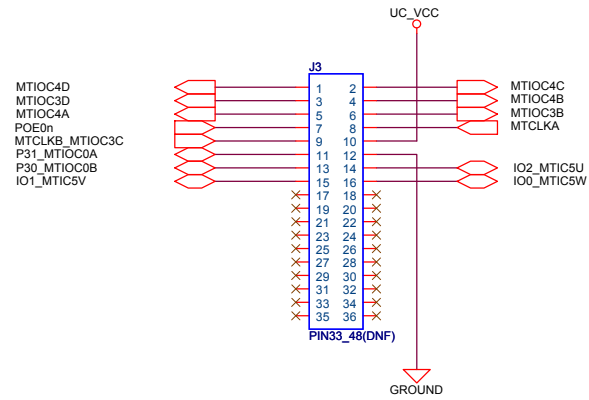
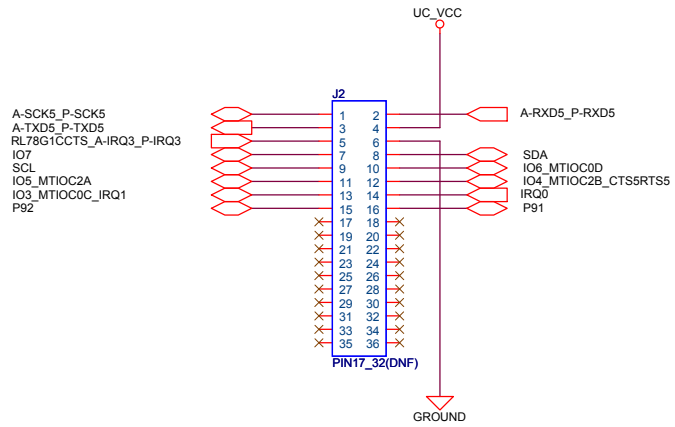
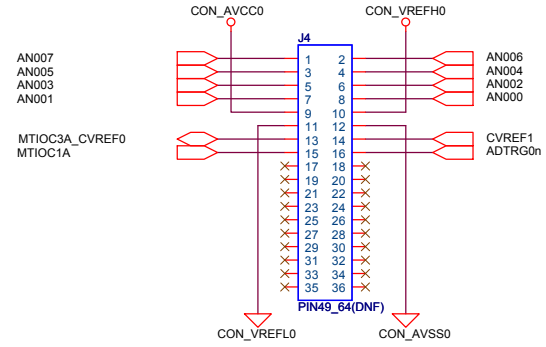
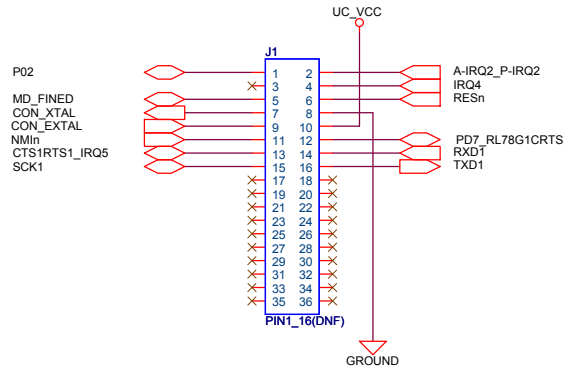
PMOD2: Vertical type connector (spare)



Pmod Function Select



Microcontroller Pin Headers



Revision History

REV	DATE	PAGE	DESCRIPTION
1.00	28.09.2015	---	1st release edition.

Renesas System Design Co., Ltd.			
Title			
RSKRX23T [Revision History]			
Size	Document Number		Rev
	R20UT3317EG0100		1.00
Date:	Monday, September 28, 2015	Sheet	X of X
		1	