

Introduction

Capacitance is commonly measured by forming an RC oscillating circuit using the capacitive element being measured, as shown in Figure 1. A logic inverter is used to sequentially charge and discharge the capacitor, and the oscillator’s frequency is inversely proportional to the capacitance being measured. In order to measure the oscillator’s frequency, the oscillator signal is fed a counter. The frequency is calculated based on the amount of time it takes to accumulate a fixed number of pulses.

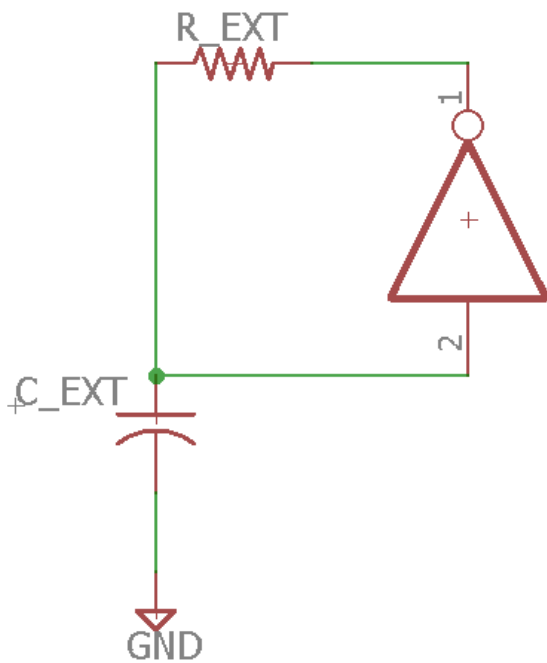


Figure 1. An RC oscillator circuit with inverter

There are limits to the range of frequencies that this arrangement can measure. The lowest measurable frequency is reached when the reference timer overflows before the pulse counter can overflow. The highest measurable frequency is reached when the reference timer ticks only once before the pulse counter overflows.

Nevertheless, since the RC oscillator frequency is also inversely proportional to the external resistance R, the range of measurable capacitance may be expanded by switching between multiple resistance values. For high capacitance, a lower value resistor can be used to keep the frequency above the lower frequency boundary. Likewise, for low capacitance, a higher value resistor can be used to keep the frequency below the upper frequency boundary. In this example case, five ranges of capacitance are implemented using five external resistors, as shown in Figure 2. Note that the inverter component could have been implemented inside the GreenPAK5; however, significant coupling between the system’s input and output pins was observed, and so the capacitor voltage had to be buffered by an external inverter.

Table 1 lists the resistor values for each measurement range. For the most part, they are separated by a factor of 10. This ratio can be increased to widen the measurement ranges. Practically speaking, the lower limit on the resistor values is determined by the maximum current on each of the GreenPAK IC’s output pins, and the upper limit on the resistor values is determined by the capacitor leakage current and inverter gate input leakage current.

Resistor	Value
R0	470Ω
R1	10kΩ
R2	100kΩ
R3	1MΩ
R4	10MΩ

Table 1. Resistor values used for each range of capacitance

Capacitance measurements can be resource-intensive for a microcontroller.

A counter is needed to accumulate pulses from the RC oscillator, and a reference timer is needed to measure the time needed to accumulate pulses. GPIO pins are required to manage the various external resistors used to implement multiple measurement ranges.

The counter must be polled (or interrupt routines must be used) to catch the moment of its overflow. Using a GreenPAK IC can free all of these resources and automate all of the multi-range functionality.

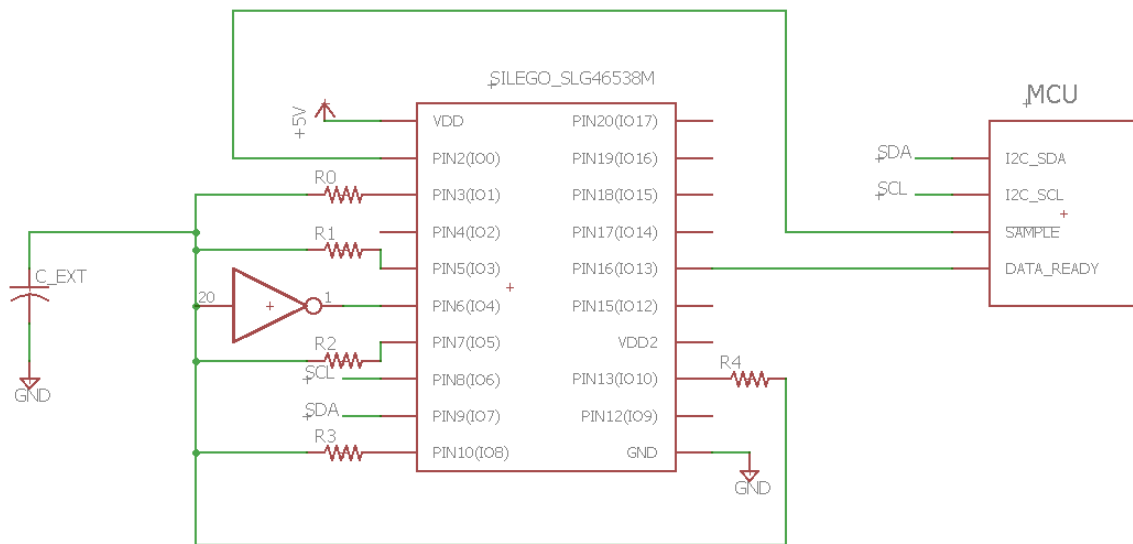


Figure 2. The RC oscillator with 5 ranges implemented with the GreenPAK SLG46538M

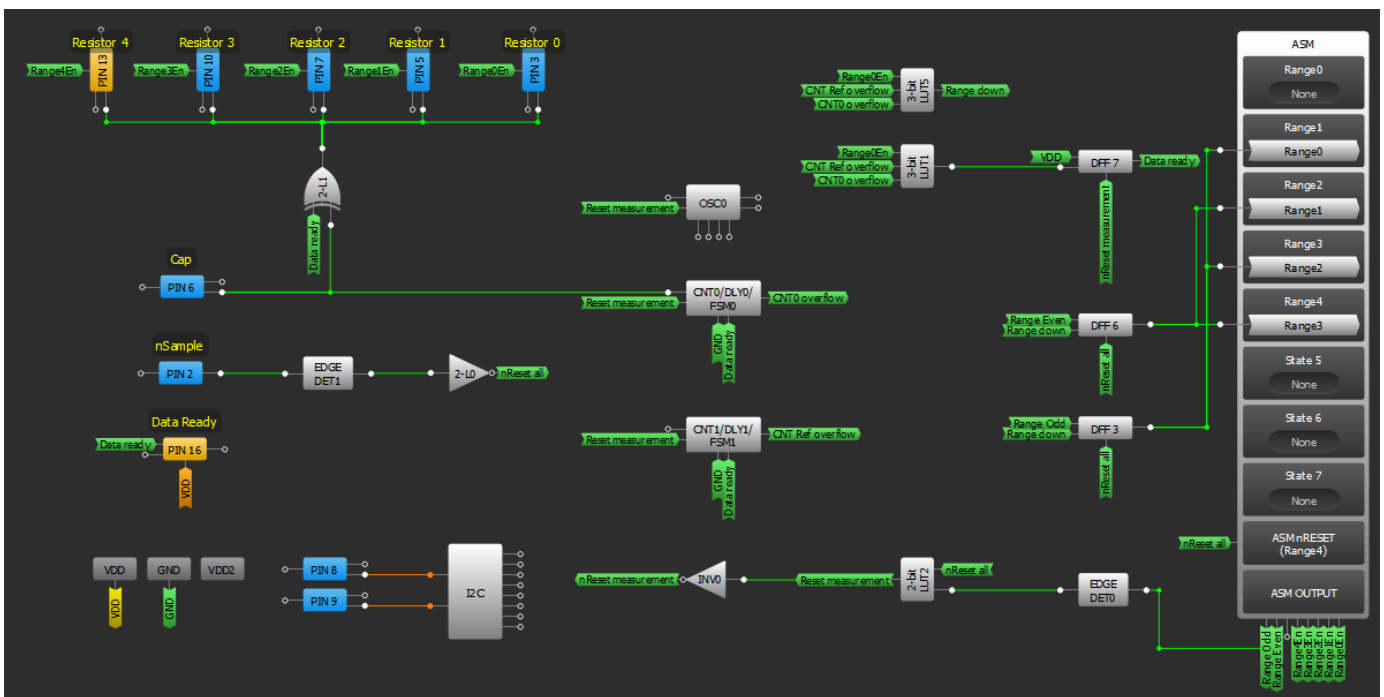


Figure 3. GreenPAK5 internal connections

Autorangeing/Measurement Circuit

Figure 3 depicts the capacitance measurement and auto-ranging logic implemented inside the GreenPAK IC. At the heart of the internal circuitry are two counters: CNT₀, and CNT₁. CNT₀ is clocked by the external RC oscillator and accumulates *N* pulses before overflowing. CNT₁ is clocked by OSC₀ and increments at a fixed frequency (3.125kHz). Ideally, during a measurement, CNT₀ would overflow first, freezing CNT₁, whose contents could be read over the I2C bus and then used to calculate the external RC oscillator’s frequency. If CNT₁ overflows before CNT₀, then the frequency of the external RC oscillator is too slow and may be increased by switching to a lower value resistor.

The asynchronous state machine is used to keep track of which resistor is being used in the external RC oscillator and activates/deactivates the appropriate GPIOs used to drive this oscillator. As shown in Figure 4 below, there are five states used, one for each measurement range. Each state activates an output pin corresponding to a different external resistor.

Flip flop DFF₇ is set when a valid measurement is taken. This is determined by 3-bit LUT₁, which monitors when CNT₀ overflows before CNT₁. DFF₇’s output, “Data ready,” freezes counters CNT₀ and CNT₁ as well as sets pin 16 to signal the microcontroller that measurement is complete. 3-bit LUT₅ monitors when CNT₁ overflows before CNT₀ and sets the signal “Range down.” This signal is fed to the ASM to decrement the range/resistor selected.

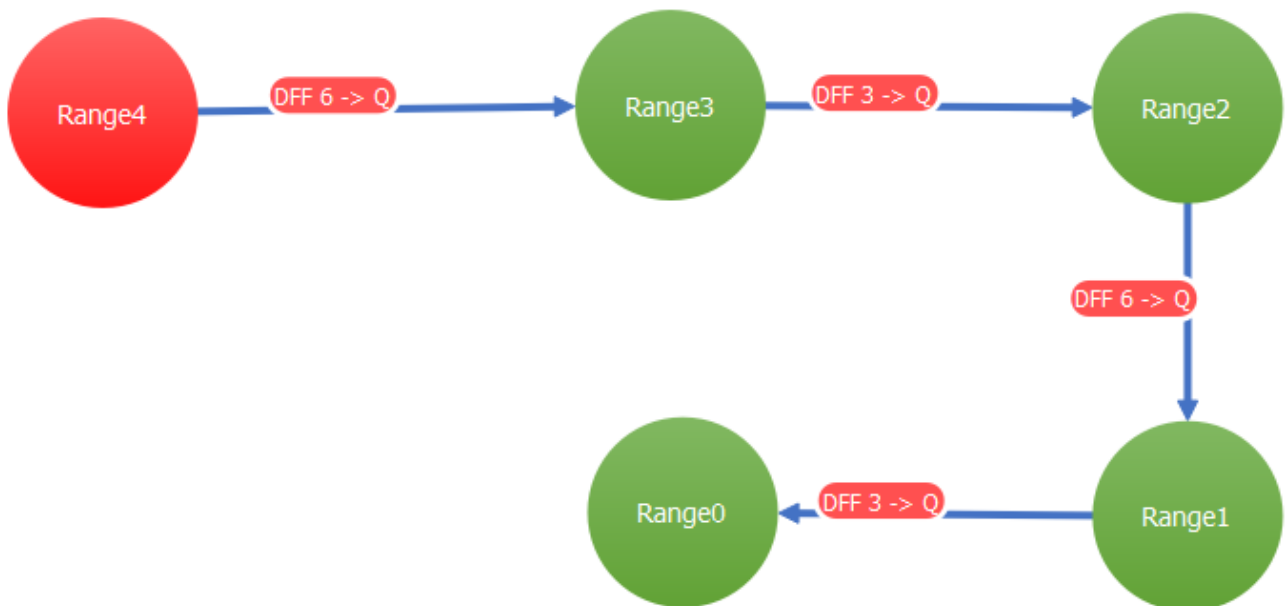


Figure 4. ASM state diagram

Without flip flops DFF₃ and DFF₆, the ASM could not be directly triggered by the signal "Range down" because the ASM is asynchronously level-triggered, not edge triggered. A digital high on "Range down" would sequentially trigger the transition from one range to another until the lowest range is reached. For example, when Range 4 decrements to Range 3, nothing will prevent the ASM from continuing to decrement the range all the way down to Range 0, since the "Range down" signal is still high. With DFF₃ and DFF₆, a positive edge on "Range down" triggers only a single transition from an even-numbered range to an odd-numbered range or vice-versa. No consecutive states share a common transition signal, since there is one signal for the odd states (DFF₃'s output) and one signal for the even states (DFF₆'s output).

Here is the sequence of events that occurs during a measurement:

- A negative edge is externally applied to pin 2, which momentarily brings the "nReset all" signal low, the "Reset measurement" signal high, and the "nReset measurement" signal low.
- This resets the ASM, CNT₀, CNT₁, DFF₇, DFF₃, DFF₆, and OSC₀. The ASM starts out in the "Range 4" state.
- "Data ready" goes low.
- With "Data ready" low, the 2-bit LUT₁ turns on the external RC oscillator.
- The counters begin to increment.
- If CNT₀ overflows before CNT₁:
 - A positive edge from 3-bit LUT₁ clocks DFF₇, setting the "Data ready" signal.
 - The "Data ready" signal freezes CNT₀ and CNT₁ and sets output pin 16 high to notify the microcontroller that data is available on the I2C bus.

- The microcontroller can read the contents of CNT₁ and the current state of the ASM at any time after pin 16 is set.
- If CNT₁ overflows before CNT₀:
 - A positive edge from 3-bit LUT₅ clocks DFF₃ and DFF₆, which cause the ASM to change state and decrement the measurement range.
 - The ASM sets or resets the "Range odd" signal, and edge detect EDGE DET₀ momentarily activates the signal "Reset measurement," which resets counter CNT₀ and CNT₁.
- If CNT₁ overflows before CNT₀, and the ASM is in the state "Range 0":
 - A positive edge from 3-bit LUT₁ clocks DFF₇ as if a valid measurement was made, setting the "Data ready" signal.
 - As in the case when CNT₀ overflows before CNT₁, the "Data ready" signal freezes CNT₀ and CNT₁ and sets output pin 16 high to notify the microcontroller that data is available on the I2C bus.
 - The microcontroller can read the contents of CNT₁ and the current state of the ASM at any time after pin 16 is set.

Design Equations

The frequency of the external RC oscillator is determined by the resistor and capacitance, but also by the digital high/low thresholds. If a Schmitt trigger is used on the external inverter, then the frequency can be derived as:

$$I_{cap} = C_{ext} \frac{dV_{cap}}{dt} = \frac{V_{cap}}{R_{ext}}$$

$$\frac{dV_{cap}}{dt} = \frac{V_{cap}}{C_{ext}R_{ext}} \quad \rightarrow \quad \frac{\Delta V_{cap}}{\Delta t} \approx \frac{V_{cap,avg}}{R_{ext}C_{ext}}$$

ΔV_{cap} = Net voltage change during one RC oscillator tick = 2 * digital high/low voltage gap

Δt = Period of the RC oscillator

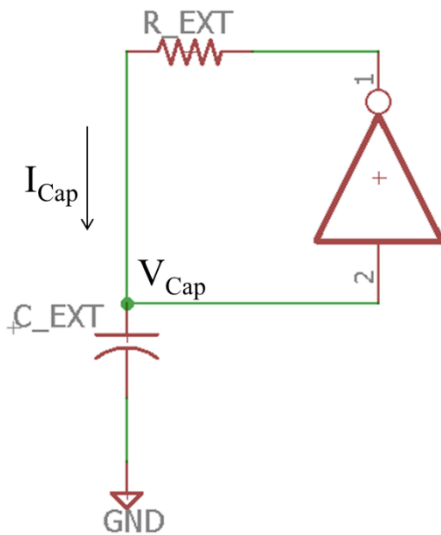


Figure 5. External RC oscillator, with capacitor current and voltage indicated

$$f_{RC} = \frac{1}{\Delta t} \approx \frac{V_{Cap,avg}}{\Delta V_{Cap} R_{ext} C_{ext}} = \frac{V_{DD}/2}{2(V_{Schmitt,high} - V_{Schmitt,low}) R_{ext} C_{ext}} = \frac{K}{R_{ext} C_{ext}}$$

f_{RC} = RC oscillator frequency

R_{ext} = RC resistor value

C_{ext} = RC capacitance value, the capacitance being measured

$V_{Schmitt,high}$ = Schmitt trigger digital high threshold

$V_{Schmitt,low}$ = Schmitt trigger digital low threshold

$V_{Cap,avg}$ = Average capacitor voltage = $V_{DD} / 2$

K = proportionality constant = $\frac{V_{Cap,avg}}{2(V_{Schmitt,high} - V_{Schmitt,low})}$

The relationship between the external capacitance to the CNT1 counted value is:

$$\frac{X_{CNT1}}{N_{CNT1}} = \frac{f_{CNT1}}{f_{RC}} \rightarrow X_{CNT1} = f_{CNT1} N_{CNT0} \frac{R_{ext} C_{ext}}{K}$$

X_{CNT1} = CNT1 counted value accumulated during one period of CNT0 + 1

f_{CNT1} = CNT1 tick frequency = 3.124kHz

N_{CNT0} = CNT0 maximum value (overflow/modulo value) + 1

The maximum capacitance measurable by any given range is:

$$C_{ext,max} = \frac{N_{CNT1} K}{N_{CNT0} f_{CNT1} R_{ext}}$$

$C_{ext,max}$ = maximum capacitance measurable by a range with external resistance R_{ext}

N_{CNT1} = CNT1 maximum value (overflow value) + 1

Since $C_{ext,max}$ is proportional to N_{CNT1} , higher values of N_{CNT1} mean that higher capacitances can be measured. However, there is a tradeoff between higher measurable capacitance values and longer measurement acquisition times. Since the circuit starts out in the lowest of five capacitance ranges, CNT1 must overflow four times to reach the highest measurement range, which means that the longest possible measurement acquisition time is:

$$t_{max} = (5 \text{ ranges}) \times \frac{N_{CNT1}}{f_{CNT1}}$$

$C_{ext,max}$ is inversely proportional to N_{CNT0} , which means that minimizing N_{CNT0} will increase the maximum measurable capacitance. However, jitter in the RC oscillator frequency means that a smaller group of ticks will have a greater percentage of variability than a larger group of ticks.

This is compounded by the fact that at the beginning of the measurement, the state of charge of the capacitor is unknown, making the length of the first tick variable (though the longer the time between measurements, the closer the capacitor voltage will be to 0V or V_{DD}). Overall, this means that accuracy is improved by increasing N_{CNT0} .

Finally, $C_{ext,max}$ is also bounded by the maximum capacitor charge/discharge current. The output pins of the SLG46538M can source at least 41mA and sink at least 14mA. Therefore, the highest frequency external resistor should not have a value below $5V/14mA = 360\Omega$.

Table 2 gives the maximum capacitance values measurable by each range.

Range	R_{ext}	$C_{ext,max}$
0	470 Ω	130 μ F
1	10k Ω	6 μ F
2	100k Ω	600nF
3	1M Ω	60nF
4	10M Ω	6nF

Table 2: maximum capacitance measurable by each range

$V_{Schmitt,max} = 4.64$, $V_{Schmitt,min} = 2.00$, $K = 0.47$,
 $N_{CNT1} = 3125$, $N_{CNT0} = 9$

Measurement time = 1s/range

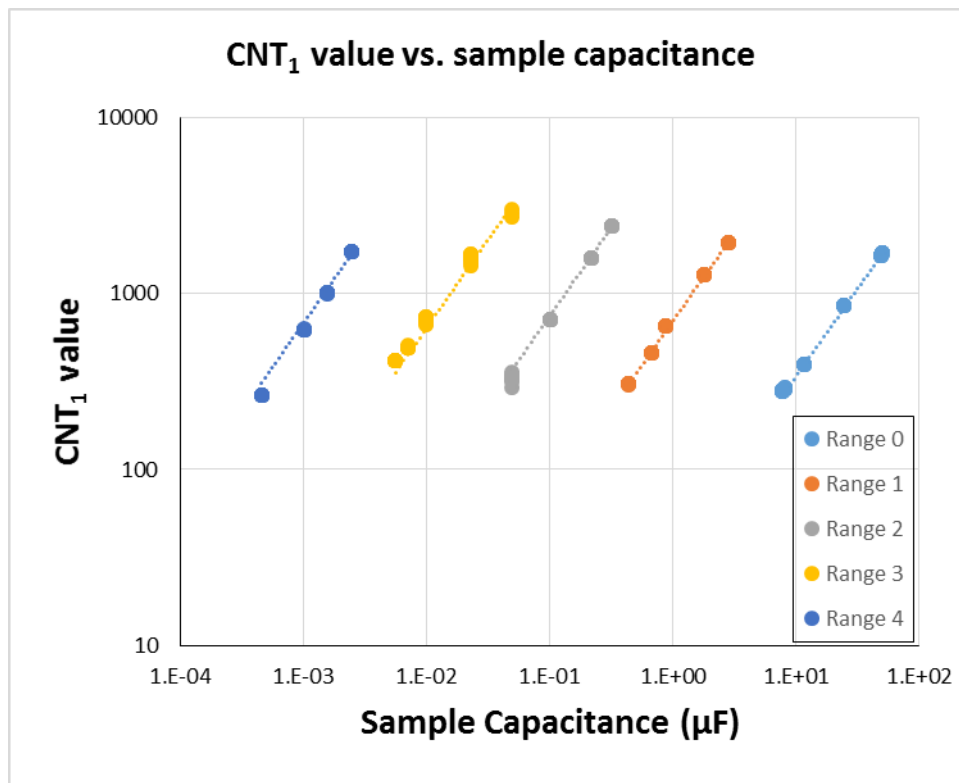


Figure 6. Autoranging capacitance meter test results

Results

Various discrete capacitors were measured using a multimeter and using the GreenPAK5 circuit. Figure 6 shows a graph of CNT₁ contents versus measured capacitance for each range. As expected, each range shows a linear relationship between the CNT₁ value and measured external capacitance.

For the microcontroller, measuring capacitance with this circuit is as simple as reading the contents of CNT₁ (registers 0xEE and 0xEF) and the states of the ASM outputs (register 0xF5) over the I2C bus. Given the states of the ASM outputs, the measurement range can be deduced, since the ASM outputs activate the pins connected to the external resistors.

Once the range and CNT₁ value are known, the capacitance can be calculated using the linear relationships depicted in Figure 5.

If the measurement range needs to be expanded, the microcontroller can change N_{CNT0} and N_{CNT1} (the maximum/overflow values of CNT₀ and CNT₁) by writing to registers 0xC5 through 0xC6 for CNT₀ and registers 0xC7 through 0xC8 for CNT₁.

Conclusion

This application note has demonstrated how to configure a GreenPAK5 mixed signal IC to build an auto-ranging capacitance meter. This frees several of the microcontroller's resources, including several GPIO pins, a counter, a timer, compute cycles, and possibly some interrupt routines. It makes capacitance measurement as simple as reading values over an I2C bus.

Appendix A

2-bit LUT2/DFF/LATCH2				
Type: LUT				
IN3	IN2	IN1	IN0	OUT
0	0	0	0	1
0	0	0	1	1
0	0	1	0	0
0	0	1	1	1

2-bit LUT2 properties

3-bit LUT1/DFF/LATCH4				
Type: LUT				
IN3	IN2	IN1	IN0	OUT
0	0	0	0	0
0	0	0	1	1
0	0	1	0	0
0	0	1	1	1
0	1	0	0	0
0	1	0	1	1
0	1	1	0	1
0	1	1	1	1

3-bit LUT1 properties

3-bit LUT5/8-bit CNT2/DLY2				
Type: LUT				
IN3	IN2	IN1	IN0	OUT
0	0	0	0	0
0	0	0	1	0
0	0	1	0	1
0	0	1	1	1
0	1	0	0	0
0	1	0	1	0
0	1	1	0	0
0	1	1	1	0

3-bit LUT5 properties

IMPORTANT NOTICE AND DISCLAIMER

RENESAS ELECTRONICS CORPORATION AND ITS SUBSIDIARIES (“RENESAS”) PROVIDES TECHNICAL SPECIFICATIONS AND RELIABILITY DATA (INCLUDING DATASHEETS), DESIGN RESOURCES (INCLUDING REFERENCE DESIGNS), APPLICATION OR OTHER DESIGN ADVICE, WEB TOOLS, SAFETY INFORMATION, AND OTHER RESOURCES “AS IS” AND WITH ALL FAULTS, AND DISCLAIMS ALL WARRANTIES, EXPRESS OR IMPLIED, INCLUDING, WITHOUT LIMITATION, ANY IMPLIED WARRANTIES OF MERCHANTABILITY, FITNESS FOR A PARTICULAR PURPOSE, OR NON-INFRINGEMENT OF THIRD-PARTY INTELLECTUAL PROPERTY RIGHTS.

These resources are intended for developers who are designing with Renesas products. You are solely responsible for (1) selecting the appropriate products for your application, (2) designing, validating, and testing your application, and (3) ensuring your application meets applicable standards, and any other safety, security, or other requirements. These resources are subject to change without notice. Renesas grants you permission to use these resources only to develop an application that uses Renesas products. Other reproduction or use of these resources is strictly prohibited. No license is granted to any other Renesas intellectual property or to any third-party intellectual property. Renesas disclaims responsibility for, and you will fully indemnify Renesas and its representatives against, any claims, damages, costs, losses, or liabilities arising from your use of these resources. Renesas' products are provided only subject to Renesas' Terms and Conditions of Sale or other applicable terms agreed to in writing. No use of any Renesas resources expands or otherwise alters any applicable warranties or warranty disclaimers for these products.

(Disclaimer Rev.1.01 Jan 2024)

Corporate Headquarters

TOYOSU FORESIA, 3-2-24 Toyosu,
Koto-ku, Tokyo 135-0061, Japan
www.renesas.com

Trademarks

Renesas and the Renesas logo are trademarks of Renesas Electronics Corporation. All trademarks and registered trademarks are the property of their respective owners.

Contact Information

For further information on a product, technology, the most up-to-date version of a document, or your nearest sales office, please visit www.renesas.com/contact-us/.