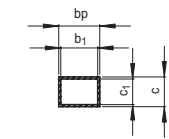
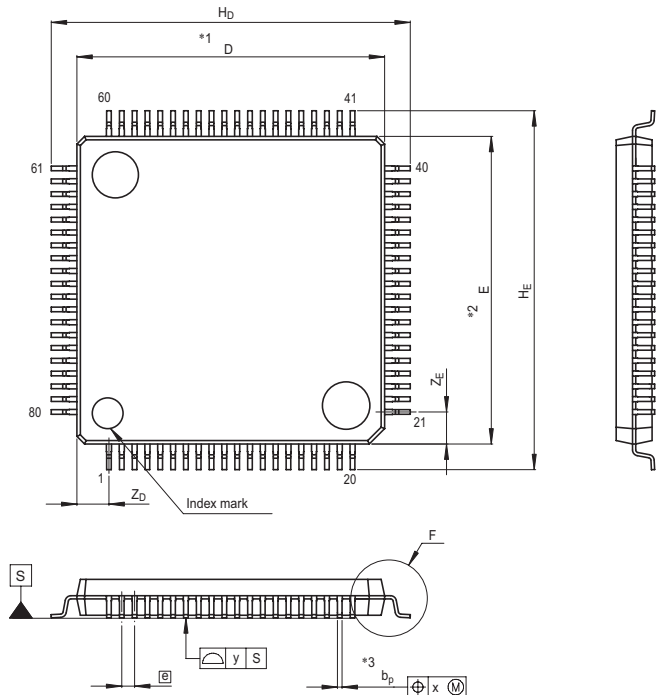
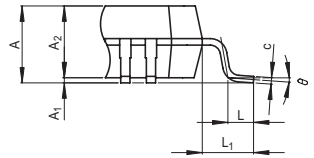


JEITA Package Code	RENESAS Code	Previous Code	MASS[Typ.]
P-LFQFP80-12x12-0.50	PLQP0080KB-A	80P6Q-A	0.5g



Terminal cross section

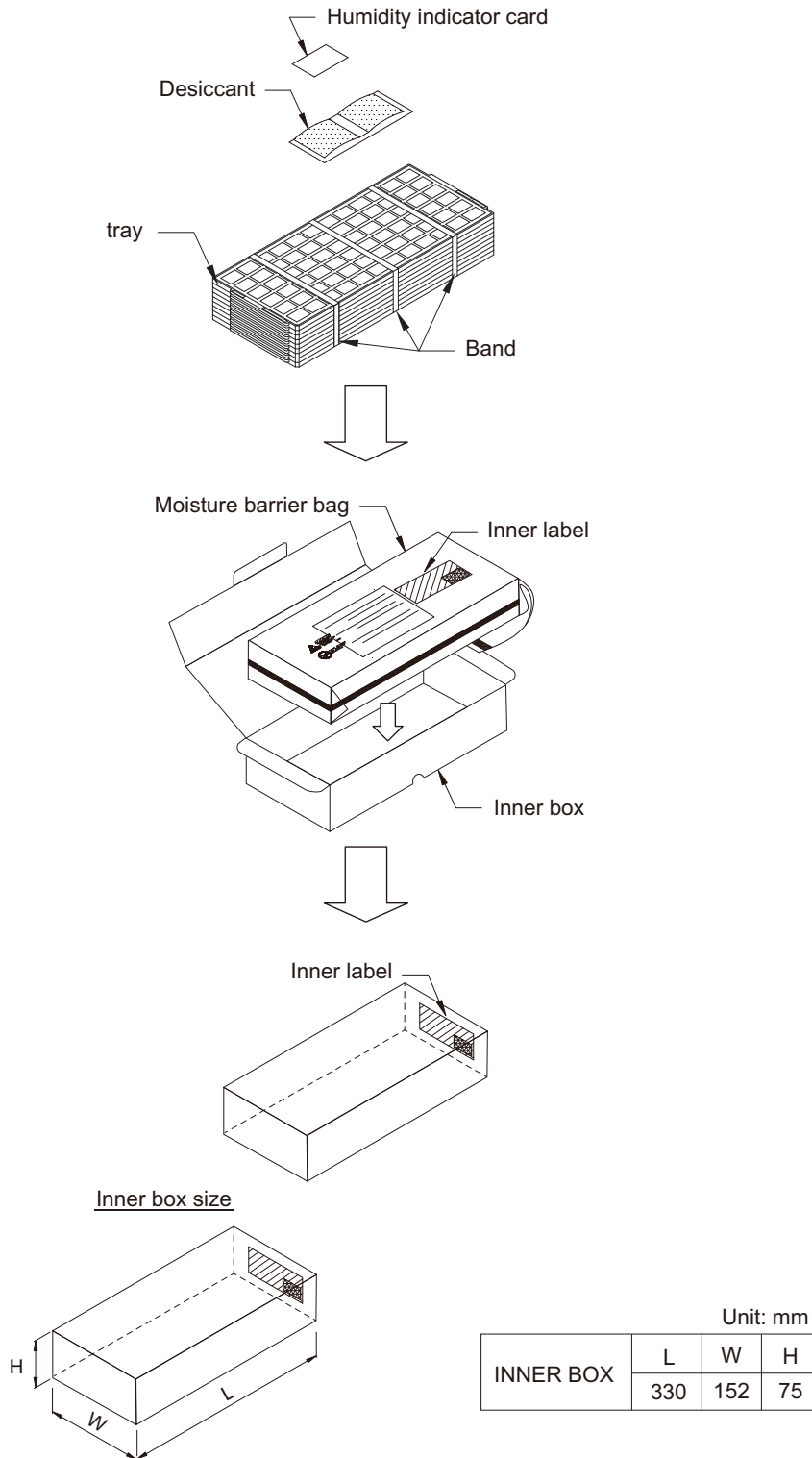


Detail F

NOTE)
 1. DIMENSIONS *1* AND *2* DO NOT INCLUDE MOLD FLASH.
 2. DIMENSION *3* DOES NOT INCLUDE TRIM OFFSET.

Reference Symbol	Dimension in Millimeters		
	Min	Nom	Max
D	11.9	12.0	12.1
E	11.9	12.0	12.1
A ₂	—	1.4	—
H _D	13.8	14.0	14.2
H _E	13.8	14.0	14.2
A	—	—	1.7
A ₁	0	0.1	0.2
b _p	0.15	0.20	0.25
b ₁	—	0.18	—
c	0.09	0.145	0.20
c ₁	—	0.125	—
β	0°	—	10°
Ⓢ	—	0.5	—
x	—	—	0.08
y	—	—	0.08
Z _D	—	1.25	—
Z _E	—	1.25	—
L	0.3	0.5	0.7
L ₁	—	1.0	—

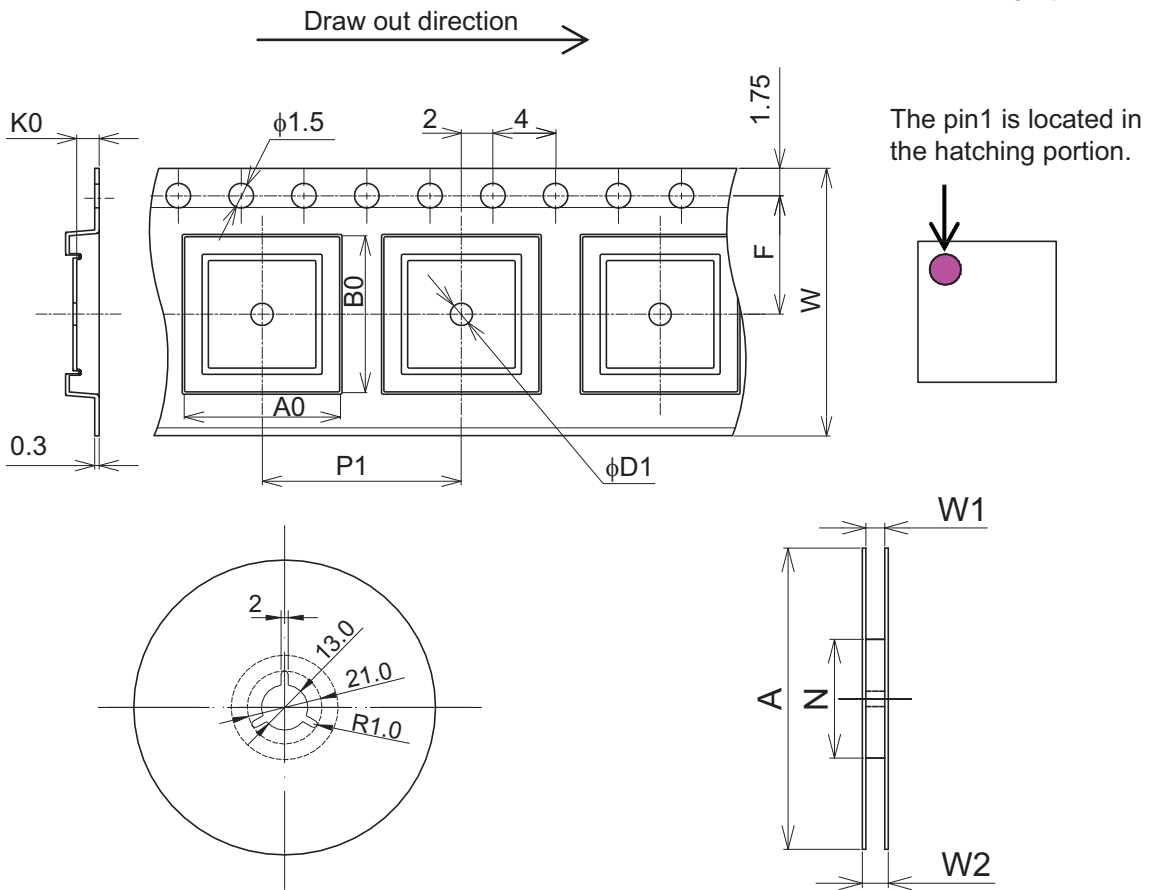
Packing Specification
Tray Packing
(Tray dry pack)



H-000531

Packing Specification
Tape & Reel Outline Drawing
E2420Q12RA

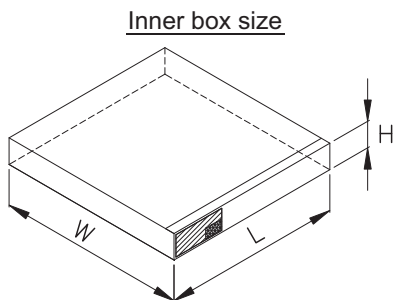
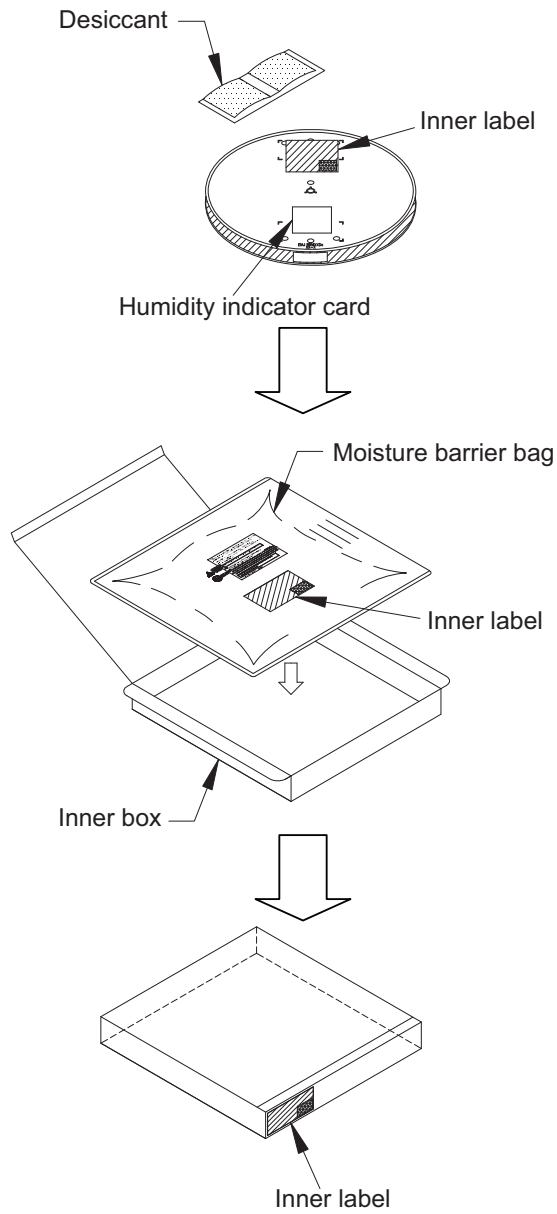
Unit: mm



Tape Code		E2420Q12RA
Tape Dimensions (mm)	W	24.0
	P1	20.0
	A0	14.5
	B0	14.5
	K0	1.4
	F	11.50
	D1	1.5
Reel Dimensions (mm)	A	330
	N	100
	W1	25.4
	W2	29.4
Maximum storage Pcs. IC/ Reel		1000
Material		Carbon PS
Surface resistance		Less than $1 \times 10^{11} \Omega/\square$

H-001571

Packing Specification
Tape & Reel Packing
(Tape dry pack)



Unit: mm

L	W	H
347	368	54

H-000248