

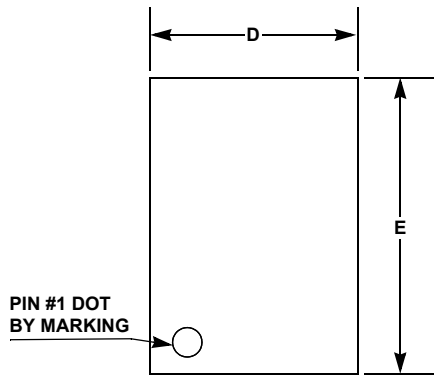
Plastic Packages for Integrated Circuits

Package Outline Drawing

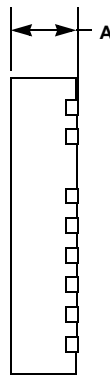
L24.3.5x5W

24 LEAD POWER QUAD FLAT NO-LEAD PLASTIC PACKAGE

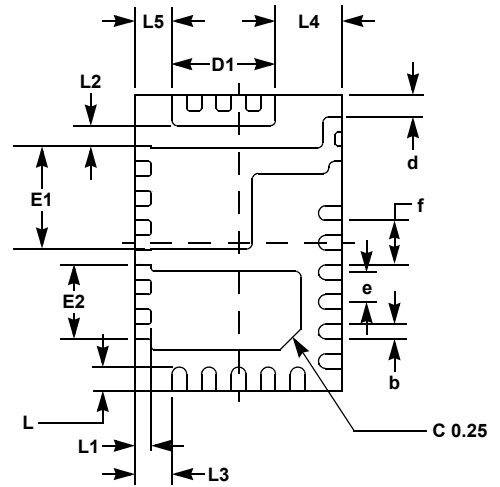
Rev 0, 4/16



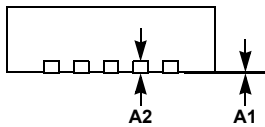
TOP VIEW



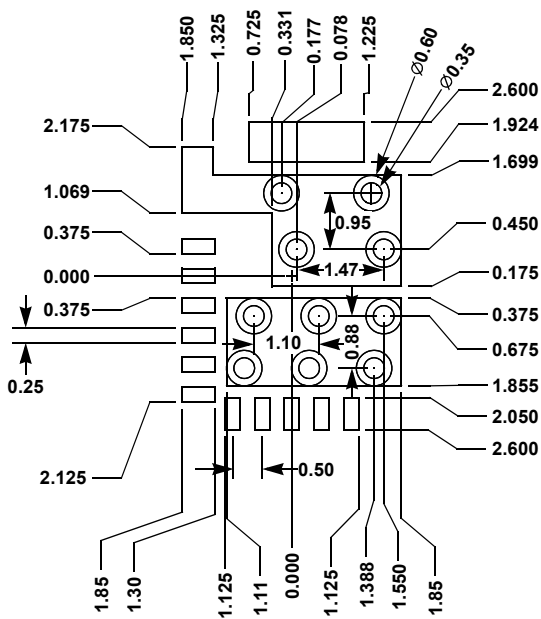
SIDE VIEW



BOTTOM VIEW



SIDE VIEW



UNIT: mm

RECOMMENDED LAND PATTERN

SYMBOLS	MILLIMETER		
	MIN	TYP	MAX
A	1.00	1.10	1.20
A1	0.00	-	0.05
A2	0.20 Ref.		
E	4.90	5.00	5.10
E1	1.63	1.73	1.83
E2	1.15	1.25	1.35
D1	1.65	1.75	1.85
D	3.40	3.50	3.60
L	0.35	0.40	0.45
L1	0.22	0.27	0.32
L2	0.30	0.35	0.40
L3	0.58	0.63	0.68
L4	1.02	1.12	1.22
L5	0.58	0.63	0.68
b	0.20	0.25	0.30
d	0.33	0.38	0.43
f	0.70	0.75	0.80
e	0.50 BSC		

NOTES:

1. Controlling dimension is millimeter.
2. Converted inch dimensions are not necessarily exact.