

# RENESAS TECHNICAL UPDATE

TOYOSU FORESIA, 3-2-24, Toyosu, Koto-ku, Tokyo 135-0061, Japan  
Renesas Electronics Corporation

Product Category	MPU/MCU	Document No.	TN-SY*-A0064A/E	Rev.	1.00
Title	S5D9 MCU Group, Note on the number of ADC channels.		Information Category	Technical Notification	
Applicable Product	Renesas Synergy™ S5D9 MCU Group	Lot No.	Reference Document	S5D9 Microcontroller Group User's Manual Rev.1.30	
		All			

The descriptions about the number of ADC channels were changed.

## 1. Overview

### 1.1 Page 77

Before

**Table 1.9 Analog**

Feature	Functional description
12-bit A/D Converter (ADC12)	Up to two successive approximation 12-bit A/D Converters (ADC12) are provided. In unit 0, up to 13 analog input channels are selectable. In unit 1, up to 11 analog input channels, the temperature sensor output, and an internal reference voltage are selectable for conversion. The A/D conversion accuracy is selectable from 12-bit, 10-bit, and 8-bit conversion, making it possible to optimize the tradeoff between speed and resolution in generating a digital value. See <a href="#">section 47, 12-Bit A/D Converter (ADC12)</a> .

After

**Table 1.9 Analog**

Feature	Functional description
12-bit A/D Converter (ADC12)	Two units of successive approximation 12-bit A/D Converter (ADC12) are provided. Analog input channels are selectable up to 13 in unit 0 and up to 11 in unit 1. Each 2 analog inputs of unit 0 and 1 are assigned to same port (AN005/AN105, AN006/AN106), up to 22 ports are available as analog input. The temperature sensor output and an internal reference voltage are selectable for conversion of each unit 0 and 1. The A/D conversion accuracy is selectable from 12-bit, 10-bit, and 8-bit conversion, making it possible to optimize the tradeoff between speed and resolution in generating a digital value. See <a href="#">section 47, 12-Bit A/D Converter (ADC12)</a> .

1.2 Page 82

Before

**Table 1.15 Functional comparison (Graphics)**

Function		Part numbers				
		R7FS5D97E2XXCBG/ R7FS5D97C2XXCBG	R7FS5D97E3XXCFC/ R7FS5D97C3XXCFC	R7FS5D97E2XXCLK/ R7FS5D97C2XXCLK	R7FS5D97E3XXCFB/ R7FS5D97C3XXCFB	R7FS5D97E3XXCFP/ R7FS5D97C3XXCFP
Analog	ADC12	24		22		19

After

**Table 1.15 Functional comparison (Graphics)**

Function		Part numbers				
		R7FS5D97E2XXCBG/ R7FS5D97C2XXCBG	R7FS5D97E3XXCFC/ R7FS5D97C3XXCFC	R7FS5D97E2XXCLK/ R7FS5D97C2XXCLK	R7FS5D97E3XXCFB/ R7FS5D97C3XXCFB	R7FS5D97E3XXCFP/ R7FS5D97C3XXCFP
Analog	ADC12	Unit0: 13 Unit1: 11 Shared channel pin: 2*		Unit0: 13 Unit1: 9 Shared channel pin: 2*		Unit0: 11 Unit1: 8 Shared channel pin: 2*
	3ch-S/H			Unit0: 1(3ch) Unit1: 1(3ch)		
	PGA			Unit0: 3 Unit1: 3		

Note. Some input channels of the ADC units are sharing same port pin.

1.3 Page 87

Before

**Table 1.16 Pin functions (5 of 5)**

Function	Signal	I/O	Description
ADC12	AN000 to AN007, AN016 to AN020	Input	Input pins for the analog signals to be processed by the ADC12
	AN100 to AN103, AN105 to AN107, AN116 to AN119	Input	

After

**Table 1.16 Pin functions (5 of 5)**

Function	Signal	I/O	Description
ADC12	AN000 to AN007, AN016 to AN020	Input	Input pins for the analog signals to be processed by the ADC12 AN005 & AN105 and AN006 & AN106 are assigned to same port pin
	AN100 to AN103, AN105 to AN107, AN116 to AN119	Input	

2. 12-Bit A/D Converter (ADC12)

2.1 Page 1681

Before

**47. 12-Bit A/D Converter (ADC12)**

**47.1 Overview**

The MCU provides two 12-bit successive approximation A/D converter (ADC12) units. In unit 0, up to 13 analog input channels are selectable. In unit 1, up to 11 analog input channels, temperature sensor output, and internal reference voltage are selectable for conversion. The A/D conversion accuracy is selectable from 12-, 10-, and 8-bit conversion, making it possible to optimize the trade-off between speed and resolution in generating a digital value.

ADC12 features include:

- 13 channels (unit 0), 11 channels (unit 1)

After

**47. 12-Bit A/D Converter (ADC12)**

**47.1 Overview**

The MCU provides two 12-bit successive approximation A/D converter (ADC12) units. Analog input channels are selectable up to 13 in unit 0 and up to 11 in unit 1. Each 2 analog inputs of unit 0 and 1 are assigned to same port (AN005/AN105, AN006/AN106), up to 22 ports are available as analog input. The temperature sensor output and an internal reference voltage are selectable for conversion of each unit 0 and 1.

The A/D conversion accuracy is selectable from 12-, 10-, and 8-bit conversion, making it possible to optimize the trade-off between speed and resolution in generating a digital value.

ADC12 features include:

- 13 channels (unit 0), 11 channels (unit 1), Total usable 22 channels

2.2 Page 1681

Before

**Table 47.1 ADC12 specifications (1 of 3)**

Parameter	Specifications
Number of units	Two units, 0 and 1
Input channels	<ul style="list-style-type: none"> <li>• Unit 0: Up to 13 channels</li> <li>• Unit 1: Up to 11 channels</li> </ul>

After

**Table 47.1 ADC12 specifications (1 of 3)**

Parameter	Specifications
Number of units	Two units, 0 and 1
Input channels	<ul style="list-style-type: none"> <li>• Unit 0: Up to 13 channels</li> <li>• Unit 1: Up to 11 channels (2 channels share same port pin)</li> </ul>

2.3 Page 1683

Before

**Table 47.2 ADC12 functions**

Parameter	Unit 0 (ADC120)	Unit 1 (ADC121)
Analog input channel	AN000 to AN007, AN016 to AN020 Internal reference voltage Temperature sensor output	AN100 to AN103, AN105 to AN107, AN116 to AN119 Internal reference voltage Temperature sensor output

After

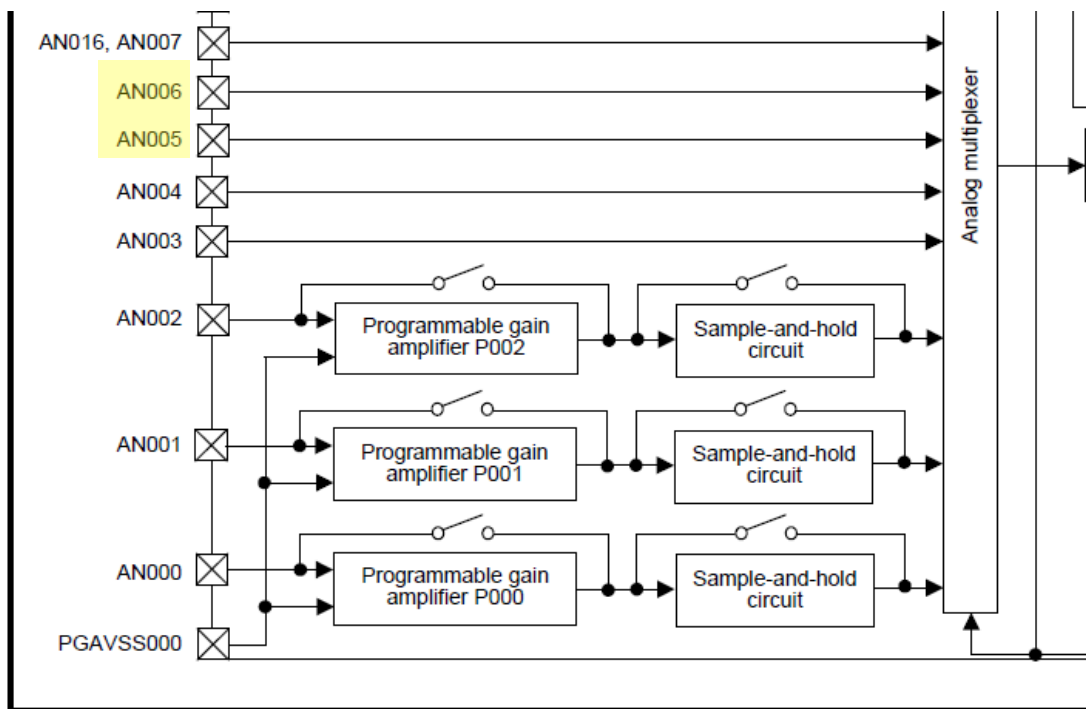
**Table 47.2 ADC12 functions**

Parameter	Unit 0 (ADC120)	Unit 1 (ADC121)
Analog input channel *3	AN000 to AN007, AN016 to AN020 Internal reference voltage Temperature sensor output	AN100 to AN103, AN105 to AN107, AN116 to AN119 Internal reference voltage Temperature sensor output

Note 3. AN005 & AN105 and AN006 & AN106 are assigned to same port pin.

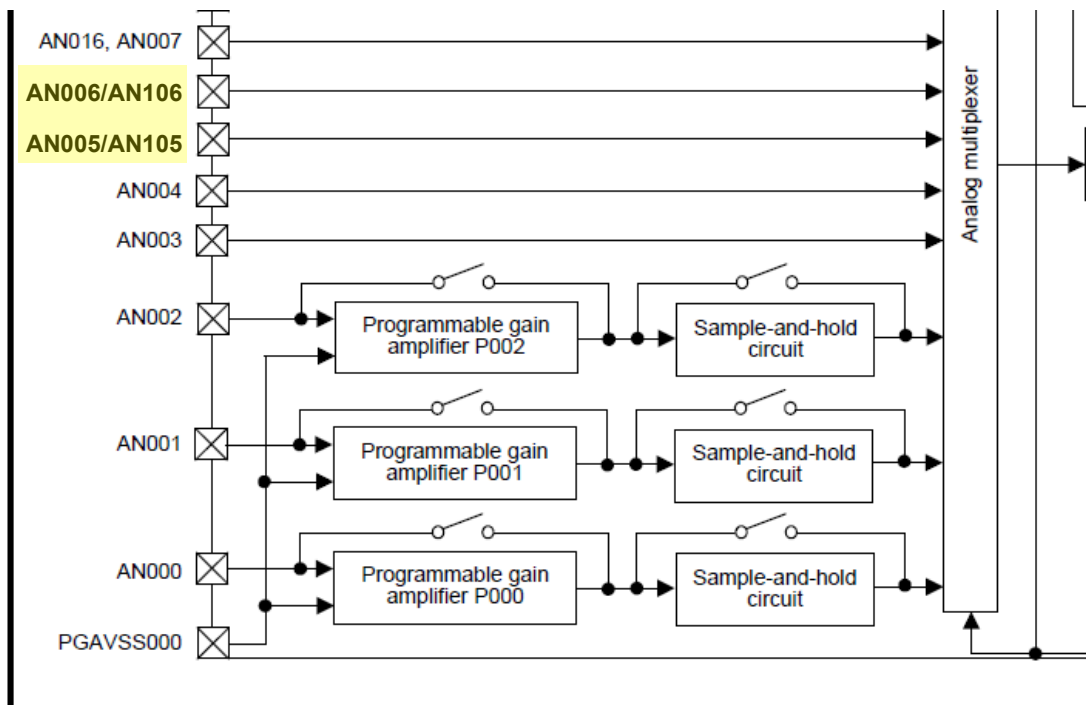
2.4 Page 1684

Before



**Figure 47.1 ADC12 unit 0 block diagram**

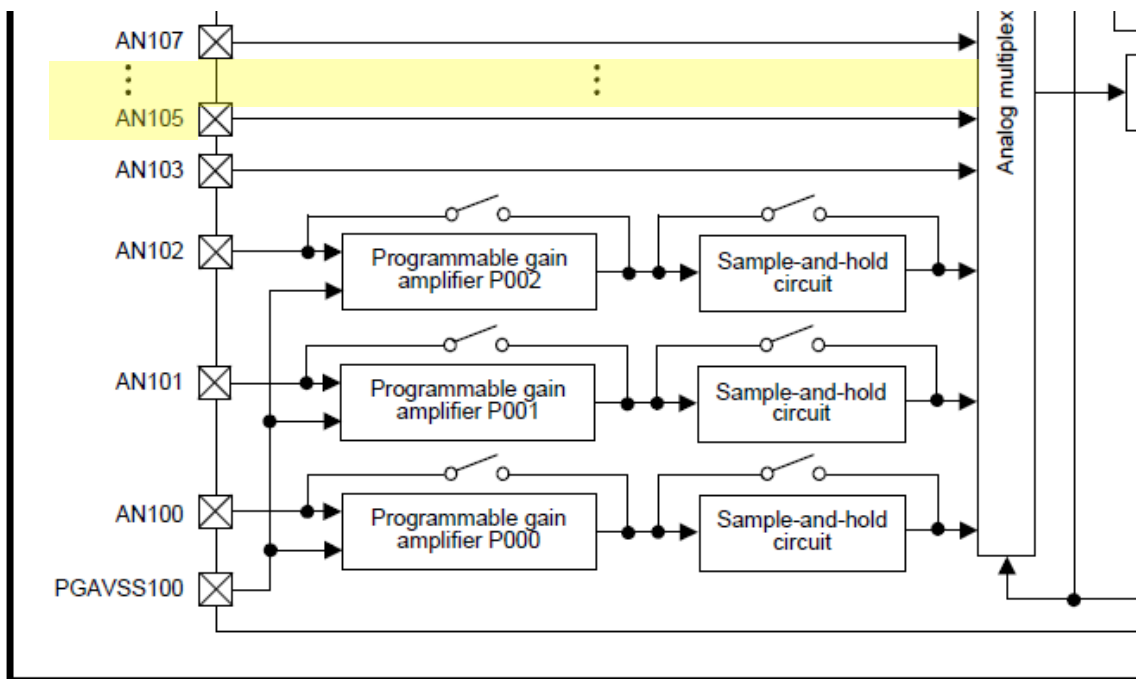
After



**Figure 47.1 ADC12 unit 0 block diagram**

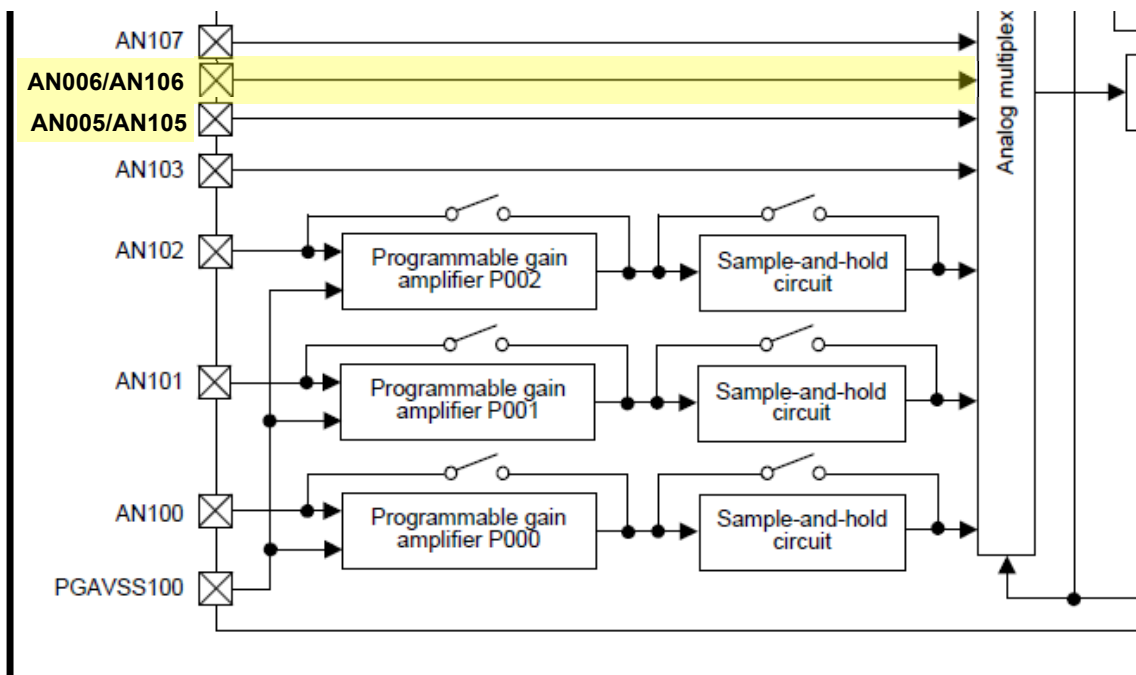
2.5 Page 1685

Before



**Figure 47.2 ADC12 unit 1 block diagram**

After



**Figure 47.2 ADC12 unit 1 block diagram**

## 2.6 Page 1685

Before

**Table 47.3 ADC12 I/O pins**

Unit	Pin name	I/O	Function
Unit 0	AVCC0	Input	Analog block power supply pin
	AVSS0	Input	Analog block power supply ground pin
	VREFH0	Input	Reference power supply pin
	VREFL0	Input	Reference power supply ground pin
	AN000 to AN007, AN016 to AN020	Input	Analog input pins 0 to 7 and 16 to 20
	ADTRG0	Input	External trigger input pin for starting A/D conversion, active low
	PGAVSS000	Input	Differential input pin
Unit 1	AVCC0	Input	Analog block power supply pin
	AVSS0	Input	Analog block power supply ground pin
	VREFH	Input	Reference power supply pin for ADC12 unit 1 and DAC
	VRELF	Input	Reference power supply ground pin for ADC12 unit 1 and DAC
	AN100 to AN103, AN105 to AN107, AN116 to AN119	Input	Analog input pins 0 to 3, 5 to 7, and 16 to 19
	ADTRG1	Input	External trigger input pin for starting A/D conversion, active low
	PGAVSS100	Input	Differential input pin

After

**Table 47.3 ADC12 I/O pins**

Unit	Pin name	I/O	Function
Unit 0	AVCC0	Input	Analog block power supply pin
	AVSS0	Input	Analog block power supply ground pin
	VREFH0	Input	Reference power supply pin
	VREFL0	Input	Reference power supply ground pin
	AN000 to AN007, *1 AN016 to AN020	Input	Analog input pins 0 to 7 and 16 to 20
	ADTRG0	Input	External trigger input pin for starting A/D conversion, active low
	PGAVSS000	Input	Differential input pin
Unit 1	AVCC0	Input	Analog block power supply pin
	AVSS0	Input	Analog block power supply ground pin
	VREFH	Input	Reference power supply pin for ADC12 unit 1 and DAC
	VRELF	Input	Reference power supply ground pin for ADC12 unit 1 and DAC
	AN100 to AN103, AN105 to AN107, *1 AN116 to AN119	Input	Analog input pins 0 to 3, 5 to 7, and 16 to 19
	ADTRG1	Input	External trigger input pin for starting A/D conversion, active low
	PGAVSS100	Input	Differential input pin

Note 1. AN005 & AN105 and AN006 & AN106 are assigned to same port pin.