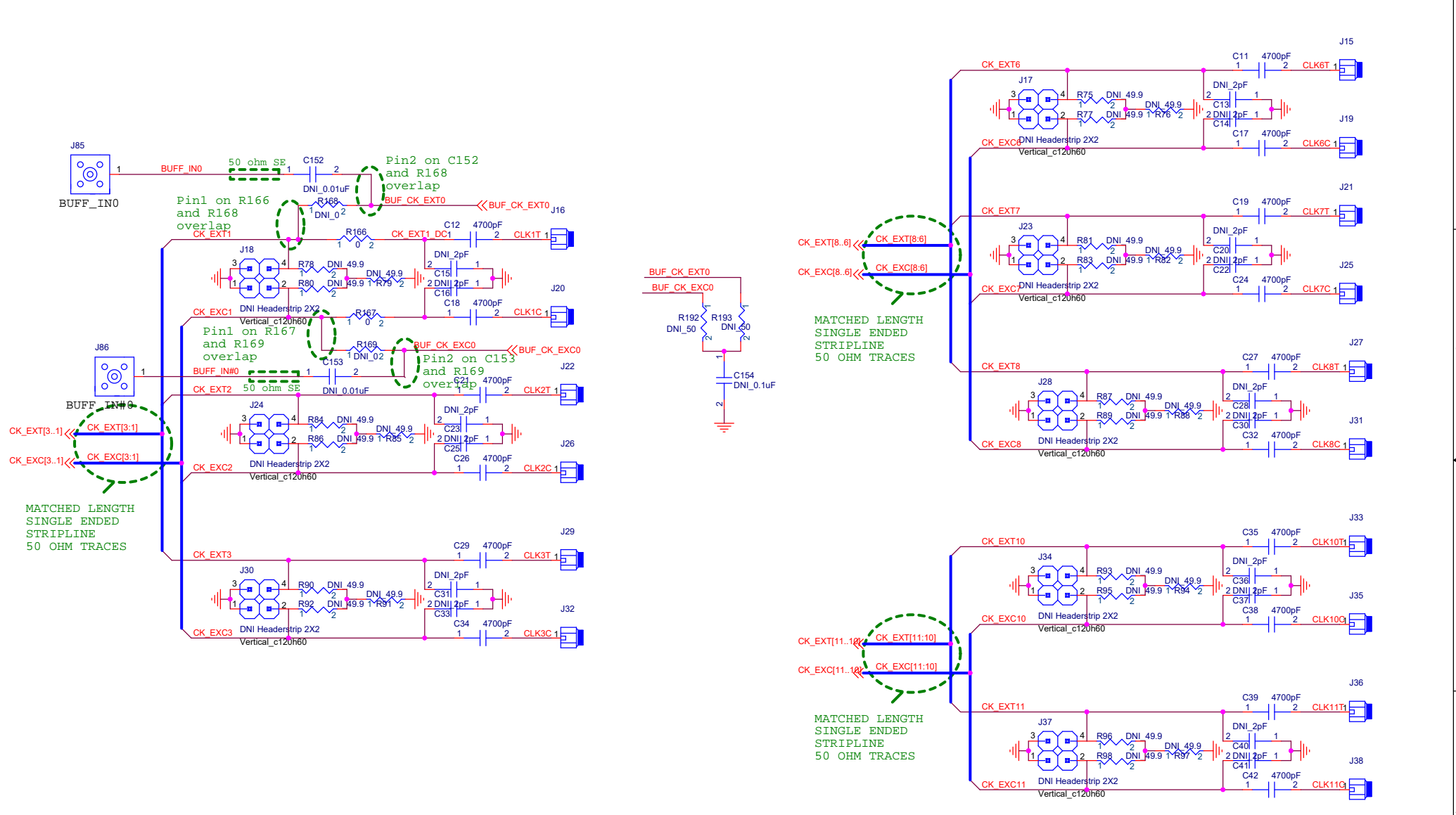


(OC) RC26008/RC26012 (SPI Mode) RC21008/RC21012 (Auto-Clock)

GPIO0 / SOD\_ACTIVE# / SDIO (3-Wire) / INT\_output  
 GPIO1 / SFRST# / SEL#0 PIN / Fault\_output  
 GPIO2 / HRDRST# / SEL#1 PIN / OE function  
 GPIO3 / RSTOUT# / OE function  
 GPIO4 / RESET\_IN# / OE function  
 GPIO10 / SPT+ / 2nd Xtal  
 GPIO11 / SPT- / 2nd Xtal  
 GPIO2 (GPIO5) / OC\_Active# / SEL1 function  
 GPIO3 (GPIO6) / SOD\_EN# / SEL0 function

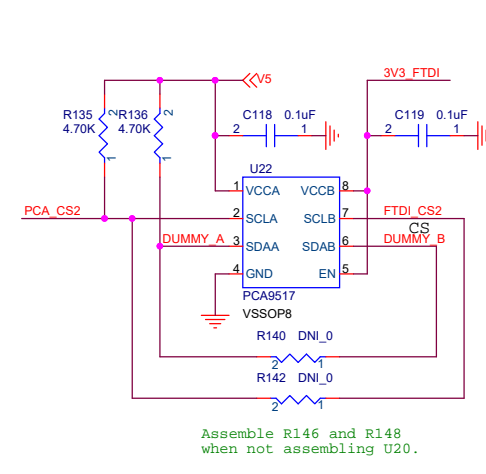
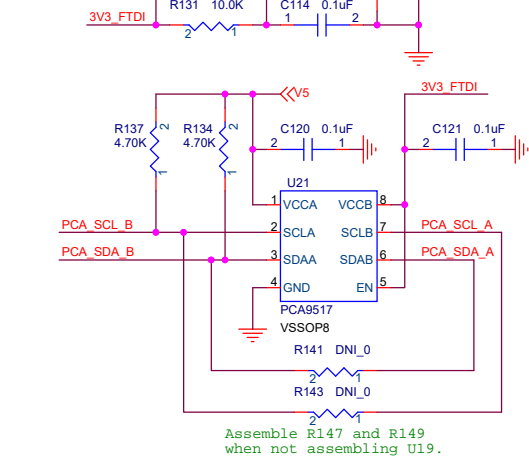
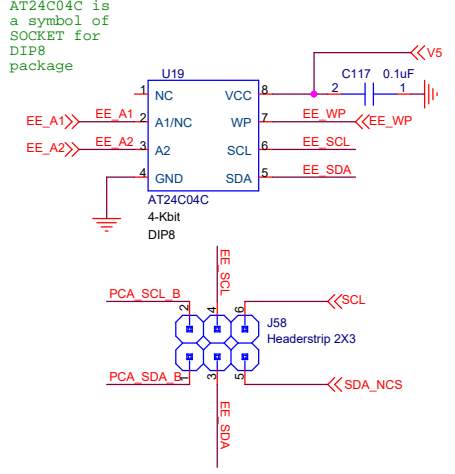
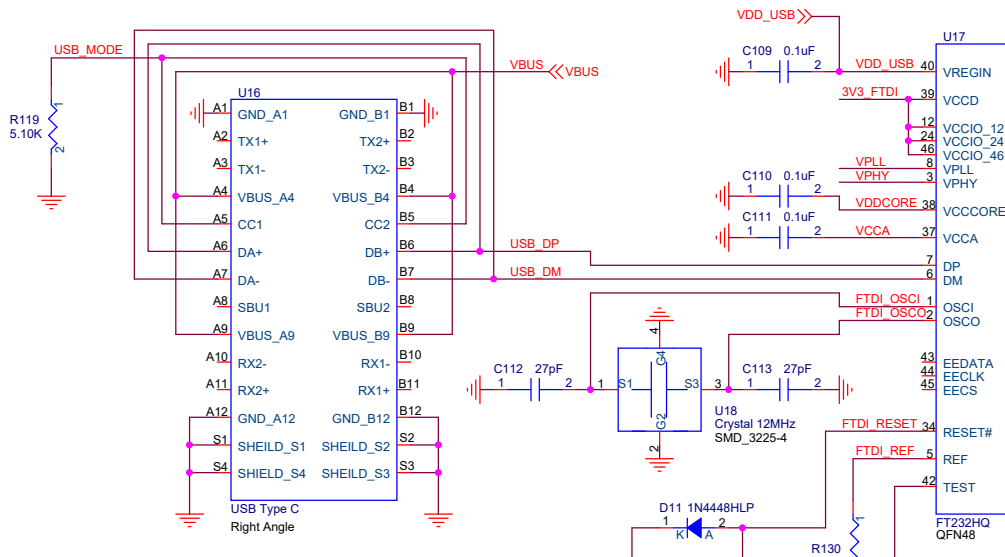
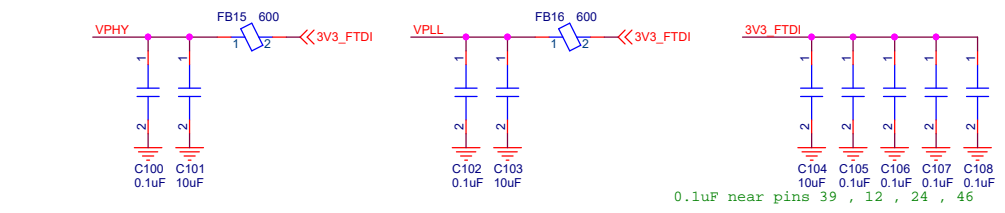
LED is on when GPI/GPIO Pin is high.

Title			VC7 and QBuffer Evaluation Board
Size C			Document Number
Date:			Tuesday, April 06, 2021
Sheet			1 of 5
Rev			A



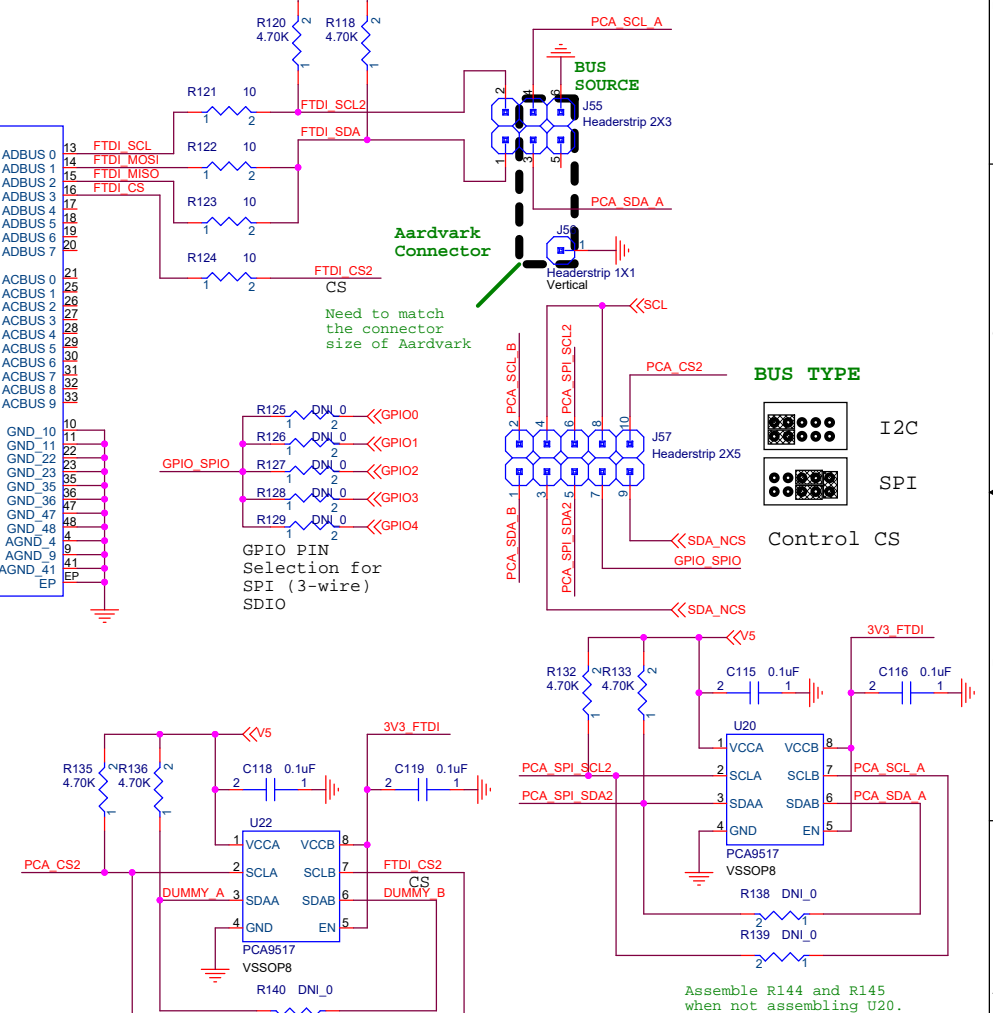
Title		
VC7 and QBuffer Evaluation Board		
Size	Document Number	Rev
B	VC7 and QBuffer Evaluation Board	A
Date:	Tuesday, April 06, 2021	Sheet 2 of 5



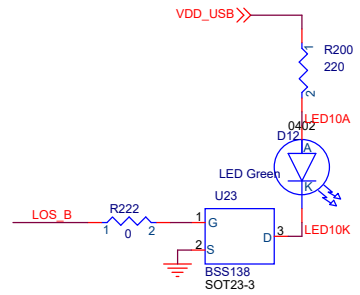
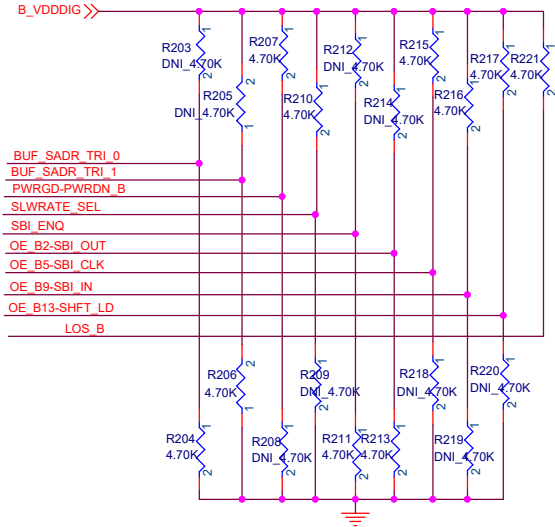
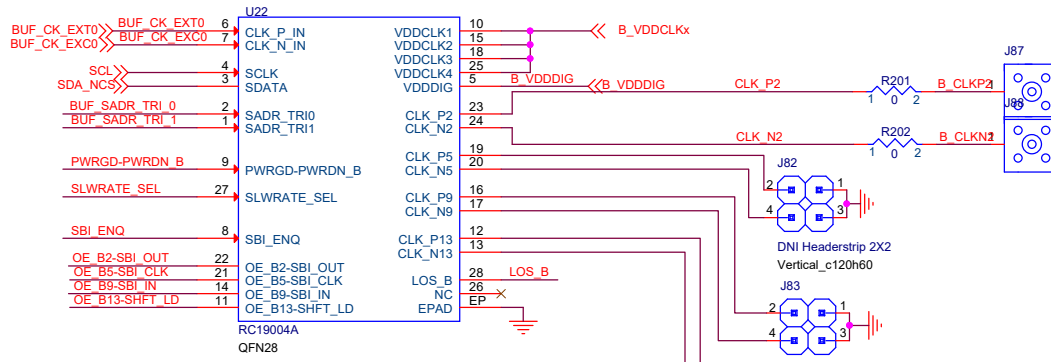


FTDI Controls  
I2C/SPI

Aardvark Connector  
on pins 3, 4 and 6  
for I2C control.



Title		
VC7 and QBuffer Evaluation Board		
Size	Document Number	Rev
B	VC7 and QBuffer Evaluation Board	A
Date:	Tuesday, April 06, 2021	Sheet 4 of 5



Title		
VC7 and QBuffer Evaluation Board		
Size	Document Number	Rev
B	VC7 and QBuffer Evaluation Board	A
Date:	Tuesday, April 06, 2021	Sheet 5 of 5