

ISL28133ISENSEV1Z

Evaluation Board User Guide

AN1480
Rev.2.00
Jul 18, 2011

The ISL28133ISENSEV1Z evaluation board contains a complete precision current sense amplifier using the ISL28133 chopper amplifier in a high side, low side of floating supply current sense application.

The advantages of the ISL28133 in this application include very low offset voltage (2μV typical) and offset drift (0.07μV/°C), rail-to-rail input and output, and low power consumption (18μA typical). These features provide a very high degree of precision for use in 5V, low power applications.

Reference Documents

- Data Sheet ([ISL28133](#))

Evaluation Board Key Features

The ISL28133ISENSEV1Z operates from a single 1.65VDC to +5.5VDC supply. The current sense function is configured as a single stage, balanced input, trans-impedance amplifier. A 0.1Ω 0.1% current sense resistor is used convert the incoming current to a voltage which is applied to a precision differential amplifier with a gain of 100. The overall current to voltage transfer ratio is 10V/A, and a bidirectional current range of ±0.25A is achieved when operating from a +5V supply, using a 2.5V reference voltage (V_{REF}). At +25°C, the ISL28133 achieves a total full scale offset error of 0.038% (when a precision external reference is used) and approximately 0.15% using the internal 0.1% resistors.

The total current draw from the amplifier power is less than 35μA and the total leakage current from the current sense input is less than 3μA.

Power Supply and Protection Features

External power connections are made through the +V, and ground jacks. The single supply input is overvoltage protected using a series 100Ω resistor and a 5.6V Zener diode (D1). Reverse polarity protection uses the 100Ω resistor and two protection diode pairs (D3, D4). These also provide input common mode voltage protection to the op amp.

Input Protection Clamp Options

Included on the evaluation board are optional input protection circuits that illustrate the best methods to limit input common mode and differential transient voltage spikes in exposed or electrically hazardous applications. The ISL28133 can handle input common mode and differential transients to a diode drop beyond the rails, or to a range of -0.5V to +5.5V when operating from a single 5V supply.

Clamp diodes D3A, B, D4A, B and input resistors R6, R7, R8, R9 form a current limiting, 6V common mode and differential voltage clamp. This clamp provides sufficient protection for the ISL28133 for common mode fault voltages far beyond the power supply rails. These diodes also provide the same 6V protection against large differential transients.

High speed current sensing may involve filtering repetitive current transients with high peak to average values. In these

cases, limiting these transient even further will improve amplifier response and overload settling time. The optional Schottky diode transient clamp D2 reduces transients let through by the common mode clamp from 6V down to ~ ±0.3V, which improves overload recovery time. Capacitors C7 and C9 provide common mode noise filtering and capacitor C8 can be used to filter the current sense signal.

Current Sense Gain Equations

The current sense amplifier in Figure 1 forms a trans-impedance amplifier whose gain is in units of V/A and is determined by the ratios of resistor pairs. R11:R8 and R14:R9. Resistor R11 is set equal to R14 and R8 is set equal to R9. This matching cancels the input offset voltage errors caused by the op amp input bias currents, leaving behind only the offset voltage errors caused by the ISL28133 input offset current (I_{OS}).

The I_{SENSE} to V_{OUT} DC transfer function is given by Equation 1:

$$V_{OUT} = \left[I_{SENSE} \times R_{SENSE} \times \frac{R14}{R9} \right] + V_{REF} \quad (EQ. 1)$$

where:

$$R11 = R14 \text{ and } R6 + R8 = R7 + R9$$

On the evaluation board, the R12, R9 resistor ratio is 100:1 (499kΩ: 4.9kΩ), and R_{SENSE} is 0.1Ω for a trans-impedance gain given by Equation 2:

$$\frac{V_{SENSE}}{I_{SENSE}} = 10 \frac{V}{A} \quad (EQ. 2)$$

Input Range and Offset Error Analysis

The ISL28133 output swings from rail-to-rail, and the evaluation board has a bi-directional output range of $V_{REF} \pm 2.5V$ when operated from a +5V supply and V_{REF} is set to $V_S/2$. The evaluation board contains a jumper-selectable, internal $V_S/2$ reference or an external reference (V_{REF} pin). With V_{REF} set to +2.5, the full scale output range is $0 \pm 0.25A$.

The very low offset voltage (±8μV +25°C max) and offset current (300pA +25°C max) of the ISL28133 enable the use of very high values resistors for low current consumption while maintaining excellent precision in battery operated circuits. The total offset voltage contribution of the ISL28133 is the sum of the input offset voltage (V_{OS}) and the offset voltage produced by the input offset current (I_{OS}) through the gain resistors and using the evaluation board resistor values and the data sheet maximum +25°C V_{OS} gives the total input offset voltage as shown in Equations 3, 4 and 5:

$$V_{OS(Total)} = \left(I_{OS} \times \frac{R14 \times R9}{R14 + R9} \right) + V_{OS} \quad (EQ. 3)$$

$$V_{OS(Total)} = \left(3e - 10 \times \frac{R14 \times R9}{R14 + R9} \right) + 8\mu V \quad (EQ. 4)$$

$$V_{OS(Total)} = (3e - 10 \times 4950) + 8\mu V = 9.5\mu V \quad (EQ. 5)$$

Multiplying the ISL28133 input offset voltage by the amplifier gain allows the input offset error to be expressed as a percent of full scale output voltage.

$$\% \text{ F.S. Error} = \frac{\left(V_{OS} \times \frac{R14}{R9} \right)}{\pm 2.5V} = \pm 0.038\% \quad (\text{EQ. 6})$$

Using the Evaluation Board

The evaluation board has separate connections for the amplifier power supply, an output zero reference (V_{REF}), and the current sense terminals. The correct inter-connection between the I-SENSE terminals and the V_{REF} terminals are needed to implement the different types of current sense configurations.

The I-SENSE + and I-SENSE - connections to the measured circuit determine the polarity of the amplifier output voltage. Establishing a current flow from the I-SENSE + to I-SENSE - causes the output voltage to increase in proportion to the input current. Reversing the I-SENSE current flow reverses the output polarity.

The voltage applied to the V_{REF} pin defines the amplifier output zero current level, and must be between 0V and +5V. For bi-directional current sensing, a reference midway between the ground and the supply voltage will maximize the output span. For example, a $V_{REF} = +2.5V$ would be the best choice for +5V power supply. The jumper selectable internal voltage divider is provided for this internal reference. The +2.5V will establish an output current scale setting $OA = +2.5V$, but the accuracy is determined by the voltage divider accuracy (0.1% resistors on the evaluation board). Connecting the jumper to the external reference position enables an external reference source to be used.

Figure 2 shows the connections to implement a high side, bi-directional current sense with the ability to monitor the charging current. Figure 3 shows the connection for uni-directional ground referenced current sensing. The ISL28133 maintains precision performance from rail-to-rail making precision ground-side sensing possible.

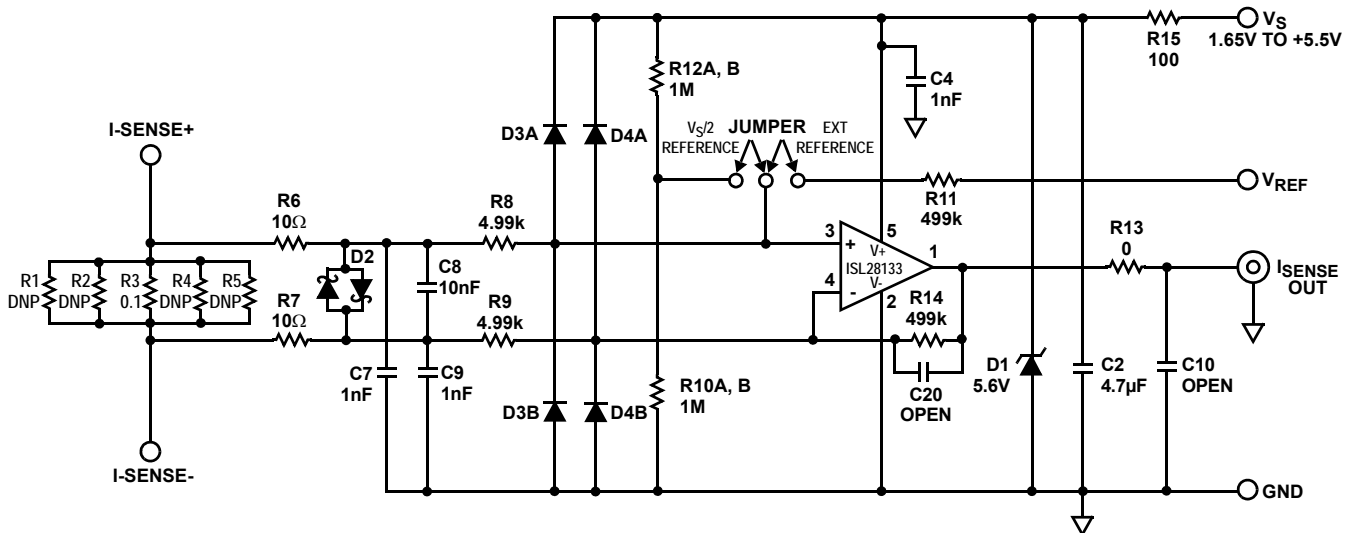


FIGURE 1. ISL28133 DIFFERENTIAL CURRENT SENSE AMPLIFIER

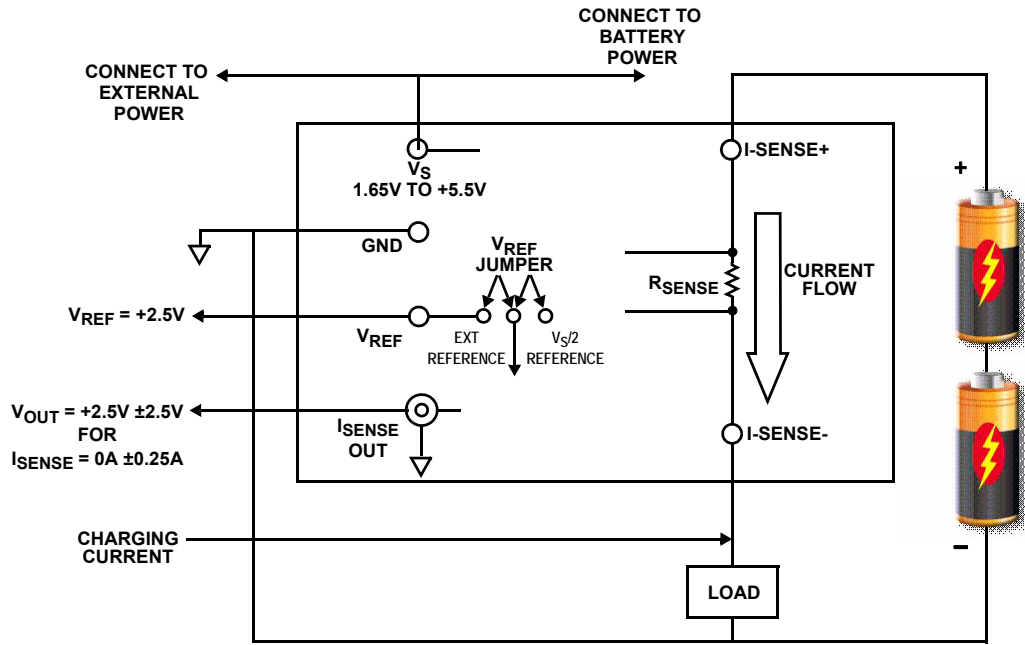


FIGURE 2. CURRENT SENSE FOR HIGH-SIDE BI-DIRECTIONAL RE-CHARGABLE BATTERY SUPPLY

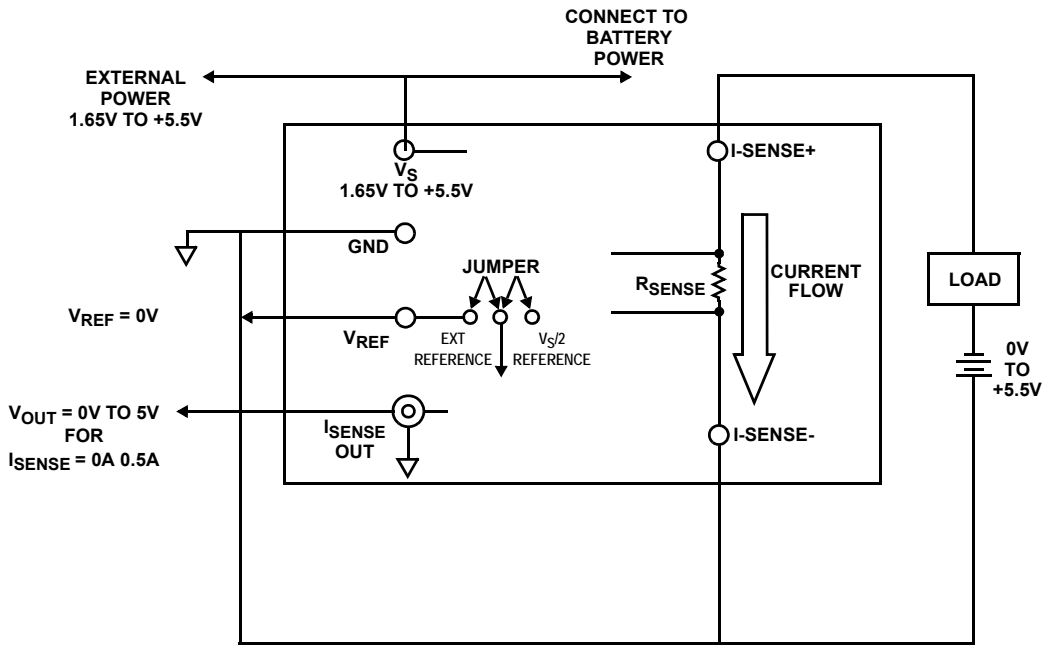
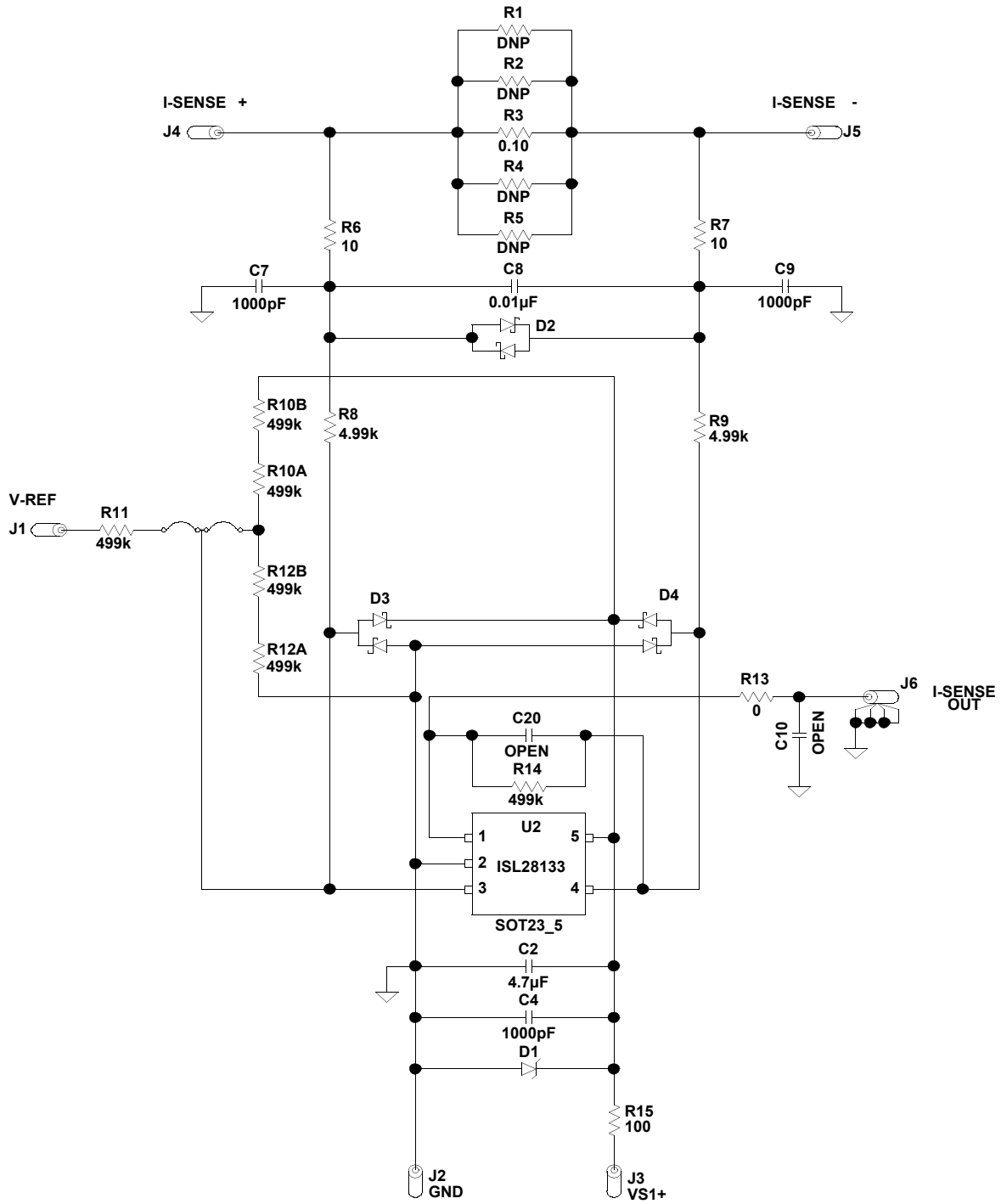


FIGURE 3. CURRENT SENSE FOR LOW SIDE UNI-DIRECTIONAL MEASUREMENT

ISL28133ISENSEV1Z Components Parts List

DEVICE #	DESCRIPTION	COMMENTS
C2	CAP-SMD, 0805, 4.7 μ F, 50V, 10%, X7R, ROHS	Power supply decoupling
C4, C7, C9	CAP, SMD, 0603, 1000F, 25V, 10%, X7R, ROHS	Power supply decoupling
C8	CAP, SMD, 0603, 0.1 μ F, 25V, 10%, X7R, ROHS	Power supply decoupling
C10, C20	CAP, SMD, 0603, DNP-PLACE HOLDER, ROHS	User-selectable capacitors - not populated
D1	Zener Diode ROHS	Reverse power protection
D2- D4	DIODE-SCHOTTKY BARRIER, SMD, SOT-23, 3P, 40V, ROHS	Reverse power protection
R13	RESISTOR, SMD, 0603, 0 Ω , 1/16W, 0.1%, TF, ROHS	0 Ω user selectable resistors
R1- R5	RES, SMD, 0805, 0.1 Ω , 1/10W, 0.1%, TF, ROHS	Current sense resistors
R6, R7	RES, SMD, 0805, 10 Ω , 1/10W, 0.1%, TF, ROHS	Protection resistors
R15	RES, SMD, 0805, 100 Ω , 1/10W, 0.1%, TF, ROHS	Protection resistors
R8, R9	RES, SMD, 0805, 4.99k Ω , 1/10W, 0.1%, TF, ROHS	0 Ω user selectable resistors
R11, R14, R10A, R10B, R12A, R12B	RES, SMD, 0805, 499k Ω , 1/10W, 0.1%, TF, ROHS	Gain and other user selectable resistors
U1 (ISL28133FHZ-T7)	IC-5 MHz, RRIO OP AMP, SOT23_5, ROHS	
R1, R2, R4, R5	RES, SMD, 0805, DNP	Optional sense resistors

ISL28133ISENSEV1Z Schematic Diagram



Notice

1. Descriptions of circuits, software and other related information in this document are provided only to illustrate the operation of semiconductor products and application examples. You are fully responsible for the incorporation or any other use of the circuits, software, and information in the design of your product or system. Renesas Electronics disclaims any and all liability for any losses and damages incurred by you or third parties arising from the use of these circuits, software, or information.
2. Renesas Electronics hereby expressly disclaims any warranties against and liability for infringement or any other claims involving patents, copyrights, or other intellectual property rights of third parties, by or arising from the use of Renesas Electronics products or technical information described in this document, including but not limited to, the product data, drawings, charts, programs, algorithms, and application examples.
3. No license, express, implied or otherwise, is granted hereby under any patents, copyrights or other intellectual property rights of Renesas Electronics or others.
4. You shall not alter, modify, copy, or reverse engineer any Renesas Electronics product, whether in whole or in part. Renesas Electronics disclaims any and all liability for any losses or damages incurred by you or third parties arising from such alteration, modification, copying or reverse engineering.
5. Renesas Electronics products are classified according to the following two quality grades: "Standard" and "High Quality". The intended applications for each Renesas Electronics product depends on the product's quality grade, as indicated below.
"Standard": Computers; office equipment; communications equipment; test and measurement equipment; audio and visual equipment; home electronic appliances; machine tools; personal electronic equipment; industrial robots; etc.
"High Quality": Transportation equipment (automobiles, trains, ships, etc.); traffic control (traffic lights); large-scale communication equipment; key financial terminal systems; safety control equipment; etc.
Unless expressly designated as a high reliability product or a product for harsh environments in a Renesas Electronics data sheet or other Renesas Electronics document, Renesas Electronics products are not intended or authorized for use in products or systems that may pose a direct threat to human life or bodily injury (artificial life support devices or systems; surgical implantations; etc.), or may cause serious property damage (space system; undersea repeaters; nuclear power control systems; aircraft control systems; key plant systems; military equipment; etc.). Renesas Electronics disclaims any and all liability for any damages or losses incurred by you or any third parties arising from the use of any Renesas Electronics product that is inconsistent with any Renesas Electronics data sheet, user's manual or other Renesas Electronics document.
6. When using Renesas Electronics products, refer to the latest product information (data sheets, user's manuals, application notes, "General Notes for Handling and Using Semiconductor Devices" in the reliability handbook, etc.), and ensure that usage conditions are within the ranges specified by Renesas Electronics with respect to maximum ratings, operating power supply voltage range, heat dissipation characteristics, installation, etc. Renesas Electronics disclaims any and all liability for any malfunctions, failure or accident arising out of the use of Renesas Electronics products outside of such specified ranges.
7. Although Renesas Electronics endeavors to improve the quality and reliability of Renesas Electronics products, semiconductor products have specific characteristics, such as the occurrence of failure at a certain rate and malfunctions under certain use conditions. Unless designated as a high reliability product or a product for harsh environments in a Renesas Electronics data sheet or other Renesas Electronics document, Renesas Electronics products are not subject to radiation resistance design. You are responsible for implementing safety measures to guard against the possibility of bodily injury, injury or damage caused by fire, and/or danger to the public in the event of a failure or malfunction of Renesas Electronics products, such as safety design for hardware and software, including but not limited to redundancy, fire control and malfunction prevention, appropriate treatment for aging degradation or any other appropriate measures. Because the evaluation of microcomputer software alone is very difficult and impractical, you are responsible for evaluating the safety of the final products or systems manufactured by you.
8. Please contact a Renesas Electronics sales office for details as to environmental matters such as the environmental compatibility of each Renesas Electronics product. You are responsible for carefully and sufficiently investigating applicable laws and regulations that regulate the inclusion or use of controlled substances, including without limitation, the EU RoHS Directive, and using Renesas Electronics products in compliance with all these applicable laws and regulations. Renesas Electronics disclaims any and all liability for damages or losses occurring as a result of your noncompliance with applicable laws and regulations.
9. Renesas Electronics products and technologies shall not be used for or incorporated into any products or systems whose manufacture, use, or sale is prohibited under any applicable domestic or foreign laws or regulations. You shall comply with any applicable export control laws and regulations promulgated and administered by the governments of any countries asserting jurisdiction over the parties or transactions.
10. It is the responsibility of the buyer or distributor of Renesas Electronics products, or any other party who distributes, disposes of, or otherwise sells or transfers the product to a third party, to notify such third party in advance of the contents and conditions set forth in this document.
11. This document shall not be reprinted, reproduced or duplicated in any form, in whole or in part, without prior written consent of Renesas Electronics.
12. Please contact a Renesas Electronics sales office if you have any questions regarding the information contained in this document or Renesas Electronics products.
(Note 1) "Renesas Electronics" as used in this document means Renesas Electronics Corporation and also includes its directly or indirectly controlled subsidiaries.
(Note 2) "Renesas Electronics product(s)" means any product developed or manufactured by or for Renesas Electronics.

(Rev.4.0-1 November 2017)



SALES OFFICES

Renesas Electronics Corporation

<http://www.renesas.com>

Refer to "<http://www.renesas.com/>" for the latest and detailed information.

Renesas Electronics America Inc.
1001 Murphy Ranch Road, Milpitas, CA 95035, U.S.A.
Tel: +1-408-432-8888, Fax: +1-408-434-5351

Renesas Electronics Canada Limited
9251 Yonge Street, Suite 8309 Richmond Hill, Ontario Canada L4C 9T3
Tel: +1-905-237-2004

Renesas Electronics Europe Limited
Dukes Meadow, Millboard Road, Bourne End, Buckinghamshire, SL8 5FH, U.K.
Tel: +44-1628-651-700, Fax: +44-1628-651-804

Renesas Electronics Europe GmbH
Arcadiastrasse 10, 40472 Düsseldorf, Germany
Tel: +49-211-6503-0, Fax: +49-211-6503-1327

Renesas Electronics (China) Co., Ltd.
Room 1709 Quantum Plaza, No.27 ZhichunLu, Haidian District, Beijing, 100191 P. R. China
Tel: +86-10-8235-1155, Fax: +86-10-8235-7679

Renesas Electronics (Shanghai) Co., Ltd.
Unit 301, Tower A, Central Towers, 555 Langao Road, Putuo District, Shanghai, 200333 P. R. China
Tel: +86-21-2226-0888, Fax: +86-21-2226-0999

Renesas Electronics Hong Kong Limited
Unit 1601-1611, 16/F., Tower 2, Grand Century Place, 193 Prince Edward Road West, Mongkok, Kowloon, Hong Kong
Tel: +852-2265-6688, Fax: +852-2886-9022

Renesas Electronics Taiwan Co., Ltd.
13F, No. 363, Fu Shing North Road, Taipei 10543, Taiwan
Tel: +886-2-8175-9600, Fax: +886-2-8175-9670

Renesas Electronics Singapore Pte. Ltd.
80 Bendemeer Road, Unit #06-02 Hyflux Innovation Centre, Singapore 339949
Tel: +65-6213-0200, Fax: +65-6213-0300

Renesas Electronics Malaysia Sdn.Bhd.
Unit 1207, Block B, Menara Amcorp, Amcorp Trade Centre, No. 18, Jln Persiaran Barat, 46050 Petaling Jaya, Selangor Darul Ehsan, Malaysia
Tel: +60-3-7955-9390, Fax: +60-3-7955-9510

Renesas Electronics India Pvt. Ltd.
No.777C, 100 Feet Road, HAL 2nd Stage, Indiranagar, Bangalore 560 038, India
Tel: +91-80-67208700, Fax: +91-80-67208777

Renesas Electronics Korea Co., Ltd.
17F, KAMCO Yangjae Tower, 262, Gangnam-daero, Gangnam-gu, Seoul, 06265 Korea
Tel: +82-2-558-3737, Fax: +82-2-558-5338