

To our customers,

Old Company Name in Catalogs and Other Documents

On April 1st, 2010, NEC Electronics Corporation merged with Renesas Technology Corporation, and Renesas Electronics Corporation took over all the business of both companies. Therefore, although the old company name remains in this document, it is a valid Renesas Electronics document. We appreciate your understanding.

Renesas Electronics website: <http://www.renesas.com>

April 1st, 2010
Renesas Electronics Corporation

Issued by: Renesas Electronics Corporation (<http://www.renesas.com>)

Send any inquiries to <http://www.renesas.com/inquiry>.

Notice

1. All information included in this document is current as of the date this document is issued. Such information, however, is subject to change without any prior notice. Before purchasing or using any Renesas Electronics products listed herein, please confirm the latest product information with a Renesas Electronics sales office. Also, please pay regular and careful attention to additional and different information to be disclosed by Renesas Electronics such as that disclosed through our website.
2. Renesas Electronics does not assume any liability for infringement of patents, copyrights, or other intellectual property rights of third parties by or arising from the use of Renesas Electronics products or technical information described in this document. No license, express, implied or otherwise, is granted hereby under any patents, copyrights or other intellectual property rights of Renesas Electronics or others.
3. You should not alter, modify, copy, or otherwise misappropriate any Renesas Electronics product, whether in whole or in part.
4. Descriptions of circuits, software and other related information in this document are provided only to illustrate the operation of semiconductor products and application examples. You are fully responsible for the incorporation of these circuits, software, and information in the design of your equipment. Renesas Electronics assumes no responsibility for any losses incurred by you or third parties arising from the use of these circuits, software, or information.
5. When exporting the products or technology described in this document, you should comply with the applicable export control laws and regulations and follow the procedures required by such laws and regulations. You should not use Renesas Electronics products or the technology described in this document for any purpose relating to military applications or use by the military, including but not limited to the development of weapons of mass destruction. Renesas Electronics products and technology may not be used for or incorporated into any products or systems whose manufacture, use, or sale is prohibited under any applicable domestic or foreign laws or regulations.
6. Renesas Electronics has used reasonable care in preparing the information included in this document, but Renesas Electronics does not warrant that such information is error free. Renesas Electronics assumes no liability whatsoever for any damages incurred by you resulting from errors in or omissions from the information included herein.
7. Renesas Electronics products are classified according to the following three quality grades: “Standard”, “High Quality”, and “Specific”. The recommended applications for each Renesas Electronics product depends on the product’s quality grade, as indicated below. You must check the quality grade of each Renesas Electronics product before using it in a particular application. You may not use any Renesas Electronics product for any application categorized as “Specific” without the prior written consent of Renesas Electronics. Further, you may not use any Renesas Electronics product for any application for which it is not intended without the prior written consent of Renesas Electronics. Renesas Electronics shall not be in any way liable for any damages or losses incurred by you or third parties arising from the use of any Renesas Electronics product for an application categorized as “Specific” or for which the product is not intended where you have failed to obtain the prior written consent of Renesas Electronics. The quality grade of each Renesas Electronics product is “Standard” unless otherwise expressly specified in a Renesas Electronics data sheets or data books, etc.
 - “Standard”: Computers; office equipment; communications equipment; test and measurement equipment; audio and visual equipment; home electronic appliances; machine tools; personal electronic equipment; and industrial robots.
 - “High Quality”: Transportation equipment (automobiles, trains, ships, etc.); traffic control systems; anti-disaster systems; anti-crime systems; safety equipment; and medical equipment not specifically designed for life support.
 - “Specific”: Aircraft; aerospace equipment; submersible repeaters; nuclear reactor control systems; medical equipment or systems for life support (e.g. artificial life support devices or systems), surgical implantations, or healthcare intervention (e.g. excision, etc.), and any other applications or purposes that pose a direct threat to human life.
8. You should use the Renesas Electronics products described in this document within the range specified by Renesas Electronics, especially with respect to the maximum rating, operating supply voltage range, movement power voltage range, heat radiation characteristics, installation and other product characteristics. Renesas Electronics shall have no liability for malfunctions or damages arising out of the use of Renesas Electronics products beyond such specified ranges.
9. Although Renesas Electronics endeavors to improve the quality and reliability of its products, semiconductor products have specific characteristics such as the occurrence of failure at a certain rate and malfunctions under certain use conditions. Further, Renesas Electronics products are not subject to radiation resistance design. Please be sure to implement safety measures to guard them against the possibility of physical injury, and injury or damage caused by fire in the event of the failure of a Renesas Electronics product, such as safety design for hardware and software including but not limited to redundancy, fire control and malfunction prevention, appropriate treatment for aging degradation or any other appropriate measures. Because the evaluation of microcomputer software alone is very difficult, please evaluate the safety of the final products or system manufactured by you.
10. Please contact a Renesas Electronics sales office for details as to environmental matters such as the environmental compatibility of each Renesas Electronics product. Please use Renesas Electronics products in compliance with all applicable laws and regulations that regulate the inclusion or use of controlled substances, including without limitation, the EU RoHS Directive. Renesas Electronics assumes no liability for damages or losses occurring as a result of your noncompliance with applicable laws and regulations.
11. This document may not be reproduced or duplicated, in any form, in whole or in part, without prior written consent of Renesas Electronics.
12. Please contact a Renesas Electronics sales office if you have any questions regarding the information contained in this document or Renesas Electronics products, or if you have any other inquiries.

(Note 1) “Renesas Electronics” as used in this document means Renesas Electronics Corporation and also includes its majority-owned subsidiaries.

(Note 2) “Renesas Electronics product(s)” means any product developed or manufactured by or for Renesas Electronics.

E8 Emulator

Additional Document for User's Manual

R0E000080KCE00EP30

Renesas Microcomputer Development
Environment System

M16C Family / R8C/Tiny Series

Notes on Connecting the R8C/2E and R8C/2F

Notes regarding these materials

1. This document is provided for reference purposes only so that Renesas customers may select the appropriate Renesas products for their use. Renesas neither makes warranties or representations with respect to the accuracy or completeness of the information contained in this document nor grants any license to any intellectual property rights or any other rights of Renesas or any third party with respect to the information in this document.
2. Renesas shall have no liability for damages or infringement of any intellectual property or other rights arising out of the use of any information in this document, including, but not limited to, product data, diagrams, charts, programs, algorithms, and application circuit examples.
3. You should not use the products or the technology described in this document for the purpose of military applications such as the development of weapons of mass destruction or for the purpose of any other military use. When exporting the products or technology described herein, you should follow the applicable export control laws and regulations, and procedures required by such laws and regulations.
4. All information included in this document such as product data, diagrams, charts, programs, algorithms, and application circuit examples, is current as of the date this document is issued. Such information, however, is subject to change without any prior notice. Before purchasing or using any Renesas products listed in this document, please confirm the latest product information with a Renesas sales office. Also, please pay regular and careful attention to additional and different information to be disclosed by Renesas such as that disclosed through our website. (<http://www.renesas.com>)
5. Renesas has used reasonable care in compiling the information included in this document, but Renesas assumes no liability whatsoever for any damages incurred as a result of errors or omissions in the information included in this document.
6. When using or otherwise relying on the information in this document, you should evaluate the information in light of the total system before deciding about the applicability of such information to the intended application. Renesas makes no representations, warranties or guaranties regarding the suitability of its products for any particular application and specifically disclaims any liability arising out of the application and use of the information in this document or Renesas products.
7. With the exception of products specified by Renesas as suitable for automobile applications, Renesas products are not designed, manufactured or tested for applications or otherwise in systems the failure or malfunction of which may cause a direct threat to human life or create a risk of human injury or which require especially high quality and reliability such as safety systems, or equipment or systems for transportation and traffic, healthcare, combustion control, aerospace and aeronautics, nuclear power, or undersea communication transmission. If you are considering the use of our products for such purposes, please contact a Renesas sales office beforehand. Renesas shall have no liability for damages arising out of the uses set forth above.
8. Notwithstanding the preceding paragraph, you should not use Renesas products for the purposes listed below:
 - (1) artificial life support devices or systems
 - (2) surgical implantations
 - (3) healthcare intervention (e.g., excision, administration of medication, etc.)
 - (4) any other purposes that pose a direct threat to human lifeRenesas shall have no liability for damages arising out of the uses set forth in the above and purchasers who elect to use Renesas products in any of the foregoing applications shall indemnify and hold harmless Renesas Technology Corp., its affiliated companies and their officers, directors, and employees against any and all damages arising out of such applications.
9. You should use the products described herein within the range specified by Renesas, especially with respect to the maximum rating, operating supply voltage range, movement power voltage range, heat radiation characteristics, installation and other product characteristics. Renesas shall have no liability for malfunctions or damages arising out of the use of Renesas products beyond such specified ranges.
10. Although Renesas endeavors to improve the quality and reliability of its products, IC products have specific characteristics such as the occurrence of failure at a certain rate and malfunctions under certain use conditions. Please be sure to implement safety measures to guard against the possibility of physical injury, and injury or damage caused by fire in the event of the failure of a Renesas product, such as safety design for hardware and software including but not limited to redundancy, fire control and malfunction prevention, appropriate treatment for aging degradation or any other applicable measures. Among others, since the evaluation of microcomputer software alone is very difficult, please evaluate the safety of the final products or system manufactured by you.
11. In case Renesas products listed in this document are detached from the products to which the Renesas products are attached or affixed, the risk of accident such as swallowing by infants and small children is very high. You should implement safety measures so that Renesas products may not be easily detached from your products. Renesas shall have no liability for damages arising out of such detachment.
12. This document may not be reproduced or duplicated, in any form, in whole or in part, without prior written approval from Renesas.
13. Please contact a Renesas sales office if you have any questions regarding the information contained in this document, Renesas semiconductor products, or if you have any other inquiries.

Contents

Section 1	Inside the E8 Emulator User's Manual.....	1
Section 2	E8 Emulator Specifications	3
Section 3	Connecting the E8 Emulator to the User System	5
Section 4	E8 Connecting Connector Pin Assignments	7
Section 5	Examples of E8 Connections	9
Section 6	Notes on Using the E8 Emulator.....	13
Section 7	Debugger Setting	19
Section 8	Applicable Tool Chain and Third-party Products	23

This user's manual is applicable to the E8 emulator software V.2.11 Release 00 or later.

Section 1 Inside the E8 Emulator User's Manual

The E8 manual consists of two documents: the E8 User's Manual and the E8 Additional Document for User's Manual (this document). Be sure to read BOTH documents before using the E8 emulator.

(1) E8 Emulator User's Manual

The E8 Emulator User's Manual describes the hardware specifications and how to use the emulator debugger.

- E8 emulator hardware specifications
- Connecting the E8 emulator to the host computer or user system
- Operating the E8 emulator debugger
- Tutorial: From starting up the E8 emulator debugger to debugging

(2) E8 Additional Document for User's Manual

The E8 Additional Document for User's Manual describes content dependent on the MCUs and precautionary notes.

- MCU resources used by the E8 emulator
- Example of the E8 emulator connection or interface circuit necessary for designing the hardware
- Notes on using the E8 emulator
- Setting the E8 emulator debugger during startup

Section 2 E8 Emulator Specifications

Table 2.1 shows the E8 emulator specifications for the R8C/2E and R8C/2F Groups.

Table 2.1 E8 Emulator Specifications for the R8C/2E and R8C/2F Groups

Target MCUs	M16C Family R8C/Tiny Series R8C/2E and R8C/2F Groups
Available operating modes	Single-chip mode
Break functions	- Address match break, 4 points, or Address match break, 2 points + Data condition break, 1 point - PC break points (maximum 255 points) - Forced break
Trace functions	Last 4 branch instructions
Flash memory programming function	Available
User interface	1-line clock asynchronous serial interface (communication via MODE pin)
MCU resources to be used	- ROM size: 2 KB [*1] - Stack 8 bytes - Address match interrupt
Emulator power supply	Unnecessary (USB bus powered, power supplied from the PC)
Interface with host machine	USB (USB 1.1, full speed) * Also connectable to host computers that support USB 2.0
Power supply function	Can supply 3.3 V or 5.0 V to the user system (maximum 300 mA)
Power voltages	3.0 - 5.5 V (f(XIN)=20MHz) 2.7 - 5.5 V (f(XIN)=10MHz)

Note:

1. Varies depending on the MCU. For details, see "Section 6 Notes on Using the E8 Emulator".

Table 2.2 shows the operating environment of the E8 emulator.

Table 2.2 Operating Environment

Temperatures	Active	: 10°C to 35°C
	Inactive	: -10°C to 50°C
Humidity	Active	: 35% RH to 80% RH, no condensation
	Inactive	: 35% RH to 80% RH, no condensation
Vibrations	Active	: maximum 2.45 m/s ²
	Inactive	: maximum 4.9 m/s ²
	Transportation	: maximum 14.7 m/s ²
Ambient gases	No corrosive gases	

Section 3 Connecting the E8 Emulator to the User System

Before connecting the E8 emulator to the user system, a connector must be installed in the user system so a user system interface cable can be connected. When designing the user system, refer to Figure 4.1 “E8 Connecting Connector Pin Assignments” and Figure 5.1 “Example of an E8 Connection”.

Before designing the user system, be sure to read the E8 Emulator User’s Manual and related device hardware manuals.

Table 3.1 shows the recommended connector for the E8 emulator.

Table 3.1 Recommended Connector

	Type Number	Manufacturer	Specification
14-pin connector	2514-6002	3M Limited	14-pin straight type

Connect E8 connecting connector pins 2, 4, 6, 10, 12 and 14 firmly to the GND on the user system board. These pins are used as an electric GND and monitor the connection of the user system connector. Note the pin assignments for the user system connector.

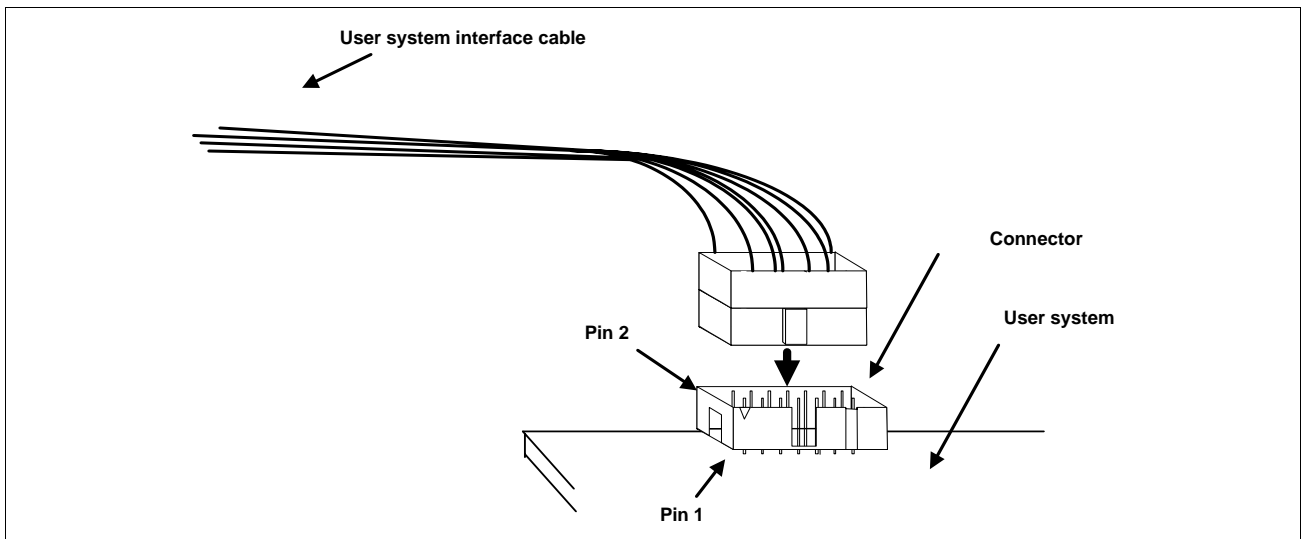


Figure 3.1 Connecting the User System Interface Cable with an E8 Connecting Connector

Notes:

1. Do not place any components within 3 mm area of the connector.
2. When using the E8 emulator as a programmer, connect it to the user system in the same way.

Section 4 E8 Connecting Connector Pin Assignments

Figure 4.1 shows the pin assignments for the E8 connecting connector.

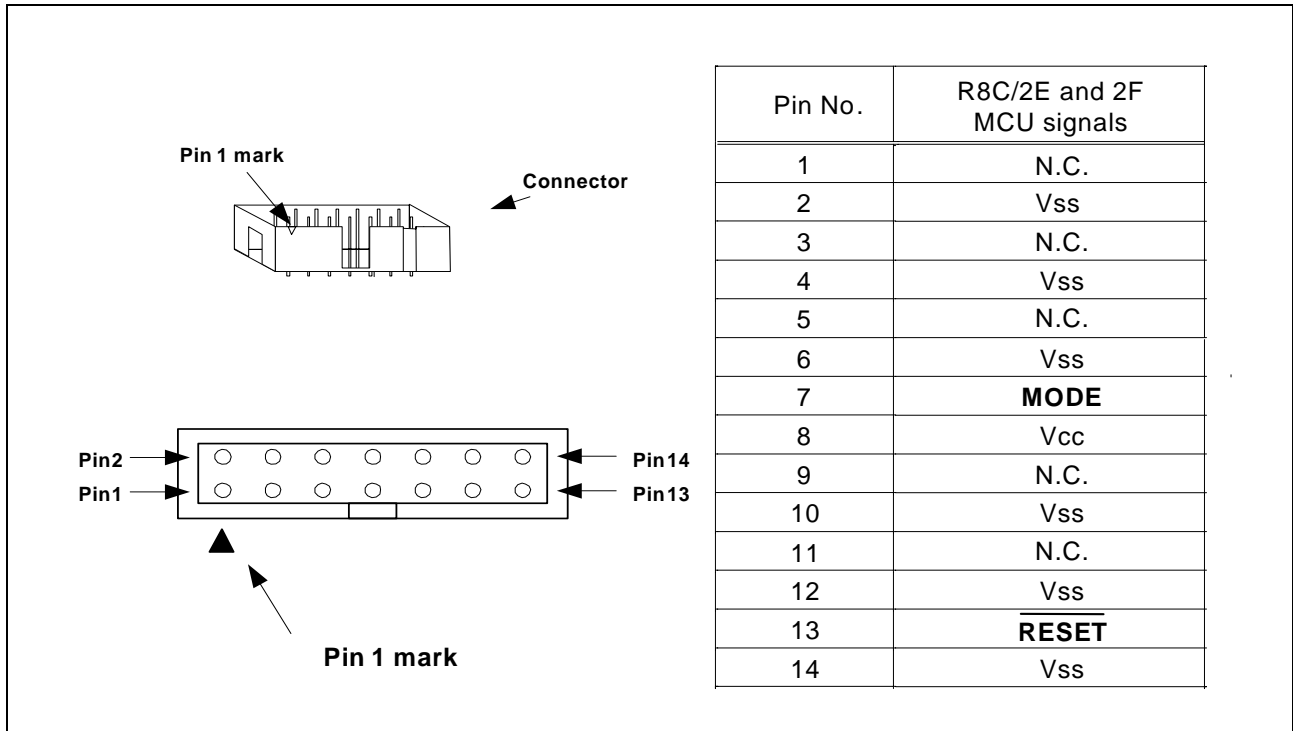


Figure 4.1 E8 Connecting Connector Pin Assignments

Note:

Pin 14 is used for checking the connection between the E8 and the user system, and Pin 4 is connected to the internal circuit. These pins are not directly connected to the Vss inside the E8. Make sure pins 2, 4, 6, 10, 12 and 14 are all connected to the Vss.

Section 5 Examples of E8 Connections

Figure 5.1 shows a connection example.

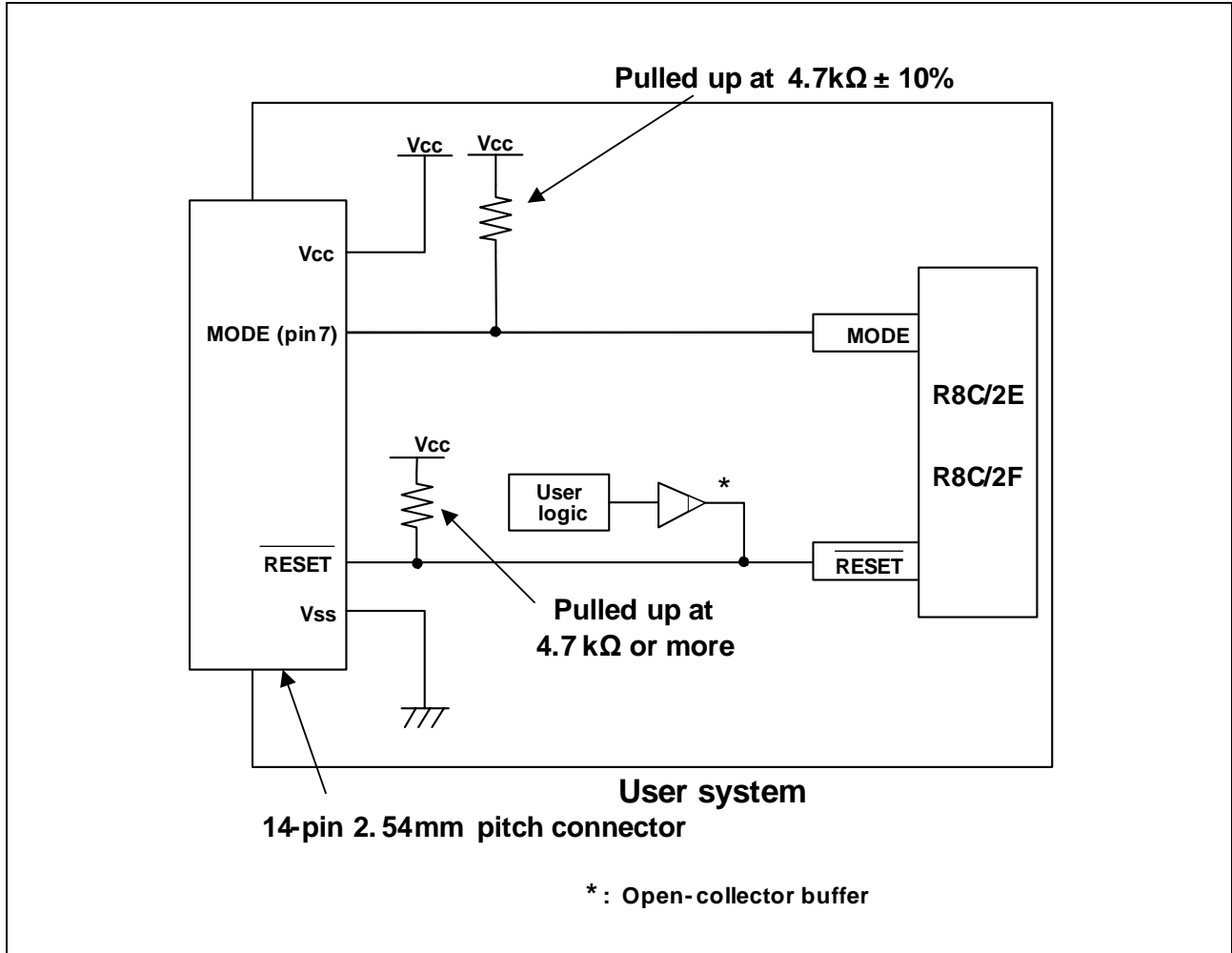


Figure 5.1 Example of an E8 Connection

When using the emulator as a programmer, the connection specification between the E8 and the MCUs is the same as shown in Figure 5.1.

Points to Remember

1. The E8 emulator uses the MODE pin for MCU control and forced break control. Pull up the E8 emulator and MCU pins and connect the E8 emulator.

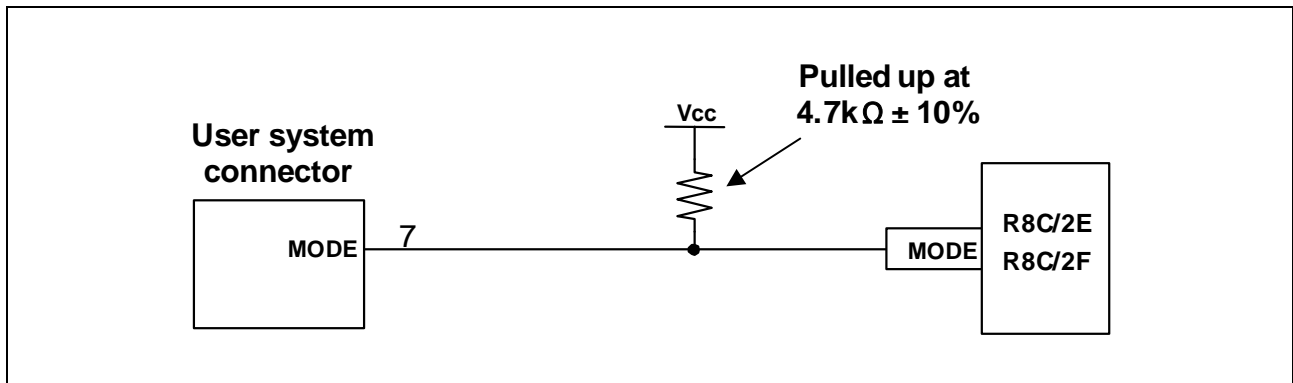


Figure 5.2 E8 Emulator and MODE Pin Connection

2. The $\overline{\text{RESET}}$ pin is used by the E8 emulator. Therefore, use an open-collector output buffer or a CR reset circuit as the reset circuit for the user system. The recommended pull-up value is 4.7 k Ω or more. The MCU can be reset by outputting “L” from the E8 emulator. However, if the reset IC output is “H”, the user system reset circuit cannot be set to “L”. As such, the E8 emulator will not operate normally.

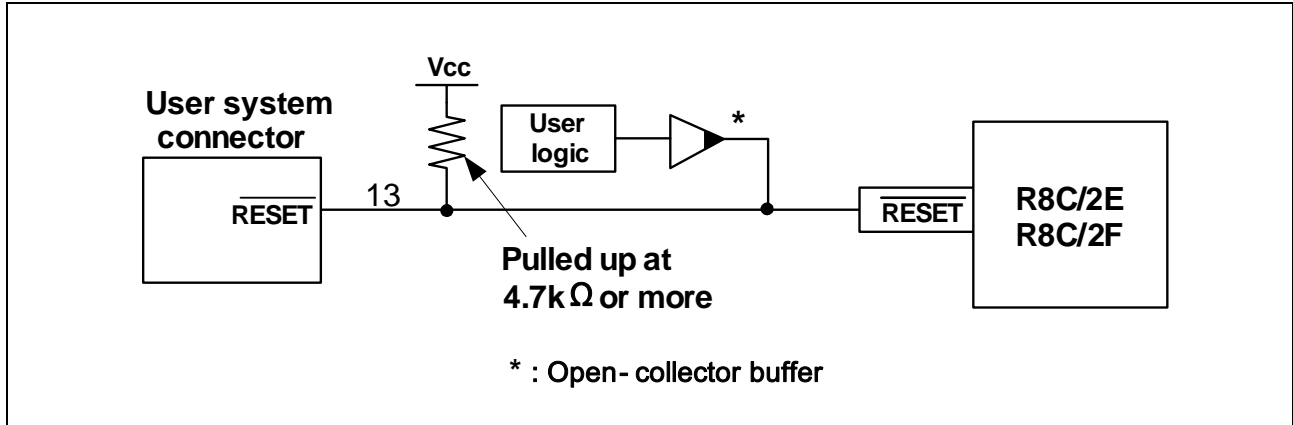


Figure 5.3 Example of a Reset Circuit

3. Connect Vss and Vcc to the Vss and Vcc of the MCU, respectively.
4. Do not connect anything to the N.C. pin.
5. The amount of voltage input to Vcc must be within the specified range of the MCU.
6. Pin 14 is used for checking the connection between the E8 and the user system, and Pin 4 is connected to the internal circuit. These pins are not directly connected to the Vss inside the E8. Make sure pins 2, 4, 6, 10, 12 and 14 are all connected to the Vss.

7. Figure 5.4 shows the interface circuit in the E8 emulator. Use this figure as a reference when determining the pull-up resistance value.

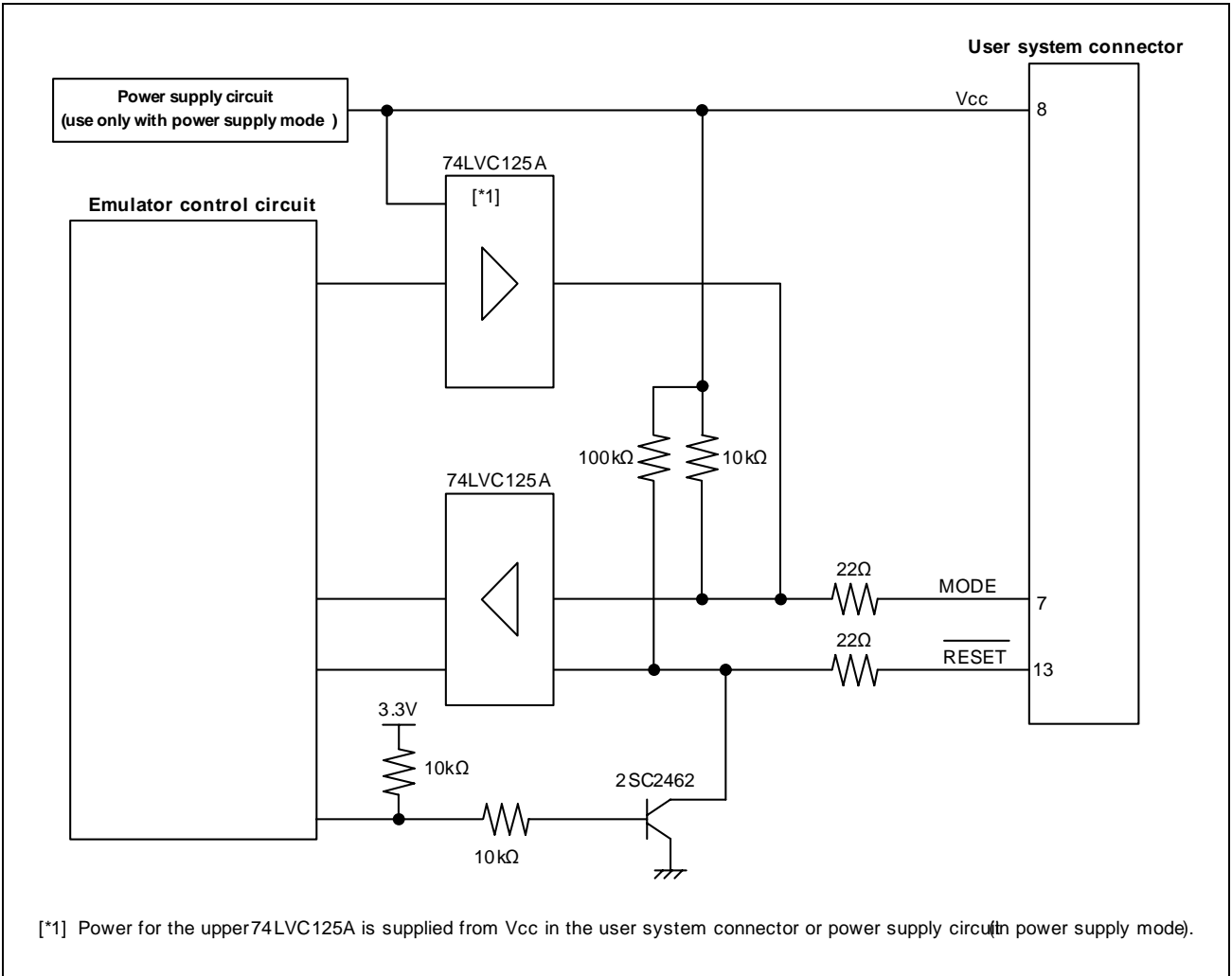


Figure 5.4 Interface Circuit Inside the E8 Emulator (For Reference)

Section 6 Notes on Using the E8 Emulator

1. Program area for the E8 emulator

Table 6.1 lists the program areas allotted for the E8 emulator. Do not change this area allocation, otherwise the E8 emulator will not control the MCU. If settings were changed, disconnect the debugger and then reconnect it.

Table 6.1 Program Area for the E8 Emulator

Group	Part No.	ROM Size		Program Area for E8 Emulator	
		Programming Area	Data Area	Vector Area	ROM Area (Default)
R8C/2E	R5F212E2	8 KB	-	FFE4h - FFE7h,	-
	R5F212E4	16 KB	-	FFE8h - FFEBh, FFEC h - FFEFh,	2KB of the ROM area [*1] (C000h - C7FFh)
R8C/2F	R5F212F2	8 KB	2 KB	FFF4h - FFF7h,	-
	R5F212F4	16 KB	2 KB	FFF8h - FFFBh, FFFCh - FFFEh	2KB of the ROM area [*1] (C000h - C7FFh)

Note:

- When starting the debugger, the [Emulator Setting] dialog box shown in Figure 6.1 is displayed. Specify the area which will not be used by the user system. If the [Enable advanced setting] check box is checked, the area used by the emulator can be specified with the address (Figure 6.2).

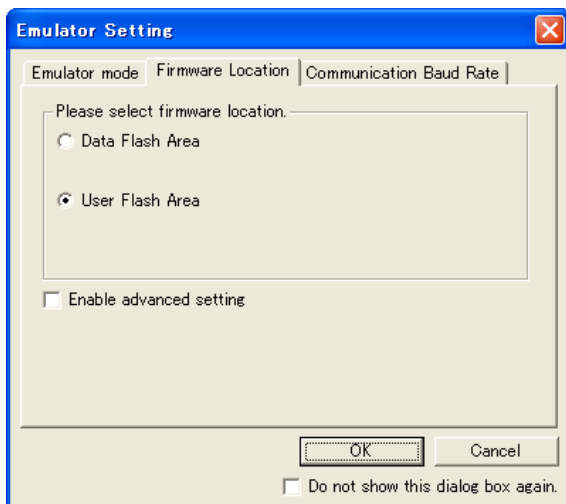


Figure 6.1 [Firmware Location] tab of [Emulator Setting] Dialog Box (1)

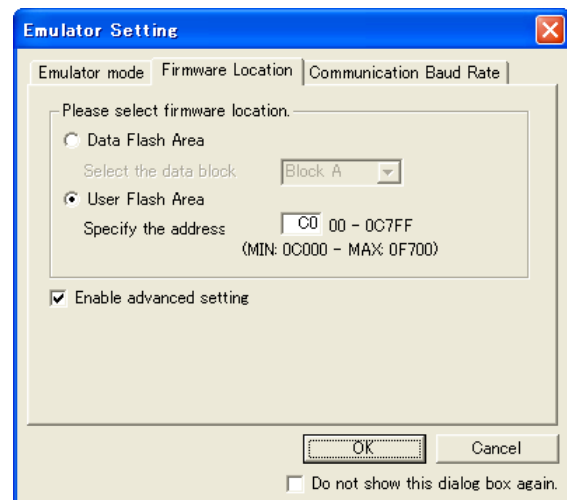


Figure 6.2 [Firmware Location] tab of [Emulator Setting] Dialog Box (2)

2. When the system is launched, the E8 emulator initializes the general registers and some of the flag registers as shown in Table 6.2.

Table 6.2 E8 Emulator Register Initial Values

Status	Register	Initial Value
E8 Emulator Activation	PC	Reset vector value in the vector address table
	R0 to R3 (bank 0, 1)	0000h
	A0, A1 (bank 0, 1)	0000h
	FB (bank 0, 1)	0000h
	INTB	0000h
	USP	0000h
	ISP	05FFh
	SB	0000h
	FLG	0000h

3. The E8 emulator communicates with the MCU by using the MODE and $\overline{\text{RESET}}$ pins.
4. The E8 emulator uses up to 8 bytes of the stack pointer during a user program break. Therefore, set aside 8 bytes for the stack area.
5. SFRs used by the E8 emulator program

The SFRs listed in Table 6.3 are used by the E8 emulator program as well as the user program. Do not change the value in the memory window, etc., by other than the user program. Note that although the SFRs can be changed during user program execution, the changed value cannot be read at the break.

The SFRs listed in Table 6.4 are used by the E8 emulator program, not the user program. Do not change the registers, otherwise the E8 cannot control the MCU.

The SFRs listed in Tables 6.3 and 6.4 are not initialized by selecting [Debug] -> [Reset CPU] or by using the RESET command. If register contents are referred to, a value that has been set in the E8 emulator program will be read out.

Table 6.3 SFRs Used by the E8 Emulator Program (1)

Address	Register	Symbol	Bit
000Ah	Protect register	PRCR	Bit 0 [*1]
0023h	High-speed on-chip oscillator control register 0	FRA0	Bit 0
0024h	High-speed on-chip oscillator control register 1	FRA1	All bits
01B3h	Flash memory control register 4	FMR4	Bit 7

Note:

1. As of Version 2.08 Release 00 of the E8 emulator software, the value for the protect register bit 1 can be changed by the user program as well as other programs.

Table 6.4 SFRs Used by the E8 Emulator Program (2)

Address	Register	Symbol	Bit	Notes on using the E8 emulator
0010h - 0012h	Address match interrupt register 0	RMAD0	All bits	[*1]
0013h	Address match interrupt enable register	AIER	All bits	[*1]
0014h - 0016h	Address match interrupt register 1	RMAD1	All bits	[*1]

Note:

1. Do not change this register value.

6. Interrupts used by the E8 emulator program

The BRK instruction interrupt, address match interrupt, single-step interrupt and address break interrupt are used by the E8 emulator program. Therefore, make sure the user program does not use any of these interrupts. The E8 emulator changes these interrupt vector values to the values to be used by the emulator. No problems occur if the interrupt vector values are written in the user program.

7. Debugging during a watchdog timer operation

When running the E8 emulator program, the program refreshes the watchdog timer. If memory access is executed through memory reference or modification, the watchdog timer will be refreshed by the E8 emulator program. Note that this timing will differ from the actual operational timing.

8. Flash memory ID code

This MCU function prevents the Flash memory from being read out by anyone other than the user. The ID code in Table 6.5 written to the flash memory of the MCU must match the ID code displayed in the Figure 6.3 [ID Code verification] dialog box at debugger startup, otherwise the debugger cannot be launched. Note that when the ID code is FFh, FFh, FFh, FFh, FFh, FFh, FFh, the ID code is regarded as undefined. In this case, the ID code is automatically authenticated and the [ID Code verification] dialog box is not displayed.

In 'Program Flash' mode, the contents of the user program are input into the ID code area. When debugging in other modes, FFh, FFh, FFh, FFh, FFh, FFh, FFh is written into the ID code area regardless of the contents of the downloaded user program.

Table 6.5 ID Code Storage Area of R8C/2E and 2F

Address	Description
FFDFh	First byte of ID code
FFE3h	Second byte of ID code
FFEBh	Third byte of ID code
FFEFh	Fourth byte of ID code
FFF3h	Fifth byte of ID code
FFF7h	Sixth byte of ID code
FFFBh	Seventh byte of ID code

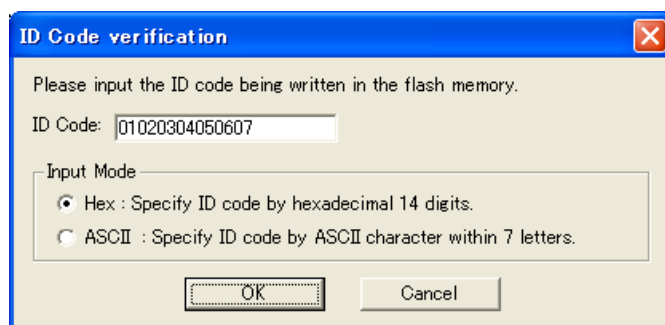


Figure 6.3 [ID Code verification] Dialog Box

Note on 'Program Flash' mode:

When the ID code is specified by the -ID option of the lmc30, download the MOT file or HEX file. When the X30 file is downloaded, the ID code is not valid. When downloading the X30 file, specify the ID code using an assembler directive command such as ".BYTE". The file to which the ID code specified by the assembler directive command ".ID" is output varies depending on the version of the assembler. For details, refer to the Assembler User's Manual.

9. Operation clock during a user program halt

When the user program halts, the emulator changes the CPU clock to the internal high-speed on-chip oscillator (approx. 8MHz) to operate. However, the peripheral features operate with the clock specified by the user program.

10. Reset

The reset vector is used by the E8 emulator program. If the MCU is reset while executing the user program, control is transferred to the E8 emulator program and the user program is forced to stop. Do not use the voltage monitor 0 reset, voltage monitor 1 reset, voltage monitor 2 reset, watchdog timer reset and software reset, otherwise the E8 emulator will not operate normally.

11. Memory access during emulation execution

When referring to or modifying the memory contents, the user program is temporarily halted. For this reason, a real-time emulation cannot be performed. When a real-time emulation is necessary during a program execution, disable the automatic update in the watch window or fix the display in the memory window before running the program so that memory accesses do not occur during an execution.

12. When the E8 emulator does not supply power to the user system, it consumes the power voltage of the user system from several mA to more than 10 mA. This is because the user power supply drives one 74LVC125A to make the communication signal level match the user system power supply voltage.

13. When debugging, the Flash memory is frequently rewritten by the E8 emulator. Therefore, do not use an MCU that has been used for debugging in products. Also, as the E8 emulator program is written to the MCU while debugging, do not save the contents of the MCU Flash memory which were used for debugging nor use them as the ROM data for products.

14. Reserved area

The addresses not specified in the Hardware Manual for R8C/2E and R8C/2F Groups are reserved area. Do not change the contents. Otherwise, the E8 emulator cannot control the MCU.

15. Debugging in stop mode or wait mode

When debugging in stop mode or wait mode, do not operate windows until the program stops at the breakpoint by setting the breakpoint at the line of the program which will be executed after the stop mode or wait mode is cancelled. In addition, disable the automatic update in the watch window or fix the display in the memory window before running the program so memory accesses do not occur during an execution. When the program is forcibly stopped, or the memory is referred to or modified in stop or wait mode, the stop or wait mode will be cancelled.

16. Peripheral I/Os during a halt

During a user program halt, interrupts are not accepted although peripheral I/Os continue to run. For example, a timer interrupt is not accepted although the timer continues to count when a user program is stopped by a break after the timer started.

17. Exceptional step execution

a) Software interrupt instruction

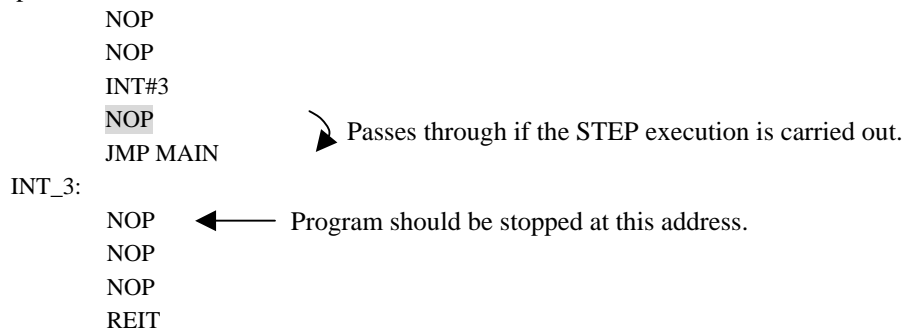
Step execution cannot be performed in the internal processing of instructions (undefined, overflow, BRK and INT) which generate a software interrupt continuously in the program.

Example: INT instruction

```

NOP
NOP
INT#3
NOP
JMP MAIN
INT_3:
NOP
NOP
NOP
REIT

```



b) INT instruction

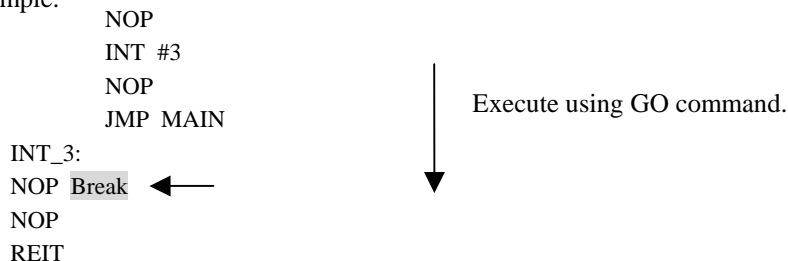
To debug the user program with the INT instruction, set a PC break for the internal processing of the INT instruction and execute the program with the GO command.

Example:

```

NOP
INT #3
NOP
JMP MAIN
INT_3:
NOP Break
NOP
REIT

```



18. “Go to cursor” function

The “Go to cursor” function is actualized using an address match break. Therefore, when you execute the “Go to cursor” command, all the address match breaks and hardware breaks you set become invalid, while all the PC breaks remain valid.

19. Note on PC break point

When downloading a user program after modifying it, the set address of PC break may not be corrected normally depending on the modification. Therefore, break points other than the set PC breaks may shift. After downloading a user program, check the setting of PC breaks in the event point window and reset it.

20. Note on setting the break condition of the hardware breaks

When selecting the normal address bus (selecting “Address” radio button in the [Break condition] dialog box) as a condition for the address bus, do not set the following addresses. Otherwise, an unauthorized break may occur.

- Address in the interrupt vector table
- Address set in the interrupt vector table (interrupt routine start address)
- Branch address of the branch instruction

Both fixed vector table and variable vector table are included with the interrupt vector table above.

21. Note on debugging in CPU rewrite mode

CPU rewrite can be executed only for the data area. If it is executed for the program area, the E8 emulator cannot control the MCU. When rewriting the data area, do not halt the user program, while setting up the CPU rewrite mode and releasing it. If halted, the E8 emulator may not control the MCU. In addition, disable the automatic update in the watch window or fix the display in the memory window before running the program so memory accesses do not occur during an execution.

To check the data after executing the CPU rewrite mode, halt the program after releasing the CPU rewrite mode and refer to the memory window, etc.

If CPU rewrite can be executed for the data area, and erase/program process can be suspended, do not use software breaks.

22. Notes on rewriting Flash memory

Do not reset the MCU when rewriting the Flash memory.

The Flash memory is rewritten when the “Flash memory write end” is displayed in the output window of the High-performance Embedded Workshop. If the MCU is reset when rewriting the Flash memory, the user program or the E8 emulator program may be disrupted.

Flash memory rewrite occurs:

- When downloading the user program
- After setting PC breaks in the Flash memory and executing the user program
- After canceling PC breaks in the Flash memory and executing the user program
- After rewriting the value of the Flash memory in the memory window and executing the user program

23. Notes on the E8 emulator power supply

When writing a program with the E8 emulator for mass production processes, the program requires reliability, so do not use the E8 emulator power supply function. Supply power separately to the user system according to the allowable voltage for MCU writing. Voltage supplied from the E8 emulator depends on the quality of the USB power supply of the PC, and as such, precision is not guaranteed.

24. Notes on the emulator setup switch

Use the emulator setup switch at the factory setting (upper side 1).

Section 7 Debugger Setting

1. [Emulator Setting] dialog box

The [Emulator Setting] dialog box is provided for setting items that need to be set when the debugger is launched. The contents set from this dialog box (excluding [Power Supply] group box items) also become valid the next time the debugger is launched. When launching the debugger for the first time after creating a new project work space, the [Emulator Setting] dialog box is displayed with the Wizard.

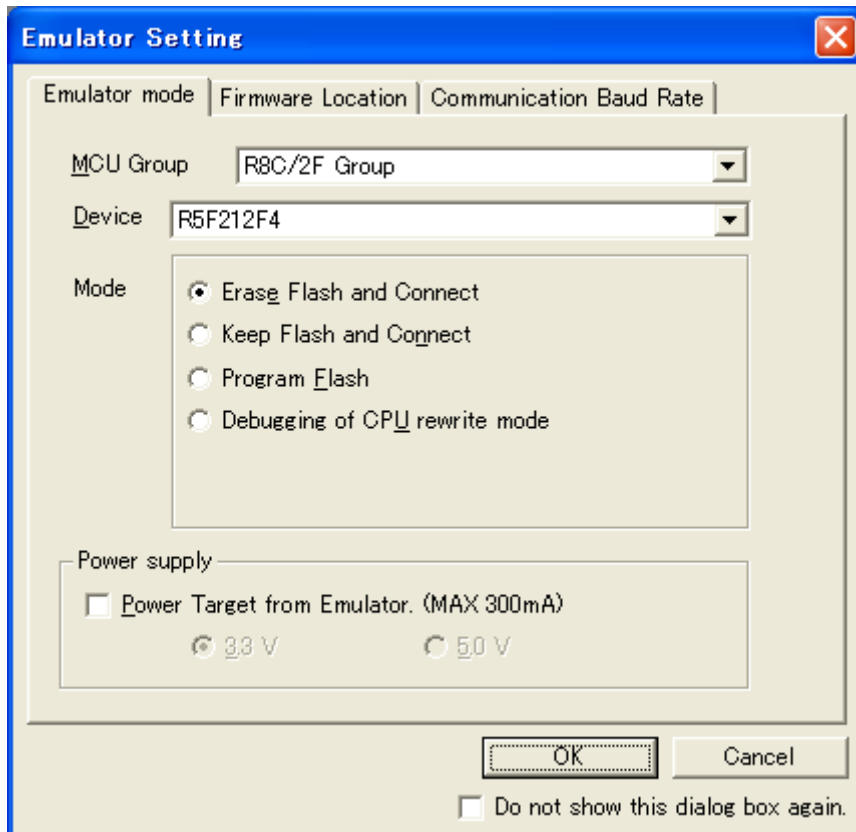


Figure 7.1 [Emulator Setting] Dialog Box

If you check “Do not show this dialog box again.” at the bottom of the [Emulator Setting] dialog box, the [Emulator Setting] dialog box will not be displayed the next time the debugger is launched. You can open the [Emulator Setting] dialog box using one of the following methods:

- After the debugger is launched, select Menu -> [Setup] -> [Emulator] -> [Emulator Setting...].
- Hold down the Ctrl key while launching the debugger.

When “Do not show this dialog box again.” is checked, the E8 does not supply power to the user system.

2. [Emulator mode] tab

Device selection, mode specification and power supply setting are made from the [Emulator mode] tab of the [Emulator Setting] dialog box.

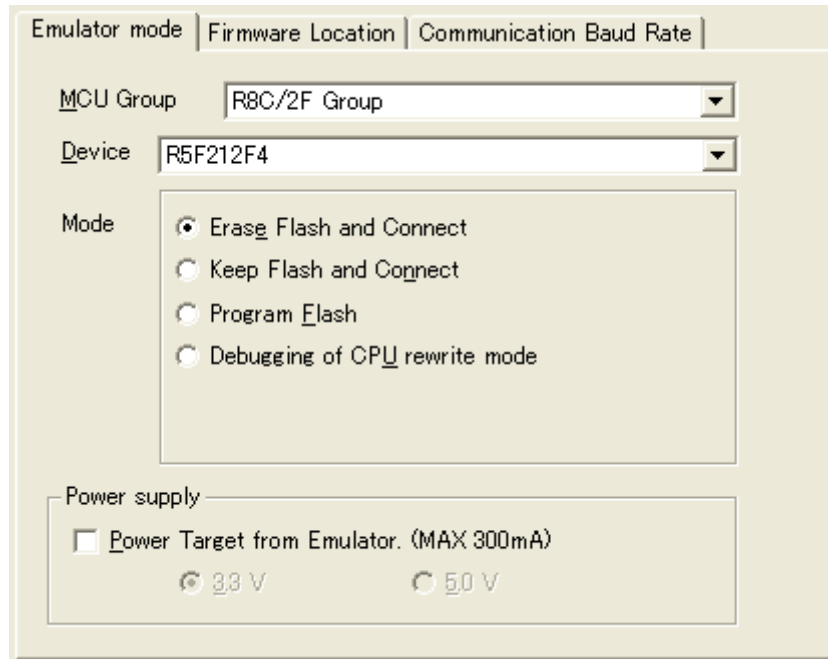


Figure 7.2 [Emulator mode] Tab

[MCU Group]

Select the name of the MCU group to be used from the [MCU Group] drop-down list.

[Device]

Select the type of MCU to be used from the [Device] drop-down list.

[Mode]

- Erase Flash and Connect

When starting the debugger, the E8 emulator erases the Flash memory data for the MCUs and simultaneously writes the E8 emulator program.

- Keep Flash and Connect

When launching the debugger, the E8 emulator retains the Flash memory data for the MCUs. Note that the area for the E8 emulator program and the vector area used by the E8 emulator will change.

- Program Flash

The E8 emulator starts as a simple programmer. When downloaded, the E8 writes only the user program (E8 emulator program is not written). Therefore, the program cannot be debugged in this mode.

- Debugging of CPU rewrite mode

Select this setting when debugging the program which rewrites the CPU. In this mode, the following debug operation which rewrites the Flash memory cannot be executed.

- Setting the PC break points

- Changing the memory contents in the Flash memory area

In this mode, when starting the debugger, the E8 emulator erases the Flash memory data for the MCUs and simultaneously writes the E8 emulator program.

[Power supply]

When supplying power to the user system from the E8, click the [Power Target from Emulator. (MAX 300mA)] check box.

3. [Firmware Location] tab

For details, see “1. Program area for the E8 emulator” in “Section 6. Notes on Using the E8 Emulator”.

4. [Communication Baud Rate] tab

Select communication baud rate between the E8 and MCU in the [Communication Baud Rate] tab. 500000bps (default setting) should be selected during normal use.

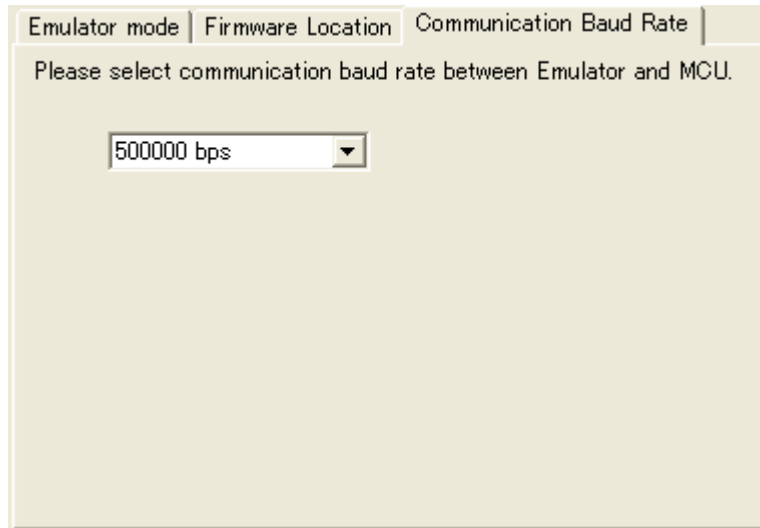


Figure 7.3 [Communication Baud Rate] Tab

Section 8 Applicable Tool Chain and Third-party Products

With the R8C/Tiny Series E8 emulator, you can debug a module created by the inhouse tool chain and third-party products listed in Table 8.1 below.

Table 8.1 Applicable Tool Chain and Third-party Products

Tool chain	M3T-NC30WA V.5.20 Release 01 or later NC8C V.5.30 Release 01 or later
Third-party products	TASKING M16C C/C++/EC++ Compiler V.2.3r1 or later IAR EWM16C V.2.12 or later

E8 Emulator
Additional Document for User's Manual
Notes on Connecting the R8C/2E and R8C/2F

Publication Date: Jan. 01, 2008 Rev.1.00

Published by: Sales Strategic Planning Div.
 Renesas Technology Corp.

Edited by: Microcomputer Tool Development Department
 Renesas Solutions Corp.

E8 Emulator Additional Document for User's Manual



Renesas Electronics Corporation

1753, Shimonumabe, Nakahara-ku, Kawasaki-shi, Kanagawa 211-8668 Japan

REJ10J1528-0100