

ISL85415DEMO2Z

Demonstration Board

AN1945
Rev 1.00
June 1, 2015

Description

The ISL85415DEMO2Z kit is intended for use in point-of-load applications sourcing from 3V to 36V. The kit is used to demonstrate the performance of the [ISL85415](#) wide V_{IN} low quiescent current high efficiency synchronous buck regulator using an isolated secondary output.

The ISL85415 is offered in a 4mmx3mm 12 Ld DFN package with 1mm maximum height. The converter occupies 1.138cm² area.

Specifications

- This board has been configured and optimized for the following operating conditions:
- V_{IN} = 3V to 36V
- V_{OUT} = 0.6V to 12V
- I_{MAX} = 300mA with $\pm 1\%$ secondary output regulation (at $V_{OUT} = 3.3V$, $V_{IN} = 12V$)
- Board temperature: +25°C

References

- [ISL85415](#) Datasheet

Key Features

- Wide input voltage range 3V to 36V
- Synchronous operation for high efficiency
- Integrated high-side and low-side NMOS devices
- Programmable switching frequency (fixed or externally)
- Continuous output current up to 300mA (refer to [Figures 10](#) and [11](#))
- Internal or external soft-start
- Minimal external components required
- Power-good function available for primary output

Recommended Equipment

The following materials are recommended to perform testing:

- 0V to 50V power supply with at least 1A source current capability
- Electronic loads capable of sinking current up to 1A
- Digital Multimeters (DMMs)
- 100MHz quad-trace oscilloscope

Ordering Information

PART NUMBER	DESCRIPTION
ISL85415DEMO2Z	Demonstration board with Isolated Outputs

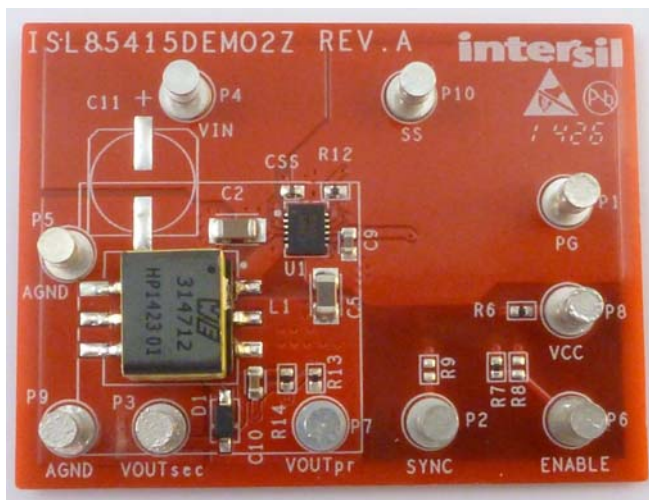


FIGURE 1. FRONT OF EVALUATION BOARD ISL85415DEMO2Z

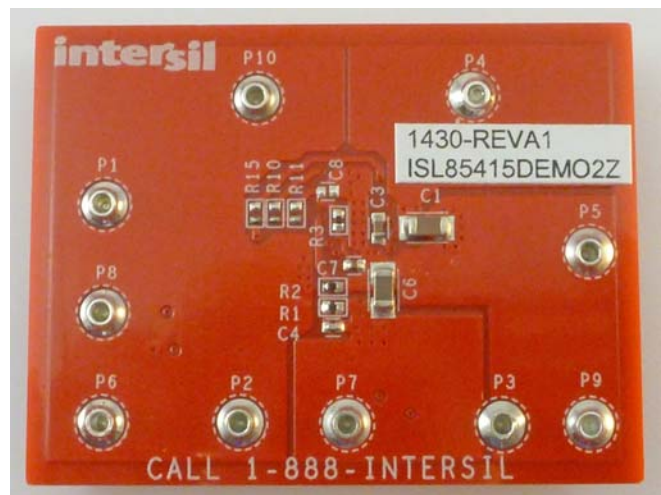


FIGURE 2. BACK OF EVALUATION BOARD ISL85415DEMO2Z

Quick Set up Guide

1. Ensure that the circuit is correctly connected to the supply and loads prior to applying any power.
2. Connect the bias supply to VIN, the plus terminal to VIN (P4) and the negative return to GND (P5).
3. Turn on the power supply.
4. Without any load applied on the output, verify that the output voltage is 3.3V for V_{OUT1} (P7).

PCB Layout Guidelines

The ISL85415EVAL2Z PCB layout has been optimized for electrical and thermal performance. Proper layout of the power converter will minimize EMI and noise while insuring first pass success of the design.

PCB layout is provided on the Intersil web site. A multilayer printed circuit board with GND plane is recommended. The most critical connections are to tie the PGND pin to the package GND pad and then use vias to directly connect the GND pad to the system GND plane. This connection of the GND pad to system plane insures a low impedance path for all return current, as well as an excellent thermal path to dissipate heat.

With this connection made, place the high frequency MLCC input capacitors C_1 , C_2 near the VIN pin and use vias directly at the capacitor pads to tie the capacitors to the system GND plane. Also, use vias directly at the C_5 , C_6 output capacitor pads to tie the capacitors to the system GND plane. These measures will minimize the high dV/dt and dI/dt loops. Minimize the PHASE connection by placing L_1 very close to the IC. Place a $1\mu\text{F}$ MLCC near the VCC pin and directly connect its return with a via to the system GND plane. Keep the power components path (L_1 , C_1 , C_2 , C_3 , C_5 , C_6) separated from the small signal nodes (FB, COMP) and the control components path (FS, SS) by placing the feedback divider close to the FB pin and do not route any feedback components near PHASE or BOOT. If external components are used for SS, COMP or FS, the same advice applies. Connect these control components and small signal noise components to the system GND. Keep the small signal nodes traces (FB, COMP) as short as possible.

Evaluating the Other Output Voltage

The ISL85415DEMO2Z kit output is preset to 3.3V; however, output voltages can be adjusted from 0.6V to 15V. The output voltage programming resistor, R_2 , will depend on the desired output voltage of the regulator and the value of the feedback resistor R_1 , as shown in [Equation 1](#).

$$R_2 = R_1 \left(\frac{0.6}{V_{OUT} - 0.6} \right) \quad (\text{EQ. 1})$$

TABLE 1. EXTERNAL COMPONENT SELECTION

V_{OUT} (V)	L_1 (μH)	C_{OUT} (μF)	R_1 (k Ω)	R_2 (k Ω)	C_{FB} (pF)	R_{FS} (k Ω)	R_{COMP} (k Ω)	C_{COMP} (pF)
12	45	10	90.9	4.75	22	115	100	470
5	22	2x22	90.9	12.4	100	120	100	470
3.3	22	2x22	90.9	20	100	120	100	470
2.5	22	2x22	90.9	28.7	100	120	100	470
1.8	22	22	100	50	22	120	50	470

If the output voltage desired is 0.6V, then R_1 is shorted. Please note that if V_{OUT} is less than 1.8V, the switching frequency and compensation must be changed for 300kHz operation due to minimum on-time limitation. Please refer to datasheet [ISL85415](#) for further information.

[Table 1](#) shows external component selection for different desired V_{OUT} .

The curves in [Figure 10](#) indicate the secondary output voltage regulation versus the load applied in the secondary output, without any load on the primary output for $V_{OUT} = 5\text{V}$, at different input voltages. The curves in [Figure 11](#) indicate the secondary output voltage regulation versus the load applied in the secondary output, without any load on the primary output for $V_{OUT} = 3.3\text{V}$, at different input voltages.

Frequency Control

The ISL85415 has an FS pin that controls the frequency of operation. Programmable frequency allows for optimization between efficiency and external component size. It also allows low frequency operation for low V_{OUTs} when minimum on-time would limit the operation otherwise. Default switching frequency is 500kHz when FS is tied to V_{CC} ($R_{10} = 0$). By removing R_{10} the switching frequency could be changed from 300kHz ($R_{12} = 340\text{k}$) to 2MHz ($R_{12} = 32.4\text{k}$). Please refer to datasheet [ISL85415](#) for calculating the value of R_{12} . Do not leave this pin floating.

Disabling/Enabling Function

The ISL85415DEMO2Z board has the EN pin tied to VIN via R_7 . This keeps the part enabled all the time. To disable the part, remove R_7 and populate R_8 with a 0Ω resistor.

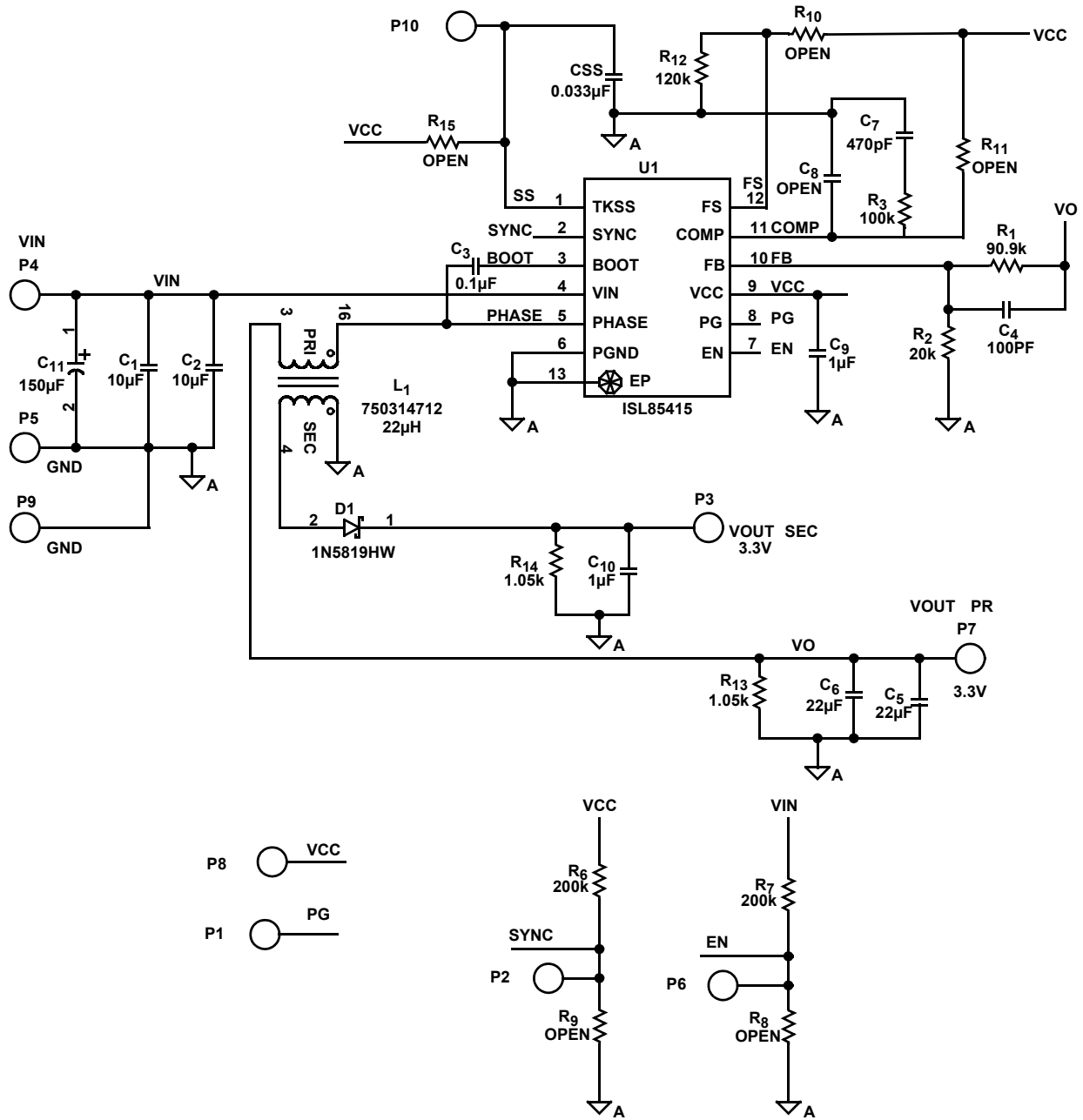
SYNC Control

The ISL85415 evaluation board has a SYNC pin that allows external synchronization frequency to be applied. Default board configuration has $R_6 = 200\text{k}$ to V_{CC} , which defaults to PWM operation mode and also to the preselected switching frequency set by R_{12} (see [ISL85415](#) datasheet and previous section "[Frequency Control](#)" for details). If this pin is tied to GND, the IC will operate in PFM mode. For PFM operation, remove R_6 and populate R_9 with 0Ω resistor.

Soft-start/COMP Control

R_{15} selects between internal ($R_{15} = 0$) and external soft-start. R_{11} selects between internal ($R_{11} = 0$) and external compensation. Please refer to the Pin Description table of the [ISL85415](#) datasheet.

ISL85415DEMO2Z Schematic



NOTE: If the IC is used in an application where the input test leads have large parasitic inductance, the input electrolytic capacitor C₁₁ may be added to prevent transient voltages on the input pin.

FIGURE 3. ISL85415DEMO2Z SCHEMATIC

ISL85415DEMO2Z Bill of Materials

MANUFACTURER PART	QTY	UNIT	REFERENCE DESIGNATOR	DESCRIPTION	MANUFACTURER
EEE-FK1H151P	1	ea.	C11 (OPTIONAL)	CAP, SMD, 10.3mm, 150µF, 50V, 20%, ROHS, ALUM.ELEC.	PANASONIC
GRM188R71E105KA12D	1	ea.	C10	CAP, SMD, 0603, 1µF, 25V, 10%, X7R, ROHS	MURATA
04025A101FAT2A	1	ea.	C4	CAP, SMD, 0402, 100pF, 50V, 1%, NPO, ROHS	AVX
GRM36X7R333K016AQ	1	ea.	CSS	CAP, SMD, 0402, 33nF, 16V, 10%, X7R, ROHS	MURATA
ECJ-0EB1H471K	1	ea.	C7	CAP, SMD, 0402, 470pF, 50V, 10%, X7R, ROHS	PANASONIC
	0	ea.	C8	CAP, SMD, 0402, DNP-PLACE HOLDER, ROHS	
06035C104KAT2A	1	ea.	C3	CAP, SMD, 0603, 0.1µF, 50V, 10%, X7R, ROHS	AVX
GRM188R61C105KA12D	1	ea.	C9	CAP, SMD, 0603, 1µF, 16V, 10%, X5R, ROHS	MURATA
C3216X5R1H106K	2	ea.	C1, C2	CAP, SMD, 1206, 10µF, 50V, 10%, X5R, ROHS	TDK
ECJ-DV50J226M	2	ea.	C5, C6	CAP, SMD, 1206, 22µF, 6.3V, 20%, X5R, ROHS	PANASONIC
1514-2	5	ea.	P3, P4, P5, P7, P9	CONN-TURRET, TERMINAL POST, TH, ROHS	KEYSTONE
5002	5	ea.	P1, P2, P6, P8, P10	CONN-MINI TEST POINT, VERTICAL, WHITE, ROHS	KEYSTONE
1N5819HW-7-F	1	ea.	D1	DIODE-RECTIFIER, SMD, 2P, SOD-123, 40V, 1A, ROHS	DIODES, INC.
ISL85415FRZ	1	ea.	U1	IC-500mA BUCK REGULATOR, 12P, DFN, 3X4, ROHS	INTERSIL
750314712	1	ea.	L1	TRANSFORMER- CUSTOM, SMD, 6P, 10.16 x11.66, 22µH, 10%, 2.5A, ROHS	WURTH ELECTRONICS MIDCOM INC.
	0	ea.	R8-R11, R15	RES, SMD, 0402, DNP, DNP, DNP, TF, ROHS	
ERJ2RKF1003	1	ea.	R3	RES, SMD, 0402, 100k, 1/16W, 1%, TF, ROHS	PANASONIC
ERJ-2RKF1051X	2	ea.	R13, R14	RES, SMD, 0402, 1.05k, 1/16W, 1%, TF, ROHS	PANASONIC
MCR01MZPF1203	1	ea.	R12	RES, SMD, 0402, 120k, 1/16W, 1%, TF, ROHS	ROHM
ERJ2RKF2001	1	ea.	R2	RES, SMD, 0402, 20k, 1/16W, 1%, TF, ROHS	PANASONIC
MCR01MZPF2003	2	ea.	R6, R7	RES, SMD, 0402, 200k, 1/16W, 1%, TF, ROHS	ROHM
CRCW040290K9FKED	1	ea.	R1	RES, SMD, 0402, 90.9k, 1/16W, 1%, TF, ROHS	VISHAY/DALE
D810 (212403-012)	1	ea.	PLACE ASSY IN BAG	BAG, STATIC, 3X5, ZIP LOC	INTERSIL COMMON STOCK
LABEL-DATE CODE	1	ea.	AFFIX TO BACK OF PCB	LABEL-DATE CODE_LINE 1: YRWK/REV#, LINE 2: BOM NAME	INTERSIL
ISL85415DEMO2ZREVAPCB	1	ea.		PWB-PCB, ISL85415DEMO2Z, REVA, ROHS	IMAGINEERING INC

ISL85415DEMO2Z Board Layout

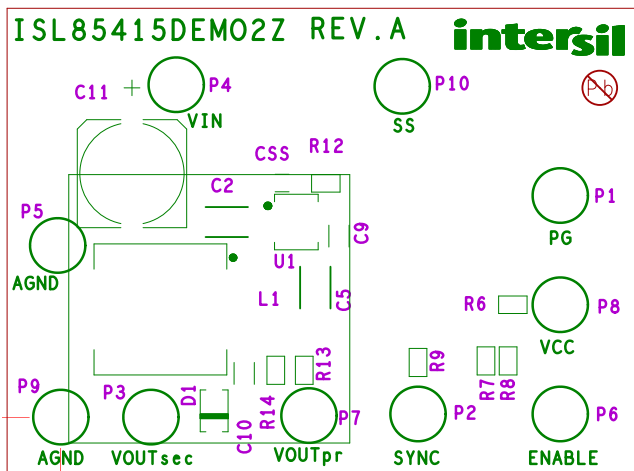


FIGURE 4. SILKSCREEN TOP

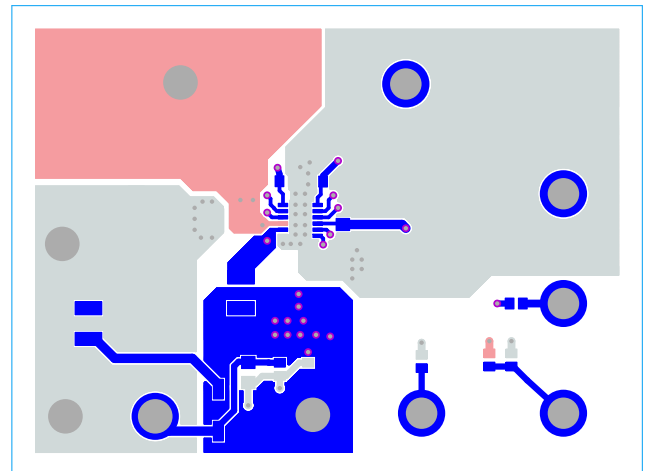


FIGURE 5. TOP LAYER

ISL85415DEMO2Z Board Layout (Continued)

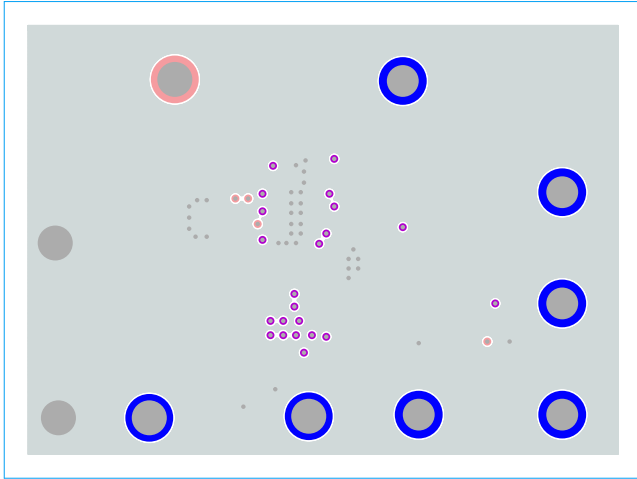


FIGURE 6. LAYER 2

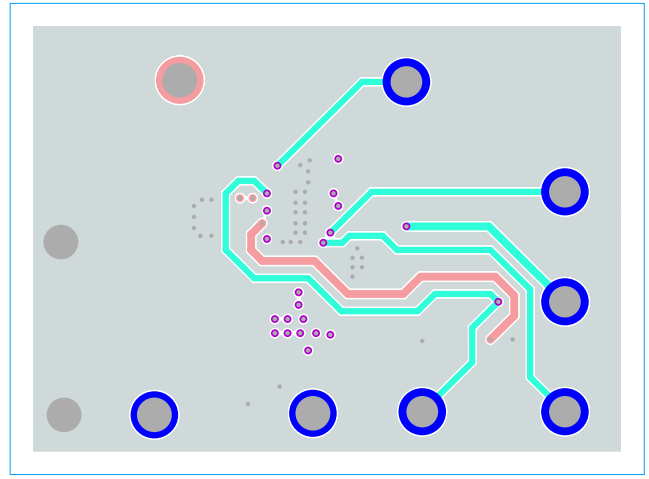


FIGURE 7. LAYER 3

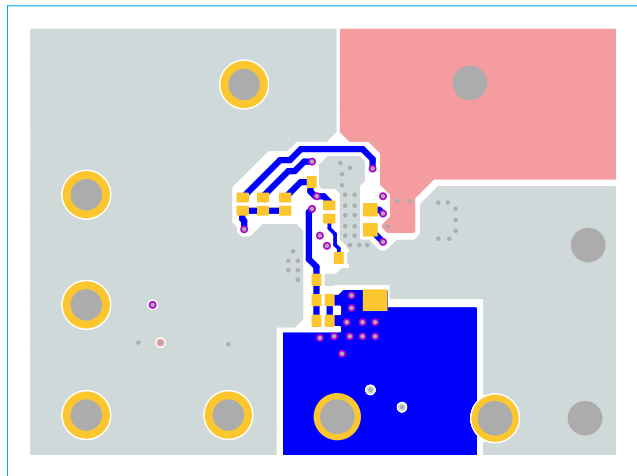


FIGURE 8. BOTTOM LAYER

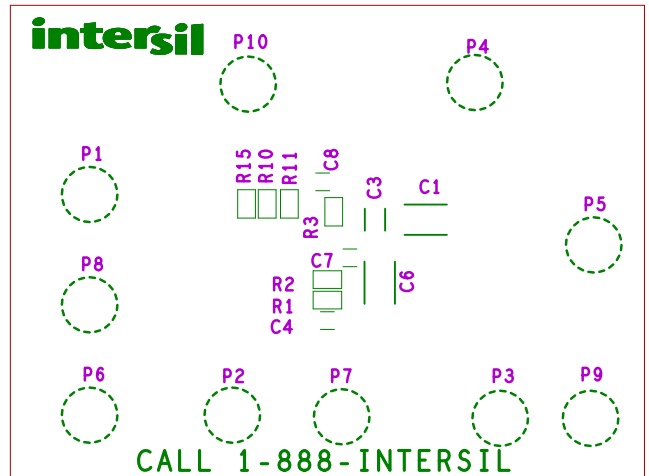


FIGURE 9. SILKSCREEN BOTTOM

Typical Performance Curves $f_{SW} = 800kHz, T_A = +25^\circ C.$

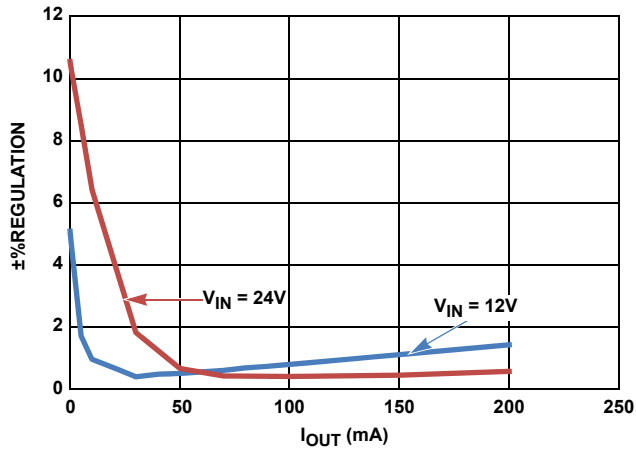


FIGURE 10. $V_{OUT} = 5V, \%REGULATION$ vs I_{OUT}

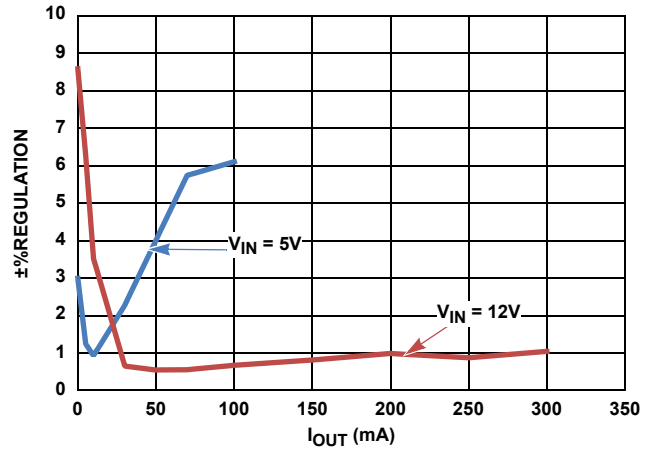


FIGURE 11. $V_{OUT} = 3.3V, \%REGULATION$ vs I_{OUT}

Notice

1. Descriptions of circuits, software and other related information in this document are provided only to illustrate the operation of semiconductor products and application examples. You are fully responsible for the incorporation or any other use of the circuits, software, and information in the design of your product or system. Renesas Electronics disclaims any and all liability for any losses and damages incurred by you or third parties arising from the use of these circuits, software, or information.
2. Renesas Electronics hereby expressly disclaims any warranties against and liability for infringement or any other claims involving patents, copyrights, or other intellectual property rights of third parties, by or arising from the use of Renesas Electronics products or technical information described in this document, including but not limited to, the product data, drawings, charts, programs, algorithms, and application examples.
3. No license, express, implied or otherwise, is granted hereby under any patents, copyrights or other intellectual property rights of Renesas Electronics or others.
4. You shall not alter, modify, copy, or reverse engineer any Renesas Electronics product, whether in whole or in part. Renesas Electronics disclaims any and all liability for any losses or damages incurred by you or third parties arising from such alteration, modification, copying or reverse engineering.
5. Renesas Electronics products are classified according to the following two quality grades: "Standard" and "High Quality". The intended applications for each Renesas Electronics product depends on the product's quality grade, as indicated below.
"Standard": Computers; office equipment; communications equipment; test and measurement equipment; audio and visual equipment; home electronic appliances; machine tools; personal electronic equipment; industrial robots; etc.
"High Quality": Transportation equipment (automobiles, trains, ships, etc.); traffic control (traffic lights); large-scale communication equipment; key financial terminal systems; safety control equipment; etc.
Unless expressly designated as a high reliability product or a product for harsh environments in a Renesas Electronics data sheet or other Renesas Electronics document, Renesas Electronics products are not intended or authorized for use in products or systems that may pose a direct threat to human life or bodily injury (artificial life support devices or systems; surgical implantations; etc.), or may cause serious property damage (space system; undersea repeaters; nuclear power control systems; aircraft control systems; key plant systems; military equipment; etc.). Renesas Electronics disclaims any and all liability for any damages or losses incurred by you or any third parties arising from the use of any Renesas Electronics product that is inconsistent with any Renesas Electronics data sheet, user's manual or other Renesas Electronics document.
6. When using Renesas Electronics products, refer to the latest product information (data sheets, user's manuals, application notes, "General Notes for Handling and Using Semiconductor Devices" in the reliability handbook, etc.), and ensure that usage conditions are within the ranges specified by Renesas Electronics with respect to maximum ratings, operating power supply voltage range, heat dissipation characteristics, installation, etc. Renesas Electronics disclaims any and all liability for any malfunctions, failure or accident arising out of the use of Renesas Electronics products outside of such specified ranges.
7. Although Renesas Electronics endeavors to improve the quality and reliability of Renesas Electronics products, semiconductor products have specific characteristics, such as the occurrence of failure at a certain rate and malfunctions under certain use conditions. Unless designated as a high reliability product or a product for harsh environments in a Renesas Electronics data sheet or other Renesas Electronics document, Renesas Electronics products are not subject to radiation resistance design. You are responsible for implementing safety measures to guard against the possibility of bodily injury, injury or damage caused by fire, and/or danger to the public in the event of a failure or malfunction of Renesas Electronics products, such as safety design for hardware and software, including but not limited to redundancy, fire control and malfunction prevention, appropriate treatment for aging degradation or any other appropriate measures. Because the evaluation of microcomputer software alone is very difficult and impractical, you are responsible for evaluating the safety of the final products or systems manufactured by you.
8. Please contact a Renesas Electronics sales office for details as to environmental matters such as the environmental compatibility of each Renesas Electronics product. You are responsible for carefully and sufficiently investigating applicable laws and regulations that regulate the inclusion or use of controlled substances, including without limitation, the EU RoHS Directive, and using Renesas Electronics products in compliance with all these applicable laws and regulations. Renesas Electronics disclaims any and all liability for damages or losses occurring as a result of your noncompliance with applicable laws and regulations.
9. Renesas Electronics products and technologies shall not be used for or incorporated into any products or systems whose manufacture, use, or sale is prohibited under any applicable domestic or foreign laws or regulations. You shall comply with any applicable export control laws and regulations promulgated and administered by the governments of any countries asserting jurisdiction over the parties or transactions.
10. It is the responsibility of the buyer or distributor of Renesas Electronics products, or any other party who distributes, disposes of, or otherwise sells or transfers the product to a third party, to notify such third party in advance of the contents and conditions set forth in this document.
11. This document shall not be reprinted, reproduced or duplicated in any form, in whole or in part, without prior written consent of Renesas Electronics.
12. Please contact a Renesas Electronics sales office if you have any questions regarding the information contained in this document or Renesas Electronics products.
(Note 1) "Renesas Electronics" as used in this document means Renesas Electronics Corporation and also includes its directly or indirectly controlled subsidiaries.
(Note 2) "Renesas Electronics product(s)" means any product developed or manufactured by or for Renesas Electronics.

(Rev.4.0-1 November 2017)



SALES OFFICES

Renesas Electronics Corporation

<http://www.renesas.com>

Refer to "<http://www.renesas.com/>" for the latest and detailed information.

Renesas Electronics America Inc.
1001 Murphy Ranch Road, Milpitas, CA 95035, U.S.A.
Tel: +1-408-432-8888, Fax: +1-408-434-5351

Renesas Electronics Canada Limited
9251 Yonge Street, Suite 8309 Richmond Hill, Ontario Canada L4C 9T3
Tel: +1-905-237-2004

Renesas Electronics Europe Limited
Dukes Meadow, Millboard Road, Bourne End, Buckinghamshire, SL8 5FH, U.K
Tel: +44-1628-651-700, Fax: +44-1628-651-804

Renesas Electronics Europe GmbH
Arcadiastrasse 10, 40472 Düsseldorf, Germany
Tel: +49-211-6503-0, Fax: +49-211-6503-1327

Renesas Electronics (China) Co., Ltd.
Room 1709 Quantum Plaza, No.27 ZhichunLu, Haidian District, Beijing, 100191 P. R. China
Tel: +86-10-8235-1155, Fax: +86-10-8235-7679

Renesas Electronics (Shanghai) Co., Ltd.
Unit 301, Tower A, Central Towers, 555 Langao Road, Putuo District, Shanghai, 200333 P. R. China
Tel: +86-21-2226-0888, Fax: +86-21-2226-0999

Renesas Electronics Hong Kong Limited
Unit 1601-1611, 16/F., Tower 2, Grand Century Place, 193 Prince Edward Road West, Mongkok, Kowloon, Hong Kong
Tel: +852-2265-6688, Fax: +852-2886-9022

Renesas Electronics Taiwan Co., Ltd.
13F, No. 363, Fu Shing North Road, Taipei 10543, Taiwan
Tel: +886-2-8175-9600, Fax: +886-2-8175-9670

Renesas Electronics Singapore Pte. Ltd.
80 Bendemeer Road, Unit #06-02 Hyflux Innovation Centre, Singapore 339949
Tel: +65-6213-0200, Fax: +65-6213-0300

Renesas Electronics Malaysia Sdn.Bhd.
Unit 1207, Block B, Menara Amcorp, Amcorp Trade Centre, No. 18, Jln Persiaran Barat, 46050 Petaling Jaya, Selangor Darul Ehsan, Malaysia
Tel: +60-3-7955-9390, Fax: +60-3-7955-9510

Renesas Electronics India Pvt. Ltd.
No.777C, 100 Feet Road, HAL 2nd Stage, Indiranagar, Bangalore 560 038, India
Tel: +91-80-67208700, Fax: +91-80-67208777

Renesas Electronics Korea Co., Ltd.
17F, KAMCO Yangjae Tower, 262, Gangnam-daero, Gangnam-gu, Seoul, 06265 Korea
Tel: +82-2-558-3737, Fax: +82-2-558-5338