

## ICL3225, ICL3245

1µA, +3V to +5.5V, 1Mbps, RS-232 Transceivers with Enhanced Automatic Powerdown

The [ICL3225](#) and [ICL3245](#) are 3.0V to 5.5V powered RS-232 transmitters/receivers that meet EIA/TIA-232 and V.28/V.24 specifications, even at  $V_{CC} = 3.0V$ . Targeted applications are PDAs, Palmtops, and notebook and laptop computers where the low operational power consumption and even lower standby power consumption is critical. Efficient on-chip charge pumps coupled with manual and enhanced automatic powerdown functions reduce the standby supply current to a 1µA trickle. Small footprint packaging and the use of small, low value capacitors ensure board space savings. Data rates greater than 1Mbps are ensured at worst case load conditions. The ICL3225 and ICL3245 are fully compatible with 3.3V only systems, mixed 3.3V and 5.0V systems, and 5.0V only systems.

The ICL3245 is a 3-driver, 5-receiver device that provides a complete serial port suitable for laptop or notebook computers. It also includes a noninverting always-active receiver for “wake-up” capability.

The ICL3225 and ICL3245 feature an enhanced automatic powerdown function that powers down the on-chip power-supply and driver circuits. Automatic powerdown occurs when all receiver and transmitter inputs detect no signal transitions for a period of 30s. The ICL3225 and ICL3245 automatically power back up whenever they sense a transition on any transmitter or receiver input.

[Table 1](#) summarizes the features of the device represented by this datasheet. [Application Note AN9863](#) summarizes the features of each device in the ICL32xx 3V family.

### Related Literature

For a full list of related documents, visit our website:

- [ICL3225](#), [ICL3245](#) device pages

### Features

- Pb-free (RoHS compliant)
- ±15kV ESD protected (Human Body Model)
- Manual and enhanced automatic powerdown features
- Drop in replacements for MAX3225, MAX3245
- Meets EIA/TIA-232 and V.28/V.24 specifications at 3V
- Latch-up free
- On-chip voltage converters require only four external 0.1µF capacitors
- Guaranteed mouse driveability (ICL3245)
- “Ready to Transmit” indicator output (ICL3225)
- Receiver hysteresis for improved noise immunity
- Ensured minimum data rate: 1Mbps
- Low skew at transmitter/receiver input trip points: 10ns
- Ensured minimum slew rate: 24V/µs
- Wide power supply range: Single +3V to +5.5V
- Low supply current in powerdown state: 1µA

### Applications

- Any system requiring RS-232 communication ports
  - Battery powered, hand-held, and portable equipment
  - Laptop computers, notebooks, palmtops
  - Modems, printers, and other peripherals
  - Digital cameras
  - Cellular/mobile phones

**Table 1. Summary of Features**

| Part Number | No. of Tx. | No. of Rx. | No. Of Monitor Rx. (R <sub>OUTB</sub> ) | Data Rate (kbps) | Rx. Enable Function? | Ready Output? | Manual Powerdown? | Enhanced Automatic Powerdown Function? |
|-------------|------------|------------|---|------------------|----------------------|---------------|-------------------|--|
| ICL3225     | 2          | 2          | 0                                       | 1000             | No                   | Yes           | Yes               | Yes                                    |
| ICL3245     | 3          | 5          | 1                                       | 1000             | No                   | No            | Yes               | Yes                                    |

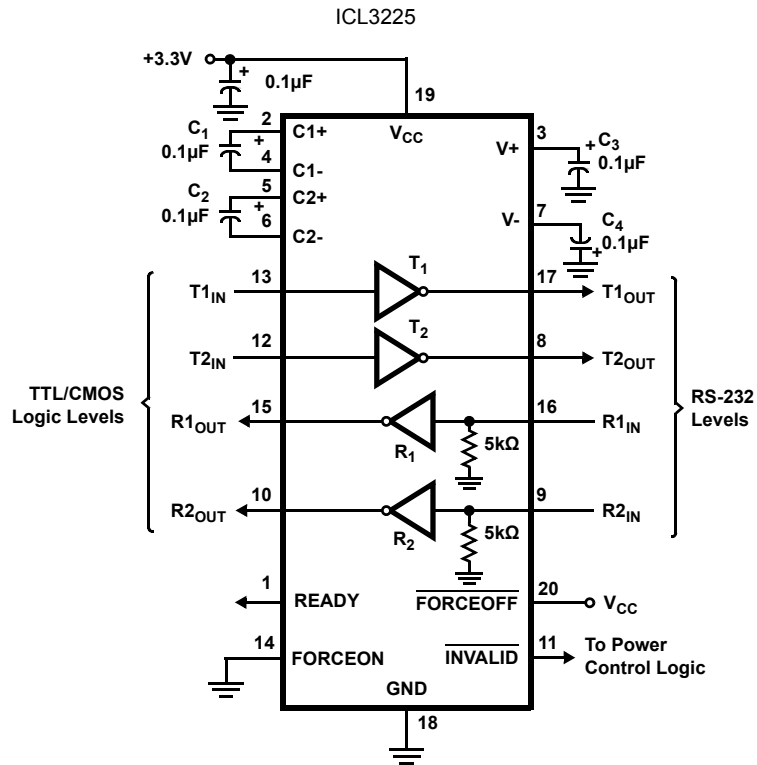
---

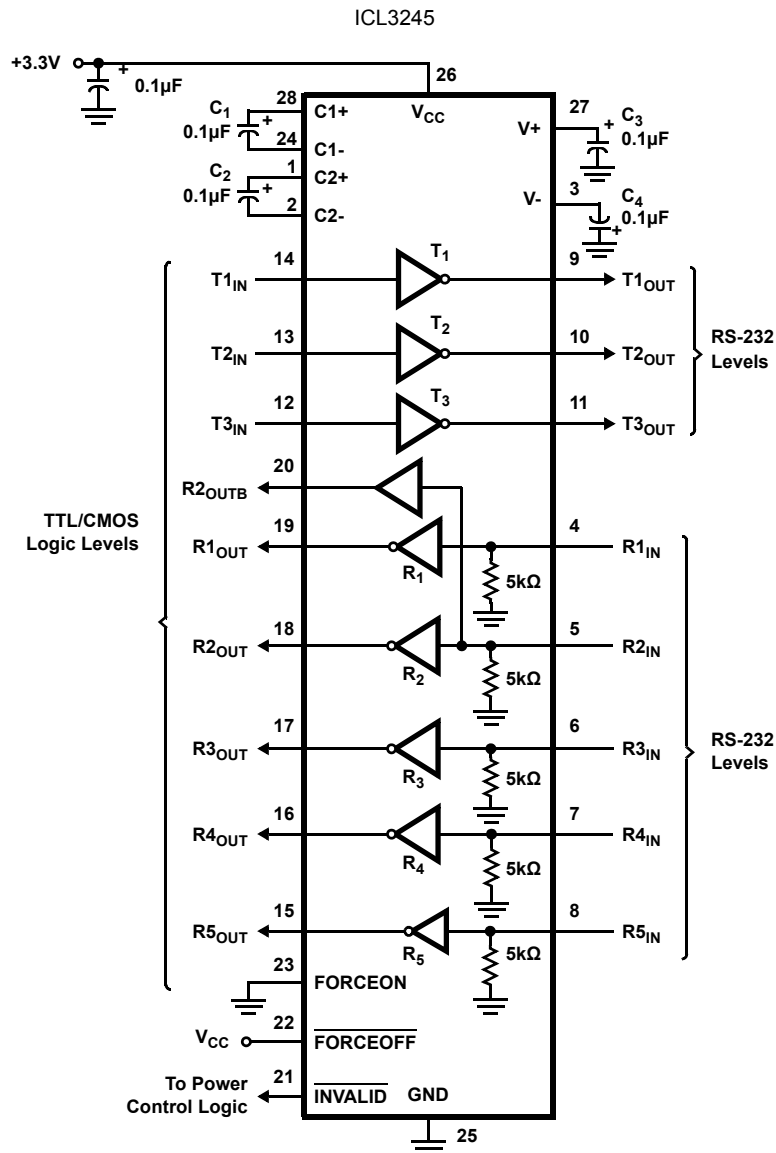
## Contents

|  |           |
|--|-----------|
| <b>1. Overview</b>                             | <b>3</b>  |
| 1.1 Typical Operating Circuits                 | 3         |
| 1.2 Ordering Information                       | 4         |
| 1.3 Pinouts                                    | 5         |
| 1.4 Pin Descriptions                           | 5         |
| <b>2. Specifications</b>                       | <b>6</b>  |
| 2.1 Absolute Maximum Ratings                   | 6         |
| 2.2 Thermal Information                        | 6         |
| 2.3 Recommended Operating Conditions           | 6         |
| 2.4 Electrical Specifications                  | 7         |
| <b>3. Typical Performance Curves</b>           | <b>9</b>  |
| <b>4. Detailed Description</b>                 | <b>10</b> |
| 4.1 Charge Pump                                | 10        |
| 4.1.1 Charge Pump Abs Max Ratings              | 10        |
| 4.2 Transmitters                               | 11        |
| 4.3 Receivers                                  | 12        |
| 4.4 Operation Down to 2.7V                     | 14        |
| 4.5 Powerdown Functionality                    | 14        |
| 4.5.1 Software Controlled (Manual) Powerdown   | 14        |
| 4.5.2 INVALID Output                           | 15        |
| 4.5.3 Enhanced Automatic Powerdown             | 15        |
| 4.5.4 Emulating Standard Automatic Powerdown   | 16        |
| 4.5.5 Hybrid Automatic Powerdown Options       | 17        |
| 4.6 READY Output (ICL3225 Only)                | 17        |
| 4.7 Capacitor Selection                        | 17        |
| 4.8 Power Supply Decoupling                    | 18        |
| 4.9 Transmitter Outputs when Exiting Powerdown | 18        |
| 4.10 Mouse Driveability                        | 18        |
| 4.11 High Data Rates                           | 19        |
| 4.12 Interconnection with 3V and 5V Logic      | 19        |
| <b>5. Die Characteristics</b>                  | <b>20</b> |
| <b>6. Revision History</b>                     | <b>21</b> |
| <b>7. Package Outline Drawings</b>             | <b>22</b> |

# 1. Overview

## 1.1 Typical Operating Circuits





## 1.2 Ordering Information

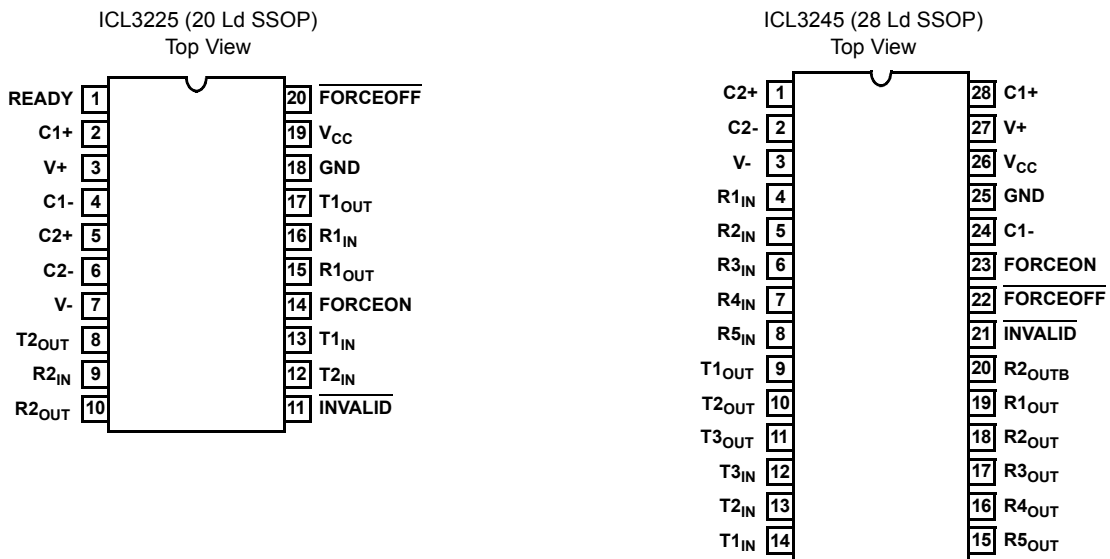
| Part Number (Notes 2, 3)  | Part Marking | Temp. Range (°C) | Tape and Reel (Units) (Note 1) | Package (RoHS Compliant) | Pkg. Dwg. # |
|---|--------------|------------------|--------------------------------|--------------------------|-------------|
| ICL3225CAZ No longer available or supported, recommended replacement: ICL3225ECAZ     | ICL32 25CAZ  | 0 to +70         | -                              | 20 Ld SSOP               | M20.209     |
| ICL3225CAZ-T No longer available or supported, recommended replacement: ICL3225ECAZ-T | ICL32 25CAZ  | 0 to +70         | 1k                             | 20 Ld SSOP               | M20.209     |
| ICL3225IAZ No longer available or supported, recommended replacement: ICL3225EIAZ     | ICL32 25IAZ  | -40 to +85       | -                              | 20 Ld SSOP               | M20.209     |
| ICL3225IAZ-T No longer available or supported, recommended replacement: ICL3225EIAZ-T | ICL32 25IAZ  | -40 to +85       | 1k                             | 20 Ld SSOP               | M20.209     |

| Part Number (Notes 2, 3) | Part Marking | Temp. Range (°C) | Tape and Reel (Units) (Note 1) | Package (RoHS Compliant) | Pkg. Dwg. # |
|--------------------------|--------------|------------------|--------------------------------|--------------------------|-------------|
| ICL3245CAZ               | ICL 3245CAZ  | 0 to +70         | -                              | 28 Ld SSOP               | M28.209     |
| ICL3245CAZ-T             | ICL 3245CAZ  | 0 to +70         | 1k                             | 28 Ld SSOP               | M28.209     |

Notes:

1. See [TB347](#) for details about reel specifications.
2. These Pb-free plastic packaged products employ special Pb-free material sets; molding compounds/die attach materials and matte tin plate termination finish, which is RoHS compliant and compatible with both SnPb and Pb-free soldering operations. Pb-free products are MSL classified at Pb-free peak reflow temperatures that meet or exceed the Pb-free requirements of IPC/JEDEC J STD-020.
3. For Moisture Sensitivity Level (MSL), see the [ICL3225](#) and [ICL3225](#) device pages. For more information about MSL, see [TB363](#).

### 1.3 Pinouts



### 1.4 Pin Descriptions

| Pin               | Function   |
|-------------------|--|
| V <sub>CC</sub>   | System power supply input (3.0V to 5.5V).  |
| V+                | Internally generated positive transmitter supply (+5.5V).  |
| V-                | Internally generated negative transmitter supply (-5.5V).  |
| GND               | Ground connection.   |
| C1+               | External capacitor (voltage doubler) is connected to this lead.  |
| C1-               | External capacitor (voltage doubler) is connected to this lead.  |
| C2+               | External capacitor (voltage inverter) is connected to this lead.   |
| C2-               | External capacitor (voltage inverter) is connected to this lead.   |
| T <sub>IN</sub>   | TTL/CMOS compatible transmitter Inputs.  |
| T <sub>OUT</sub>  | RS-232 level (nominally ±5.5V) transmitter outputs.  |
| R <sub>IN</sub>   | RS-232 compatible receiver inputs.   |
| R <sub>OUT</sub>  | TTL/CMOS level receiver outputs.   |
| R <sub>OUTB</sub> | TTL/CMOS level, noninverting, always enabled receiver outputs.   |
| INVALID           | Active low output that indicates if no valid RS-232 levels are present on any receiver input.  |
| READY             | Active high output that indicates when the ICL32xxE is ready to transmit (V- ≤ -4V)  |
| FORCEOFF          | Active low to shut down transmitters and on-chip power supply. This overrides any automatic circuitry and FORCEON (see <a href="#">Table 5 on page 12</a> ). |
| FORCEON           | Active high input to override automatic powerdown circuitry thereby keeping transmitters active. (FORCEOFF must be high).                                    |

## 2. Specifications

### 2.1 Absolute Maximum Ratings

| Parameter                           | Minimum                        | Maximum               | Unit |
|-------------------------------------|--------------------------------|-----------------------|------|
| V <sub>CC</sub> to GND              | -0.3                           | +6                    | V    |
| V+ to GND                           | -0.3                           | +7                    | V    |
| V- to GND                           | +0.3                           | -7                    | V    |
| V+ to V-                            |                                | +14                   | V    |
| <b>Input Voltages</b>               |                                |                       |      |
| T <sub>IN</sub> , FORCEOFF, FORCEON | -0.3                           | +6                    | V    |
| R <sub>IN</sub>                     |                                | ±25                   | V    |
| <b>Output Voltages</b>              |                                |                       |      |
| T <sub>OUT</sub>                    |                                | ±13.2                 | V    |
| R <sub>OUT</sub> , INVALID, READY   | -0.3                           | V <sub>CC</sub> + 0.3 | V    |
| <b>Short-Circuit Duration</b>       |                                |                       |      |
| T <sub>OUT</sub>                    |                                | Continuous            |      |
| <b>ESD Rating</b>                   | See <a href="#">ESD Rating</a> |                       |      |

CAUTION: Do not operate at or near the maximum ratings listed for extended periods of time. Exposure to such conditions can adversely impact product reliability and result in failures not covered by warranty.

### 2.2 Thermal Information

| Thermal Resistance (Typical) ( <a href="#">Note 4</a> ) | $\theta_{JA}$ (°C/W) |
|---|----------------------|
| 20 Ld SSOP Package                                      | 135                  |
| 28 Ld SSOP Package                                      | 100                  |

Note:

- $\theta_{JA}$  is measured with the component mounted on a low-effective thermal conductivity test board in free air. See [TB379](#) for details.

| Parameter                                      | Minimum                   | Maximum | Unit |
|--|---------------------------|---------|------|
| Maximum Junction Temperature (Plastic Package) |                           | +150    | °C   |
| Maximum Storage Temperature Range              | -65                       | +150    | °C   |
| Pb-Free Reflow Profile                         | see <a href="#">TB493</a> |         |      |

### 2.3 Recommended Operating Conditions

| Parameter                | Minimum | Maximum | Unit |
|--------------------------|---------|---------|------|
| <b>Temperature Range</b> |         |         |      |
| ICL32xxC                 | 0       | +70     | °C   |
| ICL32xxI                 | -40     | +85     | °C   |

## 2.4 Electrical Specifications

Test conditions:  $V_{CC} = 3V$  to  $5.5V$ ,  $C_1 - C_4 = 0.1\mu F$ ; unless otherwise specified. Typicals are at  $T_A = 25^\circ C$

| Parameter  | Test Conditions   | Temp ( $^\circ C$ )       | Min            | Typ            | Max       | Unit       |    |
|--|---|---------------------------|----------------|----------------|-----------|------------|----|
| <b>DC Characteristics</b>  |   |                           |                |                |           |            |    |
| Supply Current, Automatic Powerdown  | All $R_{IN}$ open, FORCEON = GND, $\overline{FORCEOFF} = V_{CC}$  | 25                        | -              | 1.0            | 10        | $\mu A$    |    |
| Supply Current, Powerdown  | $\overline{FORCEOFF} = GND$   | 25                        | -              | 1.0            | 10        | $\mu A$    |    |
| Supply Current, Automatic Powerdown Disabled   | All outputs unloaded, FORCEON = $\overline{FORCEOFF} = V_{CC}$  | ICL3245, $V_{CC} = 3.0V$  | 25             | -              | 0.3       | 1.0        | mA |
|  |   | ICL322x, $V_{CC} = 3.15V$ | 25             | -              | 0.3       | 1.0        | mA |
| <b>Logic and Transmitter Inputs And Receiver Outputs</b>                             |   |                           |                |                |           |            |    |
| Input Logic Threshold Low  | $T_{IN}$ , FORCEON, $\overline{FORCEOFF}$   | Full                      | -              | -              | 0.8       | V          |    |
| Input Logic Threshold High   | $T_{IN}$ , FORCEON, $\overline{FORCEOFF}$   | $V_{CC} = 3.3V$           | Full           | 2.0            | -         | -          | V  |
|  |   | $V_{CC} = 5.0V$           | Full           | 2.4            | -         | -          | V  |
| Transmitter Input Hysteresis   |   | 25                        | -              | 0.5            | -         | V          |    |
| Input Leakage Current  | $T_{IN}$ , FORCEON, $\overline{FORCEOFF}$   | Full                      | -              | $\pm 0.01$     | $\pm 1.0$ | $\mu A$    |    |
| Output Leakage Current   | $\overline{FORCEOFF} = GND$   | Full                      | -              | $\pm 0.05$     | $\pm 10$  | $\mu A$    |    |
| Output Voltage Low   | $I_{OUT} = 1.6mA$   | Full                      | -              | -              | 0.4       | V          |    |
| Output Voltage High  | $I_{OUT} = -1.0mA$  | Full                      | $V_{CC} - 0.6$ | $V_{CC} - 0.1$ | -         | V          |    |
| <b>Receiver Inputs</b>   |   |                           |                |                |           |            |    |
| Input Voltage Range  |   | Full                      | -25            | -              | 25        | V          |    |
| Input Threshold Low  | $V_{CC} = 3.3V$   | 25                        | 0.6            | 1.2            | -         | V          |    |
|  | $V_{CC} = 5.0V$   | 25                        | 0.8            | 1.5            | -         | V          |    |
| Input Threshold High   | $V_{CC} = 3.3V$   | 25                        | -              | 1.5            | 2.4       | V          |    |
|  | $V_{CC} = 5.0V$   | 25                        | -              | 1.8            | 2.4       | V          |    |
| Input Hysteresis   |   | 25                        | -              | 0.5            | -         | V          |    |
| Input Resistance   |   | 25                        | 3              | 5              | 7         | k $\Omega$ |    |
| <b>Transmitter Outputs</b>   |   |                           |                |                |           |            |    |
| Output Voltage Swing   | All transmitter outputs loaded with $3k\Omega$ to ground  | Full                      | $\pm 5.0$      | $\pm 5.4$      | -         | V          |    |
| Output Resistance  | $V_{CC} = V_+ = V_- = 0V$ , transmitter output = $\pm 2V$   | Full                      | 300            | 10M            | -         | W          |    |
| Output Short-Circuit Current   |   | Full                      | -              | $\pm 35$       | $\pm 60$  | mA         |    |
| Output Leakage Current   | $V_{OUT} = \pm 12V$ , $V_{CC} = 0V$ or $3V$ to $5.5V$<br>automatic powerdown or $\overline{FORCEOFF} = GND$                                   | Full                      | -              | -              | $\pm 25$  | $\mu A$    |    |
| <b>Mouse Driveability</b>  |   |                           |                |                |           |            |    |
| Transmitter Output Voltage<br>(See <a href="#">Figure 16</a> )                       | $T1_{IN} = T2_{IN} = GND$ , $T3_{IN} = V_{CC}$ , $T3_{OUT}$ loaded with $3k\Omega$ to GND, $T1_{OUT}$ and $T2_{OUT}$ loaded with $2.5mA$ each | Full                      | $\pm 5$        | -              | -         | V          |    |
| <b>Enhanced Automatic Powerdown</b> (FORCEON = GND, $\overline{FORCEOFF} = V_{CC}$ ) |   |                           |                |                |           |            |    |
| Receiver Input Thresholds to INVALID High  | See <a href="#">Figure 11</a>   | Full                      | -2.7           | -              | 2.7       | V          |    |
| Receiver Input Thresholds to INVALID Low   | See <a href="#">Figure 11</a>   | Full                      | -0.3           | -              | 0.3       | V          |    |
| INVALID, READY Output Voltage Low  | $I_{OUT} = 1.6mA$   | Full                      | -              | -              | 0.4       | V          |    |
| INVALID, READY Output Voltage High   | $I_{OUT} = -1.0mA$  | Full                      | $V_{CC} - 0.6$ | -              | -         | V          |    |

Test conditions:  $V_{CC} = 3V$  to  $5.5V$ ,  $C_1 - C_4 = 0.1\mu F$ ; unless otherwise specified. Typical values are at  $T_A = 25^\circ C$  (Continued)

| Parameter  | Test Conditions   | Temp ( $^\circ C$ )                        | Min  | Typ       | Max  | Unit      |         |
|--|---|--|------|-----------|------|-----------|---------|
| Receiver Positive or Negative Threshold to INVALID High Delay ( $t_{INVH}$ )   |   | 25   | -    | 1         | -    | $\mu s$   |         |
| Receiver Positive or Negative Threshold to INVALID Low Delay ( $t_{INVL}$ )    |   | 25   | -    | 30        | -    | $\mu s$   |         |
| Receiver or Transmitter Edge to Transmitters Enabled Delay ( $t_{WU}$ )        | Note 5  | 25   | -    | 100       | -    | $\mu s$   |         |
| Receiver or Transmitter Edge to Transmitters Disabled Delay ( $t_{AUTOPWDN}$ ) | Note 5  | Full                                       | 15   | 30        | 60   | sec       |         |
| <b>Timing Characteristics</b>  |   |  |      |           |      |           |         |
| Maximum Data Rate  | $R_L = 3k\Omega$ , one transmitter switching  | $C_L = 1000pF$                             | Full | 250       | -    | -         | kbps    |
|  |   | $V_{CC} = 3V$ to $4.5V$ , $C_L = 250pF$    | Full | 1000      | -    | -         | kbps    |
|  |   | $V_{CC} = 4.5V$ to $5.5V$ , $C_L = 1000pF$ | Full | 1000      | -    | -         | kbps    |
| Receiver Propagation Delay   | Receiver input to receiver output, $C_L = 150pF$  | $t_{PHL}$                                  | 25   | -         | 0.15 | -         | $\mu s$ |
|  |   | $t_{PLH}$                                  | 25   | -         | 0.15 | -         | $\mu s$ |
| Receiver Output Enable Time  | Normal operation  | 25   | -    | 200       | -    | ns        |         |
| Receiver Output Disable Time   | Normal operation  | 25   | -    | 200       | -    | ns        |         |
| Transmitter Skew   | $t_{PHL} - t_{PLH}$ (Note 6)  | 25   | -    | 25        | -    | ns        |         |
| Receiver Skew  | $t_{PHL} - t_{PLH}$ (Note 6)  | 25   | -    | 50        | -    | ns        |         |
| Transition Region Slew Rate  | $V_{CC} = 3.3V$ , $R_L = 3k\Omega$ to $7k\Omega$ , measured from $3V$ to $-3V$ or $-3V$ to $3V$ , $C_L = 150pF$ to $1000pF$ | 25   | 24   | -         | 150  | $V/\mu s$ |         |
| <b>ESD Performance</b>   |   |  |      |           |      |           |         |
| RS-232 Pins ( $T_{OUT}$ , $R_{IN}$ )   | Human Body Model  | 25   | -    | $\pm 15$  | -    | kV        |         |
|  | IEC61000-4-2 Contact Discharge  | 25   | -    | $\pm 8$   | -    | kV        |         |
|  | IEC61000-4-2 Air Gap Discharge  | 25   | -    | $>\pm 8$  | -    | kV        |         |
| All Other Pins   | Human Body Model  | 25   | -    | $\pm 2.5$ | -    | kV        |         |

## Notes:

- An "edge" is defined as a transition through the transmitter or receiver input thresholds.
- Skews are measured at the receiver input switching points (1.4V).



### 3. Typical Performance Curves

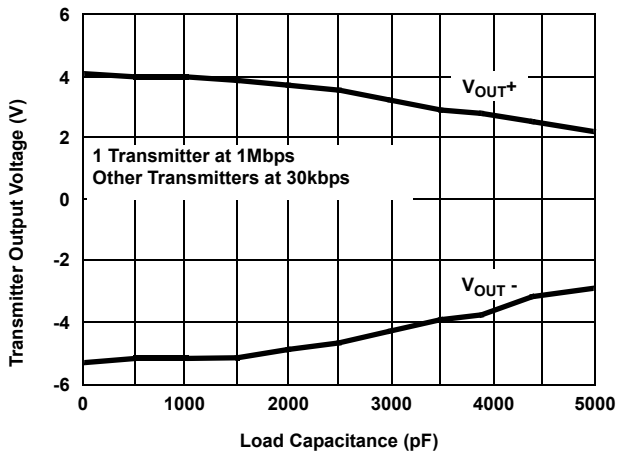


Figure 1. Transmitter Output Voltage vs Load Capacitance

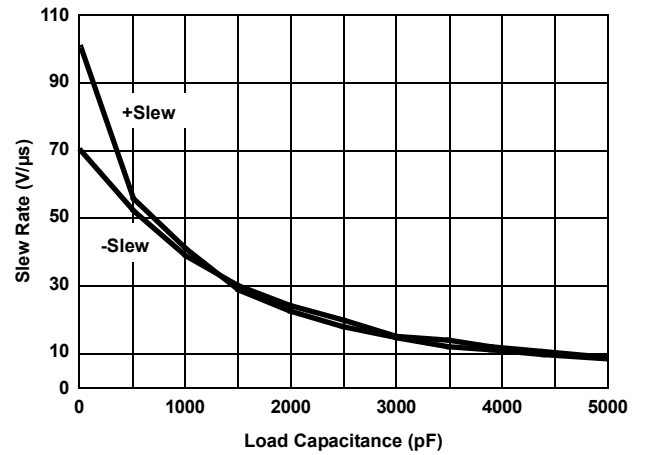


Figure 2. Slew Rate vs Load Capacitance

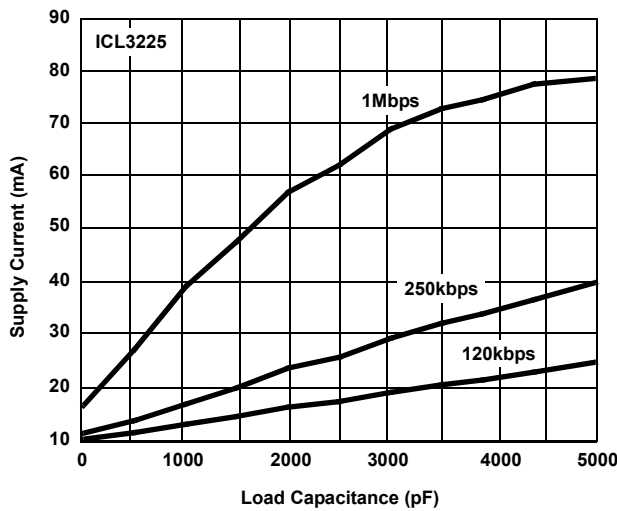


Figure 3. Supply Current vs Load Capacitance When Transmitting Data

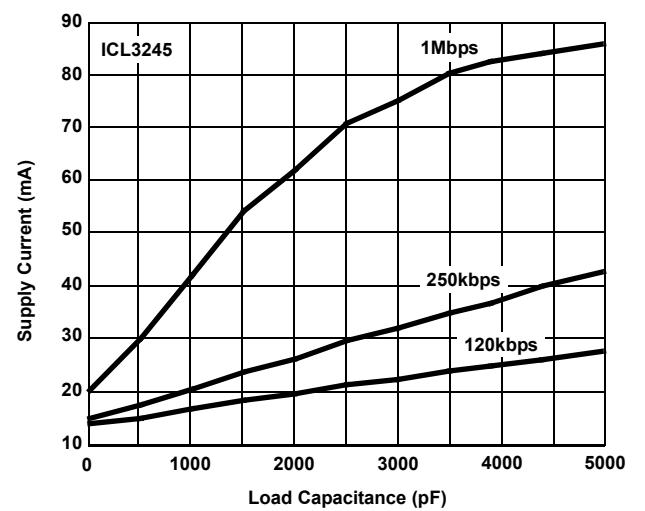


Figure 4. Supply Current vs Load Capacitance When Transmitting Data

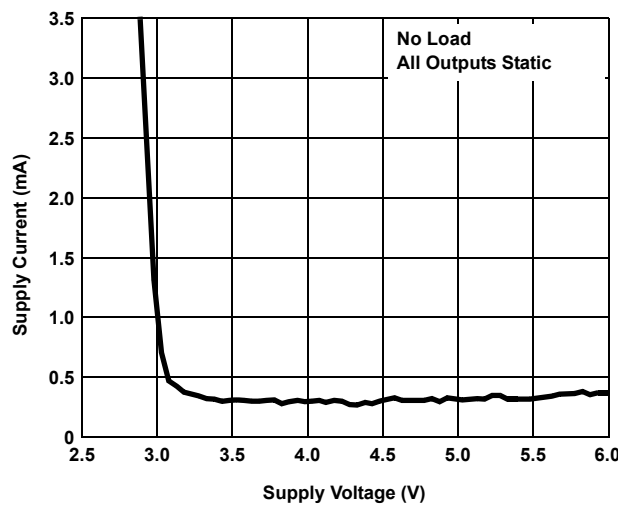


Figure 5. Supply Current vs Supply Voltage

## 4. Detailed Description

The ICL3225 and ICL3245 operate from a single +3V to +5.5V supply, ensure a 1Mbps minimum data rate, require only four small external 0.1 $\mu$ F capacitors, feature low power consumption, and meet all EIA RS-232C and V.28 specifications.

### 4.1 Charge Pump

The ICL32xx family uses regulated on-chip dual charge pumps as voltage doublers, and voltage inverters to generate  $\pm 5.5$ V transmitter supplies from a  $V_{CC}$  supply as low as 3.0V. The charge pumps allow these devices to maintain RS-232 compliant output levels over the  $\pm 10\%$  tolerance range of 3.3V powered systems. The efficient on-chip power supplies require only four small external 0.1 $\mu$ F capacitors for the voltage doubler and inverter functions at  $V_{CC} = 3.3$ V. See "[Capacitor Selection](#)" on page 17 and [Table 6](#) for capacitor recommendations for other operating conditions. The charge pumps operate discontinuously (turning off as soon as the V+ and V- supplies are pumped up to the nominal values), resulting in significant power savings.

#### 4.1.1 Charge Pump Abs Max Ratings

The ICL3238E is fully characterized for 3.0V to 3.6V operation, and at critical points for 4.5V to 5.5V operation. Furthermore, load conditions were favorable using static logic states only.

The specified maximum values for V+ and V- are +7V and -7V, respectively. These limits apply for  $V_{CC}$  values set to 3.0V and 3.6V (see [Table 2](#)). For  $V_{CC}$  values set to 4.5V and 5.5V, the maximum values for V+ and V- can approach +9V and -7V, respectively ([Table 3 on page 11](#)). The breakdown characteristics for V+ and V- were measured with  $\pm 13$ V.

**Table 2. V+ and V- Values for  $V_{CC} = 3.0$ V to 3.6V**

| C <sub>1</sub> ( $\mu$ F) | C <sub>2</sub> , C <sub>3</sub> , C <sub>4</sub> ( $\mu$ F) | Load                  | T1IN<br>(Logic State) | V+ (V)                 |                        | V- (V)                 |                        |
|---------------------------|---|-----------------------|-----------------------|------------------------|------------------------|------------------------|------------------------|
|                           |   |                       |                       | V <sub>CC</sub> = 3.0V | V <sub>CC</sub> = 3.6V | V <sub>CC</sub> = 3.0V | V <sub>CC</sub> = 3.6V |
| 0.1                       | 0.1   | Open                  | H                     | 5.80                   | 6.56                   | -5.60                  | -5.88                  |
|                           |   |                       | L                     | 5.80                   | 6.56                   | -5.60                  | -5.88                  |
|                           |   |                       | 2.4kbps               | 5.80                   | 6.56                   | -5.60                  | -5.88                  |
|                           |   | 3k $\Omega$ // 1000pF | H                     | 5.88                   | 6.60                   | -5.56                  | -5.92                  |
|                           |   |                       | L                     | 5.76                   | 6.36                   | -5.56                  | -5.76                  |
|                           |   |                       | 2.4kbps               | 6.00                   | 6.64                   | -5.64                  | -5.96                  |
| 0.047                     | 0.33  | Open                  | H                     | 5.68                   | 6.00                   | -5.60                  | -5.60                  |
|                           |   |                       | L                     | 5.68                   | 6.00                   | -5.60                  | -5.60                  |
|                           |   |                       | 2.4kbps               | 5.68                   | 6.00                   | -5.60                  | -5.60                  |
|                           |   | 3k $\Omega$ // 1000pF | H                     | 5.76                   | 6.08                   | -5.64                  | -5.64                  |
|                           |   |                       | L                     | 5.68                   | 6.04                   | -5.60                  | -5.60                  |
|                           |   |                       | 2.4kbps               | 5.84                   | 6.16                   | -5.64                  | -5.72                  |
| 1                         | 1   | Open                  | H                     | 5.88                   | 6.24                   | -5.60                  | -5.60                  |
|                           |   |                       | L                     | 5.88                   | 6.28                   | -5.60                  | -5.64                  |
|                           |   |                       | 2.4kbps               | 5.80                   | 6.20                   | -5.60                  | -5.60                  |
|                           |   | 3k $\Omega$ // 1000pF | H                     | 5.88                   | 6.44                   | -5.64                  | -5.72                  |
|                           |   |                       | L                     | 5.88                   | 6.04                   | -5.64                  | -5.64                  |
|                           |   |                       | 2.4kbps               | 5.92                   | 6.40                   | -5.64                  | -5.64                  |

**Table 3. V+ and V- Values for  $V_{CC} = 4.5V$  to  $5.5V$** 

| $C_1$ ( $\mu F$ ) | $C_2, C_3, C_4$ ( $\mu F$ ) | Load                  | T1IN<br>(Logic State) | V+ (V)          |                 | V- (V)          |                 |
|-------------------|-----------------------------|-----------------------|-----------------------|-----------------|-----------------|-----------------|-----------------|
|                   |                             |                       |                       | $V_{CC} = 4.5V$ | $V_{CC} = 5.5V$ | $V_{CC} = 4.5V$ | $V_{CC} = 5.5V$ |
| 0.1               | 0.1                         | Open                  | H                     | 7.44            | 8.48            | -6.16           | -6.40           |
|                   |                             |                       | L                     | 7.44            | 8.48            | -6.16           | -6.44           |
|                   |                             |                       | 2.4kbps               | 7.44            | 8.48            | -6.17           | -6.44           |
|                   |                             | 3k $\Omega$ // 1000pF | H                     | 7.76            | 8.88            | -6.36           | -6.72           |
|                   |                             |                       | L                     | 7.08            | 8.00            | -5.76           | -5.76           |
|                   |                             |                       | 2.4kbps               | 7.76            | 8.84            | -6.40           | -6.64           |
| 0.047             | 0.33                        | Open                  | H                     | 6.44            | 6.88            | -5.80           | -5.88           |
|                   |                             |                       | L                     | 6.48            | 6.88            | -5.84           | -5.88           |
|                   |                             |                       | 2.4kbps               | 6.44            | 6.88            | -5.80           | -5.88           |
|                   |                             | 3k $\Omega$ // 1000pF | H                     | 6.64            | 7.28            | -5.92           | -6.04           |
|                   |                             |                       | L                     | 6.24            | 6.60            | -5.52           | -5.52           |
|                   |                             |                       | 2.4kbps               | 6.72            | 7.16            | -5.92           | -5.96           |
| 1                 | 1                           | Open                  | H                     | 6.84            | 7.60            | -5.76           | -5.76           |
|                   |                             |                       | L                     | 6.88            | 7.60            | -5.76           | -5.76           |
|                   |                             |                       | 2.4kbps               | 6.92            | 7.56            | -5.72           | -5.76           |
|                   |                             | 3k $\Omega$ // 1000pF | H                     | 7.28            | 8.16            | -5.80           | -5.92           |
|                   |                             |                       | L                     | 6.44            | 6.84            | -5.64           | -6.84           |
|                   |                             |                       | 2.4kbps               | 7.08            | 7.76            | -5.80           | -5.80           |

The resulting new maximum voltages at V+ and V- are listed in [Table 4](#).

**Table 4. New Measured Withstanding Voltages**

|                  |           |
|------------------|-----------|
| V+, V- to Ground | $\pm 13V$ |
| V+ to V-         | 20V       |

## 4.2 Transmitters

The transmitters are proprietary, low dropout, inverting drivers that translate TTL/CMOS inputs to EIA/TIA-232 output levels. The transmitters are coupled with the on-chip  $\pm 5.5V$  supplies and deliver true RS-232 levels across a wide range of single supply system voltages.

Transmitter outputs disable and assume a high impedance state when the device enters the powerdown mode (see [Table 5 on page 12](#)). These outputs can be driven to  $\pm 12V$  when disabled.

All devices ensure a 1Mbps data rate for full load conditions (3k $\Omega$  and 250pF),  $V_{CC} \geq 3.0V$ , with one transmitter operating at full speed. Under more typical conditions of  $V_{CC} \geq 3.3V$ ,  $R_L = 3k\Omega$ , and  $C_L = 250pF$ , one transmitter easily operates at 1.4Mbps. Transmitter skew is extremely low on the ICL3225 and ICL3245, and is specified at the receiver input trip points (1.4V) rather than the arbitrary 0V crossing point typical of other RS-232 families.

Transmitter inputs float if unconnected and may cause  $I_{CC}$  increases. Connect unused inputs to GND for the best performance.

### 4.3 Receivers

All the ICL32xx devices contain standard inverting receivers, but only the ICL3245 receivers can tri-state with the FORCEOFF control line. The ICL3245 also includes a noninverting (monitor) receiver (denoted by the R<sub>OUTB</sub> label) that is always active, regardless of the state of any control lines. Both receiver types convert RS-232 signals to CMOS output levels and accept inputs up to ±25V while presenting the required 3kΩ to 7kΩ input impedance (see Figure 6) even if the power is off (V<sub>CC</sub> = 0V). The receivers' Schmitt trigger input stage uses hysteresis to increase noise immunity and decrease errors due to slow input signal transitions.

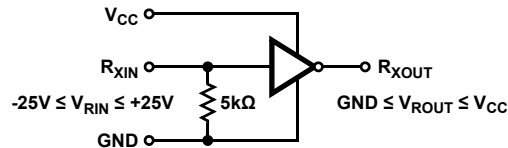


Figure 6. Inverting Receiver Connections

The ICL3245 inverting receivers disable during forced (manual) powerdown, but not during automatic powerdown (see Table 5).

Table 5. Powerdown Logic Truth Table

| Rcvr or Xmtr Edge Within 30s?  | FORCEOFF Input         | FORCEON Input          | Transmitter Outputs | Receiver Outputs | (Note 7) R <sub>OUTB</sub> Outputs | Rs-232 Level Present at Receiver Input? | INVALID Output | Mode of Operation                                   |
|--|------------------------|------------------------|---------------------|------------------|------------------------------------|---|----------------|---|
| <b>ICL3225</b>   |                        |                        |                     |                  |                                    |   |                |   |
| No   | H                      | H                      | Active              | Active           | N/A                                | No                                      | L              | Normal Operation (Enhanced Auto Powerdown Disabled) |
| No   | H                      | H                      | Active              | Active           | N/A                                | Yes                                     | H              |   |
| Yes  | H                      | L                      | Active              | Active           | N/A                                | No                                      | L              | Normal Operation (Enhanced Auto Powerdown Enabled)  |
| Yes  | H                      | L                      | Active              | Active           | N/A                                | Yes                                     | H              |   |
| No   | H                      | L                      | High-Z              | Active           | N/A                                | No                                      | L              | Powerdown Due to Enhanced Auto Powerdown Logic      |
| No   | H                      | L                      | High-Z              | Active           | N/A                                | Yes                                     | H              |   |
| X  | L                      | X                      | High-Z              | Active           | N/A                                | No                                      | L              | Manual Powerdown                                    |
| X  | L                      | X                      | High-Z              | Active           | N/A                                | Yes                                     | H              |   |
| <b>ICL322X - INVALID Driving FORCEON and FORCEOFF (Emulates Automatic Powerdown)</b> |                        |                        |                     |                  |                                    |   |                |   |
| X  | <a href="#">Note 8</a> | <a href="#">Note 8</a> | Active              | Active           | N/A                                | Yes                                     | H              | Normal Operation                                    |
| X  | <a href="#">Note 8</a> | <a href="#">Note 8</a> | High-Z              | Active           | N/A                                | No                                      | L              | Forced Auto Powerdown                               |
| <b>ICL3245</b>   |                        |                        |                     |                  |                                    |   |                |   |
| No   | H                      | H                      | Active              | Active           | Active                             | No                                      | L              | Normal Operation (Enhanced Auto Powerdown Disabled) |
| No   | H                      | H                      | Active              | Active           | Active                             | Yes                                     | H              |   |
| Yes  | H                      | L                      | Active              | Active           | Active                             | No                                      | L              | Normal Operation (Enhanced Auto Powerdown Enabled)  |
| Yes  | H                      | L                      | Active              | Active           | Active                             | Yes                                     | H              |   |
| No   | H                      | L                      | High-Z              | Active           | Active                             | No                                      | L              | Powerdown Due to Enhanced Auto Powerdown Logic      |
| No   | H                      | L                      | High-Z              | Active           | Active                             | Yes                                     | H              |   |
| X  | L                      | X                      | High-Z              | High-Z           | Active                             | No                                      | L              | Manual Powerdown                                    |
| X  | L                      | X                      | High-Z              | High-Z           | Active                             | Yes                                     | H              |   |

**Table 5. Powerdown Logic Truth Table**

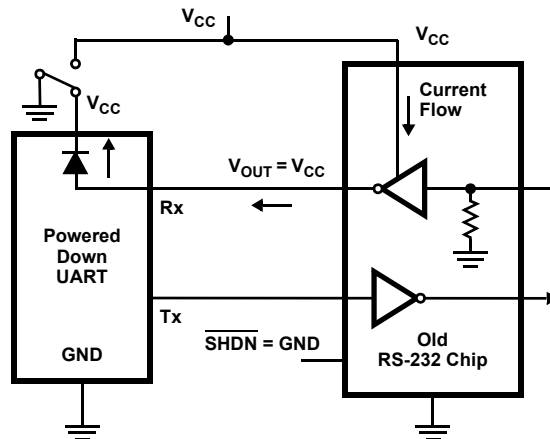
| Rcvr or Xmtr Edge Within 30s?   | $\overline{\text{FORCEOFF}}$ Input | FORCEON Input | Transmitter Outputs | Receiver Outputs | (Note 7) $\text{R}_{\text{OUTB}}$ Outputs | Rs-232 Level Present at Receiver Input? | $\overline{\text{INVALID}}$ Output | Mode of Operation     |
|---|------------------------------------|---------------|---------------------|------------------|---|---|------------------------------------|-----------------------|
| ICL3245 - $\overline{\text{INVALID}}$ Driving FORCEON and FORCEOFF (Emulates Automatic Powerdown) |                                    |               |                     |                  |   |   |                                    |                       |
| X   | Note 8                             | Note 8        | Active              | Active           | Active                                    | Yes                                     | H                                  | Normal Operation      |
| X   | Note 8                             | Note 8        | High-Z              | High-Z           | Active                                    | No                                      | L                                  | Forced Auto Powerdown |

Notes:

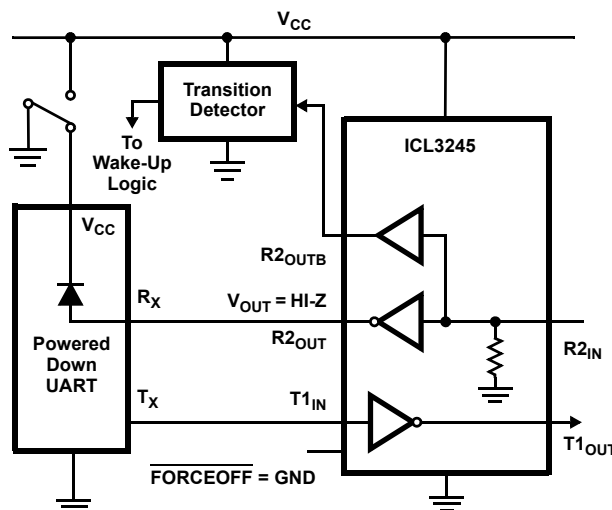
7. Applies to the ICL3245 only.

8. Input is connected to the  $\overline{\text{INVALID}}$  output.

Conversely, the monitor receiver remains active even during manual powerdown, so it is extremely useful for Ring Indicator monitoring. Standard receivers driving powered down peripherals must be disabled to prevent current flow through the peripheral's protection diodes (see Figures 7 and 8). Disabling the receivers prevents them from being used for wake up functions, but the corresponding monitor receiver can be dedicated to this task as shown in Figure 7.



**Figure 7. Power Drain Through Powered Down Peripheral**



**Figure 8. Disabled Receivers Prevent Power Drain**

#### 4.4 Operation Down to 2.7V

The ICL3225 and ICL3245 transmitter outputs meet RS-562 levels ( $\pm 3.7V$ ) at full data rate with  $V_{CC}$  as low as 2.7V. RS-562 levels typically ensure interoperability with RS-232 devices.

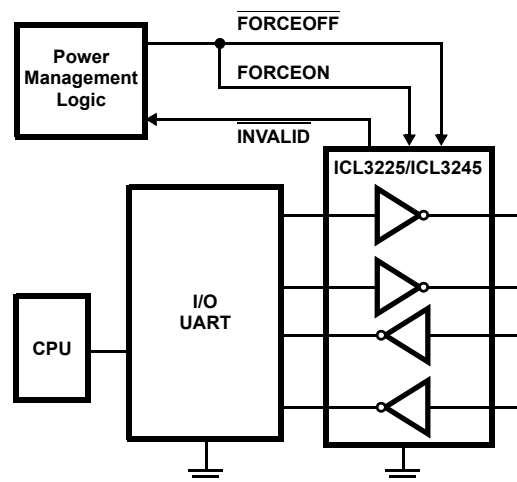
#### 4.5 Powerdown Functionality

The ICL3225 and ICL3245 require a nominal supply current of 0.3mA during normal operation (not in powerdown mode). This supply current is considerably less than the 5mA to 11mA current required by 5V RS-232 devices. The already low current requirement drops significantly when the device enters powerdown mode. In powerdown, supply current drops to 1 $\mu$ A because the on-chip charge pump turns off ( $V_+$  collapses to  $V_{CC}$ ,  $V_-$  collapses to GND), and the transmitter outputs tri-state. Inverting receiver outputs may disable in powerdown; see [Table 5 on page 12](#) for details. This micro-power mode makes the ICL3225 and ICL3245 ideal for battery powered and portable applications.

##### 4.5.1 Software Controlled (Manual) Powerdown

The ICL3225 and ICL3245 allow you to force the IC into the low power standby state, and uses a two pin approach where the FORCEON and  $\overline{\text{FORCEOFF}}$  inputs determine the IC's mode. For always enabled operation, FORCEON and  $\overline{\text{FORCEOFF}}$  are both strapped high. Under logic or software control, only the  $\overline{\text{FORCEOFF}}$  input needs to be driven to switch between active and powerdown modes. The FORCEON state is not critical because  $\overline{\text{FORCEOFF}}$  overrides FORCEON. However, if strictly manual control over powerdown is needed, you must strap FORCEON high to disable the enhanced automatic powerdown circuitry. ICL3245 inverting (standard) receiver outputs also disable when the device is in powerdown and eliminate the possible current path through a shutdown peripheral's input protection diode (see [Figures 7 and 8](#)).

Connecting  $\overline{\text{FORCEOFF}}$  and FORCEON together disables the enhanced automatic powerdown feature and enables them to function as a manual SHUTDOWN input (see [Figure 9](#)).



**Figure 9. Connections for Manual Powerdown When No Valid Receiver Signals are Present**

With any of the above control schemes, the time required to exit powerdown and resume transmission is only 100 $\mu$ s.

When using both manual and enhanced automatic powerdown ( $\text{FORCEON} = 0$ ), the ICL3225/ICL3245 does not power up from manual powerdown until both  $\overline{\text{FORCEOFF}}$  and FORCEON are driven high, or until a transition occurs on a receiver or transmitter input. [Figure 10 on page 15](#) shows a circuit for ensuring that the ICL3225/ICL3245 powers up as soon as  $\overline{\text{FORCEOFF}}$  switches high. The rising edge of the Master Powerdown signal forces the ICL3225/ICL3245 to power up, and the ICL3225/ICL3245 returns to enhanced automatic powerdown mode an RC time constant after this rising edge. The time constant is not critical because the ICL3225/ICL3245 remains powered up for 30 seconds after the FORCEON falling edge, even if there are no signal transitions. This gives slow-to-wake systems (for example, a mouse) plenty of time to start transmitting. As long as the systems start transmitting within 30 seconds, both systems remain enabled.

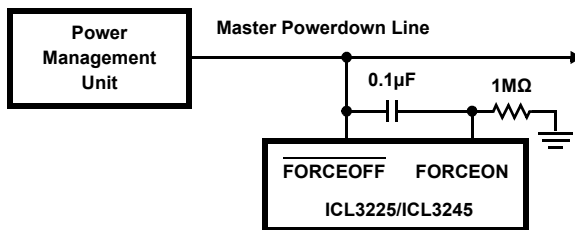


Figure 10. Circuit to Ensure Immediate Power Up When Exiting Forced Powerdown

### 4.5.2 $\overline{\text{INVALID}}$ Output

Table 5 shows that the  $\overline{\text{INVALID}}$  output always indicates whether 30µs have elapsed with invalid RS-232 signals persisting on all of the receiver inputs (see Figures 11 and 13). The indicator provides an easy way to determine when the interface block should power down. Invalid receiver levels occur whenever the driving peripheral's outputs are shut off (powered down) or when the RS-232 interface cable is disconnected. If an interface cable is disconnected and all the receiver inputs are floating (but pulled to GND by the internal receiver pull down resistors), the  $\overline{\text{INVALID}}$  logic detects the invalid levels and drives the output low. The power management logic then uses the indicator to power down the interface block. Reconnecting the cable restores valid levels at the receiver inputs,  $\overline{\text{INVALID}}$  switches high, and the power management logic wakes up the interface block.  $\overline{\text{INVALID}}$  can also be used to indicate the DTR or RING INDICATOR signal as long as the other receiver inputs are floating, or driven to GND (as in the case of a powered down driver).

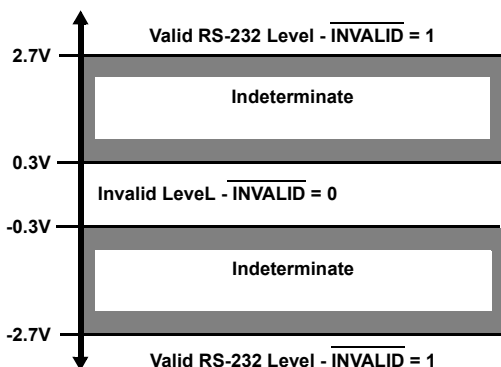


Figure 11. Definition of Valid RS-232 Receiver Levels

### 4.5.3 Enhanced Automatic Powerdown

Even greater power savings are available by using the enhanced automatic powerdown function. When the enhanced powerdown logic determines that no transitions have occurred on any of the transmitter or receiver inputs for 30 seconds, the charge pump and transmitters power down and reduce supply current to 1µA. The ICL3225/ICL3245 automatically powers back up whenever it detects a transition on one of these inputs. This automatic powerdown feature provides additional system power savings without changes to the existing operating system.

Enhanced automatic powerdown operates when the FORCEON input is low and the  $\overline{\text{FORCEOFF}}$  input is high. Tying FORCEON high disables automatic powerdown, but manual powerdown is always available from the overriding  $\overline{\text{FORCEOFF}}$  input. Table 5 summarizes the enhanced automatic powerdown functionality.

Figure 12 illustrates the enhanced powerdown control logic. **Note:** When the ICL3225/ICL3245 enters powerdown (manually or automatically), the 30 second timer remains timed out (set), keeping the ICL3225/ICL3245 powered down until FORCEON transitions high, or until a transition occurs on a receiver or transmitter input.

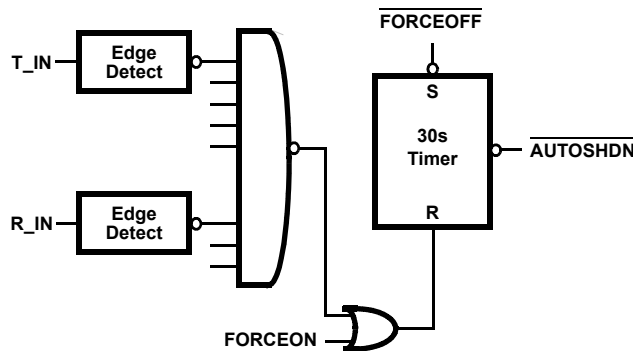


Figure 12. Enhanced Automatic Powerdown Logic

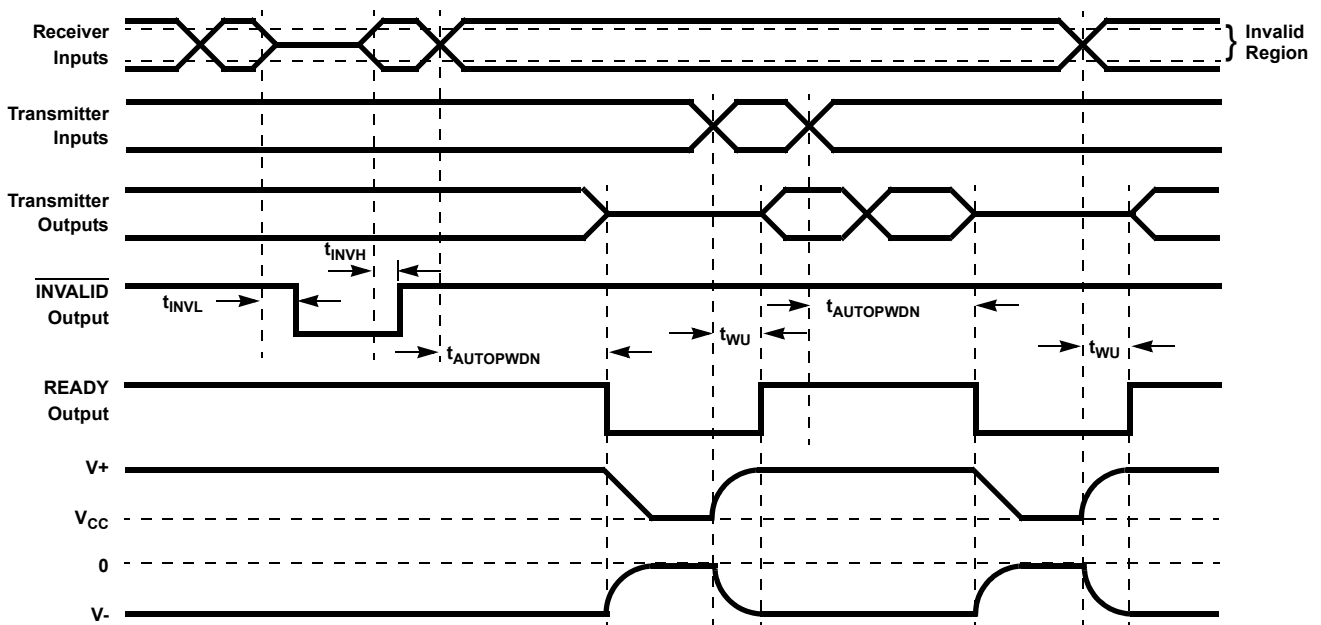


Figure 13. Enhanced Automatic Powerdown,  $\overline{\text{INVALID}}$ , and  $\text{READY}$  Timing Diagrams

The  $\overline{\text{INVALID}}$  output signal switches low to indicate that invalid levels have persisted on all of the receiver inputs for more than 30 $\mu\text{s}$  (see Figure 13), but this has no direct effect on the state of the ICL3225/ICL3245 (see [Emulating Standard Automatic Powerdown](#) and [Hybrid Automatic Powerdown Options](#) for methods of using  $\overline{\text{INVALID}}$  to power down the device).  $\overline{\text{INVALID}}$  switches high 1 $\mu\text{s}$  after detecting a valid RS-232 level on a receiver input.  $\overline{\text{INVALID}}$  operates in all modes (forced or automatic powerdown, or forced on), so it is also useful for systems employing manual powerdown circuitry.

The time to recover from automatic powerdown mode is typically 100 $\mu\text{s}$ .

#### 4.5.4 Emulating Standard Automatic Powerdown

If enhanced automatic powerdown is not required, you can implement the standard automatic powerdown feature (mimics the function on the ICL3221, ICL3223, and ICL3243) by connecting the  $\overline{\text{INVALID}}$  output to the  $\text{FORCEON}$  and  $\overline{\text{FORCEOFF}}$  inputs, as shown in [Figure 14 on page 17](#). After 30 $\mu\text{s}$  of invalid receiver levels,  $\overline{\text{INVALID}}$  switches low and drives the ICL3225/ICL3245 into a forced powerdown condition.  $\overline{\text{INVALID}}$  switches high as soon as a receiver input senses a valid RS-232 level and forces the ICL3225/ICL3245 to power on. See the “ $\overline{\text{INVALID}}$  DRIVING  $\text{FORCEON}$  AND  $\overline{\text{FORCEOFF}}$ ” section of [Table 5 on page 12](#) for an operational summary. This



operational mode is perfect for handheld devices that communicate with another computer through a detachable cable. Detaching the cable allows the internal receiver pull-down resistors to pull the inputs to GND (an invalid RS-232 level) and causes the 30µs timer to time out and drive the IC into powerdown. Reconnecting the cable restores valid levels and causes the IC to power back up.

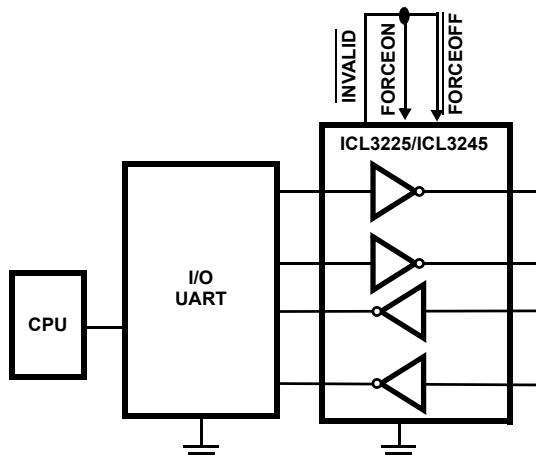


Figure 14. Connections for Automatic Powerdown When No Valid Receiver Signals Are Present

### 4.5.5 Hybrid Automatic Powerdown Options

For devices that communicate only through a detachable cable, you can connect  $\overline{\text{INVALID}}$  to  $\overline{\text{FORCEOFF}}$  (with  $\text{FORCEON} = 0$ ). While the cable is attached,  $\overline{\text{INVALID}}$  and  $\overline{\text{FORCEOFF}}$  remain high, so the enhanced automatic powerdown logic powers down the RS-232 device whenever there is 30 seconds of inactivity on the receiver and transmitter inputs. Detaching the cable allows the receiver inputs to drop to an invalid level (GND), so  $\overline{\text{INVALID}}$  switches low and forces the RS-232 device to power down. The ICL3225/ICL3245 remains powered down until the cable is reconnected ( $\overline{\text{INVALID}} = \overline{\text{FORCEOFF}} = 1$ ) and a transition occurs on a receiver or transmitter input (see [Figure 12 on page 16](#)). For immediate power up when the cable is reattached, connect  $\text{FORCEON}$  to  $\overline{\text{FORCEOFF}}$  through a network similar to that shown in [Figure 10 on page 15](#).

### 4.6 READY Output (ICL3225 Only)

The READY output indicates that the ICL3225/ICL3245 is ready to transmit. READY switches low whenever the device enters powerdown and switches back high during power-up when  $V^-$  reaches -4V or lower.

### 4.7 Capacitor Selection

The charge pumps require 0.1µF capacitors for 3.3V operation. For other supply voltages, see [Table 6](#) for capacitor values. Do not use values smaller than those listed in [Table 6](#). Increasing the capacitor values (by a factor of 2) reduces ripple on the transmitter outputs and slightly reduces power consumption.  $C_2$ ,  $C_3$ , and  $C_4$  can be increased without increasing  $C_1$ 's value; however, do not increase  $C_1$  without also increasing  $C_2$ ,  $C_3$ , and  $C_4$  to maintain the proper ratios ( $C_1$  to the other capacitors).

When using minimum required capacitor values, make sure that capacitor values do not degrade excessively with temperature. If in doubt, use capacitors with a larger nominal value. The capacitor's Equivalent Series Resistance (ESR) usually rises at low temperatures and influences the amount of ripple on  $V^+$  and  $V^-$ .

Table 6. Required Capacitor Values

| $V_{CC}$ (V) | $C_1$ (µF) | $C_2, C_3, C_4$ (µF) |
|--------------|------------|----------------------|
| 3.0 to 3.6   | 0.1        | 0.1                  |
| 4.5 to 5.5   | 0.047      | 0.33                 |
| 3.0 to 5.5   | 0.1        | 0.47                 |

### 4.8 Power Supply Decoupling

In most circumstances a 0.1µF bypass capacitor is adequate. In applications that are particularly sensitive to power supply noise, decouple V<sub>CC</sub> to ground with a capacitor of the same value as the charge-pump capacitor C<sub>1</sub>. Connect the bypass capacitor as close as possible to the IC.

### 4.9 Transmitter Outputs when Exiting Powerdown

Figure 15 shows the response of two transmitter outputs when exiting powerdown mode. As the transmitter outputs activate, they properly go to opposite RS-232 levels, with no glitching, ringing, or undesirable transients. Each transmitter is loaded with 3kΩ in parallel with 2500pF. **Note:** The transmitters enable only when the magnitude of the supplies exceed approximately 3V.

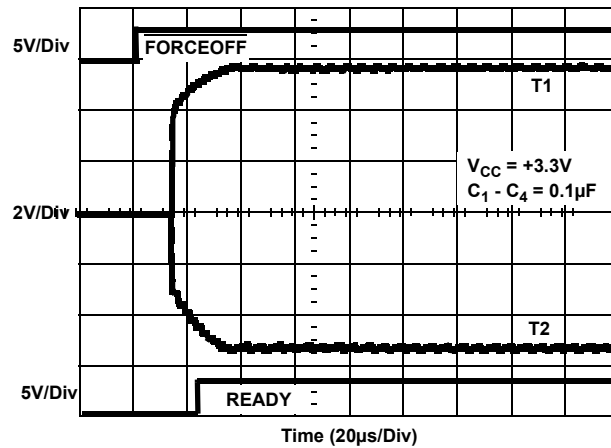


Figure 15. Transmitter Outputs When Exiting Powerdown

### 4.10 Mouse Driveability

The ICL3245 is specifically designed to power a serial mouse while operating from low voltage supplies. Figure 16 shows the transmitter output voltages under increasing load current. The on-chip switching regulator ensures the transmitters supply at least ±5V during worst case conditions (15mA for paralleled V<sub>+</sub> transmitters, 7.3mA for single V<sub>-</sub> transmitter).

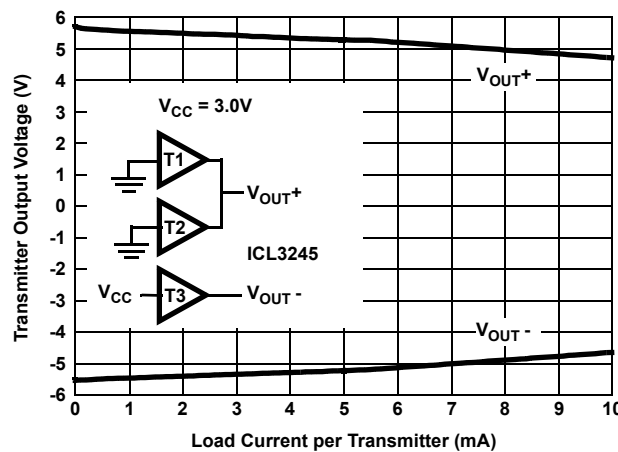


Figure 16. Transmitter Output Voltage vs Load Current (Per Transmitter (Double Current Axis for Total V<sub>OUT+</sub> Current))

### 4.11 High Data Rates

The ICL3225/ICL3245 maintain the RS-232  $\pm 5V$  minimum transmitter output voltages even at high data rates. [Figure 17](#) shows a transmitter loopback test circuit, and [Figure 18](#) shows the loopback test result at 250kbps. For this test, all transmitters were simultaneously driving RS-232 loads in parallel with 1000pF, at 250kbps. [Figure 19](#) shows the loopback results for a single transmitter driving 250pF and an RS-232 load at 1Mbps. The static transmitters were also loaded with an RS-232 receiver.

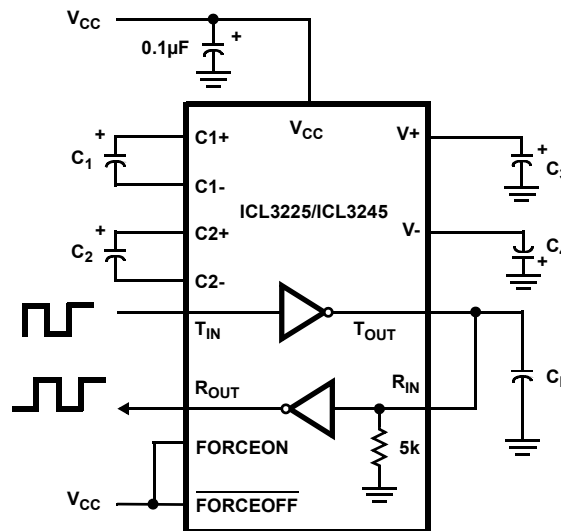


Figure 17. Transmitter Loopback Test Circuit

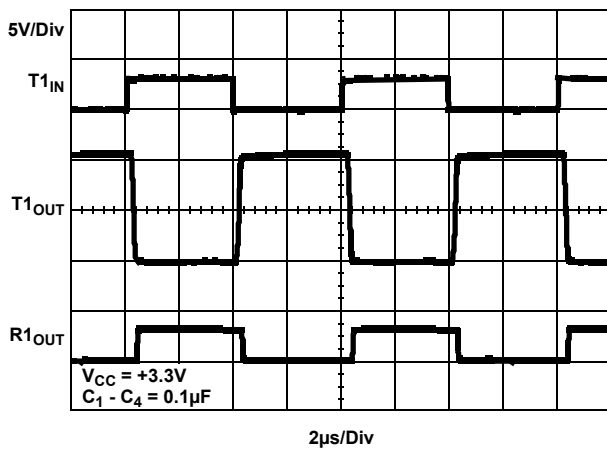


Figure 18. Loopback Test at 250kbps ( $C_L = 1000pF$ )

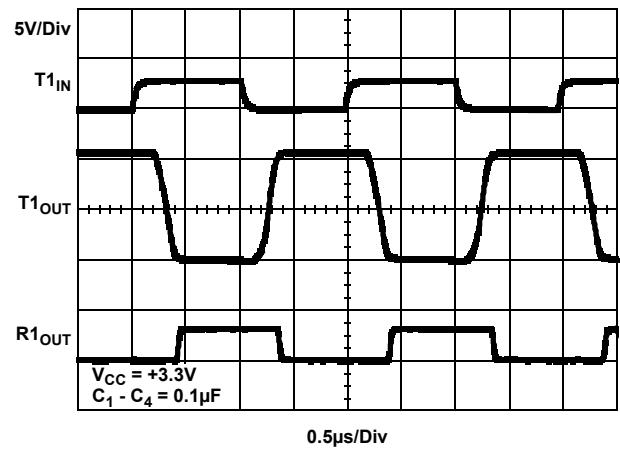


Figure 19. Loopback Test at 1Mbps ( $C_L = 250pF$ )

### 4.12 Interconnection with 3V and 5V Logic

The ICL3225/ICL3245 directly interfaces with 5V CMOS and TTL logic families. AC, HC, and CD4000 can drive ICL3225/ICL3245 inputs at 3.3V and the logic supply at 5V, but ICL3225/ICL3245 outputs do not reach the minimum  $V_{IH}$  for these logic families. See [Table 7](#) for more information.

Table 7. Logic Family Compatibility with Various Supply Voltages

| System Power-Supply Voltage (V) | V <sub>CC</sub> Supply Voltage (V) | Compatibility   |
|---------------------------------|------------------------------------|---|
| 3.3                             | 3.3                                | Compatible with all CMOS families.  |
| 5                               | 5                                  | Compatible with all TTL and CMOS logic families.  |
| 5                               | 3.3                                | Compatible with ACT and HCT CMOS, and with TTL. ICL3225/ICL3245 outputs are incompatible with AC, HC, and CD4000 CMOS inputs. |

## 5. Die Characteristics

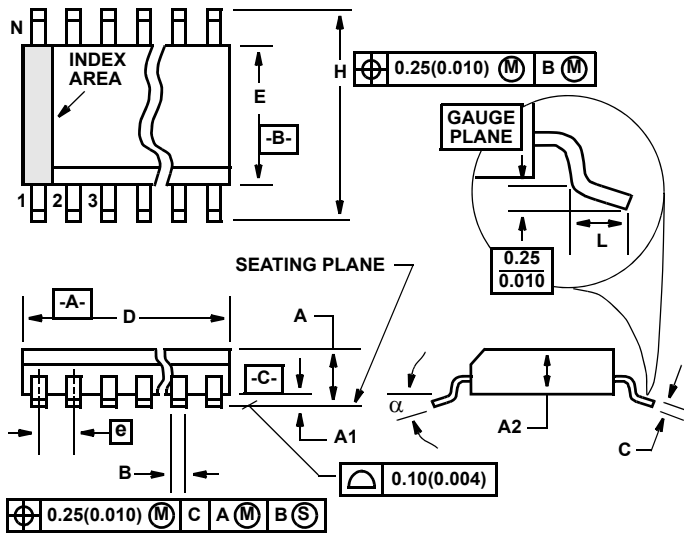
|                                  |              |
|----------------------------------|--------------|
| Substrate Potential (Powered Up) | GND          |
| <b>Transistor Count</b>          |              |
| ICL3225                          | 937          |
| ICL3245                          | 1109         |
| Process                          | Si Gate CMOS |

## 6. Revision History

| Date      | Revision  | Change   |
|-----------|-----------|--|
| May.29.19 | FN4878.10 | Updated ordering information table starting on page 4:<br>-Added tape and reel column<br>-Added notes 1 and 3<br>-Added information about recommended replacements for end of life parts: ICL3225CAZ, ICL3225CAZ-T, ICL3225IAZ, and ICL3225IAZ-T<br>-Removed ICL3225CPZ, ICL3245IVZ, and ICL3245IVZ-T<br>Removed package outline drawings E20.3 and M28.173.<br>Added Charge Pump Abs Max Ratings section starting on page 12.<br>Applied new template.<br>Updated disclaimer. |
| Oct.5.15  | FN4878.9  | Added Rev History and About Intersil section.<br>Updated Ordering Information on page 5.   |

## 7. Package Outline Drawings

For the most recent package outline drawing, see [M20.209](#).



**M20.209 (JEDEC MO-150-AE ISSUE B)**  
**20 Lead Shrink Small Outline Plastic Package (SSOP)**

| SYMBOL   | INCHES    |        | MILLIMETERS |        | NOTES |
|----------|-----------|--------|-------------|--------|-------|
|          | MIN       | MAX    | MIN         | MAX    |       |
| A        | 0.068     | 0.078  | 1.73        | 1.99   |       |
| A1       | 0.002     | 0.008  | 0.05        | 0.21   |       |
| A2       | 0.066     | 0.070  | 1.68        | 1.78   |       |
| B        | 0.010     | 0.015  | 0.25        | 0.38   | 9     |
| C        | 0.004     | 0.008  | 0.09        | 0.20   |       |
| D        | 0.278     | 0.289  | 7.07        | 7.33   | 3     |
| E        | 0.205     | 0.212  | 5.20        | 5.38   | 4     |
| e        | 0.026 BSC |        | 0.65 BSC    |        |       |
| H        | 0.301     | 0.311  | 7.65        | 7.90   |       |
| L        | 0.025     | 0.037  | 0.63        | 0.95   | 6     |
| N        | 20        |        | 20          |        | 7     |
| $\alpha$ | 0 deg.    | 8 deg. | 0 deg.      | 8 deg. |       |

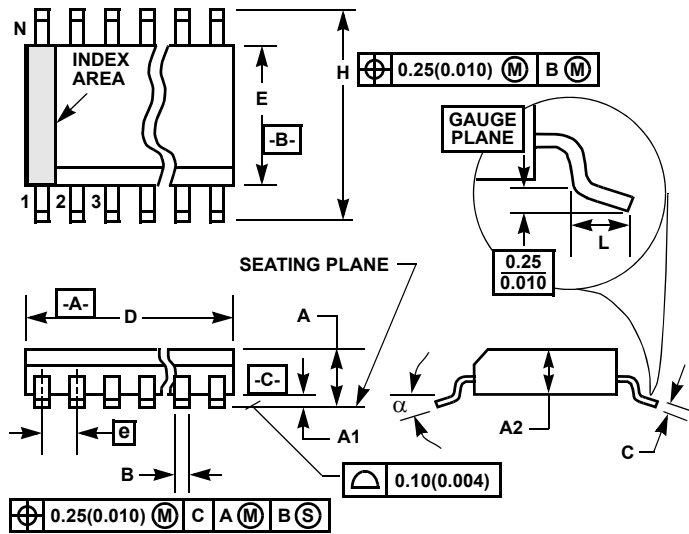
Rev. 3 11/02

Notes:

1. Symbols are defined in the "MO Series Symbol List" in Section 2.2 of Publication Number 95.
2. Dimensioning and tolerancing per ANSI Y14.5M-1982.
3. Dimension "D" does not include mold flash, protrusions or gate burrs. Mold flash, protrusion and gate burrs shall not exceed 0.20mm (0.0078 inch) per side.
4. Dimension "E" does not include interlead flash or protrusions. Interlead flash and protrusions shall not exceed 0.20mm (0.0078 inch) per side.
5. The chamfer on the body is optional. If it is not present, a visual index feature must be located within the crosshatched area.
6. "L" is the length of terminal for soldering to a substrate.
7. "N" is the number of terminal positions.
8. Terminal numbers are shown for reference only.
9. Dimension "B" does not include dambar protrusion. Allowable dambar protrusion shall be 0.13mm (0.005 inch) total in excess of "B" dimension at maximum material condition.
10. Controlling dimension: MILLIMETER. Converted inch dimensions are not necessarily exact.

For the most recent package outline drawing, see [M28.209](#).

**M28.209 (JEDEC MO-150-AH ISSUE B)**  
**28 Lead Shrink Small Outline Plastic Package (SSOP)**



| SYMBOL   | INCHES    |       | MILLIMETERS |       | NOTES |
|----------|-----------|-------|-------------|-------|-------|
|          | MIN       | MAX   | MIN         | MAX   |       |
| A        | -         | 0.078 | -           | 2.00  | -     |
| A1       | 0.002     | -     | 0.05        | -     | -     |
| A2       | 0.065     | 0.072 | 1.65        | 1.85  | -     |
| B        | 0.009     | 0.014 | 0.22        | 0.38  | 9     |
| C        | 0.004     | 0.009 | 0.09        | 0.25  | -     |
| D        | 0.390     | 0.413 | 9.90        | 10.50 | 3     |
| E        | 0.197     | 0.220 | 5.00        | 5.60  | 4     |
| e        | 0.026 BSC |       | 0.65 BSC    |       | -     |
| H        | 0.292     | 0.322 | 7.40        | 8.20  | -     |
| L        | 0.022     | 0.037 | 0.55        | 0.95  | 6     |
| N        | 28        |       | 28          |       | 7     |
| $\alpha$ | 0°        | 8°    | 0°          | 8°    | -     |

Rev. 2 6/05

Notes:

1. Symbols are defined in the "MO Series Symbol List" in Section 2.2 of Publication Number 95.
2. Dimensioning and tolerancing per ANSI Y14.5M-1982.
3. Dimension "D" does not include mold flash, protrusions or gate burrs. Mold flash, protrusion and gate burrs shall not exceed 0.20mm (0.0078 inch) per side.
4. Dimension "E" does not include interlead flash or protrusions. Interlead flash and protrusions shall not exceed 0.20mm (0.0078 inch) per side.
5. The chamfer on the body is optional. If it is not present, a visual index feature must be located within the crosshatched area.
6. "L" is the length of terminal for soldering to a substrate.
7. "N" is the number of terminal positions.
8. Terminal numbers are shown for reference only.
9. Dimension "B" does not include dambar protrusion. Allowable dambar protrusion shall be 0.13mm (0.005 inch) total in excess of "B" dimension at maximum material condition.
10. Controlling dimension: MILLIMETER. Converted inch dimensions are not necessarily exact.

## Notice

1. Descriptions of circuits, software and other related information in this document are provided only to illustrate the operation of semiconductor products and application examples. You are fully responsible for the incorporation or any other use of the circuits, software, and information in the design of your product or system. Renesas Electronics disclaims any and all liability for any losses and damages incurred by you or third parties arising from the use of these circuits, software, or information.
2. Renesas Electronics hereby expressly disclaims any warranties against and liability for infringement or any other claims involving patents, copyrights, or other intellectual property rights of third parties, by or arising from the use of Renesas Electronics products or technical information described in this document, including but not limited to, the product data, drawings, charts, programs, algorithms, and application examples.
3. No license, express, implied or otherwise, is granted hereby under any patents, copyrights or other intellectual property rights of Renesas Electronics or others.
4. You shall not alter, modify, copy, or reverse engineer any Renesas Electronics product, whether in whole or in part. Renesas Electronics disclaims any and all liability for any losses or damages incurred by you or third parties arising from such alteration, modification, copying or reverse engineering.
5. Renesas Electronics products are classified according to the following two quality grades: "Standard" and "High Quality". The intended applications for each Renesas Electronics product depends on the product's quality grade, as indicated below.
  - "Standard": Computers; office equipment; communications equipment; test and measurement equipment; audio and visual equipment; home electronic appliances; machine tools; personal electronic equipment; industrial robots; etc.
  - "High Quality": Transportation equipment (automobiles, trains, ships, etc.); traffic control (traffic lights); large-scale communication equipment; key financial terminal systems; safety control equipment; etc.Unless expressly designated as a high reliability product or a product for harsh environments in a Renesas Electronics data sheet or other Renesas Electronics document, Renesas Electronics products are not intended or authorized for use in products or systems that may pose a direct threat to human life or bodily injury (artificial life support devices or systems; surgical implantations; etc.), or may cause serious property damage (space system; undersea repeaters; nuclear power control systems; aircraft control systems; key plant systems; military equipment; etc.). Renesas Electronics disclaims any and all liability for any damages or losses incurred by you or any third parties arising from the use of any Renesas Electronics product that is inconsistent with any Renesas Electronics data sheet, user's manual or other Renesas Electronics document.
6. When using Renesas Electronics products, refer to the latest product information (data sheets, user's manuals, application notes, "General Notes for Handling and Using Semiconductor Devices" in the reliability handbook, etc.), and ensure that usage conditions are within the ranges specified by Renesas Electronics with respect to maximum ratings, operating power supply voltage range, heat dissipation characteristics, installation, etc. Renesas Electronics disclaims any and all liability for any malfunctions, failure or accident arising out of the use of Renesas Electronics products outside of such specified ranges.
7. Although Renesas Electronics endeavors to improve the quality and reliability of Renesas Electronics products, semiconductor products have specific characteristics, such as the occurrence of failure at a certain rate and malfunctions under certain use conditions. Unless designated as a high reliability product or a product for harsh environments in a Renesas Electronics data sheet or other Renesas Electronics document, Renesas Electronics products are not subject to radiation resistance design. You are responsible for implementing safety measures to guard against the possibility of bodily injury, injury or damage caused by fire, and/or danger to the public in the event of a failure or malfunction of Renesas Electronics products, such as safety design for hardware and software, including but not limited to redundancy, fire control and malfunction prevention, appropriate treatment for aging degradation or any other appropriate measures. Because the evaluation of microcomputer software alone is very difficult and impractical, you are responsible for evaluating the safety of the final products or systems manufactured by you.
8. Please contact a Renesas Electronics sales office for details as to environmental matters such as the environmental compatibility of each Renesas Electronics product. You are responsible for carefully and sufficiently investigating applicable laws and regulations that regulate the inclusion or use of controlled substances, including without limitation, the EU RoHS Directive, and using Renesas Electronics products in compliance with all these applicable laws and regulations. Renesas Electronics disclaims any and all liability for damages or losses occurring as a result of your noncompliance with applicable laws and regulations.
9. Renesas Electronics products and technologies shall not be used for or incorporated into any products or systems whose manufacture, use, or sale is prohibited under any applicable domestic or foreign laws or regulations. You shall comply with any applicable export control laws and regulations promulgated and administered by the governments of any countries asserting jurisdiction over the parties or transactions.
10. It is the responsibility of the buyer or distributor of Renesas Electronics products, or any other party who distributes, disposes of, or otherwise sells or transfers the product to a third party, to notify such third party in advance of the contents and conditions set forth in this document.
11. This document shall not be reprinted, reproduced or duplicated in any form, in whole or in part, without prior written consent of Renesas Electronics.
12. Please contact a Renesas Electronics sales office if you have any questions regarding the information contained in this document or Renesas Electronics products.

(Note1) "Renesas Electronics" as used in this document means Renesas Electronics Corporation and also includes its directly or indirectly controlled subsidiaries.

(Note2) "Renesas Electronics product(s)" means any product developed or manufactured by or for Renesas Electronics.

(Rev.4.0-1 November 2017)

## Corporate Headquarters

TOYOSU FORESIA, 3-2-24 Toyosu,  
Koto-ku, Tokyo 135-0061, Japan  
[www.renesas.com](http://www.renesas.com)

## Contact Information

For further information on a product, technology, the most up-to-date version of a document, or your nearest sales office, please visit:  
[www.renesas.com/contact/](http://www.renesas.com/contact/)

## Trademarks

Renesas and the Renesas logo are trademarks of Renesas Electronics Corporation. All trademarks and registered trademarks are the property of their respective owners.