

RX671 Group

RX671 Capacitive Touch Evaluation System Sample Code

Introduction

This document describes the sample code for the RX671 Capacitive Touch Evaluation System.

Target Device

RX671 (R5F5671EHDFP)

Contents

1. Overview	2
1.1 Function	2
2. Environment for Confirming Operation.....	2
3. Software specification	4
3.1 Software structure diagram	4
3.2 File structure.....	5
3.3 Constants	6
3.4 Enumerations	7
3.5 Variables.....	7
3.6 Functions	7
3.7 List of Peripheral Functions Used and Pins Used.....	8
3.8 Processing Flowchart	10
4. Capacitive Touch Setting.....	11
4.1 Touch Interface Configuration	11
4.2 Configuration (methods) Settings.....	11
4.3 Tuning Results.....	12
4.4 Sensitivity adjustment.....	13
5. Support.....	14
Revision History.....	15

1. Overview

This sample code is software that operates with capacitive touch in the RX671 Capacitive Touch Evaluation system.

The following is added to the project created by e² studio.

- Components generated by the smart configurator
- Capacitive touch configuration files and applications tuning with QE for Capacitive Touch (QE)
- LED control application

1.1 Function

The functions are shown below.

1. Capacitive touch function operates all electrodes (3 buttons, slider, wheel) of Capacitive Touch Evaluation Application Board.
2. Press the capacitive touch buttons, slider and wheel to control the LEDs on Capacitive Touch Evaluation Application Board.
3. Enables USB serial interface to control serial communication and supports QE serial monitor and serial tuning. For more information on serial monitoring and serial tuning, refer to QE Help and "7. [Additional function] Serial communication monitor setting using UART" in [Using QE and FIT to Develop Capacitive Touch Applications](#).
4. LED control is performed in conjunction with the push button on CPU board. Pressing SW2, LED 2 lights up. Pressing SW3, LED3 lights up.

2. Environment for Confirming Operation

The operation of this sample code has been confirmed the following environment.

Table 2-1 Operating Environment

Item	Description
MCU	RX671 (R5F5671EHDFP)
Operating frequency	120MHz (HOCO 20MHz * PLL Circuit (Divide by 1/2 * Multiply by 12))
Operating voltage	3.3V (The supply voltage to the CPU board is 5.0V)
Evaluation board	RX671 Capacitive Touch Evaluation System (Product No : RTK0EG0044S01001BJ) <ul style="list-style-type: none"> • RX671 CPU Board (Product No : RTK0EG0043C01001BJ) • Capacitive Touch Evaluation Application Board <ul style="list-style-type: none"> — Self-Capacitance Buttons / Wheel / Slider Board (Product No : RTK0EG0019B01002BJ)
Integrated development environment	e ² studio Version 2022-10 (22.10.0)
C Compiler	CC-RX V3.04.00
Development Assistance Tool for Capacitive Touch Sensors	QE for Capacitive Touch V3.1.0
Emulator	Renesas E2 Emulator Lite

Figure 2-1 shows device connection diagram

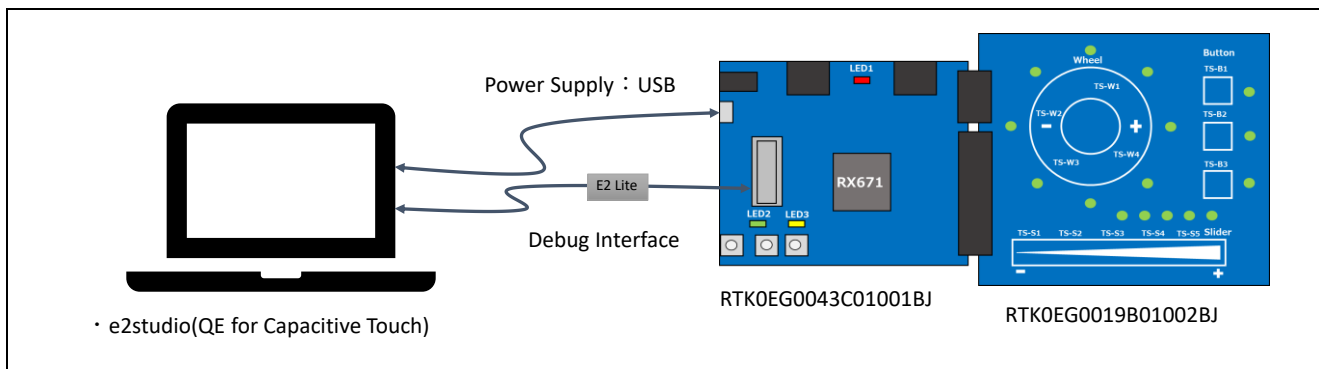


Figure 2-1 Device Connection Diagram

3. Software specification

3.1 Software structure diagram

Figure 3-1 shows the software structure diagram of this sample code.

This software uses components generated by the smart configurator.

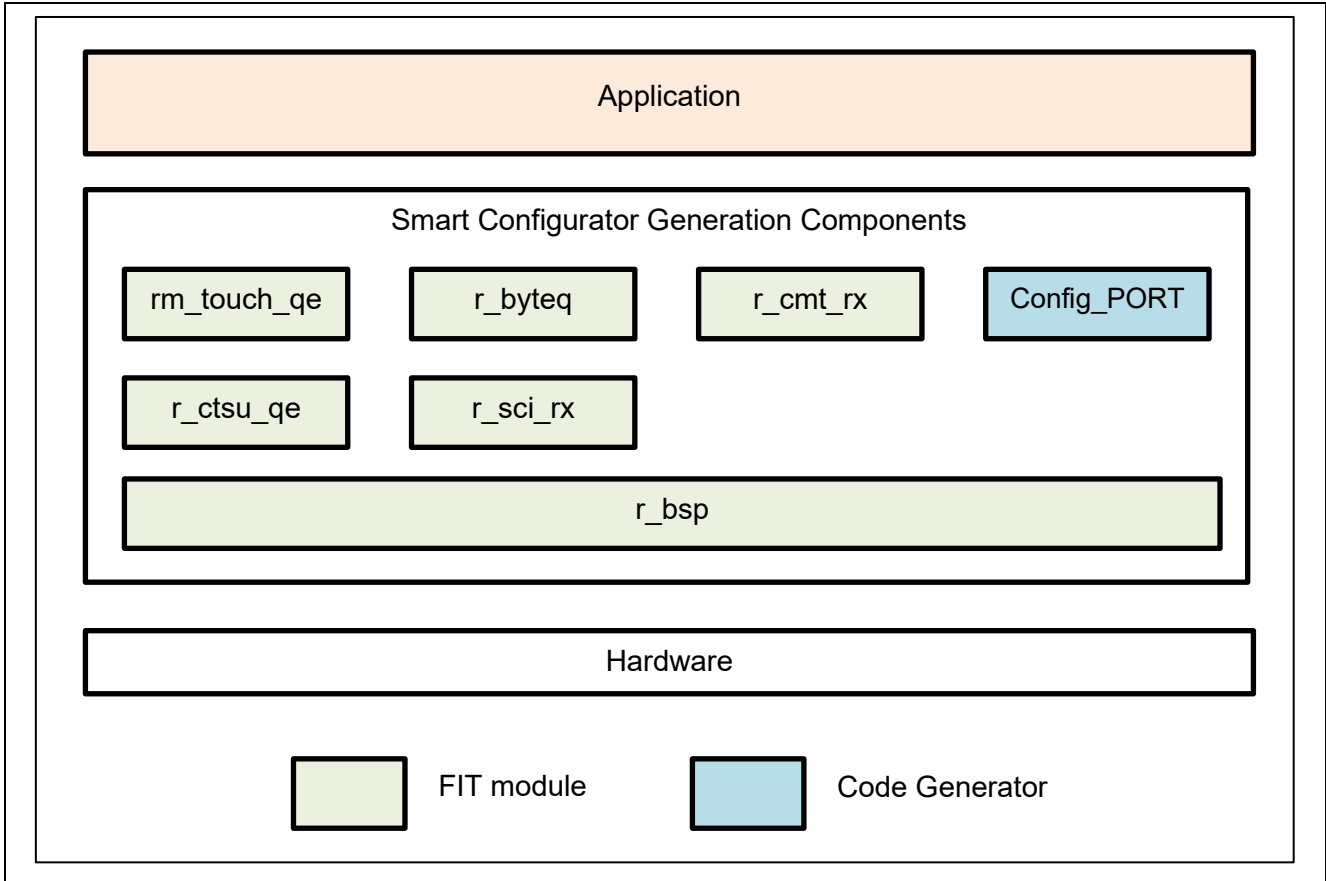


Figure 3-1 Software structure diagram

Table 3-1 shows a list of components and versions. Refer to the smart configurator for component settings.

Table 3-1 Components and versions list

Component	Version	Configuration
Board Support Packages. (r_bsp)	7.20	r_bsp(used)
Byte-based circular buffer library. (r_...	2.00	r_byteq(used)
CMT driver (r_cmt_rx)	5.20	r_cmt_rx(used)
CTSU QE API (r_cts_u_qe)	2.10	r_cts_u_qe(used)
DTC driver (r_dtc_rx)	4.10	r_dtc_rx(used)
Ports	2.4.0	Config_PORT(PORT: used)
SCI Driver (r_sci_rx)	4.40	r_sci_rx(used)
Touch QE API (rm_touch_qe)	2.10	rm_touch_qe(used)

3.2 File structure

This is the file structure of this sample code. The project configuration file and smart configurator generation file of the development environment are omitted.

Rx671_rssk_sample

```

|
├──QE-Touch
|   qe_tuning20221129173925.log    . . . QE Tuning log
|   rx671_rssk_sample.tifcfg      . . . Touch interface configuration file
|
├──qe_gen
|   qe_touch_config.c            . . . Touch configuration source
|   qe_touch_config.h            . . . Touch configuration header
|   qe_touch_define.h            . . . Touch define header
|   qe_touch_sample.c            . . . Touch sample application
|
├──src
|   rx671_rssk_sample.c          . . . Main file
|   r_rssk_switch_led.c          . . . Switch & LED function source
|   r_rssk_switch_led.h          . . . Switch & LED function header
|   r_rssk_touch_led.c          . . . Touch electrode LED function source
|   r_rssk_touch_led.h          . . . Touch electrode LED function header
|
├──smc_gen
|   ├──Config_PORT                . . . PORT Driver folder
|   ├──general                    . . . general setting folde
|   ├──rm_touch_qe                . . . TOUCH FIT folder
|   ├──r_bsp                      . . . BSP folder
|   ├──r_byteq                    . . . BYTEQ FIT folder
|   ├──r_cmt_rx                   . . . CMT FIT folder
|   ├──r_config                   . . . FIT configuration folder
|   ├──r_ctsu_qe                  . . . CTSU FIT folder
|   ├──r_pincfg                   . . . PIN configuration folder
|   └──r_sci_rx                    . . . SCI FIT folder

```

3.3 Constants

Table 3-2 lists the constants.

Table 3-2 List of Constant

Constant Name	Value	Description
File Name : qe_touch_sample.c		
TOUCH_SCAN_INTERVAL_EXAMPLE	(20)	Software delay value [unit : msec]
File Name : r_rssk_switch_led.c		
RSSK_SW2_PORT	(PORTJ.PIDR.BIT.B3)	Pointer to port control register connected to SW2
RSSK_SW3_PORT	(PORT3.PIDR.BIT.B2)	Pointer to port control register connected to SW3
RSSK_LED2_PORT	(PORT0.PODR.BIT.B7)	Pointer to port control register connected to LED2
RSSK_LED3_PORT	(PORT0.PODR.BIT.B5)	Pointer to port control register connected to LED3
SW_EDGE_RIZE	(0x07U)	Switch rising judgment
SW_EDGE_FALL	(0x08U)	Switch falling judgment
SW_EDGE_BIT_MASK	(0x0FU)	Switch state judgement mask
RSSK_LED_ON	(0x01U)	Turn on the LED
RSSK_LED_OFF	(0x00U)	Turn off the LED
File Name : r_rssk_touch_led.c		
LED_COL0	(PORTE.PODR.BIT.B4)	Pointer to port control register connected to COL0
LED_COL1	(PORTE.PODR.BIT.B3)	Pointer to port control register connected to COL1
LED_COL2	(PORTE.PODR.BIT.B0)	Pointer to port control register connected to COL2
LED_COL3	(PORTA.PODR.BIT.B7)	Pointer to port control register connected to COL3
LED_ROW0	(PORT4.PODR.BIT.B6)	Pointer to port control register connected to ROW0
LED_ROW1	(PORT4.PODR.BIT.B7)	Pointer to port control register connected to ROW1
LED_ROW2	(PORT4.PODR.BIT.B4)	Pointer to port control register connected to ROW2
LED_ROW3	(PORT4.PODR.BIT.B5)	Pointer to port control register connected to ROW3
LED_COL_MAX	(4)	Number of COL signals
LED_COL_ON	(0x01U)	COL signal ON
LED_COL_OFF	(0x00U)	COL signal OFF
LED_ROW_OFF	(0x01U)	ROW signal OFF
SLIDER_LED_NUM	(5U)	Number of slider LED
SLIDER_RESOLUTION	(100U)	Maximum slider touch result
WHEEL_LED_NUM	(8U)	Number of wheel LED
WHEEL_LED_MSB	(1U << (WHEEL_LED_NUM - 1))	Wheel LED control bit MSB
WHEEL_RESOLUTION_DEGREE	(360U)	Maximum wheel touch result
WHEEL_POSITION_OFFSET_DEGREE	(112)	Wheel touch position offset [unit : degree]
ALL_LED_NUM	(16U)	Total number of touch electrode board LEDs
LED_TEST_INTERVAL	(100U)	LED lighting interval time

3.4 Enumerations

Table 3-3 lists the rssk_sw_status_t enum

Table 3-3 rssk_sw_status_t

Member	Value	Description
RSSK_SW_OFF	0x00	Switch OFF state
RSSK_SW_ON	0x01	Switch ON state

3.5 Variables

Table 3-4 lists the global variables

Table 3-4 List of Global Variable

Variable Name	Types	Description
File Name : qe_touch_sample.c		
gs_cmt_ch	uint32_t	Use channel of CMT
File Name : r_rssk_switch_led.c		
rssk_get_sw2_status	uint8_t	State of switch SW2
rssk_get_sw3_status	uint8_t	State of switch SW3
File Name : r_rssk_touch_led.c		
g_led_drive_colmun	uint8_t	Touch electrode board LED drive information
g_button_idx[]	uint8_t	Button index array

3.6 Functions

Table 3-5 lists the functions

Table 3-5 List of Function

Function Name	Description
qe_touch_sample.c	
qe_touch_main	Main function
r_rssk_initialize	Initialization processing of Capacitive Touch Evaluation System
r_rssk_led_test	LED test processing for Capacitive Touch Evaluation System
r_rssk_timer_callback	CMT interrupt callback
r_rssk_switch_led.c	
r_rssk_switch_led_init	CPU board LED initialization processing
r_rssk_switch_led_control	CPU board LED control processing
r_rssk_led2_on	CPU board LED2 lights up
r_rssk_led2_off	CPU board LED2 lights off
r_rssk_led3_on	CPU board LED3 lights up
r_rssk_led3_off	CPU board LED3 lights off
r_rssk_touch_led.c	
r_rssk_touch_led_test	Touch electrode board LED test processing
r_rssk_touch_led_control	Touch electrode board LED control processing

3.7 List of Peripheral Functions Used and Pins Used

Table 3-6 shows a list of peripheral functions used, Table 3-7 shows a list of used pins, and Table 3-8 shows a list of handling of unused pins in this sample software.

Table 3-6 List of Peripheral Functions Used

Peripheral Function	Usage
CTSU, DTC	CTSU measurement
SCI12	QE serial monitoring
CMT	LED control trigger
PORT	LED control

Table 3-7 List of used pins

Pin No.	Pin Name	I/O	Usage
16	TS00	I/O	CTSU measurement
17	TS01	I/O	
21	TS02	I/O	
22	TS03	I/O	
23	TS04	I/O	
24	P24 [Note]	O	
25	P23 [Note]	O	
26	TS07	I/O	
27	TS08	I/O	
28	TS09	I/O	
41	P53 [Note]	O	
46	TS13	I/O	
47	TS14	I/O	
48	TSCAP	-	
51	TS15	I/O	
52	TS16	I/O	
38	TSCAP	I	
76	PE2/RXD12	I	QE serial monitoring
77	PE1/TXD12	O	
4	PJ3	I	LED control
18	P32	I	
63	PA7	O	
74	PE4	O	
75	PE3	O	
78	PE0	O	
87	P47	O	
88	P46	O	
89	P45	O	
90	P44	O	
98	P07	O	
100	P05	O	

Note : Low level fixed for shielded electrode

Table 3-8 List of Handling of Unused Pins

Pin No.	Pin Name	I/O	Handling
1	AVCC1	O	Connect the pin to GND via a capacitor (0.1uF).
2	EMLE	I	Connect the pin to GND via a register (4.7Kohm).
3	AVSS1	I	Connect the pin to GND.
5	VCL	I	Connect the pin to GND via a capacitor (4.7uF).
6	VBATT	I	Connect the pin to VCC.
7	MD/FINED	I/O	Connect the pin to VCC or GND via a register (4.7Kohm).
8	XCIN	-	Open
9	XCOUT	-	Open
10	RES#	I	Connect the pin to reset circuit
14	NMI	I	Connect the pin to VCC via a register (10Kohm).
45	UB	I	Connect the pin to GND via a register (4.7Kohm).
94	VREFL0	I	Connect the pin to GND.
96	VREFH0	I	Connect the pin to GND via a capacitor (0.1uF).
97	AVCC0	I	Connect the pin to GND via a capacitor (0.1uF).
98	AVSS0	I	Connect the pin to GND.
Pins than the above		-	Low output

The peripheral function settings using Smart Configurator are shown below.

- CTSU, DTC (CTSU measurement)

CTSU is used for touch measurement. DTC is used to acquire CTSU register settings and measurement results.

Table 3-9 and Table 3-10 shows the settings of each peripheral function.

Table 3-9 CTSU Setting

Item	Setting
Data transfer by interrupt	DTC

Table 3-10 DTC Setting

Item	Setting
DTCER control	Clear all DTCER registers with open function
Address mode	Full-address mode
DTC transfer read skip enable	Enabled
Sequence transfer	Disabled

- SCI12

Use SCI12 for serial monitoring of QE for Capacitive Touch. Table 3-11 shows the SCI12 settings.

Table 3-11 SCI12 Setting

Item	Setting
Mode	ASYNCR mode
Channel	Channel 12
Transmit end interrupt	Enable

3.8 Processing Flowchart

Figure 3-2 shows processing flowchart of this sample code.

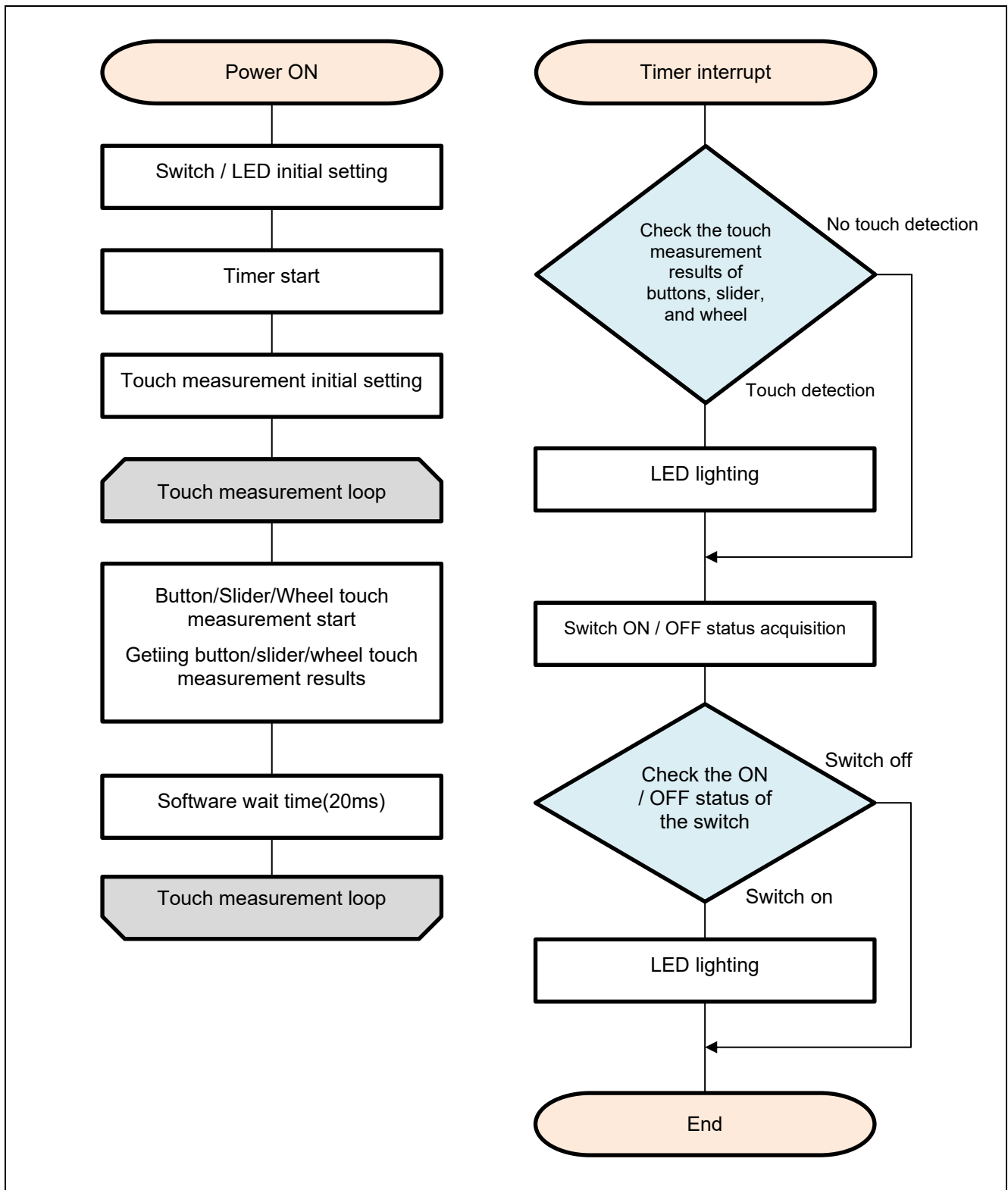


Figure 3-2 Processing Flowchart (Self-Capacitance Buttons / Wheel / Slider Board)

4. Capacitive Touch Setting

These are the touch interface configuration, configuration (method) settings and tuning results of this sample code. These use the tuning function of QE.

4.1 Touch Interface Configuration

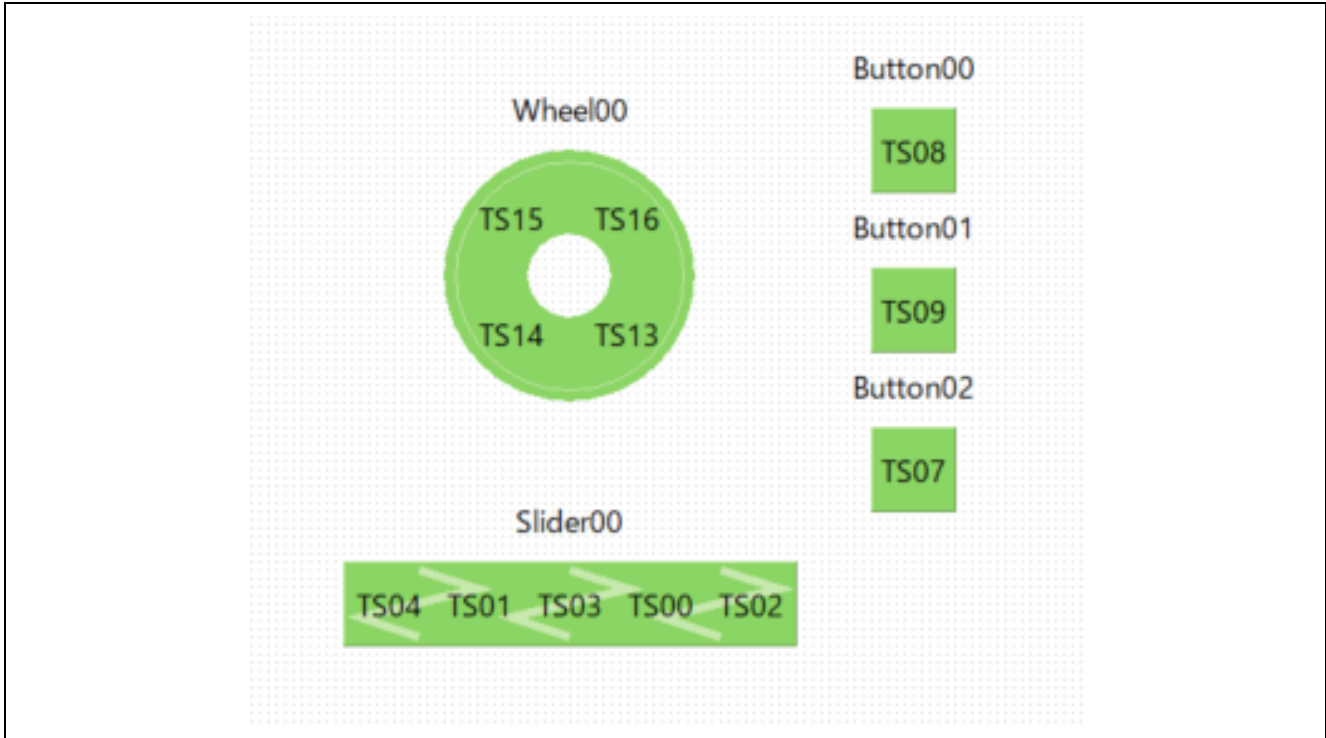


Figure 4-1 Touch interface configuration (Self-Capacitance Buttons / Wheel / Slider Board)

4.2 Configuration (methods) Settings

config01 sets 3 buttons, Wheel and Slider.

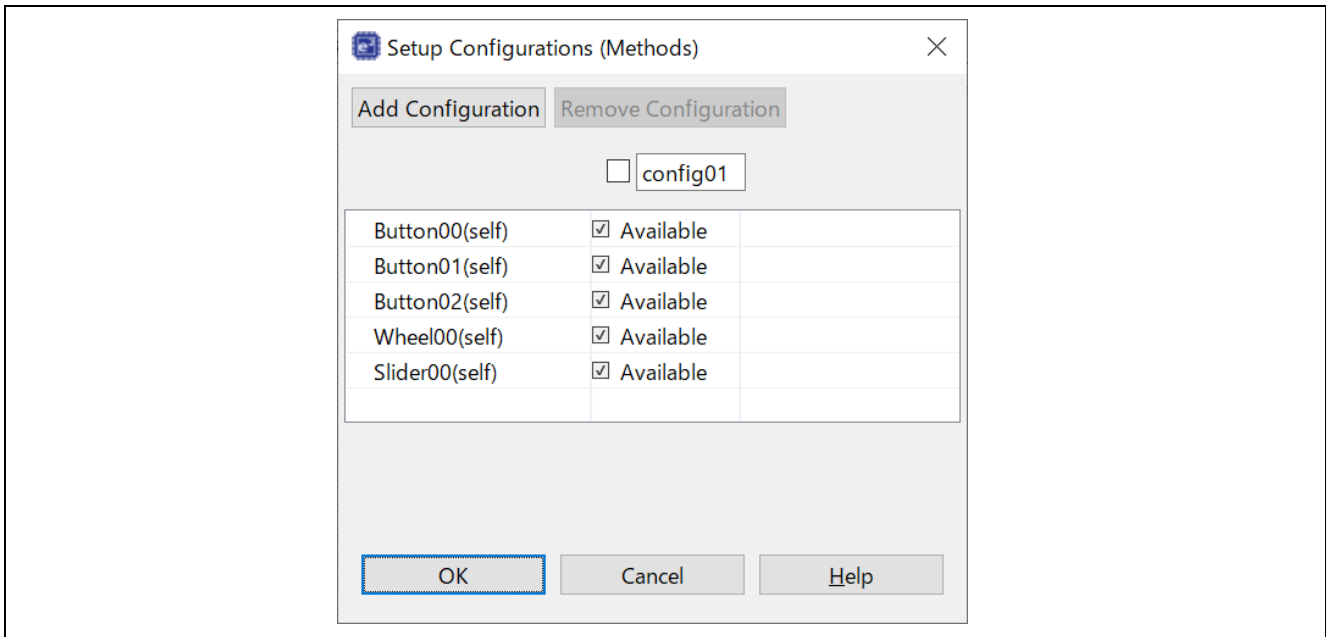


Figure 4-2 Configuration (methods) setting

4.3 Tuning Results

Table 4-1 shows tuning results in QE tuning. Sample code operates with the setting values shown in the QE tuning result list.

Since the values in QE tuning result list depend on the operating environment at QE tuning, these values may change at QE tuning again.

Table 4-1 QE tuning result list (Self-Capacitance Buttons / Wheel / Slider Board)

methods	Button name	Touch sensor	Parasitic capacitance [pF]	Drive pulse frequency [MHz]	Threshold	Scan time [ms]	so	snum	sdpa
config01	Button00	TS08	25.046	0.943 (BASE:1.0)	501	0.526	0x057	0x01	0x0E
config01	Button01	TS09	23.281	0.943 (BASE:1.0)	529	0.526	0x04B	0x01	0x0E
config01	Button02	TS07	19.327	1.768(BASE:1.875)	1026	0.561	0x0A2	0x03	0x07
config01	Slider00	TS00	20.454	1.768(BASE:1.875)	659	0.561	0x0B1	0x03	0x07
config01	Slider00	TS01	19.506	1.768(BASE:1.875)	659	0.561	0x0A5	0x03	0x07
config01	Slider00	TS02	21.834	1.768(BASE:1.875)	659	0.561	0x0C2	0x03	0x07
config01	Slider00	TS03	19.223	1.768(BASE:1.875)	659	0.561	0x0A1	0x03	0x07
config01	Slider00	TS04	16.477	1.768(BASE:1.875)	659	0.561	0x07A	0x03	0x07
config01	Wheel00	TS13	24.047	0.943(BASE:1.0)	562	0.526	0x050	0x01	0x0E
config01	Wheel00	TS14	22.58	0.943(BASE:1.0)	562	0.526	0x045	0x01	0x0E
config01	Wheel00	TS15	24.732	0.943(BASE:1.0)	562	0.526	0x055	0x01	0x0E
config01	Wheel00	TS16	26.658	0.943(BASE:1.0)	562	0.526	0x064	0x01	0x0E

so : Variables for sensor offset settings

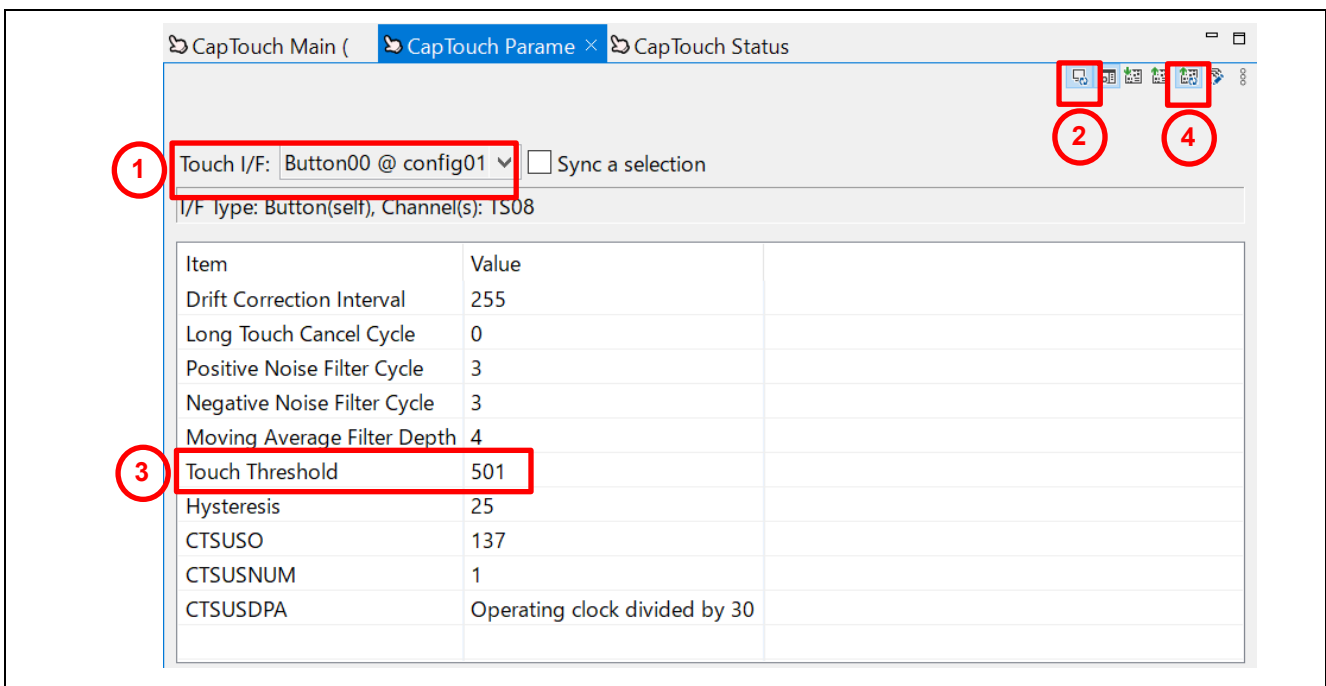
snum : Variables for setting the measurement period

sdpa : Clock division setting variable

4.4 Sensitivity adjustment

Button sensitivity adjustment uses QE for Capacitive Touch. The sensitivity adjustment method is as follows.

- The method using monitoring function of QE for Capacitive Touch
 - Follow the tutorial from the QE for Capacitive Touch main window (Cap Touch Main).
- Real-time change method using monitoring function of QE for Capacitive Touch
 - Display the Cap Touch parameter list of QE for Capacitive Touch and adjust it by the following steps.
 1. Select the touch I/F corresponding to the button you want to adjust.
 2. Click [Enable Monitoring] icon to start monitoring.
 3. When the item is displayed, change the value of [Touch Threshold].
 4. Click [Enable Auto Writing] to change the touch threshold.
 5. Repeat steps 3 to 4 to adjust the sensitivity.



- How to change the code manually
 - It can be adjusted by changing the member variable of the structure variable "g_qe_touch_button_cfg_config01" in qe_touch_config.c.
 - The variables to change are:
 - threshold : Touch detection threshold

5. Support

For information on capacitive touch, download tools and documentation, and technical support, please visit the website below

RX671 Capacitive Touch Evaluation System renesas.com/rssk-touch-rx671

RX Family Using QE and FIT to Develop Capacitive Touch Applications

renesas.com/document/apn/rx-family-using-qe-and-fit-develop-capacitive-touch-applications?language=en

QE for Capacitive Touch renesas.com/qe-capacitive-touch

Renesas support renesas.com/support

Revision History

Rev.	Date	Description	
		Page	Summary
1.0	16.Dec.2022	-	First edition issued

General Precautions in the Handling of Microprocessing Unit and Microcontroller Unit Products

The following usage notes are applicable to all Microprocessing unit and Microcontroller unit products from Renesas. For detailed usage notes on the products covered by this document, refer to the relevant sections of the document as well as any technical updates that have been issued for the products.

1. Precaution against Electrostatic Discharge (ESD)

A strong electrical field, when exposed to a CMOS device, can cause destruction of the gate oxide and ultimately degrade the device operation. Steps must be taken to stop the generation of static electricity as much as possible, and quickly dissipate it when it occurs. Environmental control must be adequate. When it is dry, a humidifier should be used. This is recommended to avoid using insulators that can easily build up static electricity.

Semiconductor devices must be stored and transported in an anti-static container, static shielding bag or conductive material. All test and measurement tools including work benches and floors must be grounded. The operator must also be grounded using a wrist strap. Semiconductor devices must not be touched with bare hands. Similar precautions must be taken for printed circuit boards with mounted semiconductor devices.

2. Processing at power-on

The state of the product is undefined at the time when power is supplied. The states of internal circuits in the LSI are indeterminate and the states of register settings and pins are undefined at the time when power is supplied. In a finished product where the reset signal is applied to the external reset pin, the states of pins are not guaranteed from the time when power is supplied until the reset process is completed. In a similar way, the states of pins in a product that is reset by an on-chip power-on reset function are not guaranteed from the time when power is supplied until the power reaches the level at which resetting is specified.

3. Input of signal during power-off state

Do not input signals or an I/O pull-up power supply while the device is powered off. The current injection that results from input of such a signal or I/O pull-up power supply may cause malfunction and the abnormal current that passes in the device at this time may cause degradation of internal elements. Follow the guideline for input signal during power-off state as described in your product documentation.

4. Handling of unused pins

Handle unused pins in accordance with the directions given under handling of unused pins in the manual. The input pins of CMOS products are generally in the high-impedance state. In operation with an unused pin in the open-circuit state, extra electromagnetic noise is induced in the vicinity of the LSI, an associated shoot-through current flows internally, and malfunctions occur due to the false recognition of the pin state as an input signal become possible.

5. Clock signals

After applying a reset, only release the reset line after the operating clock signal becomes stable. When switching the clock signal during program execution, wait until the target clock signal is stabilized. When the clock signal is generated with an external resonator or from an external oscillator during a reset, ensure that the reset line is only released after full stabilization of the clock signal. Additionally, when switching to a clock signal produced with an external resonator or by an external oscillator while program execution is in progress, wait until the target clock signal is stable.

6. Voltage application waveform at input pin

Waveform distortion due to input noise or a reflected wave may cause malfunction. If the input of the CMOS device stays in the area between V_{IL} (Max.) and V_{IH} (Min.) due to noise, for example, the device may malfunction. Take care to prevent chattering noise from entering the device when the input level is fixed, and also in the transition period when the input level passes through the area between V_{IL} (Max.) and V_{IH} (Min.).

7. Prohibition of access to reserved addresses

Access to reserved addresses is prohibited. The reserved addresses are provided for possible future expansion of functions. Do not access these addresses as the correct operation of the LSI is not guaranteed.

8. Differences between products

Before changing from one product to another, for example to a product with a different part number, confirm that the change will not lead to problems. The characteristics of a microprocessing unit or microcontroller unit products in the same group but having a different part number might differ in terms of internal memory capacity, layout pattern, and other factors, which can affect the ranges of electrical characteristics, such as characteristic values, operating margins, immunity to noise, and amount of radiated noise. When changing to a product with a different part number, implement a system-evaluation test for the given product.

Notice

1. Descriptions of circuits, software and other related information in this document are provided only to illustrate the operation of semiconductor products and application examples. You are fully responsible for the incorporation or any other use of the circuits, software, and information in the design of your product or system. Renesas Electronics disclaims any and all liability for any losses and damages incurred by you or third parties arising from the use of these circuits, software, or information.
2. Renesas Electronics hereby expressly disclaims any warranties against and liability for infringement or any other claims involving patents, copyrights, or other intellectual property rights of third parties, by or arising from the use of Renesas Electronics products or technical information described in this document, including but not limited to, the product data, drawings, charts, programs, algorithms, and application examples.
3. No license, express, implied or otherwise, is granted hereby under any patents, copyrights or other intellectual property rights of Renesas Electronics or others.
4. You shall be responsible for determining what licenses are required from any third parties, and obtaining such licenses for the lawful import, export, manufacture, sales, utilization, distribution or other disposal of any products incorporating Renesas Electronics products, if required.
5. You shall not alter, modify, copy, or reverse engineer any Renesas Electronics product, whether in whole or in part. Renesas Electronics disclaims any and all liability for any losses or damages incurred by you or third parties arising from such alteration, modification, copying or reverse engineering.
6. Renesas Electronics products are classified according to the following two quality grades: "Standard" and "High Quality". The intended applications for each Renesas Electronics product depends on the product's quality grade, as indicated below.
 - "Standard": Computers; office equipment; communications equipment; test and measurement equipment; audio and visual equipment; home electronic appliances; machine tools; personal electronic equipment; industrial robots; etc.
 - "High Quality": Transportation equipment (automobiles, trains, ships, etc.); traffic control (traffic lights); large-scale communication equipment; key financial terminal systems; safety control equipment; etc.

Unless expressly designated as a high reliability product or a product for harsh environments in a Renesas Electronics data sheet or other Renesas Electronics document, Renesas Electronics products are not intended or authorized for use in products or systems that may pose a direct threat to human life or bodily injury (artificial life support devices or systems; surgical implantations; etc.), or may cause serious property damage (space system; undersea repeaters; nuclear power control systems; aircraft control systems; key plant systems; military equipment; etc.). Renesas Electronics disclaims any and all liability for any damages or losses incurred by you or any third parties arising from the use of any Renesas Electronics product that is inconsistent with any Renesas Electronics data sheet, user's manual or other Renesas Electronics document.
7. No semiconductor product is absolutely secure. Notwithstanding any security measures or features that may be implemented in Renesas Electronics hardware or software products, Renesas Electronics shall have absolutely no liability arising out of any vulnerability or security breach, including but not limited to any unauthorized access to or use of a Renesas Electronics product or a system that uses a Renesas Electronics product. RENESAS ELECTRONICS DOES NOT WARRANT OR GUARANTEE THAT RENESAS ELECTRONICS PRODUCTS, OR ANY SYSTEMS CREATED USING RENESAS ELECTRONICS PRODUCTS WILL BE INVULNERABLE OR FREE FROM CORRUPTION, ATTACK, VIRUSES, INTERFERENCE, HACKING, DATA LOSS OR THEFT, OR OTHER SECURITY INTRUSION ("Vulnerability Issues"). RENESAS ELECTRONICS DISCLAIMS ANY AND ALL RESPONSIBILITY OR LIABILITY ARISING FROM OR RELATED TO ANY VULNERABILITY ISSUES. FURTHERMORE, TO THE EXTENT PERMITTED BY APPLICABLE LAW, RENESAS ELECTRONICS DISCLAIMS ANY AND ALL WARRANTIES, EXPRESS OR IMPLIED, WITH RESPECT TO THIS DOCUMENT AND ANY RELATED OR ACCOMPANYING SOFTWARE OR HARDWARE, INCLUDING BUT NOT LIMITED TO THE IMPLIED WARRANTIES OF MERCHANTABILITY, OR FITNESS FOR A PARTICULAR PURPOSE.
8. When using Renesas Electronics products, refer to the latest product information (data sheets, user's manuals, application notes, "General Notes for Handling and Using Semiconductor Devices" in the reliability handbook, etc.), and ensure that usage conditions are within the ranges specified by Renesas Electronics with respect to maximum ratings, operating power supply voltage range, heat dissipation characteristics, installation, etc. Renesas Electronics disclaims any and all liability for any malfunctions, failure or accident arising out of the use of Renesas Electronics products outside of such specified ranges.
9. Although Renesas Electronics endeavors to improve the quality and reliability of Renesas Electronics products, semiconductor products have specific characteristics, such as the occurrence of failure at a certain rate and malfunctions under certain use conditions. Unless designated as a high reliability product or a product for harsh environments in a Renesas Electronics data sheet or other Renesas Electronics document, Renesas Electronics products are not subject to radiation resistance design. You are responsible for implementing safety measures to guard against the possibility of bodily injury, injury or damage caused by fire, and/or danger to the public in the event of a failure or malfunction of Renesas Electronics products, such as safety design for hardware and software, including but not limited to redundancy, fire control and malfunction prevention, appropriate treatment for aging degradation or any other appropriate measures. Because the evaluation of microcomputer software alone is very difficult and impractical, you are responsible for evaluating the safety of the final products or systems manufactured by you.
10. Please contact a Renesas Electronics sales office for details as to environmental matters such as the environmental compatibility of each Renesas Electronics product. You are responsible for carefully and sufficiently investigating applicable laws and regulations that regulate the inclusion or use of controlled substances, including without limitation, the EU RoHS Directive, and using Renesas Electronics products in compliance with all these applicable laws and regulations. Renesas Electronics disclaims any and all liability for damages or losses occurring as a result of your noncompliance with applicable laws and regulations.
11. Renesas Electronics products and technologies shall not be used for or incorporated into any products or systems whose manufacture, use, or sale is prohibited under any applicable domestic or foreign laws or regulations. You shall comply with any applicable export control laws and regulations promulgated and administered by the governments of any countries asserting jurisdiction over the parties or transactions.
12. It is the responsibility of the buyer or distributor of Renesas Electronics products, or any other party who distributes, disposes of, or otherwise sells or transfers the product to a third party, to notify such third party in advance of the contents and conditions set forth in this document.
13. This document shall not be reprinted, reproduced or duplicated in any form, in whole or in part, without prior written consent of Renesas Electronics.
14. Please contact a Renesas Electronics sales office if you have any questions regarding the information contained in this document or Renesas Electronics products.

(Note1) "Renesas Electronics" as used in this document means Renesas Electronics Corporation and also includes its directly or indirectly controlled subsidiaries.

(Note2) "Renesas Electronics product(s)" means any product developed or manufactured by or for Renesas Electronics.

(Rev.5.0-1 October 2020)

Corporate Headquarters

TOYOSU FORESIA, 3-2-24 Toyosu,
Koto-ku, Tokyo 135-0061, Japan
www.renesas.com

Trademarks

Renesas and the Renesas logo are trademarks of Renesas Electronics Corporation. All trademarks and registered trademarks are the property of their respective owners.

Contact information

For further information on a product, technology, the most up-to-date version of a document, or your nearest sales office, please visit:
www.renesas.com/contact/.