

## RL78/G23

### Handshake-based SPI Slave Transmission/Reception

---

#### Introduction

This application note describes how the serial array unit (SAU) performs slave transmission/reception by the simple SPI (CSI). The slave selected by the chip select ( $\overline{CS}$ ) signal performs single transmission/reception, single transmission, or single reception according to the processing. The SAU also performs handshake processing using the BUSY signal.

#### Target Device

RL78/G23

When applying the sample program covered in this application note to another microcomputer, modify the program according to the specifications for the target microcomputer and conduct an extensive evaluation of the modified program.

---

## Contents

1. Specifications .....	3
1.1 Outline of CSI Communication .....	3
1.2 Outline of Communication .....	4
1.3 Communication Format .....	6
1.4 Handshake .....	6
1.5 Specification Details .....	7
2. Operation Confirmation Conditions .....	9
3. Related Application Notes.....	9
4. Hardware Descriptions .....	10
4.1 Example of Hardware Configuration .....	10
4.2 List of Pins to be Used .....	11
5. Description of the Software.....	12
5.1 List of Option Byte Settings .....	12
5.2 List of Constants.....	12
5.3 List of Variables .....	12
5.4 List of Functions .....	13
5.5 Function Specifications .....	13
5.6 Flowcharts .....	15
5.6.1 Flowchart of Main Processing .....	15
5.6.2 Flowchart of CSI Status Check .....	17
5.6.3 Flowchart of CSI Transmission/Reception .....	18
5.6.4 Flowchart of CSI Transmission .....	19
5.6.5 Flowchart of CSI Reception.....	20
5.6.6 Flowchart of Setting BUSY Signal High .....	21
6. Sample Code.....	22
7. Reference Documents .....	22

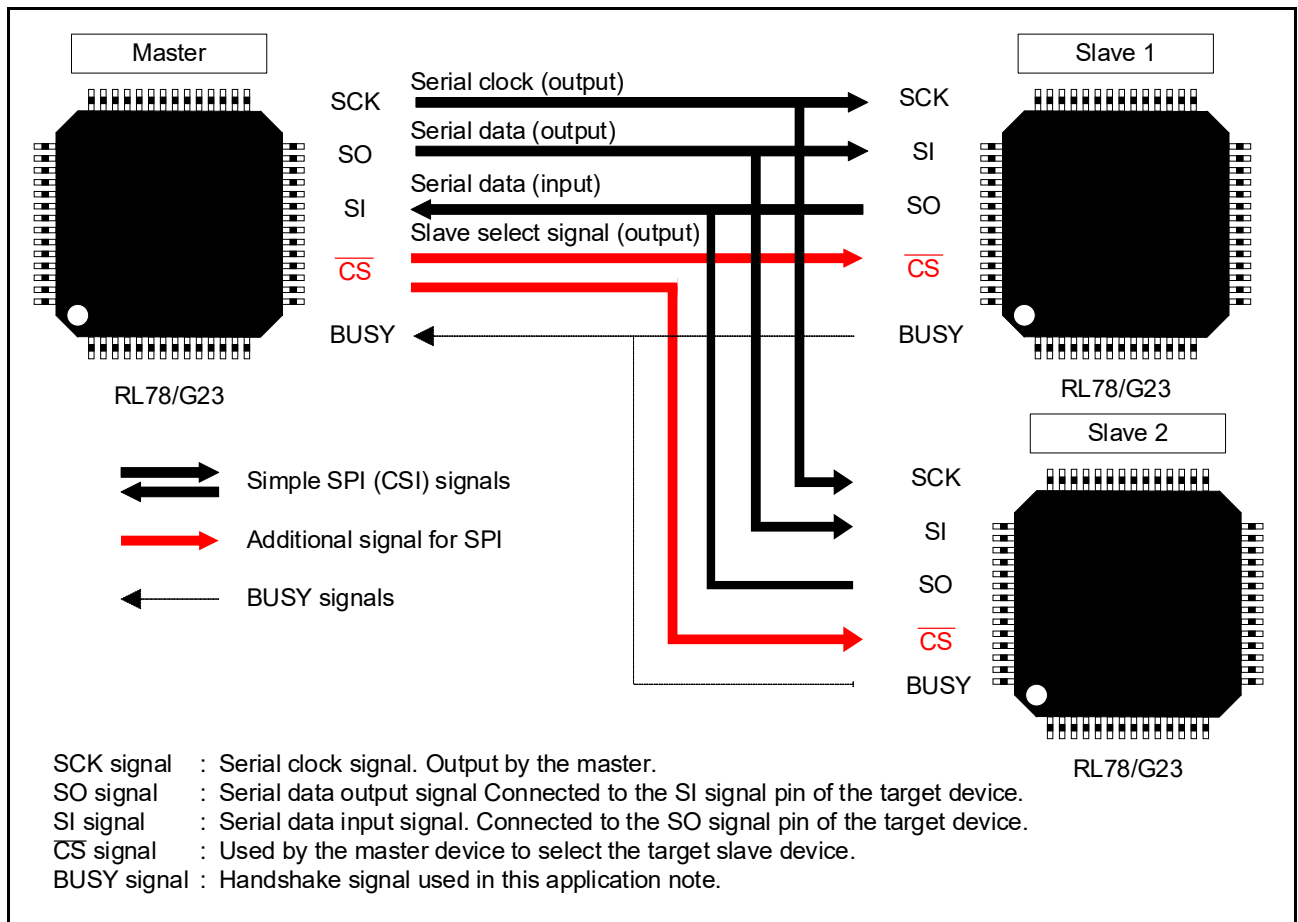
## 1. Specifications

The serial array unit (SAU) described in this application note performs CSI slave communication. A slave is selected by the chip select ( $\overline{CS}$ ) signal from the master. The SAU performs handshake processing using the BUSY signal and performs slave communication.

### 1.1 Outline of CSI Communication

CSI communication is clock-synchronous serial communication using three signal lines, namely, serial clock (SCK), serial data input (SI), and serial data output (SO). SPI (Serial Peripheral Interface) uses an additional chip select ( $\overline{CS}$ ) signal to select the slave device. The relationship among these signals is shown in Figure 1-1.

**Figure 1-1 Outline of CSI Communication**



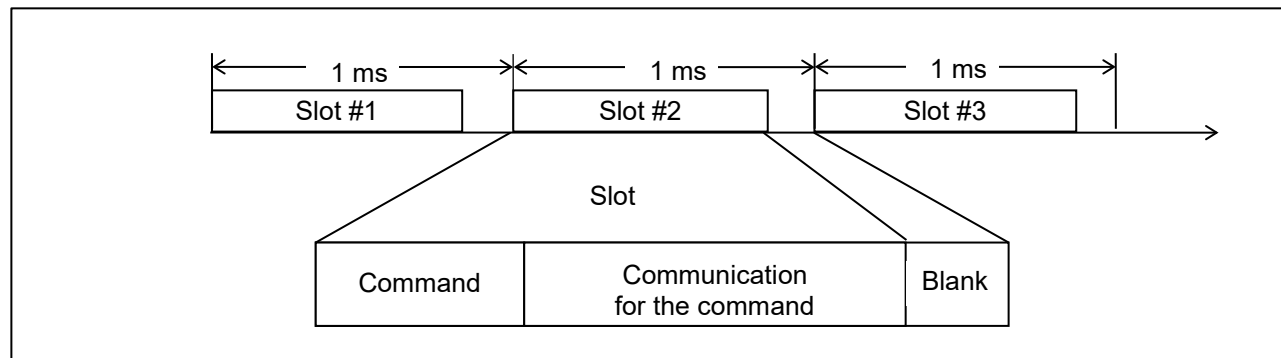
Slaves wait until they are selected by the  $\overline{CS}$  signal. When a slave is selected by the  $\overline{CS}$  signal, that slave synchronizes with the SCK signal output from the master, outputs data to the SO signal line, and inputs data from the SI signal line.

In SPI/CSI communication, the slave needs to become ready for communication by the time the master starts communication (sending the SCK signals). In this application note, the slave notifies the master that it is ready for communication by setting the BUSY signal low.

## 1.2 Outline of Communication

In this application note, a command and communication for the command are performed at intervals of 1 ms. A set of a command and communication for the command is defined as a slot. Figure 1-2 shows an outline of slot processing and Table 1-1 lists the commands to be used.

**Figure 1-2 Outline of Slots**



**Table 1-1 Commands to be Used**

Command	Outline of Operation
Status check	Checks the number of data characters that the slave can transmit or receive.
Receive	Receives data from the slave.
Transmit	Transmits data to the slave.
Transmit/receive	Transmits and receives data to and from the slave.

Table 1-2 lists the peripheral functions and their uses. Figure 1-3 and Figure 1-4 show the CSI communication operations.

**Table 1-2 Peripheral Functions and Their Uses**

Peripheral Function	Use
Serial array unit 0	Performs CSI slave communication using the SCK00 signal (clock output), SI00 signal (receive data), and SO00 signal (transmit data).
Port	Uses P00 to output the BUSY signal.
External interrupt	Uses INTP0/P137 to detect the $\overline{CS}$ signal.

Figure 1-3 Timing chart for status check commands

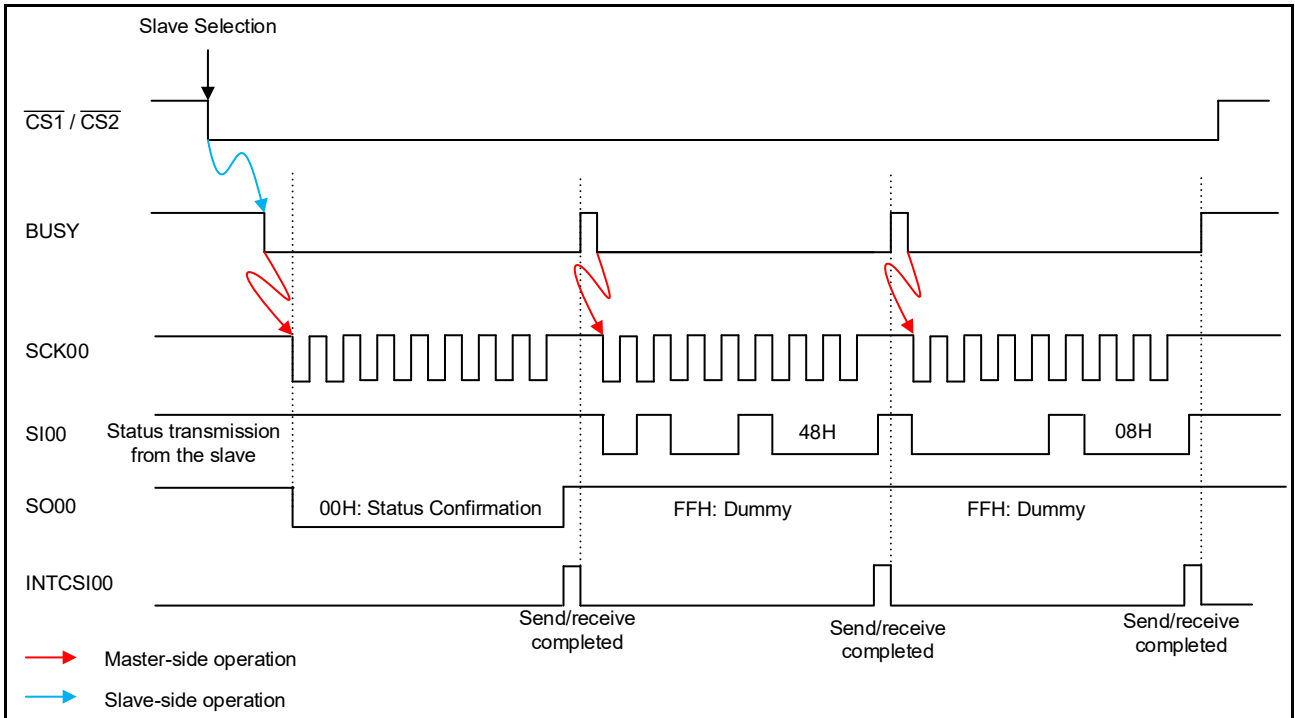
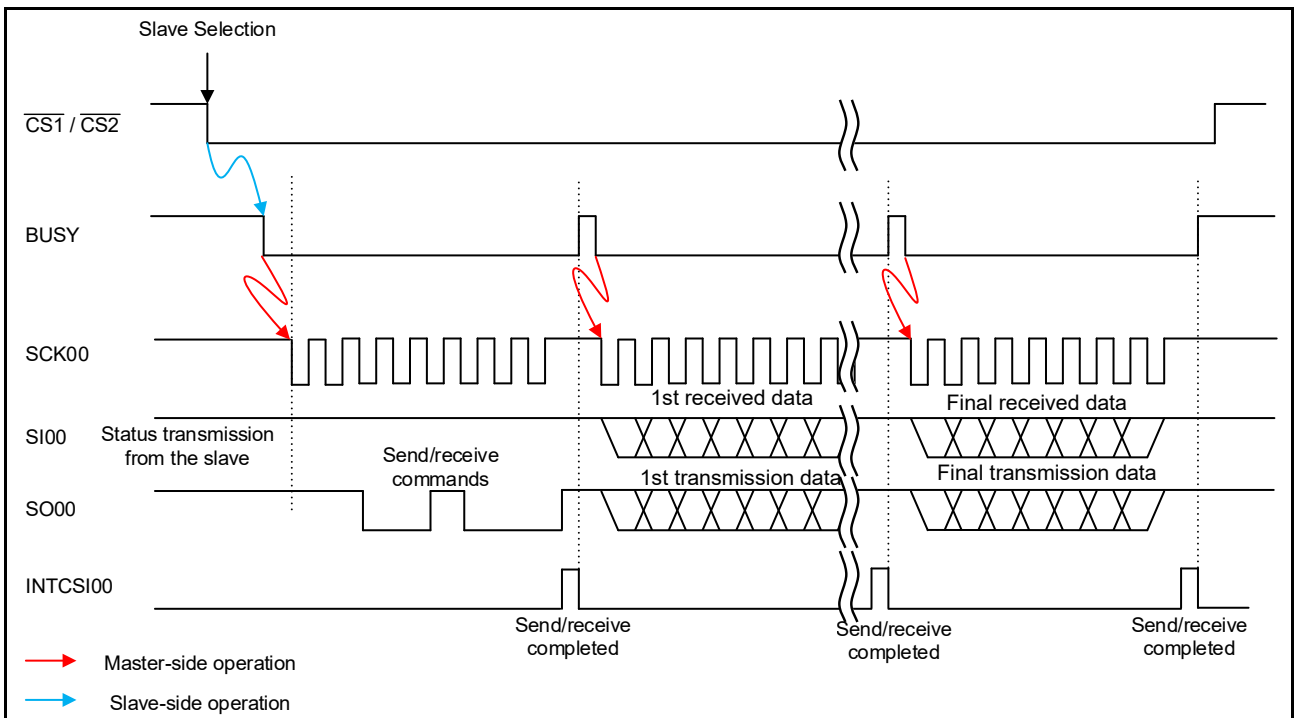


Figure 1-4 Timing chart of commands sent and received



### 1.3 Communication Format

Table 1-3 lists the characteristics of the CSI communication format that is used in the sample code.

**Table 1-3 Communication Format**

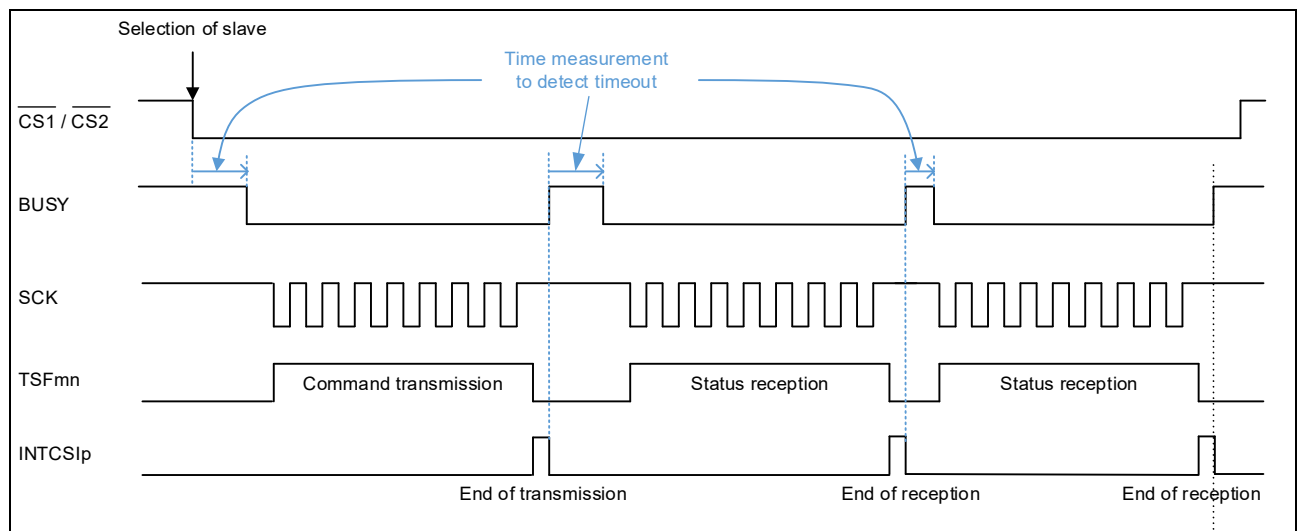
Item	Specification	Remarks
Communication speed	1 Mbps	About 200 kbps at minimum
Data bit length	8 bits/character	
Transfer order	MSB first	
Communication type	Type 1	
Communication mode	Single transfer	
Communication direction	Receive/transmit/transmit and receive	
Maximum number of characters transferred	63 characters/slot	8 characters by default

### 1.4 Handshake

Generally, SPI communication-dedicated slave devices, such as EEPROM, are always communication-ready and therefore do not require the BUSY signal. However, when using a general-purpose device, such as an MCU, to perform slave communication, processing time required by the software must be secured. In this application note, handshaking is performed using the BUSY signal so that SPI communication can be established even when the load exceeds the processing capability of a general-purpose device. Additionally, a timeout of 16  $\mu$ s is set up so that the system does not stop even when no response using the BUSY signal is returned.

Figure 1-1 shows an example of handshaking for status checking. The slave selected by the  $\overline{CS}$  signal sets the BUSY signal low after completing the preparation of slave communication. The slave sets the BUSY signal high when the command reception from the master is completed. Then, the slave sets the BUSY signal low again after completing the preparation of slave communication according to the command.

**Figure 1-1 Handshaking Example**



## 1.5 Specification Details

This sample code, after completion of initialization, transitions to standby mode.  $\overline{CS}$  The slave selected by the  $\overline{CS}$  signal sets the BUSY signal low after completing the preparation of communication. The slave sets the BUSY signal high when the command reception from the master is completed. After communication is completed, the slave sets the BUSY signal high and prepares for the next communication. While the slave is selected by the  $\overline{CS}$  signal, it controls data transmission/reception and the BUSY signal.

### (1) Initialize the port.

<Conditions for setting the port>

- Use P00 controlling the BUSY signal in N-ch open drain output mode.
- Use P137/INTP0 detecting the  $\overline{CS}$  signal as an input port.

### (2) Initialize the external interrupt function.

<Conditions for setting external interrupt>

- Use INTP0 for both edges.
- Set the priority of INTP0 to the lowest level (3, by default).

### (3) Initialize the CSI.

<Conditions for setting the CSI>

- Use SAU0 channel 0 as CSI00.
- Use the external clock as the transfer clock.
- Assign the clock input to the P10/SCK00 pin, the data input to the P11/SI00 pin, and the data output to the P12/SO00 pin.
- Use single transfer mode as the transfer mode.
- Set the data length to 8 bits.
- Set the phase between the data and clock to type 1.
- Set the order of data transfer mode to MSB first.
- Use transmission end and reception end interrupts as the interrupt (INTCSI00).
- Set the priority of the interrupt (INTCSI00) to the lowest level (3, by default).

(4) After initialization is completed, the slave performs communication as shown in the following steps.

- ① The slave waits in standby state (HALT mode) until it is selected by the  $\overline{CS}$  signal.
- ② An external interrupt INTP0 occurs by the falling edge of the  $\overline{CS}$  signal, and the slave is released from HALT mode.
- ③ The slave enables CSI00 for operation, enables SO00 for output, sets the BUSY signal low, and waits for the start of command reception processing.
- ④ The slave separates the receive data into the upper 2 bits containing the command from the master, and the remaining lower 6 bits.
- ⑤ The slave branches into the master command processing, status check, data reception, transmission, or transmission/reception.
- ⑥ The slaves executes the processing specified by the command.
- ⑦ After the processing is completed, the slave waits in standby state (HALT mode) until the  $\overline{CS}$  signal goes high.
- ⑧ An external interrupt INTP0 occurs by the rising edge of the  $\overline{CS}$  signal, and the slave is released from HALT mode. After confirming that the  $\overline{CS}$  signal is high, disable CSI00 for operation and disable SO00 for output. These steps are subsequently repeated from step 1.

(5) Command reception

Each communication operation begins with the reception of a 1-byte command. Table 1-4 lists the command formats.

**Table 1-4 Command Formats**

Command Code		Command Outline
Status check	0000000B	Checks the number of data characters that the slave can transmit or receive. The following responses can be made by the slave: 01xxxxxB: The number of characters that the slave can transmit is xxxxxB. 00xxxxxB: The number of characters that the slave can receive is xxxxxB.
Reception	01xxxxxB	The master receives xxxxxB bytes of data.
Transmission	10xxxxxB	The master transmits xxxxxB bytes of data.
Transmission/reception	11xxxxxB	The master transmits and receives xxxxxB bytes of data.



## 2. Operation Confirmation Conditions

The operation of the sample code provided with this application note has been tested under the following conditions.

**Table 2-1 Operation Confirmation Conditions**

Item Description	Item Description
MCU used	RL78/G23 (R7F100GLG)
Operating frequency	<ul style="list-style-type: none"> <li>● High-speed on-chip oscillator clock (fIH): 32 MHz</li> <li>● CPU/peripheral hardware clock: 32 MHz</li> </ul>
Operating voltage	During VDD operation: 5.0 V (4.0V~5.5V) LVD0 detection voltage: Reset mode At rising edge TYP. 1.90 V (1.84 V to 1.95 V) At falling edge TYP. 1.86 V (1.80 V to 1.91 V)
Integrated development environment (CS+)	CS+ V8.08.00 from Renesas Electronics Corp.
C compiler (CS+)	CC-RL V1.11.00 from Renesas Electronics Corp
Integrated development environment (e2studio)	e2 studio V2022-07 (22.7.0) from Renesas Electronics Corp.
C compiler (e2studio)	CC-RL V1.11.00 from Renesas Electronics Corp.
Integrated development environment (IAR)	IAR Embedded Workbench for Renesas RL78 V4.21.2 from IAR Systems Corp.
C compiler (IAR)	IAR C/C++ Compiler for Renesas RL78 V4.21.2.2420 from IAR Systems Corp.
Smart Configurator	V.1.4.0
Board Support Package (r_bsp)	V.1.30
Board used	RL78/G23 Fast Prototyping Board (RTK7RLG230CLG000BJ)

## 3. Related Application Notes

See also the following application notes, which are related to this application note:

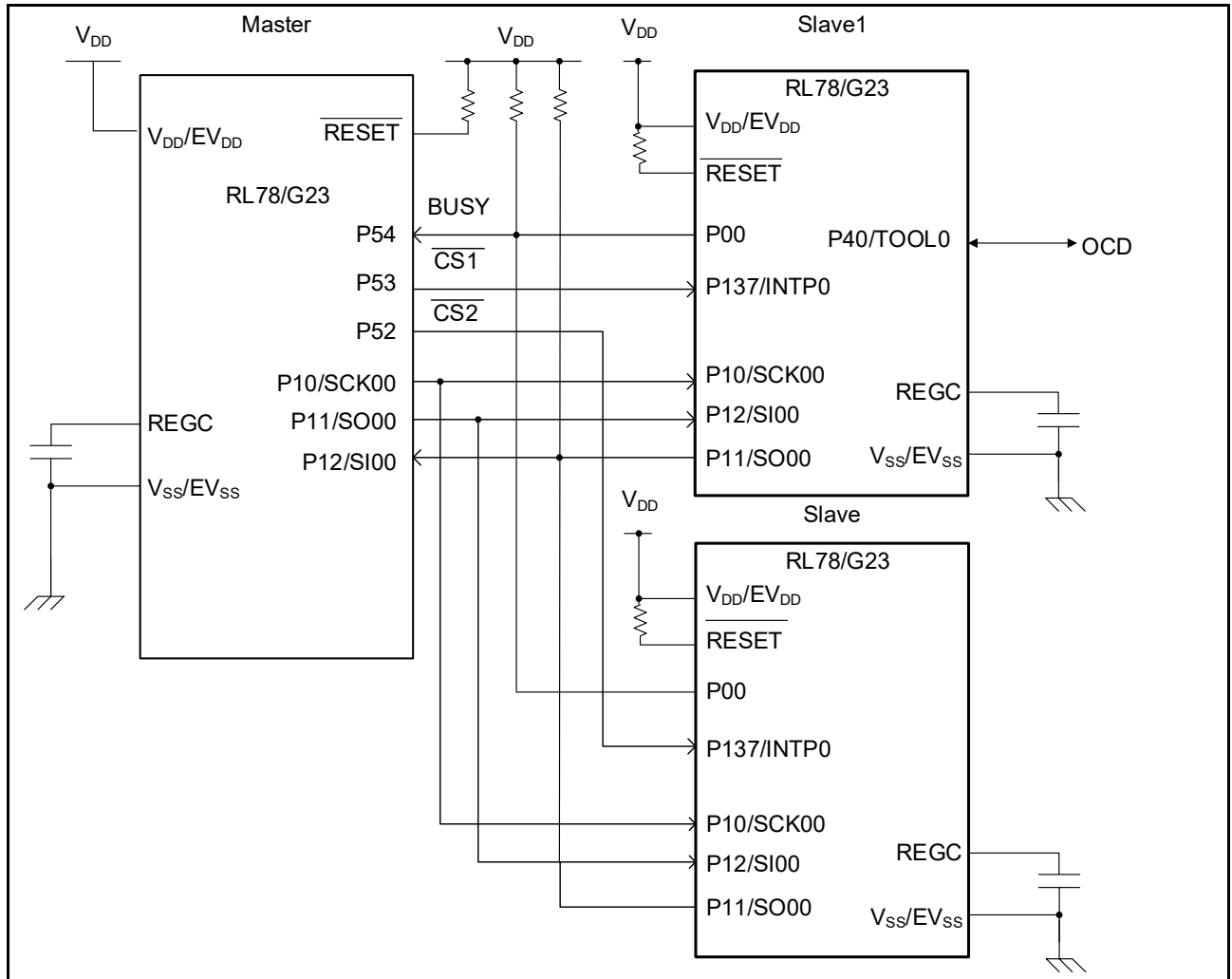
RL78/G23 Handshake-based SPI Master Transmission/Reception (R01AN5889J) APPLICATION NOTE

4. Hardware Descriptions

4.1 Example of Hardware Configuration

Figure 4-1 shows an example of the hardware configuration used in the application note.

Figure 4-1 Hardware Configuration



Note 1. This schematic circuit diagram is simplified to show the outline of connections. When creating circuits, design them so that they meet electrical characteristics by properly performing pin processing. (Connect input-only ports to V<sub>DD</sub> or V<sub>SS</sub> individually through a resistor.)

Note 2. Connect pins (with a name beginning with EV<sub>SS</sub>), if any, to V<sub>SS</sub>, and connect pins (with a name beginning with EV<sub>DD</sub>), if any, to V<sub>DD</sub>.

## 4.2 List of Pins to be Used

Table 4-1 lists the pins to be used and their functions.

**Table 4-1 Pins to be Used and Their Functions**

Pin Name	I/O	Description
P10/EI10/EO10/SCK00/SCL00/(TI07)/(TO07)	Output	Serial clock output pin
P11/EI11/EO11/SI00/RxD0/TOOLRxD/SDA00/(TI06)/(TO06)	Input	Data reception pin
P12/EI12/EO12/SO00/TxD0/TOOLTxD/(INTP5)/(TI05)/(TO05)	Output	Data transmission pin
P00/TS26/EI00/TI00	Output	BUSY signal output to the master
P137/EI137/INTP0	Input	$\overline{CS}$ signal detection

**Caution** In this application note, only the used pins are processed. When actually designing your circuit, make sure the design includes sufficient pin processing and meets electrical characteristic requirements.

## 5. Description of the Software

### 5.1 List of Option Byte Settings

Table 5-1 summarizes the settings of the option bytes.

**Table 5-1 Option Byte Settings**

Address	Setting Value	Contents
000C0H	1110 1111B (EFH)	Stops the watchdog timer operation. (Stops counting after the release of the reset state.)
000C1H	1111 1110B (FEH)	LVD reset mode Detection Voltage: On the rising edge: TYP. 1.90V (1.84 V to 1.95 V) On the falling edge: TYP. 1.86V (1.80 V to 1.91 V)
000C2H	11101000B (E8H)	HS mode, HOCO: 32 MHz
000C3H	10000100B (84H)	Enables the on-chip debugging function.

### 5.2 List of Constants

Table 5-2 lists the constants that are used in the sample code.

**Table 5-2 Constants Used in the Sample Code**

Constant Name	Definition location	Setting Value	Contents
CS_pin	r_cg_userdefine.h	P13_bit.no7	Port register for the $\overline{CS}$ signal
PM_SO00	r_cg_userdefine.h	PM1_bit.no2	Port mode register for the SO00 signal
PM_BUSY	r_cg_userdefine.h	PM0_bit.no0	Port mode register for the BUSY signal
BUSYOUT	r_cg_userdefine.h	P0_bit.no0	Port register for the BUSY signal
TX_NUM	main.c	32	Number of data characters that can be transmitted
RX_NUM	main.c	32	Number of data characters that can be received
data_length	main.c	1	Data length
TX_DATA[]	main.c	*1	Stores 63 characters of transmit data, the maximum number of characters transferred.

Note: 1. In this application note, ASCII codes from 0x40 to 0x7F are stored.

### 5.3 List of Variables

Table 5-3 lists the global variables that are used in this sample code.

**Table 5-3 Global Variables Used in the Sample Code**

Type	Variable Name	Contents	Function Used
uint8_t	g_tx_data	Buffer for transmit data	main.c
uint8_t	g_rx_data	Buffer for receive data	main.c
uint8_t	g_mode_check	Mode check flag	main.c
uint8_t	g_num	Number of characters to be transmitted/received requested by the master	main.c
uint8_t	g_rx_data_stored[]	Stores receive data.	main.c

## 5.4 List of Functions

Table 5-4 lists the functions that are used in the sample code.

**Table 5-4 Functions**

Function Name	Outline	Source file
main	Main processing	main.c
CSI00_Status_check	CSI status check	main.c
CSI00_Send_Receive	CSI transmission/reception	main.c
CSI00_Send	CSI transmission (master receives data)	main.c
CSI00_Receive	CSI reception (master transmits data)	main.c
r_Config_CSI00_callback_sendend	Setting BUSY signal high	Config_CSI00_user.c

## 5.5 Function Specifications

The following tables list the sample code function specifications.

### [Function Name] main

Synopsis	Main processing
Header	r_smc_entry.h
Declaration	void main(void)
Explanation	Starts the operation of INTP0. Starts CSI communication and receives a command from the master when INTP0 occurs. Branch into the processing corresponding to the received command.
Arguments	<ul style="list-style-type: none"> <li>• None</li> </ul>
Return value	<ul style="list-style-type: none"> <li>• None</li> </ul>
Remarks	None

### [Function Name] CSI00\_Status\_check

Synopsis	CSI status check
Header	r_smc_entry.h
Declaration	void CSI00_Status_check (void)
Explanation	Checks the status of the slave.
Arguments	<ul style="list-style-type: none"> <li>• None</li> </ul>
Return value	<ul style="list-style-type: none"> <li>• None</li> </ul>
Remarks	None

---

**[Function Name] CSI00\_Send\_Receive**

---

Synopsis	CSI transmission/reception
Header	r_smc_entry.h
Declaration	void CSI00_Send_Receive (void)
Explanation	Performs the slave transmission/reception processing.
Arguments	<ul style="list-style-type: none"> <li>• None</li> </ul>
Return value	<ul style="list-style-type: none"> <li>• None</li> </ul>
Remarks	None

---

**[Function Name] CSI00\_Send**

---

Synopsis	CSI transmission
Header	r_smc_entry.h
Declaration	void CSI00_Send (void)
Explanation	Performs the slave transmission processing.
Arguments	<ul style="list-style-type: none"> <li>• None</li> </ul>
Return value	<ul style="list-style-type: none"> <li>• None</li> </ul>
Remarks	None

---

**[Function Name] CSI00\_Receive**

---

Synopsis	CSI reception
Header	r_smc_entry.h
Declaration	void CSI00_Receive (void)
Explanation	Performs the slave reception processing.
Arguments	<ul style="list-style-type: none"> <li>• None</li> </ul>
Return value	<ul style="list-style-type: none"> <li>• None</li> </ul>
Remarks	None

---

**[Function Name] r\_Config\_CSI00\_callback\_sendend**

---

Synopsis	Setting BUSY signal high
Header	r_cg_macrodriver.h r_cg_userdefine.h Config_CSI00.h
Declaration	static void r_Config_CSI00_callback_sendend(void)
Explanation	Sets the BUSY signal high.
Arguments	<ul style="list-style-type: none"> <li>• None</li> </ul>
Return value	<ul style="list-style-type: none"> <li>• None</li> </ul>
Remarks	None

5.6 Flowcharts

5.6.1 Flowchart of Main Processing

Figure 5-1 to Figure 5-2 show the overall flow of processing in this application note.

Figure 5-1 Main Processing 1/2

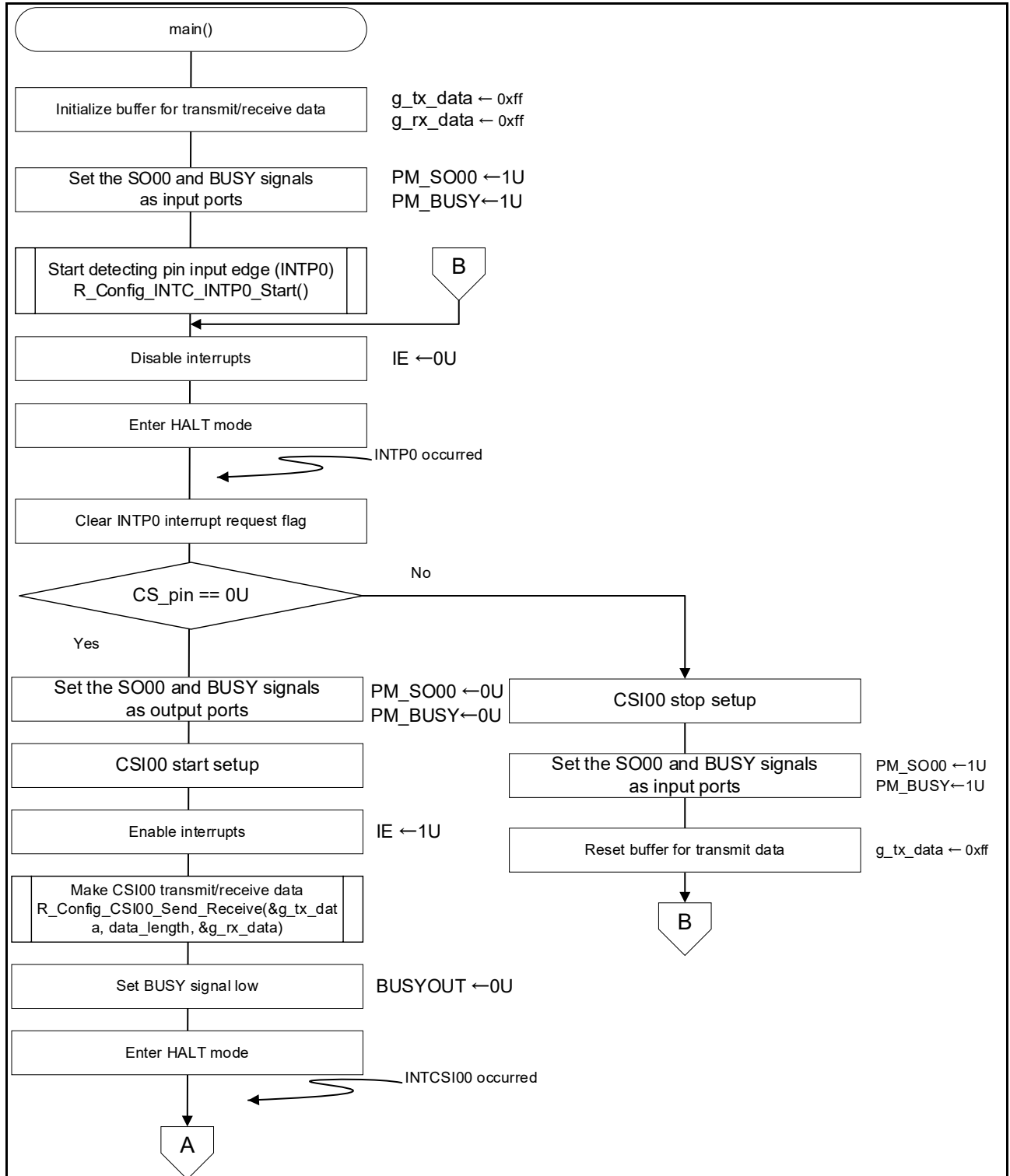
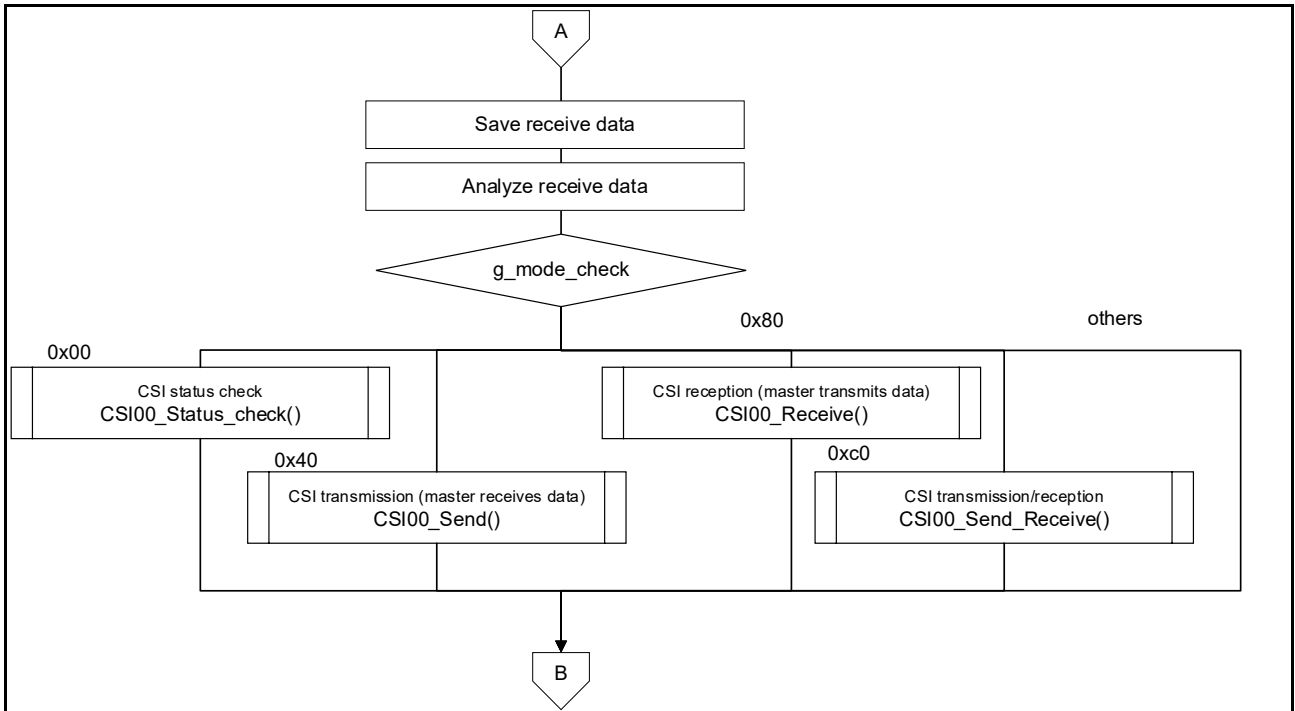


Figure 5-2 Main Processing 2/2

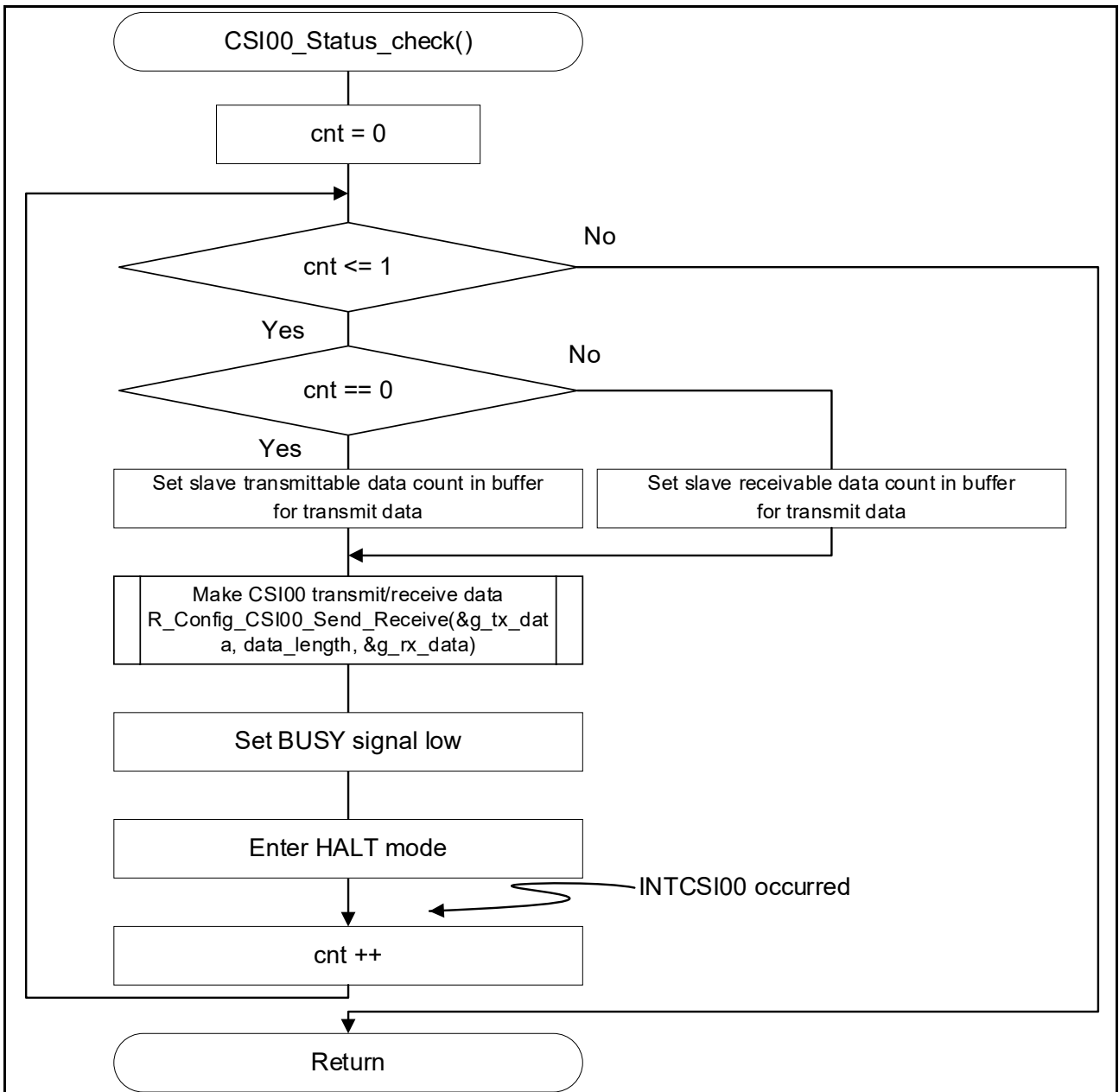




5.6.2 Flowchart of CSI Status Check

Figure 5-3 shows the flow of CSI status checking.

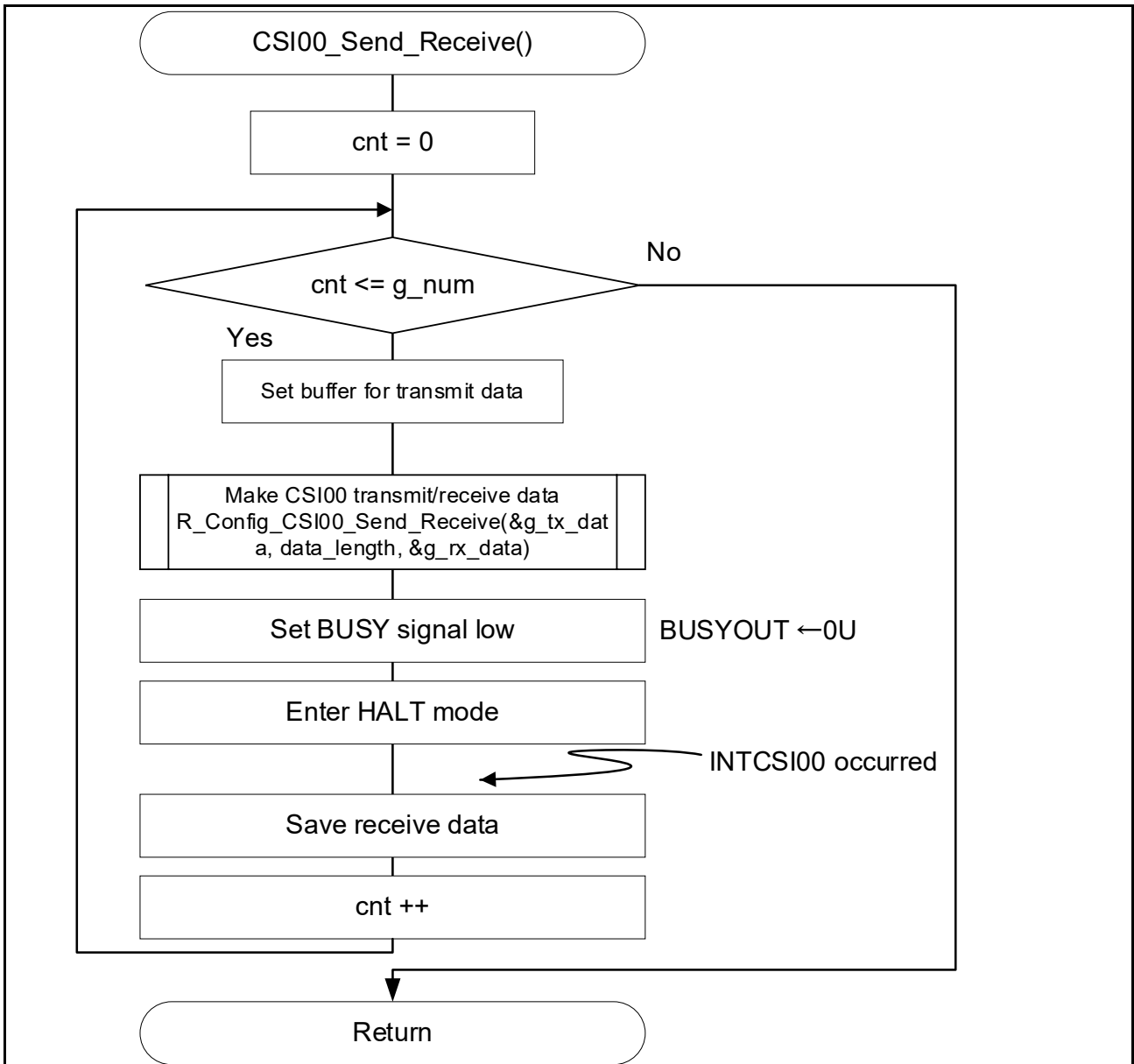
Figure 5-3 CSI Status Check



5.6.3 Flowchart of CSI Transmission/Reception

Figure 5-4 shows the flow of CSI transmission and reception.

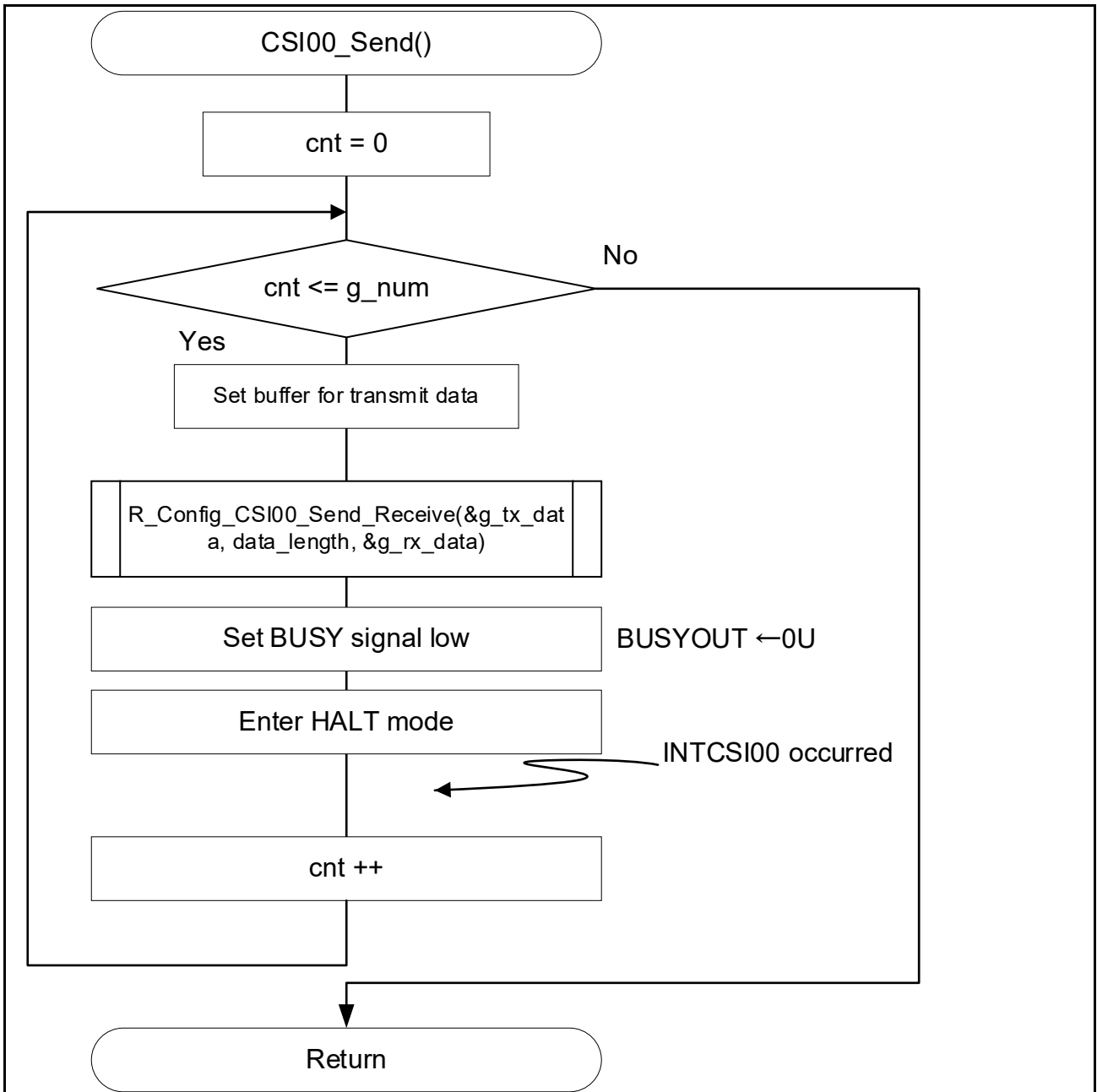
**Figure 5-4 CSI Transmission/Reception**



5.6.4 Flowchart of CSI Transmission

Figure 5-5 shows the flow of CSI transmission.

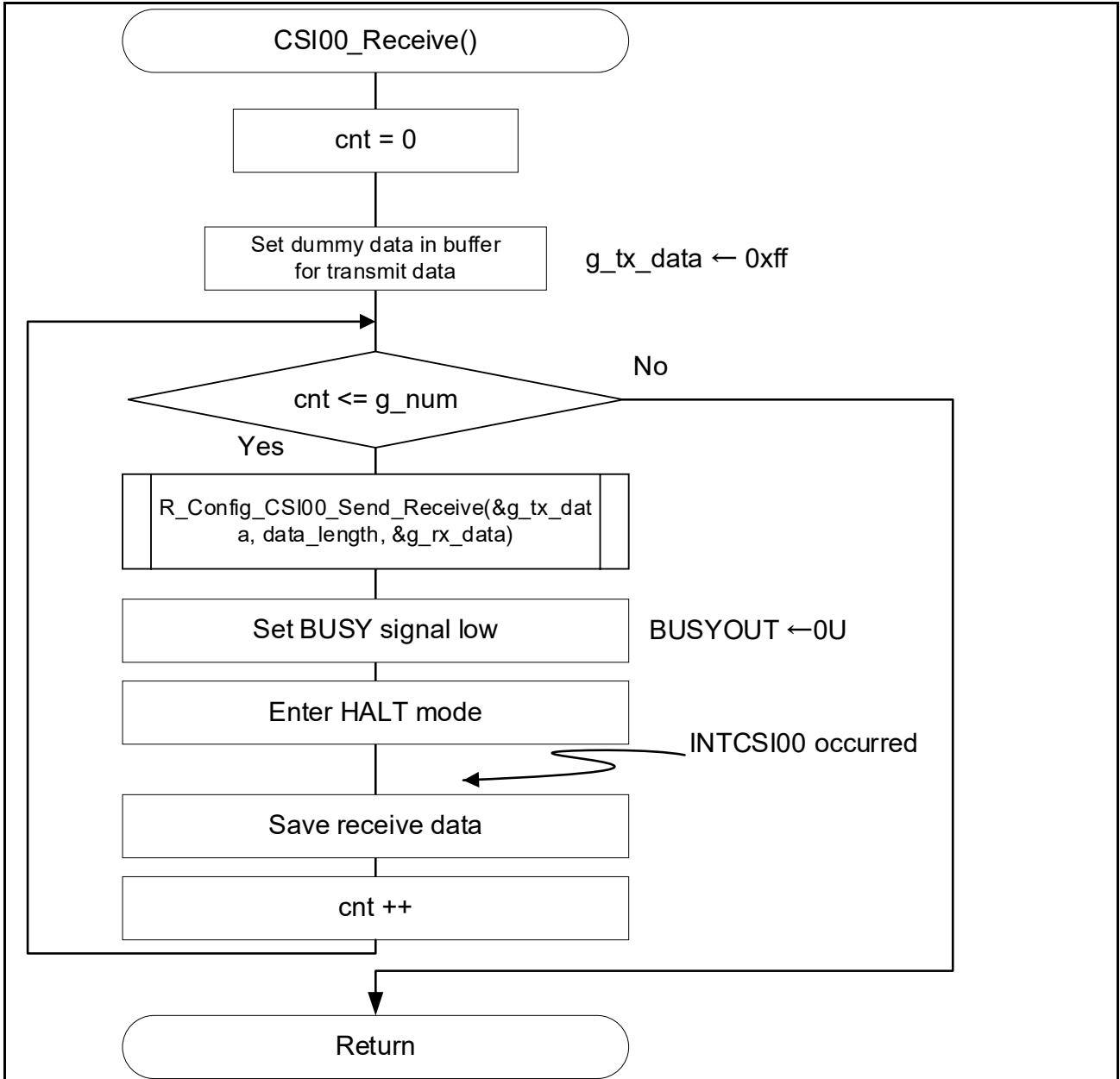
Figure 5-5 CSI Transmission



5.6.5 Flowchart of CSI Reception

Figure 5-6 shows the flow of CSI reception.

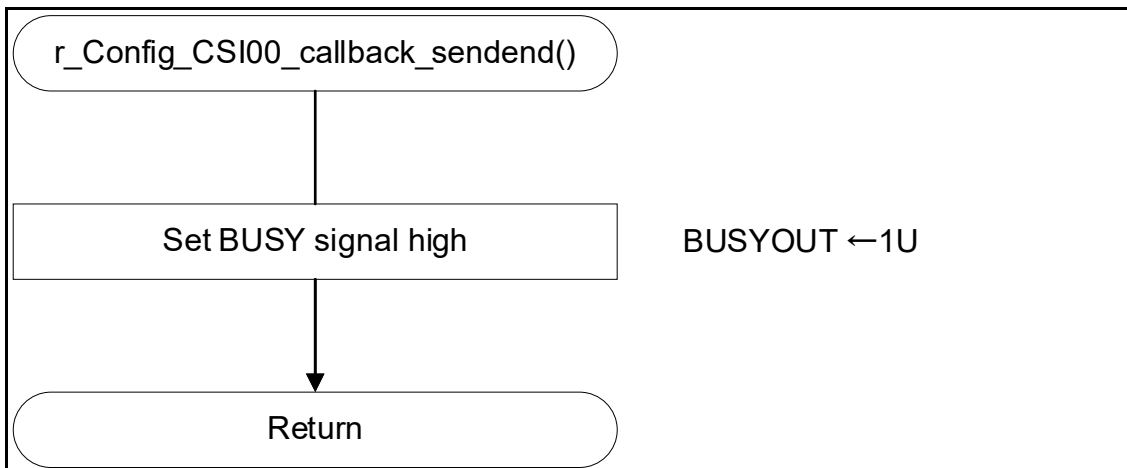
Figure 5-6 CSI Reception



5.6.6 Flowchart of Setting BUSY Signal High

Figure 5-7 shows the flow of setting the BUSY signal high.

Figure 5-7 Setting BUSY Signal High



## 6. Sample Code

Sample code can be downloaded from the Renesas Electronics website.

## 7. Reference Documents

RL78/G23 User's Manual: Hardware (R01UH0896)

RL78 family user's manual software (R01US0015)

The latest versions can be downloaded from the Renesas Electronics website.

Technical update

The latest versions can be downloaded from the Renesas Electronics website.

All trademarks and registered trademarks are the property of their respective owners.

## Revision History

Rev.	Date	Description	
		Page	Summary
1.00	2022.12.16	-	First edition issued

# General Precautions in the Handling of Microprocessing Unit and Microcontroller Unit Products

The following usage notes are applicable to all Microprocessing unit and Microcontroller unit products from Renesas. For detailed usage notes on the products covered by this document, refer to the relevant sections of the document as well as any technical updates that have been issued for the products.

## 1. Precaution against Electrostatic Discharge (ESD)

A strong electrical field, when exposed to a CMOS device, can cause destruction of the gate oxide and ultimately degrade the device operation. Steps must be taken to stop the generation of static electricity as much as possible, and quickly dissipate it when it occurs. Environmental control must be adequate. When it is dry, a humidifier should be used. This is recommended to avoid using insulators that can easily build up static electricity. Semiconductor devices must be stored and transported in an anti-static container, static shielding bag or conductive material. All test and measurement tools including work benches and floors must be grounded. The operator must also be grounded using a wrist strap. Semiconductor devices must not be touched with bare hands. Similar precautions must be taken for printed circuit boards with mounted semiconductor devices.

## 2. Processing at power-on

The state of the product is undefined at the time when power is supplied. The states of internal circuits in the LSI are indeterminate and the states of register settings and pins are undefined at the time when power is supplied. In a finished product where the reset signal is applied to the external reset pin, the states of pins are not guaranteed from the time when power is supplied until the reset process is completed. In a similar way, the states of pins in a product that is reset by an on-chip power-on reset function are not guaranteed from the time when power is supplied until the power reaches the level at which resetting is specified.

## 3. Input of signal during power-off state

Do not input signals or an I/O pull-up power supply while the device is powered off. The current injection that results from input of such a signal or I/O pull-up power supply may cause malfunction and the abnormal current that passes in the device at this time may cause degradation of internal elements. Follow the guideline for input signal during power-off state as described in your product documentation.

## 4. Handling of unused pins

Handle unused pins in accordance with the directions given under handling of unused pins in the manual. The input pins of CMOS products are generally in the high-impedance state. In operation with an unused pin in the open-circuit state, extra electromagnetic noise is induced in the vicinity of the LSI, an associated shoot-through current flows internally, and malfunctions occur due to the false recognition of the pin state as an input signal become possible.

## 5. Clock signals

After applying a reset, only release the reset line after the operating clock signal becomes stable. When switching the clock signal during program execution, wait until the target clock signal is stabilized. When the clock signal is generated with an external resonator or from an external oscillator during a reset, ensure that the reset line is only released after full stabilization of the clock signal. Additionally, when switching to a clock signal produced with an external resonator or by an external oscillator while program execution is in progress, wait until the target clock signal is stable.

## 6. Voltage application waveform at input pin

Waveform distortion due to input noise or a reflected wave may cause malfunction. If the input of the CMOS device stays in the area between  $V_{IL}$  (Max.) and  $V_{IH}$  (Min.) due to noise, for example, the device may malfunction. Take care to prevent chattering noise from entering the device when the input level is fixed, and also in the transition period when the input level passes through the area between  $V_{IL}$  (Max.) and  $V_{IH}$  (Min.).

## 7. Prohibition of access to reserved addresses

Access to reserved addresses is prohibited. The reserved addresses are provided for possible future expansion of functions. Do not access these addresses as the correct operation of the LSI is not guaranteed.

## 8. Differences between products

Before changing from one product to another, for example to a product with a different part number, confirm that the change will not lead to problems. The characteristics of a microprocessing unit or microcontroller unit products in the same group but having a different part number might differ in terms of internal memory capacity, layout pattern, and other factors, which can affect the ranges of electrical characteristics, such as characteristic values, operating margins, immunity to noise, and amount of radiated noise. When changing to a product with a different part number, implement a system-evaluation test for the given product.



## Notice

1. Descriptions of circuits, software and other related information in this document are provided only to illustrate the operation of semiconductor products and application examples. You are fully responsible for the incorporation or any other use of the circuits, software, and information in the design of your product or system. Renesas Electronics disclaims any and all liability for any losses and damages incurred by you or third parties arising from the use of these circuits, software, or information.
2. Renesas Electronics hereby expressly disclaims any warranties against and liability for infringement or any other claims involving patents, copyrights, or other intellectual property rights of third parties, by or arising from the use of Renesas Electronics products or technical information described in this document, including but not limited to, the product data, drawings, charts, programs, algorithms, and application examples.
3. No license, express, implied or otherwise, is granted hereby under any patents, copyrights or other intellectual property rights of Renesas Electronics or others.
4. You shall be responsible for determining what licenses are required from any third parties, and obtaining such licenses for the lawful import, export, manufacture, sales, utilization, distribution or other disposal of any products incorporating Renesas Electronics products, if required.
5. You shall not alter, modify, copy, or reverse engineer any Renesas Electronics product, whether in whole or in part. Renesas Electronics disclaims any and all liability for any losses or damages incurred by you or third parties arising from such alteration, modification, copying or reverse engineering.
6. Renesas Electronics products are classified according to the following two quality grades: "Standard" and "High Quality". The intended applications for each Renesas Electronics product depends on the product's quality grade, as indicated below.
  - "Standard": Computers; office equipment; communications equipment; test and measurement equipment; audio and visual equipment; home electronic appliances; machine tools; personal electronic equipment; industrial robots; etc.
  - "High Quality": Transportation equipment (automobiles, trains, ships, etc.); traffic control (traffic lights); large-scale communication equipment; key financial terminal systems; safety control equipment; etc.Unless expressly designated as a high reliability product or a product for harsh environments in a Renesas Electronics data sheet or other Renesas Electronics document, Renesas Electronics products are not intended or authorized for use in products or systems that may pose a direct threat to human life or bodily injury (artificial life support devices or systems; surgical implantations; etc.), or may cause serious property damage (space system; undersea repeaters; nuclear power control systems; aircraft control systems; key plant systems; military equipment; etc.). Renesas Electronics disclaims any and all liability for any damages or losses incurred by you or any third parties arising from the use of any Renesas Electronics product that is inconsistent with any Renesas Electronics data sheet, user's manual or other Renesas Electronics document.
7. No semiconductor product is absolutely secure. Notwithstanding any security measures or features that may be implemented in Renesas Electronics hardware or software products, Renesas Electronics shall have absolutely no liability arising out of any vulnerability or security breach, including but not limited to any unauthorized access to or use of a Renesas Electronics product or a system that uses a Renesas Electronics product. RENESAS ELECTRONICS DOES NOT WARRANT OR GUARANTEE THAT RENESAS ELECTRONICS PRODUCTS, OR ANY SYSTEMS CREATED USING RENESAS ELECTRONICS PRODUCTS WILL BE INVULNERABLE OR FREE FROM CORRUPTION, ATTACK, VIRUSES, INTERFERENCE, HACKING, DATA LOSS OR THEFT, OR OTHER SECURITY INTRUSION ("Vulnerability Issues"). RENESAS ELECTRONICS DISCLAIMS ANY AND ALL RESPONSIBILITY OR LIABILITY ARISING FROM OR RELATED TO ANY VULNERABILITY ISSUES. FURTHERMORE, TO THE EXTENT PERMITTED BY APPLICABLE LAW, RENESAS ELECTRONICS DISCLAIMS ANY AND ALL WARRANTIES, EXPRESS OR IMPLIED, WITH RESPECT TO THIS DOCUMENT AND ANY RELATED OR ACCOMPANYING SOFTWARE OR HARDWARE, INCLUDING BUT NOT LIMITED TO THE IMPLIED WARRANTIES OF MERCHANTABILITY, OR FITNESS FOR A PARTICULAR PURPOSE.
8. When using Renesas Electronics products, refer to the latest product information (data sheets, user's manuals, application notes, "General Notes for Handling and Using Semiconductor Devices" in the reliability handbook, etc.), and ensure that usage conditions are within the ranges specified by Renesas Electronics with respect to maximum ratings, operating power supply voltage range, heat dissipation characteristics, installation, etc. Renesas Electronics disclaims any and all liability for any malfunctions, failure or accident arising out of the use of Renesas Electronics products outside of such specified ranges.
9. Although Renesas Electronics endeavors to improve the quality and reliability of Renesas Electronics products, semiconductor products have specific characteristics, such as the occurrence of failure at a certain rate and malfunctions under certain use conditions. Unless designated as a high reliability product or a product for harsh environments in a Renesas Electronics data sheet or other Renesas Electronics document, Renesas Electronics products are not subject to radiation resistance design. You are responsible for implementing safety measures to guard against the possibility of bodily injury, injury or damage caused by fire, and/or danger to the public in the event of a failure or malfunction of Renesas Electronics products, such as safety design for hardware and software, including but not limited to redundancy, fire control and malfunction prevention, appropriate treatment for aging degradation or any other appropriate measures. Because the evaluation of microcomputer software alone is very difficult and impractical, you are responsible for evaluating the safety of the final products or systems manufactured by you.
10. Please contact a Renesas Electronics sales office for details as to environmental matters such as the environmental compatibility of each Renesas Electronics product. You are responsible for carefully and sufficiently investigating applicable laws and regulations that regulate the inclusion or use of controlled substances, including without limitation, the EU RoHS Directive, and using Renesas Electronics products in compliance with all these applicable laws and regulations. Renesas Electronics disclaims any and all liability for damages or losses occurring as a result of your noncompliance with applicable laws and regulations.
11. Renesas Electronics products and technologies shall not be used for or incorporated into any products or systems whose manufacture, use, or sale is prohibited under any applicable domestic or foreign laws or regulations. You shall comply with any applicable export control laws and regulations promulgated and administered by the governments of any countries asserting jurisdiction over the parties or transactions.
12. It is the responsibility of the buyer or distributor of Renesas Electronics products, or any other party who distributes, disposes of, or otherwise sells or transfers the product to a third party, to notify such third party in advance of the contents and conditions set forth in this document.
13. This document shall not be reprinted, reproduced or duplicated in any form, in whole or in part, without prior written consent of Renesas Electronics.
14. Please contact a Renesas Electronics sales office if you have any questions regarding the information contained in this document or Renesas Electronics products.

(Note1) "Renesas Electronics" as used in this document means Renesas Electronics Corporation and also includes its directly or indirectly controlled subsidiaries.

(Note2) "Renesas Electronics product(s)" means any product developed or manufactured by or for Renesas Electronics.

(Rev.5.0-1 October 2020)

## Corporate Headquarters

TOYOSU FORESIA, 3-2-24 Toyosu,  
Koto-ku, Tokyo 135-0061, Japan  
[www.renesas.com](http://www.renesas.com)

## Trademarks

Renesas and the Renesas logo are trademarks of Renesas Electronics Corporation. All trademarks and registered trademarks are the property of their respective owners.

## Contact information

For further information on a product, technology, the most up-to-date version of a document, or your nearest sales office, please visit:  
[www.renesas.com/contact/](http://www.renesas.com/contact/).