

RL78/G13

R01AN2803EJ0100

Rev. 1.00

DMA Controller (A/D Converter in Sequential Conversion Mode)

Apr. 16, 2015

CC-RL

Introduction

This application note explains how to transfer data between the A/D converter and the on-chip RAM through the DMA controller. The A/D conversion results are transferred to the on-chip RAM through the DMA controller. The sample application covered in this application note performs A/D conversion on four channels of analog input voltages and stores the A/D conversion results in the on-chip RAM through the DMA controller. On the LED display, the sample application displays the number of the channel that has the largest total of the A/D conversion results.

Target Device

RL78/G13

When applying the sample program covered in this application note to another microcomputer, modify the program according to the specifications for the target microcomputer and conduct an extensive evaluation of the modified program.

Contents

1. Specifications	3
2. Operation Check Conditions	5
3. Related Application Notes	5
4. Description of the Hardware	6
4.1 Hardware Configuration Example	6
4.2 List of Pins to be Used	6
5. Description of the Software	7
5.1 Operation Outline	7
5.2 List of Option Byte Settings.....	8
5.3 List of Constants.....	8
5.4 List of Variables	8
5.5 List of Functions.....	9
5.6 Function Specifications	10
5.7 Flowcharts	13
5.7.1 Initialization Function.....	14
5.7.2 System Initialization Function	15
5.7.3 I/O Port Setup	16
5.7.4 CPU Clock Setup	19
5.7.5 A/D Converter Setup	20
5.7.6 Initializing the DMA Controller.....	27
5.7.7 User's Initialization Function.....	32
5.7.8 Main Processing.....	34
5.7.9 Enabling the A/D Voltage Comparator	35
5.7.10 Starting the DMA Controller.....	36
5.7.11 Starting A/D Conversion	39
5.7.12 Stopping the DMA Controller.....	40
5.7.13 Getting the Number of the Channel that has the Largest Total of the A/D Conversion Results	41
5.7.14 Getting the Total of A/D Conversion Results.....	42
5.7.15 DMA Transfer End Interrupt Processing	43
5.7.16 Stopping A/D Conversion.....	44
6. Sample Code	45
7. Documents for Reference	45
Revision Record	46
General Precautions in the Handling of MPU/MCU Products	47

1. Specifications

This application note explains how to transfer data between the A/D converter and the on-chip RAM through the DMA controller. The A/D converter is used in scan mode. The sample application covered in this application note performs A/D conversion on four channels of analog input voltages and stores the A/D conversion results in the on-chip RAM through the DMA controller. The sample application performs A/D conversion on the four channels sequentially and repeats this cycle 10 times. The application totals 10 cycles of A/D conversion results for each channel. On the LED display, the application displays the number of the channel that has the largest total of the A/D conversion results.

Table 1.1 shows peripheral functions to be used and their uses. Table 1.2 lists an example of sampling results and LED indications. Figure 1.1 shows the outline of the A/D converter and DMA controller operations.

Table 1.1 Peripheral Functions to be Used and their Uses

Peripheral Function	Use
A/D converter	Converts the level of analog signal input.
DMA controller	Controls the transfer of A/D conversion results to RAM.
P10 and P11	Turns on and off LEDs (LED1 and LED2).

Table 1.2 Example of Sampling Results and LED Indications

Channel that has the Largest Total of A/D Conversion Results	LED Indication	
	LED1 (P10)	LED2 (P11)
Channel 0	Off	Off
Channel 1	On	Off
Channel 2	Off	On
Channel 3	On	On

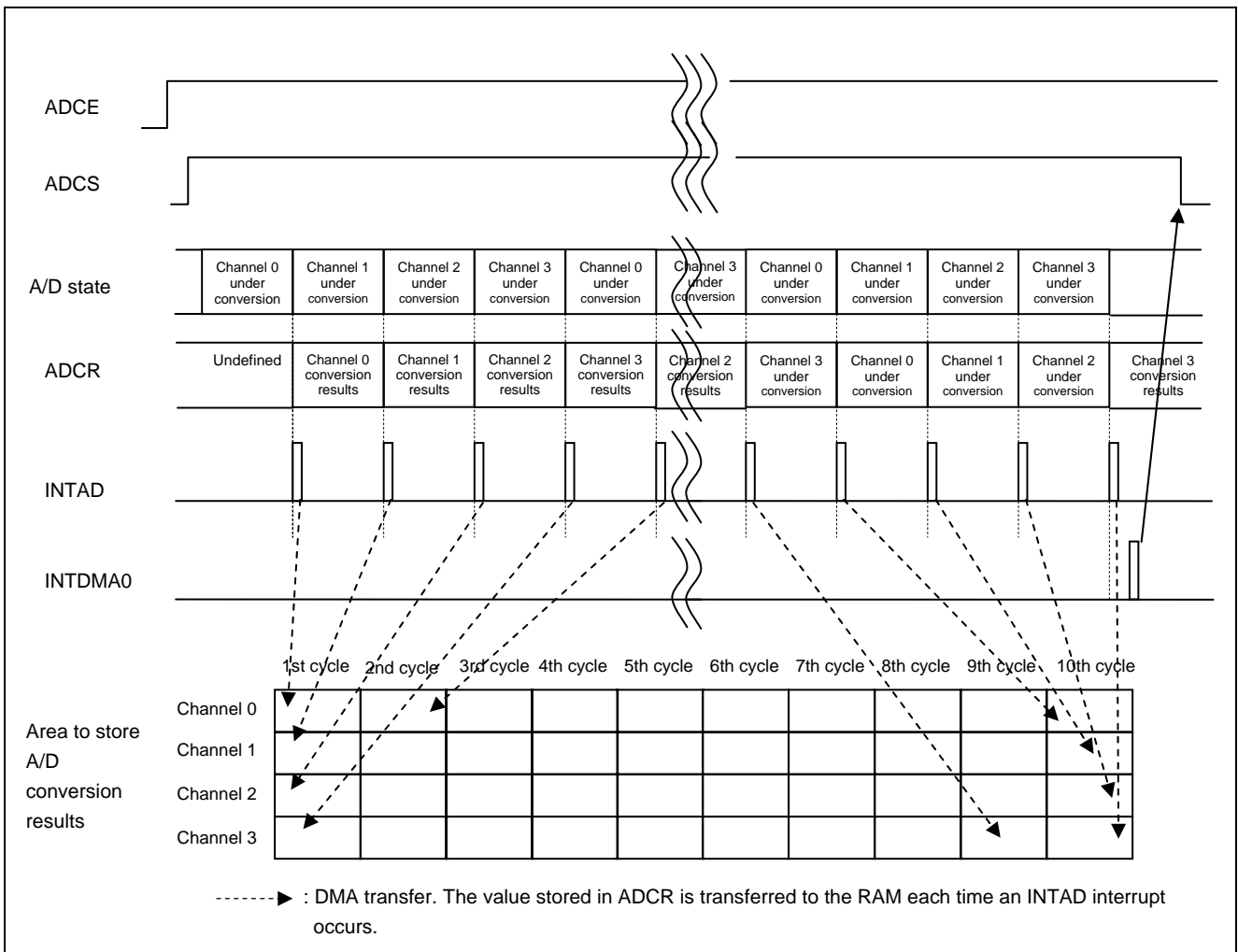


Figure 1.1 Outline of A/D Converter Conversion and DMA Controller Operations

2. Operation Check Conditions

The sample code described in this application note has been checked under the conditions listed in the table below.

Table 2.1 Operation Check Conditions

Item	Description
Microcontroller used	RL78/G13 (R5F100LEA)
Operating frequency	<ul style="list-style-type: none"> High-speed on-chip oscillator (HOCO) clock: 32 MHz CPU/peripheral hardware clock: 32 MHz
Operating voltage	5.0 V (can run on a voltage range of 3.8 V to 5.5 V.) LVD operation (V_{LVD}): Reset mode 3.75 V (3.68 V to 3.82 V)
Integrated development environment (CS+)	CS + V3.01.00 from Renesas Electronics Corp.
C compiler (CS+)	CC-RL V1.01.00 from Renesas Electronics Corp.
Integrated development environment (e ² studio)	e ² studio V4.0.0.26 from Renesas Electronics Corp.
C compiler (e ² studio)	CC-RL V1.01.00 from Renesas Electronics Corp.

3. Related Application Notes

The application notes that are related to this application note are listed below for reference.

RL78/G13 Initialization (R01AN2575E) Application Note

RL78/G13 A/D Converter (Software Trigger and Sequential Conversion Modes) (R01AN2581E) Application Note

4. Description of the Hardware

4.1 Hardware Configuration Example

Figure 4.1 shows an example of the hardware configuration used for this application note.

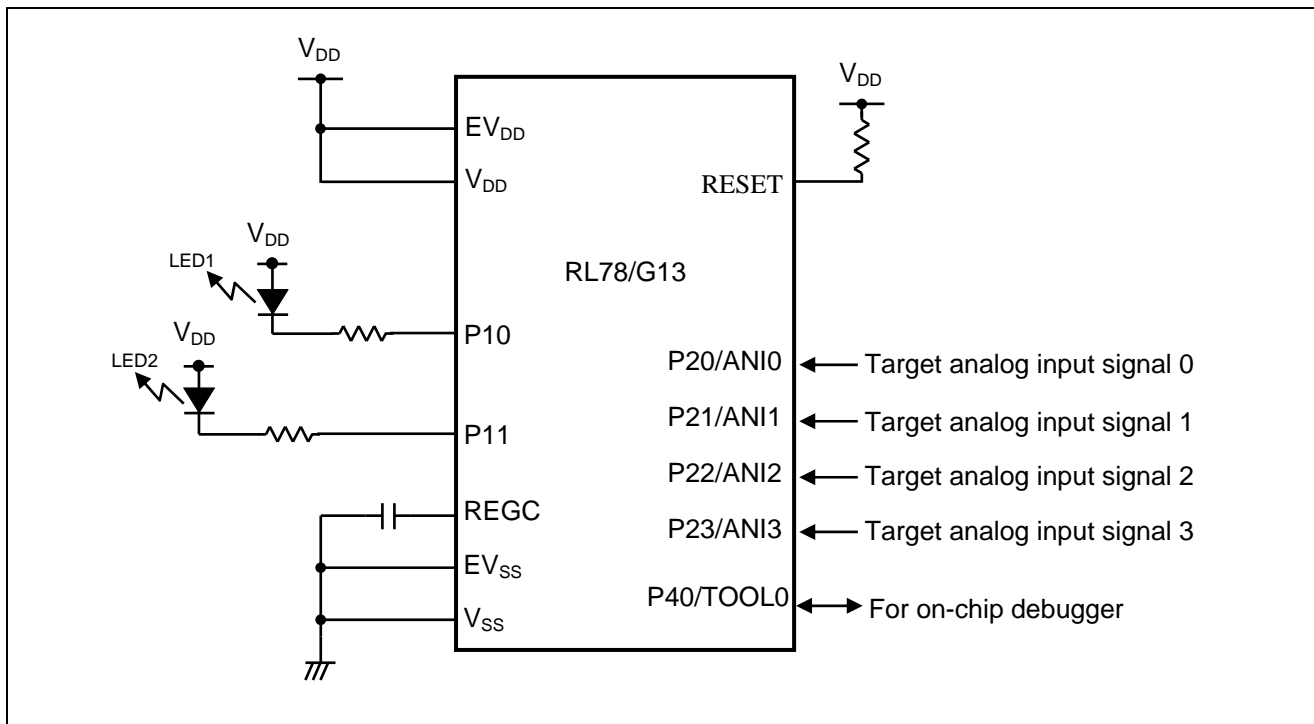


Figure 4.1 Hardware Configuration

- Cautions:
1. The purpose of this circuit is only to provide the connection outline and the circuit is simplified accordingly. When designing and implementing an actual circuit, provide proper pin treatment and make sure that the hardware's electrical specifications are met (connect the input-only ports separately to V_{DD} or V_{SS} via a resistor).
 2. Connect any pins whose name begins with EV_{SS} to V_{SS} and any pins whose name begins with EV_{DD} to V_{DD} , respectively.
 3. V_{DD} must be held at not lower than the reset release voltage (V_{LVD}) that is specified as LVD.

4.2 List of Pins to be Used

Table 4.1 lists the pins to be used and their functions.

Table 4.1 Pins to be Used and their Functions

Pin Name	I/O	Description
P20/ANI0	Input	A/D converter analog input port 0
P21/ANI1	Input	A/D converter analog input port 1
P22/ANI2	Input	A/D converter analog input port 2
P23/ANI3	Input	A/D converter analog input port 3
P10	Output	LED lighting (LED1) control port
P11	Output	LED lighting (LED2) control port

5. Description of the Software

5.1 Operation Outline

The sample application covered in this application note uses the DMA controller to transfer the A/D conversion results to the on-chip RAM.

The application converts the analog voltage input to ANI0 to ANI3 into digital data using the software trigger, scan mode, and sequential conversion mode of the A/D converter. An A/D conversion end interrupt request is generated upon completion of an A/D conversion. This interrupt request is used as a DMA start source and starts the transfer of the A/D conversion results to the on-chip RAM.

The application performs A/D conversion on the channels sequentially and repeats this cycle 10 times. It totals 10 cycles of A/D conversion results for each channel. On the LED display, it displays the number of the channel that has the largest total of the A/D conversion results.

(1) Initialize the peripheral functions.

<A/D converter>

- Pins P20/ANI0 to P23/ANI3 are used for the analog inputs.
- Set A/D conversion channel selection mode to scan mode.
- Set A/D conversion operation mode to sequential conversion mode.
- Start A/D conversion by using the software trigger.

<DMA controller>

- Set the DMA transfer direction to "SFR to on-chip RAM."
- Use the A/D conversion end interrupt as a DMA start source.
- Set the ADCR register in which the A/D conversion results are stored to a DMA transfer source.
- Keep an area for storing 40 cycles (4 channels × 10 cycles) of A/D conversion results.
- Set the start address of the above area for storing A/D conversion results to a DMA transfer destination.

(2) Start the A/D conversion. When the A/D conversion ends, the A/D conversion results are transferred to the ADCR register and an A/D conversion end interrupt (INTAD) is generated. The A/D conversion is performed on each of ANI0 to ANI3.

(3) DMA operation is triggered by the occurrence of the INTAD. The A/D conversion results are read from the ADCR register and stored in the designated locations in the area for storing the A/D conversion results sequentially.

(4) A DMA end interrupt is generated when 40 cycles of DMA transfer end. The DMA end interrupt stops the A/D conversion.

(5) The application totals 10 cycles of A/D conversion results for each channel. On the LED display, it displays the number of the channel that has the largest total of the A/D conversion results. If there are two or more channels that have the largest total of the A/D conversion results, the smallest channel number is displayed.

(6) The application resets the DMA transfer source to the start address of the area for storing A/D conversion results. It also resets the number of DMA transfers to 40. Subsequently, the application repeats steps from step (2).

5.2 List of Option Byte Settings

Table 5.1 summarizes the settings of the option bytes.

Table 5.1 Option Byte Settings

Address	Value	Description
000C0H/010C0H	11101111B	Disables the watchdog timer. (Stops counting after the release from the reset status.)
000C1H/010C1H	01010011B	LVD reset mode which uses 3.75 V (3.68 V to 3.82 V)
000C2H/010C2H	11101000B	HS mode, HOCO: 32 MHz
000C3H/010C3H	10000100B	Enables the on-chip debugger.

5.3 List of Constants

Table Table 5.2 lists the constants that are used in this sample program.

Table 5.2 Constants for the Sample Program

Constant	Setting	Description
ADC_USED_CH_NUM	4U	Number of channels targeted for A/D conversion
ADC_EXEC_TIMES	10U	Number of A/D conversion cycles
REQ_DISP_RESULT_EXIST	1U	A/D conversion result display request present. (Specified number of A/D conversions completed.)
REQ_DISP_RESULT_NOT_EXIST	0U	A/D conversion result display request not present. (Specified number of A/D conversions not completed)

5.4 List of Variables

Table Table 5.3 lists the global variables that are used by this sample program.

Table 5.3 Global Variables

Type	Variable Name	Contents	Function Used
uint16_t	g_AdResult[ADC_EXEC_TIMES][ADC_USED_CH_NUM]	Area for storing the 10-bit A/D conversion results	main() GetTotalAdcResult()
uint8_t	g_ReqDispResult	A/D conversion result display request	main() R_DMACH0_Interrupt()

5.5 List of Functions

Table 5.4 lists the functions that are used in this sample program.

Table 5.4 Functions

Function Name	Outline
R_DMAC0_Create_UserInit	Makes initial settings for DMA transfer.
R_ADC_Set_OperationOn	Enables the operation of the A/D voltage comparator.
R_DMAC0_Start	Starts the DMA controller.
R_ADC_StartConv	Starts A/D conversion.
R_DMAC0_Stop	Stops the DMA controller.
GetMaxAdChNum	Gets the number of the channel that has the largest total of the A/D conversion results.
GetTotalAdcResult	Gets the total of the A/D conversion results.
r_dmac0_interrupt	Performs DMA transfer end interrupt processing.
R_ADC_Stop	Stops A/D conversion.

5.6 Function Specifications

This section describes the specifications for the functions that are used in the sample code.

[Function Name] R_DMACH0_Create_UserInit

Synopsis	Makes initial settings for DMA transfer.
Header	r_cg_dmac.h
Declaration	void R_DMACH0_Create_UserInit(void)
Explanation	This function sets a DMA destination address in the on-chip RAM and the number of transfer cycles.
Arguments	None
Return value	None
Remarks	None

[Function Name] R_ADC_Set_OperationOn

Synopsis	Enables the operation of the A/D voltage comparator.
Header	r_cg_adc.h
Declaration	void R_ADC_Set_OperationOn(void)
Explanation	This function enables the operation of the A/D voltage comparator.
Arguments	None
Return value	None
Remarks	None

[Function Name] R_DMACH0_Start

Synopsis	Starts the DMA controller.
Header	r_cg_dmac.h
Declaration	void R_DMACH0_Start(void)
Explanation	This function starts the control of DMA transfer. It performs the following processing: <ul style="list-style-type: none"> • Clears the DMA transfer end interrupt request. • Enables DMA transfer end interrupts. • Enables DMA transfer and transitions to the DMA transfer trigger wait mode.
Arguments	None
Return value	None
Remarks	None

[Function Name] R_ADC_StartConv

Synopsis	Starts A/D conversion.
Header	r_cg_adc.h
Declaration	void R_ADC_StartConv(void)
Explanation	This function starts A/D conversion. It performs the following processing: <ul style="list-style-type: none"> • Clears the A/D conversion end interrupt request. • Disables A/D conversion end interrupts. • Starts A/D conversion.
Arguments	None
Return value	None
Remarks	None

[Function Name] R_DMACH0_Stop

Synopsis	Stops the DMA controller.
Header	r_cg_dmac.h
Declaration	void R_DMACH0_Stop(void)
Explanation	This function stops the control of DMA transfer. It performs the following processing: <ul style="list-style-type: none"> • Disables DMA transfer. • Disables DMA transfer end interrupts.
Arguments	None
Return value	None
Remarks	None

[Function Name] GetMaxAdChNum

Synopsis	Gets the number of the channel that has the largest total of the A/D conversion results.
Header	—
Declaration	static uint8_t GetMaxAdChNum(void)
Explanation	This function returns the number of the channel that has the largest total of 10 cycles of A/D conversion results. If there are two or more channels that has the largest total of the A/D conversion results, the smallest channel number is returned.
Arguments	None
Return value	Number of the channel that has the largest total of the A/D conversion results (0 to 3).
Remarks	This function may be executed before the A/D conversion is completed. In that case, no correct result can be obtained. This function should be executed after a specified number of A/D conversion cycles is executed.

[Function Name] GetTotalAdcResult

Synopsis	Gets the total of the A/D conversion results.
Header	—
Declaration	static uint16_t GetTotalAdcResult(uint8_t adc_ch)
Explanation	This function returns the total of 10 cycles of A/D conversion results performed on the channel with the channel number specified by the arguments. The value of ADCR is stored in the on-chip RAM without modification as the A/D conversion results. The value stored in the on-chip RAM is shifted by 6 bits to the right before being subjected to arithmetic operation (addition).
Arguments	Number of the channel on which the A/D conversions were performed (0 to 3)
Return value	Total of 10 cycles of A/D conversion results
Remarks	If an invalid argument is given, 0 is returned.

[Function Name] r_dmac0_interrupt

Synopsis	Performs DMA transfer end interrupt processing.
Header	r_cg_dmac.h
Declaration	static void __near r_dmac0_interrupt(void)
Explanation	This interrupt processing is executed when a specified number of DMA transfer cycles is executed. The function stops the A/D converter and issues a request to display the A/D conversion results.
Arguments	None
Return value	None
Remarks	None

[Function Name] R_ADC_Stop

Synopsis	Stops A/D conversion.
Header	r_cg_adc.h
Declaration	void R_ADC_Stop(void)
Explanation	This function stops A/D conversion. It performs the following processing: <ul style="list-style-type: none"> • Stops A/D conversion. • Disables A/D conversion end interrupts. • Clears the A/D conversion end interrupt request.
Arguments	None
Return value	None
Remarks	None

5.7 Flowcharts

Figure 5.1 shows the overall flow of the sample program described in this application note.

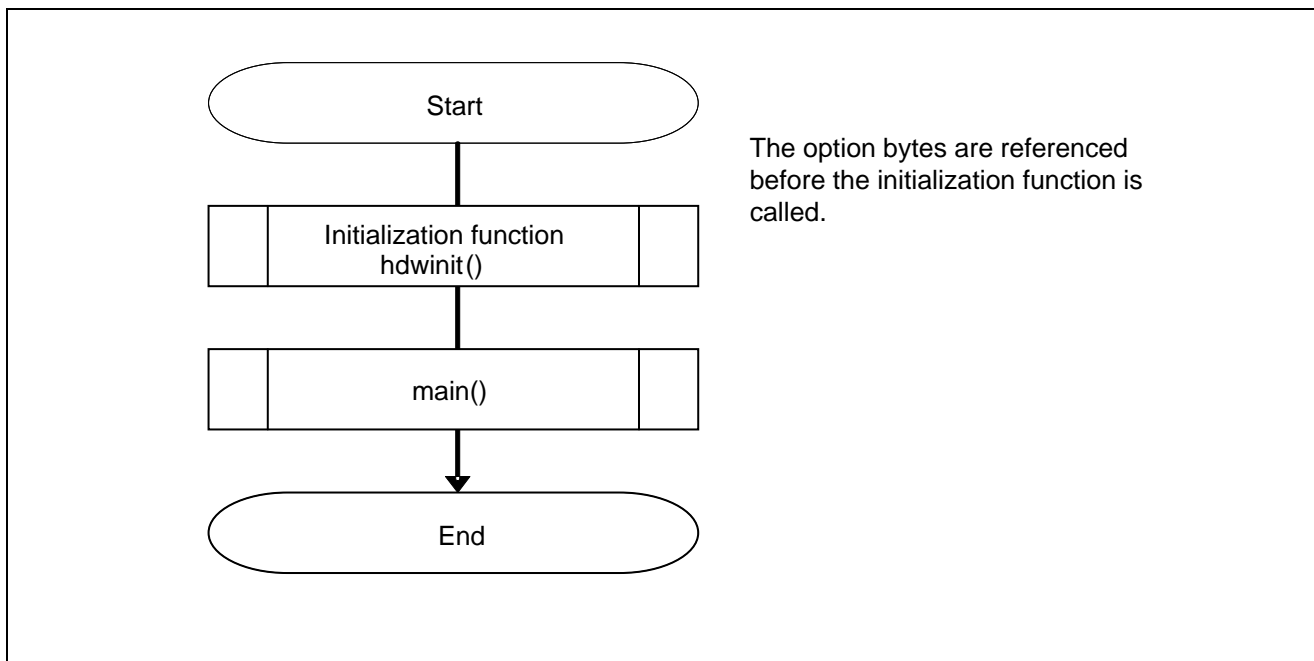


Figure 5.1 Overall Flow

5.7.1 Initialization Function

Figure 5.2 shows the flowchart for the initialization function.

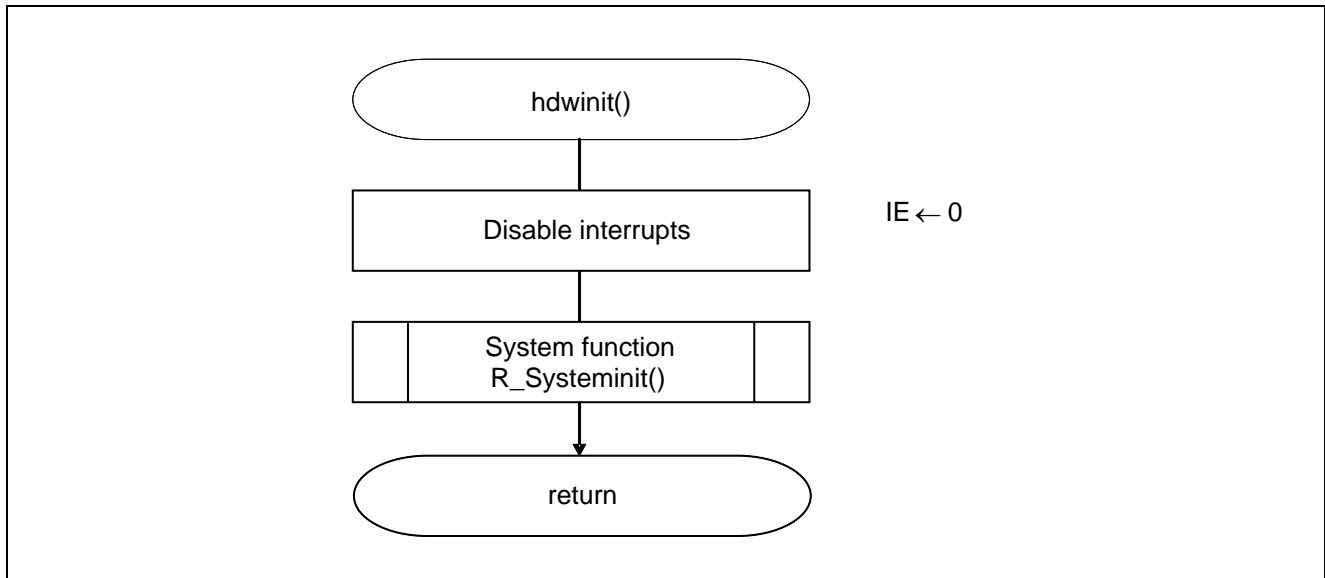


Figure 5.2 Initialization Function

5.7.2 System Initialization Function

Figure 5.2 shows the flowchart for the system initialization function.

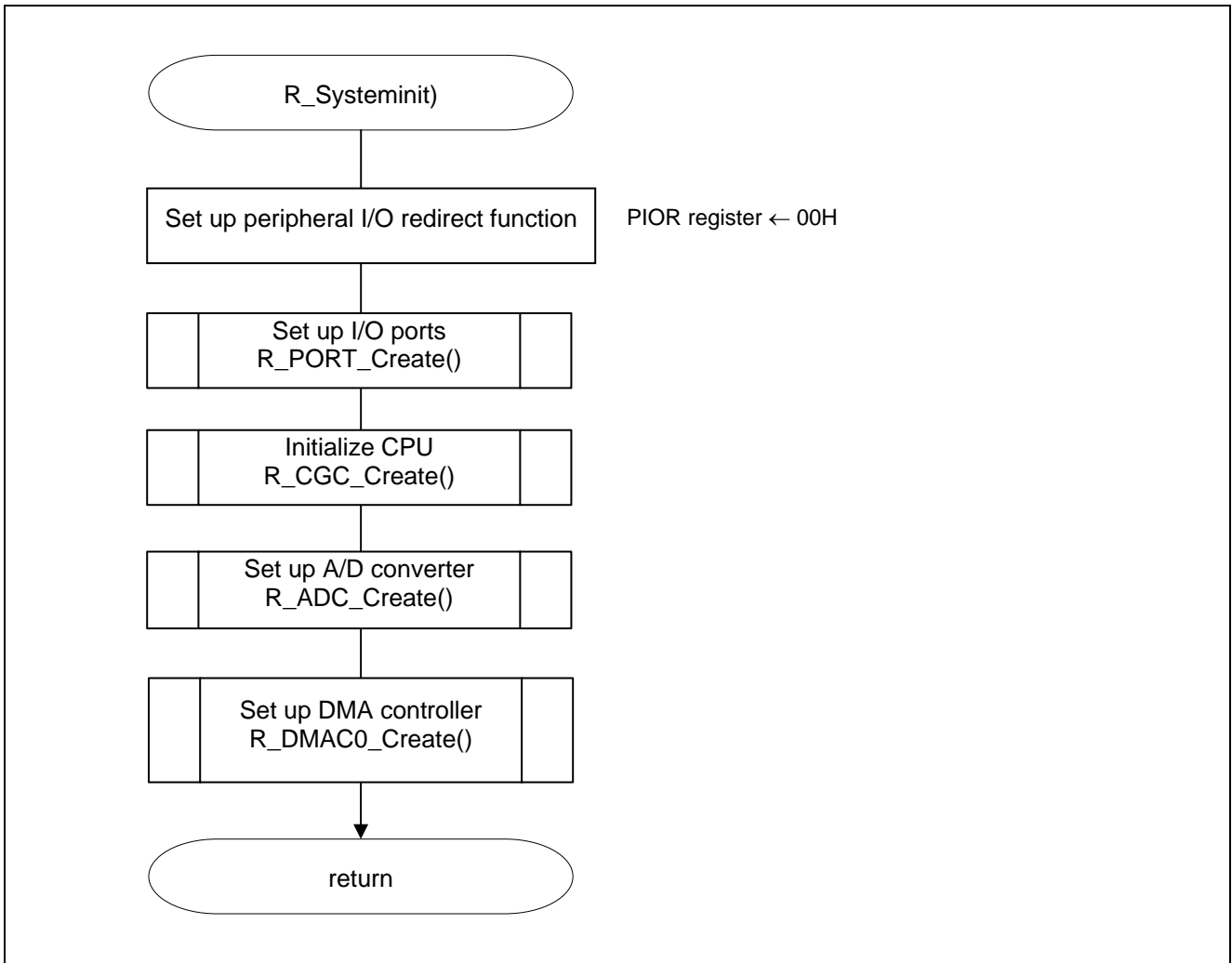


Figure 5.3 System Initialization Function

5.7.3 I/O Port Setup

Figure 5.4 shows the flowchart for I/O port setup.

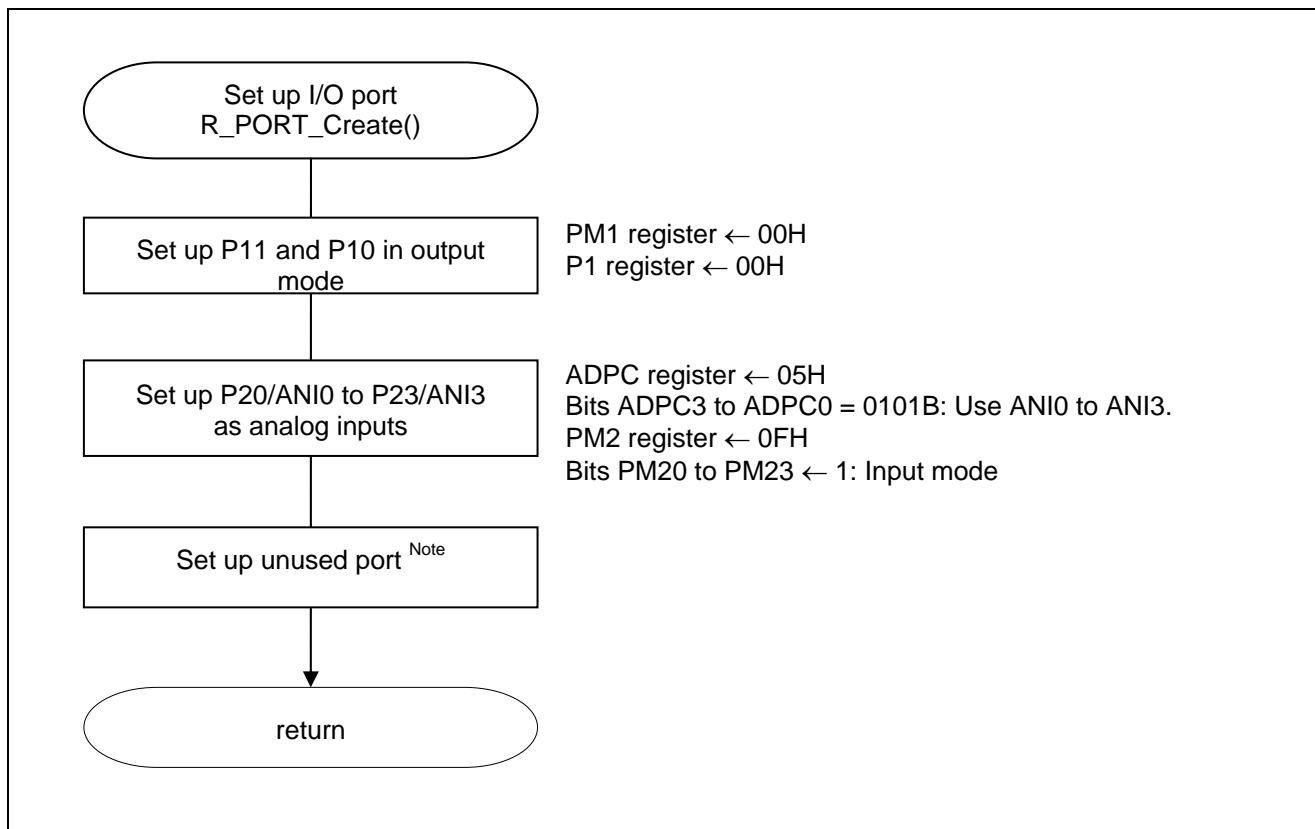


Figure 5.4 I/O Port Setup

Note: Refer to the section entitled "Flowcharts" in RL78/G13 Initialization Application Note (R01AN2575E) for the configuration of the unused ports.

Caution: Provide proper treatment for unused pins so that their electrical specifications are met. Connect each of any unused input-only ports to V_{DD} or V_{SS} via a separate resistor.

Setting up LED ports

- Port mode register 1 (PM1)

Symbol: PM1

7	6	5	4	3	2	1	0
PM17	PM16	PM15	PM14	PM13	PM12	PM11	PM10
0	0	0	0	0	0	0	0

Bit 1

PM11	P11 pin I/O mode selection
0	Output mode (output buffer on)
1	Input mode (output buffer off)

Bit 0

PM10	P10 pin I/O mode selection
0	Output mode (output buffer on)
1	Input mode (output buffer off)

Caution: For details on the register setup procedures, refer to RL78/G13 User's Manual: Hardware.

Setting up the channel to be used for A/D conversion

- A/D port configuration register (ADPC)
Switches between A/D converter analog input and port digital I/O.
- Port mode register 2 (PM2)
Selects the I/O mode of each port.

Symbol: ADPC

7	6	5	4	3	2	1	0
0	0	0	0	ADPC3	ADPC2	ADPC1	ADPC0
0	0	0	0	0	1	0	1

Bits 3 to 0

ADPC3	ADPC2	ADPC1	ADPC0	Available analog input
0	0	0	0	ANI0 to ANI14
0	0	0	1	None
0	0	1	0	ANI0
0	0	1	1	ANI0 and ANI1
0	1	0	0	ANI0 to ANI2
0	1	0	1	ANI0 to ANI3
0	1	1	0	ANI0 to ANI4
0	1	1	1	ANI0 to ANI5
1	0	0	0	ANI0 to ANI6
1	0	0	1	ANI0 to ANI7
1	0	1	0	ANI0 to ANI8
1	0	1	1	ANI0 to ANI9
1	1	0	0	ANI0 to ANI10
1	1	0	1	ANI0 to ANI11
1	1	1	0	ANI0 to ANI12
1	1	1	1	ANI0 to ANI13
Other than above				Setting prohibited

Symbol: PM2

7	6	5	4	3	2	1	0
PM27	PM26	PM25	PM24	PM23	PM22	PM21	PM20
x	x	x	x	1	1	1	1

Bits 3 to 0

PM23 to PM20	P23 to P20 I/O mode selection
0	Output mode (output buffer on)
1	Input mode (output buffer off)

Caution: For details on the register setup procedures, refer to RL78/G13 User's Manual: Hardware.

5.7.4 CPU Clock Setup

Figure 5.5 shows the flowchart for setting up the CPU clock.

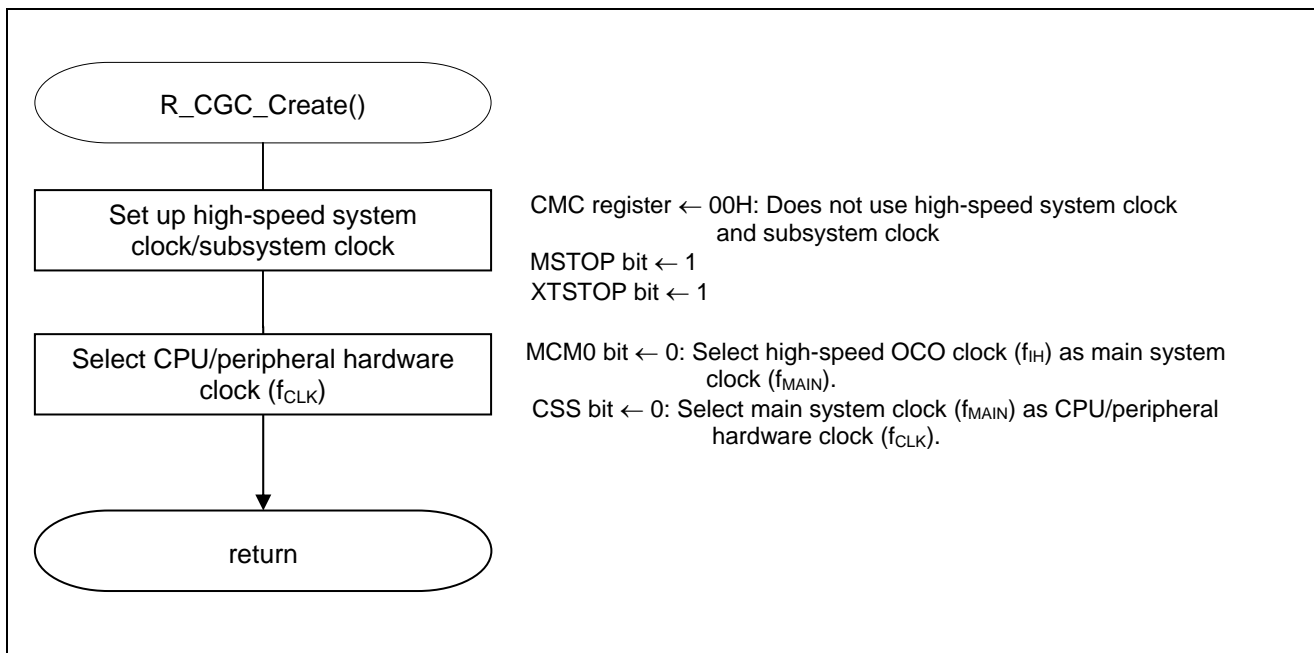


Figure 5.5 CPU Clock Setup

Caution: For details on the procedure for setting up the CPU clock (R_CGC_Create()), refer to the section entitled "Flowcharts" in RL78/G13 Initialization Application Note (R01AN2575E).

5.7.5 A/D Converter Setup

Figure 5.6 shows the flowchart for setting up the A/D converter.

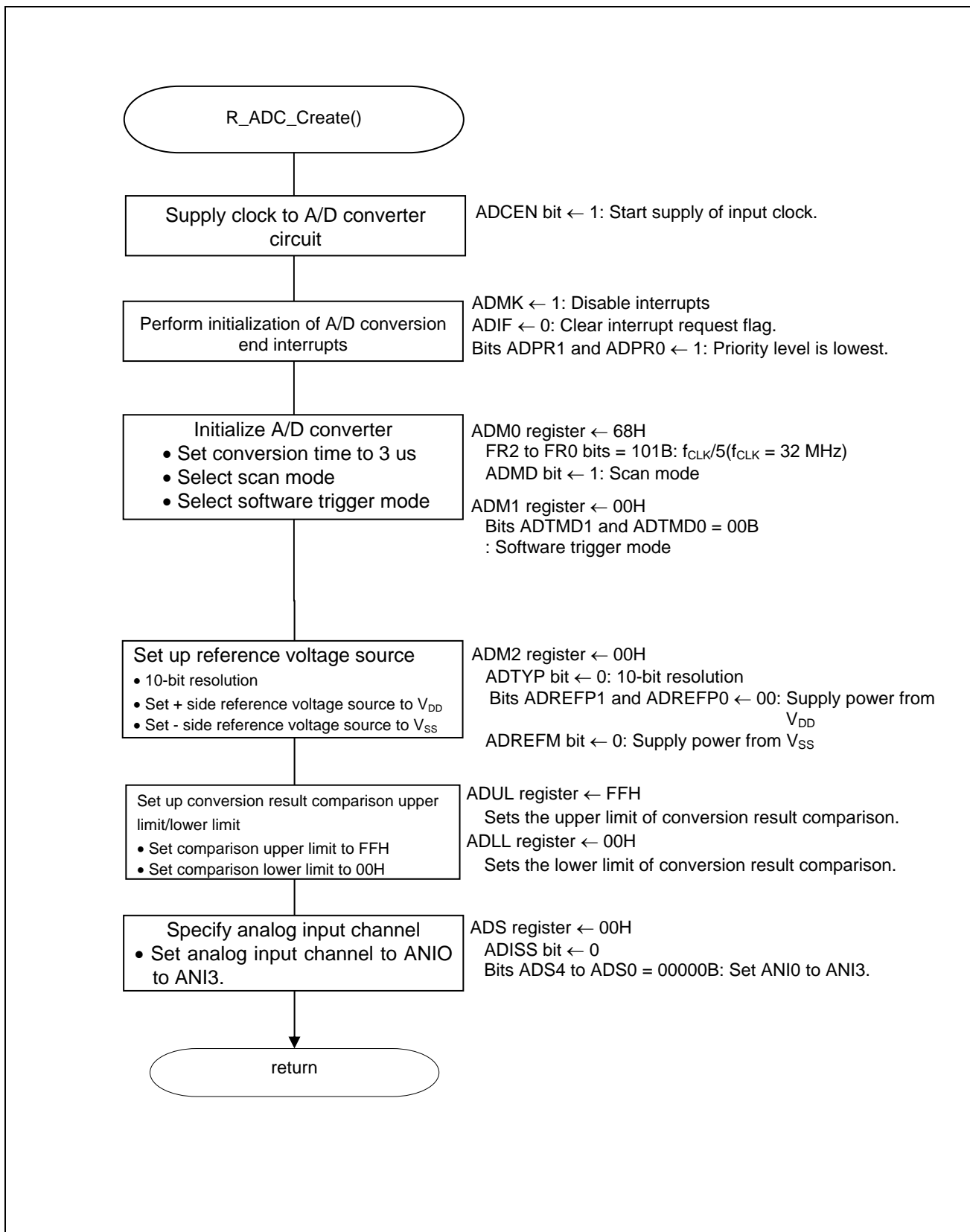


Figure 5.6 A/D Converter Setup

Starting the supply of clock to the A/D converter

- Peripheral enable register 0 (PER0)
Starts the supply of the clock to the A/D converter.

Symbol: PER0

7	6	5	4	3	2	1	0
RTCEN	IICA1EN	ADCEN	IICA0EN	SAU1EN	SAU0EN	TAU1EN	TAU0EN
x	x	1	x	x	x	x	x

Bit 5

ADCEN	A/D converter input clock control
0	Stops supply of input clock.
1	Starts supply of input clock.

Caution: For details on the register setup procedures, refer to RL78/G13 User's Manual: Hardware.

Controlling A/D conversion interrupt

- Interrupt mask flag register (MK1H)
- Interrupt request flag register (IF1H)
- Priority specification flag register (PR01H, PR11H)
Make settings for A/D conversion interrupts.

Symbol: MK1H

7	6	5	4	3	2	1	0
TMMK04	TMMK13	SRMK3 CSIMK31 IICMK31	STMK3 CSIMK30 IICMK30	KRMK	ITMK	RTCMK	ADMK
x	x	x	x	x	x	x	1

Bit 0

ADMK	Interrupt processing control
0	Enables interrupts.
1	Disables interrupts.

Symbol: IF1H

7	6	5	4	3	2	1	0
TMIF04	TMIF13	SRIF3 CSIF31 IICIF31	STIF3 CSIF30 IICIF30	KRIF	ITIF	RTCIF	ADIF
x	x	x	x	x	x	x	0

Bit 0

ADIF	Interrupt request flag
0	No interrupt request signal is generated
1	Interrupt request signal is generated, interrupt request status

Symbol: PR0IH

7	6	5	4	3	2	1	0
TMPR004	TMPR013	SRPR03 CSIPR031 IICPR031	STPR03 CSIPR030 IICPR030	KRPR0	ITPR0	RTCPR0	ADPR0
x	x	x	x	x	x	x	1

Symbol: PR1IH

7	6	5	4	3	2	1	0
TMPR104	TMPR113	SRPR13 CSIPR131 IICPR131	STPR13 CSIPR130 IICPR130	KRPR1	ITPR1	RTCPR1	ADPR1
x	x	x	x	x	x	x	1

Bit 0

ADPR0	ADPR1	Priority level selection
0	0	Specify level 0 (highest level)
0	1	Specify level 1
1	0	Specify level 2
1	1	Specify level 3 (lowest level)

Caution: For details on the register setup procedures, refer to RL78/G13 User's Manual: Hardware.

Setting up the A/D conversion time and operating mode

- A/D converter mode register 0 (ADM0)
Controls the A/D conversion.
Specifies the A/D channel selection mode.

Symbol: ADM0

7	6	5	4	3	2	1	0
ADCS	ADMD	FR2	FR1	FR0	LV1	LV0	ADCE
x	1	1	0	1	0	0	x

Bit 6

ADMD	A/D channel selection mode select
0	Select mode
1	Scan mode

Bits 5 to 1

ADM0					Mode	Conversion Time Selection						Conversion Clock (f _{AD})
FR2	FR1	FR0	LV1	LV0		f _{CLK} = 1 MHz	f _{CLK} = 2 MHz	f _{CLK} = 4 MHz	f _{CLK} = 8 MHz	f _{CLK} = 16 MHz	f _{CLK} = 32 MHz	
0	0	0	0	0	Standard 1	Setting prohibited	Setting prohibited	Setting prohibited	Setting prohibited	Setting prohibited	38 μs	f _{CLK} /64
0	0	1				38 μs	19 μs	9.5 μs	4.75 μs	2.375 μs	Setting prohibited	f _{CLK} /32
0	1	0										f _{CLK} /16
0	1	1				38 μs	19 μs	9.5 μs	4.75 μs	2.375 μs	Setting prohibited	f _{CLK} /8
1	0	0				28.5 μs	14.25 μs	7.125 μs	3.5625 μs	Setting prohibited	f _{CLK} /6	
1	0	1				23.75 μs	11.875 μs	5.938 μs	2.9688 μs	Setting prohibited	f _{CLK} /5	
1	1	0				38 μs	19 μs	9.5 μs	4.75 μs	2.375 μs	Setting prohibited	f _{CLK} /4
1	1	1				38 μs	19 μs	9.5 μs	4.75 μs	2.375 μs	Setting prohibited	f _{CLK} /2
0	0	0	0	1	Standard 2	Setting prohibited	Setting prohibited	Setting prohibited	Setting prohibited	Setting prohibited	34 μs	f _{CLK} /64
0	0	1				34 μs	17 μs	8.5 μs	4.25 μs	2.125 μs	Setting prohibited	f _{CLK} /32
0	1	0										f _{CLK} /16
0	1	1				34 μs	17 μs	8.5 μs	4.25 μs	2.125 μs	Setting prohibited	f _{CLK} /8
1	0	0				25.5 μs	12.75 μs	6.375 μs	3.1875 μs	Setting prohibited	f _{CLK} /6	
1	0	1				21.25 μs	10.625 μs	5.3125 μs	2.6536 μs	Setting prohibited	f _{CLK} /5	
1	1	0				34 μs	17 μs	8.5 μs	4.25 μs	2.125 μs	Setting prohibited	f _{CLK} /4
1	1	1				34 μs	17 μs	8.5 μs	4.25 μs	2.125 μs	Setting prohibited	f _{CLK} /2
x	x	x	1	0	Low voltage 1	Setting prohibited						—
x	x	x	1	1	Low voltage 2	Setting prohibited						—

Note: For details on the register setup procedures, refer to RL78/G13 User's Manual: Hardware.

Setting up the A/D conversion trigger mode

- A/D converter mode register 1 (ADM1)
Selects the A/D conversion trigger mode.
Selects the A/D conversion operating mode.

Symbol: ADM1

7	6	5	4	3	2	1	0
ADTMD1	ADTMD0	ADSCM	0	0	0	ADTRS1	ADTRS0
0	0	0	0	0	0	0	0

Bits 1 and 0

ADTRS1	ADTRS0	Selection of the hardware trigger signal
0	0	Do not use the hardware trigger.
0	1	End of timer channel 1 count or capture end interrupt signal (INTTM01)
1	0	Real-time clock interrupt signal (INTRTC)
1	1	Interval timer interrupt signal (INTIT)

Bit 5

ADSCM	Specification of the A/D conversion mode
0	Sequential conversion mode
1	One-shot conversion mode

Bits 7 and 6

ADTMD1	ADTMD0	Selection of the A/D conversion trigger mode
0	—	Software trigger mode
1	0	Hardware trigger no-wait mode
1	1	Hardware trigger wait mode

Caution: For details on the register setup procedures, refer to RL78/G13 User's Manual: Hardware.

Setting up the reference voltage

- A/D converter mode register 2 (ADM2)
Sets up the reference voltage source.

Symbol: ADM2

7	6	5	4	3	2	1	0
ADREFP1	ADREFP0	ADREFM	0	ADRCK	AWC	0	ADTYP
0	0	0	0	0	0	0	0

Bit 0

ADTYP	Selection of the A/D conversion resolution
0	10-bit resolution
1	8-bit resolution

Bit 2

AWC	Specification of the wakeup function (SNOOZE mode)
0	Do not use the SNOOZE mode function.
1	Use the SNOOZE mode function.

Bit 3

ADCRK	Checking the upper limit and lower limit conversion results
0	The interrupt signal (INTAD) is output when the ADLL register \leq the ADCR register \leq the ADUL register.
1	Interrupt signal (INTAD) is output when ADCR register < ADLL register and ADUL register < ADCR register.

Bit 5

ADREFM	Selection of the – side reference voltage source of the A/D converter
0	Supplied from V_{SS}.
1	Supplied from P21/AV _{REFM} /ANI1.

Bits 7 and 6

ADREFP1	ADREFP0	Selection of the + side reference voltage source of the A/D converter
0	0	Supplied from V_{DD}.
0	1	Supplied from P20/AV _{REFP} /ANI0.
1	0	Supplied from internal reference voltage (1.44 V).
1	1	Setting prohibited

Caution: For details on the register setup procedures, refer to RL78/G13 User's Manual: Hardware.

Setting up the conversion result comparison upper limit/lower limit

- Conversion result comparison upper limit setting register (ADUL)
- Conversion result comparison low limit setting register (ADLL)
Sets up the conversion result comparison upper and lower limits.

Symbol: ADUL

7	6	5	4	3	2	1	0
ADUL7	ADUL6	ADUL5	ADUL4	ADUL3	ADUL2	ADUL1	ADUL0
1	1	1	1	1	1	1	1

Symbol: ADLL

7	6	5	4	3	2	1	0
ADLL7	ADLL6	ADLL5	ADLL4	ADLL3	ADLL2	ADLL1	ADLL0
0	0	0	0	0	0	0	0

Specifying the input channel

- Analog input channel register (ADS)
Specifies the input channel for the analog signal targeted for A/D conversion.

Symbol: ADS

7	6	5	4	3	2	1	0
ADISS	0	0	ADS4	ADS3	ADS2	ADS1	ADS0
0	0	0	0	0	0	0	0

Bit 7, 4 to 0

ADISS	ADS4	ADS3	ADS2	ADS1	ADS0	Analog Input Channel			
						Scan 0	Scan 1	Scan 2	Scan 3
0	0	0	0	0	0	ANI0	ANI1	ANI2	ANI3
0	0	0	0	0	1	ANI1	ANI2	ANI3	ANI4
0	0	0	0	1	0	ANI2	ANI3	ANI4	ANI5
0	0	0	0	1	1	ANI3	ANI4	ANI5	ANI6
0	0	0	1	0	0	ANI4	ANI5	ANI6	ANI7
Other than above						Setting prohibited			

Caution: For details on the register setup procedures, refer to RL78/G13 User's Manual: Hardware.

Disabling DMA channel 0

- DMA operation control register (DRC0)

Symbol: DRC0

7	6	5	4	3	2	1	0
DEN0	0	0	0	0	0	0	DST0
1/0	0	0	0	0	0	0	0

Bit 7

DEN0	DMA operation enable flag
0	Disables DMA channel 0 (stops operating clock of DMA). Disables DMA setup processing.
1	Enables DMA channel 0. Enables DMA setup processing.

Bit 0

DST0	DMA transfer mode flag
0	DMA transfer of DMA channel 0 is completed.
1	DMA transfer of DMA channel 0 is not completed (still under execution).

Initialization for DMA transfer end interrupts

- Interrupt request flag register (IF0H)
Clear interrupt request flag.
- Interrupt mask flag register (MK0H)
Clear interrupt mask.
- Priority specification flag register (PR00H, PR10H)
Interrupt level: Level 3 (lowest level)

Symbol: IF0H

7	6	5	4	3	2	1	0
SREIF0 TMIF01H	SRIF0 CSIF01 IICIF01	STIF0 CSIF00 IICIF00	DMAIF1	DMAIF0	SREIF2 TMIF11H	SRIF2 CSIF21 IICIF21	STIF2 CSIF20 IICIF20
x	x	x	x	0	x	x	x

Bit 3

DMAIF0	Interrupt request flag
0	No interrupt request signal is generated
1	Interrupt request is generated, interrupt request status

Symbol: MK0H

7	6	5	4	3	2	1	0
SREMK0	SRMK0	STMK0			SREMK2	SRMK2	STMK2
TMMK01	CSIMK01	CSIMK00	DMAMK1	DMAMK0	TMMK11	CSIMK21	CSIMK20
H	IICMK01	IICMK00			H	IICMK21	IICMK20
x	x	x	x	1	x	x	x

Bit 3

DMAMK0	Interrupt processing control
0	Enables interrupts.
1	Disables interrupts.

Symbol: PR00H

7	6	5	4	3	2	1	0
SREPR00	SRPR00	STPR00			SREPR02	SRPR02	STPR02
TMPR001	CSIPR001	CSIPR000	DMAPR01	DMAPR00	TMPR011	CSIPR021	CSIPR020
H	IICPR001	IICPR000			H	IICPR021	IICPR020
x	x	x	x	1	x	x	x

Symbol: PR10H

7	6	5	4	3	2	1	0
SREPR10	SRPR10	STPR10			SREPR12	SRPR12	STPR12
TMPR101	CSIPR101	CSIPR100	DMAPR11	DMAPR10	TMPR111	CSIPR121	CSIPR120
H	IICPR101	IICPR100			H	IICPR121	IICPR120
x	x	x	x	1	x	x	x

Bit 3

DMAPR10	DMAPR00	Priority level selection
0	0	Specify level 0 (highest level)
0	1	Specify level 1
1	0	Specify level 2
1	1	Specify level 3 (lowest level)

Caution: For details on the register setup procedures, refer to RL78/G13 User's Manual: Hardware.

Setting up DMA channel 0 transfer mode

- DMA mode control register (DMC0)
Set DMA transfer direction to SFR to on-chip RAM.
Set transfer data size to 16 bits.
Specify DMA transfer on DMA startup request.
Select UART0 transfer end interrupt as DMA startup source.

Symbol: DMC0

7	6	5	4	3	2	1	0
STG0	DRS0	DS0	DWAIT0	IFC03	IFC02	IFC01	IFC00
0	0	0	0	0	1	1	1

Bit 6

DRS0	Selection of DMA transfer direction
0	SFR to on-chip RAM
1	On-chip RAM to SFR

Bit 5

DS0	Specification of transfer data size for DMA transfer
0	8 bits
1	16 bits

Caution: For details on the register setup procedures, refer to RL78/G13 User's Manual: Hardware.

Bit 4

DWAIT0	Pending of DMA transfer
0	Executes DMA transfer upon DMA start request (not held pending).
1	Holds DMA start request pending if any.

Bits 3 to 0

IFC03	IFC02	IFC01	IFC00	Selection of DMA start source	
				Trigger Signal	Trigger contents
0	0	0	0	—	Disable DMA transfer by interrupt. (Only software trigger is allowed.)
0	0	0	1	INTAD	A/D conversion end interrupt
0	0	1	0	INTTM00	End of timer channel 0 count end or capture interrupt
0	0	1	1	INTTM01	End of timer channel 1 count end or capture interrupt
0	1	0	0	INTTM02	End of timer channel 2 count end or capture interrupt
0	1	0	1	INTTM03	End of timer channel 3 count end or capture interrupt
0	1	1	0	INTST0/INTCSI00	UART0 transmission transfer end or buffer empty interrupt/CSI00 transfer end or buffer empty interrupt
0	1	1	1	INTSR0/INTCSI01	UART0 reception transfer end interrupt/CSI01 transfer end, or buffer empty interrupt
1	0	0	0	INTST1/INTCSI10	UART1 transmission transfer end, buffer empty interrupt/CSI10 transfer end, or buffer empty interrupt
1	0	0	1	INTSR1/INTCSI11	UART1 reception transfer end interrupt/CSI11 transfer end or buffer empty interrupt
1	0	1	0	INTST2/INTCSI20	UART2 transmission transfer end interrupt/CSI20 transfer end or buffer empty interrupt
1	0	1	1	INTSR2/INTCSI21	UART2 reception transfer end interrupt/CSI21 transfer end or buffer empty interrupt
Other than above				Setting prohibited	

Setting up SFR for source of DMA channel 0 transfer

- DMA SFR address register 0 (DSA0)
Set SFR for the source of DMA transfer to ADCR (0x1E).

Symbol: DSA0

7	6	5	4	3	2	1	0
0	0	0	1	1	1	1	0

Caution: For details on the register setup procedures, refer to RL78/G13 User's Manual: Hardware.

5.7.7 User's Initialization Function

Figure 5.8 shows the flowchart for the user's initialization function.

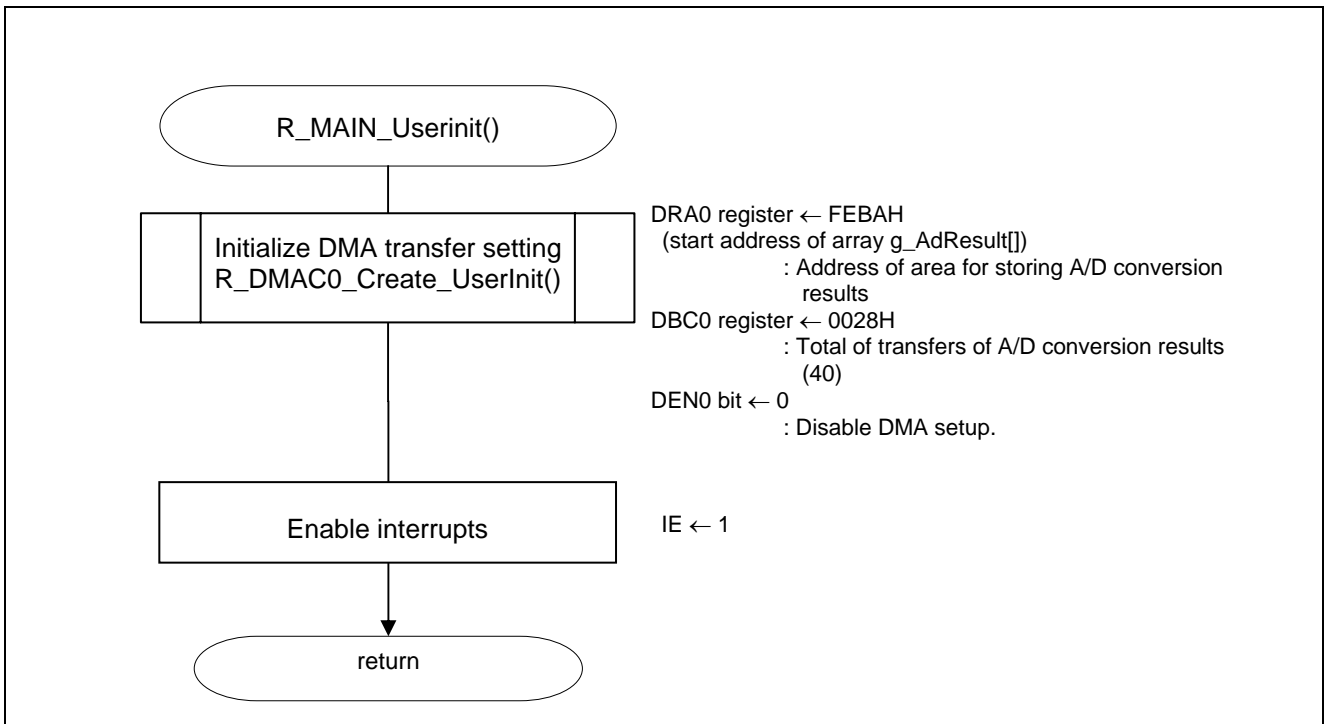
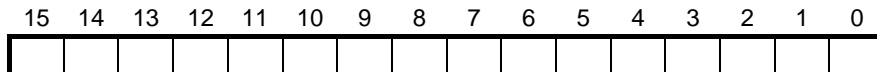


Figure 5.8 User's Initialization Function

Setting up DMA channel 0 destination RAM address

- DMA RAM address register 0 (DRA0)
Set up the RAM address of DMA transfer destination.

Symbol: DRA0



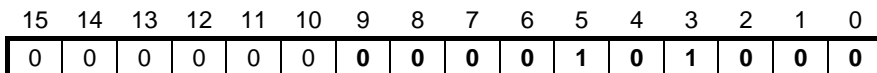
Set up the start address of array g_AdResult[].

Caution: For details on the register setup procedures, refer to RL78/G13 User's Manual: Hardware.

Setting up DMA channel 0 transfer count

- DMA byte count register 0 (DBC0)
Specify DMA transfer count.

Symbol: DBC0



Set the number of DMA transfers to 40 times.

Caution: For details on the register setup procedures, refer to RL78/G13 User's Manual: Hardware.

5.7.8 Main Processing

Figure 5.9 shows the flowchart for the main processing.

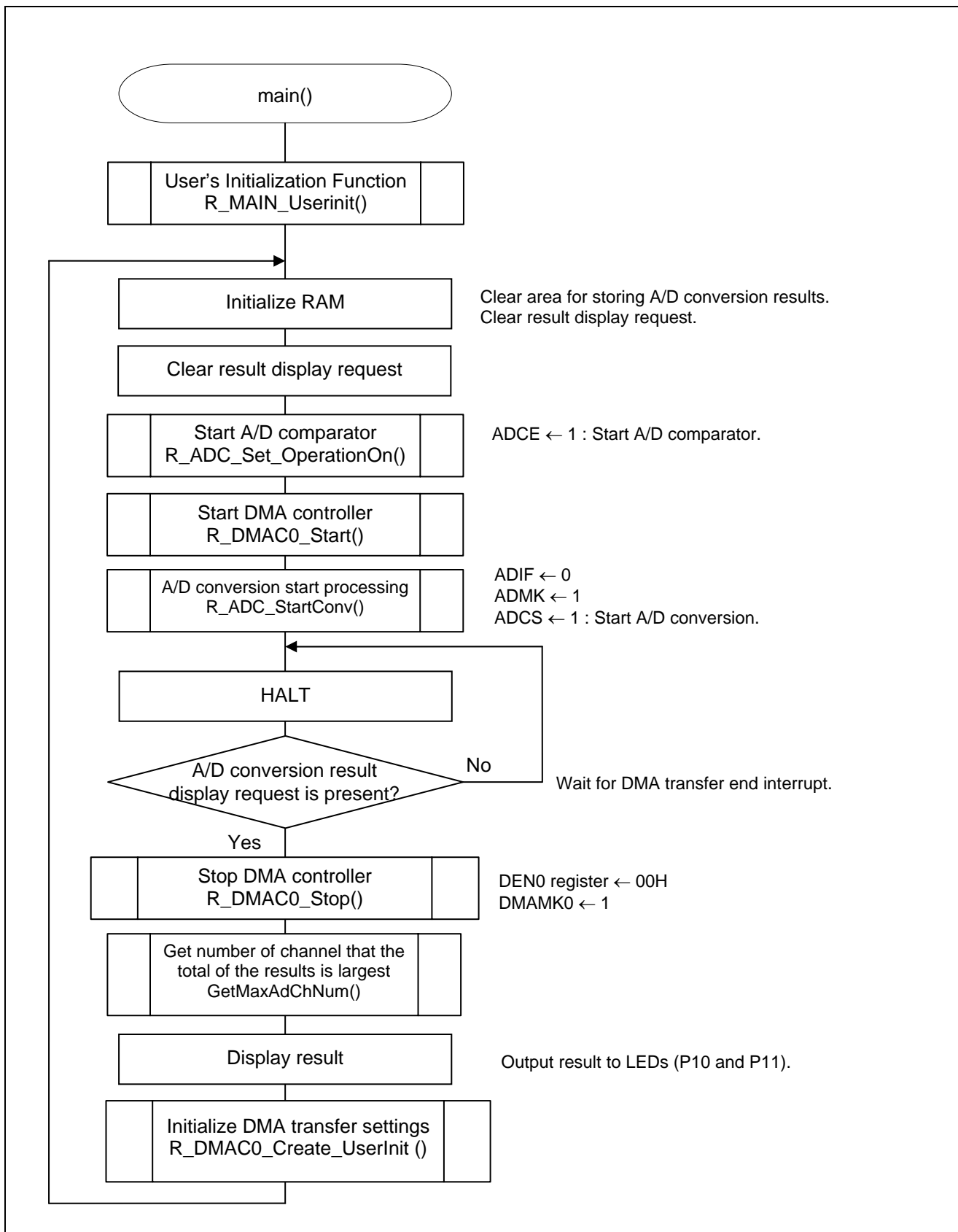


Figure 5.9 Main Processing

5.7.9 Enabling the A/D Voltage Comparator

Figure 5.10 shows the flowchart for enabling the A/D voltage comparator.

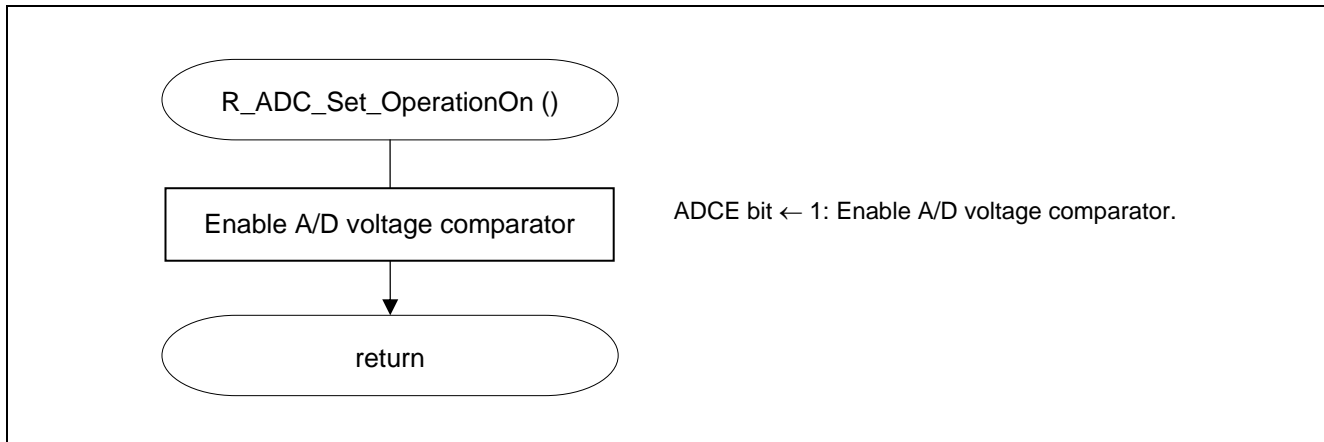


Figure 5.10 Enabling the A/D Voltage Comparator

5.7.10 Starting the DMA Controller

Figure 5.11 shows the flowchart for starting the DMA controller.

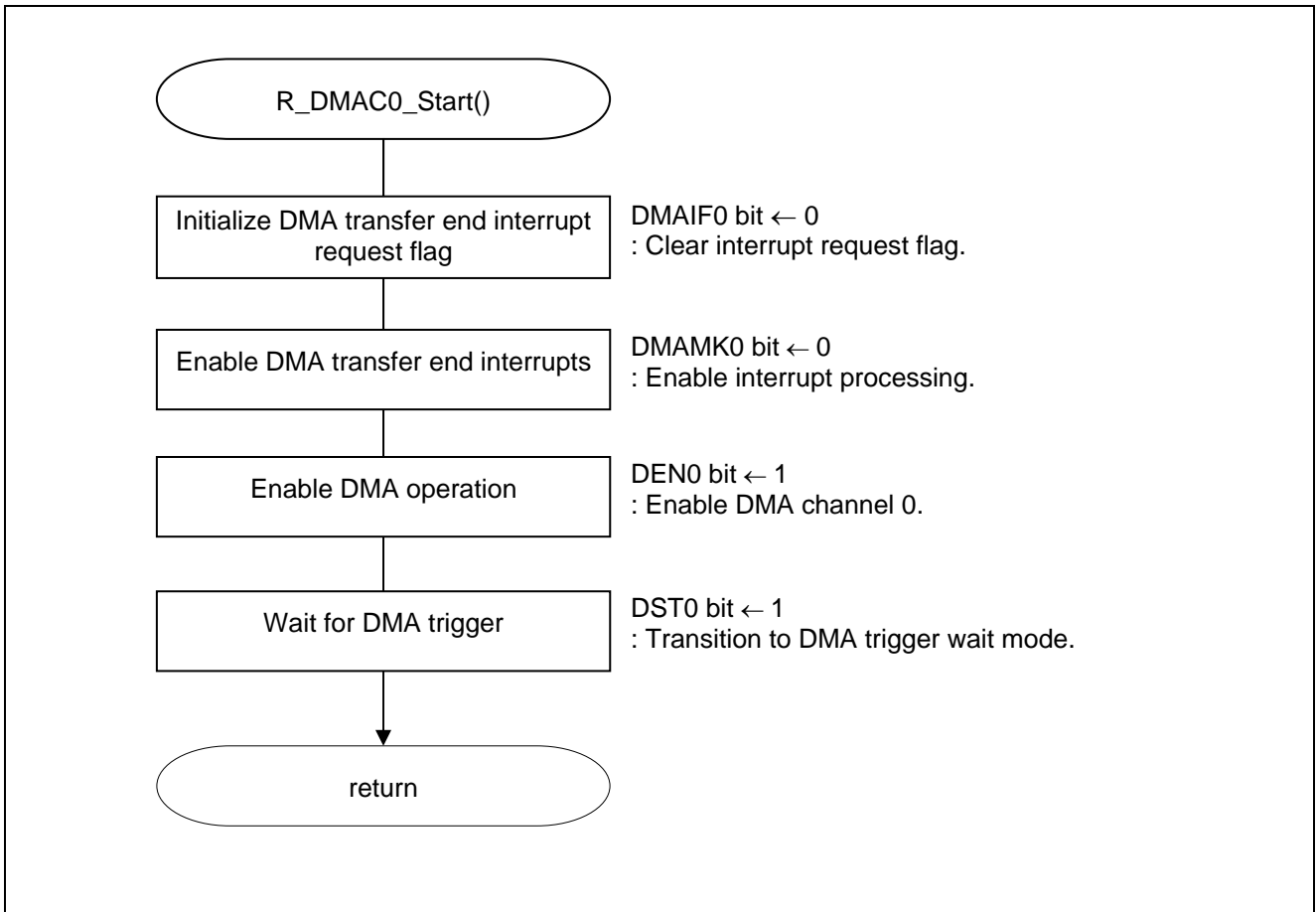


Figure 5.11 Starting the DMA Controller

Preparing for enabling DMA transfer end interrupts

- Interrupt request flag register (IF0H)
Clear interrupt request flag.
- Interrupt mask flag register (MK0H)
Clear interrupt mask.

Symbol: IF0H

7	6	5	4	3	2	1	0
SREIF0 TMIF01H	SRIF0 CSIF01 IICIF01	STIF0 CSIF00 IICIF00	DMAIF1	DMAIF0	SREIF2 TMIF11H	SRIF2 CSIF21 IICIF21	STIF2 CSIF20 IICIF20
x	x	x	x	0	x	x	x

Bit 3

DMAIF0	Interrupt request flag
0	No interrupt request signal is generated
1	Interrupt request is generated, interrupt request status

Symbol: MKH

7	6	5	4	3	2	1	0
SREMK0 TMMK01H	SRMK0 CSIMK01 IICMK01	STMK0 CSIMK00 IICMK00	DMAMK 1	DMAMK 0	SREMK2 TMMK11 H	SRMK2 CSIMK21 IICMK21	STMK2 CSIMK20 IICMK20
x	x	x	x	0	x	x	x

Bit 3

DMAMK0	Interrupt processing control
0	Enables interrupts.
1	Disables interrupts.

Setting up DMA channel 0 operation trigger wait mode

- DMA operation control register (DRC0)

Symbol: DRC0

	7	6	5	4	3	2	1	0
DEN0	0	0	0	0	0	0	0	DST0
	1	0	0	0	0	0	0	1

Bit 7

DEN0	DMA operation enable flag
0	Disables operation of DMA channel 0 (stop DMA operation clock). Disables DMA setup processing.
1	Enables operation of DMA channel 0. Enables DMA setup processing.

Bit 0

DST0	DMA transfer mode flag
0	DMA transfer of DMA channel 0 is completed.
1	DMA transfer of DMA channel 0 is not completed (still under execution).

DMAC waits for a DMA trigger when DST0 = 1 after DMA operation is enabled (DEN0 = 1).

5.7.11 Starting A/D Conversion

Figure 5.12 shows the flowchart for starting A/D conversion.

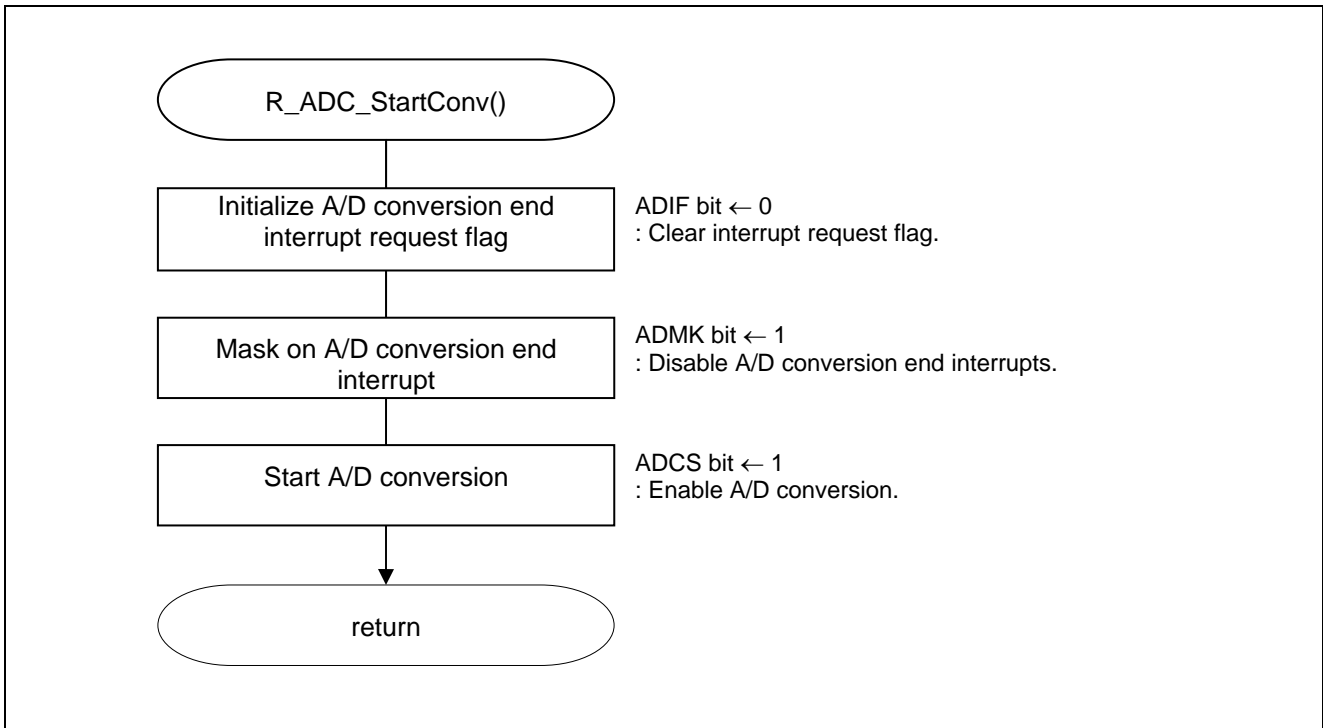


Figure 5.12 Starting A/D Conversion

5.7.12 Stopping the DMA Controller

Figure 5.13 shows the flowchart for stopping the DMA controller.

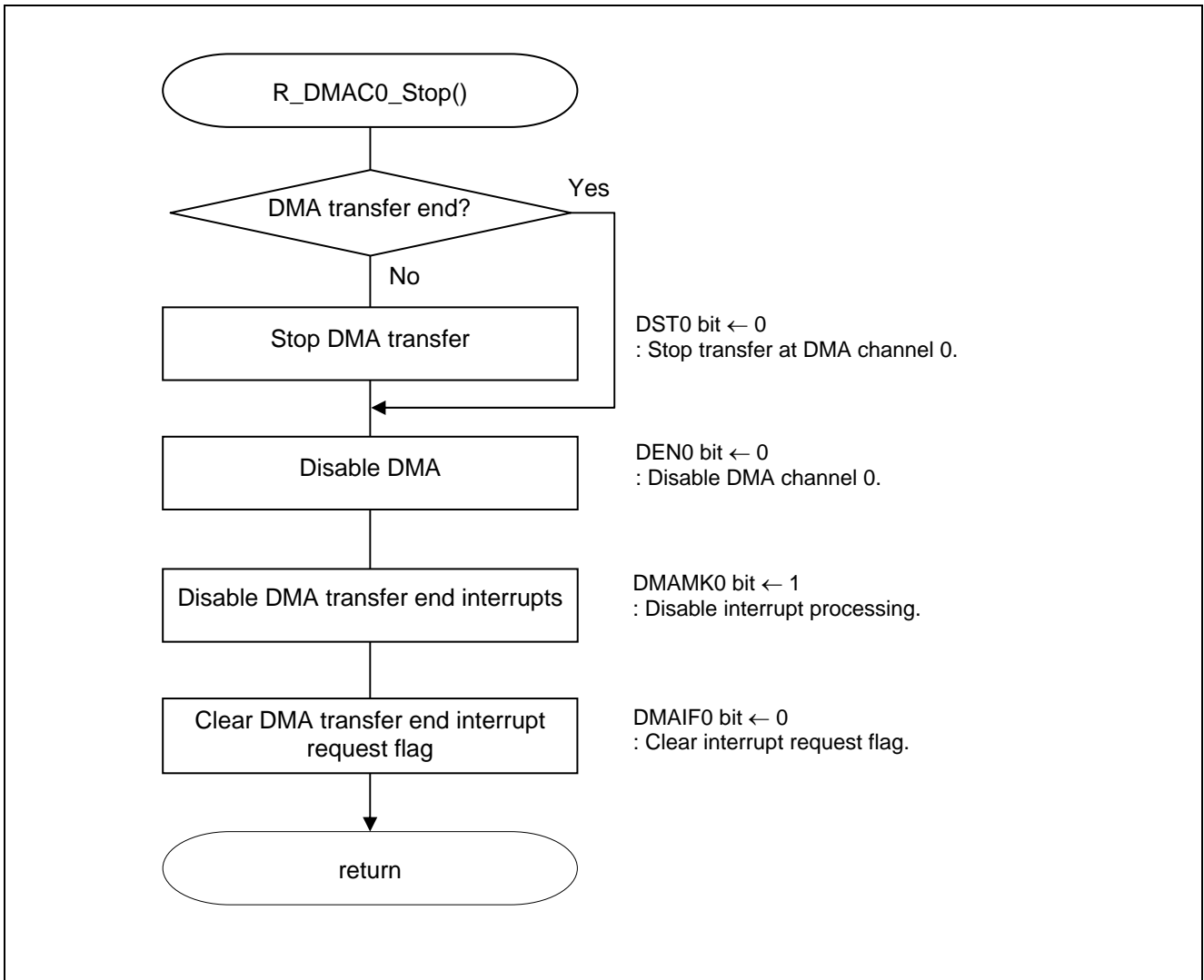


Figure 5.13 Stopping the DMA Controller

5.7.13 Getting the Number of the Channel that has the Largest Total of the A/D Conversion Results

Figure 5.14 shows the flowchart for getting the number of the channel that has the largest total of A/D conversion results.

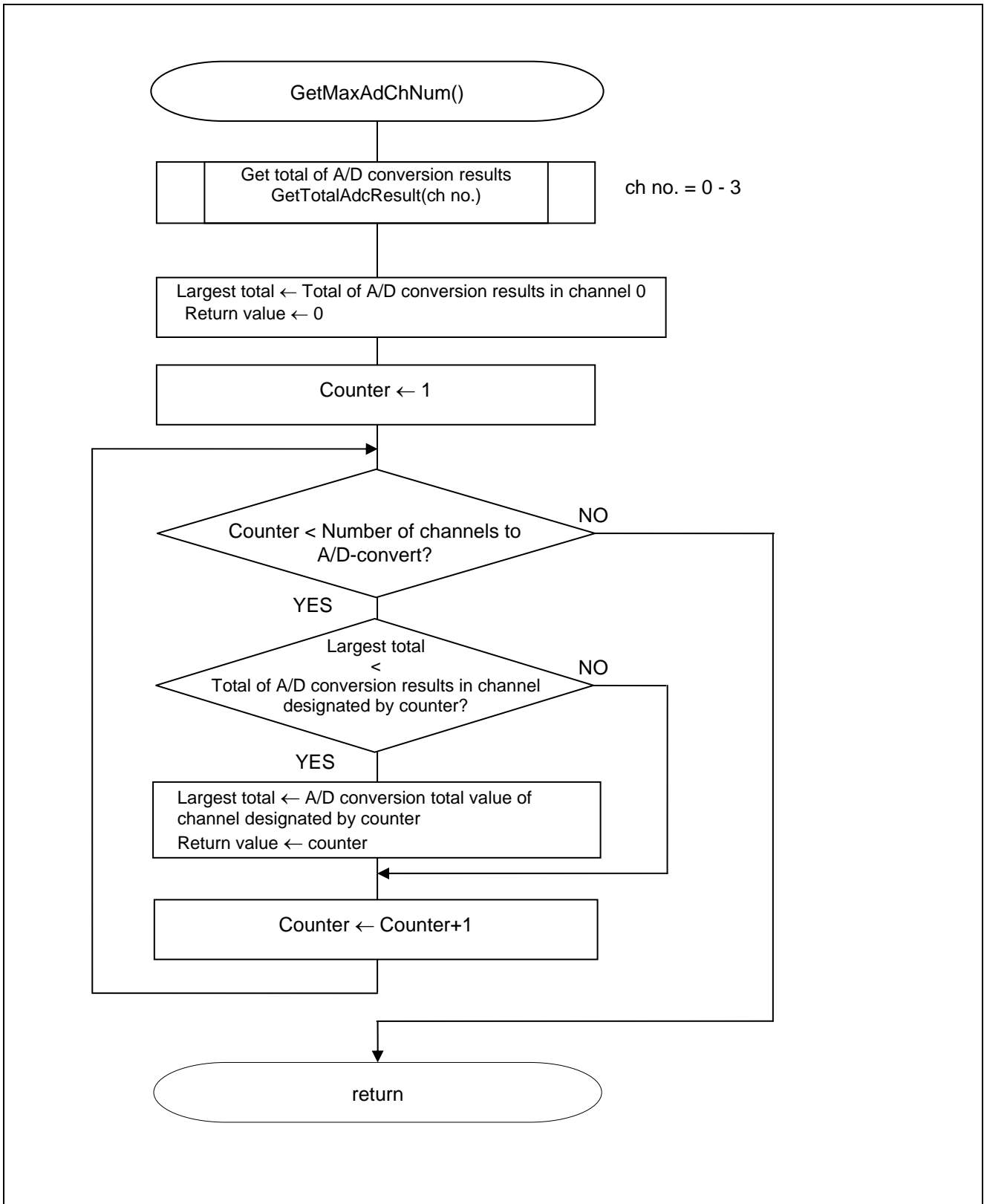


Figure 5.14 Getting the Number of the Channel that the has the Largest Total of A/D Conversion Results

5.7.14 Getting the Total of A/D Conversion Results

Figure 5.15 shows the flowchart for getting the total of A/D conversion results.

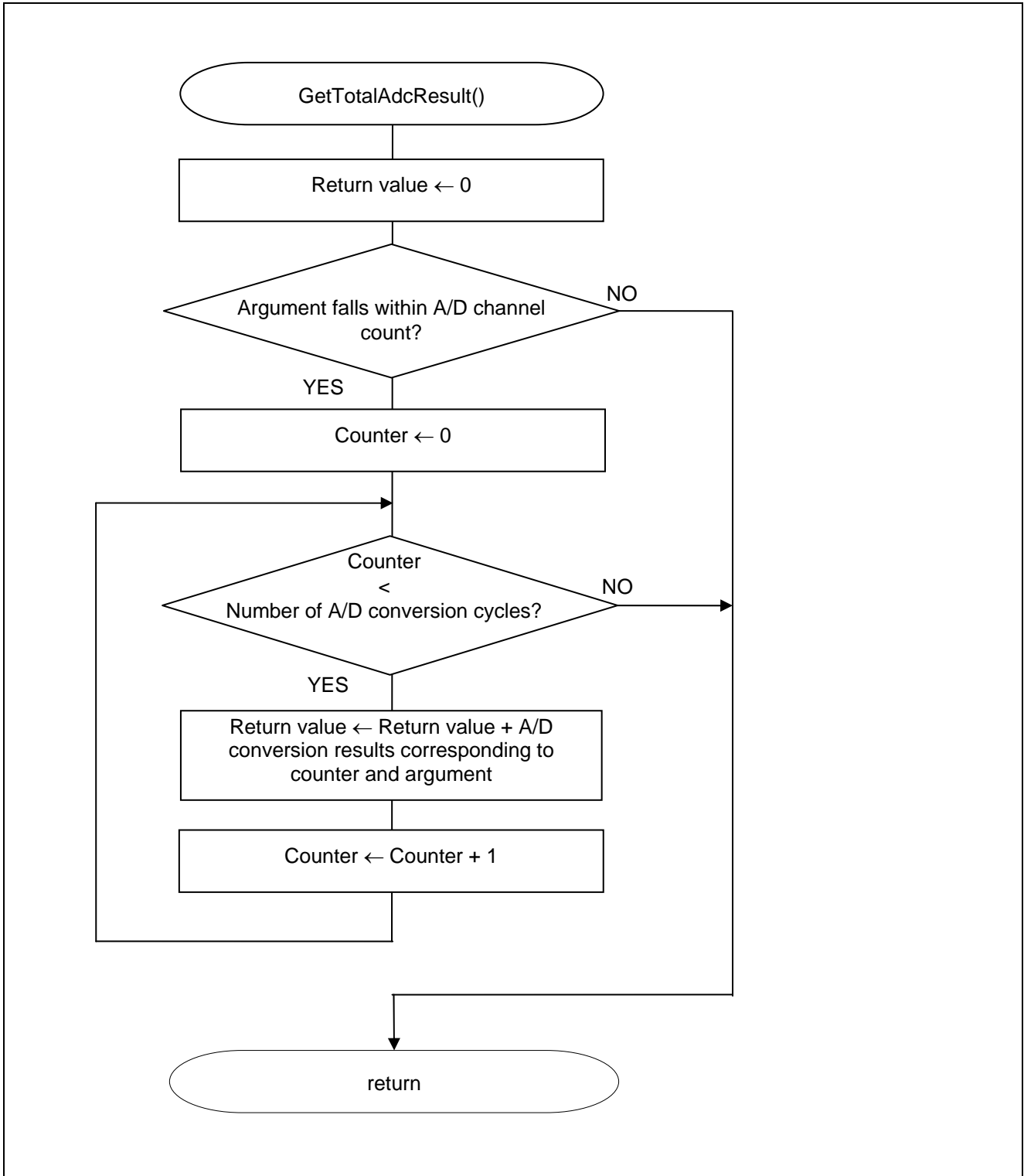


Figure 5.15 Getting the Total of A/D Conversion Results

5.7.15 DMA Transfer End Interrupt Processing

Figure 5.16 shows the flowchart for the DMA transfer end interrupt processing.

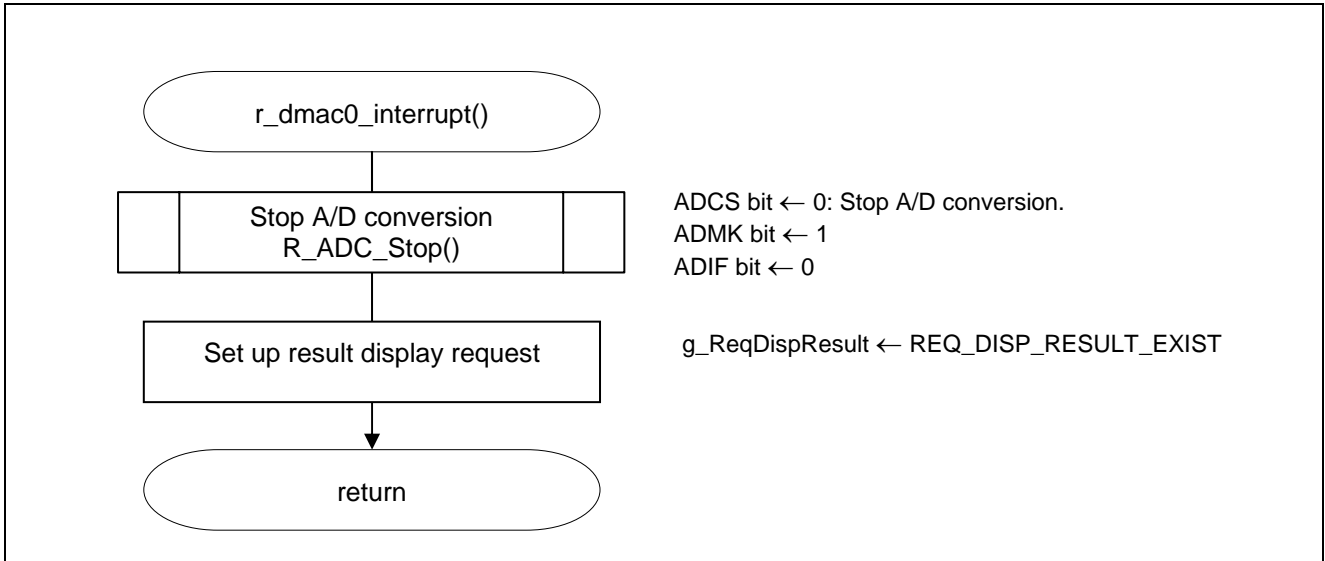


Figure 5.16 DMA Transfer End Interrupt Processing

5.7.16 Stopping A/D Conversion

Figure 5.17 shows the flowchart for stopping A/D conversion.

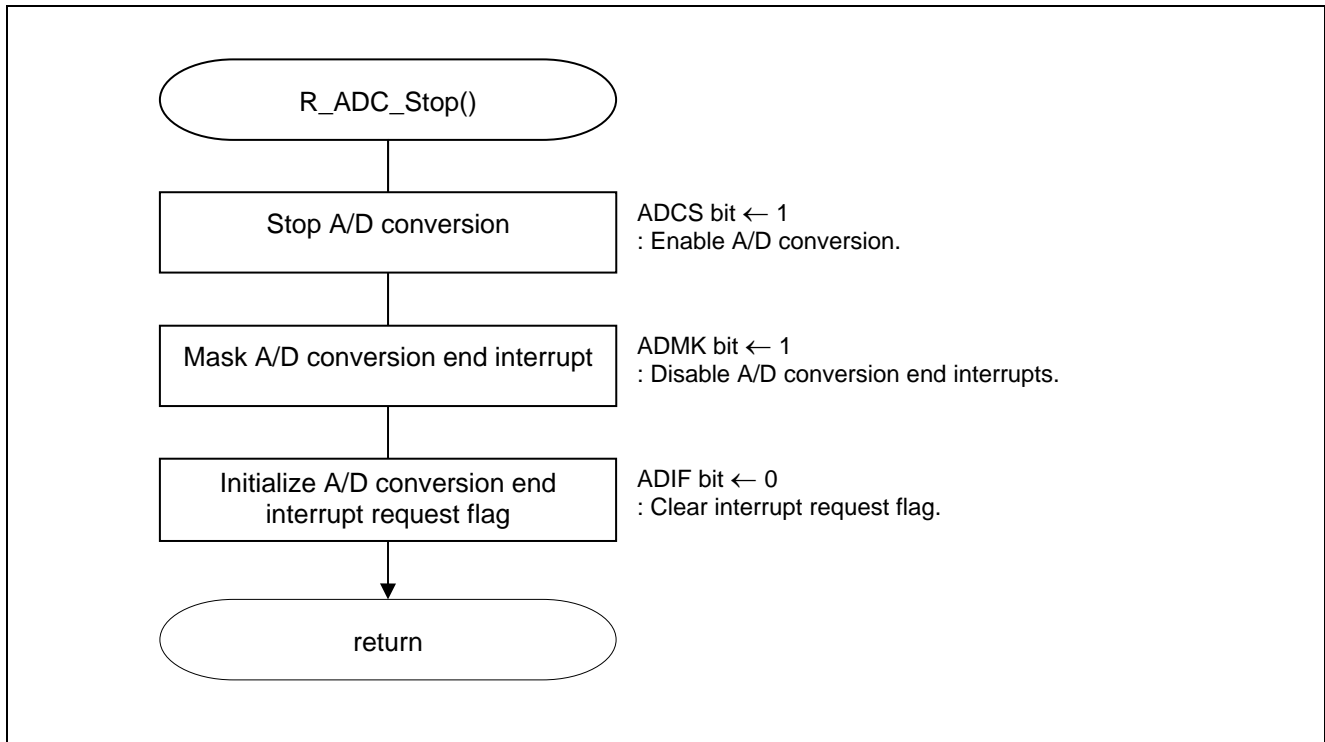


Figure 5.17 Stopping A/D Conversion

6. Sample Code

The sample code is available on the Renesas Electronics Website.

7. Documents for Reference

RL78/G13 User's Manual: Hardware (R01UH0146E)

RL78 Family User's Manual: Software (R01US0015E)

(The latest versions of the documents are available on the Renesas Electronics Website.)

Technical Updates/Technical Brochures

(The latest versions of the documents are available on the Renesas Electronics Website.)

Website and Support

Renesas Electronics Website

- <http://www.renesas.com/index.jsp>

Inquiries

- <http://www.renesas.com/contact/>

Revision Record	RL78/G13 DMA Controller (A/D Converter in Sequential Conversion Mode)
-----------------	---

Rev.	Date	Description	
		Page	Summary
1.00	Apr. 16, 2015	—	First edition issued

All trademarks and registered trademarks are the property of their respective owners.

General Precautions in the Handling of MPU/MCU Products

The following usage notes are applicable to all MPU/MCU products from Renesas. For detailed usage notes on the products covered by this document, refer to the relevant sections of the document as well as any technical updates that have been issued for the products.

1. Handling of Unused Pins

Handle unused pins in accordance with the directions given under Handling of Unused Pins in the manual.

- The input pins of CMOS products are generally in the high-impedance state. In operation with an unused pin in the open-circuit state, extra electromagnetic noise is induced in the vicinity of LSI, an associated shoot-through current flows internally, and malfunctions occur due to the false recognition of the pin state as an input signal become possible. Unused pins should be handled as described under Handling of Unused Pins in the manual.

2. Processing at Power-on

The state of the product is undefined at the moment when power is supplied.

- The states of internal circuits in the LSI are indeterminate and the states of register settings and pins are undefined at the moment when power is supplied.

In a finished product where the reset signal is applied to the external reset pin, the states of pins are not guaranteed from the moment when power is supplied until the reset process is completed. In a similar way, the states of pins in a product that is reset by an on-chip power-on reset function are not guaranteed from the moment when power is supplied until the power reaches the level at which resetting has been specified.

3. Prohibition of Access to Reserved Addresses

Access to reserved addresses is prohibited.

- The reserved addresses are provided for the possible future expansion of functions. Do not access these addresses; the correct operation of LSI is not guaranteed if they are accessed.

4. Clock Signals

After applying a reset, only release the reset line after the operating clock signal has become stable. When switching the clock signal during program execution, wait until the target clock signal has stabilized.

- When the clock signal is generated with an external resonator (or from an external oscillator) during a reset, ensure that the reset line is only released after full stabilization of the clock signal. Moreover, when switching to a clock signal produced with an external resonator (or by an external oscillator) while program execution is in progress, wait until the target clock signal is stable.

5. Differences between Products

Before changing from one product to another, i.e. to a product with a different part number, confirm that the change will not lead to problems.

- The characteristics of an MPU or MCU in the same group but having a different part number may differ in terms of the internal memory capacity, layout pattern, and other factors, which can affect the ranges of electrical characteristics, such as characteristic values, operating margins, immunity to noise, and amount of radiated noise. When changing to a product with a different part number, implement a system-evaluation test for the given product.

Notice

1. Descriptions of circuits, software and other related information in this document are provided only to illustrate the operation of semiconductor products and application examples. You are fully responsible for the incorporation of these circuits, software, and information in the design of your equipment. Renesas Electronics assumes no responsibility for any losses incurred by you or third parties arising from the use of these circuits, software, or information.
2. Renesas Electronics has used reasonable care in preparing the information included in this document, but Renesas Electronics does not warrant that such information is error free. Renesas Electronics assumes no liability whatsoever for any damages incurred by you resulting from errors in or omissions from the information included herein.
3. Renesas Electronics does not assume any liability for infringement of patents, copyrights, or other intellectual property rights of third parties by or arising from the use of Renesas Electronics products or technical information described in this document. No license, express, implied or otherwise, is granted hereby under any patents, copyrights or other intellectual property rights of Renesas Electronics or others.
4. You should not alter, modify, copy, or otherwise misappropriate any Renesas Electronics product, whether in whole or in part. Renesas Electronics assumes no responsibility for any losses incurred by you or third parties arising from such alteration, modification, copy or otherwise misappropriation of Renesas Electronics product.
5. Renesas Electronics products are classified according to the following two quality grades: "Standard" and "High Quality". The recommended applications for each Renesas Electronics product depends on the product's quality grade, as indicated below.
"Standard": Computers; office equipment; communications equipment; test and measurement equipment; audio and visual equipment; home electronic appliances; machine tools; personal electronic equipment; and industrial robots etc.
"High Quality": Transportation equipment (automobiles, trains, ships, etc.); traffic control systems; anti-disaster systems; anti-crime systems; and safety equipment etc.
Renesas Electronics products are neither intended nor authorized for use in products or systems that may pose a direct threat to human life or bodily injury (artificial life support devices or systems, surgical implantations etc.), or may cause serious property damages (nuclear reactor control systems, military equipment etc.). You must check the quality grade of each Renesas Electronics product before using it in a particular application. You may not use any Renesas Electronics product for any application for which it is not intended. Renesas Electronics shall not be in any way liable for any damages or losses incurred by you or third parties arising from the use of any Renesas Electronics product for which the product is not intended by Renesas Electronics.
6. You should use the Renesas Electronics products described in this document within the range specified by Renesas Electronics, especially with respect to the maximum rating, operating supply voltage range, movement power voltage range, heat radiation characteristics, installation and other product characteristics. Renesas Electronics shall have no liability for malfunctions or damages arising out of the use of Renesas Electronics products beyond such specified ranges.
7. Although Renesas Electronics endeavors to improve the quality and reliability of its products, semiconductor products have specific characteristics such as the occurrence of failure at a certain rate and malfunctions under certain use conditions. Further, Renesas Electronics products are not subject to radiation resistance design. Please be sure to implement safety measures to guard them against the possibility of physical injury, and injury or damage caused by fire in the event of the failure of a Renesas Electronics product, such as safety design for hardware and software including but not limited to redundancy, fire control and malfunction prevention, appropriate treatment for aging degradation or any other appropriate measures. Because the evaluation of microcomputer software alone is very difficult, please evaluate the safety of the final products or systems manufactured by you.
8. Please contact a Renesas Electronics sales office for details as to environmental matters such as the environmental compatibility of each Renesas Electronics product. Please use Renesas Electronics products in compliance with all applicable laws and regulations that regulate the inclusion or use of controlled substances, including without limitation, the EU RoHS Directive. Renesas Electronics assumes no liability for damages or losses occurring as a result of your noncompliance with applicable laws and regulations.
9. Renesas Electronics products and technology may not be used for or incorporated into any products or systems whose manufacture, use, or sale is prohibited under any applicable domestic or foreign laws or regulations. You should not use Renesas Electronics products or technology described in this document for any purpose relating to military applications or use by the military, including but not limited to the development of weapons of mass destruction. When exporting the Renesas Electronics products or technology described in this document, you should comply with the applicable export control laws and regulations and follow the procedures required by such laws and regulations.
10. It is the responsibility of the buyer or distributor of Renesas Electronics products, who distributes, disposes of, or otherwise places the product with a third party, to notify such third party in advance of the contents and conditions set forth in this document, Renesas Electronics assumes no responsibility for any losses incurred by you or third parties as a result of unauthorized use of Renesas Electronics products.
11. This document may not be reproduced or duplicated in any form, in whole or in part, without prior written consent of Renesas Electronics.
12. Please contact a Renesas Electronics sales office if you have any questions regarding the information contained in this document or Renesas Electronics products, or if you have any other inquiries.

(Note 1) "Renesas Electronics" as used in this document means Renesas Electronics Corporation and also includes its majority-owned subsidiaries.

(Note 2) "Renesas Electronics product(s)" means any product developed or manufactured by or for Renesas Electronics.



SALES OFFICES

Renesas Electronics Corporation

<http://www.renesas.com>

Refer to "<http://www.renesas.com/>" for the latest and detailed information.

Renesas Electronics America Inc.
2801 Scott Boulevard Santa Clara, CA 95050-2549, U.S.A.
Tel: +1-408-588-6000, Fax: +1-408-588-6130

Renesas Electronics Canada Limited
9251 Yonge Street, Suite 8309 Richmond Hill, Ontario Canada L4C 9T3
Tel: +1-905-237-2004

Renesas Electronics Europe Limited
Dukes Meadow, Millboard Road, Bourne End, Buckinghamshire, SL8 5FH, U.K
Tel: +44-1628-585-100, Fax: +44-1628-585-900

Renesas Electronics Europe GmbH
Arcadiastrasse 10, 40472 Düsseldorf, Germany
Tel: +49-211-6503-0, Fax: +49-211-6503-1327

Renesas Electronics (China) Co., Ltd.
Room 1709, Quantum Plaza, No.27 ZhichunLu Haidian District, Beijing 100191, P.R.China
Tel: +86-10-8235-1155, Fax: +86-10-8235-7679

Renesas Electronics (Shanghai) Co., Ltd.
Unit 301, Tower A, Central Towers, 555 Langao Road, Putuo District, Shanghai, P. R. China 200333
Tel: +86-21-2226-0888, Fax: +86-21-2226-0899

Renesas Electronics Hong Kong Limited
Unit 1601-1611, 16/F., Tower 2, Grand Century Place, 193 Prince Edward Road West, Mongkok, Kowloon, Hong Kong
Tel: +852-2265-8688, Fax: +852-2886-9022

Renesas Electronics Taiwan Co., Ltd.
13F, No. 363, Fu Shing North Road, Taipei 10543, Taiwan
Tel: +886-2-8175-9600, Fax: +886-2-8175-9670

Renesas Electronics Singapore Pte. Ltd.
80 Bendemeer Road, Unit #06-02 Hyflux Innovation Centre, Singapore 339949
Tel: +65-6213-0200, Fax: +65-6213-0300

Renesas Electronics Malaysia Sdn.Bhd.
Unit 1207, Block B, Menara Amcorp, Amcorp Trade Centre, No. 18, Jin Persiaran Barat, 46050 Petaling Jaya, Selangor Darul Ehsan, Malaysia
Tel: +60-3-7955-9390, Fax: +60-3-7955-9510

Renesas Electronics India Pvt. Ltd.
No.777C, 100 Feet Road, HAL II Stage, Indiranagar, Bangalore, India
Tel: +91-80-67208700, Fax: +91-80-67208777

Renesas Electronics Korea Co., Ltd.
12F., 234 Teheran-ro, Gangnam-Gu, Seoul, 135-080, Korea
Tel: +82-2-558-3737, Fax: +82-2-558-5141