

RL78/G10

A/D Conversion

Introduction

This application note describes the procedures for performing A/D conversion on analog voltages using the RL78/G10's A/D converter.

The sample program discussed in this application note performs data conversion on the A/D conversion results (shifting the data right by six bits) and places the converted values in the internal RAM of the RL78/G10.

Target Device

RL78/G10

When applying the sample program covered in this application note to another microcomputer, modify the program according to the specifications for the target microcomputer and conduct an extensive evaluation of the modified program.

Contents

1. Specification	3
2. Operation Check Conditions	4
3. Related Application Notes	4
4. Description of the Hardware	5
4.1 Hardware Configuration Example	5
4.2 List of Pins to be Used	5
5. Description of the Software	6
5.1 Operation Outline	6
5.2 List of Option Byte Settings.....	7
5.3 List of Variables	7
5.4 List of Functions (Subroutines)	8
5.5 Function Specifications	8
5.6 Flowcharts	9
5.6.1 CPU Initialization Function	10
5.6.2 I/O Port Setup Function.....	11
5.6.3 Clock Generation Circuit Setup	12
5.6.4 A/D Converter Setup	13
5.6.5 Main Processing	19
5.6.6 A/D Conversion Start Processing	20
6. Sample Code	22
7. Documents for Reference	22

1. Specification

This application note provides examples of using the software trigger and sequential conversion modes of the A/D converter. The analog signal input from the P01/ANI0 pin is converted to digital values. Subsequently, the conversion result is subjected to data conversion (shifting the data right by six bits) and the result is stored in the RL78/G10's internal RAM.

Table 1.1 lists the peripheral function to be used and its uses. Figure 1.1 shows the outline of the conversion operation of the A/D converter.

Table 1.1 Peripheral Function to be Used and its Use

Peripheral Function	Use
A/D converter	Converts the level of the analog signal input from the P01/ANI0 pin.

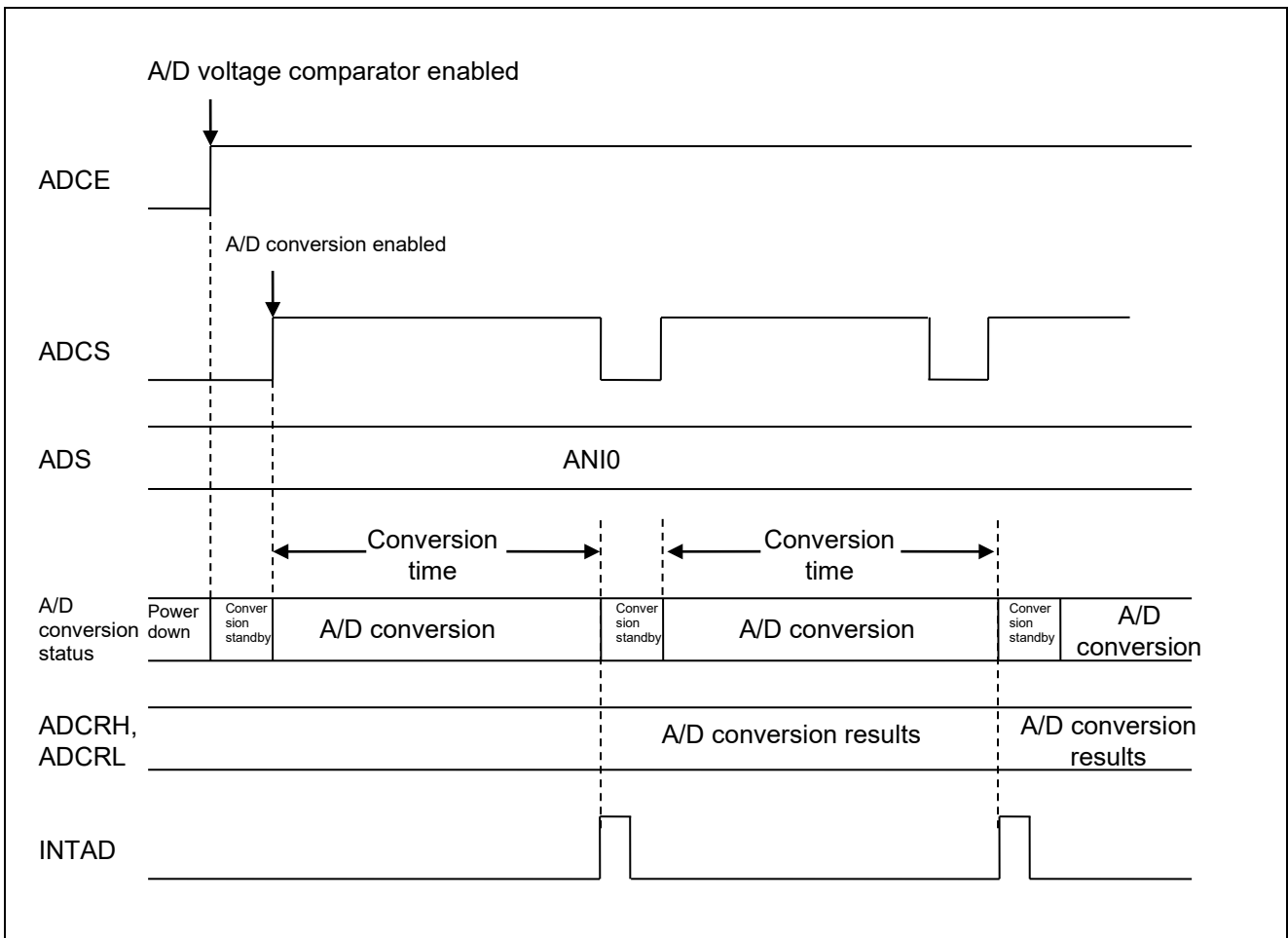


Figure 1.1 Outline of the A/D Converter Conversion Processing

2. Operation Check Conditions

The sample code contained in this application note has been checked under the conditions listed in the table below.

Table 2.1 Operation Check Conditions

Item	Description
Microcontroller used	RL78/G10 (R5F10Y16ASP)
Operating frequency	<ul style="list-style-type: none"> High-speed on-chip oscillator (HOCO) clock: 20 MHz CPU/peripheral hardware clock: 20 MHz
Operating voltage	5.0 V (can run at a voltage range of 2.9 V to 5.5 V.) SPOR detection voltage When reset occurs: $V_{DD} < 2.82$ V When reset is released: $V_{DD} \geq 2.88$ V
Integrated development environment (CubeSuite+)	CubeSuite + E1.03.00k01_RL78_G10 from Renesas Electronics Corp.
Assembler (CubeSuite+)	RA78K0R V1.70 from Renesas Electronics Corp.
Integrated development environment (e2studio)	e2studio V2.0.0.16 from Renesas Electronics Corp.
Assembler (e2studio)	KPIT GNURL78-ELF Toolchain V13.02 from Renesas Electronics Corp.
Board to be used	RL78/G10 target board (QB-R5F10Y16-TB)

3. Related Application Notes

The application notes that are related to this application note are listed below for reference.

RL78/G10 Initialization (R01AN1454E) Application Note

4. Description of the Hardware

4.1 Hardware Configuration Example

Figure 4.1 shows an example of hardware configuration that is used for this application note.

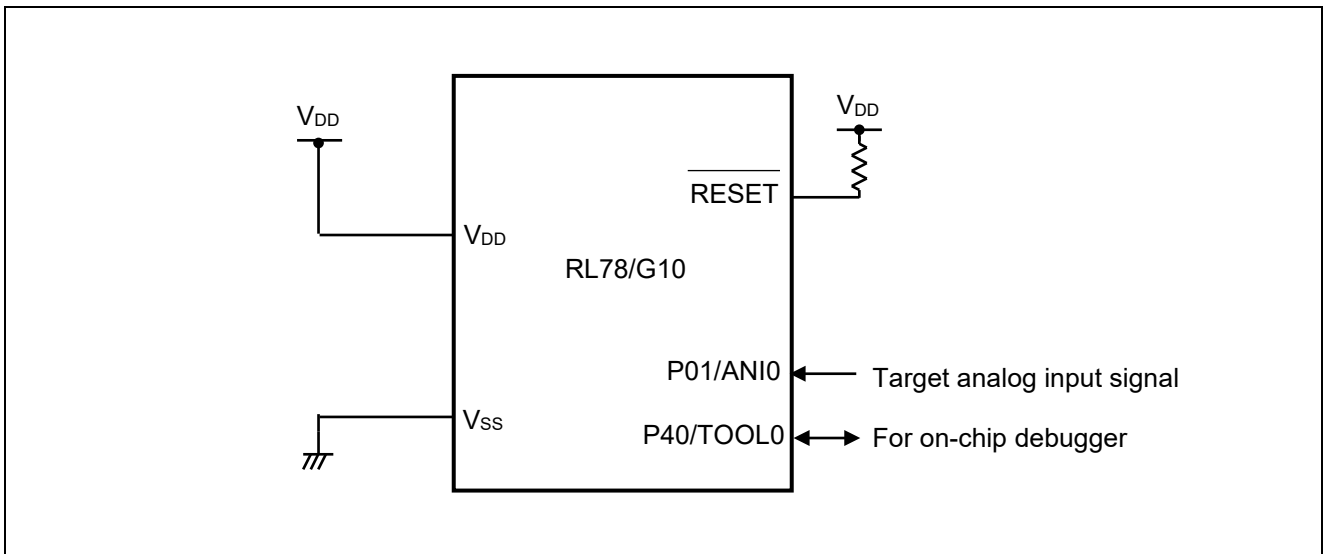


Figure 4.1 Hardware Configuration

- Cautions**
- 1 The purpose of this circuit is only to provide the connection outline and the circuit is simplified accordingly. When designing and implementing an actual circuit, provide proper pin treatment and make sure that the hardware's electrical characteristics conditions are met (connect the input-dedicated ports separately to V_{DD} or V_{SS} via a resistor).
 - 2 V_{DD} must be held at not lower than the reset release voltage (V_{SPOR}) that is specified as SPOR.

4.2 List of Pins to be Used

Table 4.1 lists the pins to be used and their function.

Table 4.1 Pins to be Used and their Function

Pin Name	I/O	Description
P01/ANI0	Input	A/D converter analog input port

5. Description of the Software

5.1 Operation Outline

This sample code performs A/D conversion on the analog voltage that is input to pin ANI0 using the A/D converter. It awaits the end of A/D conversion in HALT mode. After A/D conversion is completed, the sample code shifts the result of A/D conversion right by six bits and places the result in the internal RAM of the RL78/G10.

(1) Initialize the A/D converter.

<Setup conditions>

- Pin P01/ANI0 is used for the analog input.
- Ten-bit resolution is used for the A/D conversion resolution.

(2) The sample program sets the ADCS bit of the ADM0 register to 1 (A/D conversion start) to start A/D conversion, executes the HALT instruction, places the chip in the HALT mode, and waits for an A/D conversion end interrupt.

(3) After completing the A/D conversion of the voltage input from pin ANI0, the A/D converter transfers the result of A/D conversion to the ADCRH and ADCRL registers and generates an A/D conversion end interrupt.

(4) On release from the HALT mode in response to the A/D conversion end interrupt, the sample program reads the result of A/D conversion from the ADCRH and ADCRL registers, shifts the result right by six bits, and stores the shifted data in the internal RAM of the RL78/G10.

(5) The sample program sets the ADCS bit of the ADM0 register to 1 (A/D conversion start) to start A/D conversion, places the chip in the HALT mode again, and waits for an A/D conversion end interrupt.

5.2 List of Option Byte Settings

Table 5.1 summarizes the settings of the option bytes.

Table 5.1 Option Byte Settings

Address	Value	Description
000C0H	11101110B	Stops the watchdog timer operation. (Stops counting after the release of the reset state.)
000C1H	11110111B	SPOR detection voltage When reset occurs: $V_{DD} < 2.82\text{ V}$ When reset is released: $V_{DD} \geq 2.88\text{ V}$
000C2H	11111001B	HOCO: 20 MHz
000C3H	10000101B	Enables the on-chip debugging function.

5.3 List of Variables

Table 5.2 lists the variable that is used by this sample program.

Table 5.2 Global Variable

Type	Variable Name	Contents	Function Used
16-bit variable	RADCBUF	Area for storing the A/D conversion results	main

5.4 List of Functions (Subroutines)

Table 5.3 lists the functions (subroutines) that are used by this sample program.

Table 5.3 List of Functions (Subroutines)

Function Name	Outline
SINIADC	Initializes A/D converter
SSTARTAD	Starts A/D conversion

5.5 Function Specifications

This section describes the specifications for the functions that are used in the sample code.

[Function Name] RESET_START

Synopsis	Initializes the CPU at reset start.
Explanation	Calls the main function after setting the stack pointer and initializing the hardware.
Arguments	None
Return value	None
Remarks	None

[Function Name] SINIADC

Synopsis	Initializes the A/D converter.
Explanation	Sets the conversion time, resolution (10-bit conversion), and analog input channels of the A/D converter.
Arguments	None
Return value	None
Remarks	None

[Function Name] SSTARTAD

Synopsis	Starts A/D conversion.
Explanation	Enables A/D conversion end interrupts and starts A/D conversion processing.
Arguments	None
Return value	None
Remarks	None

5.6 Flowcharts

Figure 5.1 shows the overall flow of the sample program described in this application note.

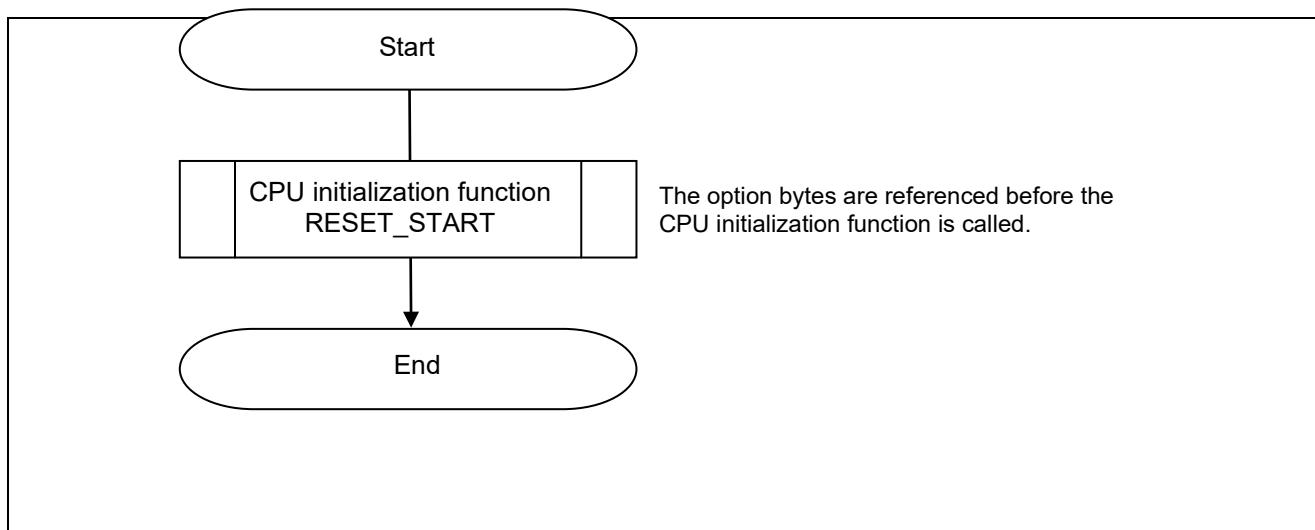


Figure 5.1 Overall Flow

5.6.2 I/O Port Setup Function

Figure 5.3 shows the flowchart for the I/O port setup function.

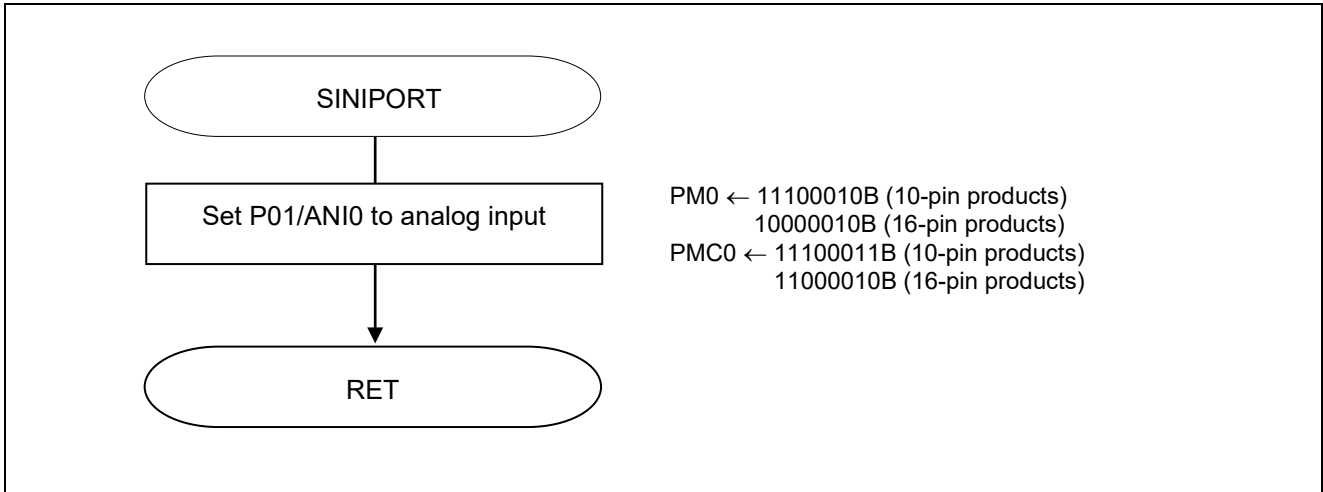


Figure 5.3 I/O Port Setup Function

Note Refer to the section entitled "Flowcharts" in RL78/G10 Initialization Application Note (R01AN1454E) for the configuration of the unused ports.

Caution Provide proper treatment for unused pins so that their electrical specifications are observed. Connect each of any unused input-only ports to V_{DD} or V_{SS} via separate resistors.

5.6.3 Clock Generation Circuit Setup

Figure 5.4 shows the flowchart for clock generation circuit setup. Because 10-pin products do not have the resonator connection pins for the main system clock (X1 and X2) and the external clock input pin (EXCLK), only the high-speed on-chip oscillator frequency should be set in 10-pin products.

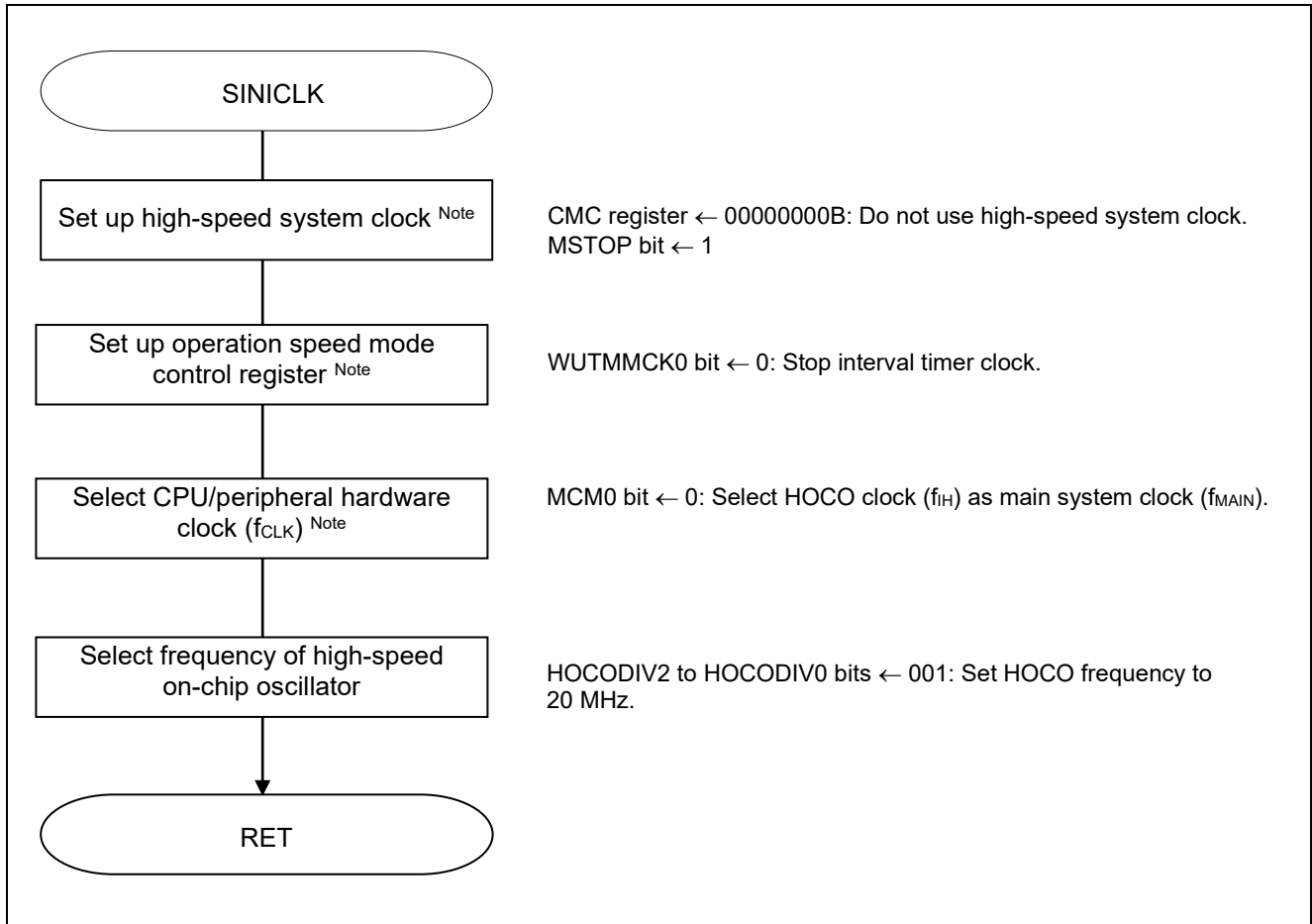


Figure 5.4 Clock Generation Circuit Setup

Note 16-pin products only.

Caution For details on the procedure for setting up the clock generation circuit (SINICKL), refer to the section entitled "Flowcharts" in RL78/G10 Initialization Application Note (R01AN1454E).

5.6.4 A/D Converter Setup

Figure 5.5 shows the flowchart for setting up the A/D converter.

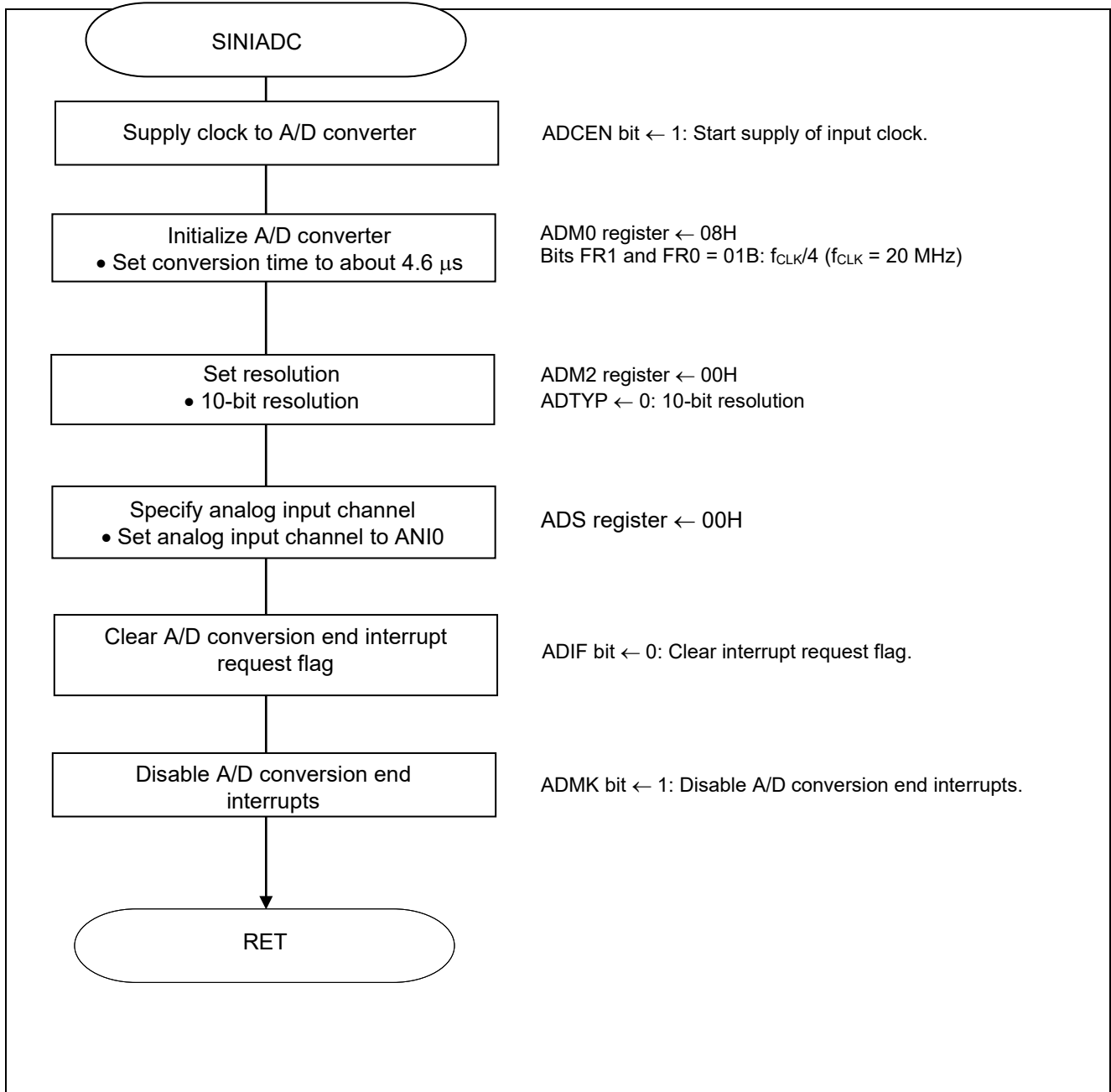


Figure 5.5 A/D Converter Setup

Starting the supply of clock to the A/D converter

- Peripheral enable register 0 (PER0)
Starts the supply of the clock to the A/D converter.

Symbol: PER0

	7	6	5	4	3	2	1	0
TMKAEN Note		0	ADCEN	IICA0EN Note	0	SAU0EN	0	TAU0EN
x		0	1	x	x	x	0	x

Bit 5

ADCEN	Control of A/D converter input clock supply
0	Stops input clock supply.
1	Enables input clock supply.

Note 16-pin products only.

Caution For details on the procedure for setting up the registers, refer to RL78/G10 User's Manual: Hardware.

Setting up the A/D conversion time and operation mode

- A/D converter mode register 0 (ADM0)
Controls the A/D conversion operation.
Specifies the A/D conversion channel selection mode.

Symbol: ADM0

7	6	5	4	3	2	1	0
ADCS	0	0	FR1	FR0	0	LV0 ^{Note 1}	ADCE
x	0	0	0	1	0	0	x

Bits 4, 3, and 1

(1) $2.4\text{ V} \leq V_{DD} \leq 5.5\text{ V}$

ADM0			Conversion Clock	Number of Conversion Clock	Conversion Time	Conversion Time Selection [μs]				
FR1	FR0	LV0				$f_{\text{CLK}} = 1.25\text{ MHz}$	$f_{\text{CLK}} = 5\text{ MHz}$	$f_{\text{CLK}} = 5\text{ MHz}$	$f_{\text{CLK}} = 10\text{ MHz}$	$f_{\text{CLK}} = 20\text{ MHz}$
0	0	0	$f_{\text{CLK}}/8$	19 f_{AD} (Number of sampling clock: 7 f_{AD})	$184/f_{\text{CLK}}$	Setting prohibited	Setting prohibited	Setting prohibited	18.4	Setting prohibited
0	1	0	$f_{\text{CLK}}/4$		$92/f_{\text{CLK}}$	Setting prohibited	Setting prohibited	18.4	9.2	Setting prohibited
1	0		$f_{\text{CLK}}/2$		$46/f_{\text{CLK}}$			18.4	9.2	
1	1		f_{CLK}		$23/f_{\text{CLK}}$	18.4	9.2	4.6	Setting prohibited	

(2) $2.7\text{ V} \leq V_{DD} \leq 5.5\text{ V}$

ADM0			Conversion Clock	Number of Conversion Clock	Conversion Time	Conversion Time Selection [μs]				
FR1	FR0	LV0				$f_{\text{CLK}} = 1.25\text{ MHz}$	$f_{\text{CLK}} = 5\text{ MHz}$	$f_{\text{CLK}} = 5\text{ MHz}$	$f_{\text{CLK}} = 10\text{ MHz}$	$f_{\text{CLK}} = 20\text{ MHz}$
0	0	0	$f_{\text{CLK}}/8$	19 f_{AD} (Number of sampling clock: 7 f_{AD})	$184/f_{\text{CLK}}$	Setting prohibited	Setting prohibited	Setting prohibited	18.4	9.2
0	1		$f_{\text{CLK}}/4$		$92/f_{\text{CLK}}$	Setting prohibited	Setting prohibited	18.4	9.2	4.6
1	0		$f_{\text{CLK}}/2$		$46/f_{\text{CLK}}$			18.4	9.2	4.6
1	1		f_{CLK}		$23/f_{\text{CLK}}$	18.4	9.2	4.6	Setting prohibited	
0	0	1	$f_{\text{CLK}}/8$	17 f_{AD} (Number of sampling clock: 5 f_{AD})	$136/f_{\text{CLK}}$	Setting prohibited	Setting prohibited	Setting prohibited	18.4	6.8
0	1		$f_{\text{CLK}}/4$		$68/f_{\text{CLK}}$	Setting prohibited	Setting prohibited	18.4	9.2	3.4
1	0		$f_{\text{CLK}}/2$		$34/f_{\text{CLK}}$			13.6	9.2	4.6
1	1		f_{CLK}		$17/f_{\text{CLK}}$	13.6	6.8	4.6	Setting prohibited	

Caution For details on the procedure for setting up the registers, refer to RL78/G10 User's Manual: Hardware.

Setting up the resolution

- A/D converter mode register 2 (ADM2)
Sets the resolution.

Symbol: ADM2

7	6	5	4	3	2	1	0
0	0	0	0	0	0	0	ADTYP
0	0	0	0	0	0	0	0

Bit 0

ADTYP	Resolution of A/D conversion
0	10-bit resolution
1	8-bit resolution

Caution For details on the procedure for setting up the registers, refer to RL78/G10 User's Manual: Hardware.

Specifying the input channel

- Analog input channel specification register (ADS)
Specifies the input channel for the analog voltage to be subjected to A/D conversion.

Symbol: ADS

7	6	5	4	3	2	1	0
0	0	0	0	0	ADS2 ^{Note}	ADS1	ADS0
0	0	0	0	0	0	0	0

10-pin products

ADS1	ADS0	Analog input channel	Input source
0	0	ANI0	P01/ANI0 pin
0	1	ANI1	P02/ANI1 pin
1	0	ANI2	P03/ANI2 pin
1	1	ANI3	P04/ANI3 pin

16-pin products

ADS2	ADS1	ADS0	Analog input channel	Input source
0	0	0	ANI0	P01/ANI0 pin
0	0	1	ANI1	P02/ANI1 pin
0	1	0	ANI2	P03/ANI2 pin
0	1	1	ANI3	P04/ANI3 pin
1	0	0	ANI4	P05/ANI4 pin
1	0	1	ANI5	P10/ANI5 pin
1	1	0	ANI6	P11/ANI6 pin
1	1	1	ANI7	P00/ANI7 pin

Note 16-pin products only.

Caution For details on the procedure for setting up the registers, refer to RL78/G10 User's Manual: Hardware.

Setting up A/D conversion end interrupts

- Interrupt request flag register (IF0H)
Clears the interrupt request flag.
- Interrupt mask flag register (MK0H)
Disables interrupts.

Symbol: IF0H

7	6	5	4	3	2	1	0
0	0	0	0	0	KRIF	ADIF	TMIF01
0	0	0	0	0	x	0	x

Bit 1

ADIF	Interrupt request flag
0	No interrupt request signal is generated
1	Interrupt request is generated, interrupt request status

Symbol: MK0H

7	6	5	4	3	2	1	0
0	0	0	0	0	KRMK	ADMK	TMMK01
x	x	x	x	x	x	1	x

Bit 1

ADMK	Interrupt servicing control
0	Interrupt servicing enabled
1	Interrupt servicing disabled

Caution For details on the procedure for setting up the registers, refer to RL78/G10 User's Manual: Hardware.

5.6.5 Main Processing

Figure 5.6 shows the flowchart for the main processing.

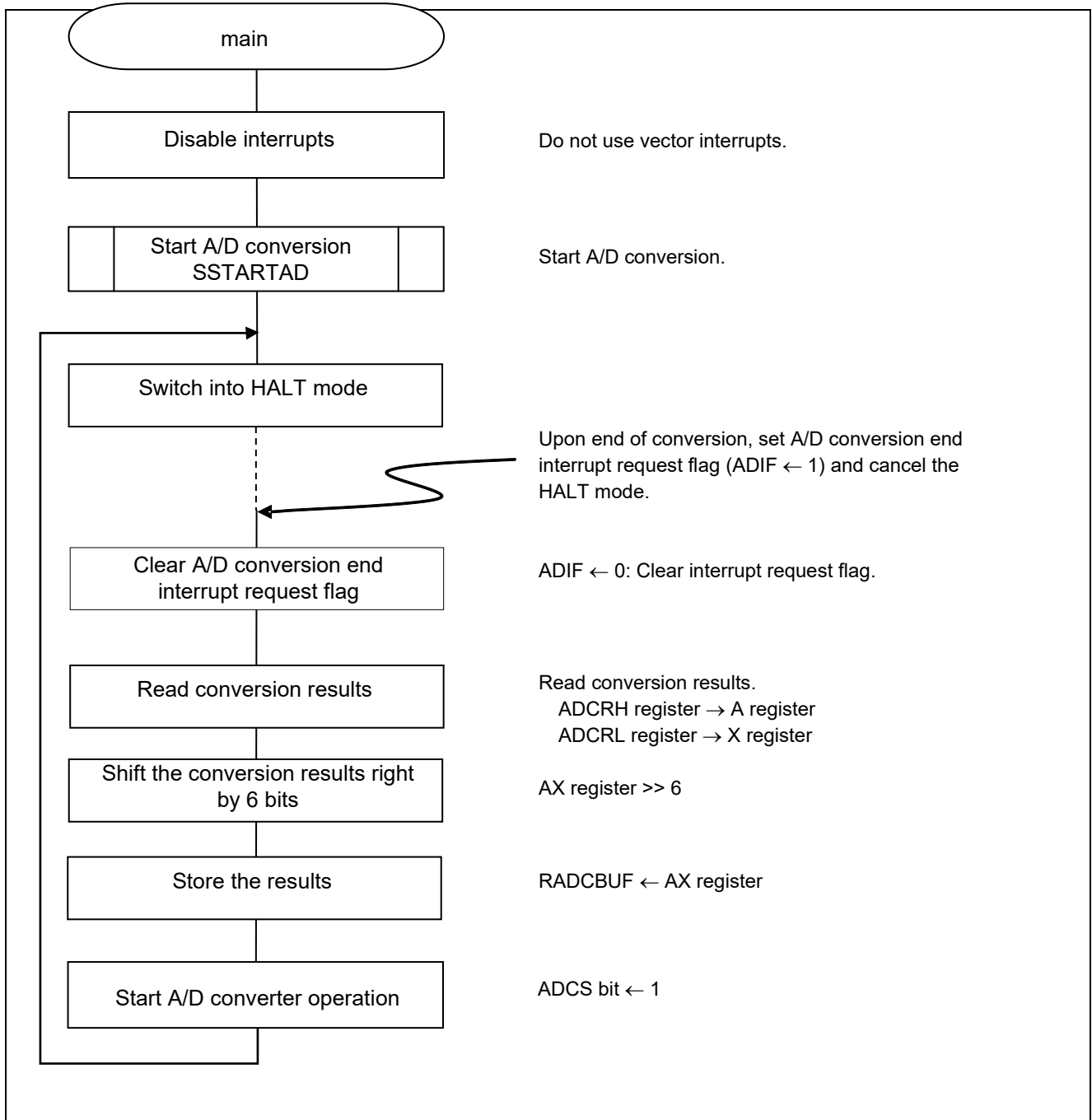


Figure 5.6 Main Processing

5.6.6 A/D Conversion Start Processing

Figure 5.7 shows the flowchart for the A/D conversion start processing.

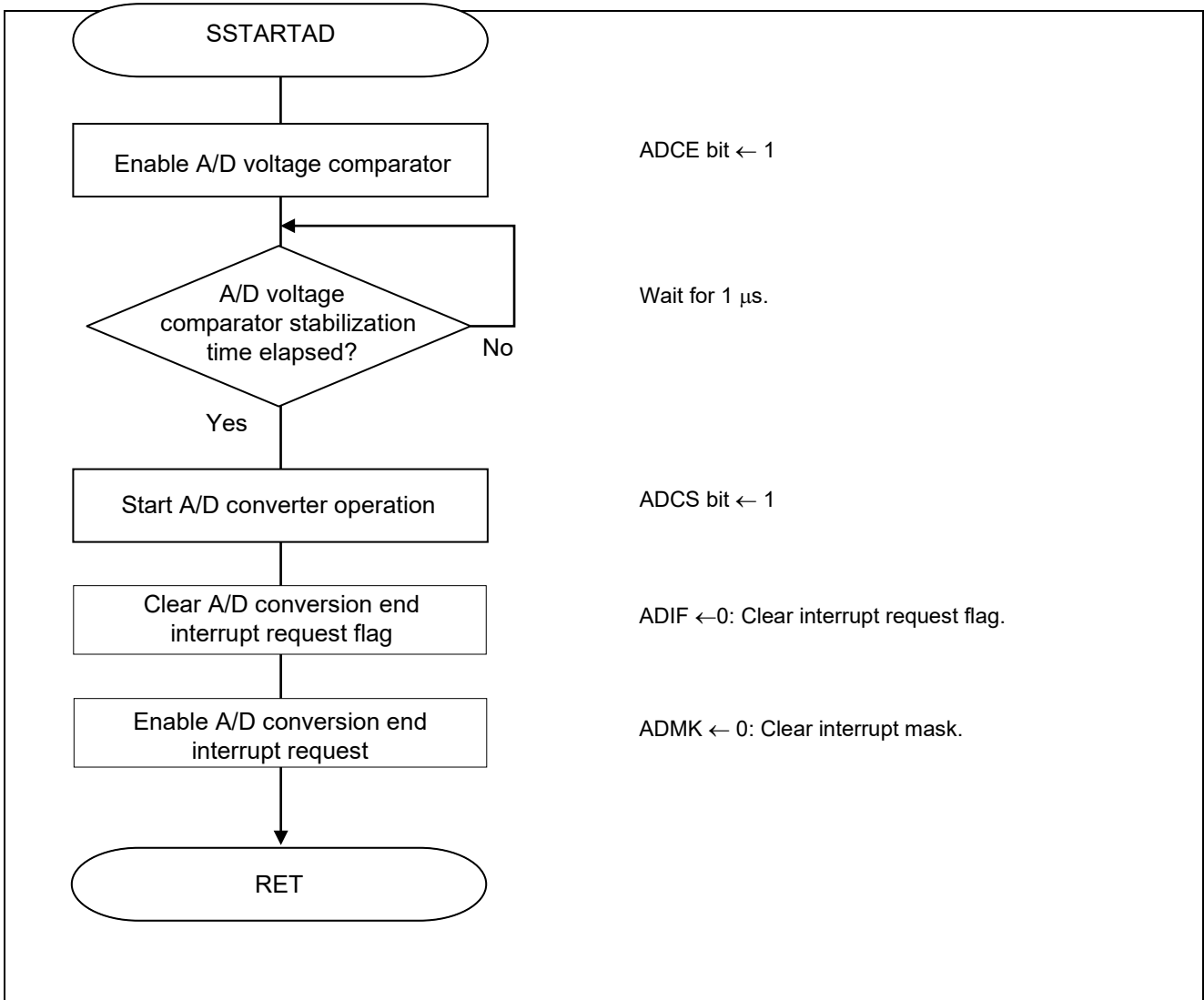


Figure 5.7 A/D Conversion Start Processing

Starting conversion operation

- A/D converter mode register 0 (ADM0)
Controls the A/D conversion operation.

Symbol: ADM0

7	6	5	4	3	2	1	0
ADCS	0	0	FR1	FR0	0	LV0	ADCE
1	0	0	0	1	x	x	1

Bit 7

ADCS	A/D conversion operation control
0	Stops conversion operation
1	Enables conversion operation

Bit 0

ADCE	A/D voltage comparator operation control
0	Stops A/D voltage comparator operation
1	Enables A/D voltage comparator operation

Caution For details on the procedure for setting up the registers, refer to RL78/G10 User's Manual: Hardware.

6. Sample Code

The sample code is available on the Renesas Electronics Website.

7. Documents for Reference

RL78/G10 User's Manual: Hardware (R01UH0384E)

RL78 Family User's Manual: Software (R01US0015E)

(The latest versions of the documents are available on the Renesas Electronics Website.)

Technical Updates/Technical Brochures

(The latest versions of the documents are available on the Renesas Electronics Website.)

All trademarks and registered trademarks are the property of their respective owners.

Revision History

Rev.	Date	Description	
		Page	Summary
1.00	2013.01.28	-	First Edition
2.00	2013.12.31	4	e2studio and IAR information added in Table 2.1
2.10	2022.09.30	4	Delete IAR information from Table 2.1

General Precautions in the Handling of Microprocessing Unit and Microcontroller Unit Products

The following usage notes are applicable to all Microprocessing unit and Microcontroller unit products from Renesas. For detailed usage notes on the products covered by this document, refer to the relevant sections of the document as well as any technical updates that have been issued for the products.

1. Precaution against Electrostatic Discharge (ESD)

A strong electrical field, when exposed to a CMOS device, can cause destruction of the gate oxide and ultimately degrade the device operation. Steps must be taken to stop the generation of static electricity as much as possible, and quickly dissipate it when it occurs. Environmental control must be adequate. When it is dry, a humidifier should be used. This is recommended to avoid using insulators that can easily build up static electricity.

Semiconductor devices must be stored and transported in an anti-static container, static shielding bag or conductive material. All test and measurement tools including work benches and floors must be grounded. The operator must also be grounded using a wrist strap. Semiconductor devices must not be touched with bare hands. Similar precautions must be taken for printed circuit boards with mounted semiconductor devices.

2. Processing at power-on

The state of the product is undefined at the time when power is supplied. The states of internal circuits in the LSI are indeterminate and the states of register settings and pins are undefined at the time when power is supplied. In a finished product where the reset signal is applied to the external reset pin, the states of pins are not guaranteed from the time when power is supplied until the reset process is completed. In a similar way, the states of pins in a product that is reset by an on-chip power-on reset function are not guaranteed from the time when power is supplied until the power reaches the level at which resetting is specified.

3. Input of signal during power-off state

Do not input signals or an I/O pull-up power supply while the device is powered off. The current injection that results from input of such a signal or I/O pull-up power supply may cause malfunction and the abnormal current that passes in the device at this time may cause degradation of internal elements. Follow the guideline for input signal during power-off state as described in your product documentation.

4. Handling of unused pins

Handle unused pins in accordance with the directions given under handling of unused pins in the manual. The input pins of CMOS products are generally in the high-impedance state. In operation with an unused pin in the open-circuit state, extra electromagnetic noise is induced in the vicinity of the LSI, an associated shoot-through current flows internally, and malfunctions occur due to the false recognition of the pin state as an input signal become possible.

5. Clock signals

After applying a reset, only release the reset line after the operating clock signal becomes stable. When switching the clock signal during program execution, wait until the target clock signal is stabilized. When the clock signal is generated with an external resonator or from an external oscillator during a reset, ensure that the reset line is only released after full stabilization of the clock signal. Additionally, when switching to a clock signal produced with an external resonator or by an external oscillator while program execution is in progress, wait until the target clock signal is stable.

6. Voltage application waveform at input pin

Waveform distortion due to input noise or a reflected wave may cause malfunction. If the input of the CMOS device stays in the area between V_{IL} (Max.) and V_{IH} (Min.) due to noise, for example, the device may malfunction. Take care to prevent chattering noise from entering the device when the input level is fixed, and also in the transition period when the input level passes through the area between V_{IL} (Max.) and V_{IH} (Min.).

7. Prohibition of access to reserved addresses

Access to reserved addresses is prohibited. The reserved addresses are provided for possible future expansion of functions. Do not access these addresses as the correct operation of the LSI is not guaranteed.

8. Differences between products

Before changing from one product to another, for example to a product with a different part number, confirm that the change will not lead to problems. The characteristics of a microprocessing unit or microcontroller unit products in the same group but having a different part number might differ in terms of internal memory capacity, layout pattern, and other factors, which can affect the ranges of electrical characteristics, such as characteristic values, operating margins, immunity to noise, and amount of radiated noise. When changing to a product with a different part number, implement a system-evaluation test for the given product.

Notice

1. Descriptions of circuits, software and other related information in this document are provided only to illustrate the operation of semiconductor products and application examples. You are fully responsible for the incorporation or any other use of the circuits, software, and information in the design of your product or system. Renesas Electronics disclaims any and all liability for any losses and damages incurred by you or third parties arising from the use of these circuits, software, or information.
2. Renesas Electronics hereby expressly disclaims any warranties against and liability for infringement or any other claims involving patents, copyrights, or other intellectual property rights of third parties, by or arising from the use of Renesas Electronics products or technical information described in this document, including but not limited to, the product data, drawings, charts, programs, algorithms, and application examples.
3. No license, express, implied or otherwise, is granted hereby under any patents, copyrights or other intellectual property rights of Renesas Electronics or others.
4. You shall be responsible for determining what licenses are required from any third parties, and obtaining such licenses for the lawful import, export, manufacture, sales, utilization, distribution or other disposal of any products incorporating Renesas Electronics products, if required.
5. You shall not alter, modify, copy, or reverse engineer any Renesas Electronics product, whether in whole or in part. Renesas Electronics disclaims any and all liability for any losses or damages incurred by you or third parties arising from such alteration, modification, copying or reverse engineering.
6. Renesas Electronics products are classified according to the following two quality grades: "Standard" and "High Quality". The intended applications for each Renesas Electronics product depends on the product's quality grade, as indicated below.
 - "Standard": Computers; office equipment; communications equipment; test and measurement equipment; audio and visual equipment; home electronic appliances; machine tools; personal electronic equipment; industrial robots; etc.
 - "High Quality": Transportation equipment (automobiles, trains, ships, etc.); traffic control (traffic lights); large-scale communication equipment; key financial terminal systems; safety control equipment; etc.
- Unless expressly designated as a high reliability product or a product for harsh environments in a Renesas Electronics data sheet or other Renesas Electronics document, Renesas Electronics products are not intended or authorized for use in products or systems that may pose a direct threat to human life or bodily injury (artificial life support devices or systems; surgical implantations; etc.), or may cause serious property damage (space system; undersea repeaters; nuclear power control systems; aircraft control systems; key plant systems; military equipment; etc.). Renesas Electronics disclaims any and all liability for any damages or losses incurred by you or any third parties arising from the use of any Renesas Electronics product that is inconsistent with any Renesas Electronics data sheet, user's manual or other Renesas Electronics document.
7. No semiconductor product is absolutely secure. Notwithstanding any security measures or features that may be implemented in Renesas Electronics hardware or software products, Renesas Electronics shall have absolutely no liability arising out of any vulnerability or security breach, including but not limited to any unauthorized access to or use of a Renesas Electronics product or a system that uses a Renesas Electronics product. RENESAS ELECTRONICS DOES NOT WARRANT OR GUARANTEE THAT RENESAS ELECTRONICS PRODUCTS, OR ANY SYSTEMS CREATED USING RENESAS ELECTRONICS PRODUCTS WILL BE INVULNERABLE OR FREE FROM CORRUPTION, ATTACK, VIRUSES, INTERFERENCE, HACKING, DATA LOSS OR THEFT, OR OTHER SECURITY INTRUSION ("Vulnerability Issues"). RENESAS ELECTRONICS DISCLAIMS ANY AND ALL RESPONSIBILITY OR LIABILITY ARISING FROM OR RELATED TO ANY VULNERABILITY ISSUES. FURTHERMORE, TO THE EXTENT PERMITTED BY APPLICABLE LAW, RENESAS ELECTRONICS DISCLAIMS ANY AND ALL WARRANTIES, EXPRESS OR IMPLIED, WITH RESPECT TO THIS DOCUMENT AND ANY RELATED OR ACCOMPANYING SOFTWARE OR HARDWARE, INCLUDING BUT NOT LIMITED TO THE IMPLIED WARRANTIES OF MERCHANTABILITY, OR FITNESS FOR A PARTICULAR PURPOSE.
8. When using Renesas Electronics products, refer to the latest product information (data sheets, user's manuals, application notes, "General Notes for Handling and Using Semiconductor Devices" in the reliability handbook, etc.), and ensure that usage conditions are within the ranges specified by Renesas Electronics with respect to maximum ratings, operating power supply voltage range, heat dissipation characteristics, installation, etc. Renesas Electronics disclaims any and all liability for any malfunctions, failure or accident arising out of the use of Renesas Electronics products outside of such specified ranges.
9. Although Renesas Electronics endeavors to improve the quality and reliability of Renesas Electronics products, semiconductor products have specific characteristics, such as the occurrence of failure at a certain rate and malfunctions under certain use conditions. Unless designated as a high reliability product or a product for harsh environments in a Renesas Electronics data sheet or other Renesas Electronics document, Renesas Electronics products are not subject to radiation resistance design. You are responsible for implementing safety measures to guard against the possibility of bodily injury, injury or damage caused by fire, and/or danger to the public in the event of a failure or malfunction of Renesas Electronics products, such as safety design for hardware and software, including but not limited to redundancy, fire control and malfunction prevention, appropriate treatment for aging degradation or any other appropriate measures. Because the evaluation of microcomputer software alone is very difficult and impractical, you are responsible for evaluating the safety of the final products or systems manufactured by you.
10. Please contact a Renesas Electronics sales office for details as to environmental matters such as the environmental compatibility of each Renesas Electronics product. You are responsible for carefully and sufficiently investigating applicable laws and regulations that regulate the inclusion or use of controlled substances, including without limitation, the EU RoHS Directive, and using Renesas Electronics products in compliance with all these applicable laws and regulations. Renesas Electronics disclaims any and all liability for damages or losses occurring as a result of your noncompliance with applicable laws and regulations.
11. Renesas Electronics products and technologies shall not be used for or incorporated into any products or systems whose manufacture, use, or sale is prohibited under any applicable domestic or foreign laws or regulations. You shall comply with any applicable export control laws and regulations promulgated and administered by the governments of any countries asserting jurisdiction over the parties or transactions.
12. It is the responsibility of the buyer or distributor of Renesas Electronics products, or any other party who distributes, disposes of, or otherwise sells or transfers the product to a third party, to notify such third party in advance of the contents and conditions set forth in this document.
13. This document shall not be reprinted, reproduced or duplicated in any form, in whole or in part, without prior written consent of Renesas Electronics.
14. Please contact a Renesas Electronics sales office if you have any questions regarding the information contained in this document or Renesas Electronics products.

(Note1) "Renesas Electronics" as used in this document means Renesas Electronics Corporation and also includes its directly or indirectly controlled subsidiaries.

(Note2) "Renesas Electronics product(s)" means any product developed or manufactured by or for Renesas Electronics.

(Rev.5.0-1 October 2020)

Corporate Headquarters

TOYOSU FORESIA, 3-2-24 Toyosu,
Koto-ku, Tokyo 135-0061, Japan

www.renesas.com

Trademarks

Renesas and the Renesas logo are trademarks of Renesas Electronics Corporation. All trademarks and registered trademarks are the property of their respective owners.

Contact information

For further information on a product, technology, the most up-to-date version of a document, or your nearest sales office, please visit:

www.renesas.com/contact/.