

High Current Logic Level MOSFET Driver

Introduction

Although the HV400 was designed as an interface between a pulse transformer and a power MOSFET, there are applications for high current MOSFET gate drive controlled by standard logic. This application note provides a method of interfacing the HV400 to logic signals. It also reviews the input control requirements of the HV400. The data sheet for the HV400 may be found in the "Intelligent Power IC's" data book DB304.

HV400 Circuit Schematic

The HV400 schematic is shown in Figure 1. There are separate outputs for sinking and sourcing current. When the input goes low, resistor R3 provides base drive for Q2. An SCR is used to sink large currents. Transistor Q2 triggers SCR1 at both the anode and cathode gates. This triggering sequence begins as soon as D4 becomes reverse biased; the triggering delay time is then independent of the input fall time. Resistor R4 provides a base discharge path for Q1. Diode D6 increases the input hysteresis to reduce the chances that ringing at the input or output will trigger the SCR. Resistors R1 and R2 remove excess stored charge from the SCR and also help prevent false triggering. Diode D5 clamps the input low voltage.

A high input turns on Q1. Diodes D2 and D3, along with D1, prevent Q1 from saturating. Diode D1 also provides a means of passing charge from the input to the supply.

HV400 Input Characteristics

The HV400 is a non inverting current buffer. Pin 2 is the input control pin. For the output to be high, the input must also be high. This requires at least 12mA since R3 is approximately 1250Ω. Additional input current is required for the base current of Q1. The input driver should be capable of sourcing 200mA for a few hundred nanoseconds to achieve a 3A output current pulse but much less is required for smaller output currents due to the change in transistor gain with current and voltage. The input voltage should be 2V higher than the desired output voltage.

To set the output into the low state, the input voltage must drop 1V below the output. This can be accomplished by terminating the pin 2 input current since R3 acts as a pull-down resistor. The

input voltage should be no more than 2V above pins 4 and 5 to make sure that Q1 will not turn back on.

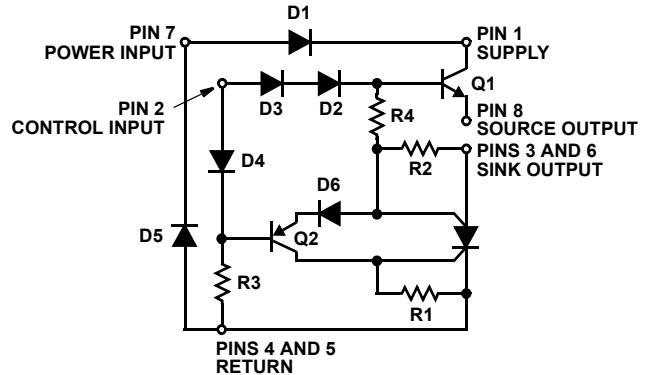


FIGURE 1. MOSFET DRIVER SCHEMATIC

Once the output is triggered low, it will remain low until the current into the output, pins 3 and 6, drops below 10mA and the SCR unlatches. The input must not go positive until the SCR unlatches and has had time to recover its voltage blocking capability defined by the "minimum off time" specification.

Logic Level Input

There are many instances where the control signal is a logic level referenced to the source of the MOSFET, i.e. logic ground and the source are at nearly the same potential. For example, forward, flyback and push-pull switch mode power supplies use power MOSFET's with grounded sources.

The Intersil ICL7667 is a dual MOSFET driver that converts TTL/CMOS level signals into the higher voltages required for gate drives. The combination HV400 and ICL7667 results in a low cost, high output current, logic level input MOSFET driver. The circuit schematic is shown in Figure 2. One of the ICL7667 outputs becomes the input for the HV400 and the other is connected in parallel with the HV400 output. Since the ICL7667 is a CMOS product, its outputs swing rail-to-rail. Based on the HV400 input requirements, it should be apparent that a low impedance, high voltage (i.e. 15V) CMOS output is ideal for driving the HV400 input.

The result of combining one channel of the ICL7667 with the output of the HV400 is an improved driver with the voltage swing of a CMOS part and the large peak currents available from BiPolar. During switching transitions, the HV400 provides most of the sinking/sourcing current until the output is within 2V of the supply or ground. When the output is low, the ICL7667 continues to discharge the power MOSFET gate to ground after the HV400 SCR unlatches. It also provides a low impedance path to ground to keep the power MOSFET off in the presence of drain coupled noise or gate leakage currents. When the output is high, the ICL7667 continues to charge the MOSFET gate to the supply voltage minimizing MOSFET "on"

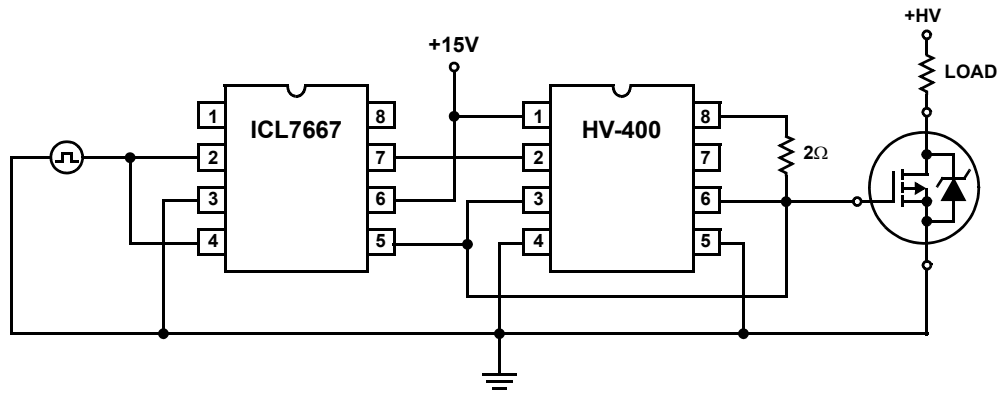


FIGURE 2. LOGIC LEVEL CIRCUIT

resistance. Since most power MOSFET gate energy is dissipated in the HV400, the ICL7667 operates cooler minimizing the switching and delay times. The maximum supply voltage is 15V limited by the ICL7667.

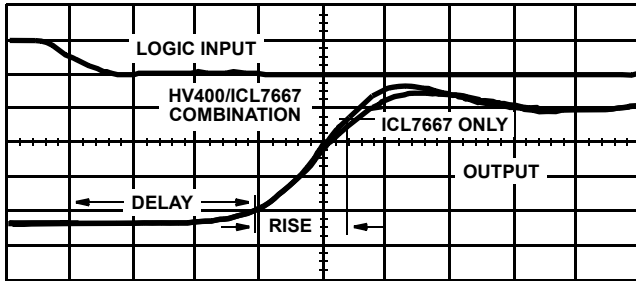
The following figures illustrate the performance of the HV400/ICL7667 combination. Figures 3 and 4 show the response with a 1nF capacitive load. Included for comparison is the response of the ICL7667 by itself. The low-to-high transition (Figure 3) has a 30nS delay and a 15nS rise time. The high-to-low transition (Figure 4) has a 10nS delay and a 14nS fall time. The HV-400 reduces the rise and fall times by only a few nanoseconds.

Figures 5 and 6 are for the same conditions except the load has been increased to 5nF. Here, the HV400 reduces the rise time to about 50% of that of the ICL7667 alone and the fall time is about 25%. The delay times are unchanged.

Figures 7 and 8 show the ICL7667/HV400 combination driving a 20nF load. From the dv/dt measurements, the peak source current is about $3^{1/3}A$ and the peak sink current is about 8A.

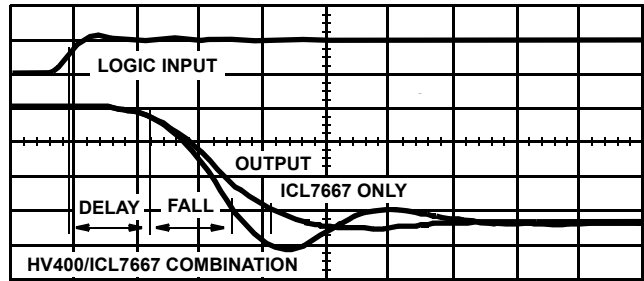
Summary

A simple circuit combination of the HV400 and an ICL7667 MOSFET drivers results in a logic compatible driver with large drive current capacity.



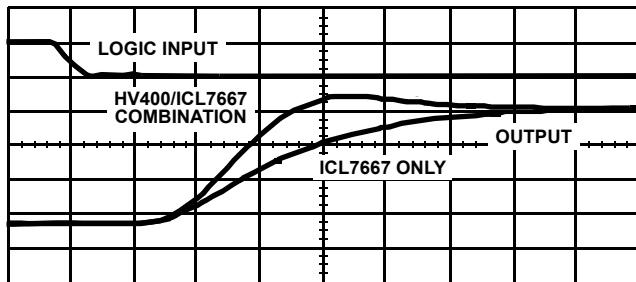
NOTE:
 Input = 5.000V/div
 Output = 5.000V/div
 Timebase = 10.0ns/div
 $C_L = 1nF$

FIGURE 3.



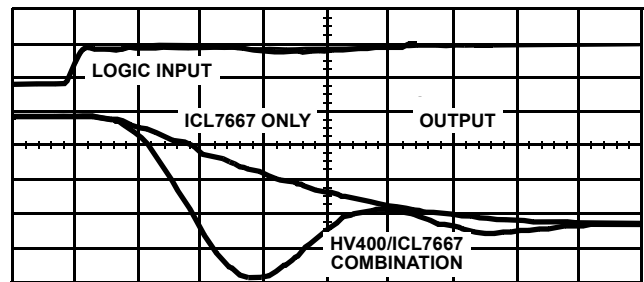
NOTE:
 Input = 5.000V/div
 Output = 5.000V/div
 Timebase = 10.0ns/div
 $C_L = 1nF$

FIGURE 4.



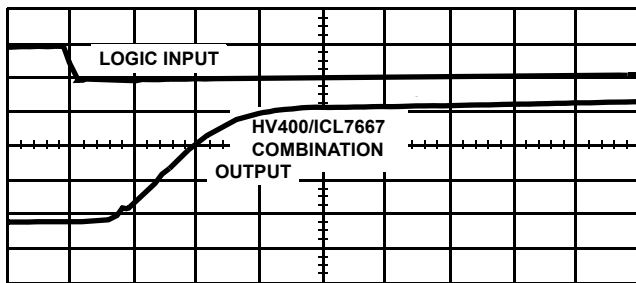
NOTE:
 Input = 5.000V/div
 Output = 5.000V/div
 Timebase = 20.0ns/div
 $C_L = 5nF$

FIGURE 5.



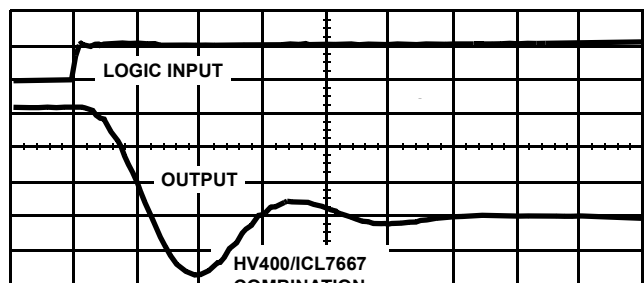
NOTE:
 Input = 5.000V/div
 Output = 5.000V/div
 Timebase = 20.0ns/div
 $C_L = 5nF$

FIGURE 6.



NOTE:
 Ch. 1 = 5.000V/div
 Ch. 2 = 5.000V/div
 Timebase = 50.0ns/div
 $C_L = 20nF$

FIGURE 7.



NOTE:
 Input = 5.000V/div
 Output = 5.000V/div
 Timebase = 50.0ns/div
 $C_L = 20nF$

FIGURE 8.

Notice

1. Descriptions of circuits, software and other related information in this document are provided only to illustrate the operation of semiconductor products and application examples. You are fully responsible for the incorporation or any other use of the circuits, software, and information in the design of your product or system. Renesas Electronics disclaims any and all liability for any losses and damages incurred by you or third parties arising from the use of these circuits, software, or information.
2. Renesas Electronics hereby expressly disclaims any warranties against and liability for infringement or any other claims involving patents, copyrights, or other intellectual property rights of third parties, by or arising from the use of Renesas Electronics products or technical information described in this document, including but not limited to, the product data, drawings, charts, programs, algorithms, and application examples.
3. No license, express, implied or otherwise, is granted hereby under any patents, copyrights or other intellectual property rights of Renesas Electronics or others.
4. You shall not alter, modify, copy, or reverse engineer any Renesas Electronics product, whether in whole or in part. Renesas Electronics disclaims any and all liability for any losses or damages incurred by you or third parties arising from such alteration, modification, copying or reverse engineering.
5. Renesas Electronics products are classified according to the following two quality grades: "Standard" and "High Quality". The intended applications for each Renesas Electronics product depends on the product's quality grade, as indicated below.
"Standard": Computers; office equipment; communications equipment; test and measurement equipment; audio and visual equipment; home electronic appliances; machine tools; personal electronic equipment; industrial robots; etc.
"High Quality": Transportation equipment (automobiles, trains, ships, etc.); traffic control (traffic lights); large-scale communication equipment; key financial terminal systems; safety control equipment; etc.
Unless expressly designated as a high reliability product or a product for harsh environments in a Renesas Electronics data sheet or other Renesas Electronics document, Renesas Electronics products are not intended or authorized for use in products or systems that may pose a direct threat to human life or bodily injury (artificial life support devices or systems; surgical implantations; etc.), or may cause serious property damage (space system; undersea repeaters; nuclear power control systems; aircraft control systems; key plant systems; military equipment; etc.). Renesas Electronics disclaims any and all liability for any damages or losses incurred by you or any third parties arising from the use of any Renesas Electronics product that is inconsistent with any Renesas Electronics data sheet, user's manual or other Renesas Electronics document.
6. When using Renesas Electronics products, refer to the latest product information (data sheets, user's manuals, application notes, "General Notes for Handling and Using Semiconductor Devices" in the reliability handbook, etc.), and ensure that usage conditions are within the ranges specified by Renesas Electronics with respect to maximum ratings, operating power supply voltage range, heat dissipation characteristics, installation, etc. Renesas Electronics disclaims any and all liability for any malfunctions, failure or accident arising out of the use of Renesas Electronics products outside of such specified ranges.
7. Although Renesas Electronics endeavors to improve the quality and reliability of Renesas Electronics products, semiconductor products have specific characteristics, such as the occurrence of failure at a certain rate and malfunctions under certain use conditions. Unless designated as a high reliability product or a product for harsh environments in a Renesas Electronics data sheet or other Renesas Electronics document, Renesas Electronics products are not subject to radiation resistance design. You are responsible for implementing safety measures to guard against the possibility of bodily injury, injury or damage caused by fire, and/or danger to the public in the event of a failure or malfunction of Renesas Electronics products, such as safety design for hardware and software, including but not limited to redundancy, fire control and malfunction prevention, appropriate treatment for aging degradation or any other appropriate measures. Because the evaluation of microcomputer software alone is very difficult and impractical, you are responsible for evaluating the safety of the final products or systems manufactured by you.
8. Please contact a Renesas Electronics sales office for details as to environmental matters such as the environmental compatibility of each Renesas Electronics product. You are responsible for carefully and sufficiently investigating applicable laws and regulations that regulate the inclusion or use of controlled substances, including without limitation, the EU RoHS Directive, and using Renesas Electronics products in compliance with all these applicable laws and regulations. Renesas Electronics disclaims any and all liability for damages or losses occurring as a result of your noncompliance with applicable laws and regulations.
9. Renesas Electronics products and technologies shall not be used for or incorporated into any products or systems whose manufacture, use, or sale is prohibited under any applicable domestic or foreign laws or regulations. You shall comply with any applicable export control laws and regulations promulgated and administered by the governments of any countries asserting jurisdiction over the parties or transactions.
10. It is the responsibility of the buyer or distributor of Renesas Electronics products, or any other party who distributes, disposes of, or otherwise sells or transfers the product to a third party, to notify such third party in advance of the contents and conditions set forth in this document.
11. This document shall not be reprinted, reproduced or duplicated in any form, in whole or in part, without prior written consent of Renesas Electronics.
12. Please contact a Renesas Electronics sales office if you have any questions regarding the information contained in this document or Renesas Electronics products.
(Note 1) "Renesas Electronics" as used in this document means Renesas Electronics Corporation and also includes its directly or indirectly controlled subsidiaries.
(Note 2) "Renesas Electronics product(s)" means any product developed or manufactured by or for Renesas Electronics.

(Rev.4.0-1 November 2017)



SALES OFFICES

Renesas Electronics Corporation

<http://www.renesas.com>

Refer to "<http://www.renesas.com/>" for the latest and detailed information.

Renesas Electronics America Inc.
1001 Murphy Ranch Road, Milpitas, CA 95035, U.S.A.
Tel: +1-408-432-8888, Fax: +1-408-434-5351

Renesas Electronics Canada Limited
9251 Yonge Street, Suite 8309 Richmond Hill, Ontario Canada L4C 9T3
Tel: +1-905-237-2004

Renesas Electronics Europe Limited
Dukes Meadow, Millboard Road, Bourne End, Buckinghamshire, SL8 5FH, U.K
Tel: +44-1628-651-700, Fax: +44-1628-651-804

Renesas Electronics Europe GmbH
Arcadiastrasse 10, 40472 Düsseldorf, Germany
Tel: +49-211-6503-0, Fax: +49-211-6503-1327

Renesas Electronics (China) Co., Ltd.
Room 1709 Quantum Plaza, No.27 ZhichunLu, Haidian District, Beijing, 100191 P. R. China
Tel: +86-10-8235-1155, Fax: +86-10-8235-7679

Renesas Electronics (Shanghai) Co., Ltd.
Unit 301, Tower A, Central Towers, 555 Langao Road, Putuo District, Shanghai, 200333 P. R. China
Tel: +86-21-2226-0888, Fax: +86-21-2226-0999

Renesas Electronics Hong Kong Limited
Unit 1601-1611, 16/F., Tower 2, Grand Century Place, 193 Prince Edward Road West, Mongkok, Kowloon, Hong Kong
Tel: +852-2265-6688, Fax: +852-2886-9022

Renesas Electronics Taiwan Co., Ltd.
13F, No. 363, Fu Shing North Road, Taipei 10543, Taiwan
Tel: +886-2-8175-9600, Fax: +886-2-8175-9670

Renesas Electronics Singapore Pte. Ltd.
80 Bendemeer Road, Unit #06-02 Hyflux Innovation Centre, Singapore 339949
Tel: +65-6213-0200, Fax: +65-6213-0300

Renesas Electronics Malaysia Sdn.Bhd.
Unit 1207, Block B, Menara Amcorp, Amcorp Trade Centre, No. 18, Jln Persiaran Barat, 46050 Petaling Jaya, Selangor Darul Ehsan, Malaysia
Tel: +60-3-7955-9390, Fax: +60-3-7955-9510

Renesas Electronics India Pvt. Ltd.
No.777C, 100 Feet Road, HAL 2nd Stage, Indiranagar, Bangalore 560 038, India
Tel: +91-80-67208700, Fax: +91-80-67208777

Renesas Electronics Korea Co., Ltd.
17F, KAMCO Yangjae Tower, 262, Gangnam-daero, Gangnam-gu, Seoul, 06265 Korea
Tel: +82-2-558-3737, Fax: +82-2-558-5338