

## Introduction

This design is a Constant Current LED Driver with SPI control. LEDs are current-driven devices whose brightness is proportional to their forward current. Forward current can be controlled in two ways. The first method is using the LED voltage and current curve to determine what voltage needs to be applied to the LED to generate the desired forward current. The second, preferred method of regulating LED current is to drive the LED with a constant-current source. The constant-current source eliminates changes in current due to variations in forward voltage. Preferably, the input power supply regulates the voltage across a current-sense resistor. The power-supply reference voltage and the value of the current-sense resistor determine the LED current.

The LED current is set using the following equation:

$$I_{LED} = \frac{V_{REF}}{R}$$

Where  $R$  is connected between the  $V_{REF}$  pin and GND.

The maximum  $I_{LED}$  is limited by output pin characteristics. The typical current for one output pin is 24 mA at  $V_{DD}=3.3V$ , and 68 mA at  $V_{DD}=5.0V$ .

The application circuit can be seen in Figure 2.

## LED constant current circuit design

As shown in Figure 1, a dual constant current LED driver with SPI control can be implemented using SPI, DAC0, two analog comparators (ACMP0 and ACMP1) and two 2-bit LUTs (LUT2 and LUT3).

## LED constant current circuit analysis

When this device is powered on, the output pins (LED1\_1, LED1\_2, LED2\_1 and LED2\_2) are LOW.

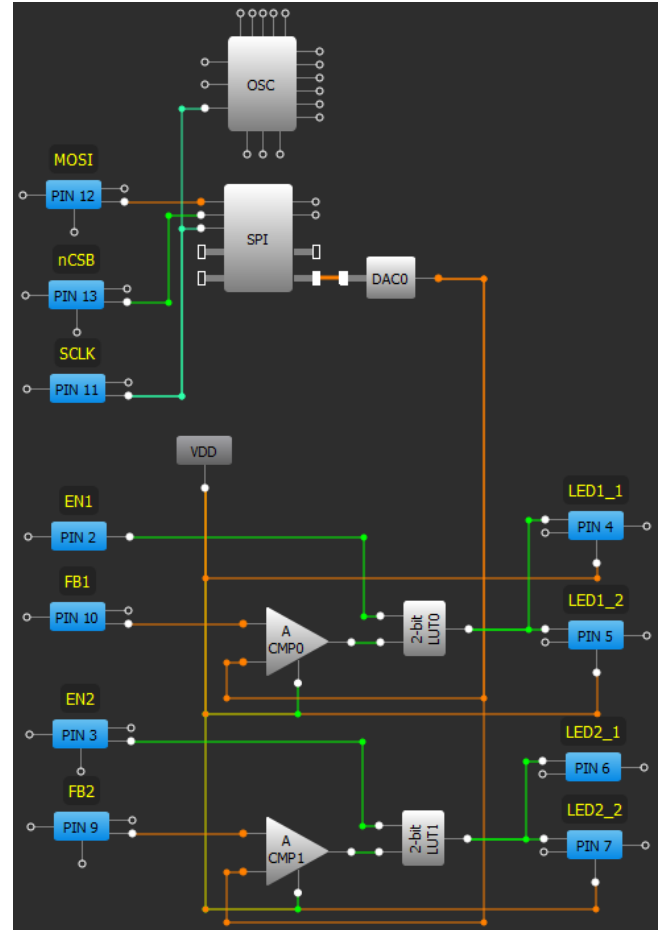


Figure 1. LED constant current circuit design

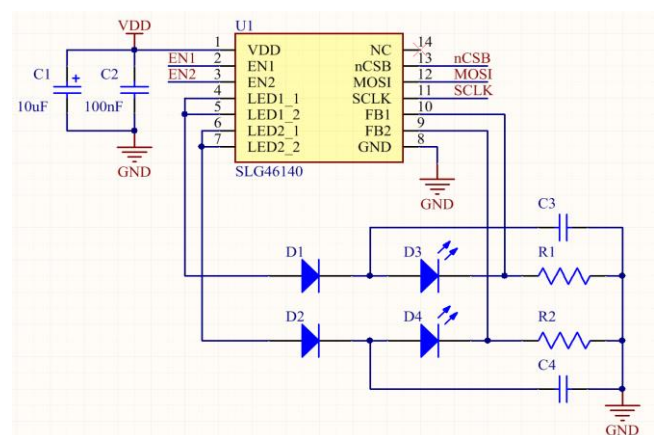


Figure 2. LED constant current typical application circuit

The EN1 (PIN 2) and the EN2 (PIN 4) are independently enabled for each pair of output pins.

When EN1 is HIGH, the output pins LED1\_1 and LED1\_2 are enabled. When EN2 is HIGH, the output pins LED2\_1 and LED2\_2 are enabled. When EN1 is LOW, the output pins LED1\_1 and LED1\_2 are disabled. When EN2 is LOW, the output pins LED2\_1 and LED2\_2 are disabled.

Vref is set via SPI code, ranging in value of 0V at SPI code = 0, to 1V at SPI code = 255. Capacitors C3, C4 help smooth the digital on-off switching behavior of the output pairs as they regulate the average current. The functionality waveforms that describe the device operation are shown in Figures 3 through 8.

**Components: D1 – 1N4148, D3 – GNL-5013URC, R1 – 100 Ohm, C3 – 100 nF**



**Figure 3. Device functionality then SPI code 255 at VDD 5.5V**

Channel 1 (yellow/top line) – PIN#1 (VDD)  
 Channel 2 (light blue/2nd line) – PIN#4 (LED1\_1)  
 Channel 3 (magenta /bottom line) – PIN#10 (FB1)



**Figure 4. Device functionality then SPI code 255 at VDD 3.3V**

Channel 1 (yellow/top line) – PIN#1 (VDD)  
 Channel 2 (light blue/2nd line) – PIN#4 (LED1\_1)  
 Channel 3 (magenta /bottom line) – PIN#10 (FB1)



**Figure 5. Device functionality then SPI code 192 at VDD 5.5V**

Channel 1 (yellow/top line) – PIN#1 (VDD)  
 Channel 2 (light blue/2nd line) – PIN#4 (LED1\_1)  
 Channel 3 (magenta /bottom line) – PIN#10 (FB1)



**Figure 6. Device functionality then SPI code 192 at VDD 3.3V**

Channel 1 (yellow/top line) – PIN#1 (VDD)  
 Channel 2 (light blue/2nd line) – PIN#4 (LED1\_1)  
 Channel 3 (magenta /bottom line) – PIN#10 (FB1)



**Figure 7. Device functionality then SPI code 128 at VDD 5.5V**

Channel 1 (yellow/top line) – PIN#1 (VDD)  
 Channel 2 (light blue/2nd line) – PIN#4 (LED1\_1)  
 Channel 3 (magenta /bottom line) – PIN#10 (FB1)



**Figure 8. Device functionality then SPI code 128 at VDD 3.3V**

Channel 1 (yellow/top line) – PIN#1 (VDD)  
 Channel 2 (light blue/2nd line) – PIN#4 (LED1\_1)  
 Channel 3 (magenta /bottom line) – PIN#10 (FB1)



**Figure 9. Device functionality then SPI code 64 at VDD 5.5V**

Channel 1 (yellow/top line) – PIN#1 (VDD)  
 Channel 2 (light blue/2nd line) – PIN#4 (LED1\_1)  
 Channel 3 (magenta /bottom line) – PIN#10 (FB1)



**Figure 10. Device functionality then SPI code 64 at VDD 3.3V**

Channel 1 (yellow/top line) – PIN#1 (VDD)  
 Channel 2 (light blue/2nd line) – PIN#4 (LED1\_1)  
 Channel 3 (magenta /bottom line) – PIN#10 (FB1)

## Conclusion

A constant current LED driver with SPI control can be easily implemented using a Green PAK IC. It has low power consumption, small board area footprint, and only a few external components needed to complete the design.

## Related Files

Programming code for [GreenPAK Designer](#).

## IMPORTANT NOTICE AND DISCLAIMER

RENESAS ELECTRONICS CORPORATION AND ITS SUBSIDIARIES (“RENESAS”) PROVIDES TECHNICAL SPECIFICATIONS AND RELIABILITY DATA (INCLUDING DATASHEETS), DESIGN RESOURCES (INCLUDING REFERENCE DESIGNS), APPLICATION OR OTHER DESIGN ADVICE, WEB TOOLS, SAFETY INFORMATION, AND OTHER RESOURCES “AS IS” AND WITH ALL FAULTS, AND DISCLAIMS ALL WARRANTIES, EXPRESS OR IMPLIED, INCLUDING, WITHOUT LIMITATION, ANY IMPLIED WARRANTIES OF MERCHANTABILITY, FITNESS FOR A PARTICULAR PURPOSE, OR NON-INFRINGEMENT OF THIRD-PARTY INTELLECTUAL PROPERTY RIGHTS.

These resources are intended for developers who are designing with Renesas products. You are solely responsible for (1) selecting the appropriate products for your application, (2) designing, validating, and testing your application, and (3) ensuring your application meets applicable standards, and any other safety, security, or other requirements. These resources are subject to change without notice. Renesas grants you permission to use these resources only to develop an application that uses Renesas products. Other reproduction or use of these resources is strictly prohibited. No license is granted to any other Renesas intellectual property or to any third-party intellectual property. Renesas disclaims responsibility for, and you will fully indemnify Renesas and its representatives against, any claims, damages, costs, losses, or liabilities arising from your use of these resources. Renesas' products are provided only subject to Renesas' Terms and Conditions of Sale or other applicable terms agreed to in writing. No use of any Renesas resources expands or otherwise alters any applicable warranties or warranty disclaimers for these products.

(Disclaimer Rev.1.01 Jan 2024)

### Corporate Headquarters

TOYOSU FORESIA, 3-2-24 Toyosu,  
Koto-ku, Tokyo 135-0061, Japan  
[www.renesas.com](http://www.renesas.com)

### Trademarks

Renesas and the Renesas logo are trademarks of Renesas Electronics Corporation. All trademarks and registered trademarks are the property of their respective owners.

### Contact Information

For further information on a product, technology, the most up-to-date version of a document, or your nearest sales office, please visit [www.renesas.com/contact-us/](http://www.renesas.com/contact-us/).