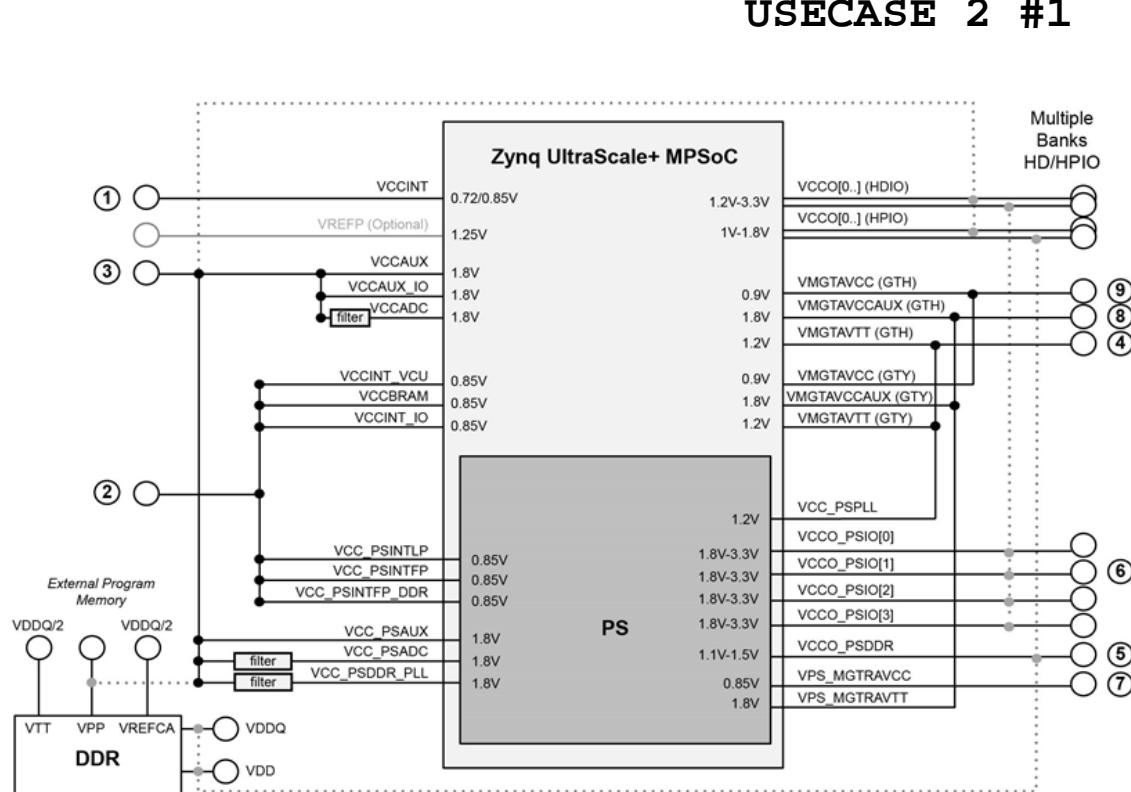
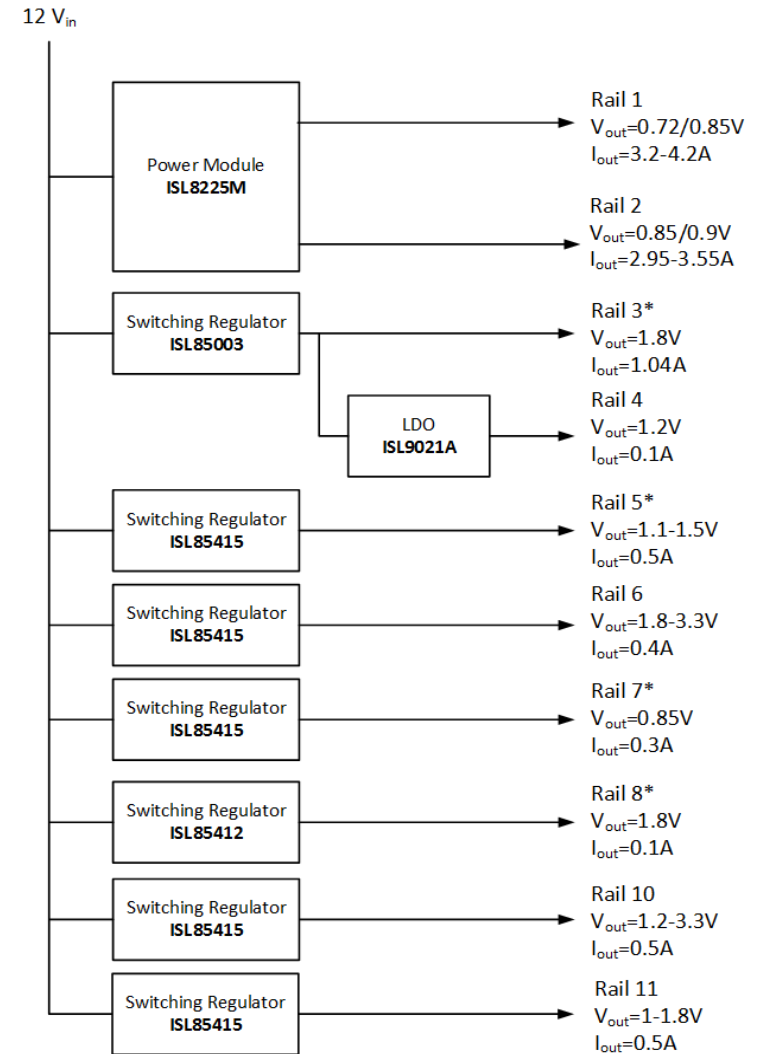


USECASE 2 #1



© Copyright 2013-2017 Xilinx, Inc.
All Rights Reserved.

Rail	Voltage	Power Supply Rails
Rail 1	0.72/0.85V	VCCINT
Rail 2	0.85/0.9V	VCC_PSINTFP, VCC_PSINTLP, VCC_PSINTFP_DDR, VCCINT_VCU, VCCINT_IO, VCCBRAM
Rail 3*	1.8V*	VCC_PSAUX, VCCAUX, VCCAUX_IO, VCC_PSDDR_PLL, VCCADC, VCC_PSADC
Rail 4*	1.2V*	VMGTAVTT(GTH), VMGTAVTT(GTY), VCC_PSPLL
Rail 5	1.1-1.5V	VCCO_PSDDR
Rail 6	1.8-3.3V	VCCO_PSI0
Rail 7*	0.85V*	VPS_MGTRAVCC
Rail 8*	1.8V*	VMGTAVCCAUX(GTH), VMGTAVCCAUX(GTY), VPS_MGTRAVTT
Rail 9*	0.9V*	VMGTAVCC(GTH), VMGTAVCC(GTY)
Rail 10	1.2-3.3V	HDIO_VCCO
Rail 11	1-1.8V	HPIO_VCCO



intersil

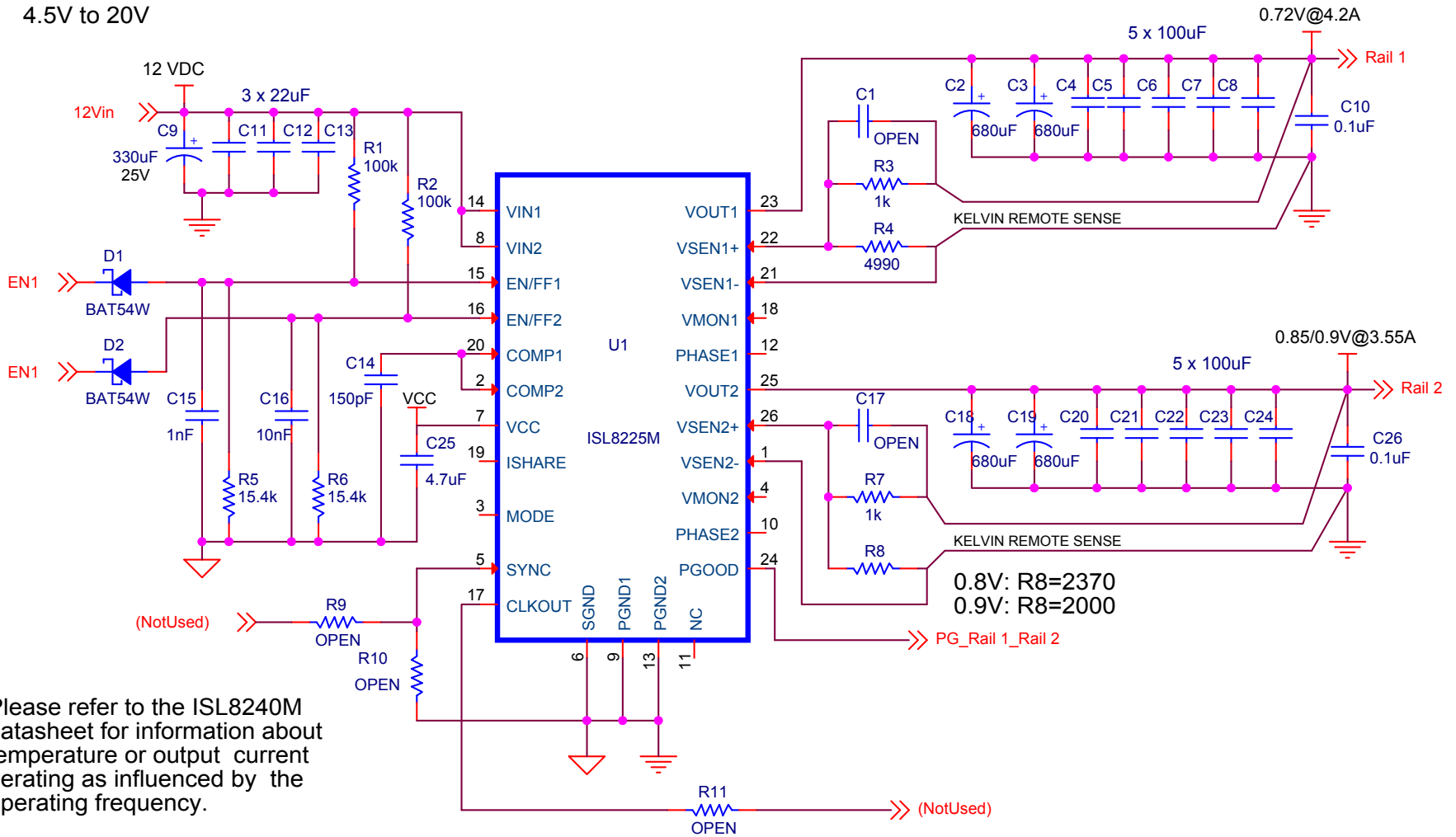
Title: **ZYNQ US+ MPSoC Power Rails**

Size: **B** Document Number: **<Doc>** Rev: **A**

Date: **Thursday, March 09, 2017** Sheet: **1** of **10**

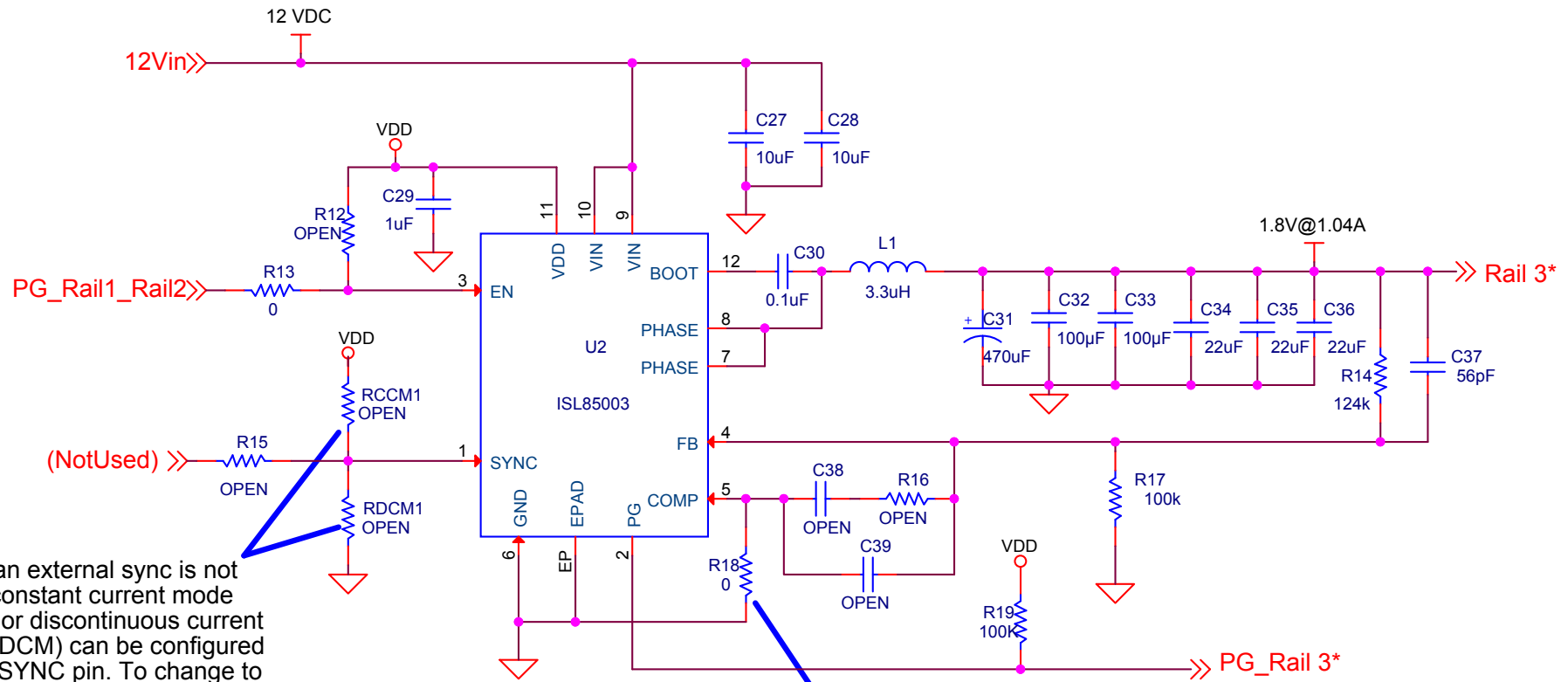
VIN RANGE:
4.5V to 20V

ISL8225M Dual Output 15A/15A



Title		
ISL8225M-dual-1		
Size A	Document Number	Rev
Date:	Thursday, March 09, 2017	Sheet 2 of 10

ISL85003 SINGLE OUTPUT (3A)



When an external sync is not used, constant current mode (CCM) or discontinuous current mode (DCM) can be configured on the SYNC pin. To change to DCM mode, remove RCCM, and change RDCM to 0 ohms.

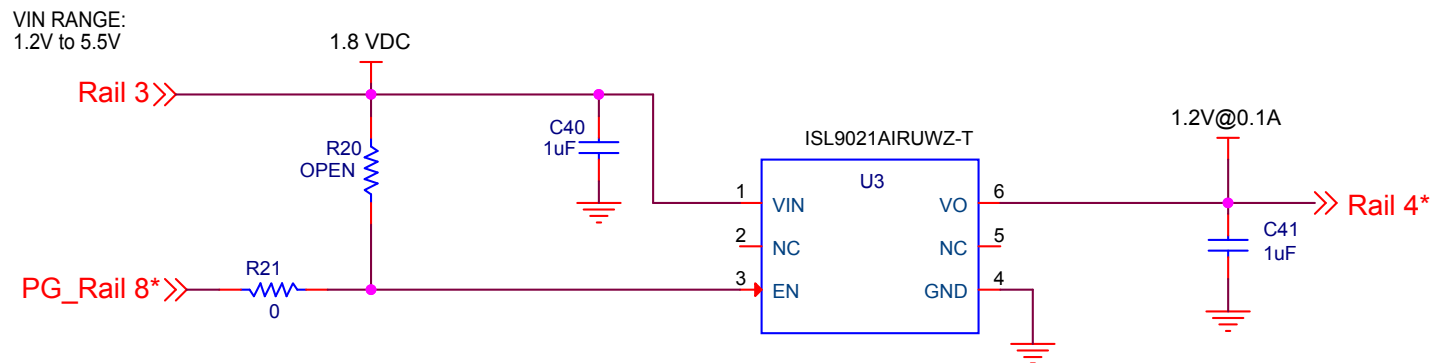
If custom compensation is desired, remove the ground connection on the COMP pin to enable external compensation.

OPEN value components on the COMP pin are place holders if external compensation is used.

Programmable Soft Start is available in the ISL85003A (without synchronization)

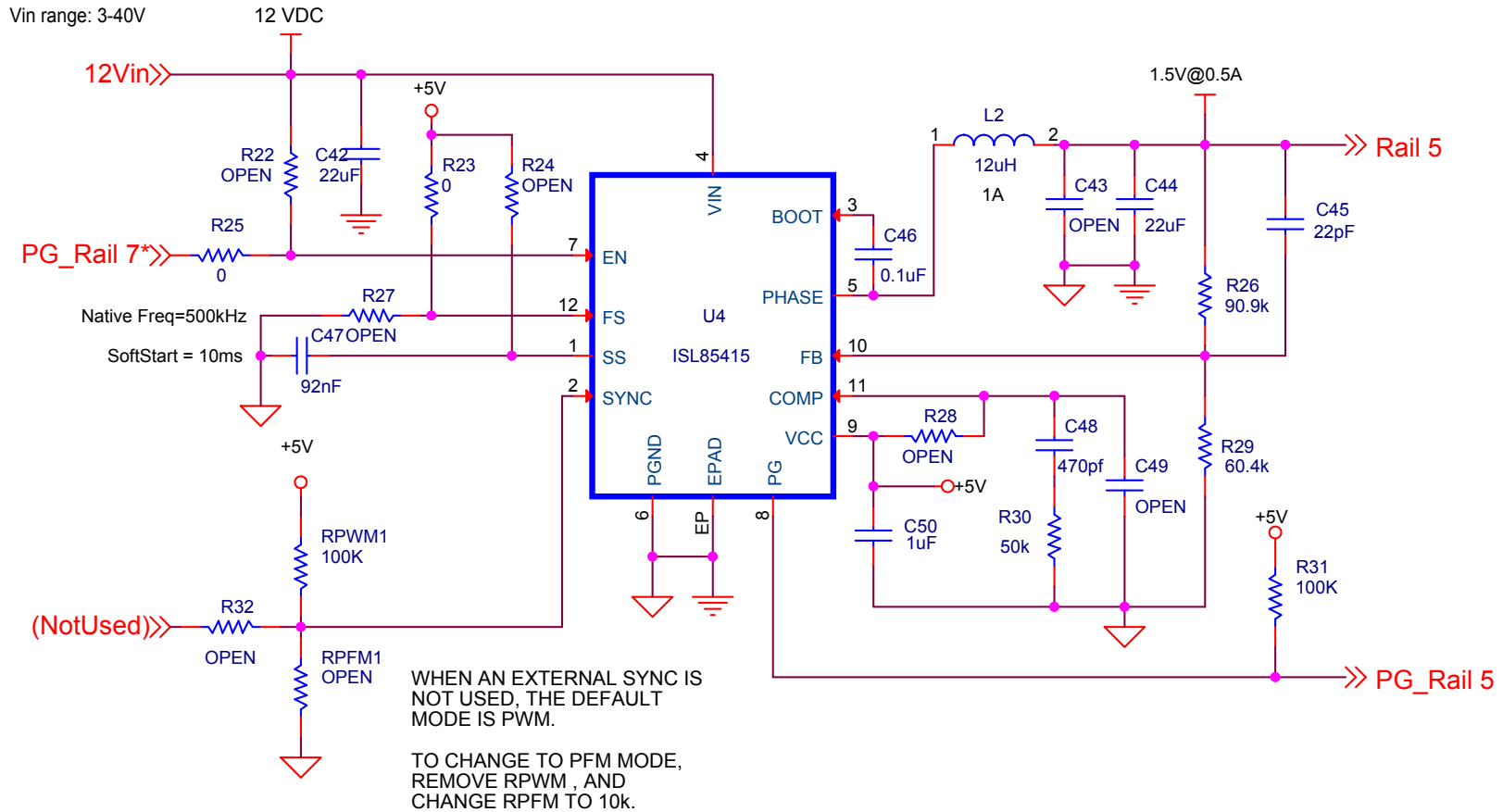
Title		
ISL85003-SINGLE-1		
Size	Document Number	Rev
A	<Doc>	<Rev Co
Date:	Thursday, March 09, 2017	Sheet 3 of 10

ISL9021A Single Output (250mA)



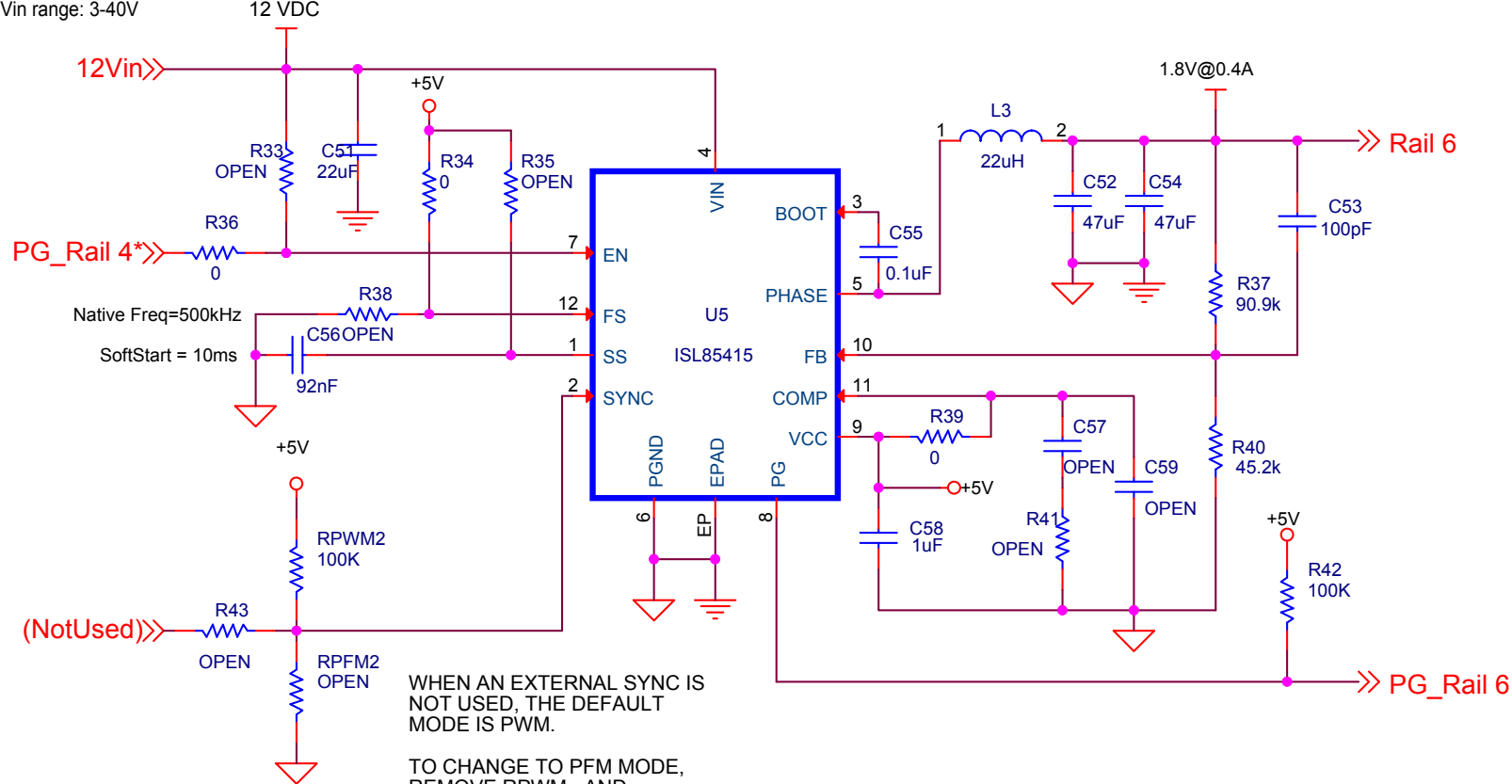
Title		
ISL9021A-SINGLE-1		
Size A	Document Number	Rev
Date:	Sheet 4	of 10

ISL85415 SINGLE OUTPUT (500mA)



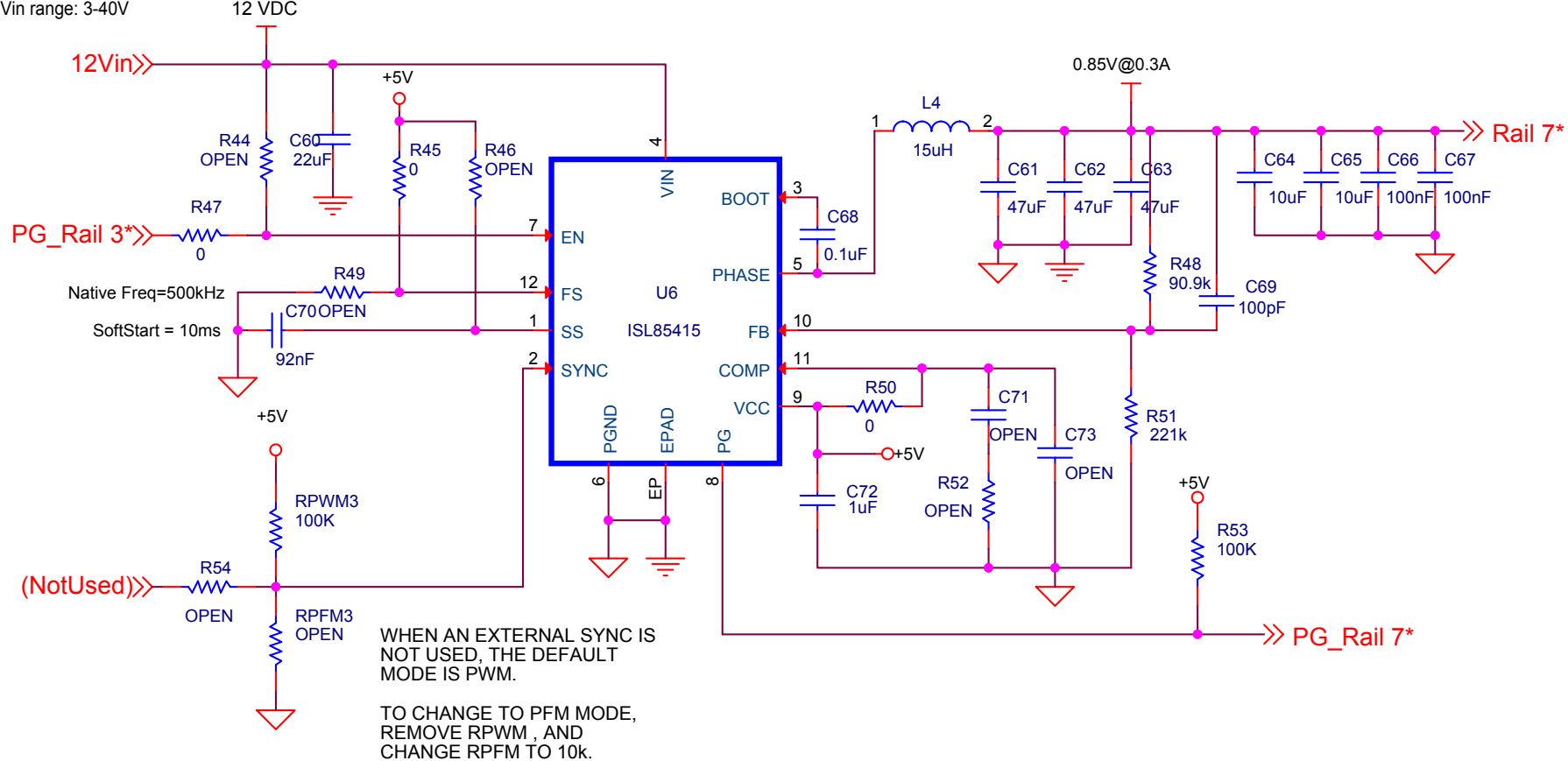
Title		
ISL85415-SINGLE-1		
Size A	Document Number	Rev
Date:	Thursday, March 09, 2017	Sheet 5 of 10

ISL85415 SINGLE OUTPUT (500mA)



Title		
ISL85415-SINGLE-1		
Size A	Document Number	Rev
Date:	Thursday, March 09, 2017	Sheet 6 of 10

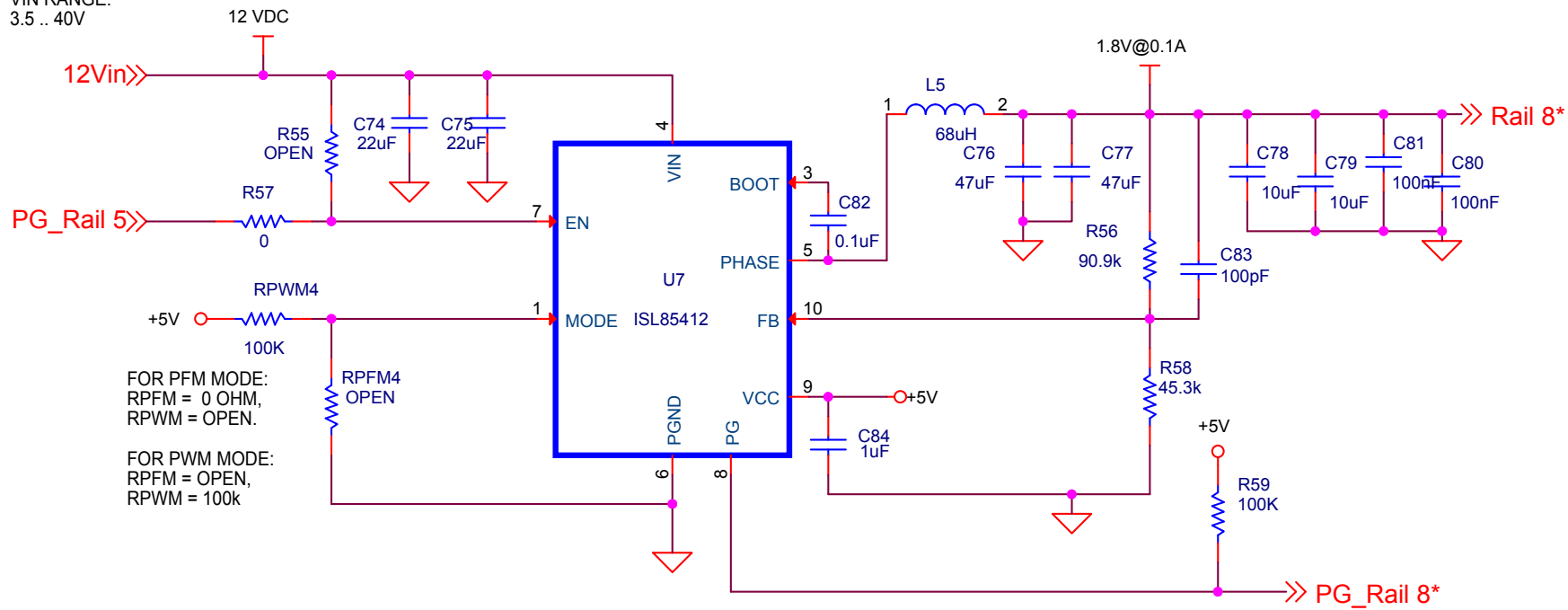
ISL85415 SINGLE OUTPUT (500mA)



Title		
ISL85415-SINGLE-1		
Size A	Document Number	Rev
Date:	Thursday, March 09, 2017	Sheet 7 of 10

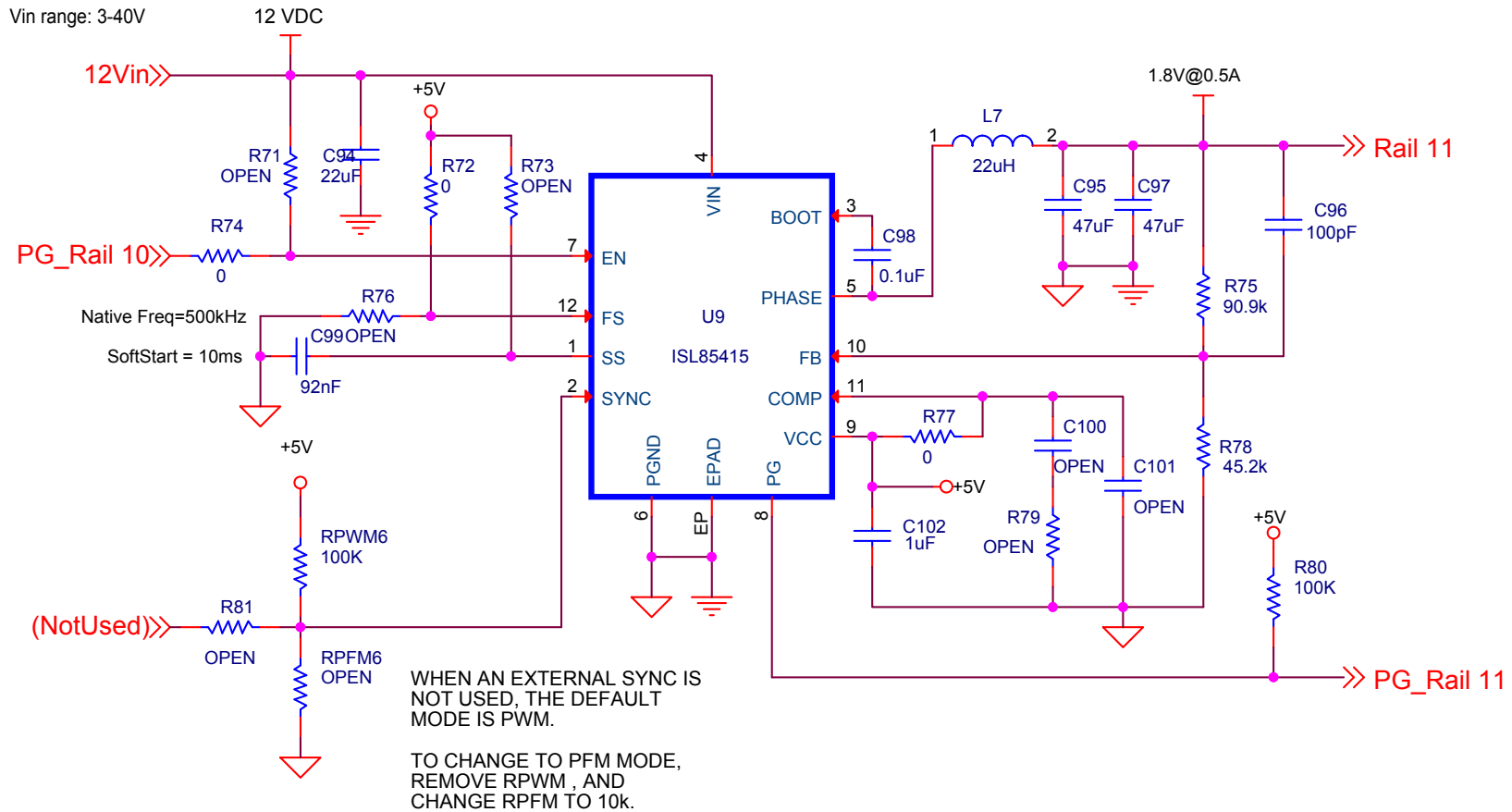
ISL85412 SINGLE OUTPUT (150mA)

VIN RANGE:
3.5 .. 40V



Title		
ISL85412-SINGLE-1		
Size	Document Number	Rev
A	<Doc>	
Date:	Thursday, March 09, 2017	Sheet 8 of 10

ISL85415 SINGLE OUTPUT (500mA)



Title		
ISL85415-SINGLE-1		
Size A	Document Number	Rev
Date:	Thursday, March 09, 2017	Sheet 10 of 10