

## Abstract

The Intersil's Digital Power Monitor family is a highly versatile and flexible product. This Application Note will briefly describe the digital power monitor and present a variety of design ideas in which you can use a digital power monitor in assortment of different applications.

## Table of Contents

<b>Introduction</b> .....	<b>3</b>
<b>ISL28022 Key Features</b> .....	<b>3</b>
<b>ISL28023 Key Features</b> .....	<b>3</b>
<b>ISL28025 Key Features</b> .....	<b>3</b>
<b>Related Literature</b> .....	<b>4</b>
<b>Ideas Using ISL28022</b> .....	<b>4</b>
Point-of-Load Power Monitor .....	4
Adjustable Point-of-Load Monitor .....	4
Power Monitor Boost Regulation .....	4
Floating Supply DPM (>60V or <0V Operation) .....	5
Force Voltage Measure Current and Voltage .....	5
A Lossless Current Sense Circuit .....	7
Improved Hall Effect Sensing .....	7
Combustible Gas Sensor Circuit .....	7
An Efficiency Measurement Using the DPM Broadcast Feature .....	8
Monitoring Multicell Battery Levels Using the DPM Broadcast Command .....	9
Precision Current Sense .....	10
<b>Ideas Using ISL28023</b> .....	<b>11</b>
Generic Buck Regulator POL Circuit .....	11
Generic LDO Regulator POL Circuit .....	12
Generic Boost Regulator POL Circuit .....	13
High-Side Voltage and Current Circuit .....	14
Using a Switch as a Sense Resistor .....	15
4 Gas Sensing Circuit .....	16
<b>Ideas Using ISL28025</b> .....	<b>17</b>
Generic Buck/Boost Regulator POL Circuit .....	17
Measure AC Currents .....	18
Sensor Monitor .....	18
Real Time Power Monitor System for Real Time Operating Systems, RTOS .....	19
DPM Used as a Control and Alert for a Multicell Balancing Circuit .....	22
PMBus Compatible Products Simplifies System Designs and Programming Them .....	23

## List of Figures

FIGURE 1.	Point-of-Load Monitoring Design Idea .....	4
FIGURE 2.	Adjustable Point-of-Load Monitoring Design Idea .....	4
FIGURE 3.	Power Monitor Boost Regulator Design Idea .....	5
FIGURE 4.	Floating Supply Design Idea .....	5
FIGURE 5.	A Simplified Schematic of a Force Voltage Measure Voltage and Current Circuit with Low Current Drive Capability .....	5
FIGURE 6.	A Simplified Schematic of a Force Voltage Measure Voltage and Current Circuit with a Push-Pull Output Stage .....	6
FIGURE 7.	A Simplified Circuit Diagram of Remotely Measuring Current Through a Trace .....	7
FIGURE 8.	An Illustration of Current Flow with Respect to the Magnetic Field Direction .....	7
FIGURE 9.	A Simplified Circuit Diagram of a Hall Effect Sensor that Integrates the Current Conduction Path .....	7
FIGURE 10.	A Simplified Diagram of a Combustible Gas Sensor Circuit Using the ISL28022 .....	8
FIGURE 11.	A Simplified Circuit that Uses Two ISL28022 to Measure a System Efficiency .....	9
FIGURE 12.	A Simplified Multicell Monitoring Circuit .....	10
FIGURE 13.	A Simplified Circuit Diagram that Measures Current and Temperature .....	11

---

FIGURE 14.	Generic POL Circuit Using a Buck Converter and the ISL28023	11
FIGURE 15.	Generic POL Circuit Using a LDO Converter and the ISL28023	12
FIGURE 16.	Generic POL Circuit Using a Boost Converter and the ISL28023	13
FIGURE 17.	A Simplified Circuit Illustration Showing Multiple ISL28023s Connected to One SMBUS and One SMBALERT1 Line	14
FIGURE 18.	Generic POL Circuit Using an LDO Converter and the ISL28023	15
FIGURE 19.	Low-Side Voltage and Current Monitoring Circuit that Uses SMBALERT1 as a Control	15
FIGURE 20.	A Simplified Schematic of a Switch Used as a Sense Resistor	15
FIGURE 21.	Resistance vs Current	16
FIGURE 22.	A Simplified Schematic for Gas Sensing	16
FIGURE 23.	Generic POL Circuit Using a Buck/Boost Converter and the ISL28025	17
FIGURE 24.	$V_{SHUNT}$ Bandwidth vs ADC Timing	18
FIGURE 25.	Simplified Circuit Using the ISL28025 to Measure AC Currents	18
FIGURE 26.	Primary $V_{SHUNT}$ AC Common-Mode Voltage Range	18
FIGURE 27.	Simplified Schematic of a Pressure Monitor with a Safety Feature	19
FIGURE 28.	Simplified Example of Two ISL28025 Configured to Measure Real Time to a RTO System	20
FIGURE 29.	Group Command (A) without PEC (B) with PEC	20
FIGURE 30.	Measurement Bandwidth vs External CLK Frequency	21
FIGURE 31.	Simplified Circuit that Measures Power Delivered to the RTO System at a Slower Rate	21
FIGURE 32.	Simplified Circuit for Multicell Balancing	22
FIGURE 33.	An Example of a Power Distribution System Using the ISL28025 and Intersil ZLXXX Series	23

## Introduction

The Digital Power Monitor (DPM) is a digital current, voltage and power monitoring device for high and low-side power monitoring in positive and negative voltage applications. DPMs require an external shunt resistor to enable current measurements and translate the bus current to a voltage. The DPM measures the voltage across the shunt resistors and reports the measured value out digitally via an I<sup>2</sup>C interface. A register within the DPM is reserved to store the value of the shunt resistor, which allows the DPM to output a current value to an external digital device.

The DPM measures bus voltage and current sequentially. It has a power measurement functionality that multiplies the measured current and voltage values, which is then stored in a unique register. This measurement allows the user to monitor power to or from the load in addition to current and voltage. The DPM can monitor supplies from 0V to 60V while operating on a chip supply ranging from 3V to 5.5V. The internal ADC sample rate can be configured to an internal oscillator (500kHz) or a user can provide a synchronized clock.

The [ISL28022](#) is a basic digital power monitor with a single/primary channel that can measure voltage from 0V to 60V.

The [ISL28023](#) has two channels, which allow the user to monitor the voltage, current and power on two power supply rails. The two channels for the DPM consist of a primary channel and an auxiliary channel. The primary channel will allow and measure voltages from 0V to 60V or from 0V to 16.384V, depending on the option of the ISL28023. The auxiliary channel can tolerate and measure voltage from 0V to V<sub>CC</sub>.

The [ISL28025](#) has an additional low voltage read to measure a voltage after the rail has been regulated. The primary channel will allow and measure voltages from 0V to 60V or from 0V to 16.384V, depending on the option of the ISL28025. The auxiliary channel can tolerate and measure voltage from 0V to V<sub>CC</sub>.

The ISL28023 and ISL28025 have continuous fault detection for the primary channel only. It can be configured to set an alert for an overvoltage, undervoltage and/or overcurrent event with a response time of 500ns from the event. The ISL28023 and ISL28025 have a temperature sensor with fault detection. An 8-bit margin DAC, controllable through I<sup>2</sup>C communication, is incorporated into the DPM. A voltage margining feature allows for the adjustment of the regulated voltage to the load. The margin DAC can help in proving the load robustness versus the applied supply voltage. The ISL28023 and ISL28025 offer a 3.3V voltage regulator that can be used to power the chip in addition to low power peripheral circuitry. The DPM has an I<sup>2</sup>C power pin that allows the I<sup>2</sup>C master to set the digital communication supply voltage to the chip, an operating supply voltage range of 3V to 5.5V, and can accept I<sup>2</sup>C supply voltages between 1.2V and 5.5V. The DPM accepts SMBus protocols up to 3.4MHz. The ISL28023 and ISL28025 are PMBus compliant up to 400MHz. The device has Packet Error Code (PEC) functionality, which uses an 8-bit Cyclic Redundance Check (CRC-8) represented by the polynomial  $x^8+x^2+x+1$ . The ISL28023 and ISL28025 can be configured for up to 55 unique slave addresses using 3 address select bits allowing 55 parts to communicate on a single I<sup>2</sup>C bus. This gives the designer the flexibility to select a unique address

when another slave address conflicts with the DPM on the same I<sup>2</sup>C bus.

## ISL28022 Key Features

- Integrated analog front end with digital output
  - Analog switch/MUX, ADC, voltage reference
  - Digital processing/serial communication circuitry (I<sup>2</sup>C/SMBus)
- Voltage, current, power monitoring and current direction
  - Current Sense: high-side, low-side, bidirectional
  - Wide common-mode input voltage range: 0V to 60V
  - Digital output
- Precision/accuracy
  - 16-bit  $\Sigma\Delta$  ADC
  - Voltage/current measurement error: <0.3%

## ISL28023 Key Features

- Integrated analog front end with digital output
  - Analog switch/MUX, ADC, voltage reference
  - Digital processing/serial communication circuitry (I<sup>2</sup>C/SMBus/PMBus)
- Voltage, current, power monitoring and current direction
  - Current sense: high-side, low-side, bidirectional
  - Wide common-mode input voltage range: 0V to 60V
  - Digital output
  - Internal 3.3V regulator
  - Internal temperature sense
  - 8-bit voltage output DAC
  - Auxiliary channel available
- Precision/accuracy
  - 16-bit  $\Sigma\Delta$  ADC
  - Voltage/Current Measurement Error: <0.05%

## ISL28025 Key Features

- Integrated analog front end with digital output
  - Analog switch/MUX, ADC, voltage reference
  - Digital processing/serial communication circuitry (I<sup>2</sup>C/SMBus/PMBus)
- Voltage, current, power monitoring and current direction
  - Current sense: high-side, low-side, bidirectional
  - Wide common-mode input voltage range: 0V to 60V
  - Digital output
  - Internal 3.3V regulator
  - Internal temperature sense
  - Auxiliary low voltage input channel
- Precision/accuracy
  - 16-bit  $\Sigma\Delta$  ADC
  - Voltage/current measurement error: <0.05%

## Related Literature

- [ISL28022](#) datasheet
- [ISL28023](#) datasheet
- [ISL28025](#) datasheet

## Ideas Using ISL28022

### Point-of-Load Power Monitor

The circuit illustrated in [Figure 1](#) is a solution that can be used to monitor a load's performance. The voltage regulator regulates to a Point-of-Load (POL) voltage. 5V, 3.3V, 2.5V and 1.8V are examples of POL voltages.

The main bus voltage applied to the voltage regulator regulates the voltage to the load at the VINM, VBUS and Sense node for the configuration shown in [Figure 1](#). The shunt resistor in the circuit allows the current to be monitored while regulating the voltage to the load. For example, the maximum shunt voltage the ISL28022 is able to measure is  $\pm 320\text{mV}$ . The shunt resistor value is determined by [Equation 1](#):

$$R_{\text{SHUNT}} = R_{\text{SH}} = \frac{0.32}{\text{Current}_{\text{FS}}} \quad (\text{EQ. 1})$$

Current<sub>FS</sub> is the maximum current to be measured through the load. This is chosen by the user.

The DPM has Overvoltage/Undervoltage (OV/UV) sensing circuitry for the Bus and Shunt inputs. The levels of the error detection circuitry are controlled digitally via an I<sup>2</sup>C/SMBus interface. The status of each inputs' error detection can be read digitally via a register. The DPM allows for the summation of error detection bits to be routed to an interrupt pin. For the point-of-load monitoring circuit shown in [Figure 1](#), the interrupt pin is connected to the enable pin of the regulator. In a fault condition, the DPM will trigger an interrupt causing the voltage regulator to shut down. When a fault exists, the DPM interrupt pin output state can be digitally programmed.

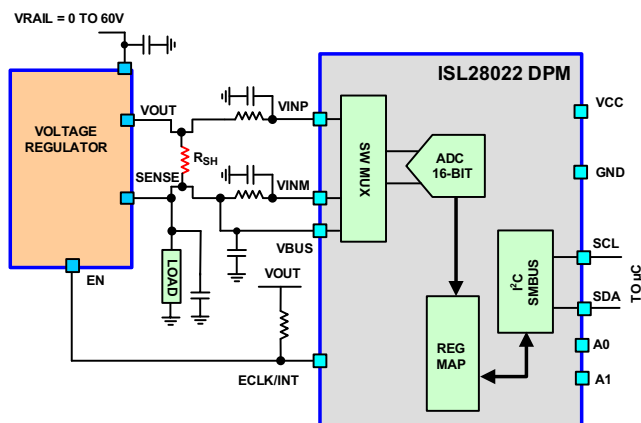


FIGURE 1. POINT-OF-LOAD MONITORING DESIGN IDEA

The DPM calculates the power and current internally and stores the results in an internal register. The V<sub>BUS</sub> connected directly to the load, enables a measurement system that monitors power to the load.

### Adjustable Point-of-Load Monitor

Many applications require unique voltages to optimize a circuit's potential. [Figure 2](#) is a microcontroller selectable Point-of-Load (POL) circuit. The circuit is very similar to the POL monitor discussed previously. The General Purpose Input Output (GPIO) bits of the microcontroller controls a multiplexer, which connects a gain setting resistor to the adjust (ADJ) pin of the regulator. The feedback resistance (R<sub>F</sub>), the multiplexer switch resistance and the value of the gain setting resistor (R<sub>1</sub> to R<sub>8</sub>) determine the regulated output voltage (POL\_V) to the load. [Equation 2](#) is a generic formula to determine the regulated POL\_V.

$$\text{POL\_V} = \alpha \cdot \left( \frac{R_F}{R_x + R_{\text{mux}}} + 1 \right) \quad (\text{EQ. 2})$$

The coefficient alpha,  $\alpha$ , is dependent on the designed in regulator. For the ISL80101-ADJ,  $\alpha$  equals 0.5. R<sub>x</sub> is the value of the gain resistor (R<sub>1</sub> to R<sub>8</sub>) selected by the microcontroller. R<sub>mux</sub> is the multiplexer switch resistor value. The multiplexer switch resistance is a function of the current flowing through the switch. A general practice is to choose resistor values such that current flowing through the multiplexer is small. The ISL84781 has an ON-resistance of 0.4 $\Omega$ .

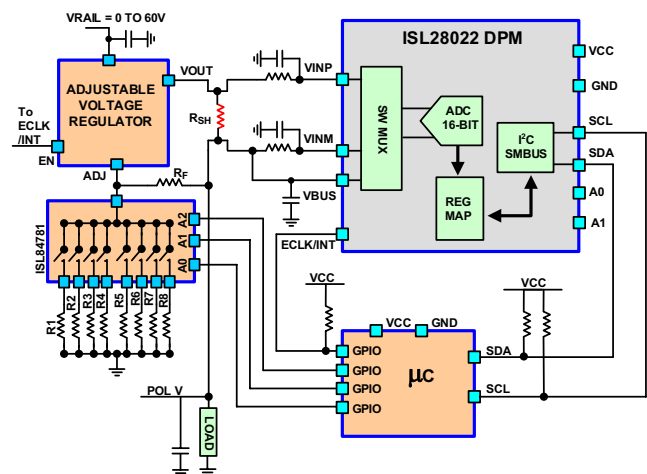


FIGURE 2. ADJUSTABLE POINT-OF-LOAD MONITORING DESIGN IDEA

### Power Monitor Boost Regulation

The power monitor boost regulator application is an example of the DPM used as a digital helper ([Figure 3](#)). With minimal circuitry, the DPM enables smart designs that digitally monitor the electrical parameters to a load. Alternative designs require a current amplifier paired with an ADC. The ADC chosen is often not compliant to common communication standards, such as I<sup>2</sup>C. The DPM solves this problem and allows for 16 devices on a single I<sup>2</sup>C bus.

The ISL97519A chip is a high efficiency step-up voltage regulator. The maximum peak inductor current the regulator can deliver is 2.0A. If more output current is needed, the ISL97656 is rated for 4.0A maximum peak inductor current. For this particular application, the ISL97519A is configured to step up the voltage at the VDD pin to 12V. The voltage at VDD can range from 2.3V to 5.5V for normal 12V regulated operation. A USB power pin could be used to drive the ISL97519A.

The regulation node of the circuit, shown in [Figure 3](#) is at  $V_{OUT}$ . The ISL97519A has feedback circuitry that removes the current sense resistor,  $R_{SH}$ , from impacting the regulation voltage. [Equation 1](#) on [page 4](#) shows the formula used to calculate  $R_{SHUNT}$ .

The DPM interrupt pin is connected to the Enable pin of the regulator. The DPM has OV/UV alerts for both the Bus and Shunt channels. A fault condition from either channel powers down the voltage regulator.

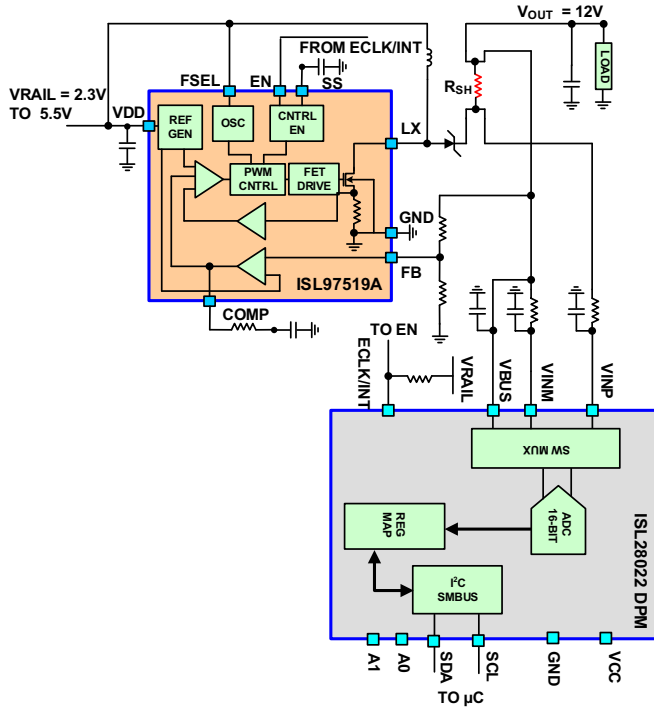


FIGURE 3. POWER MONITOR BOOST REGULATOR DESIGN IDEA

### Floating Supply DPM (>60V or <0V Operation)

The DPM is operational when the potential of the measured circuitry is greater than the potential at the ground pin. In most applications the ground pin potential equals 0V. A zero potential ground reference limits the operating range of the DPM to 0V to 60V. This application illustrates the connectivity of the DPM to measure and operate at potentials greater than 60V or less than 0V.

Assume the application measures a -48V supply. The ground reference voltage of the system,  $V_{low}$ , equals -48V.  $V_{high}$  equals 0V for the example. The power supply voltage to the system is -48V. The load supply voltage is set by the voltage regulator,  $V_{LOAD}$  Reg. The regulator can be either a shunt or a linear regulator.

The voltage levels for I<sup>2</sup>C communication lines are determined by  $V_{low}$  and the DPM shunt regulator. A low voltage equals the  $V_{low}$  potential. A high level equals the summation of  $V_{low}$  and the shunt regulator voltage. For a -48V system with a 3.3V shunt regulator, a low voltage equals -48V and a high voltage level equals -44.7V. The voltage from the I<sup>2</sup>C communication pins can not be directly connected to a ground referenced microcontroller. The optocouplers are used to translate the voltage level from the -48V referenced system to the ground referenced microcontroller system.

The DPM measures voltage between two nodes. For the shunt input, the DPM measures the voltage between VINP and VINM nodes. For the Bus input, the DPM measures the difference between  $V_{BUS}$  and GND nodes. The  $V_{BUS}$  voltage for a floating system is calculated using [Equation 3](#):

$$V_{BUS} = V_{LOW} + (VBUS_{LSB} \cdot VBUS_{REG}) \tag{EQ. 3}$$

$V_{LOW}$  is the ground reference voltage of the system. In this instance, the value is -48V.  $VBUS_{LSB}$  is the step size of the  $V_{BUS}$  measurement, which equals 4mV.  $VBUS_{REG}$  is the integer value of the  $V_{BUS}$  measurement reported by the DPM.

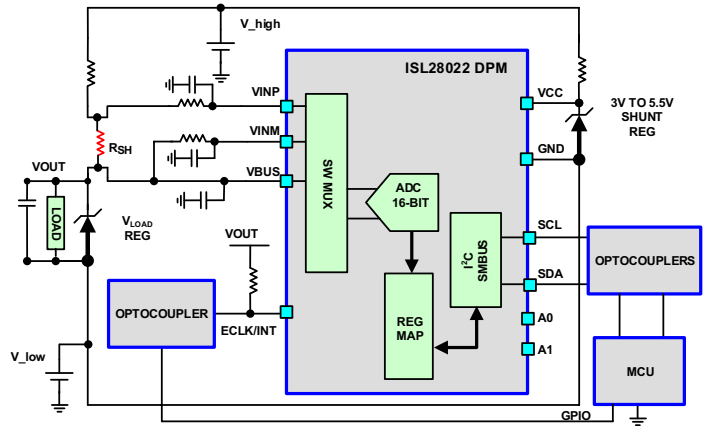


FIGURE 4. FLOATING SUPPLY DESIGN IDEA

### Force Voltage Measure Current and Voltage

Many applications require testing of components or validating a system's performance by utilizing circuits that force voltage and measure current and voltage to a specific connection point. The circuit in [Figure 5](#) is a force voltage measure current and voltage circuit.

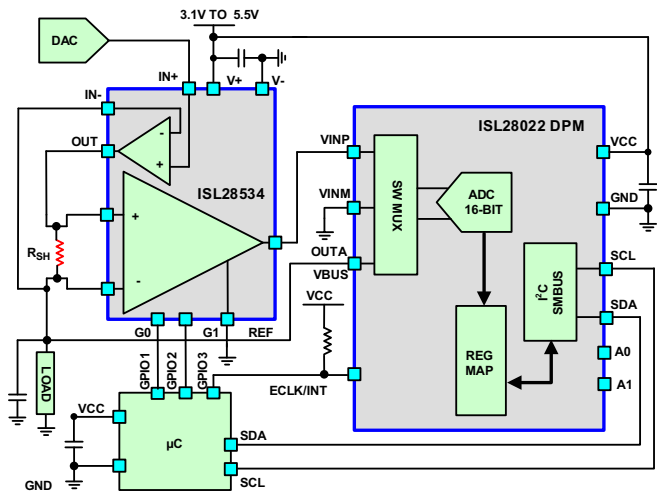
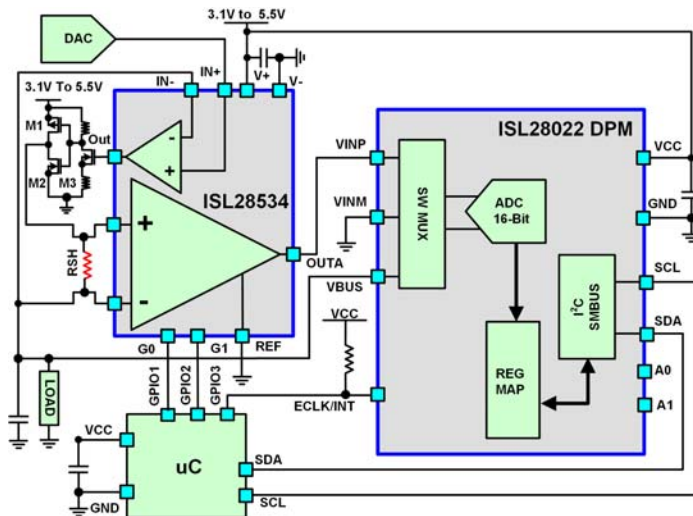


FIGURE 5. A SIMPLIFIED SCHEMATIC OF A FORCE VOLTAGE MEASURE VOLTAGE AND CURRENT CIRCUIT WITH LOW CURRENT DRIVE CAPABILITY

The Digital-to-Analog Converter, DAC, is configured by the microcontroller. The DAC is either integrated into the microcontroller or a standalone discrete device depending on the level of precision needed. The output of the DAC is fed into the

noninverting input of the ISL28534. The ISL28534 is a chopper-stabilized single output instrumentation amplifier with an additional operational amplifier (op amp) integrated into the die. The allowable voltages that can be fed to the op amp are 0.1V to V+ - 0.1V. The allowable supply voltages to the circuit ranges from 3.1V to 5.5V. The integrated op amp regulates the voltage to the load while delivering current. The op amp can successfully regulate the programmed voltage up to 1mA. For greater than 1mA drive currents, an external operational amplifier with higher current may be needed. Another approach is to add a push-pull output stage between the output of the integrated op amp and the sense resistor. The push-pull output stage that enables higher drive capability for the circuit is shown in [Figure 6](#).



**FIGURE 6. A SIMPLIFIED SCHEMATIC OF A FORCE VOLTAGE MEASURE VOLTAGE AND CURRENT CIRCUIT WITH A PUSH-PULL OUTPUT STAGE**

The addition of the power MOSFETs between the shunt resistor,  $R_{SH}$ , and the load increases the drive current to the load. The MOSFETs are labeled M1 and M2 in [Figure 6](#).

The feedback loop of the shunt resistor,  $R_{SH}$ , and the power MOSFETs, M1 and M2, between the IN- terminal and Out terminal of the op amp, enhances the drive capability to the load. The IN- terminal regulates the voltage to the load, while the current is steered from 3.1V to 5V supply through the MOSFET, M1, to the load. The additional power stage limits the voltage delivered to the load.

Integrated into the ISL28534 is an instrumentation amplifier, IA, that can be configured to 1 of 9 gain ranges. The ISL28534 is one product of a family of six products. The products are differentiated by gain values and the number of outputs. The purpose of the Instrumentation Amplifier, IA, is to extend the measurable current range by using one sense resistor.

The ISL28534 gain selection spans from 1 to 1000. The voltage noise floor of the IA is 0.5 $\mu$ V at a high gain. The lowest voltage the IA can resolve is 1 $\mu$ V as a conservative value. The ISL28534 has an input offset current of 300pA at room temperature. The lowest current that can be measured is 500pA. The current value is dependent on the operational temperature range of the circuit.

The output of the IA connects to the shunt input (VINP, VINM) of the DPM. The full scale measurable range of the shunt input is  $\pm$ 320mV. Voltage readings that exceed 320mV in magnitude, require a reduction of gain in the IA setting. The DPM digital comparators can be set to fire an interrupt for readings above 320mV. The interrupt can be routed to either the interrupt or a GPIO pin of the microcontroller. The connection allows the DPM to notify the microcontroller to decrement the gain of the IA when the output reading of the IA exceeds 320mV.

If the minimum current to be measured is 500pA, what is the shunt resistor value,  $R_{SH}$ , and the full scale current that the circuit can measure? The lowest measured current reading should occur at the IA's highest gain while the voltage drop across the shunt resistor equals the IA resolution voltage. The bounded criterion discussed determines the shunt resistor value. The shunt resistor value can be calculated using [Equation 4](#):

$$R_{sense} = R_{SH} = \frac{V_{IA\_Res}}{I_{min}} \quad (\text{EQ. 4})$$

$V_{IA\_Res}$  is the resolution value of the IA, which equals 1 $\mu$ V for the application.  $I_{min}$  is the minimum current to be measured. The example shows  $I_{min}$  equals 500pA. The shunt resistor is calculated to be 2k $\Omega$ .

The full scale current of any IA gain setting can be calculated using [Equation 5](#):

$$\text{Current}_{FS} = \frac{V_{shunt\_range}}{G_{IA} \cdot R_{sense}} \quad (\text{EQ. 5})$$

$G_{IA}$  is the IA gain setting.  $R_{sense}$  is the shunt resistor value, which equals 2k $\Omega$  for the giving example.  $V_{shunt\_range}$  is the PGA range setting for the DPM. For example, the shunt range setting value is 320mV. The full scale current range for the circuit occurs at an IA gain setting of 1. Using [Equation 5](#), the measurable full scale current equals 150 $\mu$ A.

The Least Significant Bit, LSB, for the shunt input equals 10 $\mu$ V for the DPM. The current $_{LSB}$  can be calculated using [Equation 6](#):

$$\text{Current}_{LSB} = \frac{\text{Current}_{FS}}{G_{IA} \cdot \text{ADC}_{res}} \quad (\text{EQ. 6})$$

The  $\text{ADC}_{res}$  equals 2<sup>15</sup> or 32768 for the example. The  $\text{Current}_{FS}$  is calculated using [Equation 5](#). The  $G_{IA}$  is the gain of the IA. The  $V_{BUS}$  input of the DPM is connected to the load allowing for power measurements. The  $V_{BUS}$  can also be connected as an independent node. The power measurement value returned from the DPM would be meaningless.

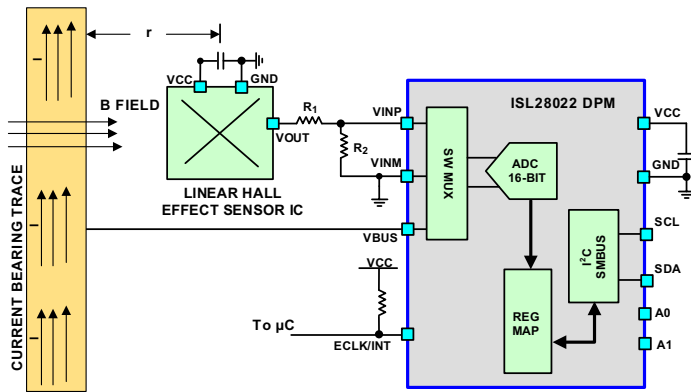


FIGURE 7. A SIMPLIFIED CIRCUIT DIAGRAM OF REMOTELY MEASURING CURRENT THROUGH A TRACE

### A Lossless Current Sense Circuit

In measuring power to and from a system or load, the minimum voltage loss due to a sensing element and trace resistance is desired. The low voltage loss improves the efficiency of a system. The circuit in Figure 7 measures current through a trace by measuring the magnetic field, B, emitted from the current flowing through the trace. The B field is directly proportional to the magnitude and direction of the current flowing through the trace. The B field is perpendicular to the current flow. The direction of the B field with respect to current flow is illustrated in Figure 8.

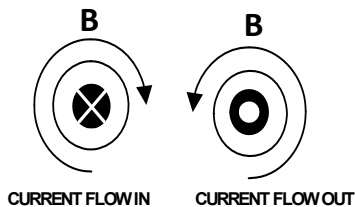


FIGURE 8. AN ILLUSTRATION OF CURRENT FLOW WITH RESPECT TO THE MAGNETIC FIELD DIRECTION

The mathematical relation between the magnitude of the current and the magnetic field is represented in Equation 7:

$$B = \frac{\mu_0 \cdot I}{2 \cdot \pi \cdot r} \quad I = \frac{2 \cdot \pi \cdot r \cdot B}{\mu_0} \quad (\text{EQ. 7})$$

$\mu_0$  is the permeability of the magnetic field flow. The permeability value,  $\mu_0$ , of free space equals  $4\pi \cdot 10^{-7}$  H/m. The value  $r$  is the distance in meters between the conductor and the linear hall effect sensor. The  $I$  is the current flowing in amps through the conductor.  $B$  is the magnetic field in Gauss.

#### CAUTION:

Every technology has drawbacks. The lossless current sense is no exception. Hall effect sensors measure the total available magnetic field at the set location. Current bearing traces routed near the sensor will change the magnetic field at the sensor and ultimately change the accuracy of the measurement. The sensor will also measure changes in the environmental magnetic field. This could be due to a switching motor or any device that radiates energy. A magnetic shield can encapsulate the current bearing

trace of interest and the hall effect sensor to reduce the environmental interference the sensor is subjected to. The magnetic shield will change the gain between the current flowing in the trace and the output voltage of the sensor.

The resistor divider,  $R_1$  and  $R_2$ , in Figure 7 attenuates the voltage from the linear hall effect sensor to the maximum voltage range, 320mV, of the ISL28022  $V_{SHUNT}$  input ( $V_{INP}$ ,  $V_{INM}$ ). The  $V_{BUS}$  input of the ISL28022 is connected to the current bearing trace allowing the ISL28022 to calculate power to the load.

### Improved Hall Effect Sensing

Recently, linear hall effect sensors that integrate the current conduction path, and provide environmental shielding and temperature compensation circuitry in a single package, have improved the drawbacks associated with the linear hall effect sensor. The integrated solution simplifies the gain calculation between the current flowing through the conductor and the output voltage. The single chip solution also simplifies the layout because the current bearing wire is a set distance from the hall effect sensor.

The integrated conduction path (IP+, IP-) has resistance ranging from 0.1m $\Omega$  to 2m $\Omega$ . The current sense in Figure 9 is not a lossless system.

The resistor divider,  $R_1$  and  $R_2$ , in Figure 9 attenuates the voltage from the linear hall effect sensor to the maximum voltage range, 320mV for example, of the ISL28022  $V_{SHUNT}$  input ( $V_{INP}$ ,  $V_{INM}$ ). The  $V_{BUS}$  input of the ISL28022 is connected to the current bearing trace allowing the ISL28022 to calculate power to the load.

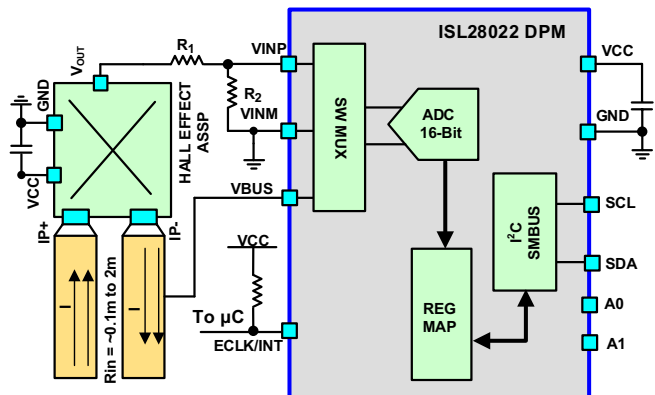


FIGURE 9. A SIMPLIFIED CIRCUIT DIAGRAM OF A HALL EFFECT SENSOR THAT INTEGRATES THE CURRENT CONDUCTION PATH

### Combustible Gas Sensor Circuit

The DPM measures current by measuring a voltage across the shunt inputs ( $V_{INM}$ ,  $V_{INP}$ ). A 15-bit digital number representing the sense resistor value is stored in the calibration register. The DPM divides the voltage measured across the shunt inputs by the calibration register value and stores the results in the current register.

In the combustible gas sensor application ([Figure 10](#)), the current measurement reading from the DPM is not used. The voltage reading across the Wheatstone bridge determines the concentration of gas in the environment. The resistive network on the left leg of the Wheatstone bridge is a coarse null to the combustible gas sensor. The ISL95810 is a Digitally Controlled Potentiometer (DCP). The DCP is used to fine tune the null potential to 0V across the shunt inputs for a known concentration of gas. In the event of a power interruption to the circuit, the ISL95810 has nonvolatile memory integrated with the DCP. The DCP will default to the save memory position once power is resumed to the circuit.

The gain between the change in concentration and the change in volts varies between sensors and sensing gas. The DPM has a digital comparator that can trigger an interrupt line when a voltage exceeds a set level. A set voltage threshold for the shunt input corresponds to a set gas level. When the concentration of gas exceeds a set level, the DPM triggers an alarm causing the ECLK/INT pin to transition from V<sub>CC</sub> voltage level to ground. The ground potential activates the relay and disable power to the sensor circuit. [See "4 Gas Sensing Circuit" on page 16.](#)

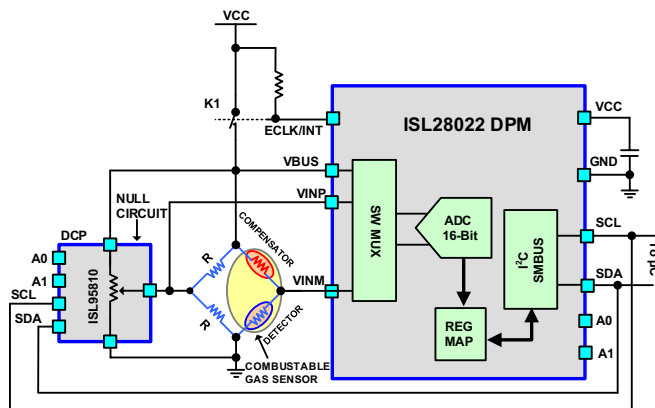


FIGURE 10. A SIMPLIFIED DIAGRAM OF A COMBUSTIBLE GAS SENSOR CIRCUIT USING THE ISL28022

## An Efficiency Measurement Using the DPM Broadcast Feature

As energy costs rise and the world focuses on clean energy, there is a need for electronics to efficiently convert power delivered to a circuit into work performed. Power efficiency,  $\eta$ , is an electronic

parameter used to quantify the efficiency of a system. [Equation 8](#) defines the formula for power efficiency.

$$\eta = \left( \frac{P_{\text{load}}}{P_{\text{total}}} \right) \cdot 100 \quad (\text{EQ. 8})$$

$P_{\text{total}}$  is the power delivered to current leg prior to being converted.

In the electronics field, efficiency ratings are mostly associated with converting power from one form to another. Examples of power conversion circuitry are DC/DC converters, AC/DC converters, buck/boost regulators and digital regulators.  $P_{\text{load}}$  is the power delivered to the load.

The simplified circuit in [Figure 11 on page 9](#) is an example of using two ISL28022s to measure the efficiency of a DC/DC converter (ISL95870). The first ISL28022, DPM1, measures the total power,  $P_{\text{total}}$ , for the circuit. DPM2 measures power to the load,  $P_{\text{load}}$ . DPM1 and DPM2 are connected to the same I<sup>2</sup>C bus. The two ISL28022s can synchronously measure their respective signals by sending a broadcast trigger command sent to each device. A broadcast trigger command that instructs each ISL28022 device to measure both current and voltage is achieved by writing to the command register, register 0, using the slave address of 0x7F. The slave address 0x7F will write to all ISL28022s independent of address setting.

The command register, register 0, configures the range setting for both bus (BRNG) and shunt (PG) inputs and the sampling mode for the chip. The command register also configures the ADC sampling rate for both channels of the ISL28022. To successfully synchronize the ISL28022s to sample simultaneously, each ISL28022 has to have the same bus and shunt range and ADC acquisition settings.

Assume a bus range of 16V, a shunt range of 40mV and an ADC acquisition rate of 508 $\mu$ s for both channels. A single power acquisition will be made and the chip will sit idle. The command that is sent simultaneously to both chips is 0x7F, 0x00, 0x019B. The ranges for each input are for the lowest settings. PGA = BRNG = 0. The ADC acquisition rate is the same for both channels. SADC = BADC = 3 or 508 $\mu$ s. The setting for the mode bits is 3. Once the write command has been received and executed by the ISL28022, the ADC will begin converting the signal. The two ISL28022s should be synchronized as long the distance between master (microcontroller) and ISL28022 are roughly the same between the two ISL28022s.

Once the ADC has completed the conversion for both bus and shunt channels, the master should read register 3 of each ISL28022 serially.



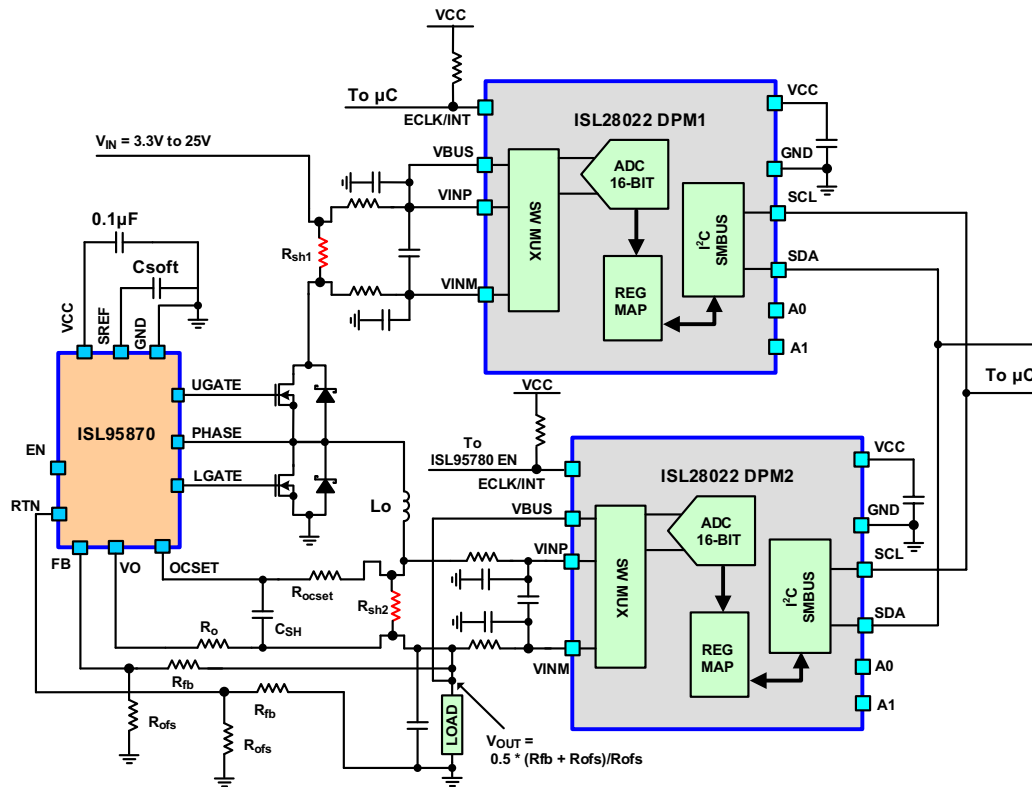


FIGURE 11. A SIMPLIFIED CIRCUIT THAT USES TWO ISL28022 TO MEASURE A SYSTEM EFFICIENCY

## Monitoring Multicell Battery Levels Using the DPM Broadcast Command

There are many battery chemistries in today's marketplace. Each battery chemistry has its own unique benefits and drawbacks. For example, lithium ion batteries can deliver a lot of power to a load for an extended period of time but the technology comes with a cost due to the exotic materials used to construct the battery. Lithium ion cells degrade uniquely with each charge and discharge cycle. Lithium ion batteries often are paired with multicell balancing circuits to maximize battery life and discharge time.

Lead acid batteries are cheap and a mature technology. Lead acid batteries have a predictable and uniform degradation versus discharge and charging cycles. The batteries have more loss with respect to delivering power to a load. Many customers that use lead acid battery technology do not require multicell balancing but desire cell monitoring to determine the charge on the battery. It is similar to fuel gauge measurement.

Figure 12 on page 10 is a simplified circuit that monitors each cell of a 48V battery pack. The ISL28022 can measure voltages up to 60V. The ground of each ISL28022 is referenced to the ground of the battery pack. The negative terminal of the  $V_{BUS}$  input is the ground pin of the ISL28022. The ISL28022 has a unique feature that allows a master, microcontroller, to talk to all ISL28022s with one command. The use of the 0x7E slave address allows the master to write to all registers at once. The reading of the registers still has to be performed sequentially. The broadcast command allows the synchronization of measurements between two or more ISL28022.

Once a measurement has been retrieved by the master, each cell voltage is calculated by a series of subtractions.

$$V_{cell1} = V_{BUS}(DPM1)$$

$$V_{cell2} = V_{BUS}(DPM2) - V_{BUS}(DPM1)$$

$$V_{cell3} = V_{BUS}(DPM3) - V_{BUS}(DPM2)$$

$$V_{cell4} = V_{BUS}(DPM4) - V_{BUS}(DPM3)$$

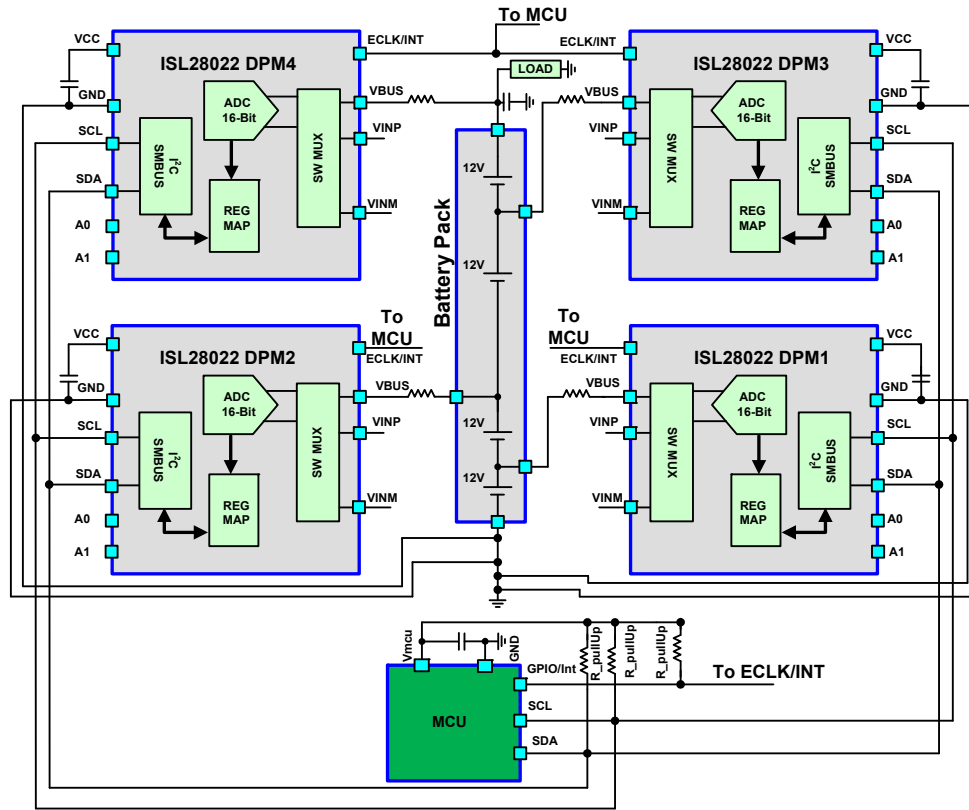


FIGURE 12. A SIMPLIFIED MULTICELL MONITORING CIRCUIT

### Precision Current Sense

The inaccuracies in most current-sensing applications reside with either the sense resistor or the measurement system. The ISL28022 has a measurement accuracy of  $\pm 0.2\%$  typically. Depending on the magnitude of the current to be sensed, the current sense resistor,  $R_{SH}$ , is the least accurate device of the system. Applications that require large current measurements use small valued shunt resistors. The material composition of small resistors are often constructed with metal. Metal has a high temperature coefficient. Copper's temperature coefficient is 3862ppm/K. For a 50A current measurement system, the sense resistor value equals 0.8m $\Omega$ . Equation 9 is the relationship between Kelvin (K), Celsius (C) and Fahrenheit (F) temperatures.

$$C = \frac{5}{9} \cdot (F - 32) \quad C = K - 273 \quad (EQ. 9)$$

Suppose a sense resistor, consisting of mostly metal, changes by 10°C. Assume the temperature coefficient of the sense resistor is 600ppm/C. The change in shunt resistance for a 10°C rise is calculated using Equation 10:

$$R = R_0 \cdot (1 + TC \cdot \Delta T) \quad (EQ. 10)$$

$R_0$  is the original value of the resistor at  $T$  which equals  $T_0$  (0.8 $\Omega$ ).  $TC$  is the temperature coefficient of the shunt resistor (600ppm/C).  $\Delta T$  is the change in temperature (+10°C). The new resistance value of the shunt resistor is 0.8048m $\Omega$ . or a 0.6% change in resistance. The change in resistor value directly affects the measurement accuracy of the system.

Measuring the temperature change of the sense resistor with a known TC stabilizes the system accuracy measurement versus temperature. The simplified circuit in Figure 13 on page 11 measures current and temperature. The ISL71590 or the commercial version of the part is a temperature sensor that outputs a current with respect to temperature. The output current changes 1 $\mu$ A/K.

Equation 11 is the temperature calculation with respect to a chosen  $r_{load}$  ( $R_1$ ) value.

$$T_C = \frac{V_{BUS}}{1\mu \cdot R_1} - 273 \quad (EQ. 11)$$

$T_C$  is the temperature in centigrade.  $V_{BUS}$  is the bus voltage measured across the  $R_1$  resistor. The  $V_{BUS}$  connects to the ISL28022.  $R_1$  is the load resistor for the circuit. The temperature sensor needs at least 4V to operate. Equation 12 calculates the  $R_1$  value that yields the largest temperature to voltage gain ratio.

$$R_1 = \frac{V - 4}{(T_{max} + 273) \cdot 1 \cdot \mu} \quad (EQ. 12)$$

$V$  is the voltage applied to the temperature sensor and the resistor. The temperature sensor requires a 4V drop across the sensor to be operational.  $T_{max}$  is the maximum temperature to be measured in centigrade.

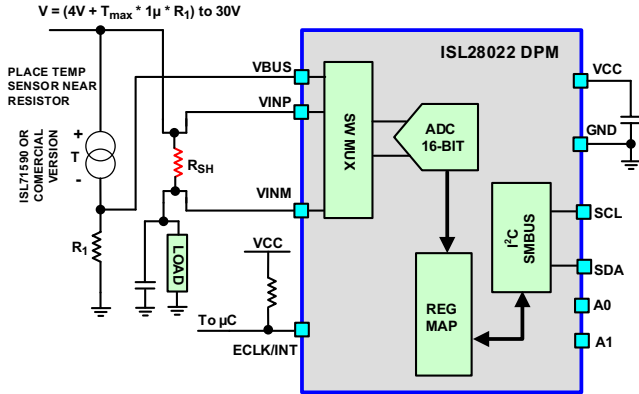


FIGURE 13. A SIMPLIFIED CIRCUIT DIAGRAM THAT MEASURES CURRENT AND TEMPERATURE

## Ideas Using ISL28023

### Generic Buck Regulator POL Circuit

The circuit in Figure 14 is a generic step-down voltage circuit that converts a high voltage between 4.5V and 36V to a lower voltage that is at least 3V lower than the voltage applied to ISL85415. The output voltage to the load is programmed via the 8-bit margin DAC within the ISL28023, plus external resistors  $R_2$  and  $R_1$ .  $R_3$  is used to more precisely tune the output voltage. For most applications,  $R_3$  is not installed or optional. The 8-bit margin DAC within the ISL28023 has many voltage ranges allowing for more precision than 8-bits.  $V_{OUT}$  to the load can be calculated using Equation 13.

$$V_{OUT} = 0.6 + (0.6 - DAC\_OUT) \cdot \frac{R_2}{R_1} \quad (EQ. 13)$$

The ISL85415 can deliver up to 500mA to a load. The buck regulator's ripple noise to the load is a function of the inductor value ( $L_o$ ). Large value inductors result in low magnitude ripple currents, while sacrificing responsiveness to fast transient loads. The inductor ( $L_o$ ) value for the circuit in Figure 14 can be calculated using Equation 14.

$$L_o = \frac{(V_{IN} - V_{OUT})}{FS \cdot \Delta I} \cdot \frac{V_{OUT}}{V_{IN}} \quad (EQ. 14)$$

- $V_{IN}$  is the input voltage to the ISL85415. The voltage can range from 4.5V to 36V.
- $V_{OUT}$  is the regulated voltage value to the load.
- $FS$  is the switching frequency of the buck regulator. For the ISL85415, the frequency can be programmed between 300kHz to 2MHz.
- $\Delta I$  is the desired ripple current. A common ripple current value is 30% of the full-scale current delivered to the load.

A bypass capacitor at the load is used to minimize the voltage noise to the load. The voltage ripple to the load is a function of

the type of bypass capacitor. The voltage ripple to the load can be calculated using either Equation 15 or 16.

$$V_{out\_ripple} = \frac{\Delta I}{8 \cdot FS \cdot C_{bypass}} \quad (EQ. 15)$$

$$V_{out\_ripple} = \Delta I \cdot C_{bypass} \quad (EQ. 16)$$

Ceramic capacitors have lower series equivalent resistance than other electrolytic capacitors. Equation 15 represents the  $V_{out\_ripple}$  calculation with a ceramic capacitor as a bypass, and Equation 16 represents the  $V_{out\_ripple}$  when an electrolytic bypass capacitor is used.

- $\Delta I$  is the ripple current magnitude
- $FS$  is the switching frequency of the buck regulator

$R_{SH}$  in Figure 14 is the shunt resistor that converts the current delivered to the load to a voltage. The voltage is measured by the ISL28023. The full-scale voltage of the shunt inputs ( $V_{INP}$ - $V_{INM}$ ) is  $\pm 80mV$ . The value of the shunt resistor is digitized internally by the ISL28023 allowing the device to report current measurements.

The ISL28023 has analog comparators with user defined programmable digital thresholds allowing for the inputs of the primary shunt ( $V_{INP}$ ,  $V_{INM}$ ) and BUS ( $V_{BUS}$ ) pins to be tested versus acceptable levels. The ISL28023 has two SMB alert pins. In Figure 14,  $SMBALERT1$  is an open-drain connected to the enable pin of the ISL85415. In the alert event, the  $SMBALERT1$  pin changes state causing the ISL85415 to become disabled. The  $SMBALERT2$  has a push/pull output with logic levels tied to  $I^2CVCC$  voltage. The  $SMBALERT2$  is tied to the interrupt pin of the microcontroller. An unacceptable event on the primary channel alerts the microcontroller.

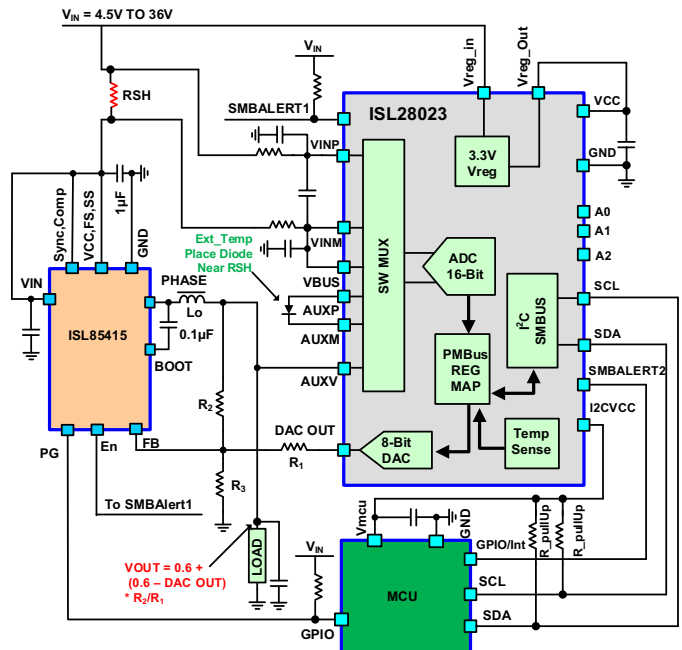


FIGURE 14. GENERIC POL CIRCUIT USING A BUCK CONVERTER AND THE ISL28023

The I2CVCC can either be tied to the VCC pin of the ISL28023 or to the power supply pin of the microcontroller. The I2CVCC pin controls the operation voltage of the ISL28023 digital core. Therefore, the I<sup>2</sup>C/SMBus/PMBus inputs and SMB alert pins logic levels are a slave to the I<sup>2</sup>CVCC voltage.

The ISL28023 has an internal 3.3V voltage regulator that accepts input voltages ranging from 4.5V to 60V. The regulator is used to power the ISL28023 and some light external peripheral circuitry. The maximum drive current of the voltage regulator is 6mA.

The ISL28023's auxiliary shunt channel (Aux\_N, Aux\_P) can be programmed to change functionality from measuring a voltage between ±80mV to measuring a temperature through a diode. The auxiliary channel's external temperature mode injects two currents (20µA/ 100µA) into the diode and measures the change in diode voltage between the two currents. The change in diode voltage translates to a temperature. Diodes are useful to accurately measure temperature change. A user may want to measure the temperature change of a resistor for accurate current measurements. The external temperature sense is useful for high current applications where the resistor material consists of mostly metal.

The AUXV pin can be used to measure the regulated voltage to the load. The AUXV pin can only measure voltages up to the VCC voltage of the ISL28023 chip. For the circuit in Figure 14, the maximum measurable voltage by the AuxV channel would be 3.3V.

## Generic LDO Regulator POL Circuit

Low Dropout (LDO) voltage regulators are mostly used in applications that require a regulated supply while a minimum voltage difference exists between the applied voltage to the regulator and the regulated voltage. A battery application is an example where an LDO may be used. LDO's may also be used in noise sensitive applications. There is no internal clock or switching signals within an LDO. Because of the lack of switching circuitry, the output regulated signal does not have noise compared to a buck regulator. Applications that are sensitive to EMI susceptibility may use an LDO.

The circuit in Figure 15 converts the bus voltage, which is between 3V and 6V to a lower regulated voltage that can be as high as 400mV from the bus voltage applied to the ISL80101ADJ. The output voltage to the load is set via the 8-bit DAC, R<sub>2</sub> and R<sub>1</sub>. R<sub>3</sub> is used to more precisely tune the output voltage. For most applications, R<sub>3</sub> is not installed. The 8-bit DAC within the ISL28023 has many voltage ranges allowing for more precision. V<sub>OUT</sub> to a load can be calculated using:

$$V_{OUT} = 0.5 + (0.5 - DAC\_OUT) \cdot \frac{R_2}{R_1} \quad (\text{EQ. 17})$$

R<sub>SH</sub> in Figure 15 is a shunt resistor that converts the current delivered to the load to a voltage. The voltage is measured by the ISL28023. The full-scale voltage of the shunt inputs (VINP-VINM) is ±80mV. The value of the shunt resistor is digitized internally to the ISL28023 enabling the device to report current measurements.

The ISL28023 has analog comparators with user defined programmable digital thresholds. The comparator circuitry allows for inputs of the primary channel (VINP, VINM, V<sub>BUS</sub>) to be tested versus programmable levels. The ISL28023 has two

SMBALERT pins. In Figure 15, SMBALERT1 is an open-drain pin connected to the enable pin of the ISL80101ADJ. In the event of an alert, the SMBALERT1 pin changes state causing the ISL80101ADJ to become disabled. The SMBALERT2 has a push/pull output with logic levels tied to the I2CVCC voltage. The SMBALERT2 is tied to the interrupt pin of the microcontroller. An unacceptable event on the primary channel will alert the microcontroller.

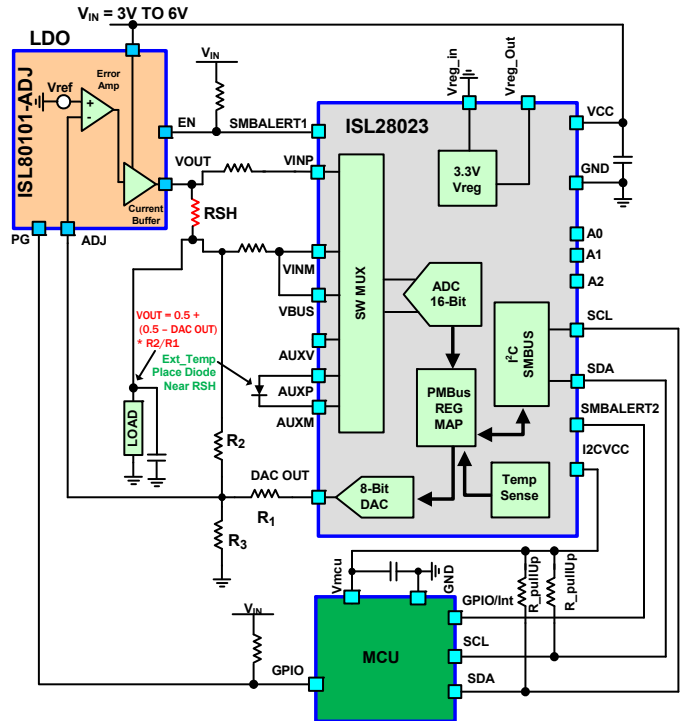


FIGURE 15. GENERIC POL CIRCUIT USING A LDO CONVERTER AND THE ISL28023

The I2CVCC can either be tied to the VCC pin of the ISL28023 or to the power supply pin of the microcontroller. The I2CVCC pin controls the operating voltage of the ISL28023 digital core. The I<sup>2</sup>C/SMBus/PMBus inputs and SMBALERT pins logic levels are a slave to the I2CVCC voltage.

The ISL28023's auxiliary shunt channel (Aux\_N, Aux\_P) can be programmed to change functionality from measuring a voltage between ±80mV to measuring a temperature through a diode. In the external temperature mode, a current source injects two currents (20µA/ 100µA) into an external diode measuring the change in diode voltage between the two currents. The change in diode voltage translates to a temperature. Diodes are good at accurately measuring temperature change. A user may want to measure the temperature change of a resistor for accurate current measurements. In high current applications, the material of a resistor consists mostly of metal. Metal has a high temperature coefficient. Monitoring the temperature change of a resistor allows for compensation of resistance change due to temperature.

The AUXV pin measures the regulated voltage to load. The AUXV pin measures voltages up to the VCC voltage of the ISL28023 chip. For the circuit in Figure 15, the maximum measurable voltage for the AuxV channel is the bus voltage to the circuit, V<sub>IN</sub>.

### Generic Boost Regulator POL Circuit

The circuit in [Figure 16](#) is a generic circuit that boosts the input voltage to a set output voltage that is dependent on the 8-bit DAC inside the ISL28023. The ISL97519A can boost input voltages from as low as 2.3V to 25V. The circuit in [Figure 16](#) is able to boost input voltages from 3V to 25V. This is due to ISL28023 minimum supply voltage.

The circuit in [Figure 16](#) is designed with two shunt resistors ( $R_{SH1}$ ,  $R_{SH2}$ ) to measure the efficiency,  $\eta$ , of the regulator.  $R_{SH2}$  resistor measures the total current to the regulator and the load.  $R_{SH2}$  is connected to the auxiliary channel of the ISL28023. The auxiliary channel can accept voltages from 0 to  $V_{CC}$  of the ISL28023. A basic filter is designed between the  $R_{SH2}$  and the auxiliary input. The filter may not be required depending on the desired accuracy of the measurement, and the signal purity from the input source,  $V_{rail}$ .

$R_{SH1}$  measures the high voltage current to the load. The supply voltage to the load,  $V_{OUT}$ , is greater than  $V_{CC}$ . The  $R_{SH1}$  resistor is connected to the primary channel (VINP, VINM,  $V_{BUS}$ ) because the inputs accept voltages up to 60V. The primary channel

connects to a series of analog alert comparators. The alerts can be conditioned for polarity, duration, and threshold levels. The alerts can be masked and uniquely configured for each alert pin. The alert pins are labeled as SMBALERT1 and SMBALERT2. SMBALERT1 is an open-drain that requires a pull-up resistor up to 20V to operate properly. SMBALERT2 has a push/pull output stage with logic levels tied to the I2CVCC voltage. SMBALERT2 is tied to the enable pin of the ISL97519A. If an overcurrent or overvoltage/undervoltage event occurs, SMBALERT2 will change state causing the ISL97519A to become disabled. SMBALERT1 is tied to the microcontroller.

Assume a circuit diagram has the many ISL28023 modules connected to the same I<sup>2</sup>C bus. All modules have SMBALERT1 tied to the interrupt/GPIO pin of the microcontroller as shown in [Figure 17 on page 14](#). In the event of an alert from any or multiple modules SMBALERT1 will change logic state resulting in an interrupt to the microcontroller. The ISL28023 has a unique broadcast command that returns the lowest valued slave address that has a SMBALERT1 error. The command feature prevents the microcontroller from having to find the ISL28023(s) with a SMBALERT1 error.

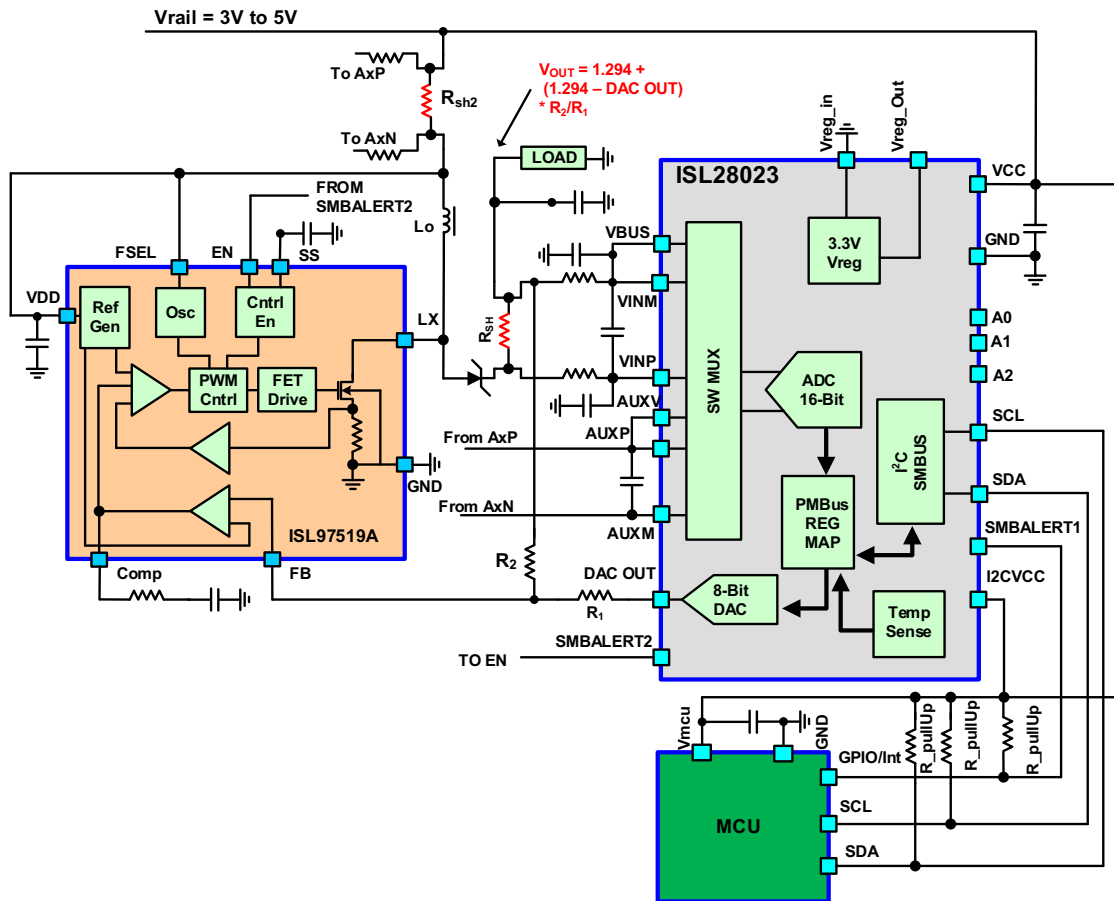


FIGURE 16. GENERIC POL CIRCUIT USING A BOOST CONVERTER AND THE ISL28023

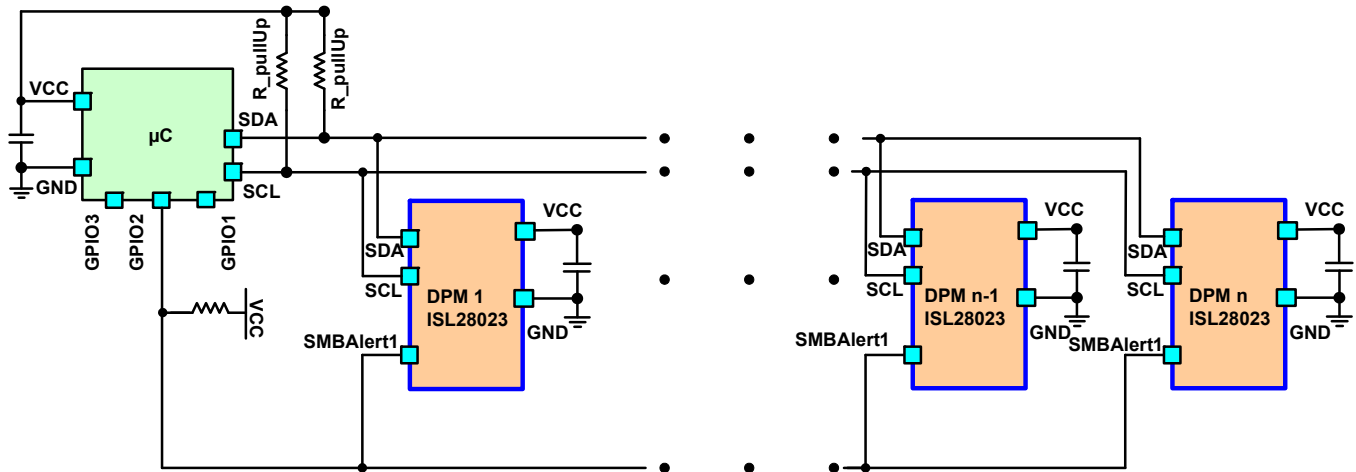


FIGURE 17. A SIMPLIFIED CIRCUIT ILLUSTRATION SHOWING MULTIPLE ISL28023s CONNECTED TO ONE SMBUS AND ONE SMBALERT1 LINE

The voltage to the load is set by configuring the 8-bit DAC inside the ISL28023 and the ratio of  $R_2$  to  $R_1$ . The 8-bit DAC has 8 voltage ranges allowing the user to fine tune the output voltage. The output voltage can be set using [Equation 18](#).

$$V_{OUT} = 1.294 + (1.294 - DAC\_OUT) \cdot \frac{R_2}{R_1} \quad (\text{EQ. 18})$$

The performance of the ISL97519A is dependent on the chosen inductor,  $L_o$ . The chosen inductor should be able to handle the peak current delivered to load. The inductor value can be calculated using [Equation 19](#).

$$L = \frac{V_{IN}^2 \cdot (V_{IN} - V_{OUT})}{2 \cdot V_{OUT} \cdot f_{SW} \cdot (I_{OUT} \cdot V_{OUT} - (I_{PEAK} \cdot V_{IN}))} \quad (\text{EQ. 19})$$

- $V_{IN}$  is the bus voltage supplied to the boost regulator.
  - For [Figure 16](#), the input voltage is between 3V and 25V.
- $V_{OUT}$  is the desired regulated voltage.
  - The output voltage is between 3V and 25V. The output voltage is always greater than the input voltage.
- $I_{OUT}$  is the average current delivered to the load.
- $I_{PEAK}$  is the peak inductor current.
- $f_{SW}$  is the switching rate of the regulator.
  - The switching frequency of the regulator can be programmed to either 620kHz or 1.25MHz.

Inductor values between 2 $\mu$ H to 33 $\mu$ H are common.

A bypass capacitor at the load is used to minimize the voltage noise to the load. The voltage ripple to the load is a function of the type of bypass capacitor. The voltage ripple can be calculated using [Equation 20](#).

$$V_{out\_ripple} = \frac{I_{OUT} \cdot \left(1 - \frac{V_{IN}}{V_{OUT} + V_{diode}}\right)}{f_{SW} \cdot C} + I_{OUT} \cdot ESR \quad (\text{EQ. 20})$$

- $I_{OUT}$  is the current delivered to the load
- $V_{IN}$  is the bus voltage supplied to the boost regulator
- $V_{OUT}$  is the regulated voltage

- $V_{diode}$  is the activation voltage of the diode
  - This is nominally equaled to 0.6V
- $f_{sw}$  is the switching voltage of the ISL97519A
- C is the chosen bypass capacitor value
- ESR is the equivalent series resistance of the capacitor
  - For X5R and X7R ceramic capacitors, the value is low
  - Tantalum and other electrolytic capacitors have a higher ESR value

## High-Side Voltage and Current Circuit

There are many applications today that require voltage and current protection to a load. The circuit in [Figure 18 on page 15](#) monitors the current and voltage to the load. In the event of an overcurrent or voltage, an alert will be triggered causing the SMBALERT2 pin to change logic state from a high to a low. Q1 will turn off causing M1 to turn off. The event results in power to the load being severed.

The circuitry drawn in [Figure 18](#) accepts voltage values from 4.5V to 60V. The minimum voltage the internal 3.3V regulator can regulate is 4.5V. The 3.3V regulator powers the ISL28023 and the MCU. The regulator sources 6mA of current. The MCU connected to the power supply should draw less than 5mA.

## AN ALTERNATIVE CONNECTION

If the monitored voltage is between 4.5V and 20V, Q1 and RS can be eliminated from [Figure 18](#) by using the SMBALERT1 pin to control the M1 MOSFET. Another alternative connection is to monitor the current on the low-side of the load as shown in [Figure 19 on page 15](#).

### Using a Switch as a Sense Resistor

In low voltage applications, the voltage drop resulting in measuring a current through a sense resistor is significant with respect to the load voltage. The shunt channels of the ISL28023 (VINP, VINM and AUX\_P, AUX\_N) have a full-scale voltage range of  $\pm 80\text{mV}$ . A full-scale voltage drop across a sense resistor from a 0.85V supply is roughly 10%. Many applications have a switch or FET in series to the load in the event that power to the load can be severed when too much current is sourced to the load. The simplified schematic in Figure 20 is an example of a switch used as sense resistor and to cut power to the load.

The ISL83699 is a low  $r_{ON}$  quad switch used as circuit breaker and sense resistor to load. One switch within the ISL83699 can pass up to  $\pm 300\text{mA}$  of current. Four switches in parallel can handle 1.2A of current. The average ON-resistance for a single switch is  $0.266\Omega$  across the current range. The graph in Figure 21 illustrates the ON-resistance of the ISL83699 versus the current passing through the switch. The ON-resistance is flat from 1mA to 300mA. At lower currents the ON-resistance varies by approximately  $5\text{m}\Omega$ .

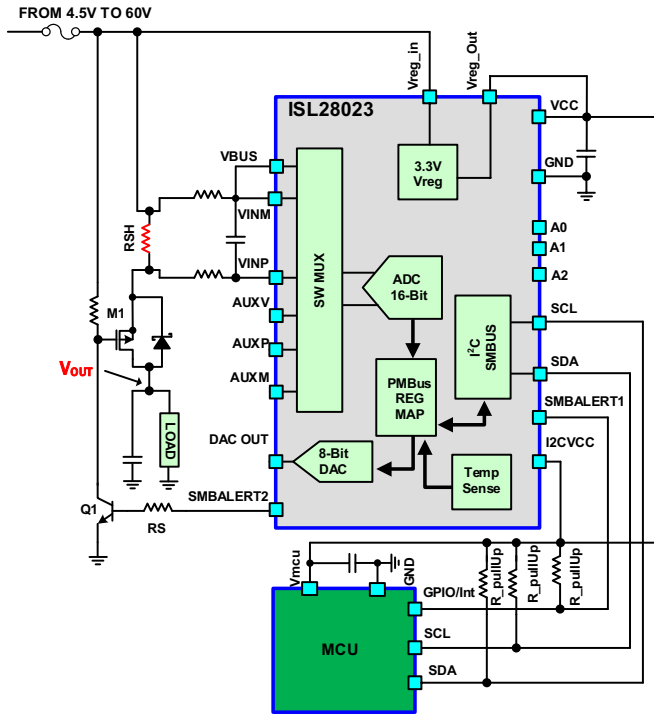


FIGURE 18. GENERIC POL CIRCUIT USING AN LDO CONVERTER AND THE ISL28023

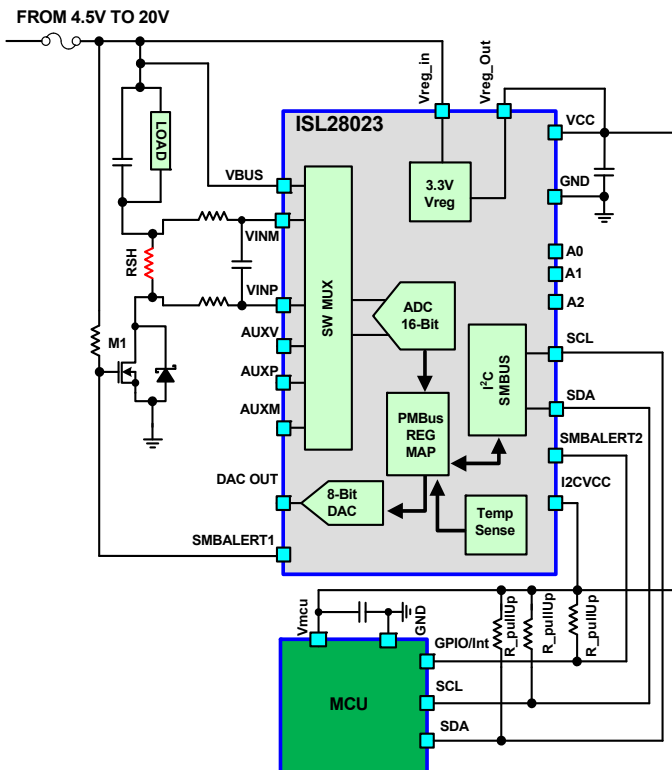


FIGURE 19. LOW-SIDE VOLTAGE AND CURRENT MONITORING CIRCUIT THAT USES SMBALERT1 AS A CONTROL

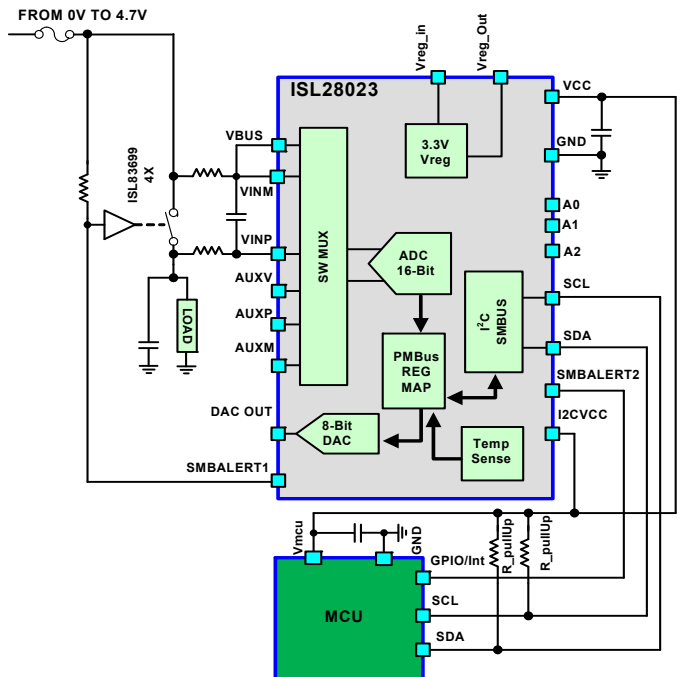


FIGURE 20. A SIMPLIFIED SCHEMATIC OF A SWITCH USED AS A SENSE RESISTOR

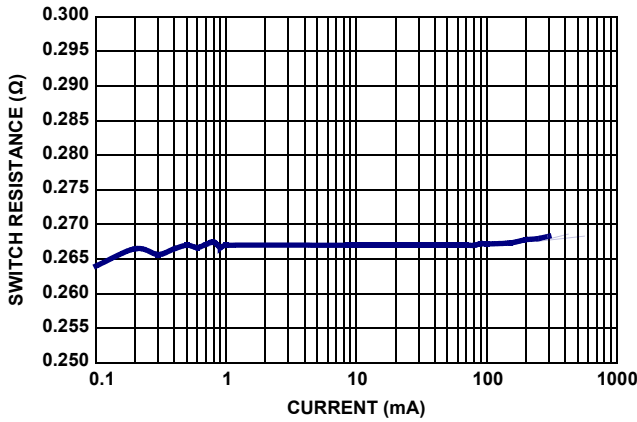


FIGURE 21. RESISTANCE vs CURRENT

Connecting four switches in parallel divides the  $r_{ON}$  resistance by four as well as the variance across current. The sense resistor becomes 66.5mΩ.

The full-scale range of the primary shunt input is ±80mV. From Ohms law, the maximum current that is measured for 67mΩ sensing element is 1.2A. The application may require the highest resolution for measurable currents to 750mA. The  $V_{SHUNT}$  reading for 750mA of current with a 67mΩ sensing element is 49.88mV. The ISL28023 has configurable current range. The LSB (Least Significant Bit) is calculated by using Equation 21.

$$Current_{LSB} = \frac{Current_{FS}}{ADC_{res}} = \frac{0.75}{32768} = 2.289\mu A \quad (EQ. 21)$$

$Current_{FS}$  is the full-scale measurable current or 750mA for this application.  $ADC_{res}$  is 15 bits in one current direction (0mA to 750mA). The ISL28023 calculates the current for each reading if the CalReg is programmed properly. The CalReg is calculated using Equation 22.

$$CalReg_{val} = \text{integer} \left[ \frac{0.00512}{(Current_{LSB} \cdot R_{SHUNT})} \right]$$

$$CalReg_{val} = \text{integer} \left[ \frac{0.00512}{2.2289 \cdot 10^{-6} \cdot 0.0665} \right] = 34543 \quad (EQ. 22)$$

The current measurement for the primary shunt can be read from register 0x8C. The decimal current is calculated using Equation 23.

$$Current = Reg\_0x8C_{value} \cdot Current_{LSB} \quad (EQ. 23)$$

$Reg\_0x8C_{value}$  is the value returned from reading register 0x8C of the ISL28023.  $Current_{LSB}$  is the value from Equation 21.

### 4 Gas Sensing Circuit

Gas monitoring is prevalent in safety and manufacturing applications. Gas sensing, more specifically electrochemical gas sensing, keeps miners safe from such toxins as hydrogen sulfide ( $H_2S$ ) and carbon monoxide (CO). Households in the US are required to have CO detectors along with fire detectors for air quality protection. The food industry is using gas sensors to

determine the freshness of food at fisheries and at the supermarket. In the manufacturing process, gas sensors are used to monitor the amount of gas element transferred from one medium to another.

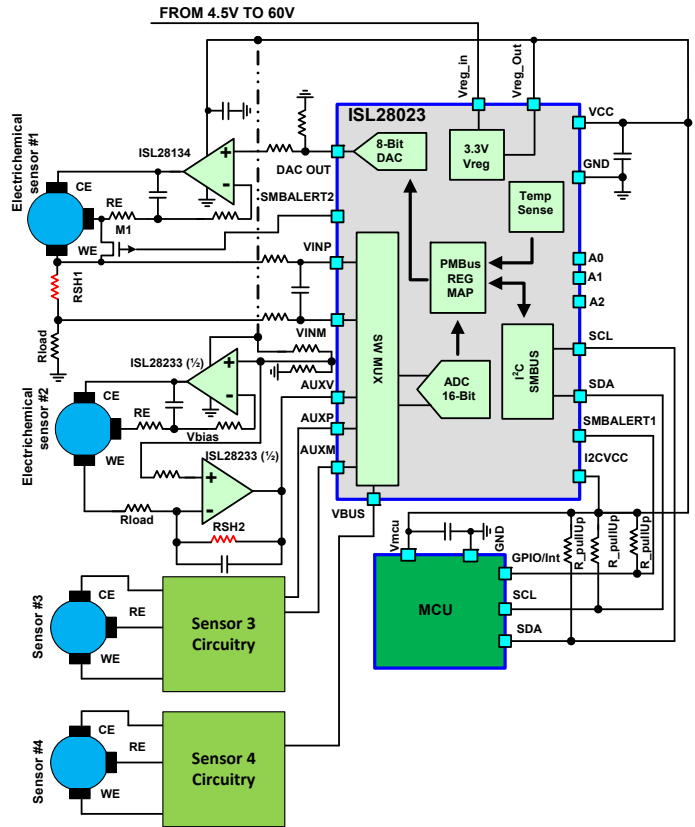


FIGURE 22. A SIMPLIFIED SCHEMATIC FOR GAS SENSING

The ISL28023 is a full featured digital power monitor that has a DAC, ADC and alert comparators. The ISL28023 reduces to an I<sup>2</sup>C ADC/DAC with alerts. The simplified circuit in Figure 22 is a four element gas sensor.

The ISL28023 has an internal 3.3V regulator that regulates voltages from 4.5V to 60V. The regulator is used to power the ISL28023 and low power peripheral sensor circuitry.

Most electrochemical sensors are nonbiased (do not require an activation voltage). In the case of measuring a gas concentration using a biased sensor, the ISL28023 has an internal 8-bit DAC with many voltage ranges to bias the sensor. The electrochemical sensor 1 in Figure 22 is a biased sensor. The sensor is biased via the internal DAC and the ISL28134. The ISL28134 is a low noise, zero offset chopper stabilized amplifier. The amplifier is used to ensure the solution potential is equal to the DAC output voltage versus current change. The electrochemical solution (electrolyte) between the Counter Electrode (CE) and the Working Electrode (WE) has an impedance. As the concentration of the selective gas increases, more current flows. The increased current flow with electrolyte resistance changes the potential between the WE and CE electrodes. The resultant is a less than predictable conversion of gas concentration to current flow. The Reference Electrode (RE) is an electrode that monitors the solution potential.



Most electrochemical sensors require a load resistance to linearize the resistors performance. The primary shunt channel (VINM, VINP) is connected to a shunt resistor ( $R_{SH}$ ) to measure current flow of the sensor. The magnitude of current translates to a gas concentration. The shunt resistor may also be used as the load resistance to the sensor. The ISL28023 internally calculates the current once the shunt resistor value is programmed into the IC.

The working electrode of an electrochemical sensor has a chemical agent attracting the gas of interest to the electrode. Usually, a filter is employed between the working electrode and the outside world to prevent compounds and like elements from interacting with the electrode. The filter prevents false concentration readings.

Care should be observed in powering an electrochemical sensor as well as when the sensor sits at rest. If reversed potentials are applied to the sensor, this causes the attracting agent to be stripped from the working electrode and deposited into the electrolyte and ultimately onto the counter electrode. The event as described reduces the lifetime of the sensor and changes the response of the sensor. M1, which is driven by the SMBALERT2 pin of the ISL28023, shorts the reference electrode to the working electrode. The shorting of WE and RE eliminates a path for the reacting agent to deposit to. The SMBALERT2 can be configured to an activation polarity and can be forced to a state.

Electrochemical sensor 2 is a nonbiased sensor that employs the use of the ISL28233 dual chopper amplifier. One amplifier of the dual amplifier is used to maintain the electrolyte potential. The second amplifier is a transimpedance amplifier that converts current to voltage. The voltage output equation for the transimpedance amplifier is represented in [Equation 24](#).

$$V_{OUT} = V_{bias} + I_{sensor} \cdot R_{SH2} \quad (EQ. 24)$$

$I_{sensor}$  is the current flowing to or from the sensor. The magnitude of current represents the concentration of gas in the medium.  $R_{SH2}$  is the gain resistor that converts the current to a voltage.  $V_{bias}$  is the operating voltage of the transimpedance amplifier.

Connected to the primary channel of the ISL28023 are analog comparators that can send alerts via the SMBALERT1 pin to the microcontroller. The compare potentials of the analog comparators represent the concentration values of each sensor.

Sensor blocks 3 and 4 could be circuitry for electrochemical sensors or any other sensors that feed into the auxiliary channel of the ISL28023. See [“Combustible Gas Sensor Circuit” on page 7](#).

## Ideas Using ISL28025

### Generic Buck/Boost Regulator POL Circuit

The electronic industry is trending towards devices that are portable. The trend ranges in all aspects of the industry from tablets to medical equipment. Most portable devices use batteries to energize the circuitry.

Depending on the chemistry of the battery, the voltage of the battery will degrade with equipment use. The degradation of the

battery voltage with each recharge cycle to the point where the battery cannot power the electronic circuitry.

Buck/boost regulators are used to extend the operating time in battery applications by bucking the battery voltage to the regulated voltage when the battery voltage is above the regulated voltage and boosting the battery voltage to the regulated voltage when the battery is below the regulated voltage. Utilizing a buck/boost regulator improves operation time of the equipment before needing a charge.

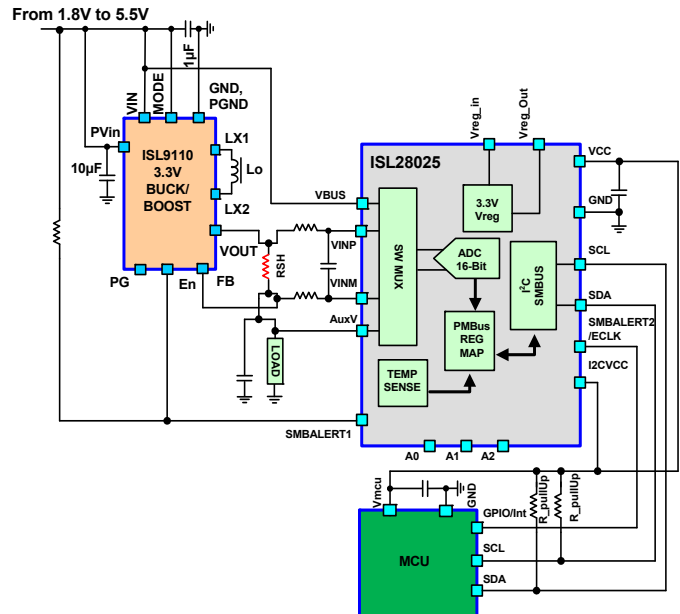


FIGURE 23. GENERIC POL CIRCUIT USING A BUCK/BOOST CONVERTER AND THE ISL28025

The illustration in [Figure 23](#) is a simplified buck/boost monitoring circuit with alert features. The ISL9110 regulates voltages from 1.8V to 5.5V. The ISL9110 is capable of delivering 1.2A of current to a load.

The ISL9110 inductor selection should be consistent with the peak current delivered to the load. The ideal inductor value,  $L_o$  is 2.2μH for 1.2A of peak current. The DSR rating of the inductor should be as low as possible to maximize the efficiency of the converter.

The ISL28025  $V_{BUS}$  input is tied to the battery voltage. The internal comparators of the ISL28025 can be configured to monitor the battery voltage for undervoltage and overvoltage conditions. If the battery is overcharged or about ready to die, the comparator can signal the microcontroller to perform an action. A sense resistor,  $R_{SH}$ , is used to monitor the current delivered to the circuit load. The sense resistor is connected between the FB (feedback) and the VOUT pin of the ISL9110. The voltage is regulated at the FB pin. To enable the ISL28025 to measure current, the sense resistor can be digitized by the series of calculations described in [Equation 25](#):

$$Current_{FS} = \frac{V_{shunt_{FS}}}{R_{SHUNT}} \quad (EQ. 25)$$

In Equation 13,  $R_{SHUNT}$  is equal to the shunt resistor,  $R_{SH}$ , value.  $V_{shunt_{FS}}$  is the full scale voltage value of the shunt channel (VINP, VINM). In most applications the value is equal to 80mV. For applications that require a full scale range less than 80mV, the defined value should be used as the  $V_{shunt_{FS}}$  value.

Utilizing the result of the  $Current_{FS}$  equation, the  $Current_{LSB}$  is calculated using Equation 14.

$$Current_{LSB} = \frac{Current_{FS}}{ADC_{res}} \quad (EQ. 26)$$

The  $ADC_{res}$  variable is the resolution of the ADC in one sign direction. The  $ADC_{res}$  equals  $2^{15}$  or 32768.

The integer value from the resultant of Equation 27 is the value programmed into the IOUT\_CAL\_GAIN, reg 0x38, register to enable current calculations.

$$CalReg_{val} = \text{integer} \left[ \frac{0.00512}{Current_{LSB} \cdot R_{SHUNT}} \right] = \text{integer} \left( \frac{167.77216}{V_{shunt_{FS}}} \right) \quad (EQ. 27)$$

The Overcurrent (OC), comparator can be configured to trigger an alert for a user defined overcurrent condition. Any alert conditions from the  $V_{BUS}$  or  $V_{SHUNT}$  (VINP and VINM) inputs can trigger the SMBALERT pin causing the regulator to turn off.

### Measure AC Currents

There are many applications that utilize the use of Alternating Current (AC) signal sources to either control or activate a load. Motors and power distribution circuits are some examples of AC loads.

The ISL28025 is able to measure lower frequency signals. The ISL28025 can be programmed to uniquely configure the acquisition time of each input. The ADC acquisition time directly determines the measurable bandwidth of an input. Figure 24 is the bandwidth response of the ISL28025 vs ADC timing.

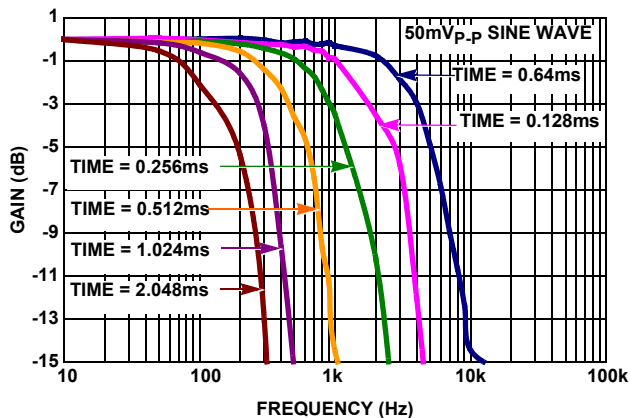


FIGURE 24.  $V_{SHUNT}$  BANDWIDTH vs ADC TIMING

The circuit in Figure 25 configures the ISL28025  $V_{SHUNT}$  input (VINP, VINM) as a low-side current sense. The primary inputs (VINP, VINM and  $V_{BUS}$ ) of the ISL28025 are able to accept input voltages ranging from 0V to 60V. The primary  $V_{SHUNT}$  input has a measurable range of  $\pm 80mV$ . The low-side current-sensing

architecture with the dynamic inputs of the ISL28025 allows for high voltage current measurements. Programming the digitized shunt resistor,  $R_{SH}$ , value into the ISL28025 enables current measurements from the device.

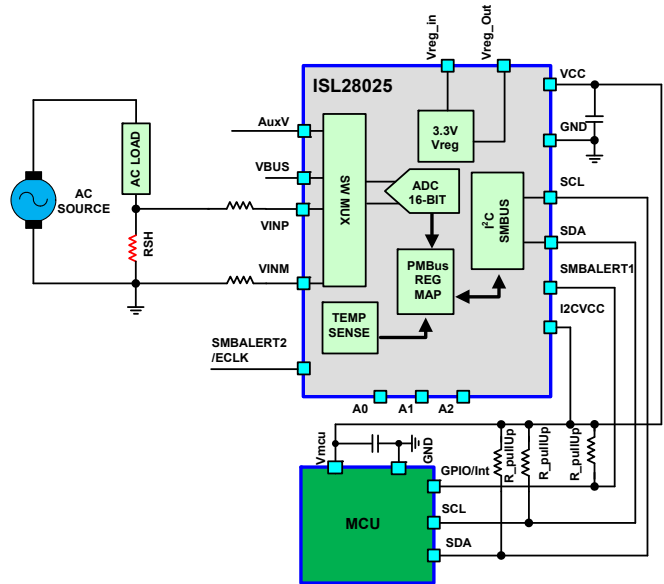


FIGURE 25. SIMPLIFIED CIRCUIT USING THE ISL28025 TO MEASURE AC CURRENTS

The ISL28025 measures current accurately from a common-mode of -30mV to 60V. The graph in Figure 26 illustrates the current measurement capabilities versus the common-mode shunt voltage of the ISL28025.

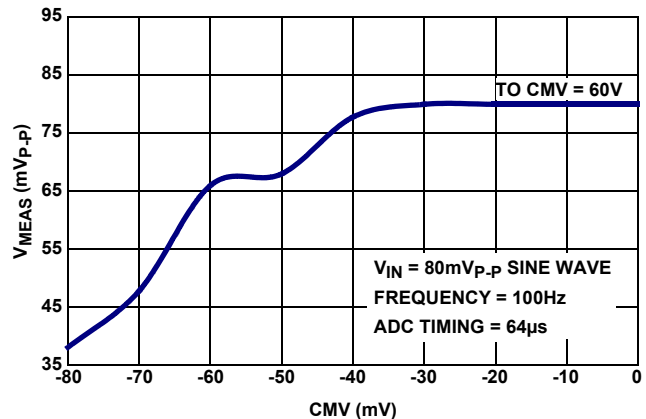


FIGURE 26. PRIMARY  $V_{SHUNT}$  AC COMMON-MODE VOLTAGE RANGE

### Sensor Monitor

There are many applications that quantify the analog world. Applications range from safety to controlling a manufacturing process. The root of each application requires a sensor, which translates the desired analog parameter to a fundamental electronic parameter of voltage, current, resistance or frequency.

Figure 27 on page 19 is a simplified electronic circuit that translates pressure to a digital signal. Suppose a 24V battery is connected to the pressure monitor powering the electronic circuitry as well as the safety valve for the pressurized container.

The ISL28025 has an integrated 3.3V voltage regulator that regulates input voltages between 4.5V to 60V. The voltage regulator can be used to power up the ISL28025 and some light powered peripheral circuitry. The voltage regulator powers the pressure sensor, the ISL28025 and the MCU.

The pressure sensor in [Figure 27](#) translates pressure into current. The ISL28025 uses VINP and VINM to monitor the current from the sensor. The ISL28025 has analog comparators that detects overvoltage, undervoltage and overcurrent conditions on the V<sub>BUS</sub> and V<sub>SHUNT</sub> (VINM and VINP) inputs. The response time of each comparator is approximately 0.5μs. The response of the comparator can be configured for glitch response, masking and alert polarity.

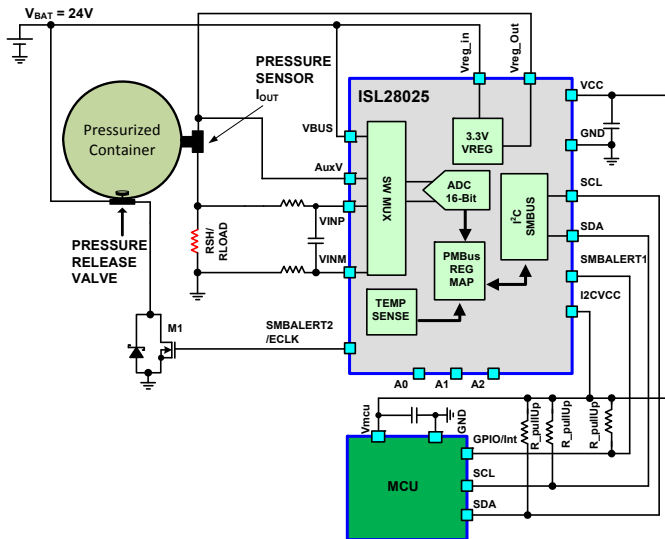


FIGURE 27. SIMPLIFIED SCHEMATIC OF A PRESSURE MONITOR WITH A SAFETY FEATURE

The pressure circuit is connected to the SMBALERT2, which is a push/pull output stage that has logic levels agreeable to the voltage applied to the I2CVCC pin. The SMBALERT2 pin controls a valve by way of a transistor. If the pressure in the chamber exceeds a threshold pressure, the ISL28025 will signal an alert to the SMBALERT2 pin, which energizes a pressure relieving valve resulting in the pressure in the container to reduce.

The V<sub>BUS</sub> input is used to monitor the battery voltage and the AuxV input monitors the 3.3V voltage.

The ISL28025 is offered in a WLCSP16 package. The package is frugal on space and perhaps can be mounted on the back of the pressure sensor.

## Real Time Power Monitor System for Real Time Operating Systems, RTOS

For many Real Time Operating Systems (RTOS), the use of real time power measurements for determining the efficiency of software to monitoring the security of the Real Time System (RTS).

The circuit in [Figure 28 on page 20](#) is a simplified circuit that uses two ISL28025s to measured real time power. The Group command from the PMBus command set synchronizes both ISL28025s to the same acquisition starting time.

The Group command is a concatenation of two or more instructions sent from the master. Each instruction is separated by a Repeat Start command. The execution of the instructions begins when the start bit is received by the slave. An illustration of the Group command protocol is shown in [Figure 29 on page 20](#).

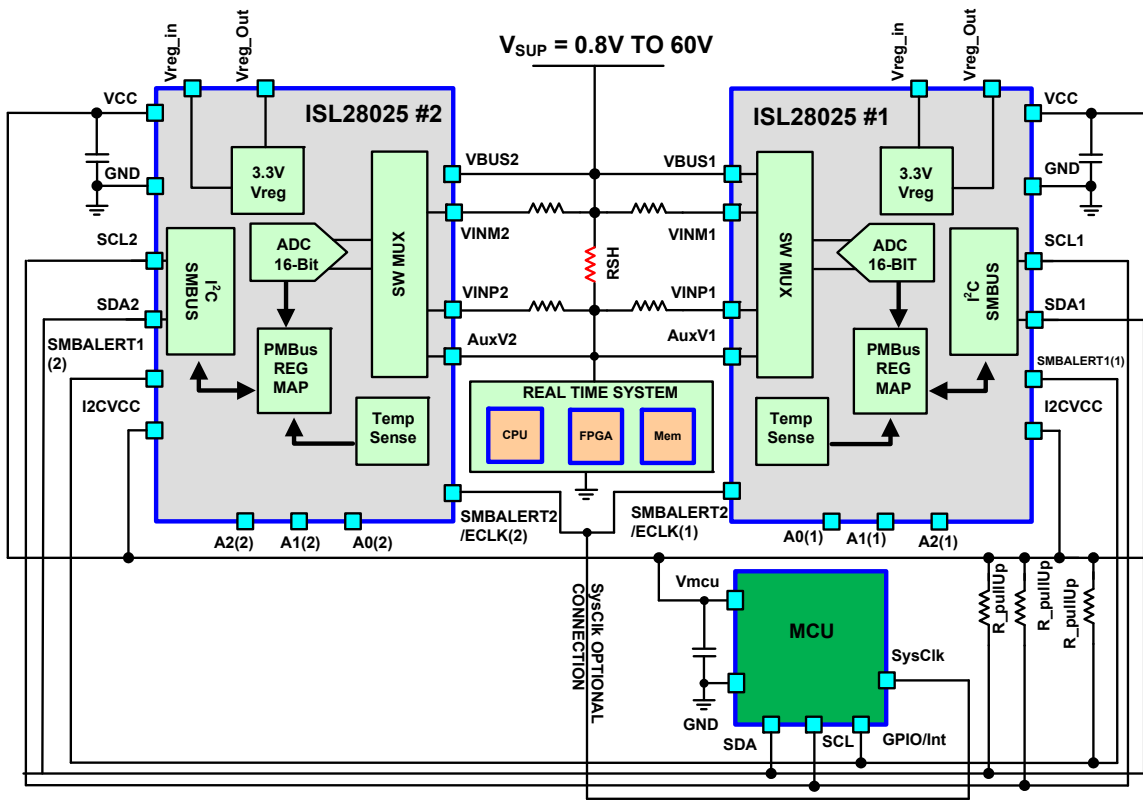
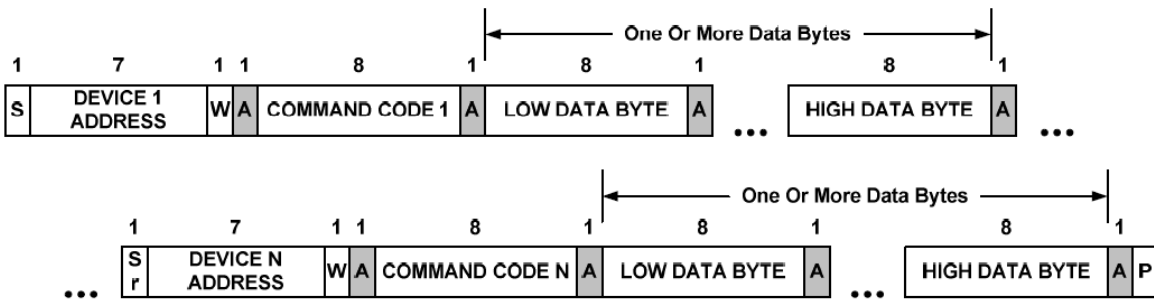
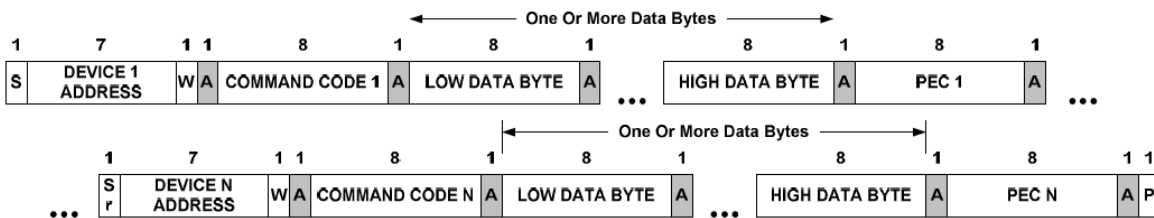


FIGURE 28. SIMPLIFIED EXAMPLE OF TWO ISL28025 CONFIGURED TO MEASURE REAL TIME TO A RTO SYSTEM



(A) Group Command Without PEC



(B) Group Command With PEC

FIGURE 29. GROUP COMMAND (A) WITHOUT PEC (B) WITH PEC

All measurements between the two ISL28025 chips will remain synchronized as well as each ISL28025 system clock is matched or another Group command is received. To guarantee synchronized acquisitions, the microcontroller can supply a system clock to each ISL28025 EXTCLK pin. The system clock will control the internal clock of each ISL28025. The acquisition times set by the Configure IChannel (Reg 0xD4) and Configure VChannel (Reg 0xD5) channels are based on an internal system clock of 500kHz. Apply an internal system clock either high or lower will adjust the acquisition times inversely to the ratio of the applied internal system clock frequency to the default system clock frequency of 500kHz. The effects of varying the system clock frequency is displayed in Figure 30.

To measure real time power, one of the ISL28025s should read current constantly while the other measures the voltage delivered to the RTS. The Microcontroller (MCU) will read each device individually and multiply the current and voltage values to yield the power consumption at the instant of time.

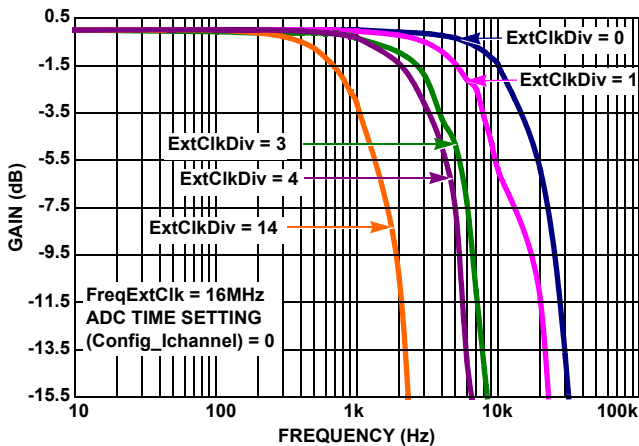


FIGURE 30. MEASUREMENT BANDWIDTH vs EXTERNAL CLK FREQUENCY

**A SLOWER MEASUREMENT OF POWER**

One ISL28025 can measure power but does so in a ping pong manner. The ISL28025 will measure voltage and then current followed by a calculation of power. Figure 31 illustrates a slower version of monitoring power to the RTS.

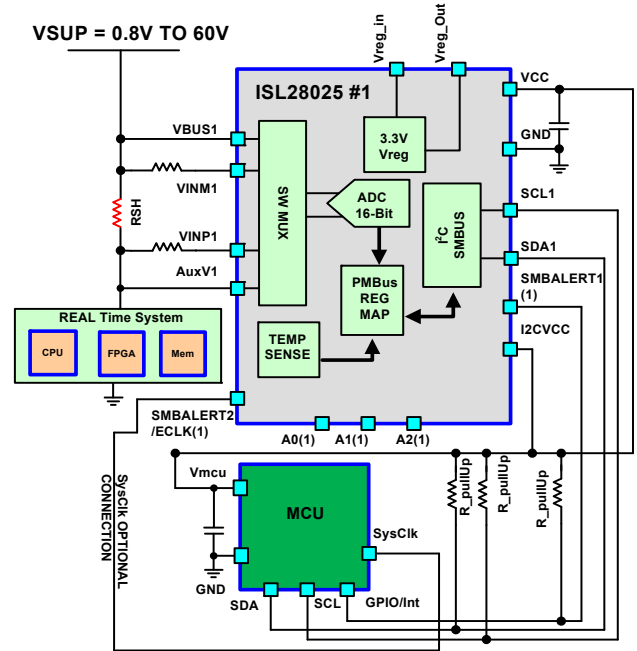


FIGURE 31. SIMPLIFIED CIRCUIT THAT MEASURES POWER DELIVERED TO THE RTS SYSTEM AT A SLOWER RATE

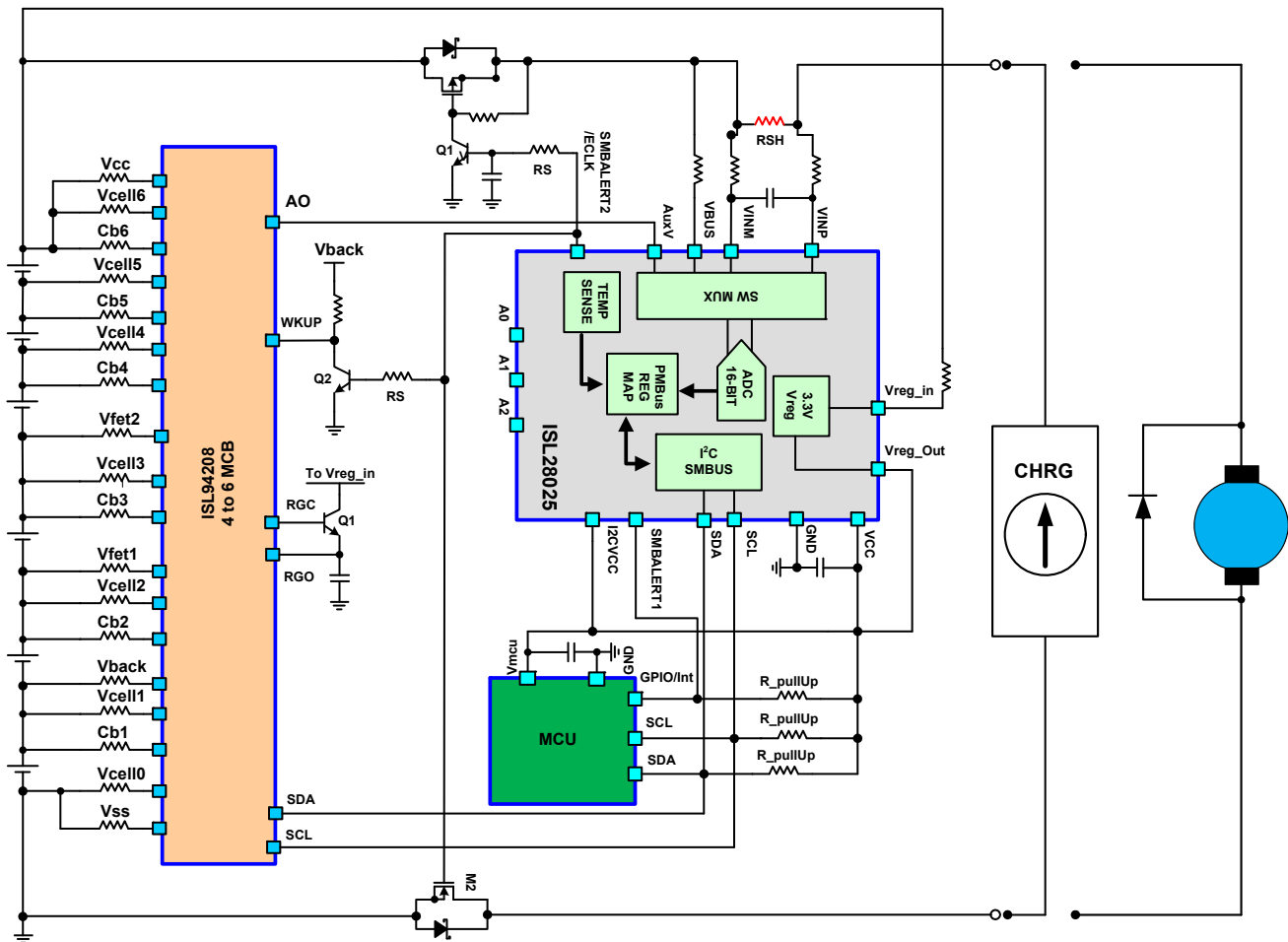


FIGURE 32. SIMPLIFIED CIRCUIT FOR MULTICELL BALANCING

## DPM Used as a Control and Alert for a Multicell Balancing Circuit

Batteries are used in many applications such as electric vehicles, power tools, medical electronics, battery backup systems and other portable electronics. The development of battery technologies to utilize unique chemical offerings have improved the lifetime and the source current of a battery. The elements used to improve battery technology are not as plentiful as older technologies. The use of these elements increase battery cost. Designs that utilize newer battery technologies require monitoring each battery cell as well as balancing the cells evenly. In balancing the cells, the overall battery life improves, the usage times improve and the health of the battery is always known.

Figure 32 is a simplified circuit for a 6-cell battery pack. The ISL94208 is ideal for Li-ion batteries. The ISL94208 is a multicell balancing controller that routes the battery voltage of each cell through a multiplexer to pin AO, where the voltage can be read. AO is connected to the AUXV pin of the ISL28025.

The ISL28025 is powered by the battery pack through a 3.3V regulator. The input of the 3.3V regulator accepts input voltages from 4.5V to 60V. The voltage regulator is capable of powering some low powered circuitry along with the ISL28025.

The primary shunt input (VINP, VINM) operates in the presence of common-mode voltages ranging from 0V to 60V. The ISL28025 can calculate the current by digitizing the shunt resistor value,  $R_{SH}$ . The VBUS input is able to measure voltages up to 60V. The VBUS pin is connected to the top of the battery pack. The measurement node is known as the pack voltage.

SMBALERT2 is a push/pull output pin that drives a NMOS (M2) and a PMOS (M1) via a transistor (Q1). The ISL28025 has analog comparators that monitor the primary bus and shunt inputs for overvoltage, undervoltage and overcurrent conditions. In the event that a comparator is tripped, the SMBALERT2 can disconnect the charger circuit or load from the battery pack. The reaction time of the analog comparators are roughly 500ns. The SMBALERT pins active polarity and force state can be set through I<sup>2</sup>C commands.

The Q1 transistor is connected to the RGO and RGC pins of the ISL94208 which activates the 3.3V regulator inside the ISL94208. The Q1 transistor should be able to accept VCE equal to 60V.

The ISL94208 is a battery management analog front end IC has internal controlling FETs to bypass a cell from charging in the instance of an unequal charge distribution within a battery pack. The integrated balancing FETs have the ability to reroute a maximum of 200mA charging current.

The ISL94208 has a deep sleep feature that shuts down all essential circuitry. The device consumes up to 10µA of supply current in deep sleep mode. The ISL28025 has a low power mode. The ISL28025 consumes less than 1µA in this mode. The Wake-Up mode is activated when a LOW to HIGH logic state transition is received from the SMBALERT2 pin of ISL28025. Q2 is activated causing the WKUP pin logic state to transition from HIGH to LOW. The transition of WKUP pin logic state results in the ISL94208 waking up.

All functionality of the chip is controlled through an I<sup>2</sup>C interface.

### PMBus Compatible Products Simplifies System Designs and Programming Them

PMBus is an industry standard that standardizes the register maps across products. The PMBus capability simplifies the coding required to communicate to each chip. If several unique PMBus products have an Analog-to-Digital Converter (ADC) integrated into the chips and are connected to the same I<sup>2</sup>C bus, the programmer needs to command a read from one register to receive the results from each integrated circuit. Controlling each IC works the same way.

Figure 33 illustrates a system that includes both digital power monitors and Intersil's power modules. The ISL28025 versatile input range (0V to 60V) makes the integrated circuit easy to design in. The ISL28025 is an easy solution to monitoring system power in evolved power applications. DPM1 in Figure 33 is connected to monitor the overall system power delivered to the localized subsystems. The SMBALERT2 of DPM1 controls a FET switch, M1, to act like a circuit breaker to the subsystems. DPM1 allows the user to quickly monitor the health of a system.

The drain of M1 feeds into a power subsystem. An example of a power subsystem is representative in DPM2 through 4 and Intersil 1 to 3. Intersil has a portfolio of the power products, ZLxxx series, which regulate set voltages for high current point-of-load applications. The Intersil products use a DC/DC architecture to regulate a supply. The architecture is good for delivering large currents to a load in an efficient manner at the cost of a noisier supply voltage. Some power subcircuits may require a more precise load with less current. In such cases, a LDO regulator can be employed with a DPM.

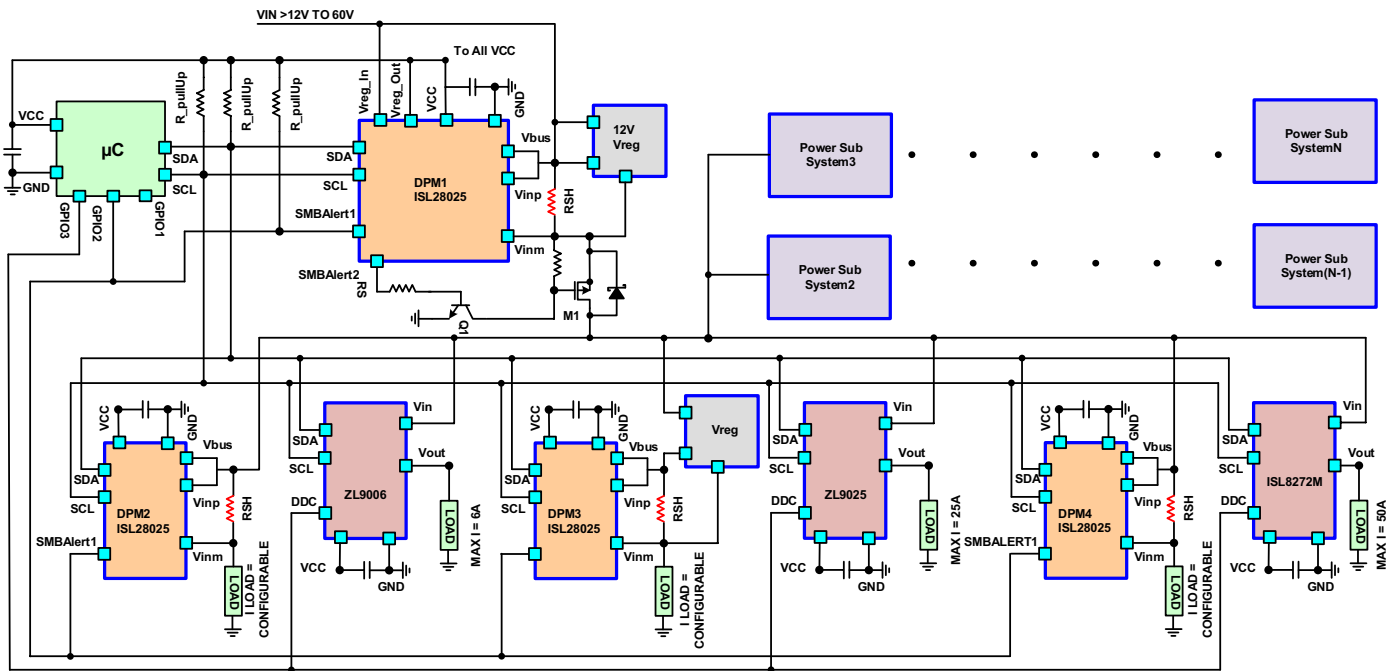


FIGURE 33. AN EXAMPLE OF A POWER DISTRIBUTION SYSTEM USING THE ISL28025 AND INTERSIL ZLXXXX SERIES

## Notice

1. Descriptions of circuits, software and other related information in this document are provided only to illustrate the operation of semiconductor products and application examples. You are fully responsible for the incorporation or any other use of the circuits, software, and information in the design of your product or system. Renesas Electronics disclaims any and all liability for any losses and damages incurred by you or third parties arising from the use of these circuits, software, or information.
2. Renesas Electronics hereby expressly disclaims any warranties against and liability for infringement or any other claims involving patents, copyrights, or other intellectual property rights of third parties, by or arising from the use of Renesas Electronics products or technical information described in this document, including but not limited to, the product data, drawings, charts, programs, algorithms, and application examples.
3. No license, express, implied or otherwise, is granted hereby under any patents, copyrights or other intellectual property rights of Renesas Electronics or others.
4. You shall not alter, modify, copy, or reverse engineer any Renesas Electronics product, whether in whole or in part. Renesas Electronics disclaims any and all liability for any losses or damages incurred by you or third parties arising from such alteration, modification, copying or reverse engineering.
5. Renesas Electronics products are classified according to the following two quality grades: "Standard" and "High Quality". The intended applications for each Renesas Electronics product depends on the product's quality grade, as indicated below.  
"Standard": Computers; office equipment; communications equipment; test and measurement equipment; audio and visual equipment; home electronic appliances; machine tools; personal electronic equipment; industrial robots; etc.  
"High Quality": Transportation equipment (automobiles, trains, ships, etc.); traffic control (traffic lights); large-scale communication equipment; key financial terminal systems; safety control equipment; etc.  
Unless expressly designated as a high reliability product or a product for harsh environments in a Renesas Electronics data sheet or other Renesas Electronics document, Renesas Electronics products are not intended or authorized for use in products or systems that may pose a direct threat to human life or bodily injury (artificial life support devices or systems; surgical implantations; etc.), or may cause serious property damage (space system; undersea repeaters; nuclear power control systems; aircraft control systems; key plant systems; military equipment; etc.). Renesas Electronics disclaims any and all liability for any damages or losses incurred by you or any third parties arising from the use of any Renesas Electronics product that is inconsistent with any Renesas Electronics data sheet, user's manual or other Renesas Electronics document.
6. When using Renesas Electronics products, refer to the latest product information (data sheets, user's manuals, application notes, "General Notes for Handling and Using Semiconductor Devices" in the reliability handbook, etc.), and ensure that usage conditions are within the ranges specified by Renesas Electronics with respect to maximum ratings, operating power supply voltage range, heat dissipation characteristics, installation, etc. Renesas Electronics disclaims any and all liability for any malfunctions, failure or accident arising out of the use of Renesas Electronics products outside of such specified ranges.
7. Although Renesas Electronics endeavors to improve the quality and reliability of Renesas Electronics products, semiconductor products have specific characteristics, such as the occurrence of failure at a certain rate and malfunctions under certain use conditions. Unless designated as a high reliability product or a product for harsh environments in a Renesas Electronics data sheet or other Renesas Electronics document, Renesas Electronics products are not subject to radiation resistance design. You are responsible for implementing safety measures to guard against the possibility of bodily injury, injury or damage caused by fire, and/or danger to the public in the event of a failure or malfunction of Renesas Electronics products, such as safety design for hardware and software, including but not limited to redundancy, fire control and malfunction prevention, appropriate treatment for aging degradation or any other appropriate measures. Because the evaluation of microcomputer software alone is very difficult and impractical, you are responsible for evaluating the safety of the final products or systems manufactured by you.
8. Please contact a Renesas Electronics sales office for details as to environmental matters such as the environmental compatibility of each Renesas Electronics product. You are responsible for carefully and sufficiently investigating applicable laws and regulations that regulate the inclusion or use of controlled substances, including without limitation, the EU RoHS Directive, and using Renesas Electronics products in compliance with all these applicable laws and regulations. Renesas Electronics disclaims any and all liability for damages or losses occurring as a result of your noncompliance with applicable laws and regulations.
9. Renesas Electronics products and technologies shall not be used for or incorporated into any products or systems whose manufacture, use, or sale is prohibited under any applicable domestic or foreign laws or regulations. You shall comply with any applicable export control laws and regulations promulgated and administered by the governments of any countries asserting jurisdiction over the parties or transactions.
10. It is the responsibility of the buyer or distributor of Renesas Electronics products, or any other party who distributes, disposes of, or otherwise sells or transfers the product to a third party, to notify such third party in advance of the contents and conditions set forth in this document.
11. This document shall not be reprinted, reproduced or duplicated in any form, in whole or in part, without prior written consent of Renesas Electronics.
12. Please contact a Renesas Electronics sales office if you have any questions regarding the information contained in this document or Renesas Electronics products.  
(Note 1) "Renesas Electronics" as used in this document means Renesas Electronics Corporation and also includes its directly or indirectly controlled subsidiaries.  
(Note 2) "Renesas Electronics product(s)" means any product developed or manufactured by or for Renesas Electronics.

(Rev.4.0-1 November 2017)



### SALES OFFICES

Renesas Electronics Corporation

<http://www.renesas.com>

Refer to "<http://www.renesas.com/>" for the latest and detailed information.

**Renesas Electronics America Inc.**  
1001 Murphy Ranch Road, Milpitas, CA 95035, U.S.A.  
Tel: +1-408-432-8888, Fax: +1-408-434-5351

**Renesas Electronics Canada Limited**  
9251 Yonge Street, Suite 8309 Richmond Hill, Ontario Canada L4C 9T3  
Tel: +1-905-237-2004

**Renesas Electronics Europe Limited**  
Dukes Meadow, Millboard Road, Bourne End, Buckinghamshire, SL8 5FH, U.K.  
Tel: +44-1628-651-700, Fax: +44-1628-651-804

**Renesas Electronics Europe GmbH**  
Arcadiastrasse 10, 40472 Düsseldorf, Germany  
Tel: +49-211-6503-0, Fax: +49-211-6503-1327

**Renesas Electronics (China) Co., Ltd.**  
Room 1709 Quantum Plaza, No.27 ZhichunLu, Haidian District, Beijing, 100191 P. R. China  
Tel: +86-10-8235-1155, Fax: +86-10-8235-7679

**Renesas Electronics (Shanghai) Co., Ltd.**  
Unit 301, Tower A, Central Towers, 555 Langao Road, Putuo District, Shanghai, 200333 P. R. China  
Tel: +86-21-2226-0888, Fax: +86-21-2226-0999

**Renesas Electronics Hong Kong Limited**  
Unit 1601-1611, 16/F., Tower 2, Grand Century Place, 193 Prince Edward Road West, Mongkok, Kowloon, Hong Kong  
Tel: +852-2265-6688, Fax: +852-2886-9022

**Renesas Electronics Taiwan Co., Ltd.**  
13F, No. 363, Fu Shing North Road, Taipei 10543, Taiwan  
Tel: +886-2-8175-9600, Fax: +886-2-8175-9670

**Renesas Electronics Singapore Pte. Ltd.**  
80 Bendemeer Road, Unit #06-02 Hyflux Innovation Centre, Singapore 339949  
Tel: +65-6213-0200, Fax: +65-6213-0300

**Renesas Electronics Malaysia Sdn.Bhd.**  
Unit 1207, Block B, Menara Amcorp, Amcorp Trade Centre, No. 18, Jln Persiaran Barat, 46050 Petaling Jaya, Selangor Darul Ehsan, Malaysia  
Tel: +60-3-7955-9390, Fax: +60-3-7955-9510

**Renesas Electronics India Pvt. Ltd.**  
No.777C, 100 Feet Road, HAL 2nd Stage, Indiranagar, Bangalore 560 038, India  
Tel: +91-80-67208700, Fax: +91-80-67208777

**Renesas Electronics Korea Co., Ltd.**  
17F, KAMCO Yangjae Tower, 262, Gangnam-daero, Gangnam-gu, Seoul, 06265 Korea  
Tel: +82-2-558-3737, Fax: +82-2-558-5338