

Prevent Reverse Charging of a Lithium Battery to Meet UL Safety Requirement

**Introduction**

Lithium batteries are commonly used in many applications with devices requiring backup power, such as Real Time Clock (RTC) and memory devices.

Whenever lithium batteries are not the single power source in a circuit, there is risk of fire or explosion if the battery is accidentally connected with an electrical power source that would charge the battery.

This application note provides information needed for connecting Lithium batteries in backup power switching circuits such that the circuit meets Underwriters Laboratories (UL) standards. Specifically, UL standard 60950-1 describes the guidelines for Lithium batteries.

**Protection Circuit**

**Protection Circuit for Intersil’s RTCs with Battery Switchover Feature**

All Intersil’s RTCs with a Battery Switchover feature, such as the ISL12026 series, have internal protection circuit to prevent reverse charging. Figure 1 shows the internal switchover circuitry illustrating the complementary control which disables one supply input while enabling the other. The two series MOSFET switches provide safe switching with redundancy. There is also a path from V<sub>DD</sub> to V<sub>BAT</sub> through a MOSFET (M1) used to pull-up the V<sub>BAT</sub> switch gate, and two 200Ω resistors (R1 and R2). If the M1 gate is shorted, the current through resistors R1 and R2 limits the charging current to the Lithium battery (Up to 9.25mA for V<sub>DD</sub> = 5.5V, V<sub>BAT</sub> = 1.8V).

(A detailed schematic of the battery switchover control block is available upon request.

In order to meet full UL safety requirements, a series Schottky diode needs to be added to the V<sub>BAT</sub> input for these products. The external diode is used to provide protection in the event that the internal MOSFET and

series resistors should fail. Figure 2 shows the actual circuit with the external protection diode. (Note that a high value series resistor would provide similar protection, but would limit normal operating range.)

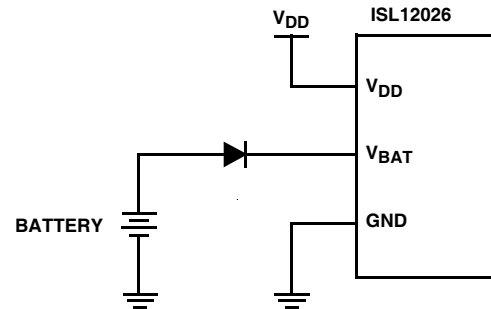


FIGURE 2. PROTECTION CIRCUIT WITH AN EXTERNAL DIODE)

Only use a silicon diode or Schottky diode having a low reverse current. A typical maximum reverse current of 1μA is recommended by UL. A few diodes that can be used that exhibit low reverse current include, but are not limited to, the BAS40, BAS70, and BAT54 diodes.

The reverse current can also be calculated for a specific battery. The maximum reverse current of the diode for a specific battery is given in Equation 1:

$$I_r = \frac{I_c}{T} \times 10^6 \tag{EQ. 1}$$

where I<sub>r</sub> is the maximum reverse current in μA, I<sub>c</sub> is the total allowable charging amount of a battery in mAh, and T is the total usage time in hour.

I<sub>c</sub> is given in Equation 2:

$$I_c = Q \times t_p \tag{EQ. 2}$$

where Q is the nominal capacity of the battery in mAh and t<sub>p</sub> is the total allowable charging period in percent.

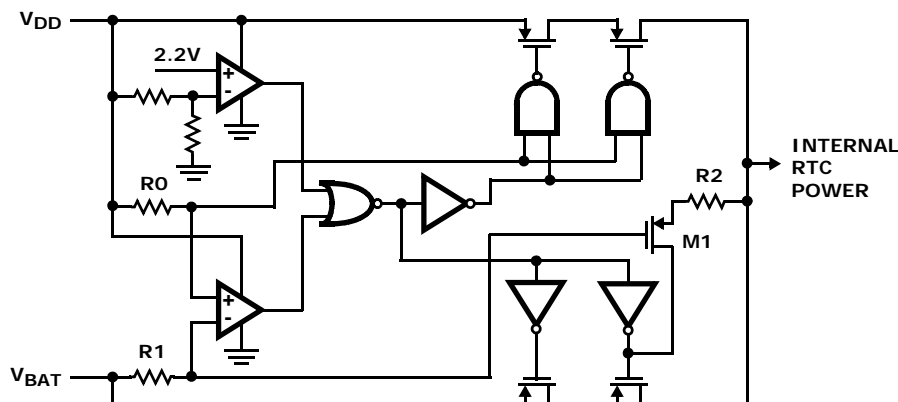


FIGURE 1. SIMPLIFIED BATTERY SWITCHOVER CIRCUIT

For coin type battery,  $t_p$  is 3%. For cylindrical battery,  $t_p$  is 1%.

Example: A 1000mAh coin-type battery is to be used for five years.

With Equation 2,  $I_c$  is 30mAh (1000mAh x 3% (coin-type battery) = 30mAh).

With Equation 1, a diode with a reverse current of  $0.7\mu\text{A}$  or less is required ( $30\text{mAh} \div \text{usage period (5 years x 365 days x 24 hours)} = 0.7\mu\text{A}$ ).

### Protection Circuit for Other Devices Without Internal Protection

For circuits that require a battery backup feature but either do not have a  $V_{\text{BAT}}$  pin or the  $V_{\text{BAT}}$  pin does not offer reverse charging protection, then a classic UL recommended three diode configuration is the best protection against reverse charging.

For example, the ISL12058 does not offer a battery switchover feature but an application requires it. The battery backup function can be added simply by connecting both main supply and backup battery to the  $V_{\text{DD}}$  pin. To have proper protection, a diode is placed in series with the main supply and two diodes are placed in series with the battery. The diode in series with the main supply is to block current from the battery into the main supply. Two diodes in series with the battery are to prevent reverse charging. The second diode is used to provide protection in the event that one should fail. Figure 3 shows the actual circuit with three diodes protection.

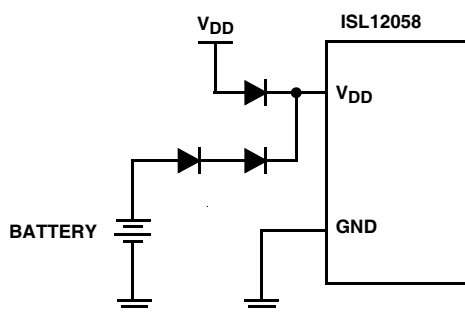


FIGURE 3. PROTECTION CIRCUIT WITH THREE DIODES

### Testing

To insure the protection diodes are properly installed for the reverse charging protection, a simple test sequence is required after installation of the diodes.

A forced reverse charging test is done to insure the diodes are placed correctly to prevent reverse charging current to the battery. This is done by taking  $V_{\text{DD}}$  to 3.6V. The battery input is then forced to 1.8V and the charging current is checked with an ammeter capable of measuring current as low as 100nA to insure that it does not exceed the maximum reverse current of the protection diode. The test circuit is shown in Figure 4.

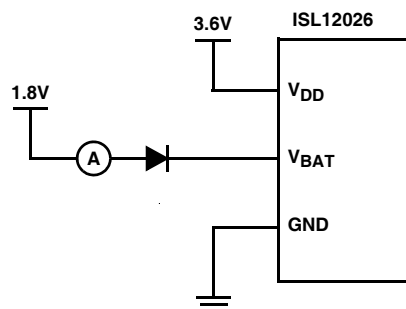


FIGURE 4. TEST CIRCUIT FOR REVERSE CHARGING PROTECTION

### Conclusion

Lithium batteries are commonly used in a wide range of applications with devices requiring backup power, such as RTCs and memory devices. In order to meet UL standards for maximum charging (leakage) current, extra circuitry is required such as low leakage diodes even though a protected device has internal reverse charging protection. For a system with supplies other than the lithium battery, diode protection is not required but may be put in place to prevent any reverse charging from occurring.

### Appendix

- A) Intersil devices that require one diode in series (Figure 2 on page 1) with the  $V_{\text{BAT}}$  pin for UL requirements: ISL1208, ISL1209, ISL1218, ISL1219, ISL1220, ISL1221, ISL12020, ISL12020M, ISL12022, ISL12022M, ISL12024, ISL12025, ISL12026, ISL12027, ISL12028, ISL12029.
- B) Intersil devices that require two diode in series (Figure 3) for UL requirements: ISL12057, ISL12058, ISL12059.

## Notice

1. Descriptions of circuits, software and other related information in this document are provided only to illustrate the operation of semiconductor products and application examples. You are fully responsible for the incorporation or any other use of the circuits, software, and information in the design of your product or system. Renesas Electronics disclaims any and all liability for any losses and damages incurred by you or third parties arising from the use of these circuits, software, or information.
2. Renesas Electronics hereby expressly disclaims any warranties against and liability for infringement or any other claims involving patents, copyrights, or other intellectual property rights of third parties, by or arising from the use of Renesas Electronics products or technical information described in this document, including but not limited to, the product data, drawings, charts, programs, algorithms, and application examples.
3. No license, express, implied or otherwise, is granted hereby under any patents, copyrights or other intellectual property rights of Renesas Electronics or others.
4. You shall not alter, modify, copy, or reverse engineer any Renesas Electronics product, whether in whole or in part. Renesas Electronics disclaims any and all liability for any losses or damages incurred by you or third parties arising from such alteration, modification, copying or reverse engineering.
5. Renesas Electronics products are classified according to the following two quality grades: "Standard" and "High Quality". The intended applications for each Renesas Electronics product depends on the product's quality grade, as indicated below.  
"Standard": Computers; office equipment; communications equipment; test and measurement equipment; audio and visual equipment; home electronic appliances; machine tools; personal electronic equipment; industrial robots; etc.  
"High Quality": Transportation equipment (automobiles, trains, ships, etc.); traffic control (traffic lights); large-scale communication equipment; key financial terminal systems; safety control equipment; etc.  
Unless expressly designated as a high reliability product or a product for harsh environments in a Renesas Electronics data sheet or other Renesas Electronics document, Renesas Electronics products are not intended or authorized for use in products or systems that may pose a direct threat to human life or bodily injury (artificial life support devices or systems; surgical implantations; etc.), or may cause serious property damage (space system; undersea repeaters; nuclear power control systems; aircraft control systems; key plant systems; military equipment; etc.). Renesas Electronics disclaims any and all liability for any damages or losses incurred by you or any third parties arising from the use of any Renesas Electronics product that is inconsistent with any Renesas Electronics data sheet, user's manual or other Renesas Electronics document.
6. When using Renesas Electronics products, refer to the latest product information (data sheets, user's manuals, application notes, "General Notes for Handling and Using Semiconductor Devices" in the reliability handbook, etc.), and ensure that usage conditions are within the ranges specified by Renesas Electronics with respect to maximum ratings, operating power supply voltage range, heat dissipation characteristics, installation, etc. Renesas Electronics disclaims any and all liability for any malfunctions, failure or accident arising out of the use of Renesas Electronics products outside of such specified ranges.
7. Although Renesas Electronics endeavors to improve the quality and reliability of Renesas Electronics products, semiconductor products have specific characteristics, such as the occurrence of failure at a certain rate and malfunctions under certain use conditions. Unless designated as a high reliability product or a product for harsh environments in a Renesas Electronics data sheet or other Renesas Electronics document, Renesas Electronics products are not subject to radiation resistance design. You are responsible for implementing safety measures to guard against the possibility of bodily injury, injury or damage caused by fire, and/or danger to the public in the event of a failure or malfunction of Renesas Electronics products, such as safety design for hardware and software, including but not limited to redundancy, fire control and malfunction prevention, appropriate treatment for aging degradation or any other appropriate measures. Because the evaluation of microcomputer software alone is very difficult and impractical, you are responsible for evaluating the safety of the final products or systems manufactured by you.
8. Please contact a Renesas Electronics sales office for details as to environmental matters such as the environmental compatibility of each Renesas Electronics product. You are responsible for carefully and sufficiently investigating applicable laws and regulations that regulate the inclusion or use of controlled substances, including without limitation, the EU RoHS Directive, and using Renesas Electronics products in compliance with all these applicable laws and regulations. Renesas Electronics disclaims any and all liability for damages or losses occurring as a result of your noncompliance with applicable laws and regulations.
9. Renesas Electronics products and technologies shall not be used for or incorporated into any products or systems whose manufacture, use, or sale is prohibited under any applicable domestic or foreign laws or regulations. You shall comply with any applicable export control laws and regulations promulgated and administered by the governments of any countries asserting jurisdiction over the parties or transactions.
10. It is the responsibility of the buyer or distributor of Renesas Electronics products, or any other party who distributes, disposes of, or otherwise sells or transfers the product to a third party, to notify such third party in advance of the contents and conditions set forth in this document.
11. This document shall not be reprinted, reproduced or duplicated in any form, in whole or in part, without prior written consent of Renesas Electronics.
12. Please contact a Renesas Electronics sales office if you have any questions regarding the information contained in this document or Renesas Electronics products.  
(Note 1) "Renesas Electronics" as used in this document means Renesas Electronics Corporation and also includes its directly or indirectly controlled subsidiaries.  
(Note 2) "Renesas Electronics product(s)" means any product developed or manufactured by or for Renesas Electronics.

(Rev.4.0-1 November 2017)



### SALES OFFICES

Renesas Electronics Corporation

<http://www.renesas.com>

Refer to "<http://www.renesas.com/>" for the latest and detailed information.

**Renesas Electronics America Inc.**  
1001 Murphy Ranch Road, Milpitas, CA 95035, U.S.A.  
Tel: +1-408-432-8888, Fax: +1-408-434-5351

**Renesas Electronics Canada Limited**  
9251 Yonge Street, Suite 8309 Richmond Hill, Ontario Canada L4C 9T3  
Tel: +1-905-237-2004

**Renesas Electronics Europe Limited**  
Dukes Meadow, Millboard Road, Bourne End, Buckinghamshire, SL8 5FH, U.K  
Tel: +44-1628-651-700, Fax: +44-1628-651-804

**Renesas Electronics Europe GmbH**  
Arcadiastrasse 10, 40472 Düsseldorf, Germany  
Tel: +49-211-6503-0, Fax: +49-211-6503-1327

**Renesas Electronics (China) Co., Ltd.**  
Room 1709 Quantum Plaza, No.27 ZhichunLu, Haidian District, Beijing, 100191 P. R. China  
Tel: +86-10-8235-1155, Fax: +86-10-8235-7679

**Renesas Electronics (Shanghai) Co., Ltd.**  
Unit 301, Tower A, Central Towers, 555 Langao Road, Putuo District, Shanghai, 200333 P. R. China  
Tel: +86-21-2226-0888, Fax: +86-21-2226-0999

**Renesas Electronics Hong Kong Limited**  
Unit 1601-1611, 16/F., Tower 2, Grand Century Place, 193 Prince Edward Road West, Mongkok, Kowloon, Hong Kong  
Tel: +852-2265-6688, Fax: +852-2886-9022

**Renesas Electronics Taiwan Co., Ltd.**  
13F, No. 363, Fu Shing North Road, Taipei 10543, Taiwan  
Tel: +886-2-8175-9600, Fax: +886-2-8175-9670

**Renesas Electronics Singapore Pte. Ltd.**  
80 Bendemeer Road, Unit #06-02 Hyflux Innovation Centre, Singapore 339949  
Tel: +65-6213-0200, Fax: +65-6213-0300

**Renesas Electronics Malaysia Sdn.Bhd.**  
Unit 1207, Block B, Menara Amcorp, Amcorp Trade Centre, No. 18, Jln Persiaran Barat, 46050 Petaling Jaya, Selangor Darul Ehsan, Malaysia  
Tel: +60-3-7955-9390, Fax: +60-3-7955-9510

**Renesas Electronics India Pvt. Ltd.**  
No.777C, 100 Feet Road, HAL 2nd Stage, Indiranagar, Bangalore 560 038, India  
Tel: +91-80-67208700, Fax: +91-80-67208777

**Renesas Electronics Korea Co., Ltd.**  
17F, KAMCO Yangjae Tower, 262, Gangnam-daero, Gangnam-gu, Seoul, 06265 Korea  
Tel: +82-2-558-3737, Fax: +82-2-558-5338