

# RENESAS TECHNICAL UPDATE

TOYOSU FORESIA, 3-2-24, Toyosu, Koto-ku, Tokyo 135-0061, Japan  
Renesas Electronics Corporation

Product Category	MPU/MCU		Document No.	TN-RA*-A0008A/E	Rev.	1.00
Title	RA6T1, Errata for User's Manual: Hardware for SCE7		Information Category	Technical Notification		
Applicable Product	RA6T1 Group	Lot No.	Reference Document	RA6T1 Group User's Manual Hardware Rev.1.00		
		All				

SCE7 is used in user mode and privileged mode. Therefore, the following descriptions should be deleted.

- In Table 34.1 SCE7 specifications, Privileged mode: The privileged mode signal is connected to the access management circuit and is used to limit control of the SCE7 module to privileged mode only.

RA6T1 User's Manual

34. Secure Cryptographic Engine (SCE7)

**Table 34.1 SCE7 specifications (2 of 2)**

Parameter	Specifications
<del>Privileged mode</del>	<del>The privileged mode signal is connected to the access management circuit and is used to limit control of the SCE7 module to privileged mode only.</del>
Low power consumption	Setting of the module-stop state is possible

- In Figure 34.1, Privileged mode signal.

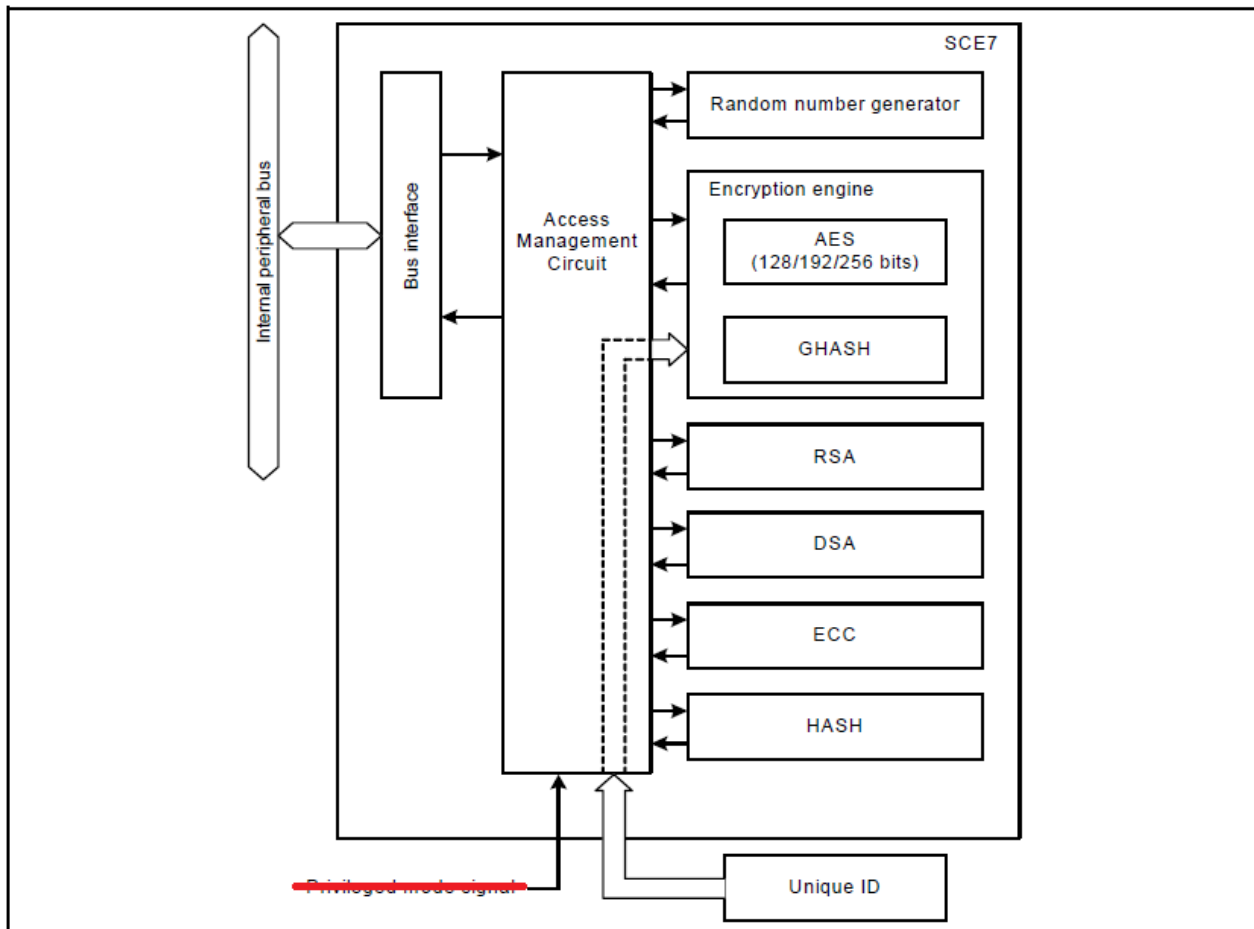


Figure 34.1 SCE7 block diagram