

# RENESAS TECHNICAL UPDATE

1753, Shimonumabe, Nakahara-ku, Kawasaki-shi, Kanagawa 211-8668 Japan  
Renesas Electronics Corporation

Product Category	MPU/MCU		Document No.	TN-RX*-A023A/E	Rev.	1.00
Title	Note on Using Multi-Function Timer Pulse Unit 3 (MTU3) Interrupts		Information Category	Technical Notification		
Applicable Product	RX 62T Group, RX 62G Group, and RX 63T Group	Lot No.	Reference Document	RX62T Group User's Manual: Hardware		
		All lots		RX62G Group User's Manual: Hardware RX63T Group User's Manual: Hardware		

Thank you for your valued patronage and best wishes for your continued success in business.

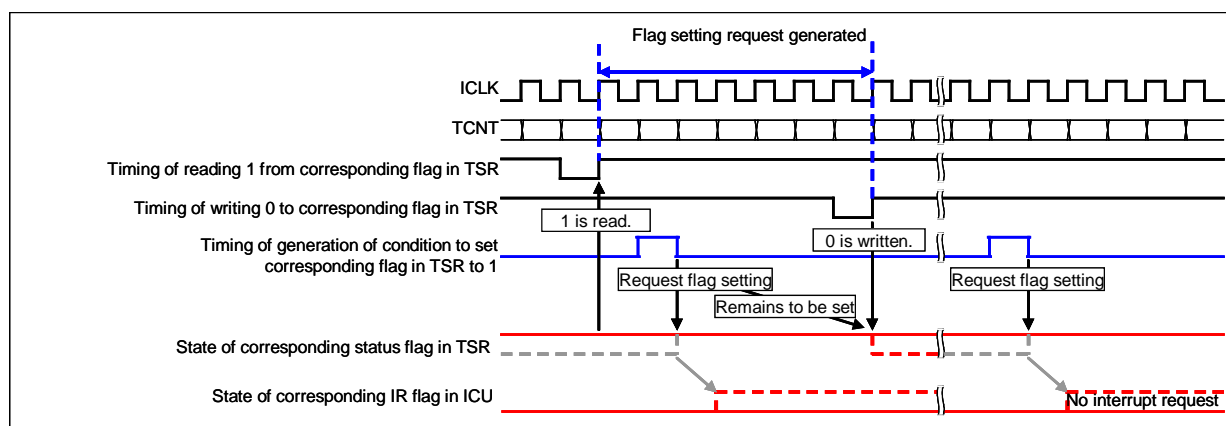
We would like to inform you of a note on using multi-function timer pulse unit 3 (MTU3) interrupts. Take the appropriate measures as described in section 1.2 when necessary.

## 1. Note on Clearing Status Flags in Timer Status Register (TSR)

### 1.1 Description

If a status flag (\*1, \*2, and \*3) in the timer status register (TSR) is cleared to 0 at a certain timing, no MTU3 interrupts may be issued to the CPU after that. The following gives the details.

The specified procedure for clearing a flag is reading 1 from the flag and then writing 0 to the flag as described in the manual (\*4). However, if the interrupt is generated after 1 is read from the corresponding flag before the flag is cleared to 0, the corresponding flag is not cleared but remains 1, thus disabling the clear-to-0 instruction as shown in the figure below. Once this condition occurs, if the interrupt is generated while the status flag is 1, the interrupt status flag in the ICU (IR bit in the IR register) is not set to 1 and thus any interrupt to the CPU is ignored (\*5). Consequently, if an interrupt is generated during the above period or after that before the status flag is reset next time, the interrupt is not processed. To prevent this, use the procedure that is given in section 1.2 to clear a status flag.



\*1: TGF<sub>m</sub> flag (input capture/output compare flag *m*) (*m* = A to F)

\*2: TCF<sub>j</sub> flag (overflow/underflow flag *j*) (*j* = V or U)

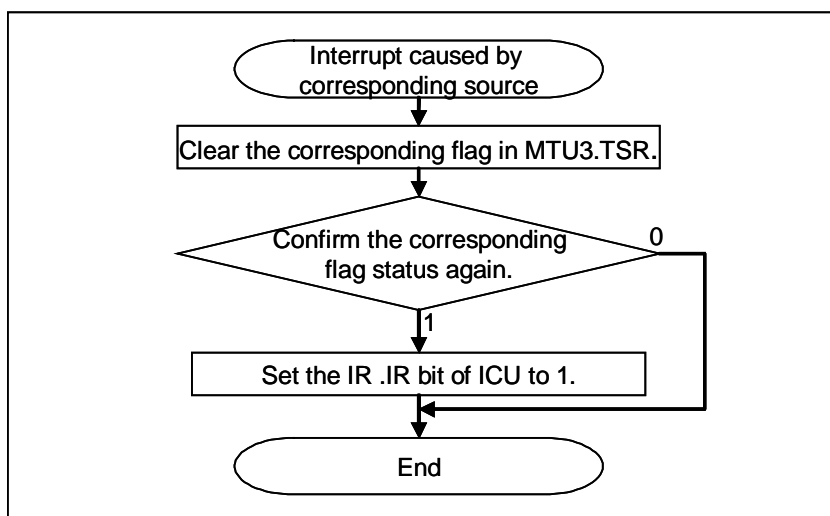
\*3: CMFn<sub>5</sub> flag (compare match/input capture flag *n*) (*n* = U, V, or W)

\*4: Page 479 of RX62T Group User's Manual: Hardware Rev. 1.3

\*5: Section 16.4 on page 613 of RX62T Group User's Manual: Hardware Rev. 1.3

1.2 Permanent Countermeasure

An interrupt request is ignored while the corresponding flag in the TSR is 1; to enable the interrupt again, clear the corresponding flag and take the preventive measures through software as shown in the flowchart below.



1.3 Corrections to the Hardware Manuals

The content of this update is going to be added as a note to the hardware manuals when they are revised next time. The related hardware manuals and their revision numbers and ICU section numbers are listed in table 1.

Table 1 Related Documents and ICU Section Numbers

Group	Related Documents	Rev.	Control Code	ICU Section Number
RX62T	RX62T Group User's Manual: Hardware	1.30	R01UH0034EJ0130	11
RX62G	RX62G Group User's Manual: Hardware	1.00	R01UH0321EJ0100	11
RX63T	RX63T Group User's Manual: Hardware	1.00	R01UH0238EJ0100	14