

RENESAS TECHNICAL UPDATE

TOYOSU FORESIA, 3-2-24, Toyosu, Koto-ku, Tokyo 135-0061, Japan
Renesas Electronics Corporation

Product Category	MPU/MCU		Document No.	TN-RX*-A0227A/E	Rev.	1.00
Title	Errata to User's Manual: Hardware Regarding the I ² C-bus Interface (RIIC)		Information Category	Technical Notification		
Applicable Product	RX130 Group, RX13T Group, RX230 Group, RX231 Group, RX23W Group, RX23E-A Group, RX65N Group, RX651 Group, RX66T Group, RX72T Group, RX66N Group, RX72N Group, RX72M Group	Lot No.	Reference Document	User's Manual: Hardware for applicable products (see the table at the last page)		
		All				

This document describes corrections to the “I²C-bus Interface (RIIC)” chapter in User's Manual: Hardware for the applicable products.

Page and section numbers are based on those of the manual for the RX130 Group. Refer to the table on the last page for the corresponding page and section numbers in the other groups.

• Page 898 of 1384

The first paragraph of the description for the NACK bit in section 29.2.6, I²C-bus Function Enable Register (ICFER) is corrected as follows.

Before correction

This bit is used to specify whether to continue or discontinue the transfer operation when NACK is received **from the slave device** in transmit mode. Normally, set this bit to 1.

After correction

This bit is used to specify whether to continue or discontinue the data transfer when NACK is received in transmit mode. Normally, set this bit to 1.

• Page 906 of 1384

The second paragraph of the description for the AL flag in section 29.2.10, I²C-bus Status Register 2 (ICSR2) is corrected as follows.

Before correction

The RIIC can also set the flag to indicate the detection of loss of arbitration during NACK transmission **in master mode** or during data transmission in slave mode.

After correction

The RIIC can also detect loss of arbitration during NACK transmission **in receive mode** or during data transmission in slave mode.

• Page 908 of 1384

The note for the TDRE flag in section 29.2.10, I²C-bus Status Register 2 (ICSR2) is corrected as follows.

Before correction

Note: When the NACKF flag is set to 1 while the ICFER.NACKE bit is 1, the RIIC aborts data transmission/reception. Here, if the TDRE flag is 0 (next transmit data has been written), data is transferred to the ICDRS register and the ICDRT register becomes empty at the rising edge of the ninth clock cycle, but the TDRE flag is not set to 1.

After correction

Note: The NACKF flag becoming 1 while the ICFER.NACKE bit is 1 suspends data transmission and reception by the RIIC. Even if the next data for transmission has already been written to the ICDRT register (the TDRE flag is 0), the data in the ICDRT register is retained but not transferred to the ICDRS register. At this point, the TDRE flag does not become 1.

• Page 937 of 1384

The first paragraph of section 29.7.3, Device-ID Address Detection is corrected as follows.

Before correction

The RIIC module has a facility for detecting device-ID addresses conformant with the I²C-bus specification (Rev. 03). When the RIIC receives 1111 100b as the first byte after a start condition or restart condition was issued with the ICSER.DIDE bit set to 1, the RIIC recognizes the address as a device ID, sets the ICSR1.DID flag to 1 on the rising edge of the **eighth** SCL clock cycle when the following R/W# bit is 0, and then compares the second and subsequent bytes with its own slave address. If the address matches the value in the slave address register, the RIIC sets the corresponding ICSR1.AASy flag (y = 0 to 2) to 1.

After correction

The RIIC module has a function to detect device-ID addresses complying with the I²C-bus specification. When the RIIC receives 1111 100b as **the first seven bits of** the first byte following a start condition or a restart condition while the ICSER.DIDE bit is set to 1, the RIIC recognizes the address as a device-ID **address**, sets the ICSR1.DID flag to 1 on the rising edge of the **ninth** SCL when the following R/W# bit is 0, and then compares the second and following bytes with its own slave address. If the received address matches the value in the slave address register, the RIIC sets the corresponding ICSR1.AASy flag (y = 0 to 2) to 1.

• Page 938 of 1384

Figure 29.28 in section 29.7.3, Device-ID Address Detection is corrected as follows.

Before correction

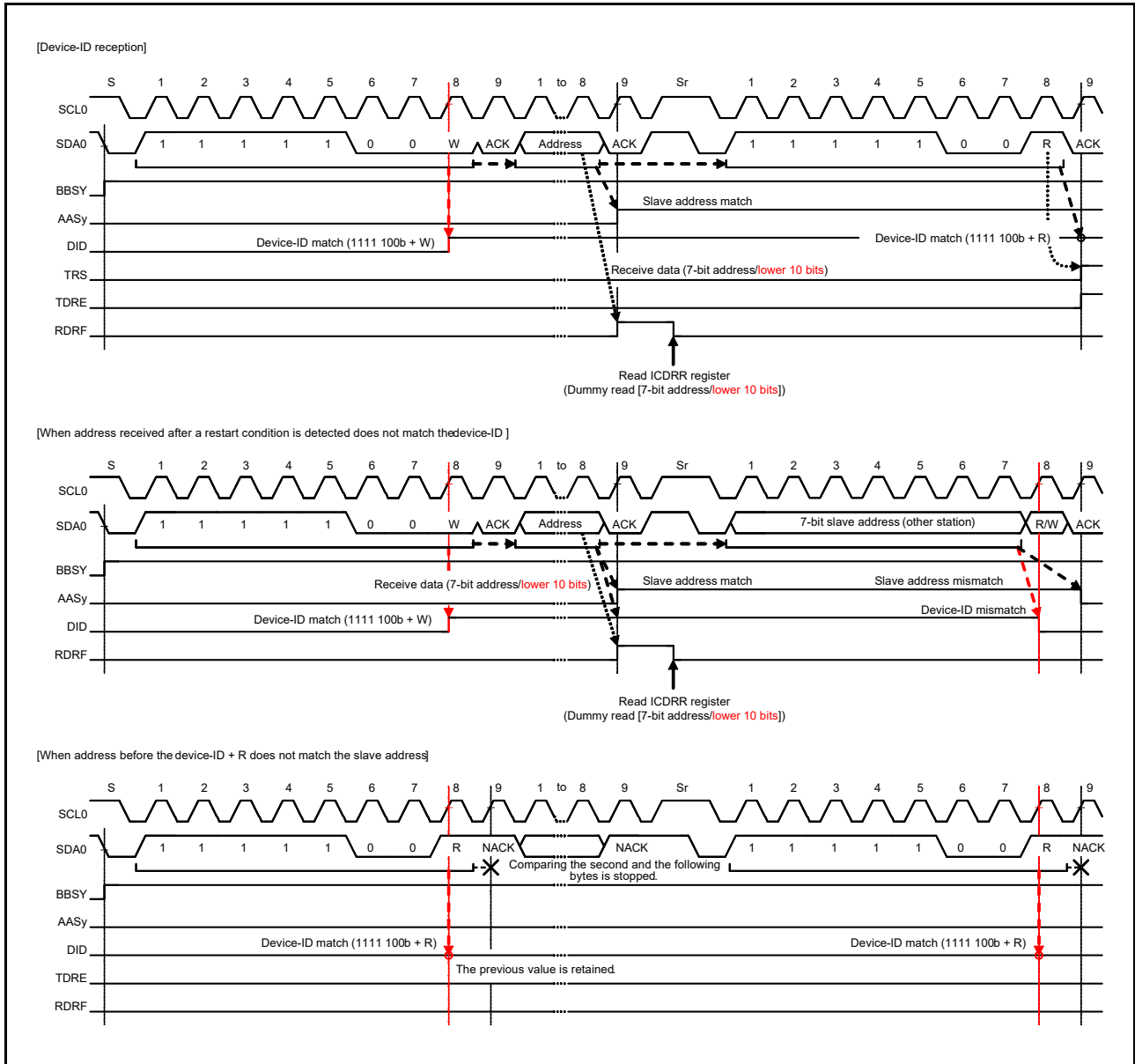


Figure 29.28 AASy/DID Flag Set/Clear Timing during Reception of Device-ID

After correction

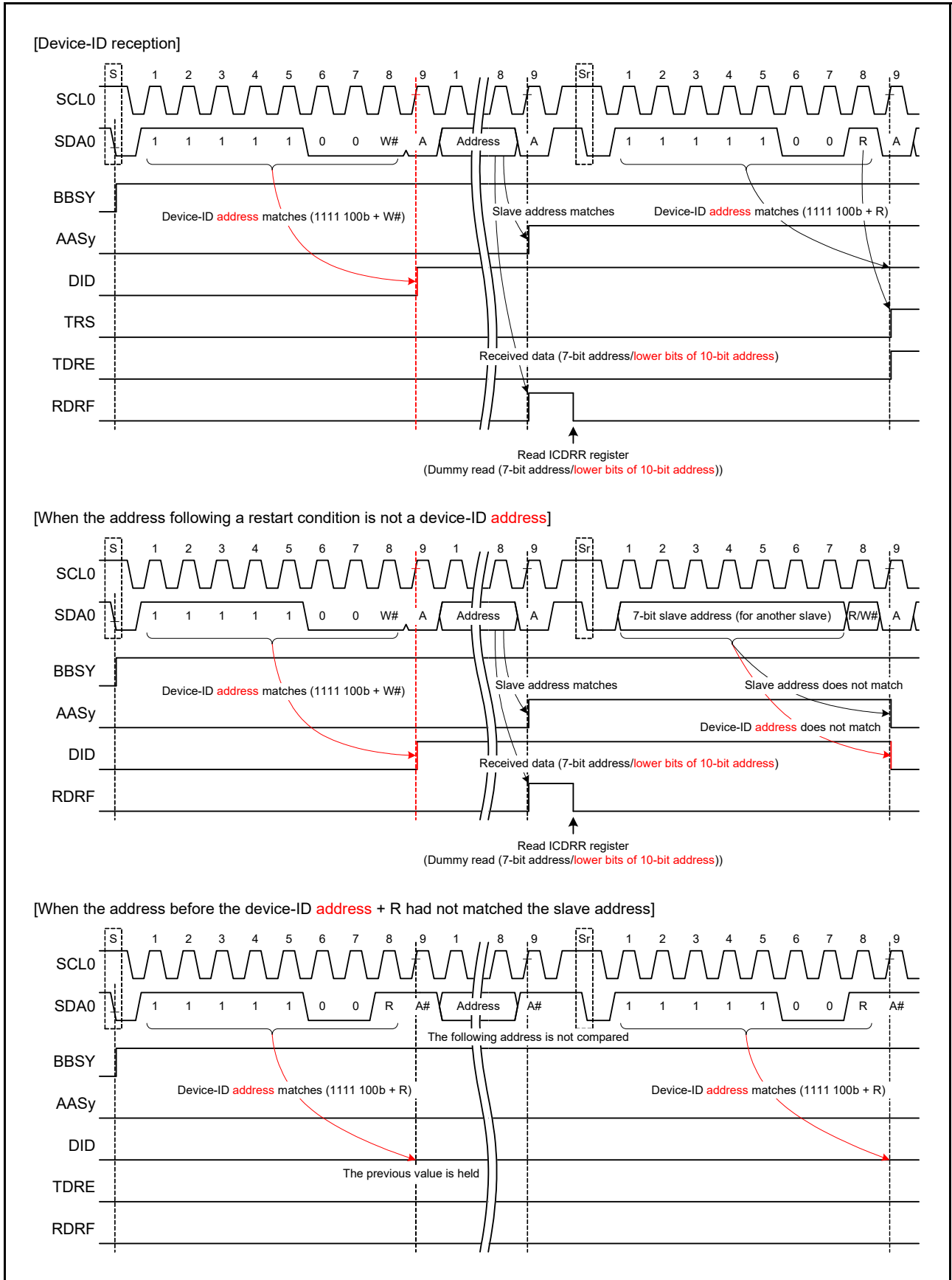


Figure 29.28 Set/Clear Timing of the AASy and DID Flags during Reception of Device-ID Address

• Page 941 of 1384

The second paragraph in section 29.8.2, NACK Reception Transfer Abort Function is corrected as follows.

Before correction

If the transfer operation is aborted by this function (ICSR2.NACKF flag is 1), transmit operation and receive operation are discontinued. To restore transmit/receive operation, be sure to set the NACKF flag to 0. **In master transmit mode, after setting the NACKF flag to 0, issue a restart condition, or issue a stop condition and then issue a start condition again.**

After correction

If the data transmission is suspended (ICSR2.NACKF flag is 1) by this function, the following data transmission and data reception are not started. To resume data transfer, set the NACKF flag to 0. **In master transmit mode, restart data transfer by setting the NACKF flag to 0 after generating a restart condition, or restart data transfer from a start condition after generating a stop condition then setting the NACKF flag to 0.**

• Page 941 of 1384

Figure 29.31 in section 29.8.2, NACK Reception Transfer Abort Function is corrected as follows.

Before correction

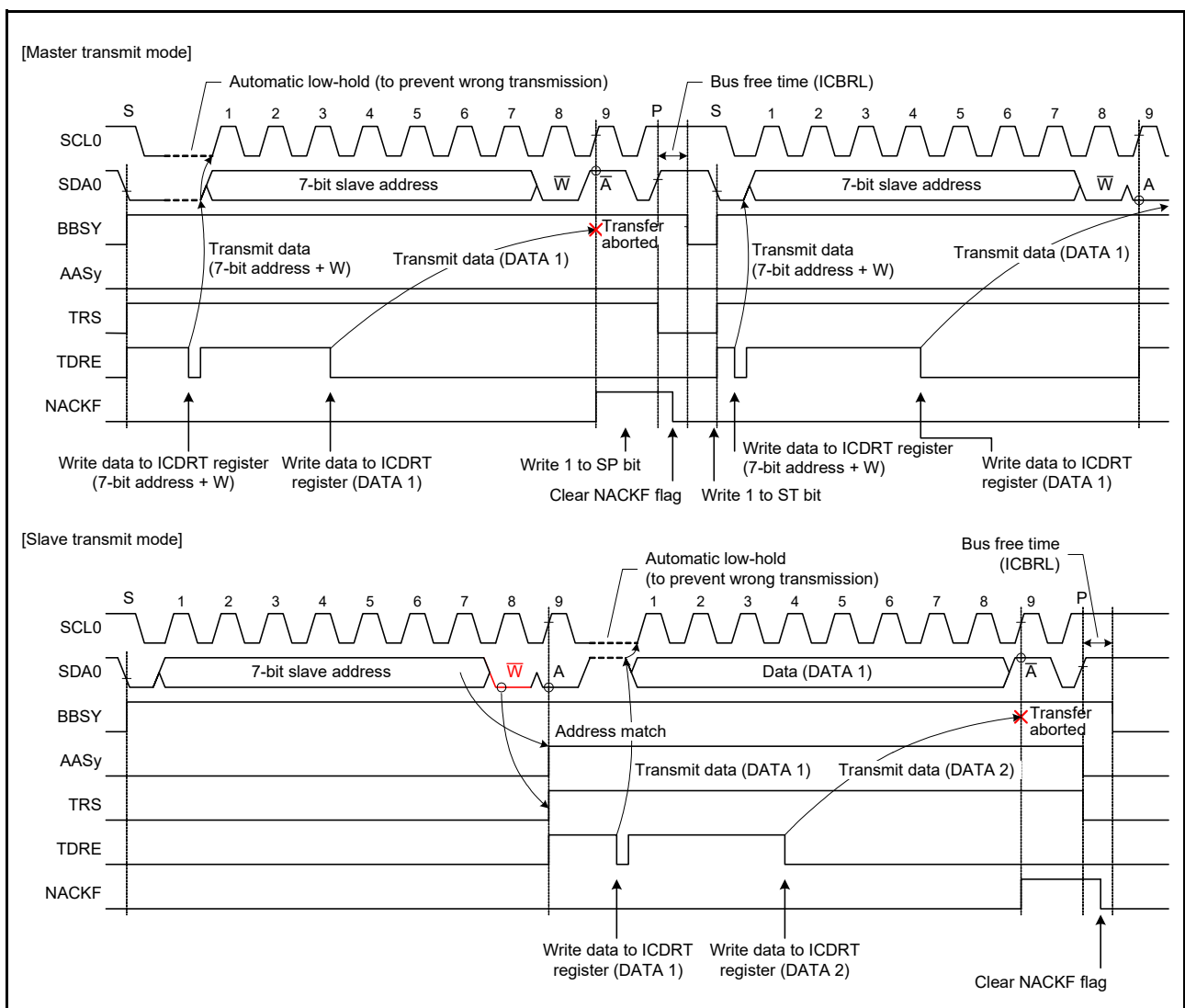


Figure 29.31 Abort of Data Transfer When NACK is Received (NACKF = 1)

After correction

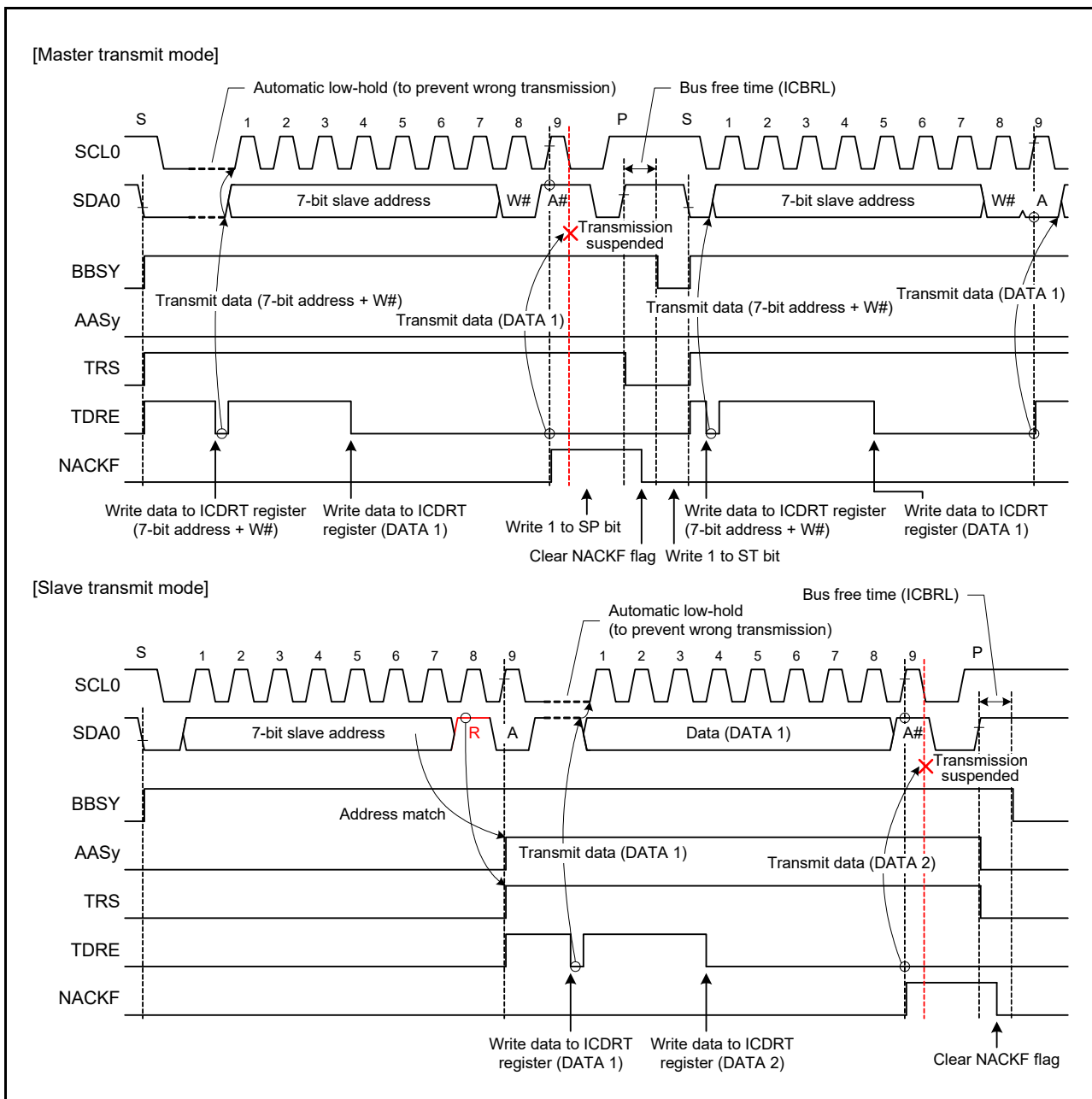


Figure 29.31 Suspension of Data Transmission When NACK is Received (NACKF = 1)

• Page 952 of 1384

The third paragraph in section 29.11.2, Extra SCL Clock Cycle Output Function is modified as follows.

Before correction

When the ICCR1.CLO bit is set to 1 in master mode, a single cycle of the SCL clock at the frequency corresponding to the transfer rate settings (settings of the ICMR1.CKS[2:0] bits, and of registers ICBRH and ICBRL) is output as an extra clock cycle. After output of this single cycle of the SCL clock, the CLO bit is automatically set to 0. Therefore, further extra clock cycles can be output consecutively by writing 1 to the CLO bit after confirming the CLO bit to be 0.

After correction

When the ICCR1.CLO bit is set to 1, an additional clock pulse at the frequency set by the ICMR1.CKS[2:0] bits and the ICBRH and ICBRL registers is output from the SCL0 pin. After output of this clock pulse, the CLO bit automatically becomes 0. **The SCL0 pin is held low when the ICCR2.BBSY flag is 1 and held high when the BBSY flag is 0.**

Consecutive additional clock pulses can be output by writing 1 to the CLO bit after confirming the CLO bit to be 0.

• Page 952 of 1384

The second sentence in the fifth paragraph of section 29.11.2, Extra SCL Clock Cycle Output Function is deleted as follows.

Before correction

Use this facility with the ICFER.MALE bit (master arbitration-lost detection disabled) set to 0. **If the MALE bit is set to 1 (master arbitration-lost detection enabled), arbitration is lost when the value of the ICCR1.SDAO bit does not match the state of the SDA0 line, so take care on this point.**

After correction

Use this function with the ICFER.MALE bit set to 0 (master arbitration-lost detection is disabled).

• Page 952 of 1384

Figure 29.40 in section 29.11.2, Extra SCL Clock Cycle Output Function is corrected as follows.

Before correction

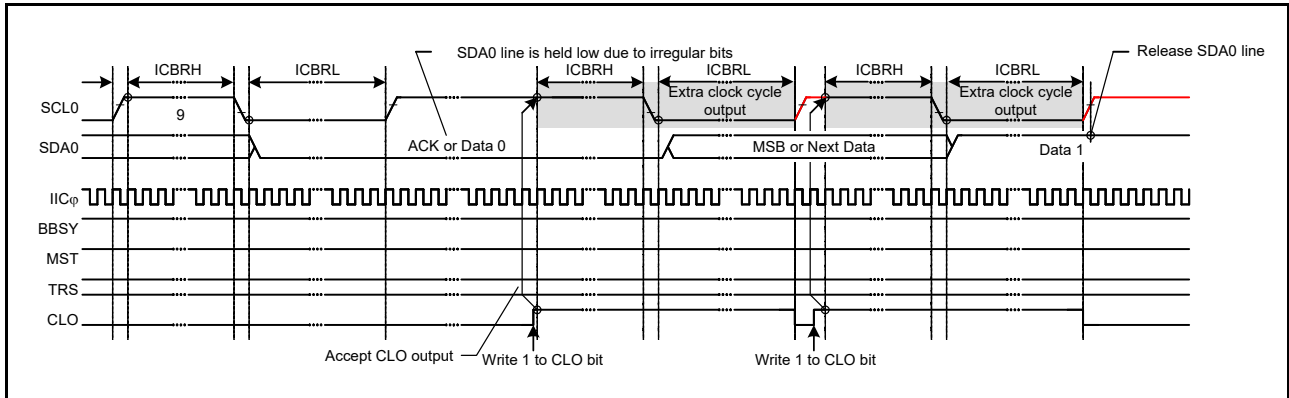


Figure 29.40 Extra SCL Clock Cycle Output Function (CLO Bit)

After correction

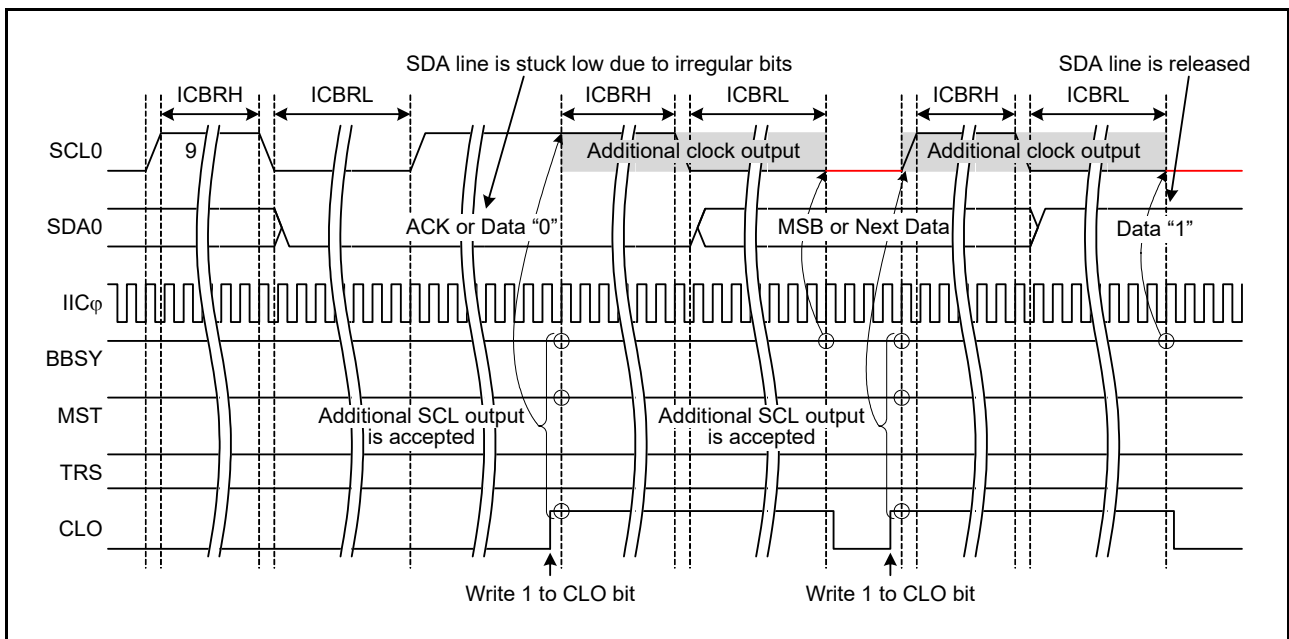


Figure 29.40 Additional SCL Output Function (CLO Bit)

• Page 957 of 1384

Table 29.7 in section 29.14, Initialization of Registers and Functions When a Reset is Issued or a Condition is Detected is corrected as follows.

Before correction

Table 29.7 Reset States of Registers and Functions When a Reset is Issued or a Condition is Detected

		MCU Reset	RIIC Reset (ICE = 0, IICRST = 1)	Internal Reset (ICE = 1, IICRST = 1)	Start Condition/ Restart Condition Detection	Stop Condition Detection
ICCR1	ICE, IICRST	To be reset	Retained	Retained	Retained	Retained
	SCLO, SDAO		To be reset	To be reset		
	Others			Retained		
ICCR2	BBSY	To be reset	To be reset	Retained	Retained	Retained
	ST, RS			To be reset	To be reset	
	TRS, MST				Retained	To be reset
	SP				To be reset	To be reset
ICMR1	BC[2:0]	To be reset	To be reset	To be reset	To be reset	Retained
	Others				Retained	
ICMR2		To be reset	To be reset	Retained	Retained	Retained
ICMR3	ACKBT	To be reset	To be reset	Retained	Retained	To be reset
	Others					Retained
ICFER		To be reset	To be reset	Retained	Retained	Retained
ICSER		To be reset	To be reset	Retained	Retained	Retained
ICIER		To be reset	To be reset	Retained	Retained	Retained
ICSR1		To be reset	To be reset	To be reset	Retained	To be reset
ICSR2	TDRE, TEND	To be reset	To be reset	To be reset	Retained	To be reset
	START					
	Others					Retained
SARL0, SARL1, SARL2, SARU0, SARU1, SARU2		To be reset	To be reset	Retained	Retained	Retained
ICBRH, ICBRL		To be reset	To be reset	Retained	Retained	Retained
ICDRT		To be reset	To be reset	Retained	Retained	Retained
ICDRR		To be reset	To be reset	Retained	Retained	Retained
ICDRS		To be reset	To be reset	To be reset	Retained	Retained
Timeout function		To be reset	To be reset	To be reset	Operation	Operation
Bus free time measurement		To be reset	To be reset	Operation	Operation	Operation

To be reset: Registers and functions are initialized.

Retained: Registers and functions are not initialized, but retained or updated according to the state.

After correction

Table 29.7 Reset States of Registers and Functions When a Reset is Applied or a Condition is Detected

		MCU Reset	RIIC Reset (ICE = 0, IICRST = 1)	Internal Reset (ICE = 1, IICRST = 1)	Start Condition/ Restart Condition Detection	Stop Condition Detection
ICCR1	SDAO, SCLO	To be reset	To be reset	To be reset	Retained	Retained
	IICRST, ICE		Retained	Retained		
	Others		To be reset			
ICCR2	ST, RS	To be reset	To be reset	To be reset	To be reset	Retained
	SP					To be reset
	TRS				See note 1	
	MST				See note 1	
	BBSY				Retained	Becomes 1
ICMR1	BC[2:0]	To be reset	To be reset	To be reset	To be reset	Retained
	Others			Retained		
ICMR2		To be reset	To be reset	Retained	Retained	Retained
ICMR3	ACKBT	To be reset	To be reset	Retained	Retained	To be reset
	Others					Retained
ICFER		To be reset	To be reset	Retained	Retained	Retained
ICSER		To be reset	To be reset	Retained	Retained	Retained
ICIER		To be reset	To be reset	Retained	Retained	Retained
ICSR1		To be reset	To be reset	To be reset	Retained	To be reset
ICSR2	START	To be reset	To be reset	To be reset	Becomes 1	To be reset
	STOP				Retained	Becomes 1
	TEND					To be reset
	TDRE				See note 1	
	Others				Retained	Retained
SARL0, SARL1, SARL2, SARU0, SARU1, SARU2		To be reset	To be reset	Retained	Retained	Retained
ICBRH, ICBRL		To be reset	To be reset	Retained	Retained	Retained
ICDRT		To be reset	To be reset	Retained	Retained	Retained
ICDRR		To be reset	To be reset	Retained	Retained	Retained
ICDRS		To be reset	To be reset	To be reset	Retained	Retained
Timeout function		To be reset	To be reset	To be reset	Operation	Operation
Bus free time measurement		To be reset	To be reset	Operation	Operation	Operation

Note 1. This bit is not reset. This bit becomes 0 or 1 in accordance with the conditions.

Reference Documents

Applicable Products	Manual Title (Document Number)
RX130 Group	RX130 Group User's Manual: Hardware Rev.3.00 (R01UH0560EJ0300)
RX13T Group	RX13T Group User's Manual: Hardware Rev.1.00 (R01UH0822EJ0100)
RX230 Group, RX231 Group	RX230 Group, RX231 Group User's Manual: Hardware Rev.1.20 (R01UH0496EJ0120)
RX23E-A Group	RX23E-A Group User's Manual: Hardware Rev.1.00 (R01UH0801EJ0100)
RX23W Group	RX23W Group User's Manual: Hardware Rev.1.00 (R01UH0823EJ0100)
RX65N Group, RX651 Group	RX65N Group, RX651 Group User's Manual: Hardware Rev.2.30 (R01UH0590EJ0230)
RX66N Group	RX66N Group User's Manual: Hardware Rev.1.00 (R01UH0825EJ0100)
RX66T Group	RX66T Group User's Manual: Hardware Rev.1.10 (R01UH0749EJ0110)
RX72M Group	RX72M Group User's Manual: Hardware Rev.1.00 (R01UH0804EJ0100)
RX72N Group	RX72N Group User's Manual: Hardware Rev.1.00 (R01UH0824EJ0100)
RX72T Group	RX72T Group User's Manual: Hardware Rev.1.00 (R01UH0803EJ0100)

Page Number, Section/Figure/Table Number

Item	Page Number, Section/Figure/Table Number			
	RX130 Group	RX13T Group	RX230 Group, RX231 Group	RX23E-A Group
Descriptions of the ICFER.NACKE bit	Page 898 29.2.6	Page 739 24.2.6	Page 1248 35.2.6	Page 831 29.2.6
Descriptions of the ICSR2.AL flag	Page 906 29.2.10	Page 747 24.2.10	Page 1256 35.2.10	Page 839 29.2.10
Note for the ICSR2.TDRE flag	Page 908 29.2.10	Page 749 24.2.10	Page 1258 35.2.10	Page 841 29.2.10
Description for the device-ID address detection	Page 937 29.7.3	Page 778 24.7.3	Page 1287 35.7.3	Page 870 29.7.3
Figure of the device-ID address detection	Page 938 Figure 29.28	Page 779 Figure 24.28	Page 1288 Figure 35.28	Page 871 Figure 29.28
Descriptions for NACK reception transfer abort	Page 941 29.8.2	Page 782 24.8.2	Page 1291 35.8.2	Page 874 29.8.2
Figure of NACK reception transfer abort	Page 941 Figure 29.31	Page 782 Figure 24.31	Page 1291 Figure 35.31	Page 874 Figure 29.31
The third paragraph of the extra SCL output function	Page 952 29.11.2	Page 793 24.11.2	Page 1302 35.11.2	Page 885 29.11.2
The fifth paragraph of the extra SCL output function	Page 952 29.11.2	Page 793 24.11.2	Page 1302 35.11.2	Page 885 29.11.2
Figure of the extra SCL output function	Page 952 Figure 29.40	Page 793 Figure 24.40	Page 1302 Figure 35.40	Page 885 Figure 29.40
Table of the reset states	Page 957 Table 29.7	Page 798 Table 24.7	Page 1307 Table 35.7	Page 890 Table 29.7

Item	Page Number, Section/Figure/Table Number			
	RX23W Group	RX65N Group, RX651 Group	RX66N Group	RX66T Group
Descriptions of the ICFER.NACKE bit	Page 1128 35.2.6	Page 1790 38.2.6	Page 2059 41.2.6	Page 1644 33.2.6
Descriptions of the ICSR2.AL flag	Page 1136 35.2.10	Page 1798 38.2.10	Page 2067 41.2.10	Page 1652 33.2.10
Note for the ICSR2.TDRE flag	Page 1138 35.2.10	Page 1800 38.2.10	Page 2069 41.2.10	Page 1654 33.2.10
Description for the device-ID address detection	Page 1167 35.7.3	Page 1829 38.7.3	Page 2098 41.7.3	Page 1683 33.7.3
Figure of the device-ID address detection	Page 1168 Figure 35.28	Page 1830 Figure 38.28	Page 2099 Figure 41.28	Page 1684 Figure 33.28
Descriptions for NACK reception transfer abort	Page 1171 35.8.2	Page 1833 38.8.2	Page 2102 41.8.2	Page 1687 33.8.2
Figure of NACK reception transfer abort	Page 1171 Figure 35.31	Page 1833 Figure 38.31	Page 2102 Figure 41.31	Page 1687 Figure 33.31
The third paragraph of the extra SCL output function	Page 1182 35.11.2	Page 1844 38.11.2	Page 2113 41.11.2	Page 1698 33.11.2
The fifth paragraph of the extra SCL output function	Page 1182 35.11.2	Page 1844 38.11.2	Page 2113 41.11.2	Page 1698 33.11.2
Figure of the extra SCL output function	Page 1182 Figure 35.40	Page 1844 Figure 38.40	Page 2113 Figure 41.40	Page 1698 Figure 33.40
Table of the reset states	Page 1187 Table 35.7	Page 1849 Table 38.7	Page 2118 Table 41.7	Page 1703 Table 33.7

Item	Page Number, Section/Figure/Table Number		
	RX72M Group	RX72N Group	RX72T Group
Descriptions of the ICFER.NACKE bit	Page 2309 43.2.6	Page 2230 42.2.6	Page 1622 33.2.6
Descriptions of the ICSR2.AL flag	Page 2317 43.2.10	Page 2238 42.2.10	Page 1630 33.2.10
Note for the ICSR2.TDRE flag	Page 2319 43.2.10	Page 2240 42.2.10	Page 1632 33.2.10
Description for the device-ID address detection	Page 2348 43.7.3	Page 2269 42.7.3	Page 1661 33.7.3
Figure of the device-ID address detection	Page 2349 Figure 43.28	Page 2270 Figure 42.28	Page 1662 Figure 33.28
Descriptions for NACK reception transfer abort	Page 2352 43.8.2	Page 2273 42.8.2	Page 1665 33.8.2
Figure of NACK reception transfer abort	Page 2352 Figure 43.31	Page 2273 Figure 42.31	Page 1665 Figure 33.31
The third paragraph of the extra SCL output function	Page 2363 43.11.2	Page 2284 42.11.2	Page 1676 33.11.2
The fifth paragraph of the extra SCL output function	Page 2363 43.11.2	Page 2284 42.11.2	Page 1676 33.11.2
Figure of the extra SCL output function	Page 2363 Figure 43.40	Page 2284 Figure 42.40	Page 1676 Figure 33.40
Table of the reset states	Page 2368 Table 43.7	Page 2289 Table 42.7	Page 1681 Table 33.7