

RENESAS TECHNICAL UPDATE

1753, Shimonumabe, Nakahara-ku, Kawasaki-shi, Kanagawa 211-8668 Japan
Renesas Electronics Corporation

Product Category	MPU/MCU		Document No.	TN-16C-A198A/E	Rev.	1.00
Title	Errata to R32C/111 Group, R32C/120 Group, R32C/121 Group, R32C/160 Group, R32C/161 Group Hardware Manuals		Information Category	Technical Notification		
Applicable Product	R32C/111 Group R32C/120 Group R32C/121 Group R32C/160 Group R32C/161 Group	Lot No.	Reference Document	R32C/111 Group Hardware Manual Rev. 1.10 (REJ09B0424-0110)		
				R32C/120 Group Hardware Manual Rev. 1.10 (REJ09B0476-0110)		
				R32C/121 Group Hardware Manual Rev. 1.10 (REJ09B0477-0110)		
				R32C/160 Group Hardware Manual Rev. 1.02 (REJ09B0516-0102)		
				R32C/161 Group Hardware Manual Rev. 1.02 (REJ09B0517-0102)		

This document describes corrections to the I/O Pins chapter of hardware manuals listed above.

Chapter Numbers and Page Numbers for Each Group

Group Name	Chapter No.	Page No.
R32C/111	24	369 of 493
R32C/120	26	468 of 588
R32C/121	26	483 of 604
R32C/160	25	456 of 572
R32C/161	25	470 of 586

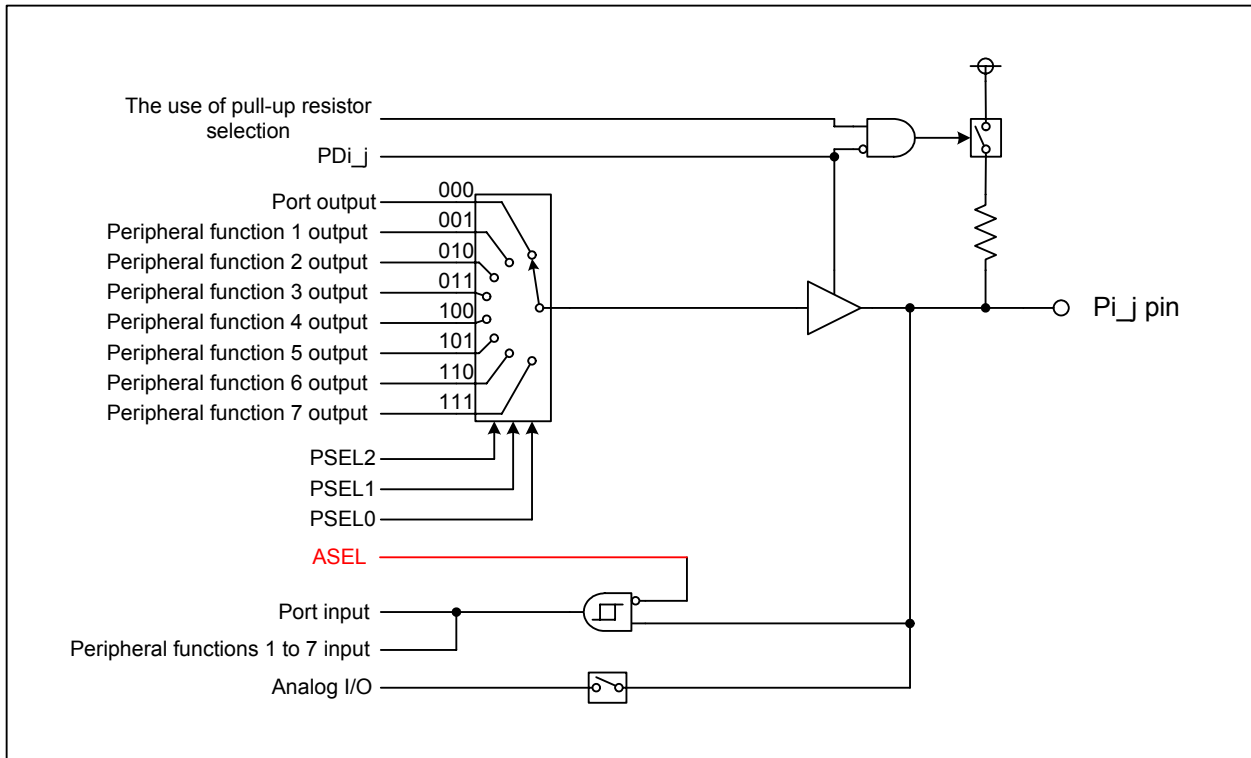
The corrections are indicated in red in the list below.

- Description at the beginning of the I/O Pins chapter was corrected as follows:

“However, a pull-up resistor is separated from other peripheral functions even if it is enabled, when a pin functions as an output pin.”

(“or an analog I/O pin” was deleted.)

•The typical I/O pin block diagram in the first page of the I/O Pins chapter was corrected as follows:



(The ASEL bit was deleted from conditions for separating a pull-up resistor.)