


# IDT PLL CHIP CARRIER

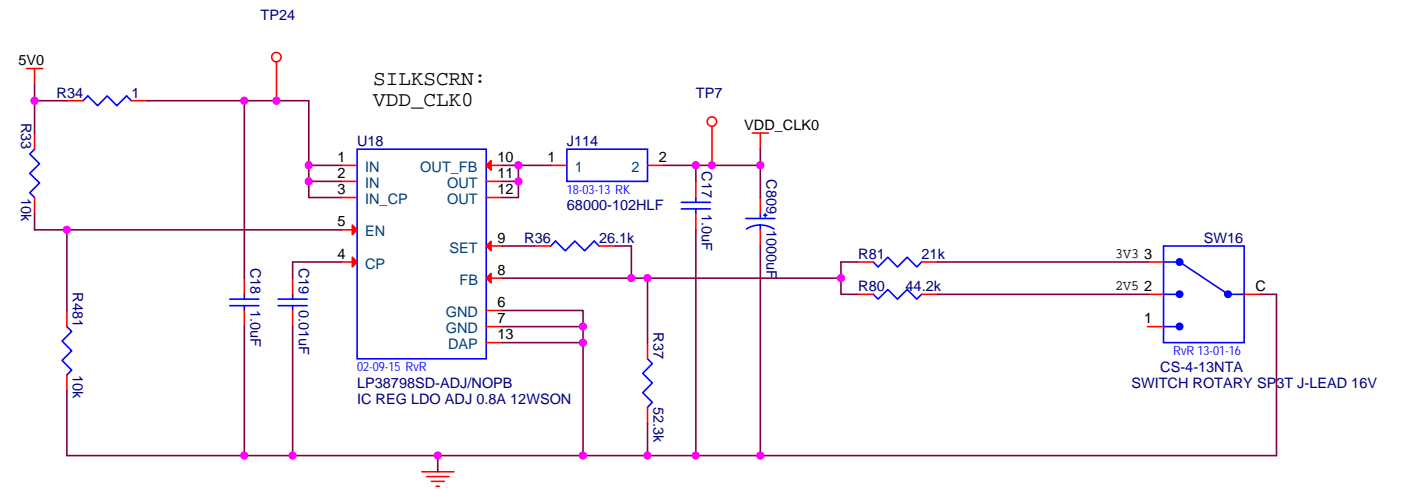
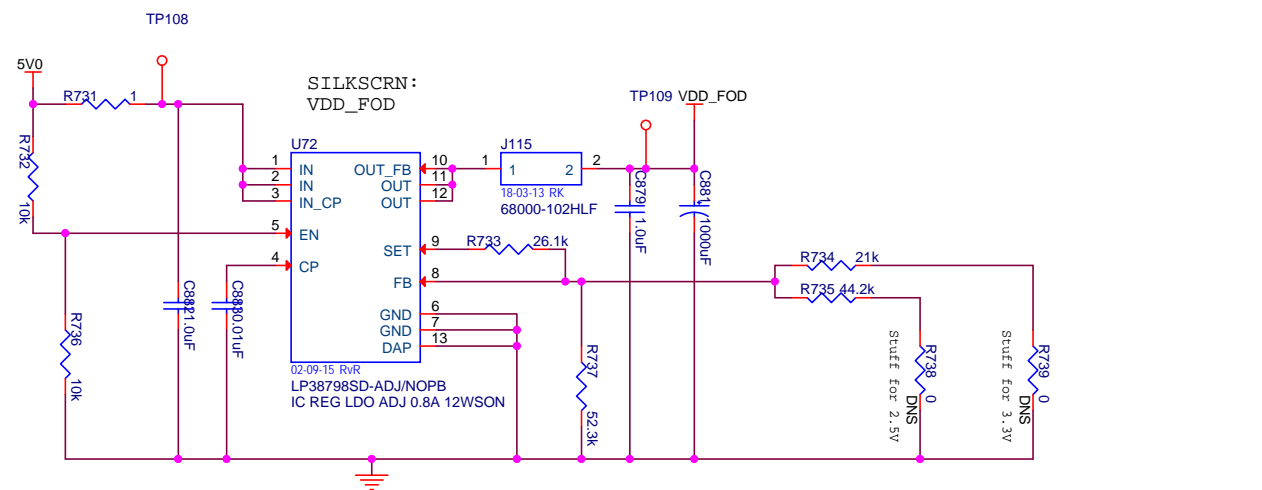
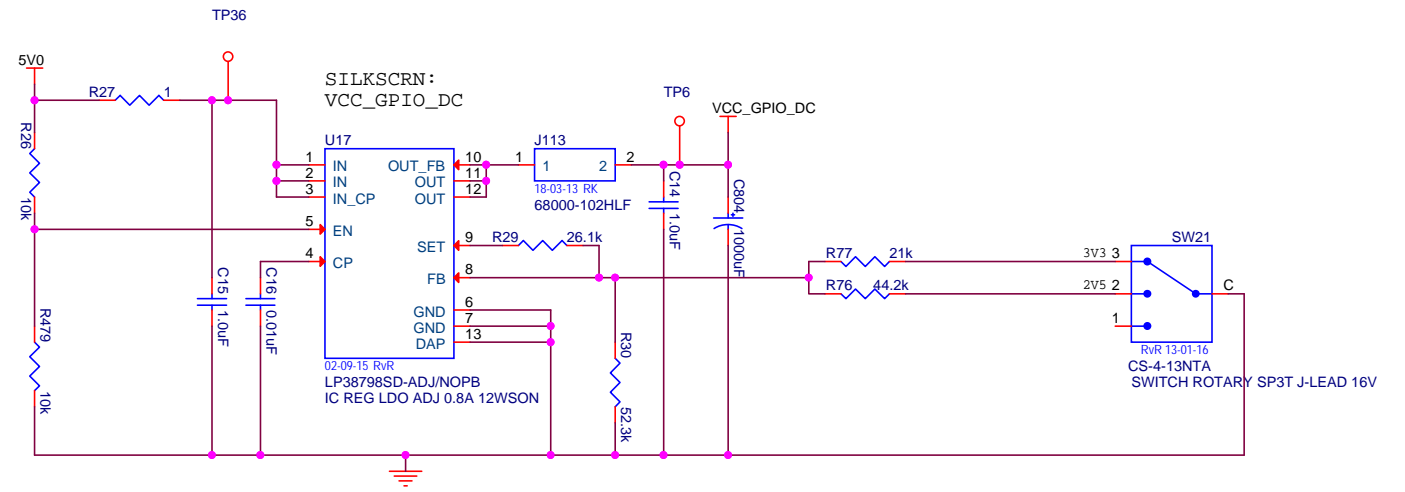
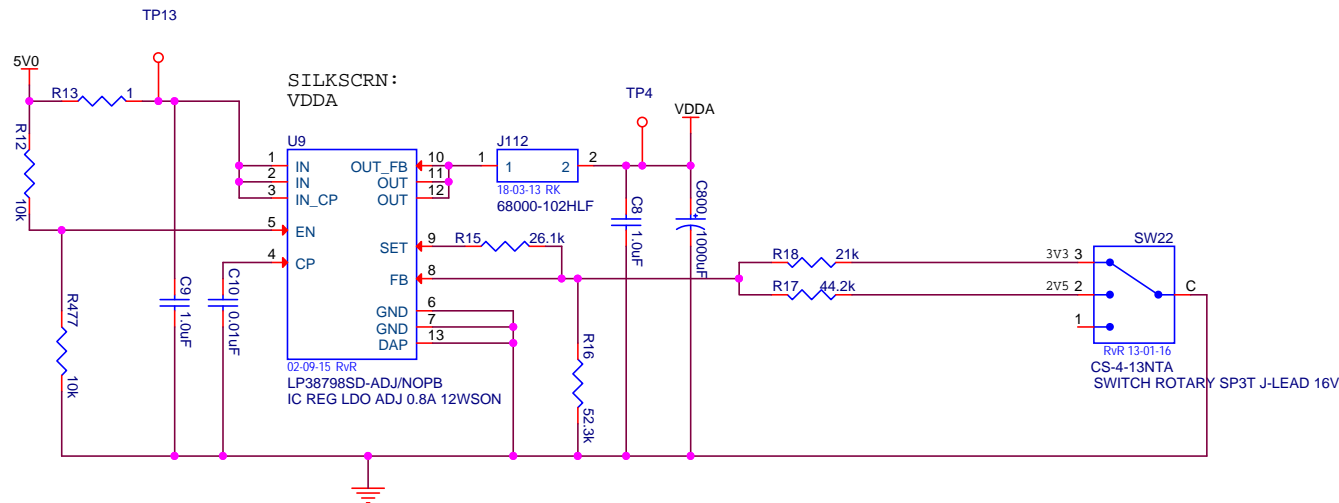
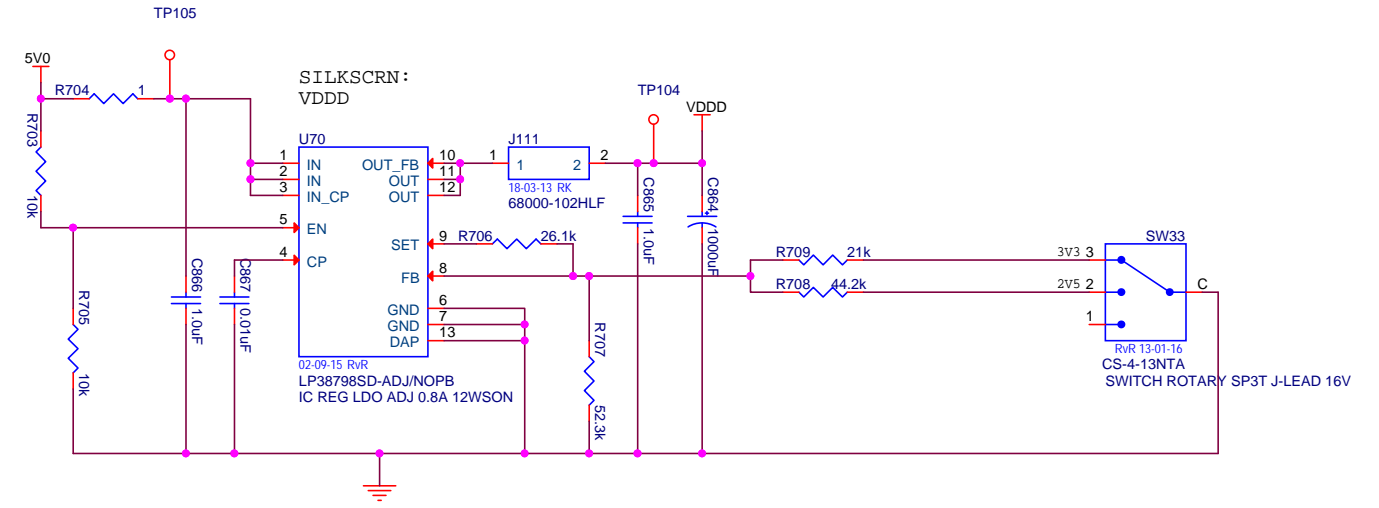
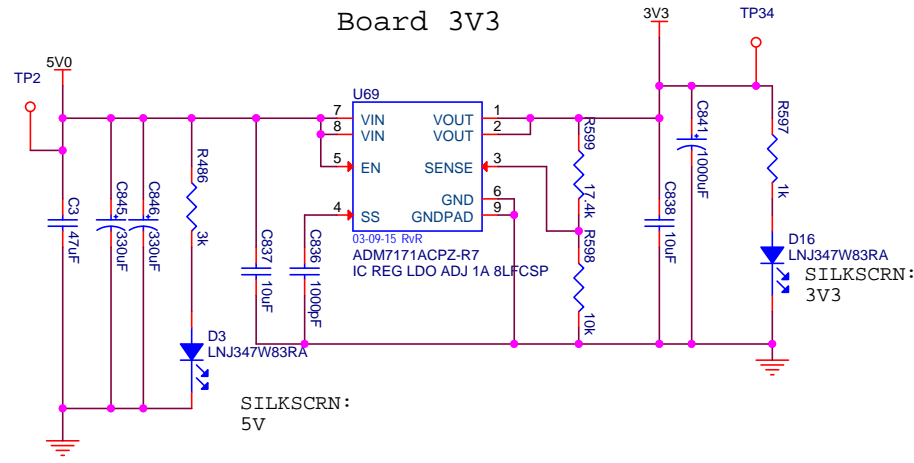
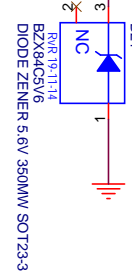
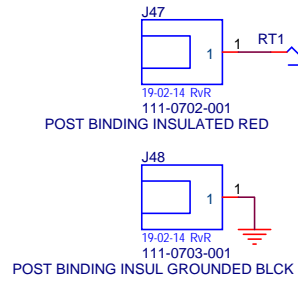
## TABLE OF CONTENTS

PAGE	DESCRIPTION
1	Table of Contents and Revision History
2	PWR SUPPLIES 1
3	PWR SUPPLIES 2
4	FTDI USB, RST
5	PLL CORE, CLOCK IN
6	PLL PWR, CLOCK OUT

## REVISION HISTORY

REVISION	DATE	CHANGE DETAILS
0.1	5 December 2017	First Release
0.2	28 February 2018	For details re changes done, refer to: \\navar\z_10397-01_sch\reviews\DN-10397-01_Changes_Feb 28 2018.xlsx

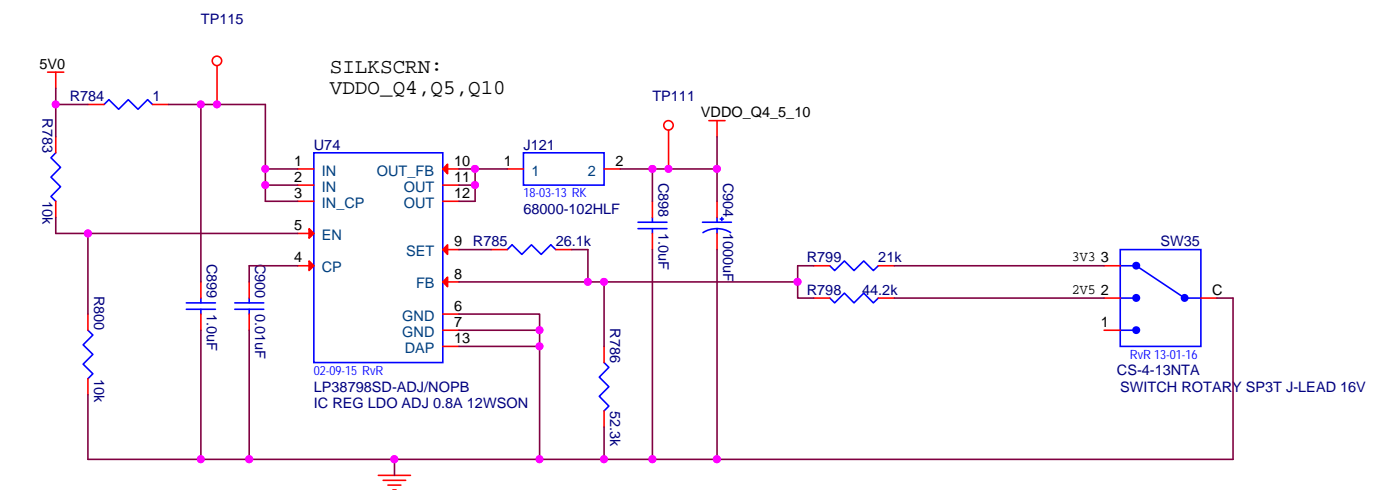
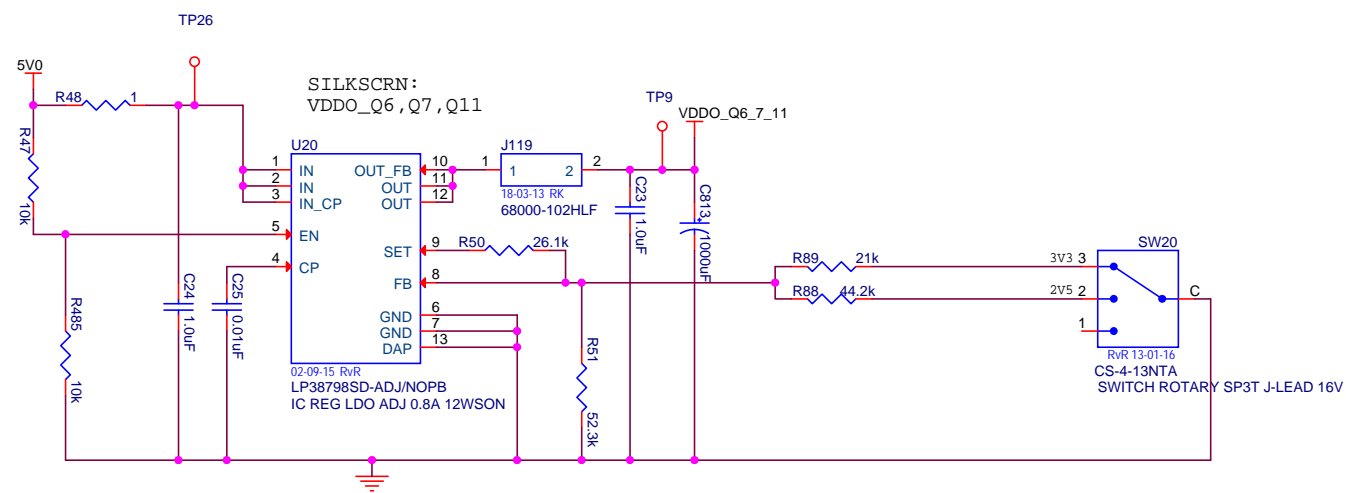
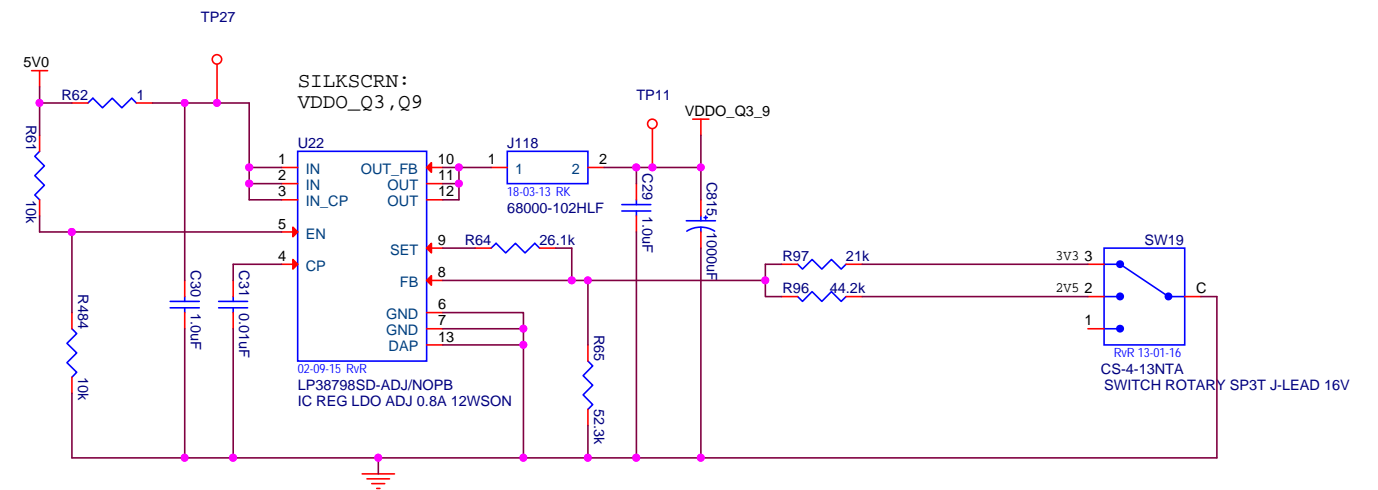
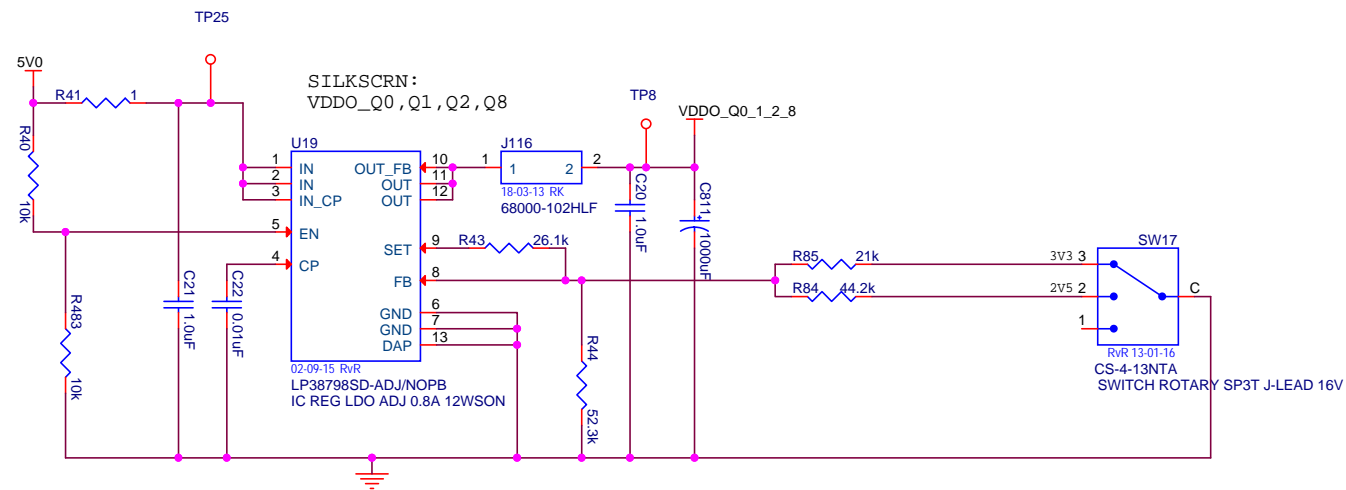
PROJECT NAME	Inavar	 <b>Fidus Systems</b> 375 Terry Fox Drive, Ottawa, ON K2K 0J8
DESIGN	BM	TITLE <b>IDT PLL Chip Carrier</b>
DRAWN	BM	SUBTITLE <b>Table of Contents and Revision History</b>
CHECK	CL	DRAWING NUMBER <b>SK-10397-01</b>
		REVISION <b>0.2</b>
		RELEASE DATE <b>5 December 2017</b>
		SHEET <b>1 OF 6</b>



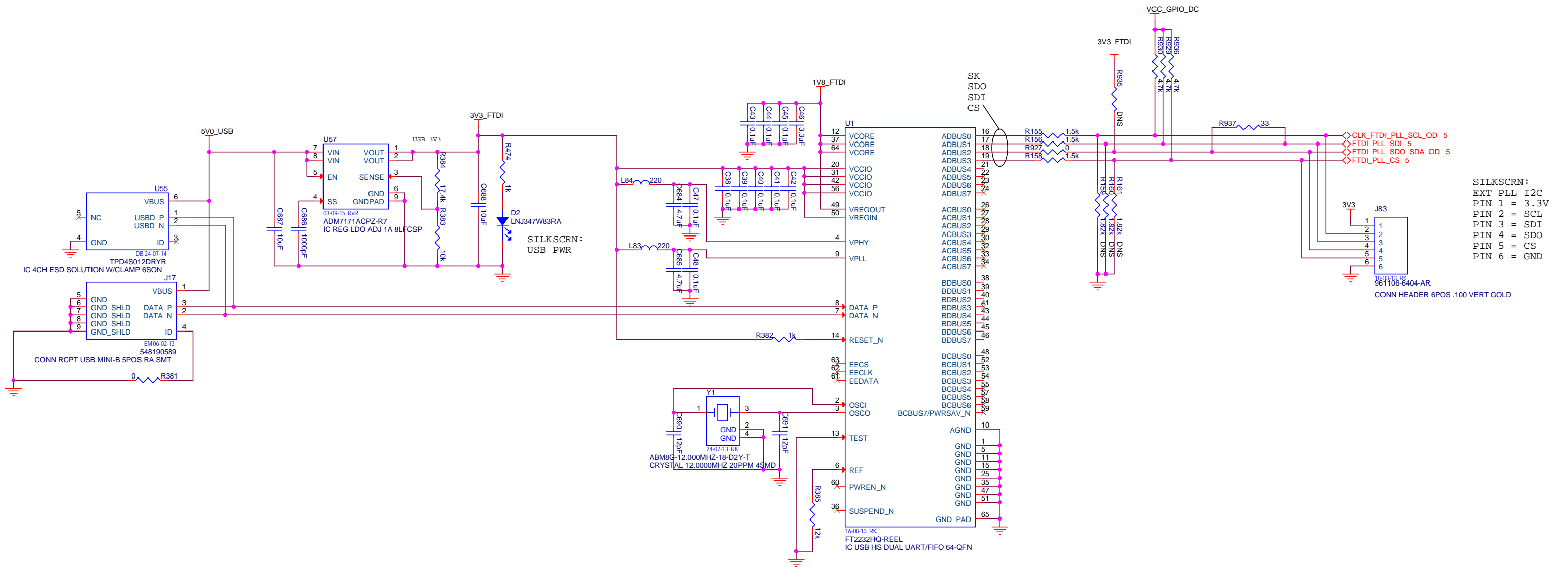
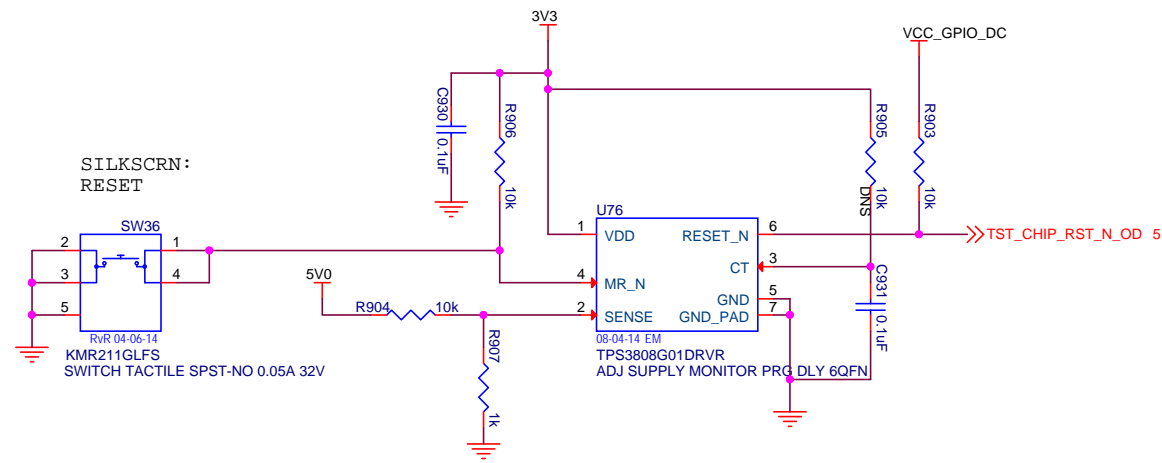
LDO Switch Legend

POS 3 = 3V3  
POS 2 = 2V5  
POS 1 = 1V8/FPGA control

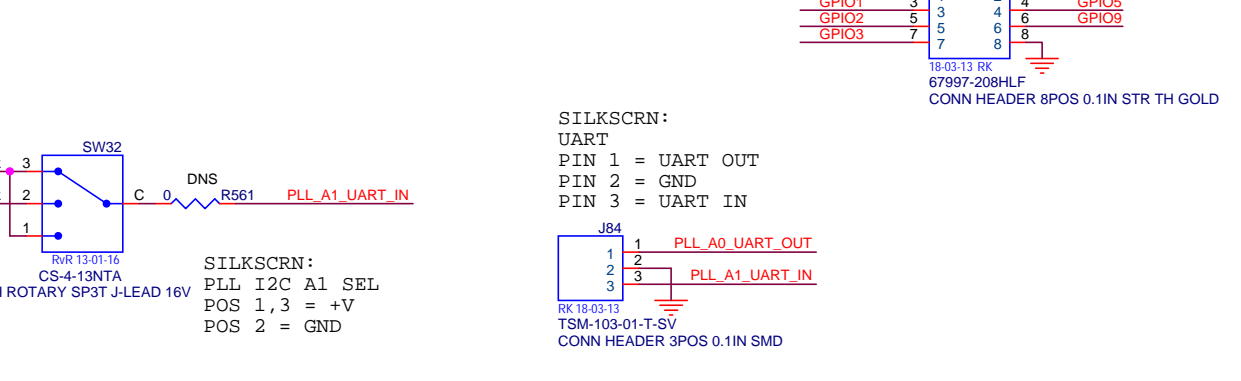
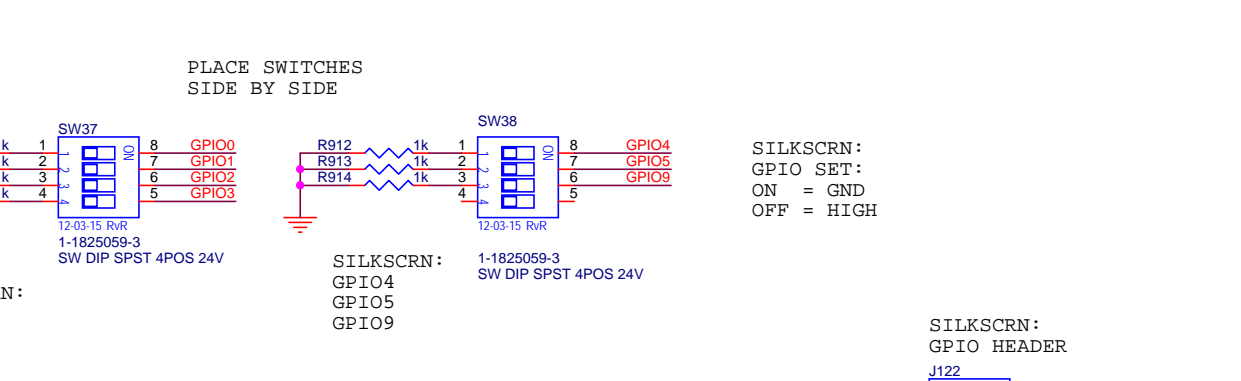
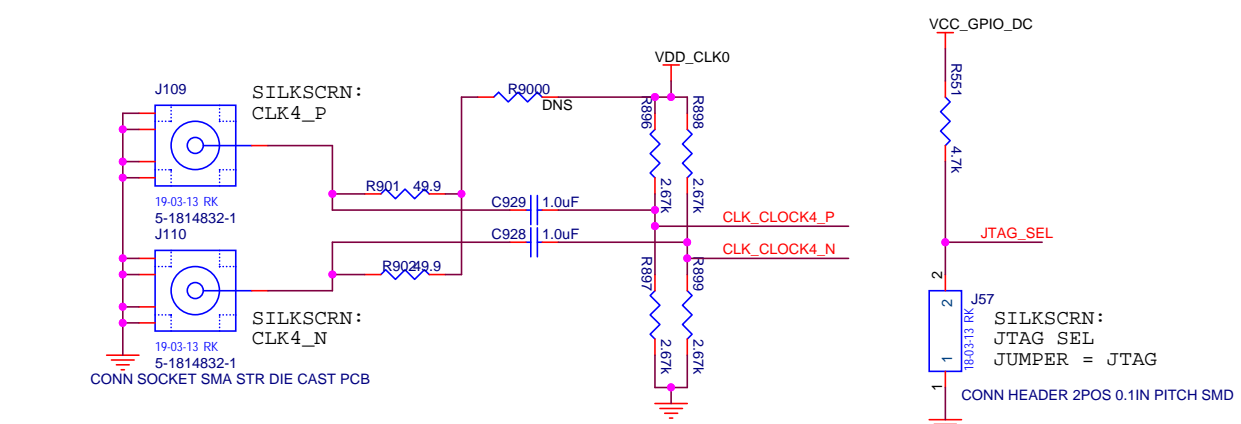
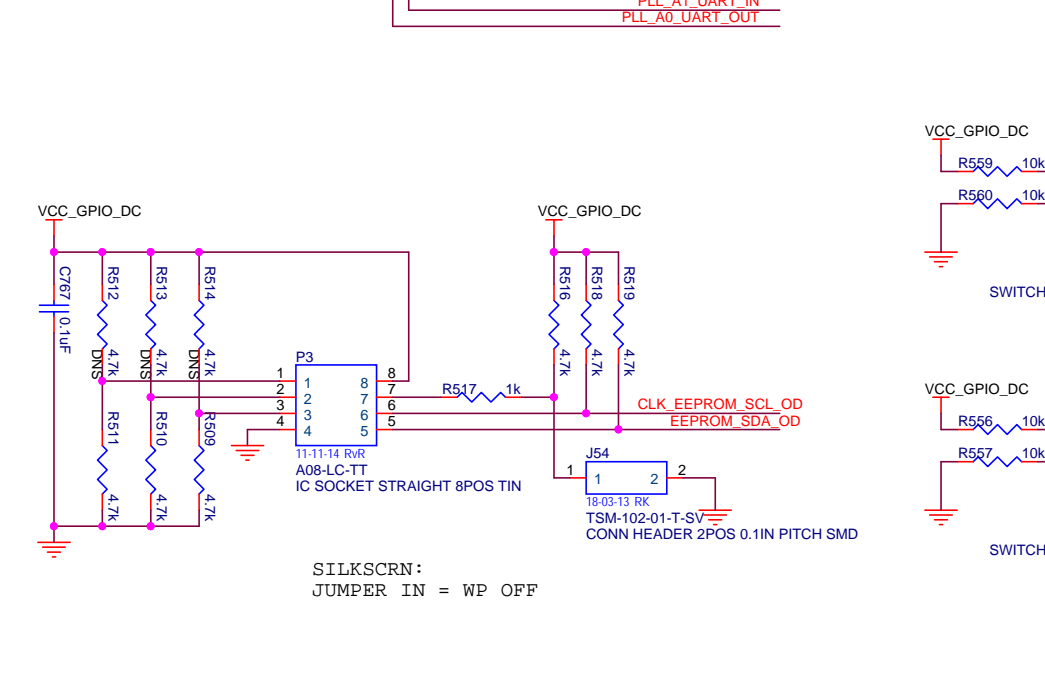
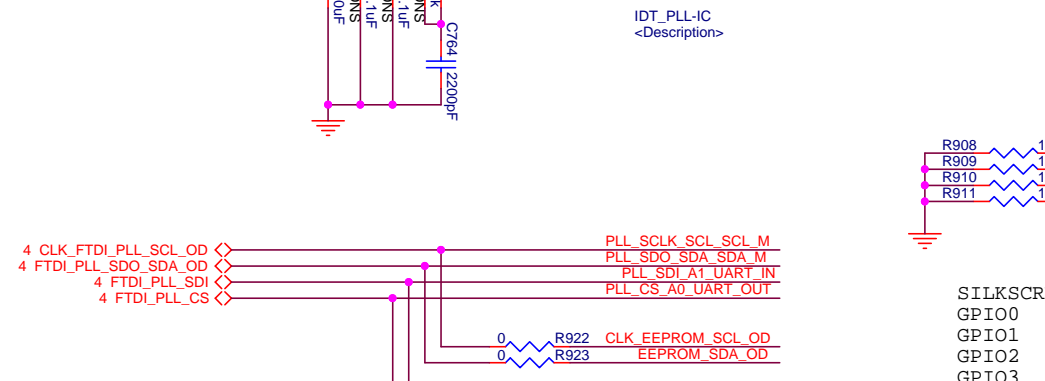
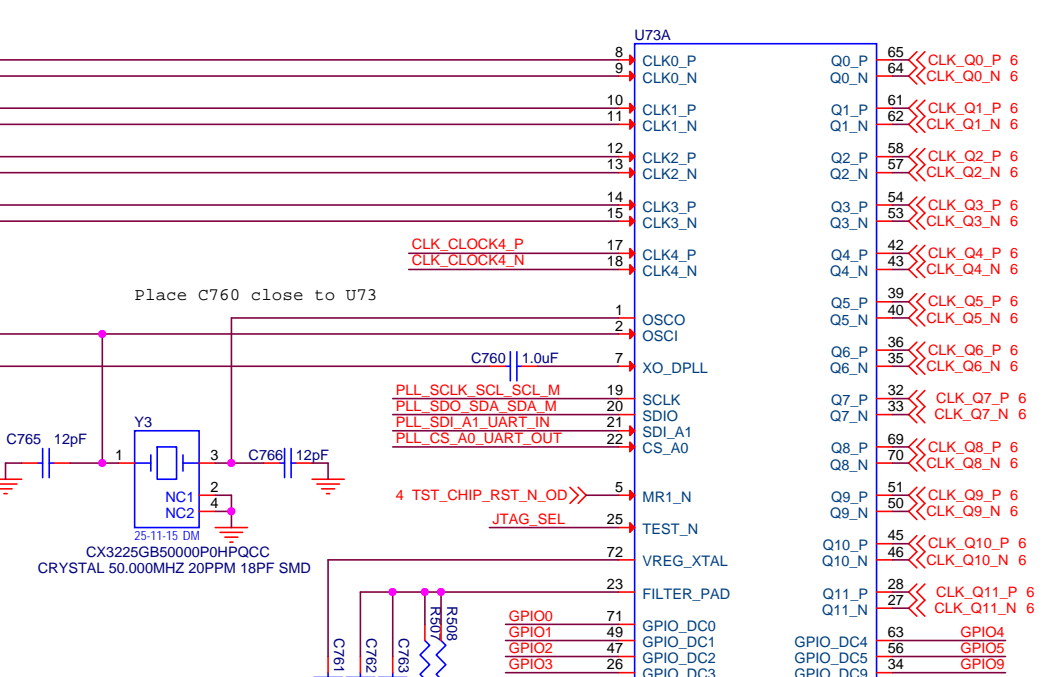
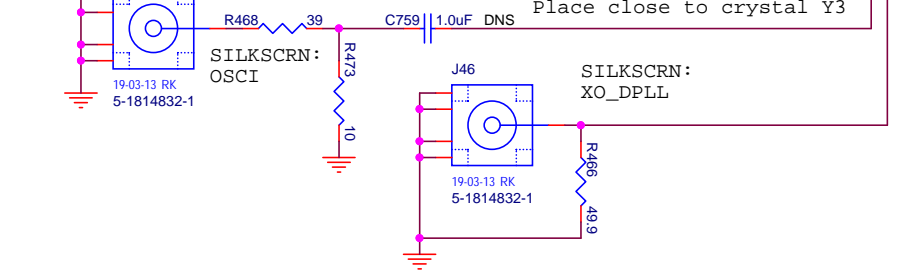
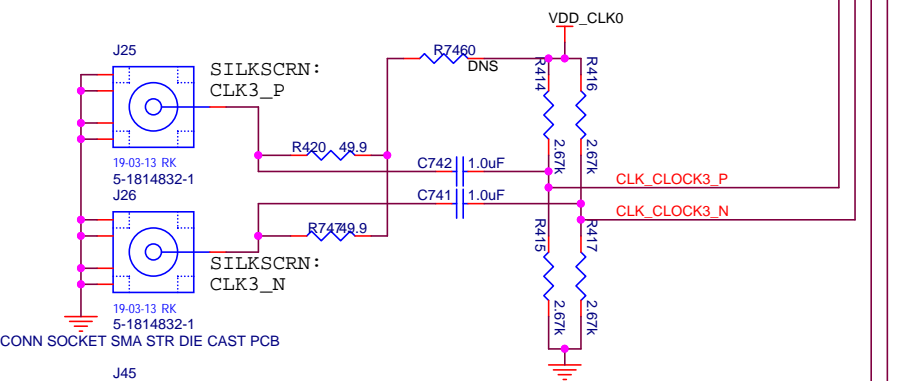
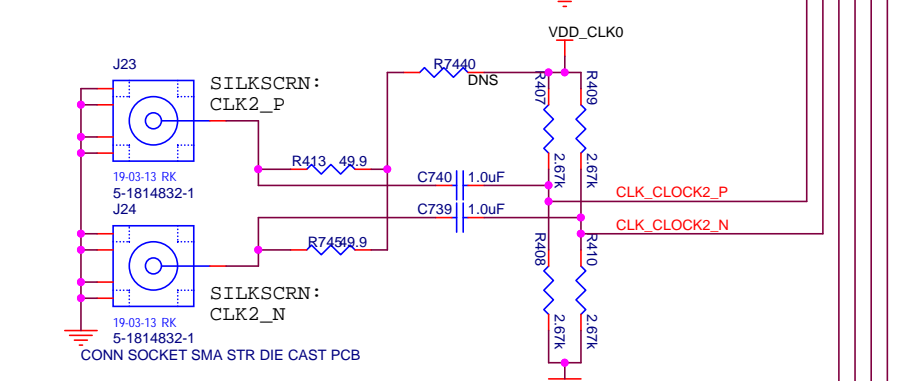
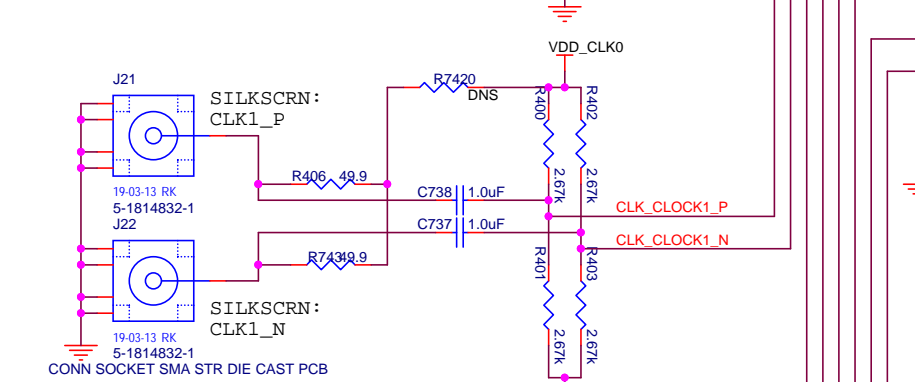
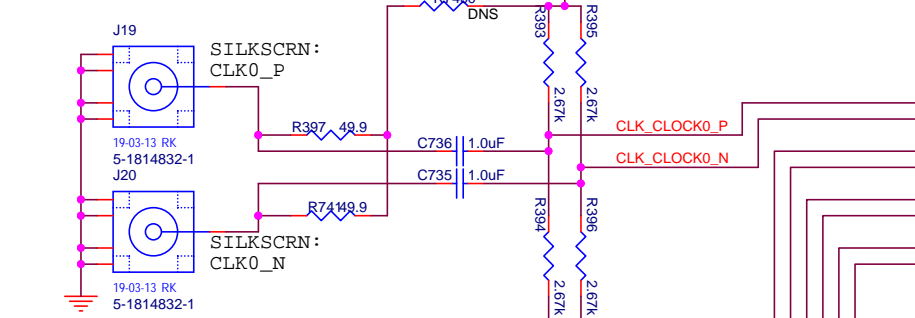
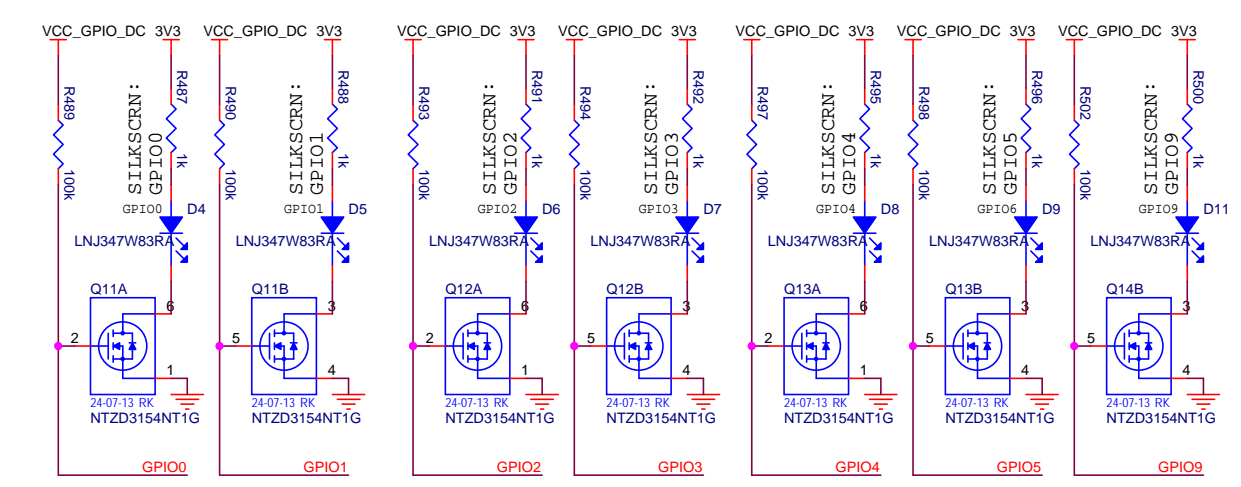
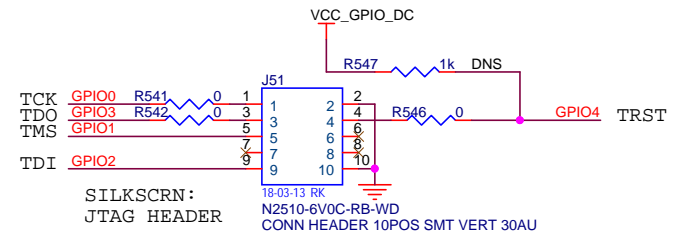
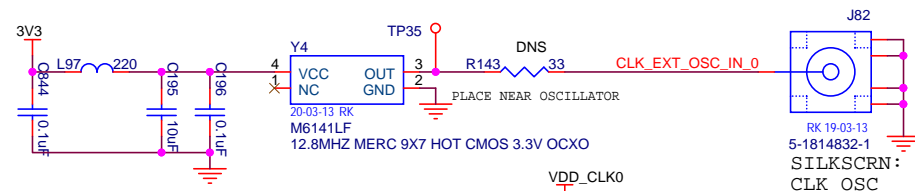
PROJECT NAME	Inavar	Fidus Systems
DESIGN	BM	375 Terry Fox Drive, Ottawa, ON K2K 0J8
TITLE	IDT PLL Chip Carrier	
SUBTITLE	PWR SUPPLIES 1	
DRAWN	BM	DRAWING NUMBER
CHECK	CL	SK-10397-01
RELEASE DATE	5 December 2017	REVISION
		0.2
SHEET	2 OF	6



PROJECT NAME	Fidus Systems	
Inavar	375 Terry Fox Drive, Ottawa, ON K2K 0J8	
DESIGN	TITLE	
BM	IDT PLL Chip Carrier	
DRAWN	SUBTITLE	
BM	PWR SUPPLIES 2	
CHECK	DRAWING NUMBER	REVISION
CL	SK-10397-01	0.2
	RELEASE DATE	SHEET
	5 December 2017	3 OF 6

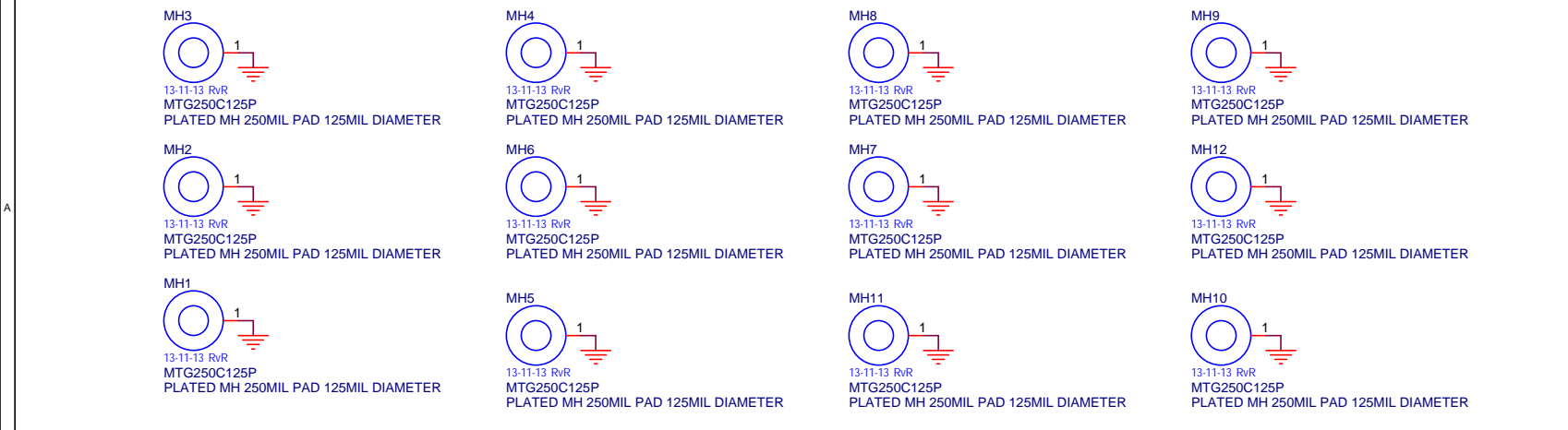
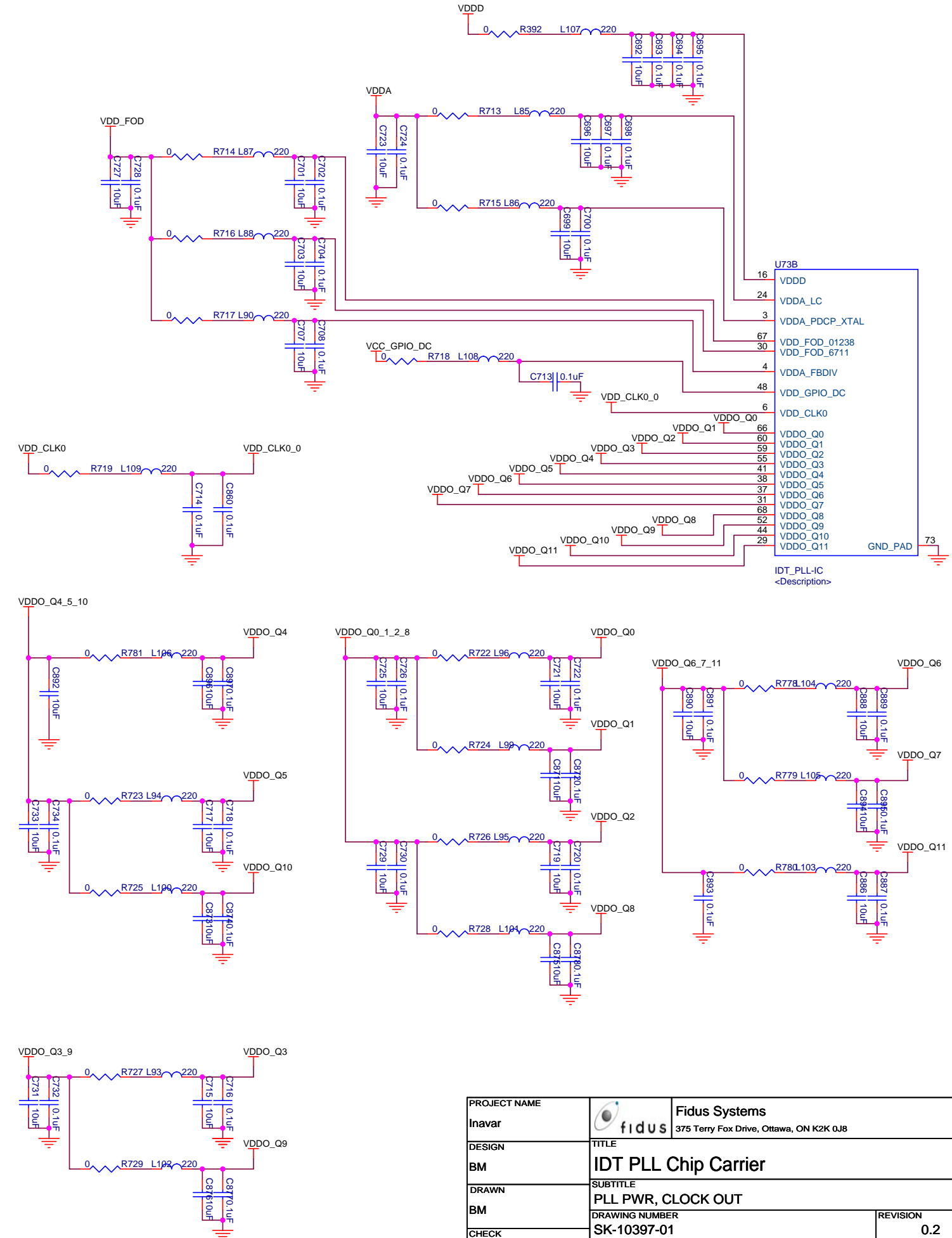
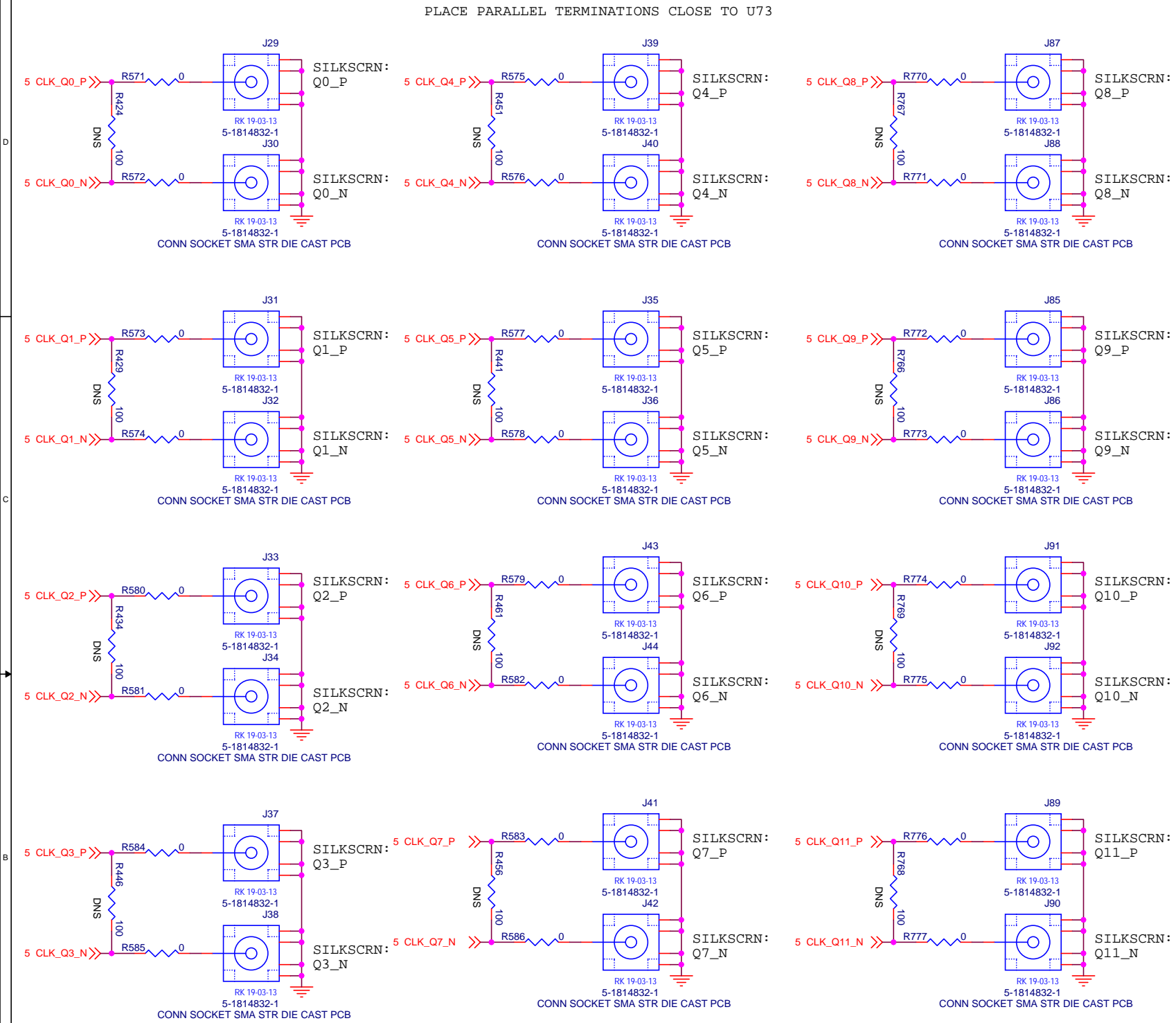


PROJECT NAME	Inavar		Fidus Systems 375 Terry Fox Drive, Ottawa, ON K2K 0J8	
DESIGN	BM			
TITLE	IDT PLL Chip Carrier			
DRAWN	BM			
SUBTITLE	FTDI USB, RST			
DRAWING NUMBER	SK-10397-01		REVISION	0.2
CHECK	CL		RELEASE DATE	5 December 2017
SHEET	4 OF 6			



PROJECT NAME	Inavar	Fidus Systems
DESIGN	BM	375 Terry Fox Drive, Ottawa, ON K2K 0J8
TITLE	IDT PLL Chip Carrier	
SUBTITLE	PLL CORE, CLK IN	
DRAWN	BM	DRAWING NUMBER
CHECK	CL	SK-10397-01
RELEASE DATE	5 December 2017	REVISION
		0.2
SHEET	5 OF 6	

PLACE PARALLEL TERMINATIONS CLOSE TO U73



PROJECT NAME	Fidus Systems	
Inavar	375 Terry Fox Drive, Ottawa, ON K2K 0J8	
DESIGN	TITLE	
BM	IDT PLL Chip Carrier	
DRAWN	SUBTITLE	
BM	PLL PWR, CLOCK OUT	
CHECK	DRAWING NUMBER	REVISION
CL	SK-10397-01	0.2
	RELEASE DATE	SHEET
	5 December 2017	6 OF 6