

To our customers,

---

## Old Company Name in Catalogs and Other Documents

---

On April 1<sup>st</sup>, 2010, NEC Electronics Corporation merged with Renesas Technology Corporation, and Renesas Electronics Corporation took over all the business of both companies. Therefore, although the old company name remains in this document, it is a valid Renesas Electronics document. We appreciate your understanding.

Renesas Electronics website: <http://www.renesas.com>

April 1<sup>st</sup>, 2010  
Renesas Electronics Corporation

Issued by: Renesas Electronics Corporation (<http://www.renesas.com>)

Send any inquiries to <http://www.renesas.com/inquiry>.

## Notice

1. All information included in this document is current as of the date this document is issued. Such information, however, is subject to change without any prior notice. Before purchasing or using any Renesas Electronics products listed herein, please confirm the latest product information with a Renesas Electronics sales office. Also, please pay regular and careful attention to additional and different information to be disclosed by Renesas Electronics such as that disclosed through our website.
2. Renesas Electronics does not assume any liability for infringement of patents, copyrights, or other intellectual property rights of third parties by or arising from the use of Renesas Electronics products or technical information described in this document. No license, express, implied or otherwise, is granted hereby under any patents, copyrights or other intellectual property rights of Renesas Electronics or others.
3. You should not alter, modify, copy, or otherwise misappropriate any Renesas Electronics product, whether in whole or in part.
4. Descriptions of circuits, software and other related information in this document are provided only to illustrate the operation of semiconductor products and application examples. You are fully responsible for the incorporation of these circuits, software, and information in the design of your equipment. Renesas Electronics assumes no responsibility for any losses incurred by you or third parties arising from the use of these circuits, software, or information.
5. When exporting the products or technology described in this document, you should comply with the applicable export control laws and regulations and follow the procedures required by such laws and regulations. You should not use Renesas Electronics products or the technology described in this document for any purpose relating to military applications or use by the military, including but not limited to the development of weapons of mass destruction. Renesas Electronics products and technology may not be used for or incorporated into any products or systems whose manufacture, use, or sale is prohibited under any applicable domestic or foreign laws or regulations.
6. Renesas Electronics has used reasonable care in preparing the information included in this document, but Renesas Electronics does not warrant that such information is error free. Renesas Electronics assumes no liability whatsoever for any damages incurred by you resulting from errors in or omissions from the information included herein.
7. Renesas Electronics products are classified according to the following three quality grades: "Standard", "High Quality", and "Specific". The recommended applications for each Renesas Electronics product depends on the product's quality grade, as indicated below. You must check the quality grade of each Renesas Electronics product before using it in a particular application. You may not use any Renesas Electronics product for any application categorized as "Specific" without the prior written consent of Renesas Electronics. Further, you may not use any Renesas Electronics product for any application for which it is not intended without the prior written consent of Renesas Electronics. Renesas Electronics shall not be in any way liable for any damages or losses incurred by you or third parties arising from the use of any Renesas Electronics product for an application categorized as "Specific" or for which the product is not intended where you have failed to obtain the prior written consent of Renesas Electronics. The quality grade of each Renesas Electronics product is "Standard" unless otherwise expressly specified in a Renesas Electronics data sheets or data books, etc.

"Standard": Computers; office equipment; communications equipment; test and measurement equipment; audio and visual equipment; home electronic appliances; machine tools; personal electronic equipment; and industrial robots.

"High Quality": Transportation equipment (automobiles, trains, ships, etc.); traffic control systems; anti-disaster systems; anti-crime systems; safety equipment; and medical equipment not specifically designed for life support.

"Specific": Aircraft; aerospace equipment; submersible repeaters; nuclear reactor control systems; medical equipment or systems for life support (e.g. artificial life support devices or systems), surgical implantations, or healthcare intervention (e.g. excision, etc.), and any other applications or purposes that pose a direct threat to human life.

8. You should use the Renesas Electronics products described in this document within the range specified by Renesas Electronics, especially with respect to the maximum rating, operating supply voltage range, movement power voltage range, heat radiation characteristics, installation and other product characteristics. Renesas Electronics shall have no liability for malfunctions or damages arising out of the use of Renesas Electronics products beyond such specified ranges.
9. Although Renesas Electronics endeavors to improve the quality and reliability of its products, semiconductor products have specific characteristics such as the occurrence of failure at a certain rate and malfunctions under certain use conditions. Further, Renesas Electronics products are not subject to radiation resistance design. Please be sure to implement safety measures to guard them against the possibility of physical injury, and injury or damage caused by fire in the event of the failure of a Renesas Electronics product, such as safety design for hardware and software including but not limited to redundancy, fire control and malfunction prevention, appropriate treatment for aging degradation or any other appropriate measures. Because the evaluation of microcomputer software alone is very difficult, please evaluate the safety of the final products or system manufactured by you.
10. Please contact a Renesas Electronics sales office for details as to environmental matters such as the environmental compatibility of each Renesas Electronics product. Please use Renesas Electronics products in compliance with all applicable laws and regulations that regulate the inclusion or use of controlled substances, including without limitation, the EU RoHS Directive. Renesas Electronics assumes no liability for damages or losses occurring as a result of your noncompliance with applicable laws and regulations.
11. This document may not be reproduced or duplicated, in any form, in whole or in part, without prior written consent of Renesas Electronics.
12. Please contact a Renesas Electronics sales office if you have any questions regarding the information contained in this document or Renesas Electronics products, or if you have any other inquiries.

(Note 1) "Renesas Electronics" as used in this document means Renesas Electronics Corporation and also includes its majority-owned subsidiaries.

(Note 2) "Renesas Electronics product(s)" means any product developed or manufactured by or for Renesas Electronics.

# SH-2A, SH-2 E200F Emulator

Additional Document for User's Manual  
Supplementary Information on Using  
the SH7211

Renesas Microcomputer Development  
Environment System

SuperH™ Family / SH7210 Series

E200F for SH7211 Group R0E572110EMU00E



## Notes regarding these materials

1. This document is provided for reference purposes only so that Renesas customers may select the appropriate Renesas products for their use. Renesas neither makes warranties or representations with respect to the accuracy or completeness of the information contained in this document nor grants any license to any intellectual property rights or any other rights of Renesas or any third party with respect to the information in this document.
2. Renesas shall have no liability for damages or infringement of any intellectual property or other rights arising out of the use of any information in this document, including, but not limited to, product data, diagrams, charts, programs, algorithms, and application circuit examples.
3. You should not use the products or the technology described in this document for the purpose of military applications such as the development of weapons of mass destruction or for the purpose of any other military use. When exporting the products or technology described herein, you should follow the applicable export control laws and regulations, and procedures required by such laws and regulations.
4. All information included in this document such as product data, diagrams, charts, programs, algorithms, and application circuit examples, is current as of the date this document is issued. Such information, however, is subject to change without any prior notice. Before purchasing or using any Renesas products listed in this document, please confirm the latest product information with a Renesas sales office. Also, please pay regular and careful attention to additional and different information to be disclosed by Renesas such as that disclosed through our website. (<http://www.renesas.com>)
5. Renesas has used reasonable care in compiling the information included in this document, but Renesas assumes no liability whatsoever for any damages incurred as a result of errors or omissions in the information included in this document.
6. When using or otherwise relying on the information in this document, you should evaluate the information in light of the total system before deciding about the applicability of such information to the intended application. Renesas makes no representations, warranties or guaranties regarding the suitability of its products for any particular application and specifically disclaims any liability arising out of the application and use of the information in this document or Renesas products.
7. With the exception of products specified by Renesas as suitable for automobile applications, Renesas products are not designed, manufactured or tested for applications or otherwise in systems the failure or malfunction of which may cause a direct threat to human life or create a risk of human injury or which require especially high quality and reliability such as safety systems, or equipment or systems for transportation and traffic, healthcare, combustion control, aerospace and aeronautics, nuclear power, or undersea communication transmission. If you are considering the use of our products for such purposes, please contact a Renesas sales office beforehand. Renesas shall have no liability for damages arising out of the uses set forth above.
8. Notwithstanding the preceding paragraph, you should not use Renesas products for the purposes listed below:
  - (1) artificial life support devices or systems
  - (2) surgical implantations
  - (3) healthcare intervention (e.g., excision, administration of medication, etc.)
  - (4) any other purposes that pose a direct threat to human lifeRenesas shall have no liability for damages arising out of the uses set forth in the above and purchasers who elect to use Renesas products in any of the foregoing applications shall indemnify and hold harmless Renesas Technology Corp., its affiliated companies and their officers, directors, and employees against any and all damages arising out of such applications.
9. You should use the products described herein within the range specified by Renesas, especially with respect to the maximum rating, operating supply voltage range, movement power voltage range, heat radiation characteristics, installation and other product characteristics. Renesas shall have no liability for malfunctions or damages arising out of the use of Renesas products beyond such specified ranges.
10. Although Renesas endeavors to improve the quality and reliability of its products, IC products have specific characteristics such as the occurrence of failure at a certain rate and malfunctions under certain use conditions. Please be sure to implement safety measures to guard against the possibility of physical injury, and injury or damage caused by fire in the event of the failure of a Renesas product, such as safety design for hardware and software including but not limited to redundancy, fire control and malfunction prevention, appropriate treatment for aging degradation or any other applicable measures. Among others, since the evaluation of microcomputer software alone is very difficult, please evaluate the safety of the final products or system manufactured by you.
11. In case Renesas products listed in this document are detached from the products to which the Renesas products are attached or affixed, the risk of accident such as swallowing by infants and small children is very high. You should implement safety measures so that Renesas products may not be easily detached from your products. Renesas shall have no liability for damages arising out of such detachment.
12. This document may not be reproduced or duplicated, in any form, in whole or in part, without prior written approval from Renesas.
13. Please contact a Renesas sales office if you have any questions regarding the information contained in this document, Renesas semiconductor products, or if you have any other inquiries.



# Contents

Section 1	System Configuration .....	1
1.1	Components of the Emulator .....	1
1.2	System Configuration .....	4
Section 2	Connecting the Emulator to the User System .....	7
2.1	Connecting the Emulator to the User System .....	7
2.2	Connecting the Emulator to the User System by Using the EV-chip Unit.....	7
2.2.1	Connecting the EV-chip Unit to the Emulator.....	7
2.2.2	Connecting the E200F External Bus Trace Unit to the EV-chip Unit .....	10
2.2.3	Connecting the Probe Head to the EV-chip Unit.....	12
2.2.4	Connecting the E200F Emulation Memory Unit to the EV-chip Unit.....	13
2.2.5	Connecting the E200F External Bus Trace Unit, Emulation Memory Unit, and EV-chip Unit.....	15
2.2.6	Connecting the EV-chip Unit to the User System Interface Board.....	16
2.3	Connecting the Emulator to the User System by Using the H-UDI Port Connector.....	17
2.4	Installing the H-UDI Port Connector on the User System .....	18
2.5	Pin Assignments of the H-UDI Port Connector .....	18
2.6	Recommended Circuit between the H-UDI Port Connector and the MCU .....	20
2.6.1	Recommended Circuit (36-Pin Type).....	20
2.7	Connecting the E200F External Bus Trace Unit with the User System.....	22
2.8	Installing the External Bus Trace Unit Connector .....	22
2.8.1	External Bus Trace Unit Connector Installed on the User System .....	22
2.8.2	Pin Assignments of the User System Connector.....	22
2.8.3	Recommended Foot Pattern.....	23
2.8.4	Restrictions on Component Installation .....	23
2.8.5	Pin Assignments of the External Bus Trace Unit Connector .....	24
2.8.6	Layout of the External Bus Trace Unit Connector.....	32
2.9	Connecting the External Bus Trace Unit to the User System .....	34
2.9.1	Connecting the E200F External Bus Trace Unit to the Emulator Main Unit.....	34
2.9.2	Connecting the E200F External Bus Trace Unit to the User System.....	36
2.9.3	Connecting the E200F Emulation Memory Unit to the Emulator Main Unit .....	37
2.9.4	Connecting the Emulation Memory Unit to the User System.....	39
2.9.5	Connecting the E200F External Bus Trace Unit, Emulation Memory Unit, and User System .....	40
Section 3	Software Specifications when Using the SH7211 .....	43

3.1	Differences between the SH7211 and the Emulator .....	43
3.2	Specific Functions for the Emulator when Using the SH7211 .....	50
3.2.1	Event Condition Functions .....	50
3.2.2	Trace Functions .....	57
3.2.3	Notes on Using the JTAG (H-UDI) Clock (TCK) and AUD Clock (AUDCK) ..	69
3.2.4	Notes on Setting the [Breakpoint] Dialog Box .....	69
3.2.5	Notes on Setting the [Event Condition] Dialog Box and the BREAKCONDITION_ SET Command .....	70
3.2.6	Performance Measurement Function .....	70
Section 4 User System Interface Circuits .....		75
4.1	User System Interface Circuits .....	75
4.2	Delay Time for the User System Interface.....	79



# Section 1 System Configuration





## 1.1 Components of the Emulator

The E200F emulator supports the SH7211. Table 1.1 lists the components of the emulator.

**Table 1.1 Components of the Emulator**







Classification	Component	Appearance	Quantity	Remarks
Hard-ware	Emulator main unit		1	R0E0200F1EMU00: Depth: 185.0 mm, Width: 130.0 mm, Height: 45.0 mm, Mass: 321.0 g
	AC adapter	Product numbers: 0001 to 0113		
			1	Input: 100 to 240 V Output: 12 V 4.0 A Depth: 120.0 mm, Width: 72.0 mm, Height: 27.0 mm, Mass: 400.0 g
AC adapter	Product numbers: 0114 or later			
		1	Input: 100 to 240 V Output: 12 V 3.0 A Depth: 99.0 mm, Width: 62.0 mm, Height: 26.0 mm, Mass: 270.0 g	
AC cable		1	Length: 2000 mm	

**Table 1.1 Components of the Emulator (cont)**

Classification	Component	Appearance	Quantity	Remarks
Hardware (cont)	USB cable		1	Length: 1500 mm, Mass: 50.6 g
	External probe	Product numbers: 0001 to 0113		
			1	Length: 500 mm, Pins 1 to 4: probe input pins, T: trigger output pin, G: GND pin
		Product numbers: 0114 or after		
			1	Length: 500 mm, Pins 1 to 4: probe input pins, T: trigger output pin, G: GND pin
Software	E200F emulator setup program, SH-2A, SH-2 E200F Emulator User's Manual, and Supplementary Information on Using the SH7211*		1	R0E0200F1EMU00S,  R0E0200F1EMU00J, R0E0200F1EMU00E,  R0E572110EMU00J, and R0E572110EMU00E (provided on a CD-R)

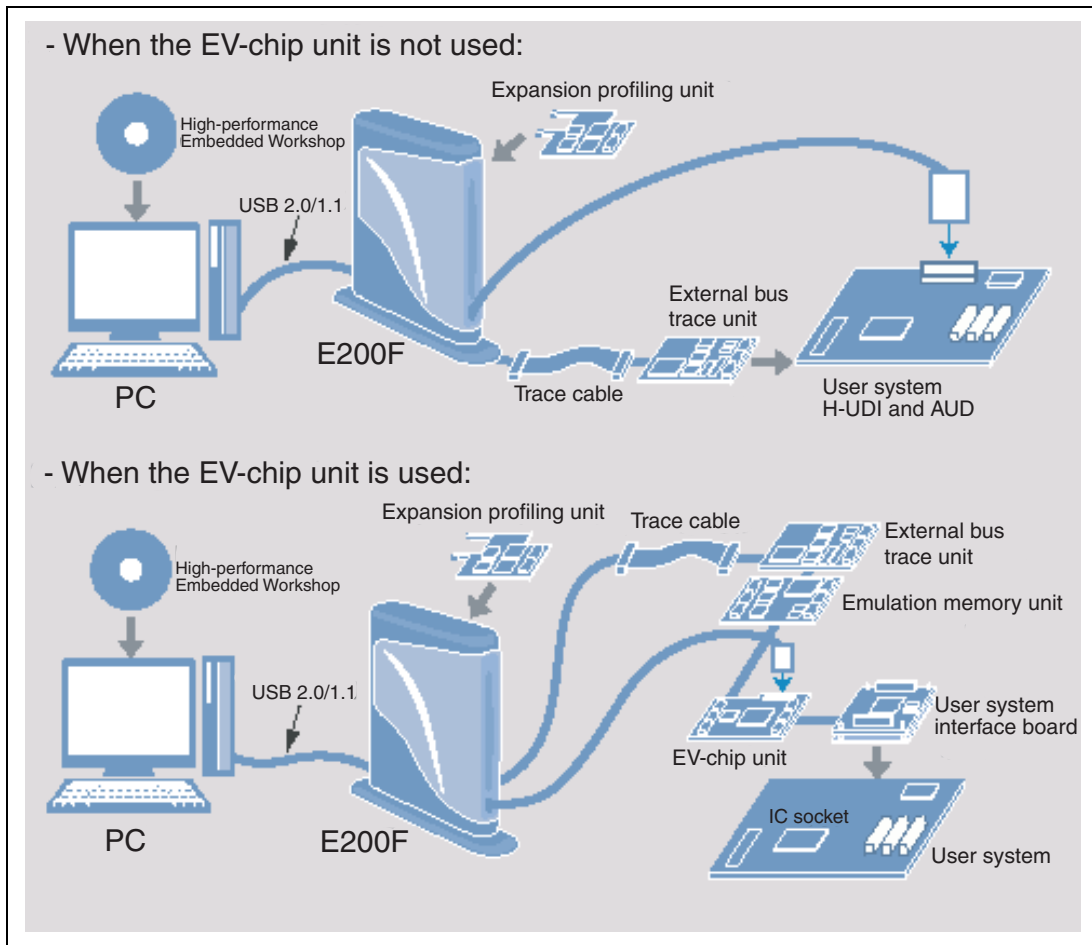
Note: Additional document for the MCUs supported by the emulator is included. Check the target MCU and refer to its additional document.

**Table 1.2 Optional Components of the Emulator**

Classification	Component	Appearance	Quantity	Remarks
Hardware	External bus trace unit		1	R0E0200F1ETU00: Depth: 90.0 mm, Width: 125.0 mm, Height: 15.2 mm, Mass: 100 g
	Emulation memory unit (Memory capacity: 8 Mbytes or 16 Mbytes)		1	R0E0200F1MSR00 (8 Mbytes), R0E0200F1MSR01 (16 Mbytes): Depth: 90.0 mm, Width: 125.0 mm, Height: 15.2 mm, Mass: 81 g (R0E0200F1MSR00), 85 g (R0E0200F1MSR01) Note that it is not possible to connect these emulation memory units at the same time.
	EV-chip unit		1	R0E572110VKK00: Depth: 110.0 mm, Width: 125.0 mm, Height: 15.2 mm, Mass: 110 g
	Trace cable		1	R0E0200F0ACC00: Length: 300 mm, Mass: 65 g
	User system interface board		1	R0E572110CFK00: Depth: 60.0 mm, Width: 90.0 mm, Height: 26.0 mm, Mass: 45 g
	Expansion profiling unit		1	R0E0200F0EPU00: Depth: 98.0 mm, Width: 115.0 mm, Height: 15.2 mm, Mass: 52 g

## 1.2 System Configuration

Figure 1.1 shows an example of the emulator system configuration.



**Figure 1.1 System Configuration Using the Emulator**

(1) System Configuration of the SH7211

Table 1.3 shows the system configuration supported by the SH7211.

**Table 1.3 System Configuration Supported by the SH7211 E200F**

	<b>E200F Emulator</b>	<b>EV-chip Unit</b>	<b>External Bus Trace Unit</b>	<b>Emulation Memory Unit</b>	<b>Expansion Profiling Unit</b>	<b>Trace Cable</b>	<b>User System Interface Board</b>
	<b>R0E0200F1MSR00</b>						
	<b>R0E0200F1EMU00</b>	<b>R0E572110VKK00</b>	<b>R0E0200F1ETU00</b>	<b>R0E0200F1MSR01</b>	<b>R0E0200F0EPU00</b>	<b>R0E0200F0ACC00</b>	<b>R0E572110CFK00</b>
System configuration 1 <sup>1</sup>	Supported	Not supported	Not supported	Not supported	Not supported	Not supported	Not supported
System configuration 2 <sup>1</sup>	Supported	Not supported	Supported	Not supported	Not supported	Supported	Not supported
System configuration 3 <sup>1</sup>	Supported	Not supported	Supported	Supported	Not supported	Supported	Not supported
System configuration 4 <sup>1</sup>	Supported	Not supported	Not supported	Supported	Not supported	Supported	Not supported
System configuration 5	Supported	Supported	Not supported	Not supported	Not supported	Supported	Supported <sup>2</sup>
System configuration 6	Supported	Supported	Not supported	Supported	Not supported	Supported	Supported <sup>2</sup>
System configuration 7	Supported	Supported	Supported	Not supported	Not supported	Supported	Supported <sup>2</sup>
System configuration 8	Supported	Supported	Supported	Supported	Not supported	Supported	Supported <sup>2</sup>
System configuration 9 <sup>1</sup>	Supported	Not supported	Not supported	Not supported	Supported	Not supported	Not supported
System configuration 10 <sup>1</sup>	Supported	Not supported	Supported	Not supported	Supported	Supported	Not supported

**Table 1.3 System Configuration Supported by the SH7211 E200F (cont)**

	<b>E200F Emulator</b>	<b>EV-chip Unit</b>	<b>External Bus Trace Unit</b>	<b>Emulation Memory Unit</b>	<b>Expansion Profiling Unit</b>	<b>Trace Cable</b>	<b>User System Interface Board</b>
				<b>R0E0200F1MSR00</b>			
	<b>R0E0200F1EMU00</b>	<b>R0E572110VKK00</b>	<b>R0E0200F1ETU00</b>	<b>R0E0200F1MSR01</b>	<b>R0E0200F0EPU00</b>	<b>R0E0200F0ACC00</b>	<b>R0E572110CFK00</b>
System configuration 11 <sup>1</sup>	Supported	Not supported	Supported	Supported	Supported	Supported	Not supported
System configuration 12 <sup>1</sup>	Supported	Not supported	Not supported	Supported	Supported	Supported	Not supported
System configuration 13	Supported	Supported	Not supported	Not supported	Supported	Supported	Supported <sup>2</sup>
System configuration 14	Supported	Supported	Not supported	Supported	Supported	Supported	Supported <sup>2</sup>
System configuration 15	Supported	Supported	Supported	Not supported	Supported	Supported	Supported <sup>2</sup>
System configuration 16	Supported	Supported	Supported	Supported	Supported	Supported	Supported <sup>2</sup>

- Notes: 1. When the EV-chip unit is not used, the H-UDI port connector must be installed on the user system. When designing the user system, refer to section 2.3, Connecting the Emulator to the User System by Using the H-UDI Port Connector. For this system configuration, note that the H-UDI and AUD pins of the MCU are occupied by the emulator.
2. The user system interface board is only used when the emulator is connected to the user system; it is not required when the emulator system operates alone.

## Section 2 Connecting the Emulator to the User System

### 2.1 Connecting the Emulator to the User System

When the emulator is connected to the user system, use the optional EV-chip unit, user system interface board, and trace cable.

### 2.2 Connecting the Emulator to the User System by Using the EV-chip Unit

The following describes how to connect the emulator to the EV-chip unit, external bus trace unit, emulation memory unit, trace cable, and user system interface board.

#### 2.2.1 Connecting the EV-chip Unit to the Emulator

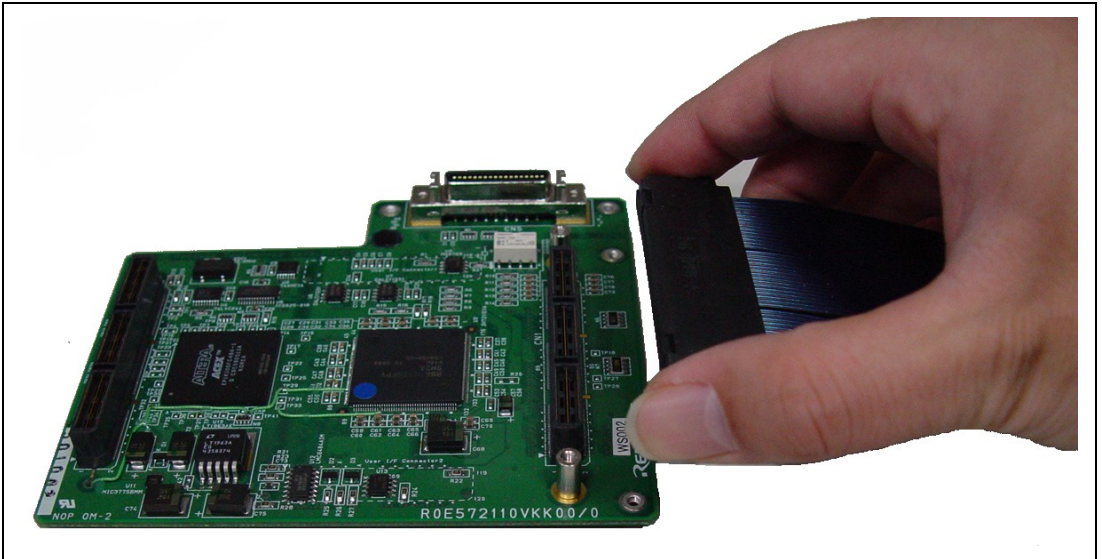
- Open the cover of TRACE I/F on the side of the main unit case.
- Connect the trace cable to the EV-chip unit as shown in figure 2.1.



**Figure 2.1 Connecting the Trace Cable to E200F when Using the EV-chip Unit**



- Connect the EV-chip unit to the trace cable (CN1 side).



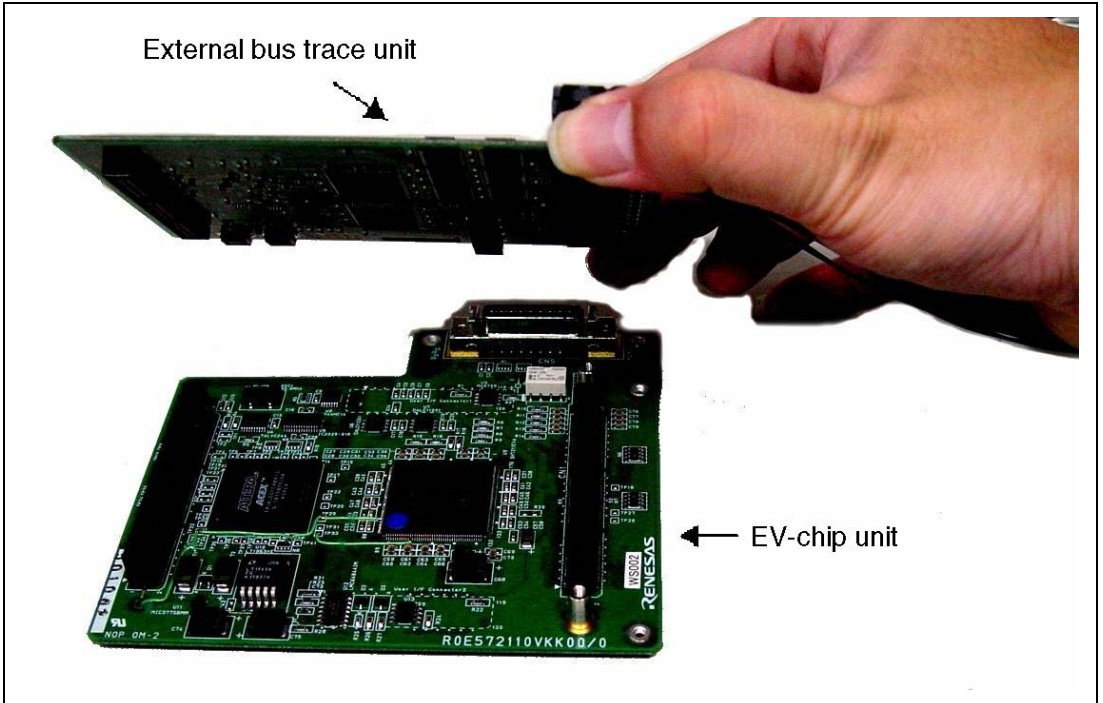
**Figure 2.2 Connecting the Trace Cable to the EV-chip Unit**

**⚠ CAUTION**

**Check the location of pin 1 before connecting.**

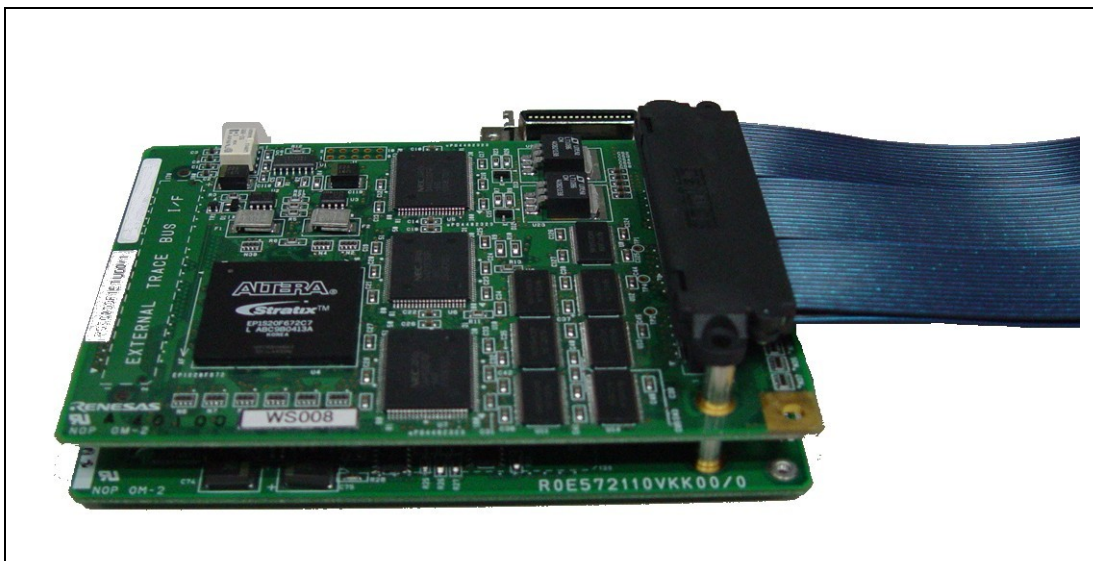
## 2.2.2 Connecting the E200F External Bus Trace Unit to the EV-chip Unit

- When the external bus trace unit is used with the EV-chip unit, connect the external bus trace unit to the EV-chip unit as shown in figure 2.3.



**Figure 2.3 Connecting the External Bus Trace Unit to the EV-chip Unit**

- After checking the location of pin 1, connect the EV-chip unit, external bus trace unit, and trace cable.



**Figure 2.4 Connecting the EV-chip Unit, External Bus Trace Unit, and Trace Cable**

**⚠ CAUTION**

**Check the location of pin 1 before connecting.**

### 2.2.3 Connecting the Probe Head to the EV-chip Unit

- Connect the probe head to the EV-chip unit as shown in figure 2.5.



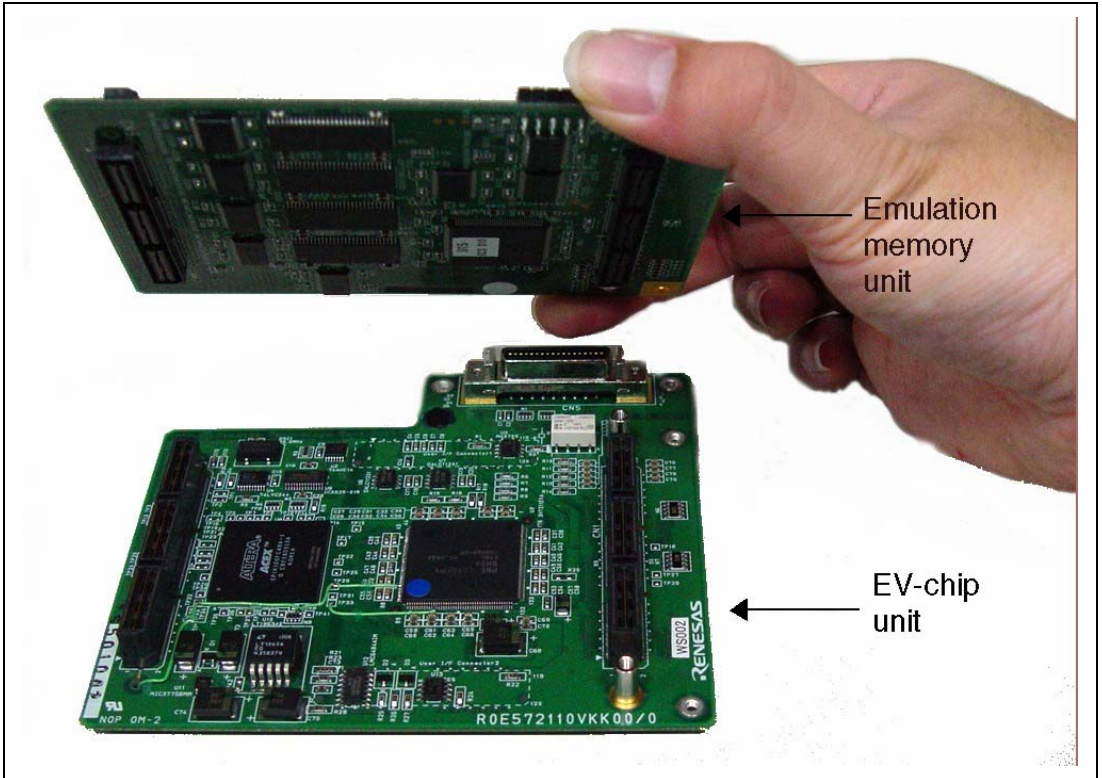
Figure 2.5 Connecting the Probe Head to the EV-chip Unit

**⚠ CAUTION**

**Check the location of pin 1 before connecting.**

## 2.2.4 Connecting the E200F Emulation Memory Unit to the EV-chip Unit

- When the emulation memory unit is used with the EV-chip unit, connect the emulation memory unit to the EV-chip unit (figure 2.6).



**Figure 2.6 Connecting the Emulation Memory Unit to the EV-chip Unit**

- After checking the location of pin 1, connect the EV-chip unit, emulation memory unit, and trace cable.

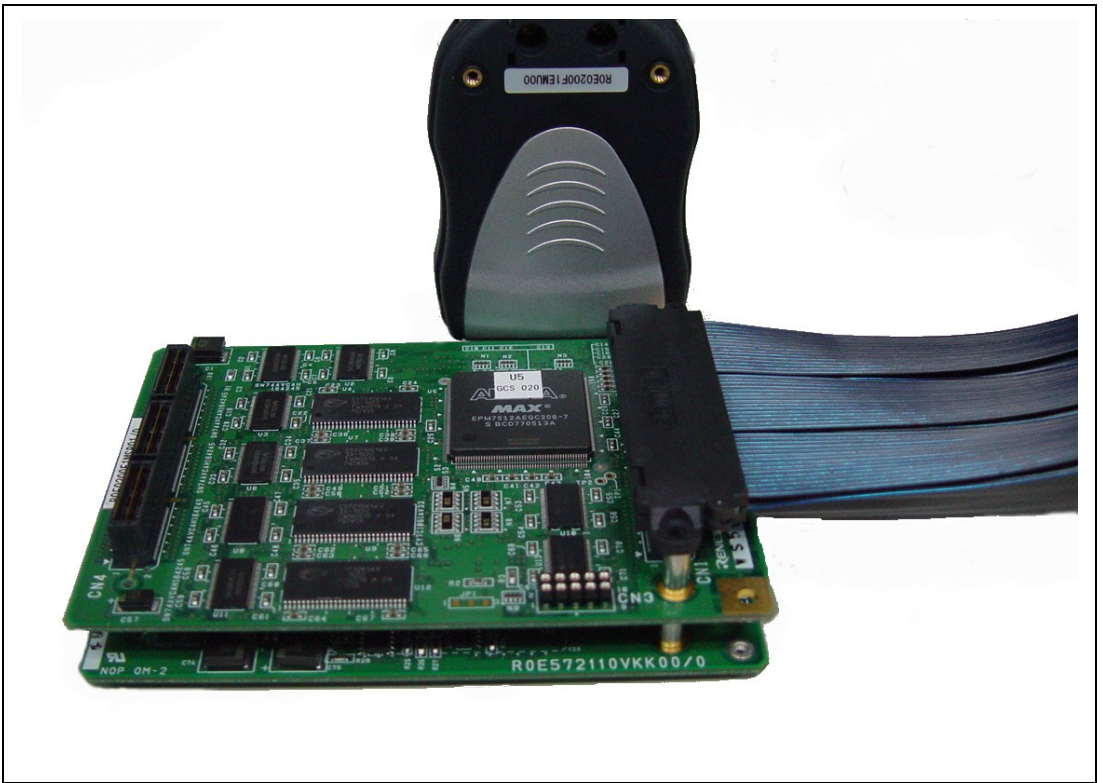


Figure 2.7 Connecting the Emulation Memory Unit, EV-chip Unit, and Trace Cable

## **⚠ CAUTION**

**Check the location of pin 1 before connecting.**

## 2.2.5 Connecting the E200F External Bus Trace Unit, Emulation Memory Unit, and EV-chip Unit

- When the external bus trace unit is used with the emulation memory unit and EV-chip unit, as shown in figure 2.8, connect them in the positions of (a), (b), and (c) for the external bus trace unit, emulation memory unit, and EV-chip unit, respectively.
- After checking the location of pin 1, connect the external bus trace unit, emulation memory unit, and EV-chip unit.

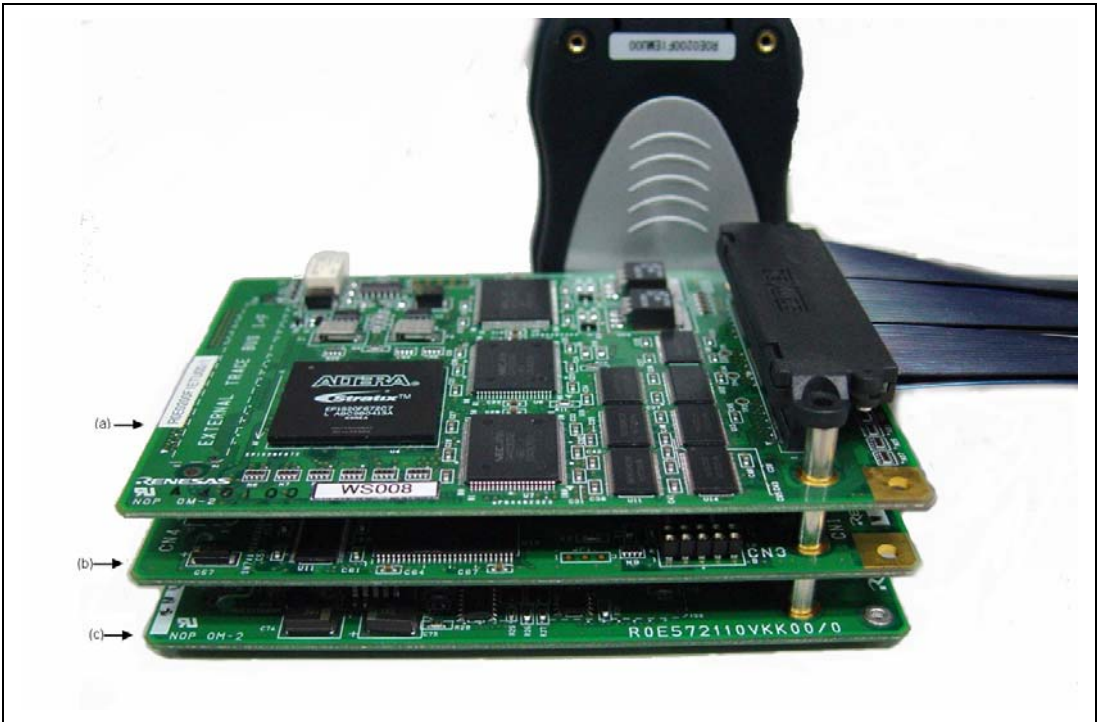


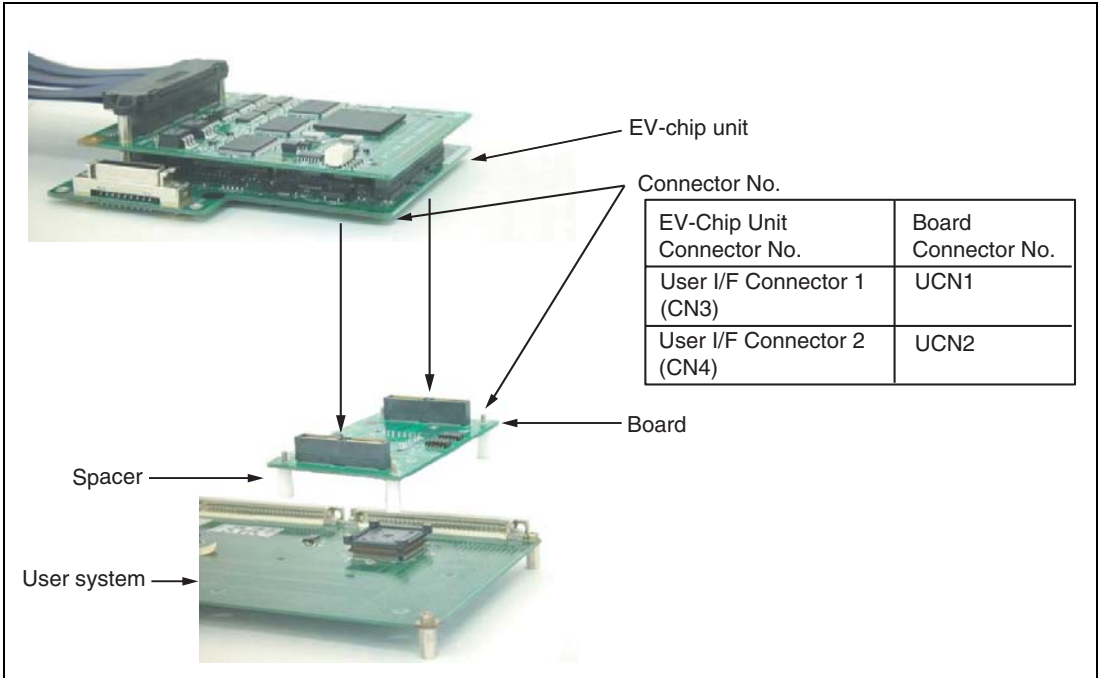
Figure 2.8 Connecting the External Bus Trace Unit, Emulation Memory Unit, and EV-chip Unit

### **⚠ CAUTION**

**Check the location of pin 1 and the position of each unit before connecting.**

## 2.2.6 Connecting the EV-chip Unit to the User System Interface Board

- After checking the location of pin 1, connect the EV-chip unit to the user system interface board.



**Figure 2.9 Connecting User System Interface Board to EV-Chip Unit**

### **⚠ CAUTION**

**Check the location of pin 1 before connecting.**

- Notes:
1. Connection of the signals differs depending on the MCU used.
  2. For the method to connect the user system interface board to the user system, refer to the user system interface board user's manual for each MCU.



## 2.3 Connecting the Emulator to the User System by Using the H-UDI Port Connector

To connect the E200F emulator (hereinafter referred to as the emulator), the H-UDI port connector must be installed on the user system to connect the user system interface cable. When designing the user system, refer to the recommended circuit between the H-UDI port connector and the MCU.

It is impossible to connect the emulator to the 14-pin type connector that is recommended for the E10A-USB emulator. The 36-pin type connector is the same as that of the E10A-USB emulator. When designing the user system, read the E200F emulator user's manual and hardware manual for the related device.

Table 2.1 shows the type number of the emulator, the corresponding connector type, and the use of AUD function.

**Table 2.1 Type Number, AUD Function, and Connector Type**

Type Number	Connector	AUD Function
R0E200F1EMU00	14-pin connector	Not available
R0E200F1EMU00	36-pin connector	Available

The H-UDI port connector has the 36-pin and 14-pin types as described below. Use the 36-pin connector when using the emulator.

1. 36-pin type (with AUD function)  
The AUD trace function is supported. A large amount of trace information can be acquired in realtime. The window trace function is also supported for acquiring memory access in the specified range (memory access address or memory access data) by tracing.
2. 14-pin type (without AUD function)  
The AUD trace function cannot be used because only the H-UDI function is supported. This connector type is not available for the emulator. Use the E10A-USB emulator.

## 2.4 Installing the H-UDI Port Connector on the User System

Table 2.2 shows the recommended H-UDI port connectors for the emulator.

**Table 2.2 Recommended H-UDI Port Connectors**

Connector	Type Number	Manufacturer	Specifications
36-pin connector	DX10M-36S	Hirose Electric Co., Ltd.	Screw type
	DX10M-36SE, DX10G1M-36SE		Lock-pin type

Note: When designing the 36-pin connector layout on the user board, do not connect any components under the H-UDI connector.

## 2.5 Pin Assignments of the H-UDI Port Connector

Figure 2.10 shows the pin assignments of the 36-pin H-UDI port connectors.

Note: Note that the pin number assignments of the H-UDI port connector shown on the following page differ from those of the connector manufacturer.

Pin No.	Signal	Input/Output*1	Note	Pin No.	Signal	Input/Output*1	Note
1	AUDCK	Output		19	TMS	Input	
2	GND	—		20	GND	—	
3	AUDATA0	Output		21	_TRST*2	Input	
4	GND	—		22	(GND)*4	—	
5	AUDATA1	Output		23	TDI	Input	
6	GND	—		24	GND	—	
7	AUDATA2	Output		25	TDO	Output	
8	GND	—		26	GND	—	
9	AUDATA3	Output		27	_ASEBRKAK /_ASEBRK*2	Input/ output	
10	GND	—		28	GND	—	
11	_AUDSYNC*2	Output		29	UVCC	Output	
12	GND	—		30	GND	—	
13	N.C.	—		31	_RES*2	Output	User reset
14	GND	—		32	GND	—	
15	N.C.	—		33	GND*3	Output	
16	GND	—		34	GND	—	
17	TCK	Input		35	N.C.	—	
18	GND	—		36	GND	—	

Notes: 1. Input to or output from the user system.

2. The symbol ( $\_$ ) means that the signal is active-low.

3. The emulator monitors the GND signal of the user system and detects whether or not the user system is connected.

4. When the E200F probe head is connected to this pin and the \_ASEMD pin is set to 0, do not connect to GND but to the \_ASEMD pin directly.

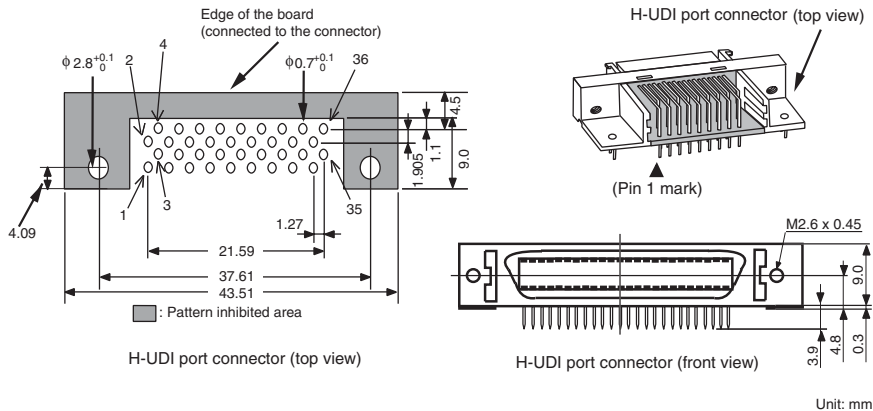


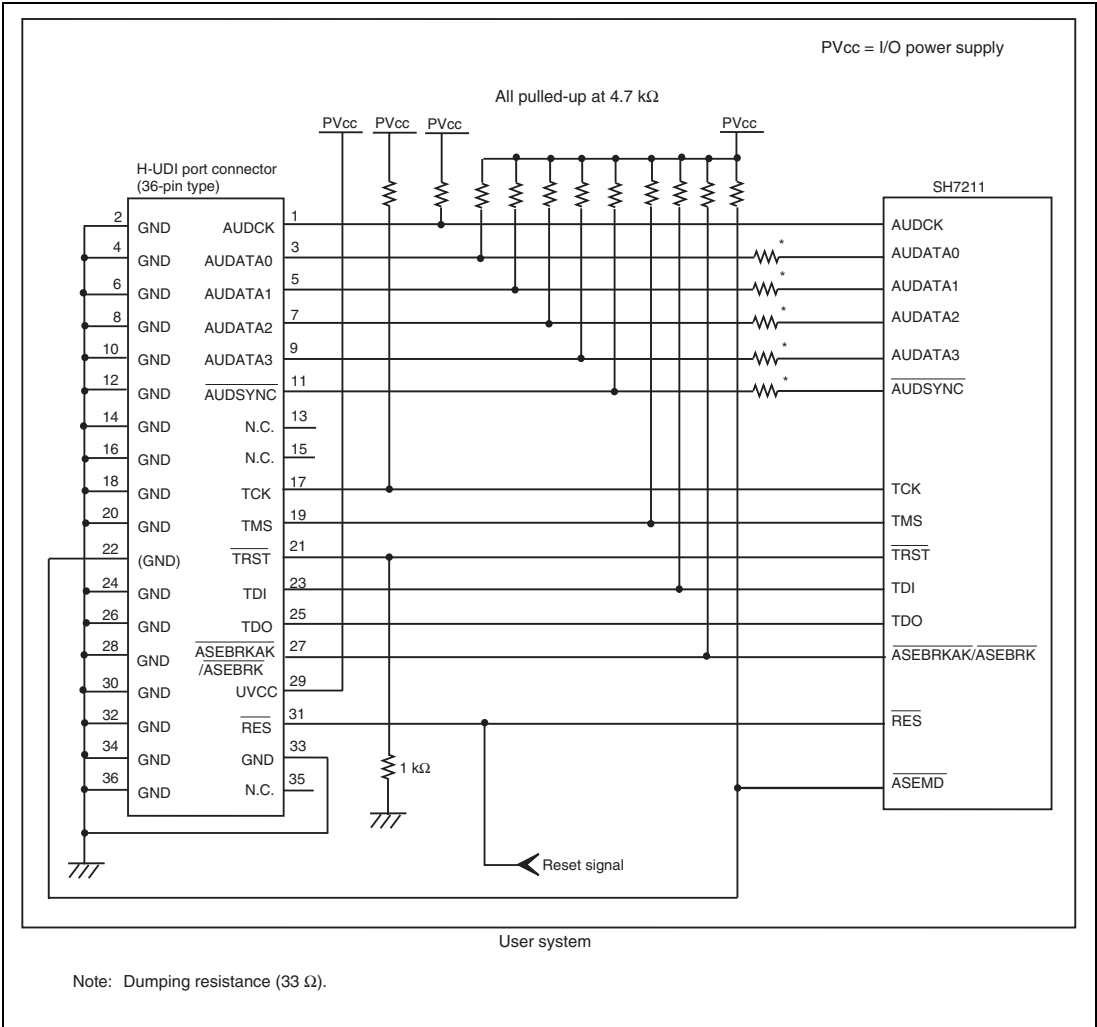
Figure 2.10 Pin Assignments of the H-UDI Port Connector (36 Pins)

## 2.6 Recommended Circuit between the H-UDI Port Connector and the MCU

### 2.6.1 Recommended Circuit (36-Pin Type)

Figure 2.11 shows a recommended circuit for connection between the H-UDI and AUD port connectors (36 pins) and the MCU when the emulator is in use.

- Notes:
1. Do not connect anything to the N.C. pins of the H-UDI port connector.
  2. The `_ASEMD` pin must be 0 when the emulator is connected and 1 when the emulator is not connected, respectively.
    - (1) When the emulator is used: `_ASEMD = 0` (ASE mode)
    - (2) When the emulator is not used: `_ASEMD = 1` (normal mode)Figure 2.11 shows an example of circuits that allow the `_ASEMD` pin to be GND (0) whenever the emulator is connected by using the user system interface cable.
  3. When a network resistance is used for pull-up, it may be affected by a noise. Separate TCK from other resistances.
  4. The pattern between the H-UDI port connector and the MCU must be as short as possible. Do not connect the signal lines to other components on the board.
  5. The AUD signals (AUDCK, AUDATA3 to AUDATA0, and `_AUDSYNC`) operate in high speed. Isometric connection is needed if possible. Do not separate connection nor connect other signal lines adjacently.
  6. Since the H-UDI and the AUD of the MCU operate with the PVcc, supply only the PVcc to the UVCC pin.
  7. The resistance values shown in figure 2.11 are for reference.
  8. For the pin processing in cases where the emulator is not used, refer to the hardware manual of the related MCU.



**Figure 2.11 Recommended Circuit for Connection between the H-UDI Port Connector and MCU when the Emulator is in Use (36-Pin Type)**

## 2.7 Connecting the E200F External Bus Trace Unit with the User System

To use the external bus trace function in the emulator, the emulator and the user system must be connected via the external bus trace unit (R0E0200F1ETU00). Install the connector on the user system for connection of the external bus trace unit, referring to section 2.8, Installing the External Bus Trace Unit Connector, in this manual. When designing the user system, read the SH-2A, SH-2 E200F Emulator User's Manual and hardware manual for the related MCU.

## 2.8 Installing the External Bus Trace Unit Connector

### 2.8.1 External Bus Trace Unit Connector Installed on the User System

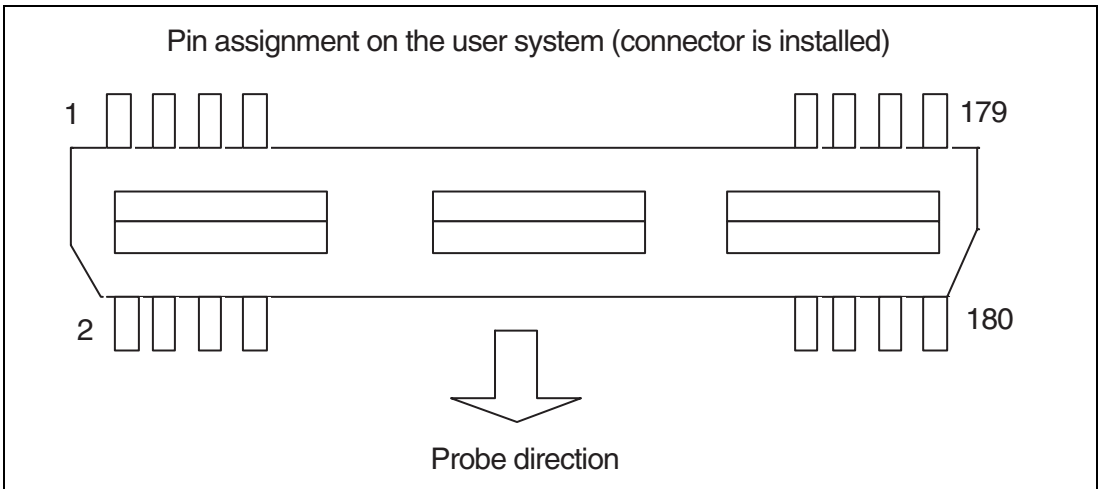
Table 2.3 shows the recommended external bus trace unit connector.

**Table 2.3 Recommended Connector**

Type Number	Manufacturer	Specification
QTH-090-04-L-D-A	Samtec, Inc.	QTH series, 0.5-mm pitch, 180 pins

Note: Do not place any components within 6 mm of the external bus trace unit connector.

### 2.8.2 Pin Assignments of the User System Connector



**Figure 2.12 Pin Assignments of the User System Connector**



## 2.8.5 Pin Assignments of the External Bus Trace Unit Connector

Table 2.4 shows the pin assignments of the external bus trace unit connector.

**Table 2.4 Pin Assignments of the External Bus Trace Unit Connector**

Pin No.	I/O (CONT)	E200F	SH7211	Voltage	Meaning of Signal	Note
		Trace I/F Connector Pin Name	Signal Name			
1	I	UA-P0	A0	3.3 V	Address bus	Connect the address signal of the MPU.
2	I	UA-P1	A1	3.3 V	Address bus	Same as above.
3	I	UA-P2	A2	3.3 V	Address bus	Same as above.
4	I	UA-P3	A3	3.3 V	Address bus	Same as above.
5	I	UA-P4	A4	3.3 V	Address bus	Same as above.
6	I	UA-P5	A5	3.3 V	Address bus	Same as above.
7	I	UA-P6	A6	3.3 V	Address bus	Same as above.
8	I	UA-P7	A7	3.3 V	Address bus	Same as above.
9	-	GND	GND		GND	
10	-	GND	GND		GND	
11	I	UA-P8	A8	3.3 V	Address bus	Connect the address signal of the MPU.
12	I	UA-P9	A9	3.3 V	Address bus	Same as above.
13	I	UA-P10	A10	3.3 V	Address bus	Same as above.
14	I	UA-P11	A11	3.3 V	Address bus	Same as above.
15	I	UA-P12	A12	3.3 V	Address bus	Same as above.
16	I	UA-P13	A13	3.3 V	Address bus	Same as above.
17	I	UA-P14	A14	3.3 V	Address bus	Same as above.
18	I	UA-P15	A15	3.3 V	Address bus	Same as above.
19	-	GND	GND		GND	
20	-	GND	GND		GND	
21	I	UA-P16	A16	3.3 V	Address bus	Connect the address signal of the MPU.
22	I	UA-P17	A17	3.3 V	Address bus	Same as above.
23	I	UA-P18	A18	3.3 V	Address bus	Same as above.
24	I	UA-P19	A19	3.3 V	Address bus	Same as above.
25	I	UA-P20	A20	3.3 V	Address bus	Same as above.



**Table 2.4 Pin Assignments of the External Bus Trace Unit Connector (cont)**

Pin No.	I/O (CONT)	E200F	SH7211	Voltage	Meaning of Signal	Note
		Trace I/F Connector Pin Name	Signal Name			
26	I	UA-P21	A21	3.3 V	Address bus	Same as above.
27	I	UA-P22	A22	3.3 V	Address bus	Same as above.
28	I	UA-P23	A23	3.3 V	Address bus	Same as above.
29	-	GND	GND		GND	
30	-	GND	GND		GND	
31	I	UA-P24	A24	3.3 V	Address bus	Connect the address signal of the MPU.
32	I	UA-P25	A25	3.3 V	Address bus	Same as above.
33	I	UA-P26	A26	3.3 V	Address bus	Same as above.
34	I	UA-P27	A27	3.3 V	Address bus	Same as above.
35	I	UA-P28	A28	3.3 V	Address bus	Same as above.
36	I	UA-P29	A29	3.3 V	Address bus	Same as above.
37	I	UA-P30	GND	3.3 V	GND	Input low level or connect GND.
38	I	UA-P31	GND	3.3 V	GND	Input low level or connect GND.
39	-	GND	GND		GND	
40	-	GND	GND		GND	
41	IO	UD-P0	D0	3.3 V	Data bus	Connect the data signal of the MPU.
42	IO	UD-P1	D1	3.3 V	Data bus	Same as above.
43	IO	UD-P2	D2	3.3 V	Data bus	Same as above.
44	IO	UD-P3	D3	3.3 V	Data bus	Same as above.
45	IO	UD-P4	D4	3.3 V	Data bus	Same as above.
46	IO	UD-P5	D5	3.3 V	Data bus	Same as above.
47	IO	UD-P6	D6	3.3 V	Data bus	Same as above.
48	IO	UD-P7	D7	3.3 V	Data bus	Same as above.
49	-	GND	GND		GND	
50	-	GND	GND		GND	
51	IO	UD-P8	D8	3.3 V	Data bus	Connect the data signal of the MPU.
52	IO	UD-P9	D9	3.3 V	Data bus	Same as above.
53	IO	UD-P10	D10	3.3 V	Data bus	Same as above.

**Table 2.4 Pin Assignments of the External Bus Trace Unit Connector (cont)**

Pin No.	I/O (CONT)	E200F	SH7211	Voltage	Meaning of Signal	Note
		Trace I/F Connector Pin Name	Signal Name			
54	IO	UD-P11	D11	3.3 V	Data bus	Same as above.
55	IO	UD-P12	D12	3.3 V	Data bus	Same as above.
56	IO	UD-P13	D13	3.3 V	Data bus	Same as above.
57	IO	UD-P14	D14	3.3 V	Data bus	Same as above.
58	IO	UD-P15	D15	3.3 V	Data bus	Same as above.
59	-	GND	GND		GND	
60	-	GND	GND		GND	
61	IO	UD-P16	D16	3.3 V	Data bus	Connect the data signal of the MPU.
62	IO	UD-P17	D17	3.3 V	Data bus	Same as above.
63	IO	UD-P18	D18	3.3 V	Data bus	Same as above.
64	IO	UD-P19	D19	3.3 V	Data bus	Same as above.
65	IO	UD-P20	D20	3.3 V	Data bus	Same as above.
66	IO	UD-P21	D21	3.3 V	Data bus	Same as above.
67	IO	UD-P22	D22	3.3 V	Data bus	Same as above.
68	IO	UD-P23	D23	3.3 V	Data bus	Same as above.
69	-	GND	GND		GND	
70	-	GND	GND		GND	
71	IO	UD-P24	D24	3.3 V	Data bus	Connect the data signal of the MPU.
72	IO	UD-P25	D25	3.3 V	Data bus	Same as above.
73	IO	UD-P26	D26	3.3 V	Data bus	Same as above.
74	IO	UD-P27	D27	3.3 V	Data bus	Same as above.
75	IO	UD-P28	D28	3.3 V	Data bus	Same as above.
76	IO	UD-P29	D29	3.3 V	Data bus	Same as above.
77	IO	UD-P30	D30	3.3 V	Data bus	Same as above.
78	IO	UD-P31	D31	3.3 V	Data bus	Same as above.
79	-	GND	GND		GND	
80	-	GND	GND		GND	
81	IO	UD-P32	_RASL	3.3 V	SDRAM _RASL signal	Connect the _RASL signal of the MPU (fix _RASL to high level when it is not used).

**Table 2.4 Pin Assignments of the External Bus Trace Unit Connector (cont)**

Pin No.	I/O (CONT)	E200F	SH7211	Voltage	Meaning of Signal	Note
		Trace I/F Connector	Signal			
		Pin Name	Name			
82	IO	UD-P33	_RASU	3.3 V	SDRAM _RASU signal	Connect the _RASU signal of the MPU (fix _RASU to high level when it is not used).
83	IO	UD-P34	_CASL	3.3 V	SDRAM _CASL signal	Connect the _CASL signal of the MPU (fix _CASL to high level when it is not used).
84	IO	UD-P35	_CASU	3.3 V	SDRAM _CASU signal	Connect the _CASU signal of the MPU (fix _CASU to high level when it is not used).
85	IO	UD-P36	N.C		-	
86	IO	UD-P37	N.C		-	
87	IO	UD-P38	N.C		-	
88	IO	UD-P39	_DQMUU	3.3 V	Most-upper-byte signal of SDRAM (D31-D24)	Connect the _DQMUU signal of the MPU (fix _DQMUU to high level when it is not used).
89	-	GND	GND		GND	
90	-	GND	GND		GND	
91	IO	UD-P40	RD_WR	3.3 V	Read/write signal	Connect the RD_WR signal of the MPU (necessary).
92	IO	UD-P41	N.C		-	
93	IO	UD-P42	N.C		-	
94	IO	UD-P43	N.C		-	
95	IO	UD-P44	N.C		-	
96	IO	UD-P45	N.C		-	
97	IO	UD-P46	N.C		-	
98	IO	UD-P47	N.C		-	
99	-	GND	GND		GND	
100	-	GND	GND		GND	
101	IO	UD-P48	IRQ0	3.3 V	Interrupt	Connect the IRQ0 signal of the MPU (fix IRQ0 to high level when it is not used).
102	IO	UD-P49	IRQ1	3.3 V	Interrupt	Connect the IRQ1 signal of the MPU (fix IRQ1 to high level when it is not used).
103	IO	UD-P50	IRQ2	3.3 V	Interrupt	Connect the IRQ2 signal of the MPU (fix IRQ2 to high level when it is not used).

**Table 2.4 Pin Assignments of the External Bus Trace Unit Connector (cont)**

Pin No.	I/O (CONT)	E200F	SH7211	Voltage	Meaning of Signal	Note
		Trace I/F Connector Pin Name	Signal Name			
104	IO	UD-P51	IRQ3	3.3 V	Interrupt	Connect the IRQ3 signal of the MPU (fix IRQ3 to high level when it is not used).
105	IO	UD-P52	IRQ4	3.3 V	Interrupt	Connect the IRQ4 signal of the MPU (fix IRQ4 to high level when it is not used).
106	IO	UD-P53	IRQ5	3.3 V	Interrupt	Connect the IRQ5 signal of the MPU (fix IRQ5 to high level when it is not used).
107	IO	UD-P54	IRQ6	3.3 V	Interrupt	Connect the IRQ6 signal of the MPU (fix IRQ6 to high level when it is not used).
108	IO	UD-P55	IRQ7	3.3 V	Interrupt	Connect the IRQ7 signal of the MPU (fix IRQ7 to high level when it is not used).
109	-	GND	GND		GND	
110	-	GND	GND		GND	
111	IO	UD-P56	N.C		-	
112	IO	UD-P57	N.C		-	
113	IO	UD-P58	N.C		-	
114	IO	UD-P59	N.C		-	
115	IO	UD-P60	N.C		-	
116	IO	UD-P61	N.C		-	
117	IO	UD-P62	N.C		-	
118	IO	UD-P63	N.C		-	
119	-	GND	GND		GND	
120	-	GND	GND		GND	
121	I	UCONT-P0	_WE0/ _DQMLL	3.3 V	Lowest-byte write signal/lowest-byte signals of SDRAM (D7-D0)	Connect the _WE0 signal of the MPU (necessary).
122	I	UCONT-P1	_WE1/_WE/ _DQMLU	3.3 V	Lower-byte write signals/lower-byte signals of SDRAM (D15-D8)	Connect the _WE1 signal of the MPU (necessary).

**Table 2.4 Pin Assignments of the External Bus Trace Unit Connector (cont)**

Pin No.	I/O (CONT)	E200F	SH7211	Voltage	Meaning of Signal	Note
		Trace I/F Connector Pin Name	Signal Name			
123	I	UCONT-P2	_WE2/ _DQMLU	3.3 V	Upper-byte write signals/upper-byte signals of SDRAM (D23-D16)	Connect the _WE2 signal of the MPU (fix _WE2 to high level when it is not used).
124	I	UCONT-P3	_WE3	3.3 V	Most-upper-byte write signals (D31-D24)	Connect the _WE3 signal of the MPU (fix _WE3 to high level when it is not used).
125	I	UCONT-P4	_RD	3.3 V	Read signal	Connect the _RD signal of the MPU (necessary).
126	I	UCONT-P5	_BS	3.3 V	Bus cycle start signal	Connect the _BS signal of the MPU (fix _BS to high level when it is not used).
127	I	UCONT-P6	N.C	-	-	
128	I	UCONT-P7	N.C	-	-	
129	I	UCONT-P8	N.C	-	-	
130	I	UCONT-P9	MD0	3.3 V	Operating mode setting	Connect the MD_0 signal of the MPU (necessary).
131	I	UCONT-P10	MD1	3.3 V	Operating mode setting	Connect the MD_1 signal of the MPU (necessary).
132	I	UCONT-P11	N.C	-	-	
133	I	UCONT-P12	N.C	-	-	
134	I	UCONT-P13	N.C	-	-	
135	I	UCONT-P14	N.C	-	-	
136	I	UCONT-P15	N.C	-	-	
137	I	UCONT-P16	_DACK0	3.3 V	User pin signal	Connect the _DACK0 signal of the MPU (fix _DACK0 to high level when it is not used).
138	I	UCONT-P17	_DACK1	3.3 V	User pin signal	Connect the _DACK1 signal of the MPU (fix _DACK1 to high level when it is not used).
139	I	UCONT-P18	_DACK2	3.3 V	User pin signal	Connect the _DACK2 signal of the MPU (fix _DACK2 to high level when it is not used).
140	I	UCONT-P19	_DACK3	3.3 V	User pin signal	Connect the _DACK3 signal of the MPU (fix _DACK3 to high level when it is not used).
141	I	UCONT-P20	_RES	3.3 V	Power-on reset request	Connect the _RES signal of the MPU (necessary).

**Table 2.4 Pin Assignments of the External Bus Trace Unit Connector (cont)**

Pin No.	I/O (CONT)	E200F	SH7211	Voltage	Meaning of Signal	Note
		Trace I/F Connector Pin Name	Signal Name			
142	I	UCONT-P21	_WAIT	3.3 V	Hardware wait request	Connect the _WAIT signal of the MPU (fix _WAIT to high level when it is not used).
143	I	UCONT-P22	_BREQ	3.3 V	Bus mastership request	Connect the _BREQ signal of the MPU (fix _BREQ to high level when it is not used).
144	I	UCONT-P23	NMI	3.3 V	Non-maskable interrupt request	Connect the NMI signal of the MPU (fix NMI to high level when it is not used).
145	I	UCONT-P24	N.C		-	
146	I	UCONT-P25	N.C		-	
147	I	UCONT-P26	N.C		-	
148	I	UCONT-P27	N.C		-	
149	I	UCONT-P28	N.C		-	
150	I	UCONT-P29	N.C		-	
151	I	UCONT-P30	N.C		-	
152	I	UCONT-P31	N.C		-	
153	-	GND	GND		GND	
154	-	GND	GND		GND	
155	I	MPUCLK	ASEBCK	3.3 V	ASE bus clock	Connect the ASEBCK signal of the MPU (necessary).
156	-	GND	GND		GND	
157	-	GND	GND		GND	
158	I	DDRCLK	N.C		-	
159	-	GND	GND		GND	
160	I	DDRCLK-N	N.C		-	
161	-	GND	GND		GND	
162	-	GND	GND		GND	
163	I	CS0IN-N	_CS0	3.3 V	Chip select signal	Connect _CS (chip select). Fix the unused _CS pin to high level.
164	I	CS1IN-N	_CS1	3.3 V	Chip select signal	Same as above.
165	I	CS2IN-N	_CS2	3.3 V	Chip select signal	Same as above.
166	I	CS3IN-N	_CS3	3.3 V	Chip select signal	Same as above.

**Table 2.4 Pin Assignments of the External Bus Trace Unit Connector (cont)**

Pin No.	I/O (CONT)	E200F	SH7211	Voltage	Meaning of Signal	Note
		Trace I/F Connector	Signal			
		Pin Name	Name			
167	I	CS4IN-N	_CS4	3.3 V	Chip select signal	Same as above.
168	I	CS5IN-N	_CS5	3.3 V	Chip select signal	Same as above.
169	I	CS6IN-N	_CS6	3.3 V	Chip select signal	Same as above.
170	I	CS7IN-N	_CS7	3.3 V	Chip select signal	Same as above.
171	I	CS8IN-N	_CS8	3.3 V	Chip select signal	Same as above.
172	I	CS9IN-N	N.C		-	
173	O	EM0OUT-N	N.C		-	
174	O	EM1OUT-N	N.C		-	
175	O	EM2OUT-N	N.C		-	
176	O	EMEN-P	N.C		-	
177	I	VCCQ	VCCQ	3.3 V	Power supply for user system: 3.3 V	Connect VCCQ.
178	I	VCCQ	VCCQ	3.3 V	Power supply for user system: 3.3 V	Connect VCCQ.
179	I	VCCQ	VCCQ	3.3 V	Power supply for user system: 3.3 V	Connect VCCQ.
180	I	GND	GND		GND	Input low level or connect GND.

Note: Voltage-applying level: H: 2.4V to VCCQ, L: GND to 0.4V.

N.C.: Do not connect anything to this pin. Fix the unused signals of the address or data bus to high or low level.

For multiplexed pins, connect a pin such that the signal name and the signal used by the user are matched.

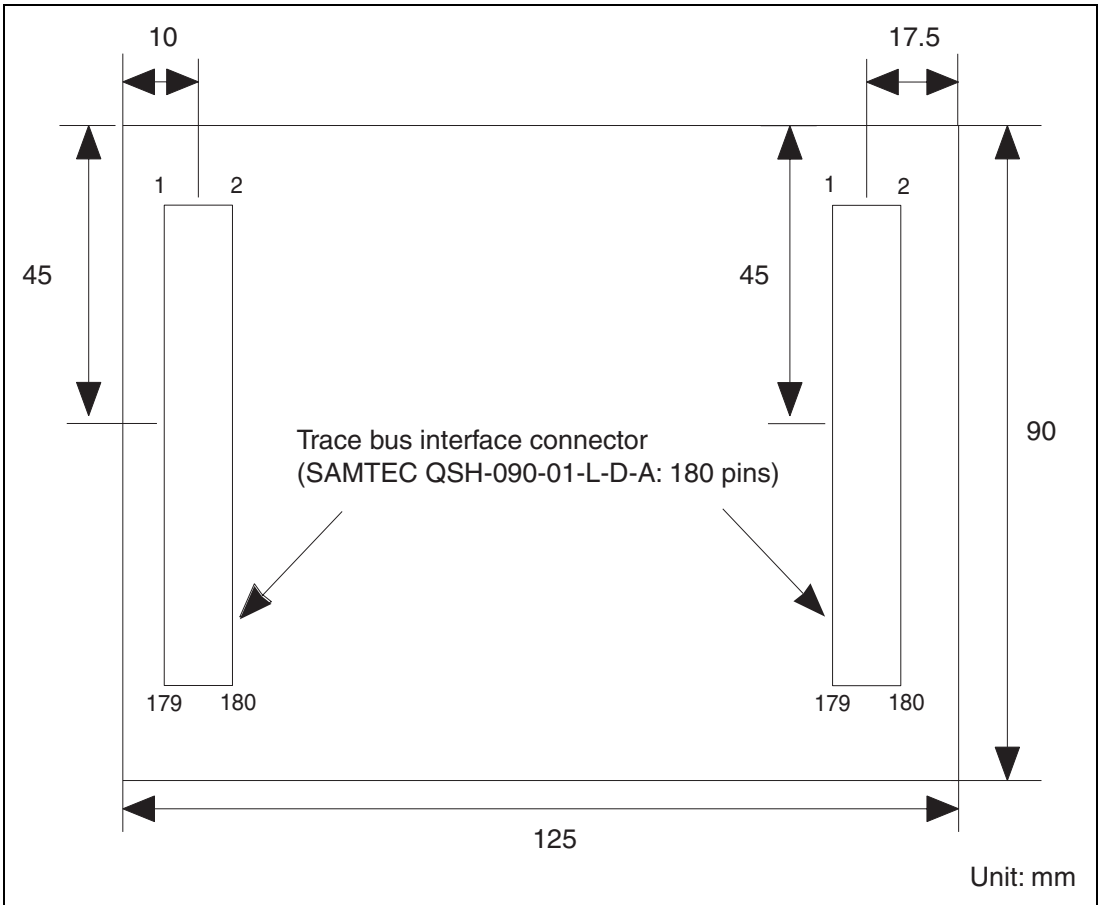
Be sure to connect the signals written as 'necessary', GND, and VCCQ to operate the emulator normally.

If a signal input pin such as an address pin is fixed to high or low (GND) level, the actual CPU access may differ in trace display or condition access.

## 2.8.6 Layout of the External Bus Trace Unit Connector

When designing the user system, there are restrictions on the position to install the external bus trace unit connector. Figure 2.15 shows the external dimensions of the external bus trace unit.

The size of the printed-circuit board of the E200F external bus trace unit is 90 mm × 125 mm. The size of components around the user system connector must not exceed the limit on component installation (the height must be 10 mm or less).



**Figure 2.15 External Dimensions of the External Bus Trace Unit (on which the Connector is Installed)**



- Notes: 1. The external bus trace interface connector installed on the user system must be as close to the MCU as possible.
2. Wiring pattern of clock lines (CKO)  
The followings are notes on wiring of clock lines for the E200F trace interface signals. Take them into consideration when designing the user system to embed suitable clock lines.
- (a) Clock lines must be as short as possible.
  - (b) Clock lines must be surrounded by the GND pattern for protection so that the signals will be of low-impedance.
  - (c) Other layers next to the layer with clock line wiring should have solid patterns of GND/VCC so that the signals will be of low-impedance.
  - (d) To prevent affect by the crosstalk noise, other signal patterns must not be embedded along with the clock lines.

## 2.9 Connecting the External Bus Trace Unit to the User System

This section describes how to connect the external bus trace unit and emulation memory unit to the user system.

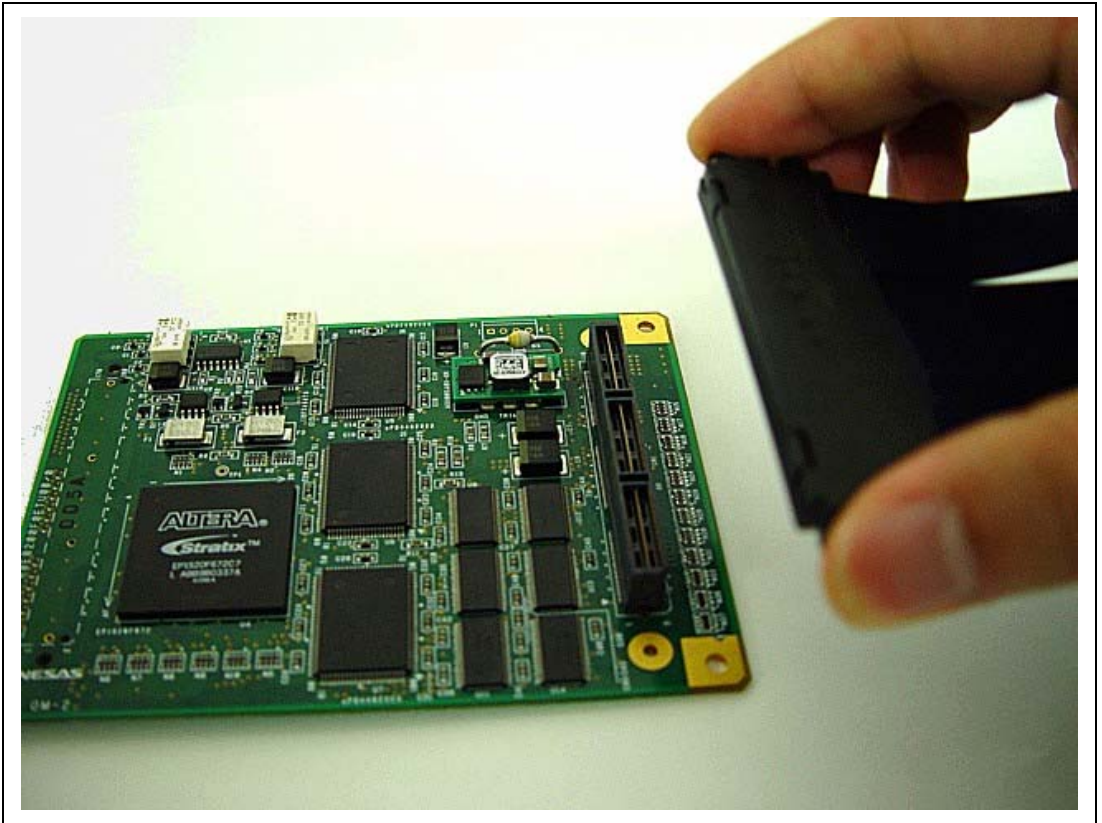
### 2.9.1 Connecting the E200F External Bus Trace Unit to the Emulator Main Unit

- Open the cover of TRACE I/F on the side of the main unit case.
- Connect the trace cable provided for the external bus trace unit to the emulator as shown in figure 2.16.



**Figure 2.16** Connecting the Trace Cable to E200F

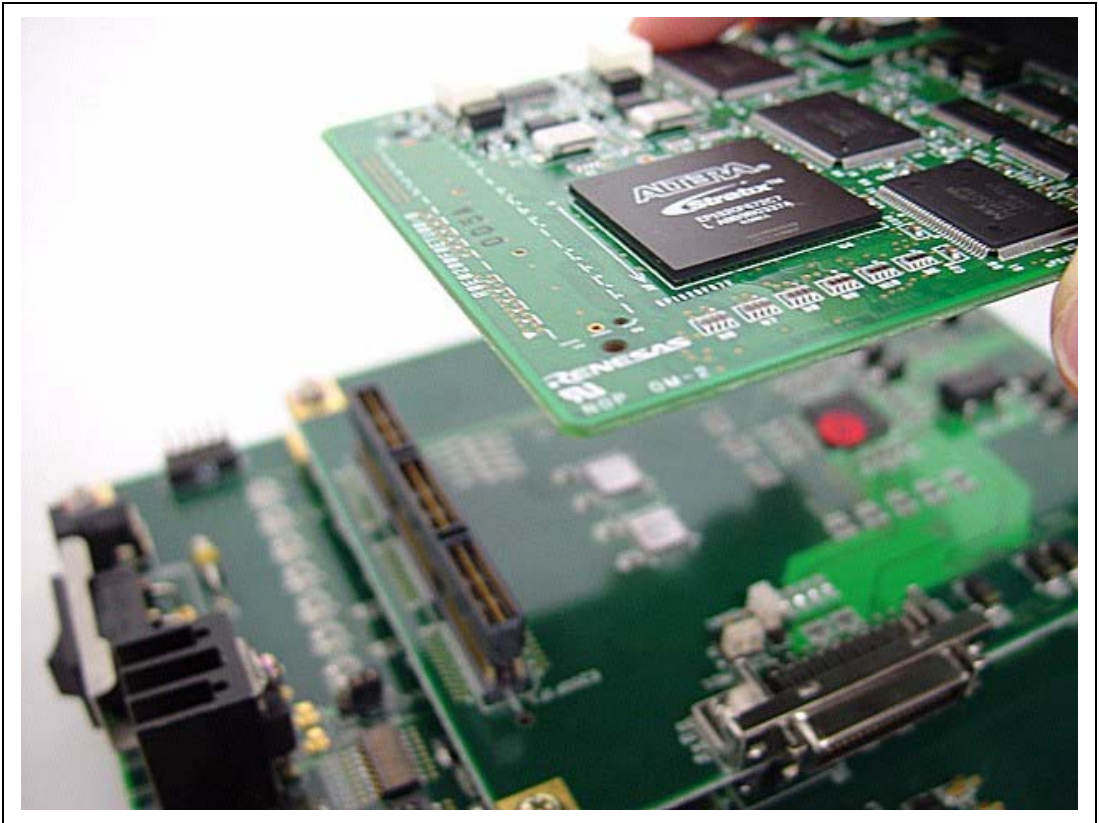
- Connect the external bus trace unit to the trace cable (CN1 side).



**Figure 2.17** Connecting the Trace Cable to the External Bus Trace Unit

## 2.9.2 Connecting the E200F External Bus Trace Unit to the User System

- After checking the location of pin 1, connect the user system to the external bus trace unit.



**Figure 2.18 Connecting the User System to the External Bus Trace Unit**

### **⚠ CAUTION**

**Check the location of pin 1 before connecting.**

Note: Connection of the signals differs depending on the MCU used.

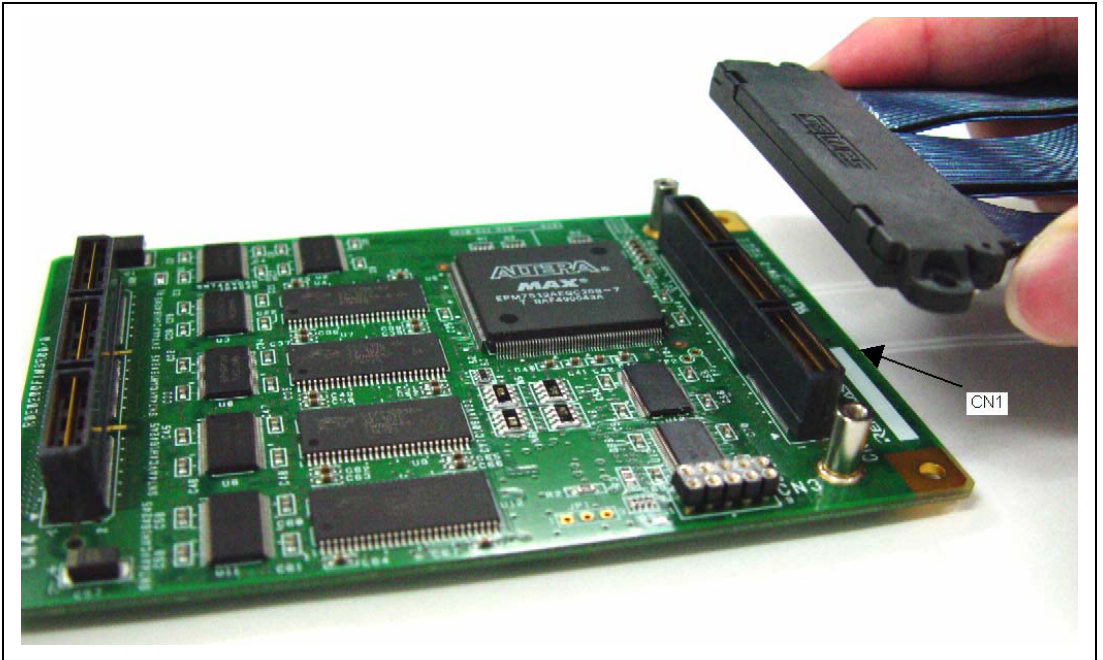
### 2.9.3 Connecting the E200F Emulation Memory Unit to the Emulator Main Unit

- Open the cover of TRACE I/F on the side of the main unit case.
- Connect the trace cable provided for the external bus trace unit to the emulator as shown in figure 2.19.



**Figure 2.19** Connecting the Trace Cable to E200F

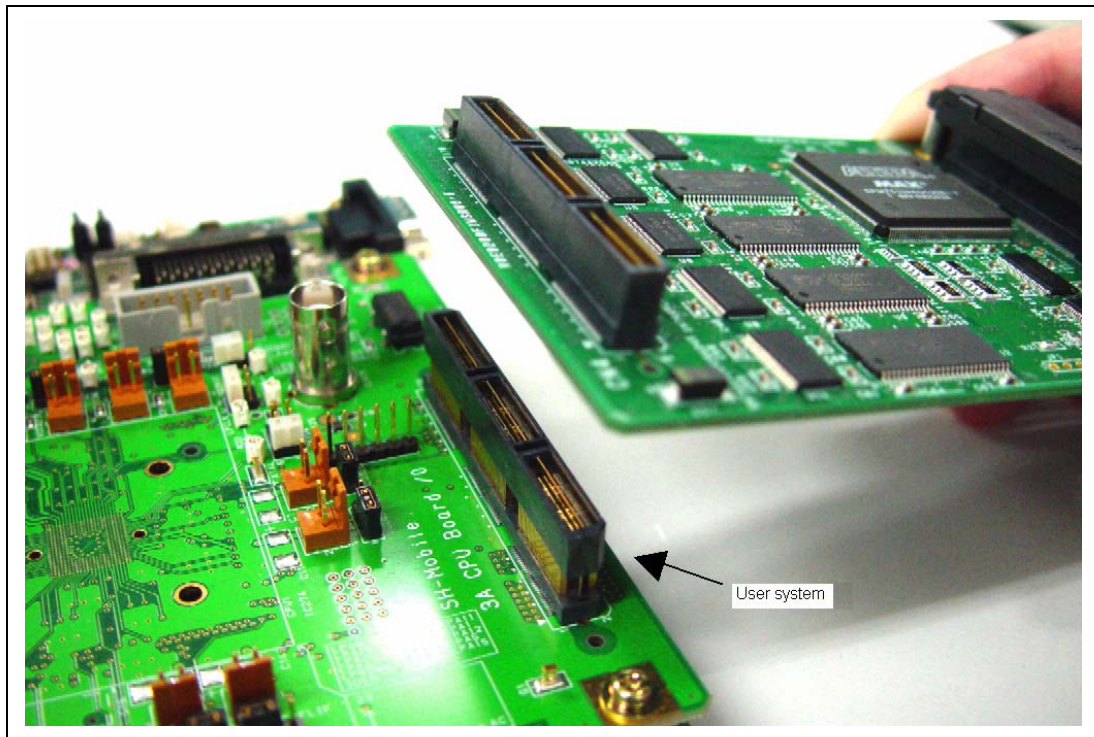
- Connect the emulation memory unit to the trace cable (CN1 side).



**Figure 2.20** Connecting the Trace Cable to the Emulation Memory Unit

## 2.9.4 Connecting the Emulation Memory Unit to the User System

- After checking the location of pin 1, connect the user system to the emulation memory unit.



**Figure 2.21 Connecting the User System to the Emulation Memory Unit**

**⚠ CAUTION**

**Check the location of pin 1 before connecting.**

Note: Connection of the signals differs depending on the MCU used.

## 2.9.5 Connecting the E200F External Bus Trace Unit, Emulation Memory Unit, and User System

- When the external bus trace unit is used with the emulation memory unit, firstly connect the external bus trace unit to the emulation memory unit (figure 2.22) and then to the user system.

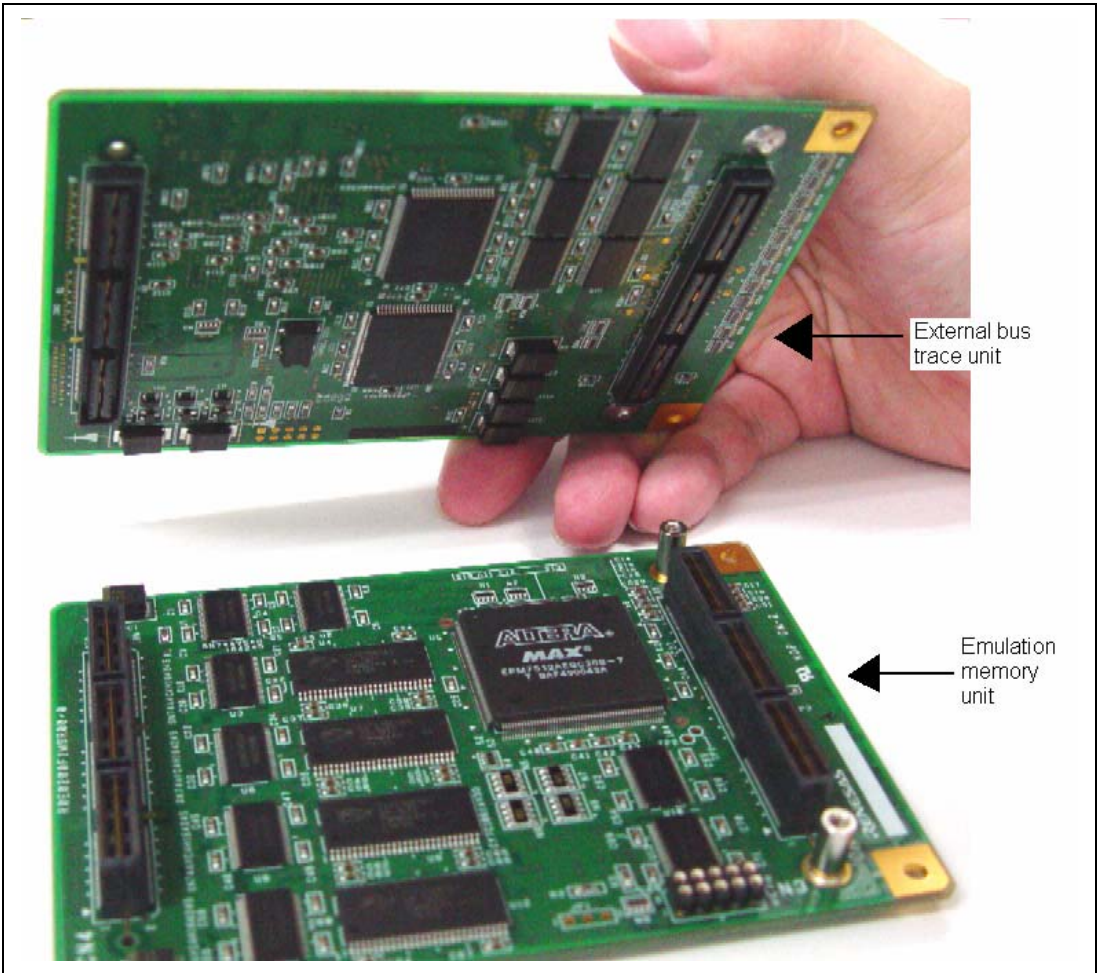
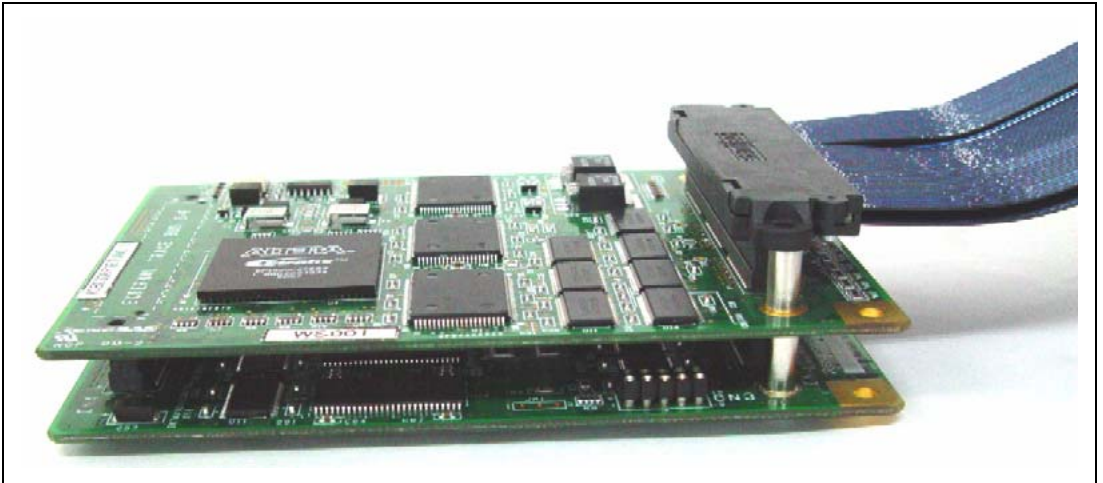


Figure 2.22 Connecting the External Bus Trace Unit to the Emulation Memory Unit

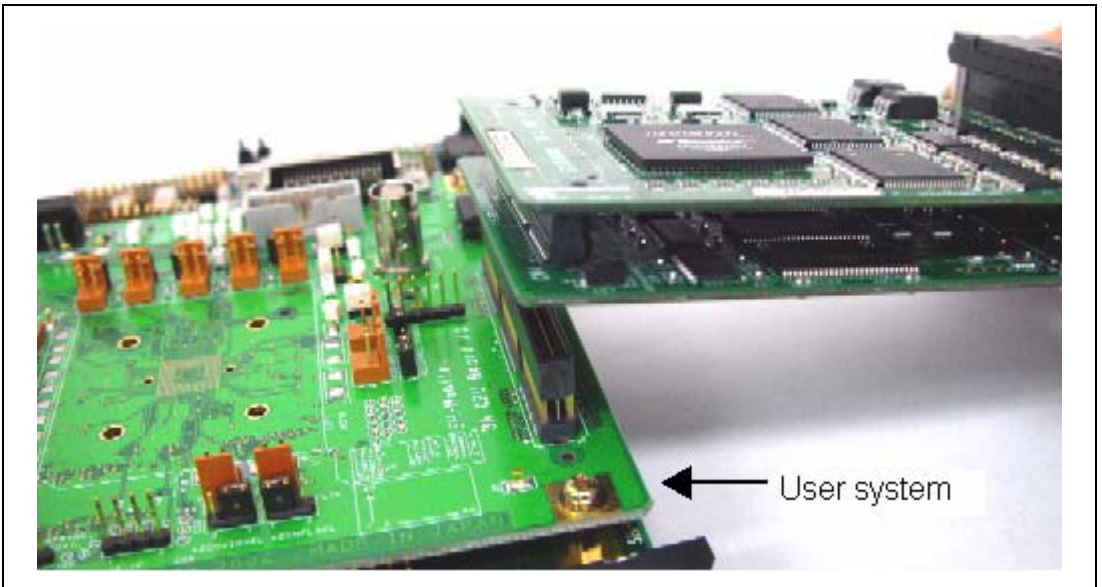


- After checking the location of pin 1, connect the external bus trace unit, emulation memory unit, and trace cable.



**Figure 2.23** Connecting the External Bus Trace Unit, Emulation Memory Unit, and Trace Cable

- After checking the location of pin 1, connect the external bus trace unit, emulation memory unit, and user system.



**Figure 2.24 Connecting the External Bus Trace Unit, Emulation Memory Unit, and User System**

## **⚠ CAUTION**

**Check the location of pin 1 before connecting.**

Note: Connection of the signals differs depending on the MCU used. For installation and pin assignments of the user system connector, refer to section 2.8, Installing the External Bus Trace Unit Connector.

# Section 3 Software Specifications when Using the SH7211

## 3.1 Differences between the SH7211 and the Emulator

1. When the emulator system is initiated, it initializes the general registers and part of the control registers as shown in table 3.1. The initial values of the actual SH7211 registers are undefined. When the emulator is initiated from the workspace, a value to be entered is saved in a session.

**Table 3.1 Register Initial Values at Emulator Link Up**

Register	Emulator at Link Up
R0 to R14	H'00000000
R15 (SP)	Value of the SP in the power-on reset vector table
PC	Value of the PC in the power-on reset vector table
SR	H'000000F0
GBR	H'00000000
VBR	H'00000000
TBR	H'00000000
MACH	H'00000000
MACL	H'00000000
PR	H'00000000

Note: When a value of the interrupt mask bit in the SR register is changed in the [Registers] window, it is actually reflected in that register immediately before execution of the user program is started. It also applies when the value is changed by the REGISTER\_SET command.

2. The emulator uses the H-UDI; do not access the H-UDI.
3. Low-Power States (Sleep, Software Standby, and Module Standby)
  - When the emulator is used, the sleep state can be cleared with either the clearing function or with the [STOP] button, and a break will occur.
  - The memory must not be accessed or modified in software standby state.
  - Do not stop inputting the clock to the H-UDI module by using the module standby function.

#### 4. Reset Signals

The SH7211 reset signals are only valid during emulation started with clicking the GO or STEP-type button. If these signals are enabled on the user system in command input wait state, they are not sent to the SH7211.

Note: Do not break the user program when the `_RES`, `_BREQ`, or `_WAIT` signal is being low. A TIMEOUT error will occur. If the `_BREQ` or `_WAIT` signal is fixed to low during break, a TIMEOUT error will occur at memory access.

#### 5. Direct Memory Access Controller (DMAC)

The DMAC operates even when the emulator is used. When a data transfer request is generated, the DMAC executes DMA transfer.

#### 6. Memory Access during User Program Execution

During execution of the user program, memory is accessed by the following two methods, as shown in table 3.2.

**Table 3.2 Memory Access during User Program Execution**

Method	Description
H-UDI read/write	The stopping time of the user program is short because memory is accessed by the dedicated bus master.
Short break	The stopping time of the user program is long because the user program temporarily breaks.

The method for accessing memory during execution of the user program is specified by using the [Configuration] dialog box.

**Table 3.3 Stopping Time by Memory Access (Reference)**

Method	Condition	Stopping Time
H-UDI read/write	Reading of one longword for the internal RAM	Reading: Maximum three bus clock cycles ( $B\phi$ )
	Writing of one longword for the internal RAM	Writing: Maximum two bus clock cycles ( $B\phi$ )
Short break	CPU clock: 40 MHz JTAG clock: 1.25 MHz  Reading or writing of one byte, one word, or one longword for the external area	About 15 ms

## 7. Memory Access to the External Flash Memory Area

The emulator can download the load module to the external flash memory area (for details, refer to section 6.21, Download Function to the Flash Memory Area, in the SH-2A, SH-2 E200F Emulator User's Manual). Other memory write operations are enabled for the RAM area. Therefore, an operation such as memory write or a BREAKPOINT should be set only for the RAM area.

## 8. ROM Cache

For ROM cache in the MCU, the emulator operates as shown in table 3.4.

**Table 3.4 Operation for ROM Cache**

<b>Function</b>	<b>Operation</b>
Write and erase	Writes or erases all contents of ROM cache.
Memory read	Accesses the disabled cache area to read the content of internal flash memory.

## 9. Multiplexing the AUD Pins in On-Chip Debugging Mode

The AUD pins are multiplexed as shown in table 3.5.

**Table 3.5 Multiplexed Functions**

<b>Function 1</b>	<b>Function 2</b>
WSCK	TCK
WTXD	TMS
WRXD	_TRST
PB30/_UBCTRIG/_IRQOUT	_ASEBRKAK/_ASEBRK
PB22/RXD2/TCLKD/DACK2/FRAME	_AUDSYNC
PB23/TXD2/TCLKC/DREQ2	AUDCK
PB24/RXD3/TCLKB/IRQ2/TEND1	AUDATA3
PB25/TXD3/TCLKA/IRQ3/DACK1	AUDATA2
PB26/SCK3/TIOC2B/DREQ1	AUDATA1
PB27/TXD3/TIOC2A/TEND0	AUDATA0

When the emulator is connected in on-chip debugging mode, function 1 cannot be used because the emulator uses the pins that TCK, TMS, \_TRST, and \_ASEBRKAK/\_ASEBRK have been multiplexed. Function 1 can be used when the pins that AUD has been multiplexed are not connected to the emulator in on-chip debugging mode.

The AUD pins are multiplexed with other pins. The AUD function cannot be used for the initial values because they are used as other functions. To use the initial value as the AUD function, set the AUD pins to be used from [AUD pin select] of the [Configuration] dialog box. The emulator rewrites the registers in the pin function controller (PFC) to enable the specified AUD pins before executing the user program. When those registers are changed by the user program, take care so that the settings of the AUD pins is not changed.

Table 3.6 shows the bits and the values corresponding to the AUD function.

**Table 3.6 Registers and Values Set for the AUD Function**

<b>Pin Name of the Port Function</b>	<b>AUD Function</b>	<b>Register and Bit to be Set</b>	<b>Value to be Set</b>
PB23	AUDCK	PBCRH2[10:8]	3'b110
PB22	_AUDSYNC	PBCRH2[10:8]	3'b110
PB24	AUDATA3	PBCRH2[10:8]	3'b110
PB25	AUDATA2	PBCRH2[10:8]	3'b110
PB26	AUDATA1	PBCRH2[10:8]	3'b110
PB27	AUDATA0	PBCRH2[10:8]	3'b110

Note that the AUD function can be used regardless of the above AUD pin settings in EV-chip unit debugging mode.

#### 10. Using the Watchdog Timer (WDT)

The WDT does not operate during a break.

#### 11. Loading Sessions

Information in [JTAG clock] of the [Configuration] dialog box cannot be recovered by loading sessions. Thus the TCK value will be 2.5 MHz.

## 12. [IO] Window

- Display and modification

For each watchdog timer register, there are two registers to be separately used for write and read operations.

**Table 3.7 Watchdog Timer Register**

Register Name	Usage	Register
WTCSR(W)	Write	Watchdog timer control/status register
WTCNT(W)	Write	Watchdog timer counter
WTCSR(R)	Read	Watchdog timer control/status register
WTCNT(R)	Read	Watchdog timer counter
WRCSR(W)	Write	Watchdog reset control/status register
WRCSR(R)	Read	Watchdog reset control/status register

- Customization of the I/O-register definition file

The internal I/O registers can be accessed from the [IO] window. However, note the following when accessing the SDMR register of the bus state controller. Before accessing the SDMR register, specify addresses to be accessed in the I/O-register definition file (SH7211.IO) and then activate the High-performance Embedded Workshop. After the I/O-register definition file is created, the MCU's specifications may be changed. If each I/O register in the I/O-register definition file differs from addresses described in the hardware manual, change the I/O-register definition file according to the description in the hardware manual. The I/O-register definition file can be customized in accordance to its format. However, the emulator does not support the bit-field function.

- Verification

In the [IO] window, the input values cannot be verified.

## 13. Illegal Instructions

Do not execute illegal instructions with STEP-type commands.



## 14. Reset Input

During execution of the user program, the emulator may not operate correctly if a contention occurs between the following operations for the emulator and the reset input to the target device:

- Setting an Event Condition
- Setting an internal trace
- Displaying the content acquired by an internal trace
- Reading or writing of a memory

Note that those operations should not contend with the reset input to the target device.

## 15. Contention between the Change of the FRQCR Register and the Debugging Functions

The following notes are required for the user program for changing the multiplication rate of PLL circuit 1 to change the frequency:

- Avoid contention between the change of the FRQCR register in the user program and the memory access from the [Memory] window, etc.
- When the automatic updating function is used in the [Monitor] window or [Watch] window, generate and set a break of Event Condition for an instruction immediately before changing the FRQCR register. Contention will be avoided by generating a break and executing the user program again.

For the change of the multiplication rate of PLL circuit 1 and the FRQCR register, refer to the hardware manual for the MCU.

## 3.2 Specific Functions for the Emulator when Using the SH7211

In on-chip debugging mode, a reset must be input when the emulator is activated.

### 3.2.1 Event Condition Functions

The emulator is used to set event conditions for the following three functions:

- Break of the user program
- Internal trace
- Start or end of performance measurement

Table 3.8 lists the types of Event Condition.

**Table 3.8 Types of Event Condition**

<b>Event Condition Type</b>	<b>Description</b>
Address bus condition (Address)	Sets a condition when the address bus (data access) value or the program counter value (before or after execution of instructions) is matched.
Data bus condition (Data)	Sets a condition when the data bus value is matched. Byte, word, or longword can be specified as the access data size.
Bus state condition (Bus State)	There are two bus state condition settings: Bus state condition: Sets a condition when the data bus value is matched. Read/write condition: Sets a condition when the read/write condition is matched.
Count	Sets a condition when the other specified conditions are satisfied for the specified counts.
Reset point	A reset point is set when the count and the sequential condition are specified.
Action	Selects the operation when a condition (such as a break, a trace halt condition, a trace acquisition condition, or a trigger output) is matched.

Use the [Combination action(Sequential or PtoP)] dialog box to specify the sequential condition, the point-to-point operation of the internal trace, and the start or end of performance measurement.

Table 3.9 lists the combinations of conditions that can be set under Ch1 to Ch11 and the software trace.

**Table 3.9 Dialog Boxes for Setting Event Conditions**

Dialog Box		Function				Action
		Address Bus Condition (Address)	Data Bus Condition (Data)	Bus State Condition (Bus Status)	Count Condition (Count)	
[Event Condition 1]	Ch1	O	O	O	O	O (B, T1, and P)
[Event Condition 2]	Ch2	O	O	O	X	O (B, T1, and P)
[Event Condition 3]	Ch3	O	X	X	X	O (B and T2)
[Event Condition 4]	Ch4	O	X	X	X	O (B and T3)
[Event Condition 5]	Ch5	O	X	X	X	O (B and T3)
[Event Condition 6]	Ch6	O	X	X	X	O (B and T2)
[Event Condition 7]	Ch7	O	X	X	X	O (B and T2)
[Event Condition 8]	Ch8	O	X	X	X	O (B and T2)
[Event Condition 9]	Ch9	O	X	X	X	O (B and T2)
[Event Condition 10]	Ch10	O	X	X	X	O (B and T2)
[Event Condition 11]	Ch11 (reset point)	O	X	X	X	O (B and T2)

- Notes: 1. O: Can be set in the dialog box.  
X: Cannot be set in the dialog box.
2. For the Action item,  
B: Setting a break is enabled.  
T1: Setting the trace halt and acquisition conditions are enabled for the internal trace.  
T2: Setting the trace halt is enabled for the internal trace.  
T3: Setting the trace halt and point-to-point is enabled for the internal trace.  
P: Setting a performance-measurement start or end condition is enabled.

The [Event Condition 11] dialog box is used to specify the count of [Event Condition 1] and becomes a reset point when the sequential condition is specified.

**Sequential Setting:** Use the [Combination action(Sequential or PtoP)] dialog box to specify the sequential condition and the start or end of performance measurement.

**Table 3.10 Conditions to Be Set**

Classification	Item	Description
[Ch1, 2, 3] list box		Sets the sequential condition and the start or end of performance measurement using Event Conditions 1 to 3 and 11.
	Don't care	Sets no sequential condition or the start or end of performance measurement.
	Break: Ch3-2-1	Breaks when a condition is satisfied in the order of Event Condition 3, 2, 1.
	Break: Ch3-2-1, Reset point	Breaks when a condition is satisfied in the order of Event Condition 3, 2, 1. Enables the reset point of Event Condition 11.
	Break: Ch2-1	Breaks when a condition is satisfied in the order of Event Condition 2, 1.
	Break: Ch2-1, Reset point	Breaks when a condition is satisfied in the order of Event Condition 2, 1. Enables the reset point.
	I-Trace stop: Ch3-2-1	Halts acquisition of an internal trace when a condition is satisfied in the order of Event Condition 3, 2, 1.
	I-Trace stop: Ch3-2-1, Reset point	Halts acquisition of an internal trace when a condition is satisfied in the order of Event Condition 3, 2, 1. Enables the reset point.
	I-Trace stop: Ch2-1	Halts acquisition of an internal trace when a condition is satisfied in the order of Event Condition 2, 1.
	I-Trace stop: Ch2-1, Reset point	Halts acquisition of an internal trace when a condition is satisfied in the order of Event Condition 2, 1. Enables the reset point.

**Table 3.10 Conditions to Be Set (cont)**

<b>Classification</b>	<b>Item</b>	<b>Description</b>
[Ch1, 2, 3] list box (cont)	Ch2 to Ch1 PA	Sets the performance measurement period during the time from the satisfaction of the condition set in Event Condition 2 (start condition) to the satisfaction of the condition set in Event Condition 1 (end condition).
	Ch1 to Ch2 PA	Sets the performance measurement period during the time from the satisfaction of the condition set in Event Condition 1 (start condition) to the satisfaction of the condition set in Event Condition 2 (end condition).
[Ch4, 5] list box	Sets the point-to-point of the internal trace (the start or end condition of trace acquisition) using Event Conditions 4 and 5.	
	Don't care	Sets no start or end condition of trace acquisition.
	I-Trace: Ch5 to Ch4 PtoP	Sets the acquisition period during the time from the satisfaction of the condition set in Event Condition 5 (start condition) to the satisfaction of the condition set in Event Condition 4 (end condition).
	I-Trace: Ch5 to Ch4 PtoP, Power-on reset	Sets the acquisition period during the time from the satisfaction of the condition set in Event Condition 5 (start condition) to the satisfaction of the condition set in Event Condition 4 (end condition) or the power-on reset.

- Notes:
1. After the sequential condition and the count specification condition of Event Condition 1 have been set, break and trace acquisition will be halted if the sequential condition is satisfied for the specified count.
  2. If a reset point is satisfied, the satisfaction of the condition set in Event Condition will be disabled. For example, if the condition is satisfied in the order of Event Condition 3, 2, reset point, 1, the break or trace acquisition will not be halted. If the condition is satisfied in the order of Event Condition 3, 2, reset point, 3, 2, 1, the break and trace acquisition will be halted.
  3. If the start condition is satisfied after the end condition of the performance measurement has been satisfied, performance measurement will be restarted. For the measurement result after a break, the measurement results during performance measurement are added.
  4. If the start condition is satisfied after the end condition has been satisfied by the point-to-point of the internal trace, trace acquisition will be restarted.

**Usage Example of Sequential Break Extension Setting:** A tutorial program provided for the product is used as an example. For the tutorial program, refer to section 6, Tutorial, in the SH-2A, SH-2 E200F Emulator User's Manual.

The conditions of Event Condition are set as follows:

1. Ch1

Breaks address H'00001086 when the condition [Prefetch address break after executing] is satisfied.

2. Ch2

Breaks address H'00001068 when the condition [Prefetch address break after executing] is satisfied.

3. Ch3

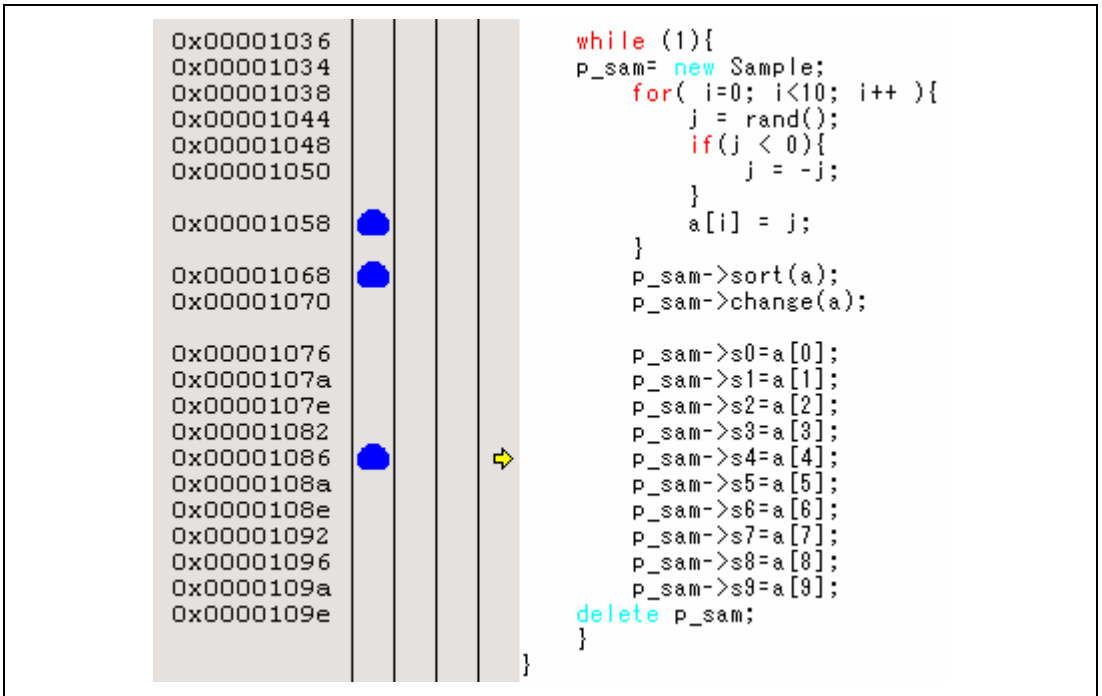
Breaks address H'00001058 when the condition [Prefetch address break after executing] is satisfied.

Note: Do not set other channels.

4. Sets the contents of the [Ch1,2,3] list box to [Break: Ch 3-2-1] in the [Combination action] dialog box.

Then, set the program counter and stack pointer (PC = H'00000800, R15 = H'FFF9F000) in the [Registers] window and click the [Go] button. If this does not execute normally, issue a reset and execute the above procedures.

The program is executed up to the condition of Ch1 and halted. Here, the condition is satisfied in the order of Ch3 -> 2 -> 1.



**Figure 3.1 [Source] Window at Execution Halt (Sequential Break)**

If the sequential condition, performance measurement start/end, or point-to-point for the internal trace is set, conditions of Event Condition to be used will be disabled. Such conditions must be enabled from the popup menu by clicking the right mouse button on the [Event Condition] sheet.

- Notes:
1. If the Event condition is set for the slot in the delayed branch instruction by the program counter (after execution of the instruction), the condition is satisfied before executing the instruction in the branch destination (when a break has been set, it occurs before executing the instruction in the branch destination).
  2. Do not set the Event condition for the SLEEP instruction by the program counter (after execution of the instruction).
  3. When the Event condition is set for the 32-bit instruction by the program counter, set that condition in the upper 16 bits of the instruction.
  4. If the power-on reset and the Event condition are matched simultaneously, no condition will be satisfied.
  5. Do not set the Event condition for the DIVU or DIVS instruction by the program counter (after execution of the instruction).

6. If a condition of which intervals are satisfied closely is set, no sequential condition will be satisfied.
  - Set the Event conditions, which are satisfied closely, by the program counter with intervals of two or more instructions.
  - After the Event condition has been matched by accessing data, set the event condition by the program counter with intervals of 17 or more instructions.
7. If the settings of the Event condition or the sequential conditions are changed during execution of the program, execution will be suspended. (The number of clock cycles to be suspended during execution of the program is a maximum of about 102 bus clock cycles ( $B\phi$ ). If the bus clock ( $B\phi$ ) is 66.6 MHz, the program will be suspended for 1.53  $\mu$ s.)
8. If the settings of Event conditions or the sequential conditions are changed during execution of the program, the emulator temporarily disables all Event conditions to change the settings. During this period, no Event conditions will be satisfied.
9. If the break condition before executing an instruction is set to the instruction followed by DIVU and DIVS, the factor for halting a break will be incorrect under the following condition:

If a break occurs during execution of the above DIVU and DIVS instructions, the break condition before executing an instruction, which has been set to the next instruction, may be displayed as the factor for halting a break.
10. If the break conditions before and after executing instructions are set to the same address, the factor for halting a break will be incorrectly displayed. The factor for halting a break due to the break condition after executing an instruction will be displayed even if a break is halted by the break condition before executing an instruction.
11. Do not set the break condition after executing instructions and BREAKPOINT (software break) to the same address.
12. When the emulator is being connected, the user break controller (UBC) function is not available.



### 3.2.2 Trace Functions

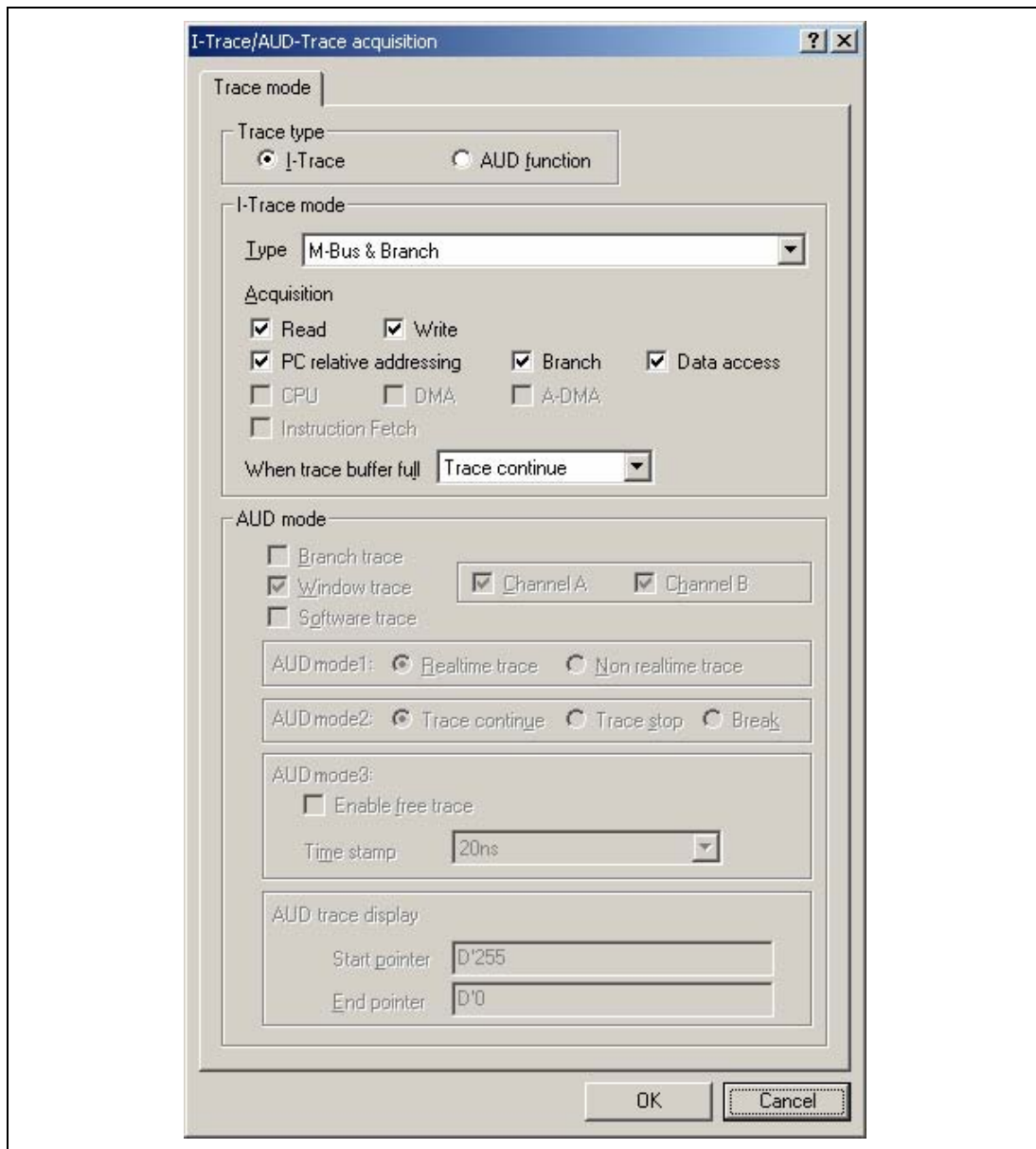
The emulator supports the trace functions listed in table 3.11.

**Table 3.11 Trace Functions**

<b>Function</b>	<b>Internal Trace</b>	<b>AUD Trace</b>
Branch trace	Supported	Supported
Memory access trace	Supported	Supported
Software trace	Not supported	Supported

The internal and AUD traces are set in the [I-Trace/AUD-Trace acquisition] dialog box of the [Trace] window.

**Internal Trace Function:** When [I-Trace] is selected for [Trace type] on the [Trace mode] page of the [I-Trace/AUD-Trace acquisition] dialog box, the internal trace can be used.



**Figure 3.2 [I-Trace/AUD-Trace acquisition] Dialog Box (Internal Trace Function)**

The following three items can be selected as the internal trace from [Type] of [I-Trace mode].

**Table 3.12 Information on Acquiring the Internal Trace**

Item	Acquisition Information
[M-Bus & Branch]	Acquires the data and branch information on the M-bus. <ul style="list-style-type: none"><li>• Data access (read/write)</li><li>• PC-relative access</li><li>• Branch information</li></ul>
[I-Bus]	Acquires the data on the I-bus. <ul style="list-style-type: none"><li>• Data access (read/write)</li><li>• Selection of the bus master on the I-bus (CPU/DMA/A-DMA)</li><li>• Instruction fetch</li></ul>
[I-Bus, M-Bus & Branch]	Acquires the contents of [M-Bus & Branch] and [I-Bus].

After selecting [Type] of [I-Trace mode], select the contents to be acquired from [Acquisition]. Typical examples are described below (note that items disabled for [Acquisition] are not acquired).

- Example of acquiring branch information only:  
Select [M-Bus & Branch] from [Type] and enable [Branch] on [Acquisition].
- Example of acquiring the read or write access (M-bus) only by the user program:  
Select [M-Bus & Branch] from [Type] and enable [Read], [Write], and [Data access] on [Acquisition].
- Example of acquiring the read access only by DMAC (I-bus):  
Select [I-Bus] from [Type] and enable [Read], [DMA], and [Data access] on [Acquisition].

Using the Event Condition restricts the condition; the following three items are set as the internal trace conditions.

**Table 3.13 Trace Conditions of the Internal Trace**

Item	Acquisition Information
Trace halt	Acquires the internal trace until the Event Condition is satisfied. (The trace content is displayed in the [Trace] window after a trace has been halted. No break occurs in the user program.)
Trace acquisition	Acquires only the data access where the Event Condition is satisfied.
Point-to-point	Traces the period from the satisfaction of Event Condition 5 to the satisfaction of Event Condition 4.

To restrict trace acquisition to access only a specific address or specific function of a program, an Event Condition can be used. Typical examples are described below.

- Example of halting a trace with a write access (M-bus) to H'FFF80000 by the user program as a condition (trace halt):

Set the condition to be acquired on [I-Trace mode].

Set the following in the [Event Condition 1] or [Event Condition 2] dialog box:

Address condition: Set [Address] and H'FFF80000.

Bus state condition: Set [M-Bus] and [Write].

Action condition: Disable [Acquire Break] and set [Acquire Trace] for [Stop].

- Example of acquiring the write access (M-bus) only to H'FFF80000 by the user program (trace acquisition condition):

Select [M-Bus & Branch] from [Type] and enable [Write] and [Data access] on [Acquisition].

Set the following in the [Event Condition 1] or [Event Condition 2] dialog box:

Address condition: Set [Address] and H'FFF80000.

Bus state condition: Set [M-Bus] and [Write].

Action condition: Disable [Acquire Break] and set [Acquire Trace] for [Condition].

For the trace acquisition condition, the condition to be acquired by the Event Condition should be acquired by setting the [I-Trace mode].

- Example of acquiring a trace for the period while the program passes H'1000 through H'2000 (point-to-point):

Set the condition to be acquired on [I-Trace mode].

Set the address condition as H'1000 in the [Event Condition 4] dialog box.

Set the address condition as H'2000 in the [Event Condition 5] dialog box.

Set [I-Trace] as [Ch4 to Ch5 PtoP] in the [Combination action (Sequential or PtoP)] dialog box.

When point-to-point and trace acquisition condition are set simultaneously, they are ANDed.

### Notes on Internal Trace:

- **Timestamp**

The timestamp is the clock counts of B $\phi$  (48-bit counter). Table 3.14 shows the timing for acquiring the timestamp.

**Table 3.14 Timing for the Timestamp Acquisition**

Item	Acquisition Information	Counter Value Stored in the Trace Memory
M-bus data access		Counter value when data access (read or write) has been completed
Branch		Counter value when the next bus cycle has been completed after a branch
I-bus	Fetch	Counter value when a fetch has been completed
	Data access	Counter value when data access has been completed

- **Point-to-point**

The trace-start condition is satisfied when the specified instruction has been fetched.

Accordingly, if the trace-start condition has been set for the overrun-fetched instruction (an instruction that is not executed although it has been fetched at a branch or transition to an interrupt), tracing is started during overrun-fetching of the instruction. However, when overrun-fetching is achieved (a branch is completed), tracing is automatically suspended. If the start and end conditions are satisfied closely, trace information will not be acquired correctly.

The execution cycle of the instruction fetched before the start condition is satisfied may be traced.

When the I-bus is acquired, do not specify point-to-point.

Memory access may not be acquired by the internal trace if it occurs at several instructions immediately before satisfaction of the point-to-point end condition.

- **Halting a trace**

Do not set the trace-end condition for the SLEEP instruction and the branch instruction that the delay slot becomes the SLEEP instruction.

- Trace acquisition condition

Do not set the trace-end condition for the SLEEP instruction and the branch instruction according to which the delay slot becomes the SLEEP instruction.

When [I-BUS, M-Bus & Branch] is selected and the trace acquisition condition is set for the M-bus and I-bus with the Event Condition, set the M-bus condition and the I-bus condition for [Event Condition 1] and [Event Condition 2], respectively.

If the settings of [I-Trace mode] are changed during execution of the program, execution will be suspended. (The number of clock cycles to be suspended during execution of the program is a maximum of about 51 peripheral clock cycles ( $P\phi$ ) + 15 bus clock cycles ( $B\phi$ ). If the peripheral clock ( $P\phi$ ) is 33.3 MHz and the bus clock ( $B\phi$ ) is 66.6 MHz, the program will be suspended for 1.757  $\mu$ s.)

- Displaying a trace

If a trace is displayed during execution of the program, execution will be suspended to acquire the trace information. (The number of clock cycles to be suspended during execution of the program is a maximum of about 20480 peripheral clock cycles ( $P\phi$ ) + 4096 bus clock cycles ( $B\phi$ ). If the peripheral clock ( $P\phi$ ) is 33.3 MHz and the bus clock ( $B\phi$ ) is 66.6 MHz, the program will be suspended for 676.52  $\mu$ s.)

- Branch trace

If breaks occur immediately after executing non-delayed branch and TRAPA instructions and generating a branch due to exception or interrupt, a trace for one branch will not be acquired immediately before such breaks.

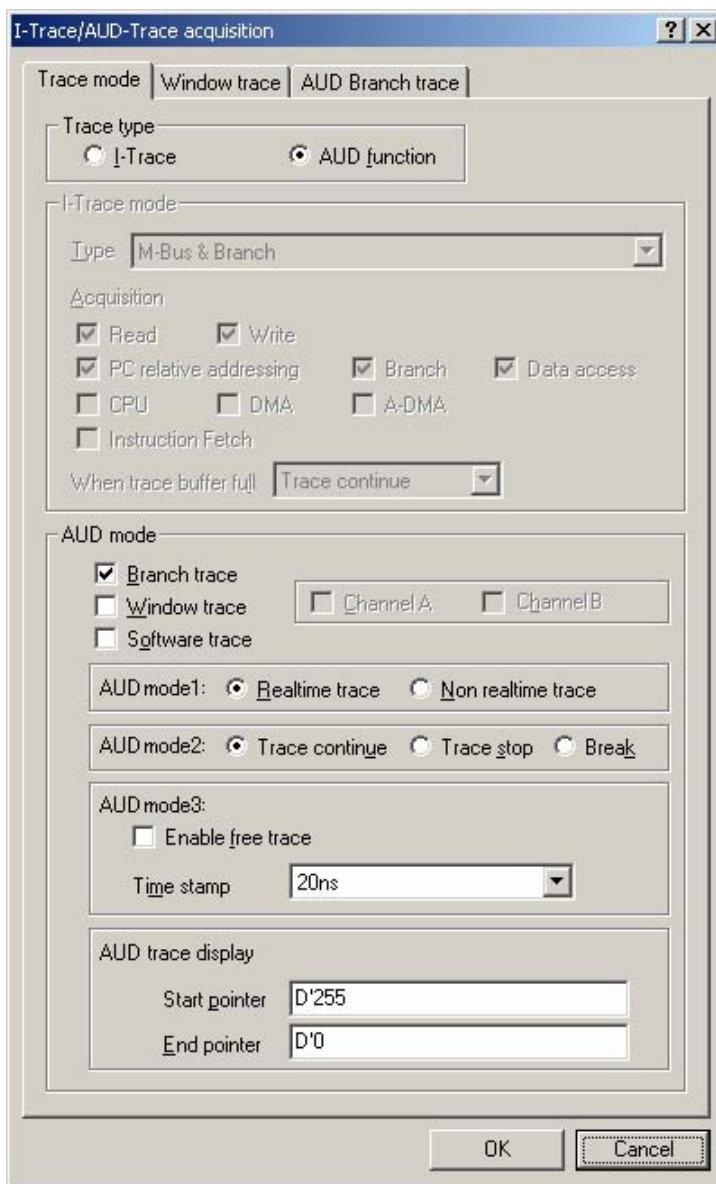
However, this does not affect on generation of breaks caused by a BREAKPOINT and a break before executing instructions of Event Condition.

**AUD Trace Functions:** This function is operational when the AUD pins of the MCU are connected to the emulator. Table 3.15 shows the AUD trace acquisition mode that can be set in each trace function.

**Table 3.15 AUD Trace Acquisition Mode**

Type	Mode	Description
Continuous trace occurs	Realtime trace	When the next branching occurs while the trace information is being output, all the information may not be output. The user program can be executed in realtime, but some trace information will be lost.
	Non realtime trace	When the next branching occurs while the trace information is being output, the CPU stops operations until the information is output. The user program is not executed in realtime.
Trace buffer full	Trace continue	This function writes the latest trace information on the oldest information to store the latest trace information.
	Trace stop	After the trace buffer becomes full, the trace information is no longer acquired. The user program is continuously executed.
	Break	A break occurs when the trace buffer becomes full.
AUD trace function used	Enable free trace	When this box is checked, the emulator ignores the AUD eventpoint setting and acquires all trace information.
	Time stamp clock	The resolution of the timer for timestamps can be specified. Select 20 ns, 100 ns, 400 ns, or 1.6 $\mu$ s.

To set the AUD trace acquisition mode, click the [Trace] window with the right mouse button and select [Setting] from the pop-up menu to display the [I-Trace/AUD-Trace acquisition] dialog box. The AUD trace acquisition mode can be set in the [AUD mode1], [AUD mode2], or [AUD mode3] group box in the [Trace mode] page of the [I-Trace/AUD-Trace acquisition] dialog box.



**Figure 3.3 [Trace mode] Page**

When the AUD trace function is used, select the [AUD function] radio button in the [Trace type] group box of the [Trace mode] page.

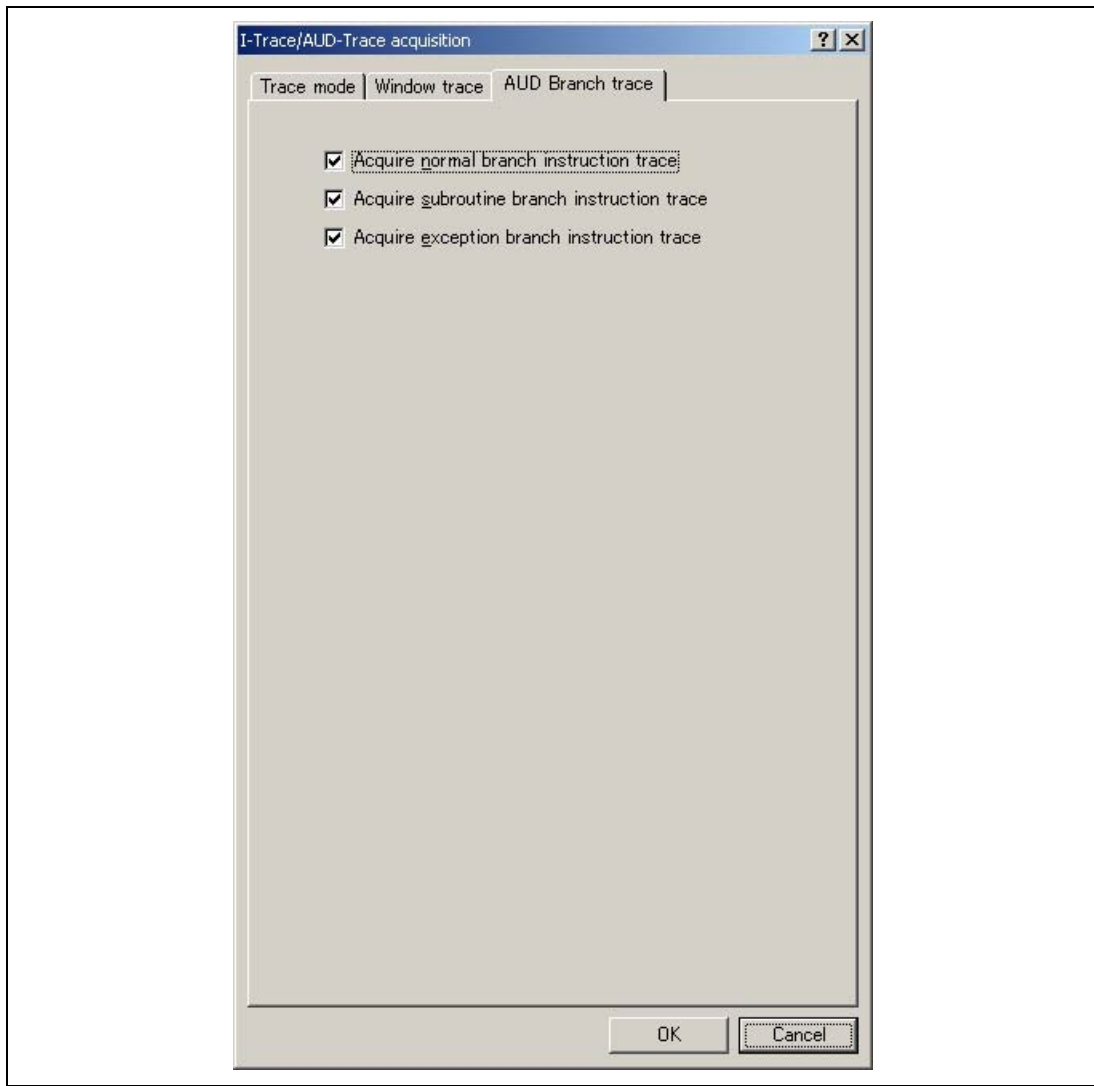


### (a) Branch Trace Function

The branch source and destination addresses and their source lines are displayed.

Branch trace can be acquired by selecting the [Branch trace] check box in the [AUD function] group box of the [Trace mode] page.

The branch type can be selected in the [AUD Branch trace] page.



**Figure 3.4 [AUD Branch trace] Page**

### (b) Window Trace Function

Memory access in the specified range can be acquired by trace.

Two memory ranges can be specified for channels A and B. The read, write, or read/write cycle can be selected as the bus cycle for trace acquisition.

#### Setting Method:

- (i) Select the [Channel A] and [Channel B] check boxes in the [AUD function] group box of the [Trace mode] page. Each channel will become valid.
- (ii) Open the [Window trace] page and specify the bus cycle and memory range that are to be set for each channel.

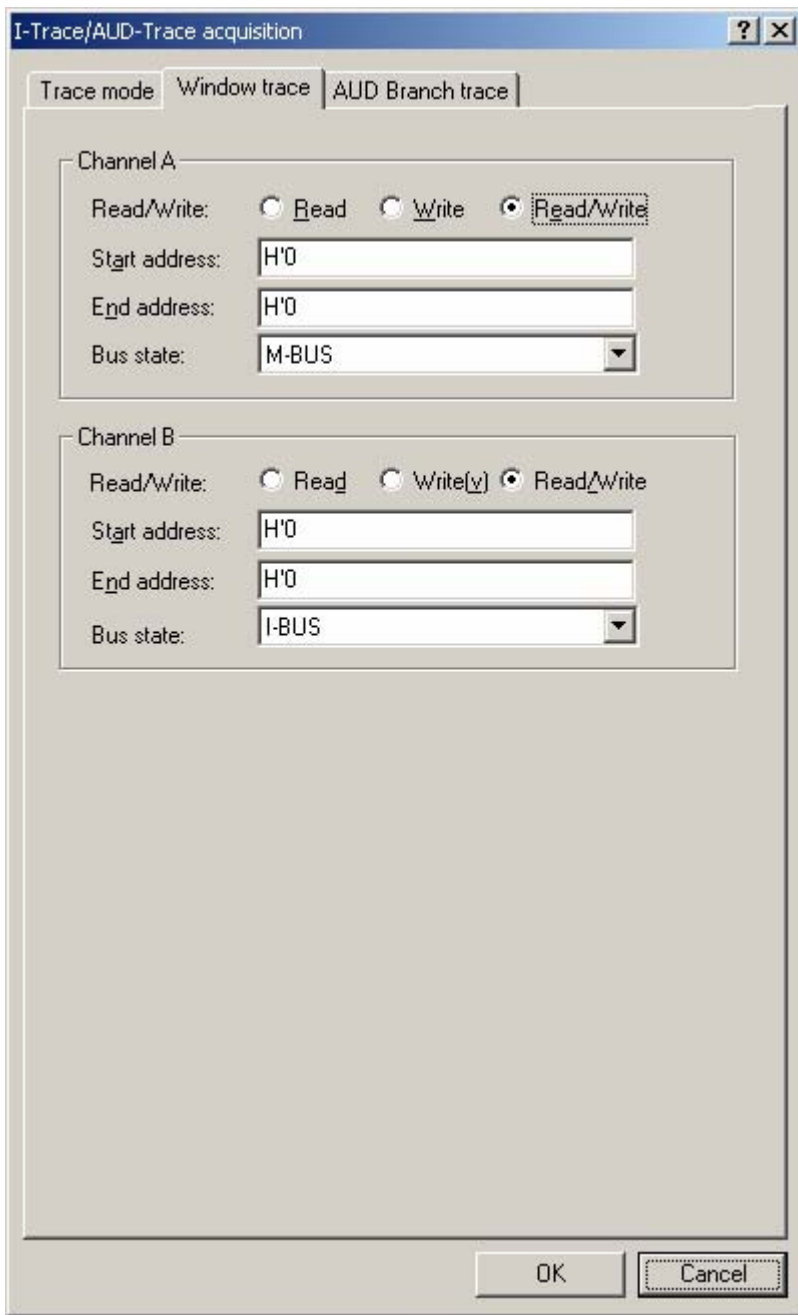


Figure 3.5 [Window trace] Page

Note: When [M-BUS] or [I-BUS] is selected, the following bus cycles will be traced.

- M-BUS: A bus cycle generated by the CPU is acquired.
- I-BUS: A bus cycle generated by the CPU or DMA is acquired.

### (c) Software Trace Function

Note: This function can be supported with SuperH C/C++ compiler (manufactured by Renesas Technology Corp.; including OEM and bundle products) V7.0 or later.

When a specific instruction is executed, the PC value at execution and the contents of one general register are acquired by trace. Describe the Trace(x) function (x is a variable name) to be compiled and linked beforehand. For details, refer to the SuperH™ RISC engine C/C++ Compiler, Assembler, Optimizing Linkage Editor User's Manual.

When the load module is downloaded on the emulator and is executed while a software trace function is valid, the PC value that has executed the Trace(x) function, the general register value for x, and the source lines are displayed.

To activate the software trace function, select the [Software trace] check box in the [AUD function] group box of the [Trace mode] page.

### Notes on AUD Trace:

1. When the trace display is performed during user program execution, the mnemonics, operands, or source is not displayed.
2. The AUD trace function outputs the differences between newly output branch source addresses and previously output branch source addresses. The window trace function outputs the differences between newly output addresses and previously output addresses. If the previous branch source address is the same for the upper 16 bits, the lower 16 bits are output. If it matches the upper 24 bits, the lower 8 bits are output. If it matches the upper 28 bits, the lower 4 bits are output.

The emulator regenerates the 32-bit address from these differences and displays it in the [Trace] window. If the emulator cannot display the 32-bit address, it displays the difference from the previously displayed 32-bit address.

3. If the 32-bit address cannot be displayed, the source line is not displayed.
4. In the emulator, when multiple loops are performed to reduce the number of AUD trace displays, only the IP counts up.
5. In the emulator, the maximum number of trace displays is 262144 lines (131072 branches). However, the maximum number of trace displays differs according to the AUD trace information to be output. Therefore, the above pointers cannot always be acquired.
6. If a completion-type exception occurs during exception branch acquisition, the next address to the address in which an exception occurs is acquired.

7. The AUD trace is disabled while the profiling function is used.
8. If breaks occur immediately after executing non-delayed branch and TRAPA instructions and generating a branch due to exception or interrupt, a trace for one branch will not be acquired immediately before such breaks.

However, this does not affect on generation of breaks caused by a BREAKPOINT and a break before executing instructions of Event Condition.

### 3.2.3 Notes on Using the JTAG (H-UDI) Clock (TCK) and AUD Clock (AUDCK)

1. Set the JTAG clock (TCK) frequency to less than the frequency of the MCU peripheral module clock (CKP) and 10 MHz or lower.
2. The initial value of the JTAG clock (TCK) is 2.5 MHz.
3. A value to be set for the JTAG clock (TCK) is initialized after executing [Reset CPU] or [Reset Go]. Thus the TCK value will be 2.5 MHz.
4. Set the AUD clock (AUDCK) frequency to 50 MHz or lower. If the frequency is higher than 50 MHz, the emulator will not operate normally.

### 3.2.4 Notes on Setting the [Breakpoint] Dialog Box

1. When an odd address is set, the next lowest even address is used.
2. A BREAKPOINT is accomplished by replacing instructions of the specified address. It cannot be set to the following addresses:
  - An area other than CS and the internal RAM
  - An instruction in which Event Condition 2 is satisfied
  - A slot instruction of a delayed branch instruction
3. During step operation, the specified BREAKPOINT and Event Condition breaks are disabled.
4. When execution resumes from the address where a BREAKPOINT is specified and a break occurs before the Event Condition execution, single-step operation is performed at the address before execution resumes. Therefore, realtime operation cannot be performed.
5. When a BREAKPOINT is set to the slot instruction of a delayed branch instruction, the PC value becomes an illegal value. Accordingly, do not set a BREAKPOINT to the slot instruction of a delayed branch instruction.
6. If a BREAKPOINT cannot be correctly set to an address in the ROM or flash memory area, a mark ● will be displayed in the [BP] area of the address on the [Source] or [Disassembly] window by refreshing the [Memory] window, etc. after Go execution. However, no break will occur at this address. When the program halts with the break condition, the mark ● disappears.

7. If you wish to use a BREAKPOINT (software break), specify the SH2A\_SBSTK command to enable use of a user stack before setting a PC break. While enabled, extra four bytes of a user stack are used when a break occurs. The value of the stack pointer (R15) must be correctly set in advance because a user stack is to be used. By default, use of a user stack is disabled. For details on the command, refer to the help file.

- Example

To enable use of a user stack:

```
>SH2A_SBSTK enable
```

### 3.2.5 Notes on Setting the [Event Condition] Dialog Box and the BREAKCONDITION\_SET Command

1. When [Go to cursor], [Step In], [Step Over], or [Step Out] is selected, the settings of Event Condition 3 are disabled.
2. When an Event Condition is satisfied, emulation may stop after two or more instructions have been executed.

### 3.2.6 Performance Measurement Function

The emulator supports the performance measurement function.

1. Setting the performance measurement conditions

To set the performance measurement conditions, use the [Performance Analysis] dialog box or the PERFORMANCE\_SET command. When any line in the [Performance Analysis] window is clicked with the right mouse button, a popup menu is displayed and the [Performance Analysis] dialog box can be displayed by selecting [Setting].

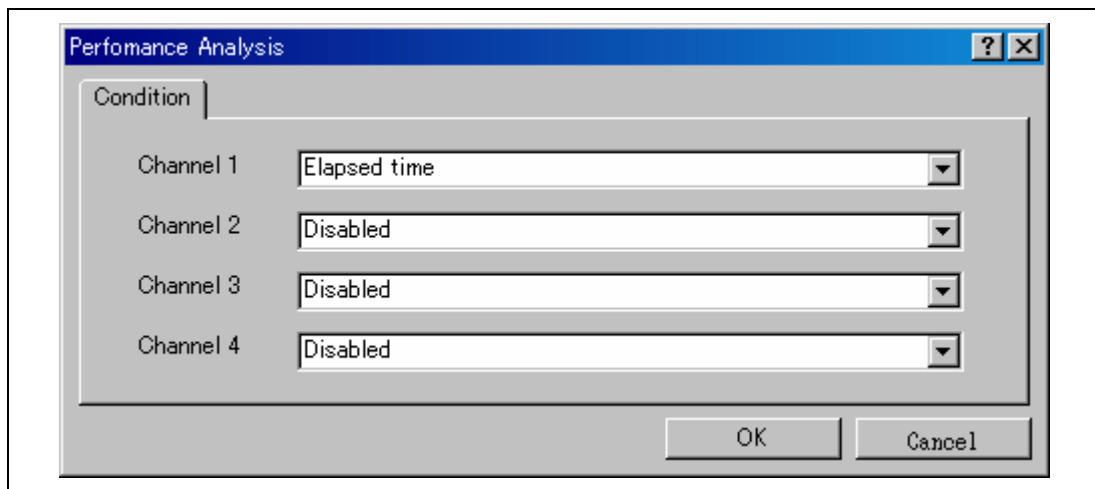
Note: For the command line syntax, refer to the online help.

(a) Specifying the measurement start/end conditions

The measurement start/end conditions are specified by using Event Condition 1,2. The [Ch1,2,3] list box of the [Combination action] dialog box can be used.

**Table 3.16 Measurement Period**

Classification	Item	Description
Selection in the [Ch1, 2, 3] list box	Ch2 to Ch1 PA	The period from the satisfaction of the condition set in Event Condition 2 (start condition) to the satisfaction of the condition set in Event Condition 1 (end condition) is set as the performance measurement period.
	Ch1 to Ch2 PA	The period from the satisfaction of the condition set in Event Condition 1 (start condition) to the satisfaction of the condition set in Event Condition 2 (end condition) is set as the performance measurement period.
	Other than above	The period from the start of execution of the user program to the occurrence of a break is measured.



**Figure 3.6 [Performance Analysis] Dialog Box**

For measurement tolerance,

- The measured value includes tolerance.
- Tolerance will be generated before or after a break.

Note: When [Ch2 to Ch1 PA] or [Ch1 to Ch2 PA] is selected, to execute the user program, specify conditions set in Event Condition 2 and Event Condition 1 and one or more items for performance measurement.

(b) Measurement item

Items are measured with [Channel 1 to 4] in the [Performance Analysis] dialog box. Maximum four conditions can be specified at the same time. Table 3.17 shows the measurement items (Options in table 3.17 are parameters for <mode> of the PERFORMANCE\_SET command. They are displayed for CONDITION in the [Performance Analysis] window).



**Table 3.17 Measurement Item**

<b>Selected Name</b>	<b>Option</b>
Disabled	None
Elapsed time	AC
Branch instruction counts	BT
Number of execution instructions	I
Number of execution 32bit-instructions	I32
Exception/interrupt counts	EA
Interrupt counts	INT
Data cache-miss counts	DC
Instruction cache-miss counts	IC
All area access counts	ARN
All area instruction access counts	ARIN
All area data access counts	ARND
Cacheable area access counts	CDN (data access)
Cacheable area instruction access counts	CIN
Non cacheable area data access counts	NCN
URAM area access counts	UN
URAM area instruction access counts	UIN
URAM area data access counts	UDN
Internal I/O area data access counts	IODN
Internal ROM area access counts	RN
Internal ROM area instruction access counts	RIN
Internal ROM area data access counts	RDN
All area access cycle	ARC
All area instruction access cycle	ARIC
All area data access cycle	ARDC
All area access stall	ARS
All area instruction access stall	ARIS
All area data access stall	ARDS

- Notes:
1. In the non-realtime trace mode of the AUD trace, normal counting cannot be performed because the generation state of the stall or the execution cycle is changed.
  2. If the internal ROM is not installed on the product, do not set the measurement item for the internal ROM area.
  3. For SH7211, do not set measurement items for the cache-miss counts, cacheable area, or non-cacheable area.

## 2. Displaying the measured result

The measured result is displayed in the [Performance Analysis] window or the PERFORMANCE\_ANALYSIS command in hexadecimal (32 bits).

Note: If a performance counter overflows as a result of measurement, “\*\*\*\*\*” will be displayed.

## 3. Initializing the measured result

To initialize the measured result, select [Initialize] from the popup menu in the [Performance Analysis] window or specify INIT with the PERFORMANCE\_ANALYSIS command.

## Section 4 User System Interface Circuits

### 4.1 User System Interface Circuits

Figures 4.1 through 4.6 show user system interface circuits. Use them as a reference to determine the value of the pull-up resistance.

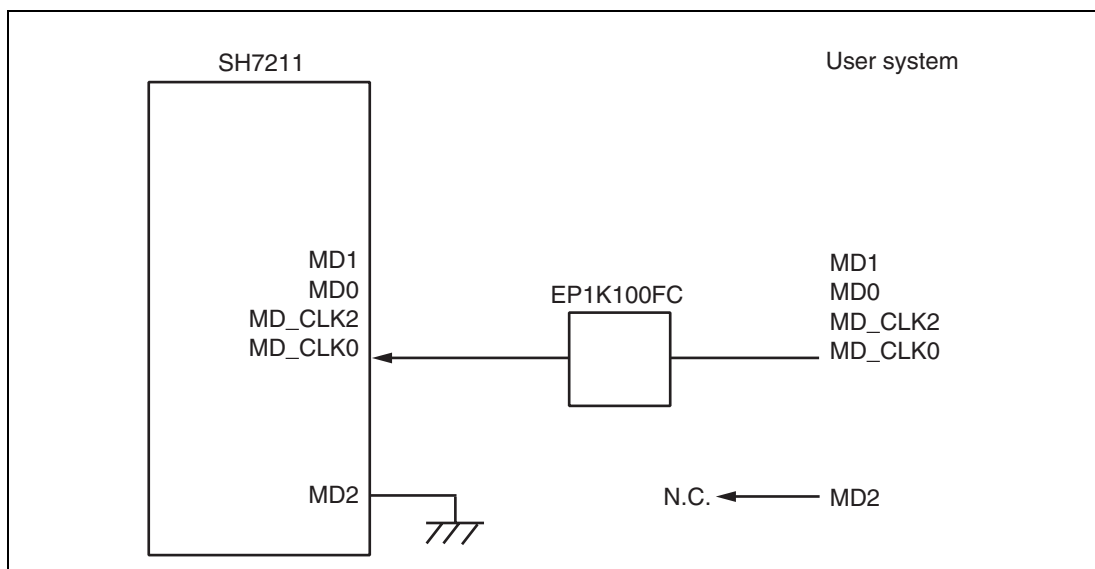


Figure 4.1 User System Interface Circuits



Figure 4.2 User System Interface Circuits

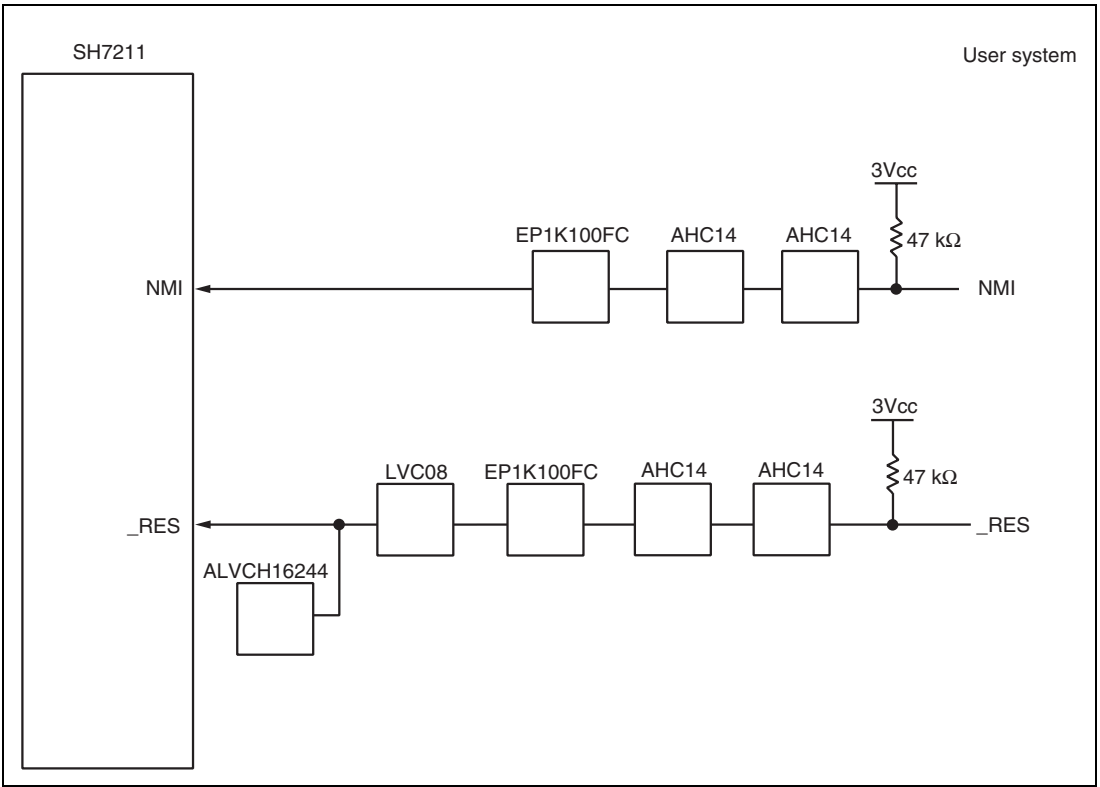


Figure 4.3 User System Interface Circuits

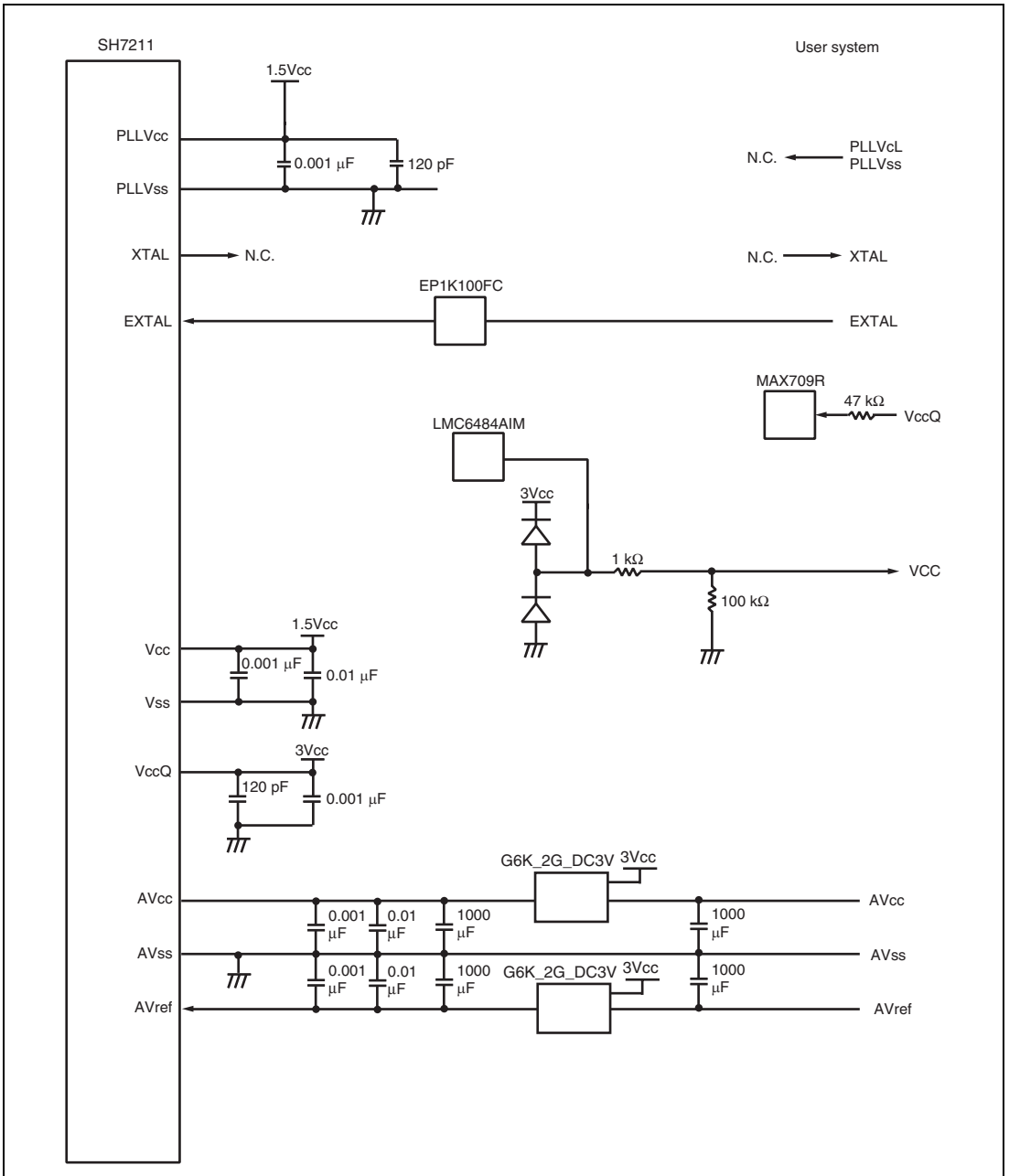
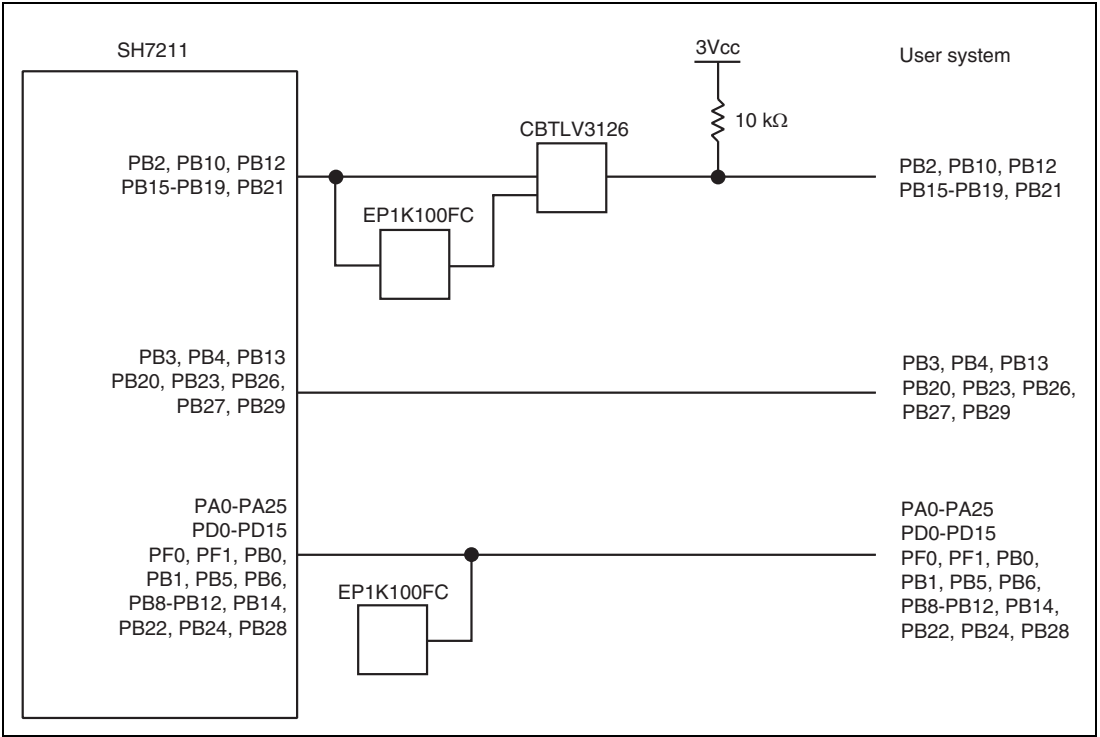
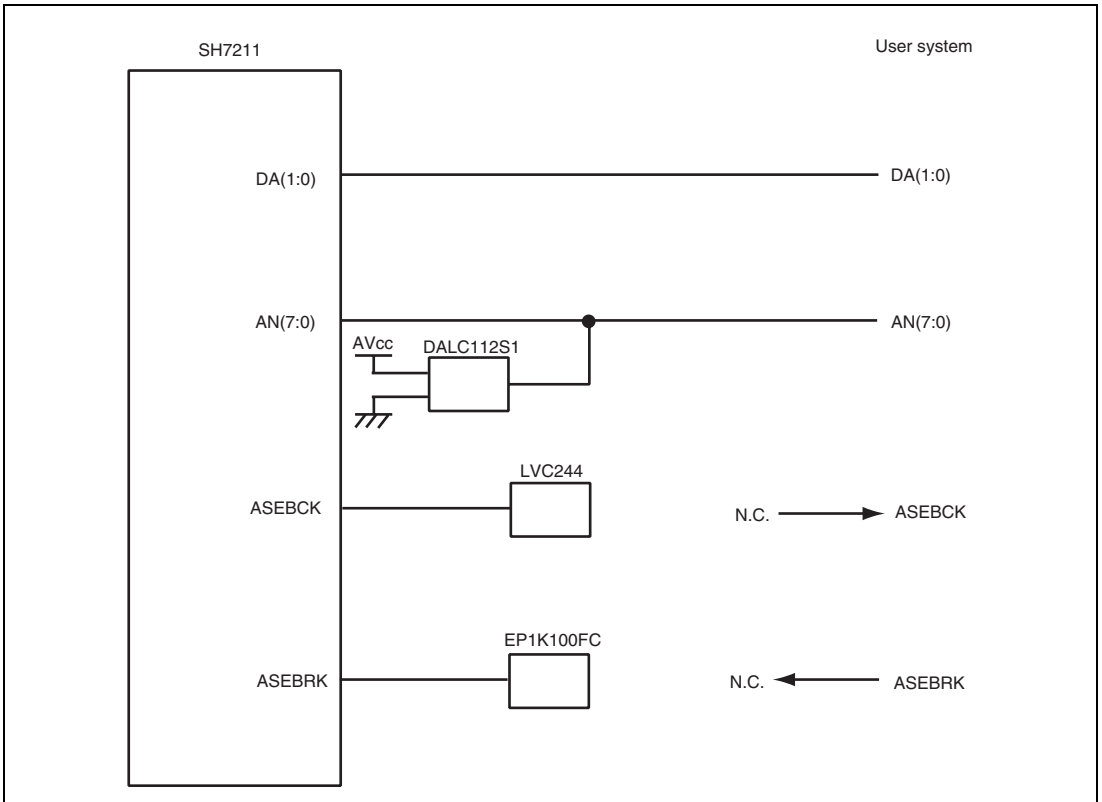


Figure 4.4 User System Interface Circuits



**Figure 4.5 User System Interface Circuits**



**Figure 4.6 User System Interface Circuits**

## 4.2 Delay Time for the User System Interface

Since the `_RES` and `NMI` signals are connected to the user system via the logic on the EV-chip unit, a delay time shown in table 4.1 will be generated until the signal is input from the user system to the MCU.

**Table 4.1 Delay Time for Signals via the EV-chip Unit**

No.	Signal Name	Delay Time (ns)
1	<code>_RES</code>	18
2	<code>NMI</code>	17





---

**SH-2A, SH-2 E200F Emulator**  
**Additional Document for User's Manual**  
**Supplementary Information on Using the SH7211**

Publication Date: Rev.1.00, February 6, 2006  
Rev.4.00, March 13, 2007  
Published by: Sales Strategic Planning Div.  
Renesas Technology Corp.  
Edited by: Customer Support Department  
Global Strategic Communication Div.  
Renesas Solutions Corp.

Renesas Technology Corp. Sales Strategic Planning Div. Nippon Bldg., 2-6-2, Ohte-machi, Chiyoda-ku, Tokyo 100-0004, Japan

---



## RENESAS SALES OFFICES

<http://www.renesas.com>

Refer to "<http://www.renesas.com/en/network>" for the latest and detailed information.

### **Renesas Technology America, Inc.**

450 Holger Way, San Jose, CA 95134-1368, U.S.A  
Tel: <1> (408) 382-7500, Fax: <1> (408) 382-7501

### **Renesas Technology Europe Limited**

Dukes Meadow, Millboard Road, Bourne End, Buckinghamshire, SL8 5FH, U.K.  
Tel: <44> (1628) 585-100, Fax: <44> (1628) 585-900

### **Renesas Technology (Shanghai) Co., Ltd.**

Unit 204, 205, AZIACenter, No.1233 Lujiazui Ring Rd, Pudong District, Shanghai, China 200120  
Tel: <86> (21) 5877-1818, Fax: <86> (21) 6887-7898

### **Renesas Technology Hong Kong Ltd.**

7th Floor, North Tower, World Finance Centre, Harbour City, 1 Canton Road, Tsimshatsui, Kowloon, Hong Kong  
Tel: <852> 2265-6688, Fax: <852> 2730-6071

### **Renesas Technology Taiwan Co., Ltd.**

10th Floor, No.99, Fushing North Road, Taipei, Taiwan  
Tel: <886> (2) 2715-2888, Fax: <886> (2) 2713-2999

### **Renesas Technology Singapore Pte. Ltd.**

1 Harbour Front Avenue, #06-10, Keppel Bay Tower, Singapore 098632  
Tel: <65> 6213-0200, Fax: <65> 6278-8001

### **Renesas Technology Korea Co., Ltd.**

Kukje Center Bldg. 18th Fl., 191, 2-ka, Hangang-ro, Yongsan-ku, Seoul 140-702, Korea  
Tel: <82> (2) 796-3115, Fax: <82> (2) 796-2145

### **Renesas Technology Malaysia Sdn. Bhd**

Unit 906, Block B, Menara Amcorp, Amcorp Trade Centre, No.18, Jalan Persiaran Barat, 46050 Petaling Jaya, Selangor Darul Ehsan, Malaysia  
Tel: <603> 7955-9390, Fax: <603> 7955-9510



SH-2A, SH-2 E200F Emulator  
Additional Document for User's Manual  
Supplementary Information on Using the  
SH7211



Renesas Electronics Corporation

1753, Shimonumabe, Nakahara-ku, Kawasaki-shi, Kanagawa 211-8668 Japan

REJ10J1264-0400