

RL78/G22 Fast Prototyping Board Schematic

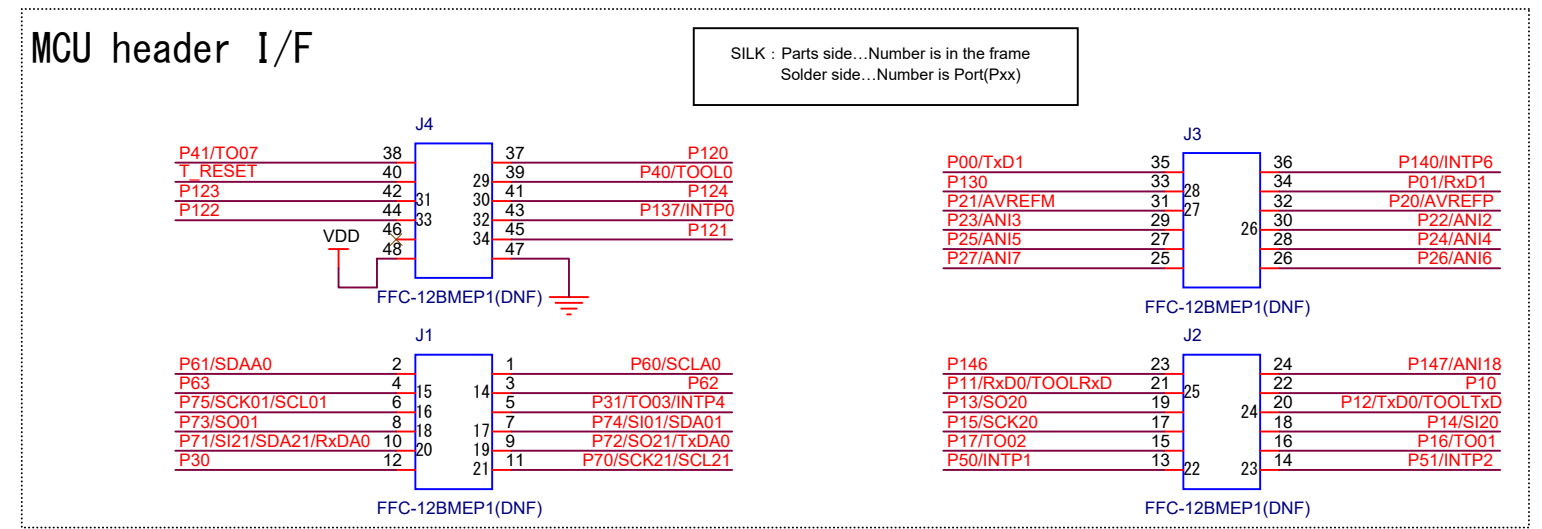
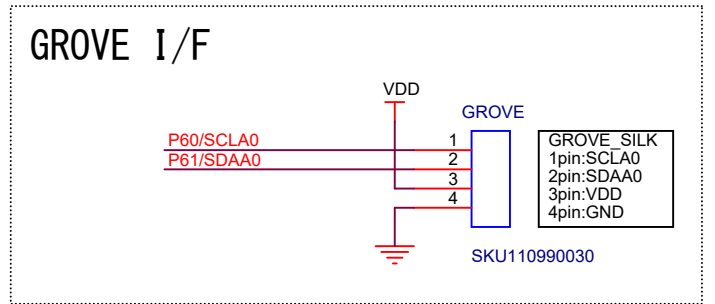
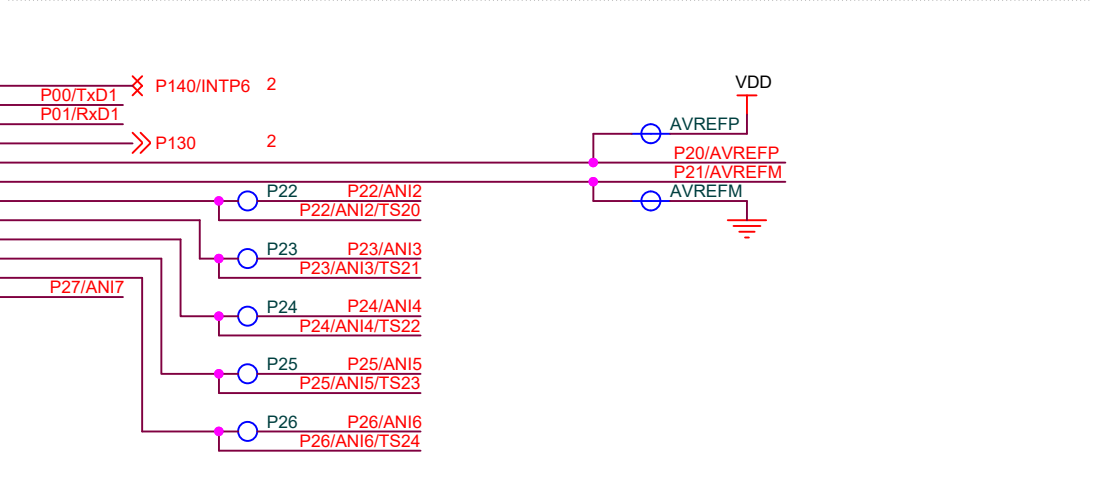
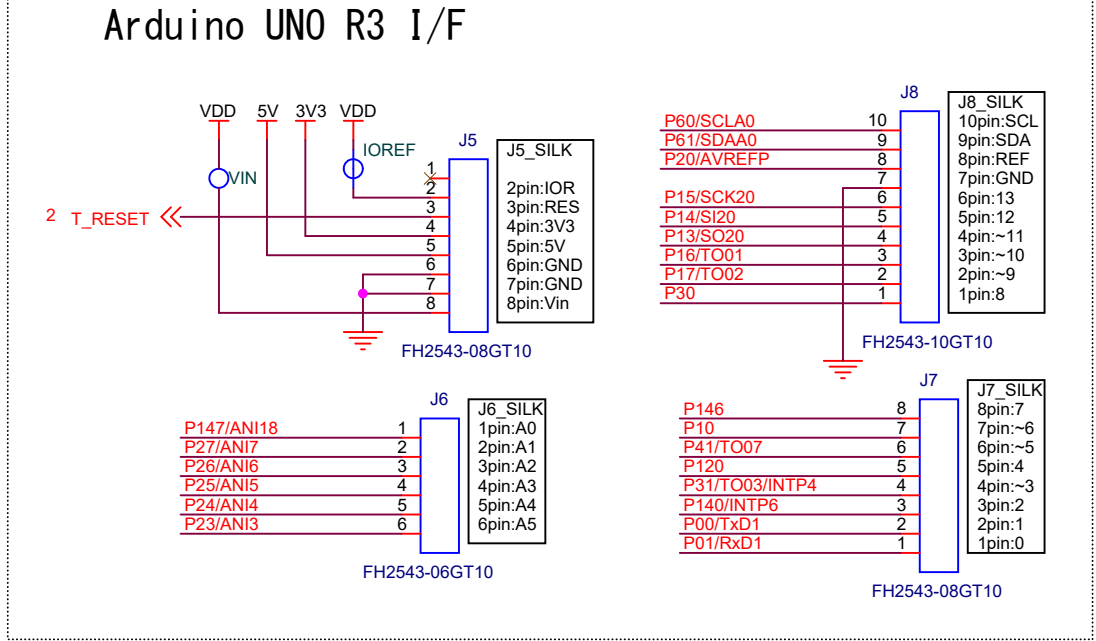
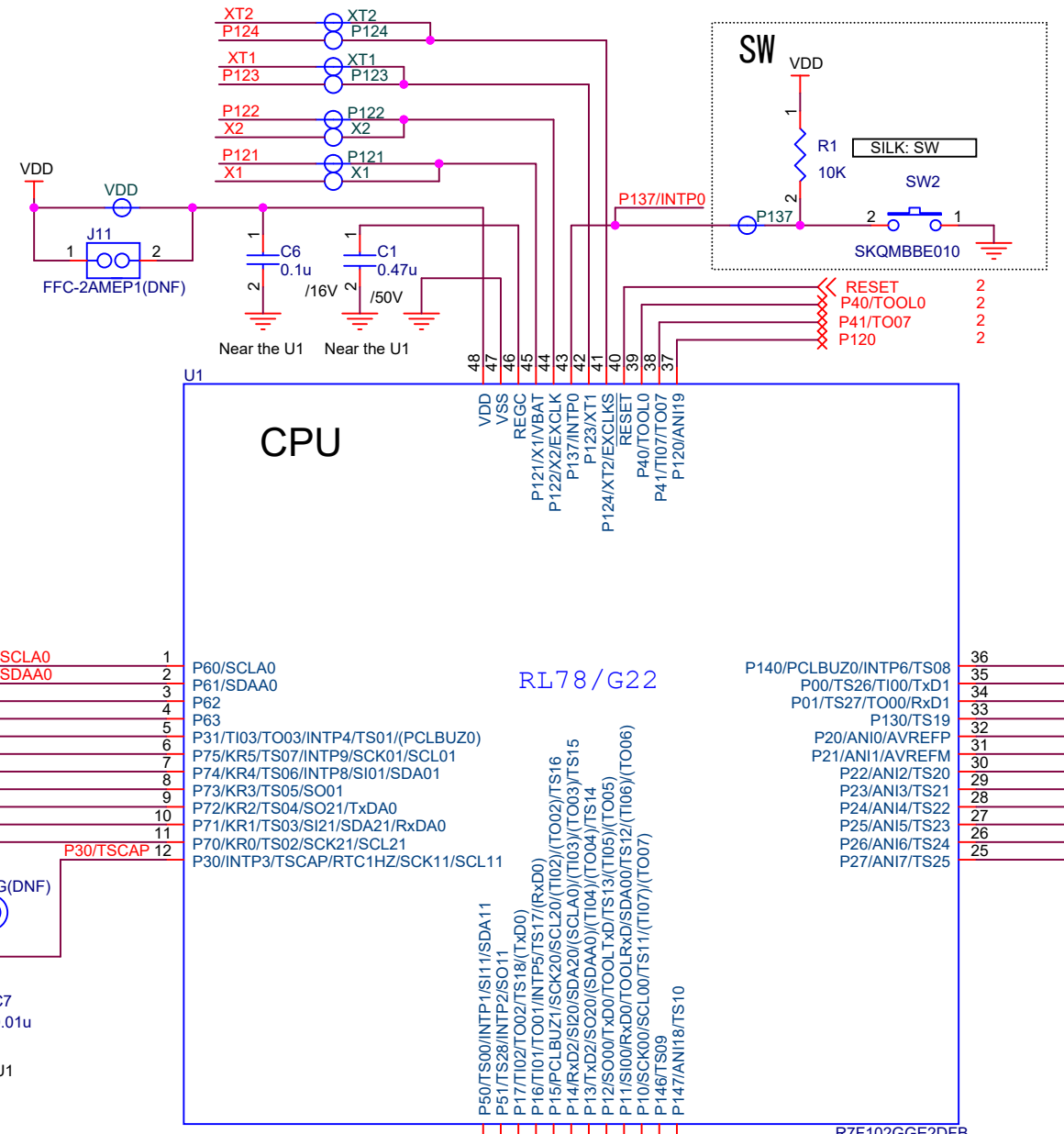
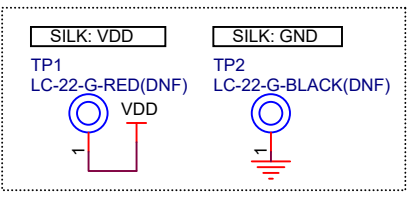
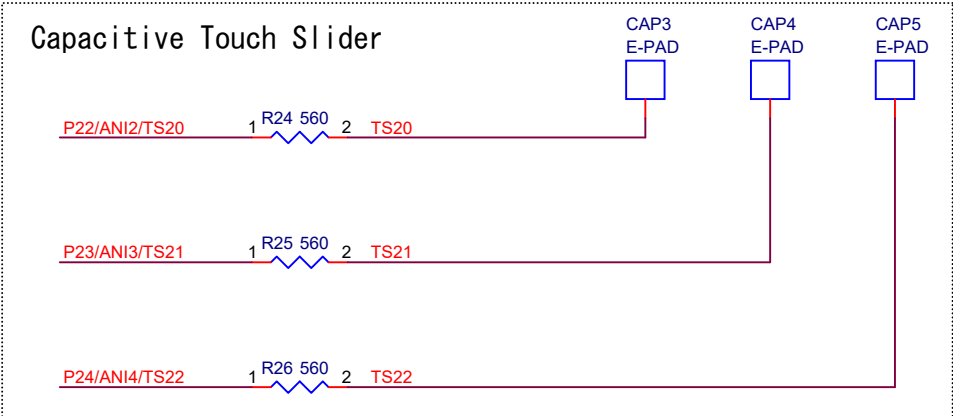
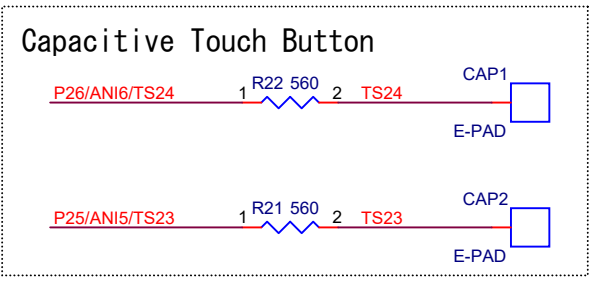
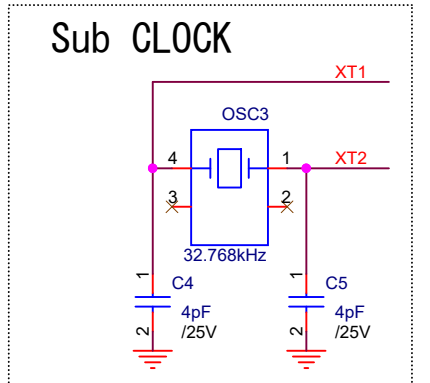
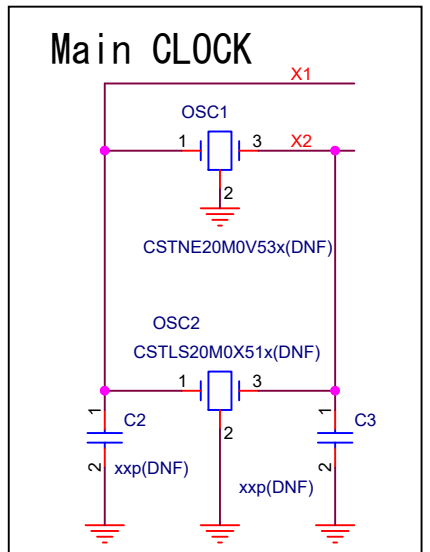
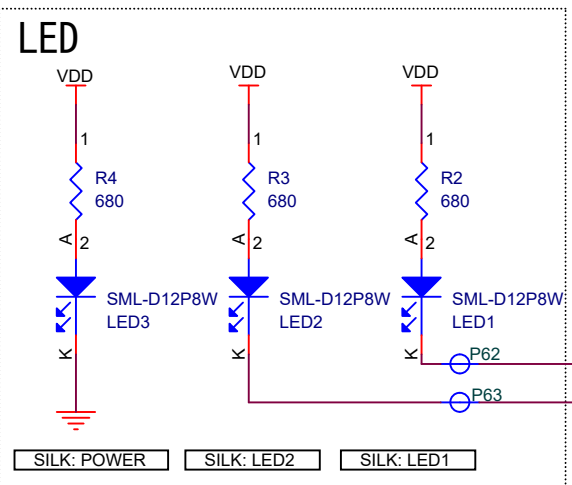
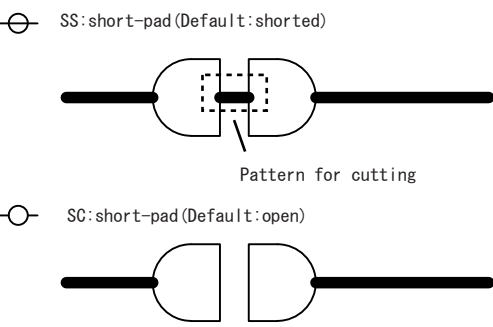
Product No:RTK7RLG220C00000BJ

Document No:R20UT5122EJ Rev.1.0

P1 : CPU, GROVE I/F, Main CLOCK, Sub CLOCK, SW, LED, Arduino UNO R3 I/F, MCU Header I/F,
Capacitive Touch Button, Capacitive Touch Slider

P2 : Micro USB I/F, E2 Emulator I/F, RESET, Pmod I/F, POWER

*(DNF) : Do not fit(Unmount)



G\Y`XYX`h\Y`]b\Y`k]h` ; B8

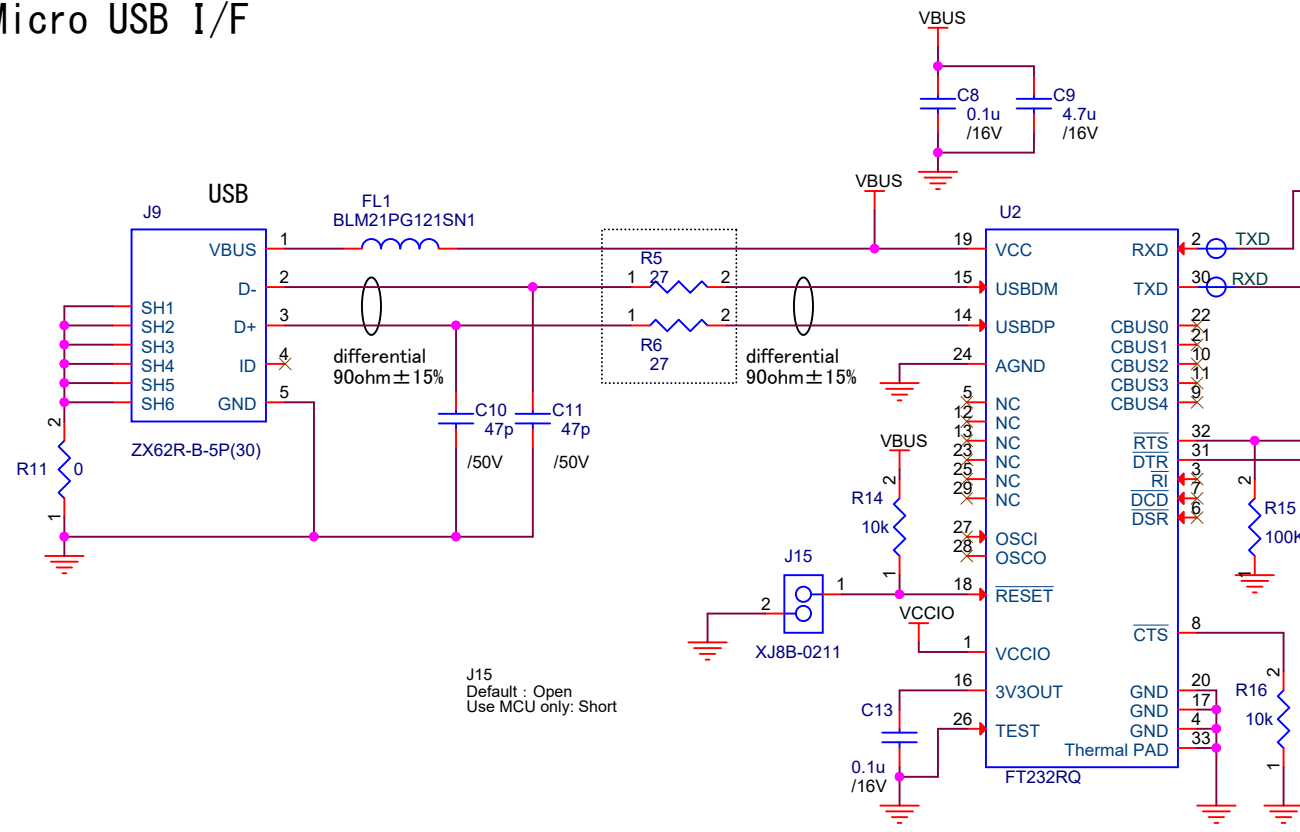
OSC1, OSC2, X1, X2, XT1, XT2, RESET, T_RESET

H\Y`dckYf`]b\Y`h\]W\YbYX

VDD, REGC, 5V, VBUS, 3V3, Pmod1_VCC, Pmod2_VCC

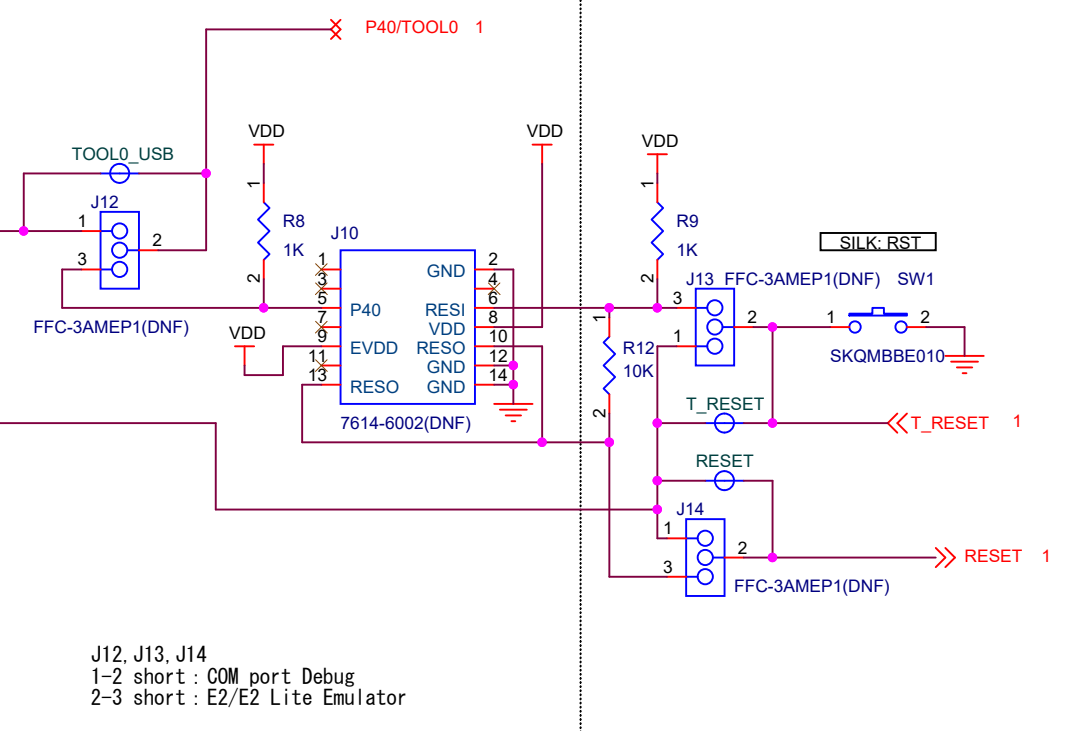
Renesas Electronics Corporation		
Title	RTK7RLG220C00000BJ	
Size	Document Number	Rev
A3	R20UT5FG2EJ	1.0
Date:	Nov.16. 2022	Sheet 1 of 2

Micro USB I/F



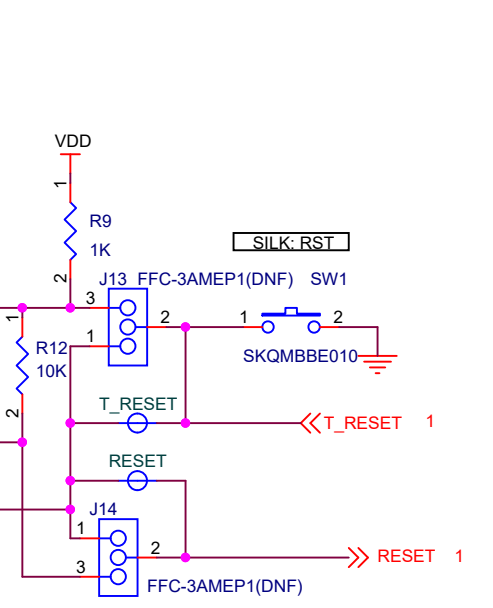
J15
Default : Open
Use MCU only: Short

E2 Emulator I/F

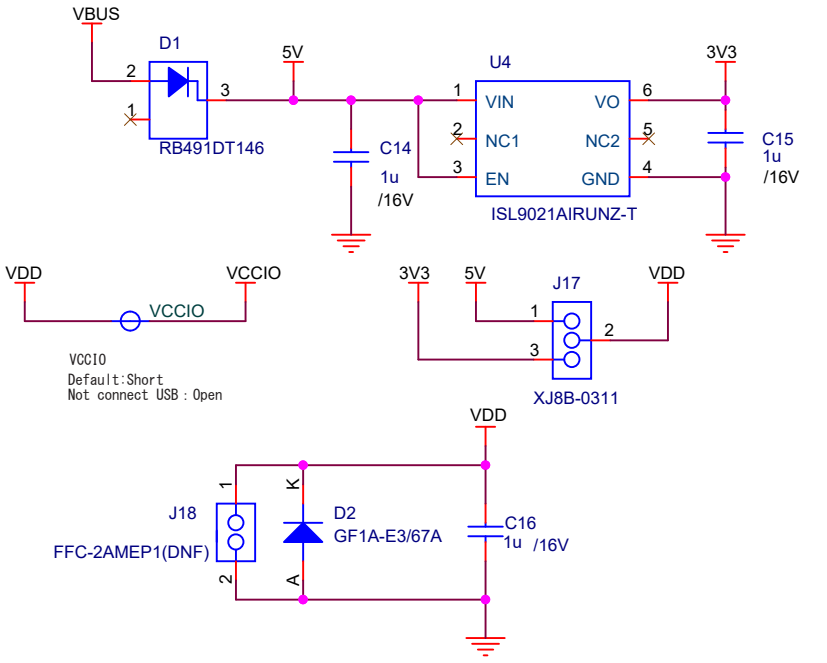


J12, J13, J14
1-2 short : COM port Debug
2-3 short : E2/E2 Lite Emulator

RESET



POWER



VCCIO
Default: Short
Not connect USB : Open

Pmod I/F

