
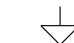
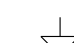




RSK+RZA1 LCD Board Schematic

REV	COMMENT	DATE	DRAWN BY
1.00	Release	05/12/2019	MAB
2.00	Panel Update	21/05/2019	MAB
3.00	Power Supply Update	24/09/2019	SGP
4.00	Level Translator Removal	05/12/2019	SGP

Page	Description
2	24-bit RGB Interface
3	RGB to Digital Video
4	Power Supply

Note:

-  Digital Ground
-  TDMS_GND TMDS Ground
-  TFT_PGND TFT Power Ground
-  BL_AGND Backlight Analogue Ground
-  SHIELD_GND Ground for shielding connections

- BOARD_5V Digital 5.0V
- BOARD_3V3 Digital 3.3V
- AVDD 10.4V TFT Analog Power
- VGH TFT Gate ON Voltage
- VGL TFT Gate OFF Voltage
- VCOM TFT Common Voltage
- TFTLED TFT Backlight Power
- VDD_TP 3.3V Touch Panel's Power
- DNF Do Not Fit
- R Resistor
- C Capacitor
- L Inductor

Rubber Foot d=11.1mm/h=5mm black
MP1



Rubber Foot d=11.1mm/h=5mm black
MP2




Rubber Foot d=11.1mm/h=5mm black
MP3

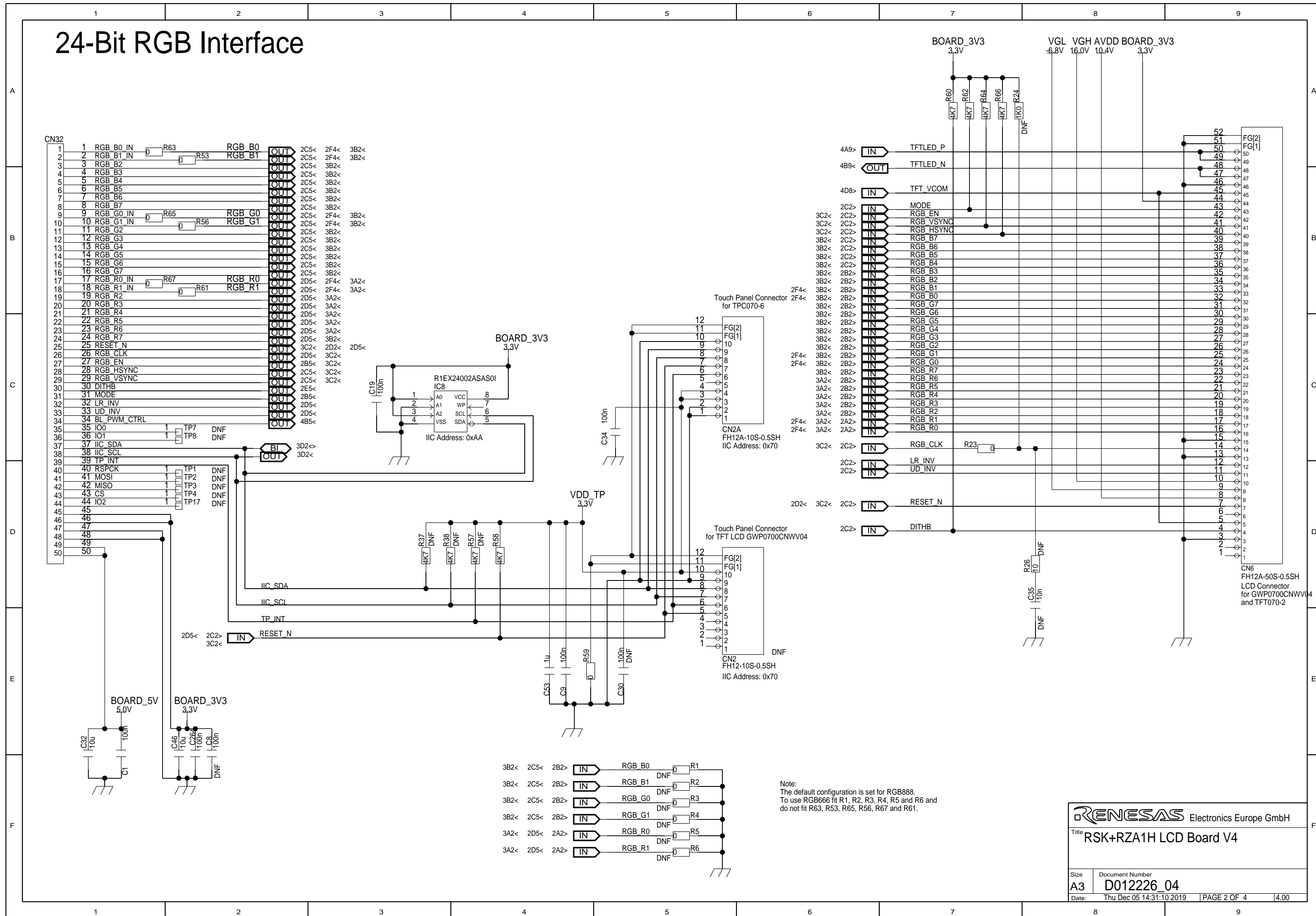


Rubber Foot d=11.1mm/h=5mm black
MP4



 Electronics Europe GmbH	
Title RSK+RZA1H LCD Board V4	
Size A3	Document Number D012226_04
Date: Thu Dec 05 14:16:30 2019	PAGE 1 OF 4 4.00

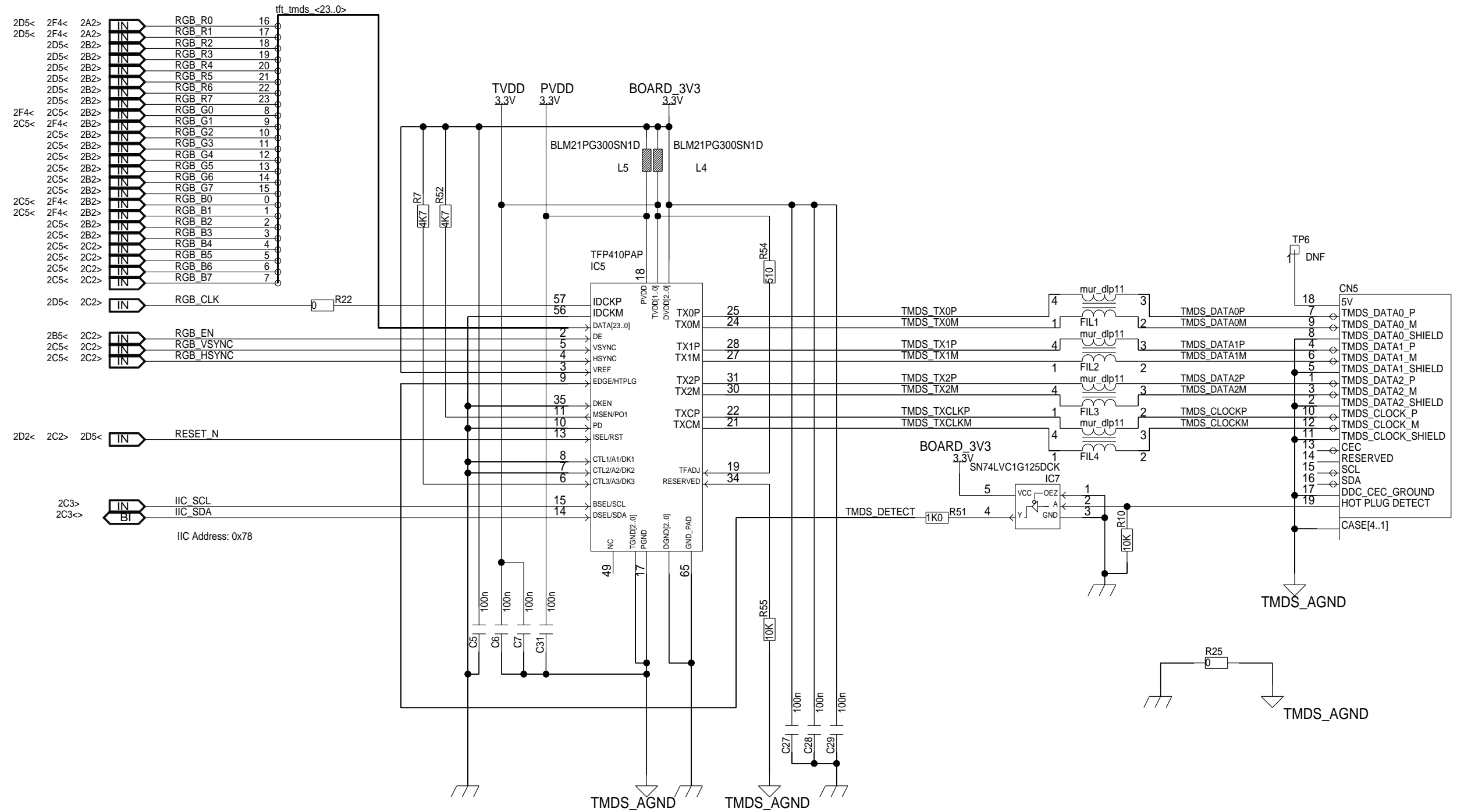
24-Bit RGB Interface



Note:
The default configuration is set for RGB888.
To use RGB666 fit R1, R2, R3, R4, R5 and R6 and
do not fit R63, R53, R65, R56, R67 and R61.

RENESAS Electronics Europe GmbH
 Title **RSK+RZA1H LCD Board V4**
 Size **A3** Document Number **D012226_04**
 Date: Thu Dec 05 14:31:10 2019 | PAGE 2 OF 4 | 4.00

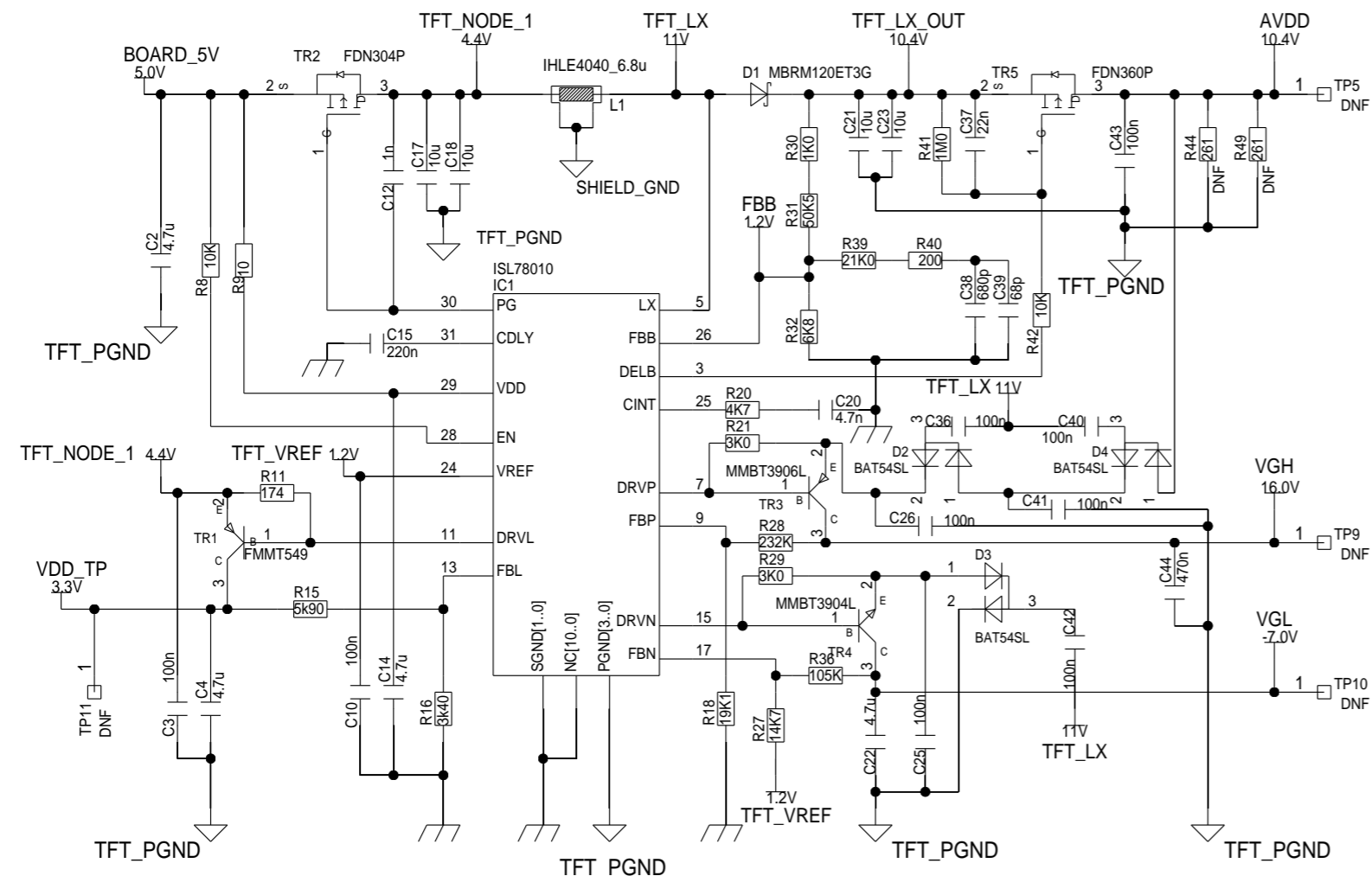
RGB to Digital Video



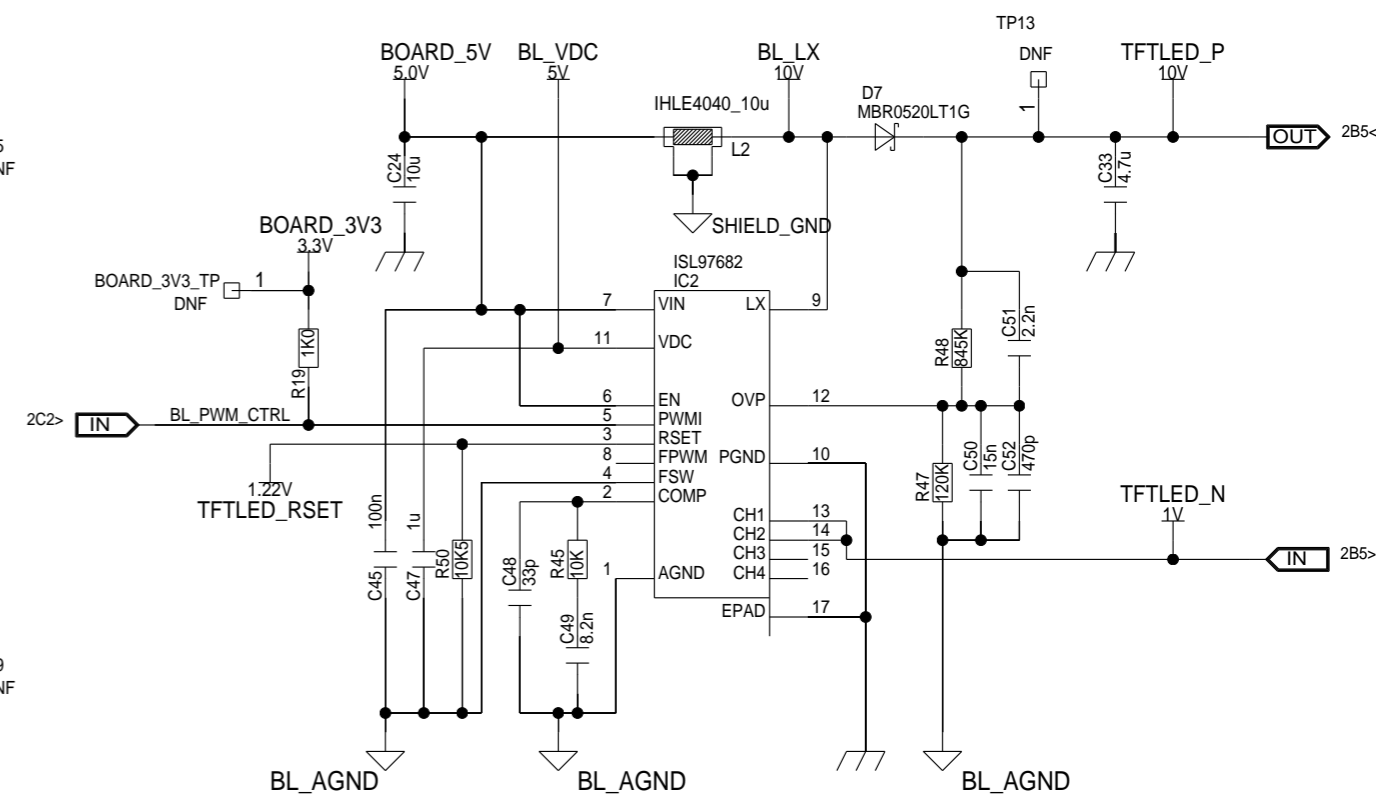
RENESAS Electronics Europe GmbH
 Title RSK+RZA1H LCD Board V4
 Size A3 Document Number D012226_04
 Date: Thu Dec 05 12:21:46 2019 PAGE 3 OF 4 4.00

Power Supply

TFT Power

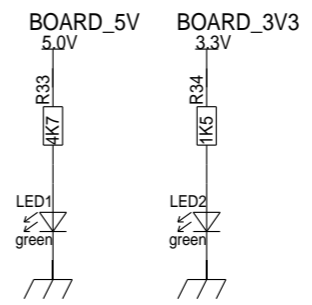


Backlight Power



Note:
The RSET resistor controls the backlight LED current and must be changed if a panel other than the ER-TFT070-2 is used.
If GWP0700CNWV04 is to be used, the RSET resistor should be 4k32.

Power LEDs



RENESAS Electronics Europe GmbH	
Title RSK+RZA1H LCD Board V4	
Size A3	Document Number D012226_04
Date: Thu Dec 05 11:55:42 2019	PAGE 4 OF 4 4.00