

# Renesas Starter Kit for RX24U

## CPU Board Schematics

REV	REF	DATE	DRAWN BY
1.00	Release	20.01.2017	YUO

PAGE	DESCRIPTION
1	INDEX
2	RX24U Microcontroller
3	MCU Pin Function Select
4	PSU
5	E1/E2 Lite, MCU Mode Setting
6	Reset, Switches, LEDs
7	USB to Serial Interface
8	Pmod Interface, IIC EEPROM
9	Application Headers
10	Microcontroller Pin Headers
11	CAN

### Note:

C : Capacitor  
D : Diode  
R : Fixed Resistor  
RV : Potentiometer  
U : Integrated Circuit  
X : Crystal, Oscillator  
RES : Reset Switch  
SW : Switch  
LED : Light Emitting Diode  
PWR : Power Jack  
J : Connector, Jumper

\* "DNF" marking means that component is not fitted by default.

### Board Code:

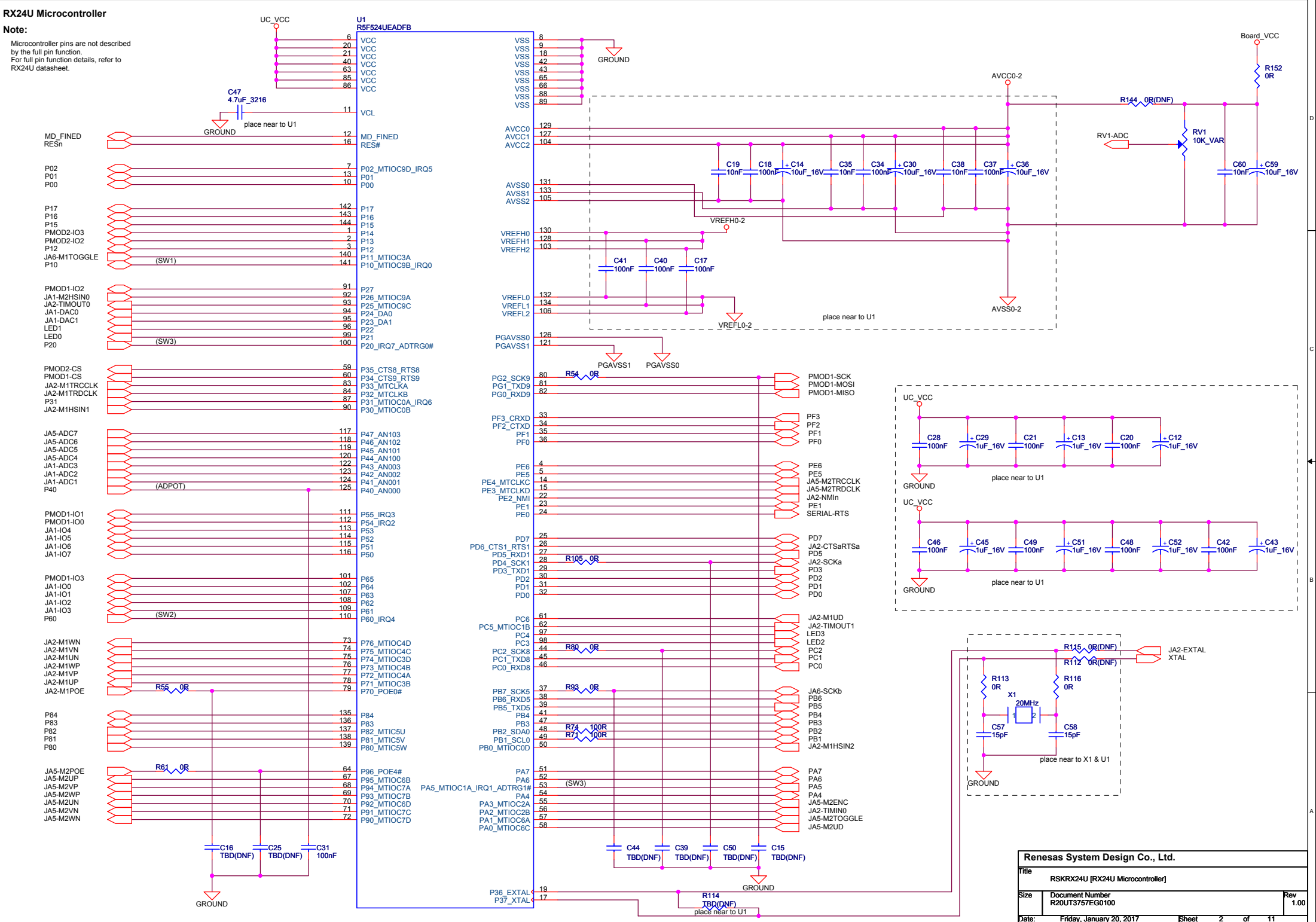
RTK500524UC00000BE : MP Board

REEL Drawing No. D014732\_04

Renesas System Design Co., Ltd.			
Title		RSKR24U [Index]	
Size	Document Number	Rev	
	R20UT3757EG0100	1.00	
Date:	Friday, January 20, 2017	Sheet	1 of 11

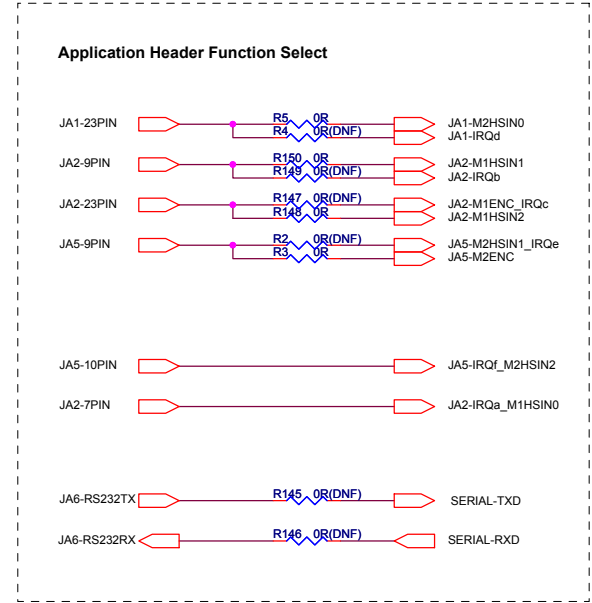
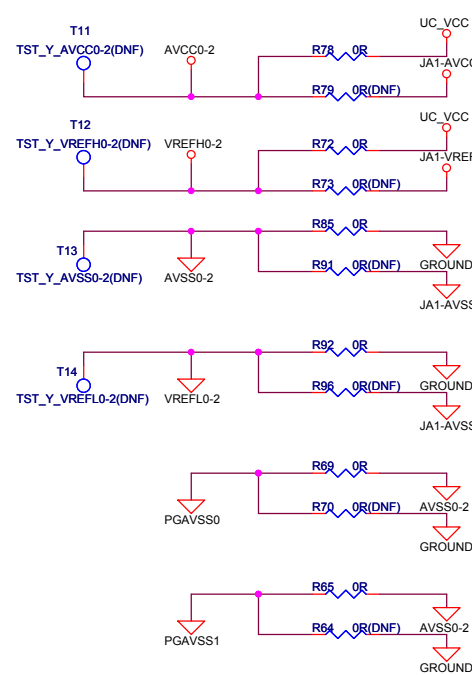
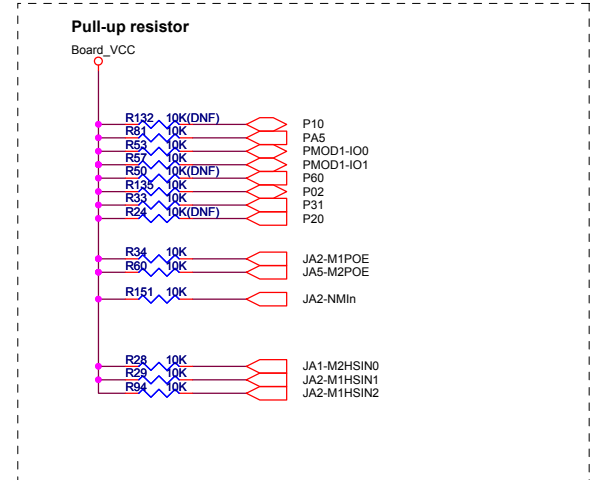
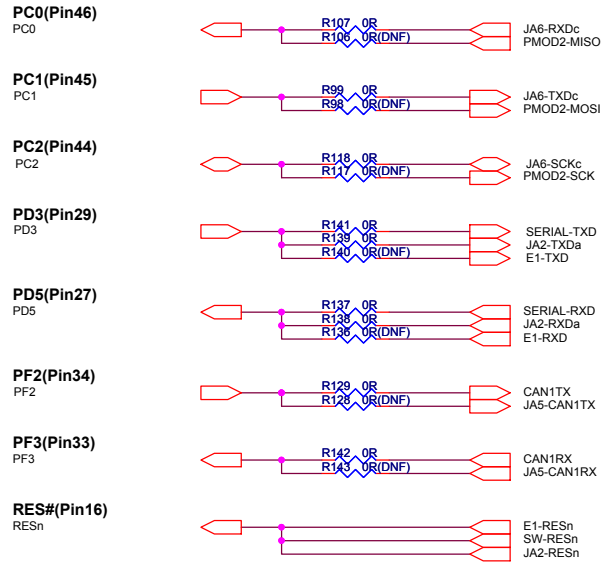
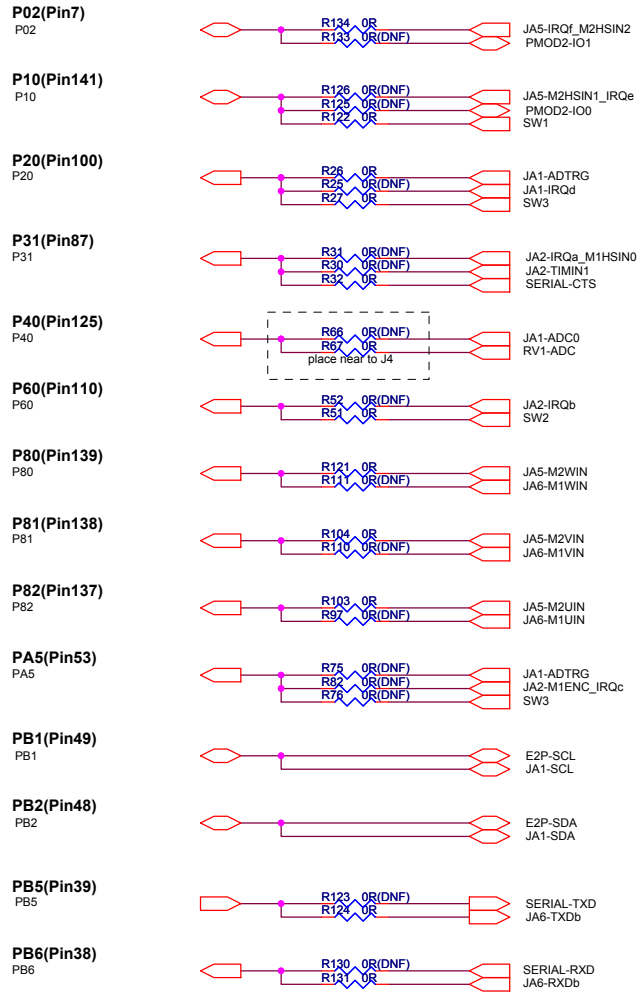
# RX24U Microcontroller

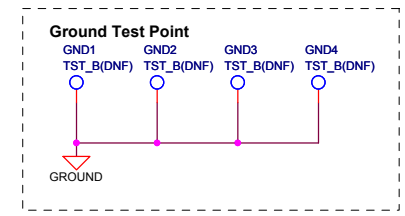
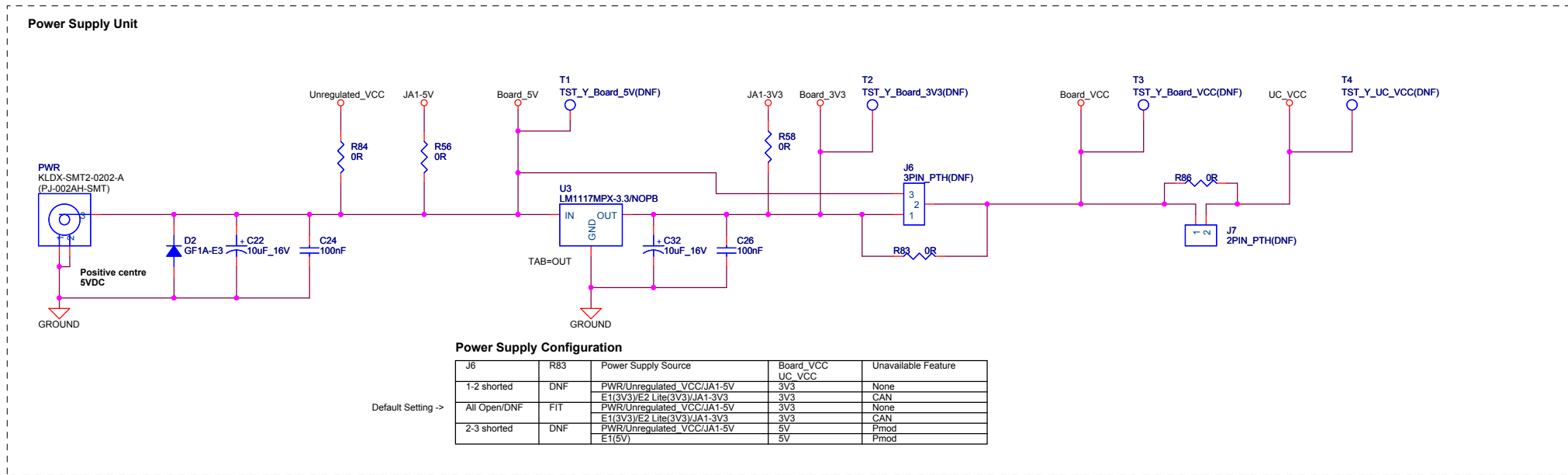
**Note:**  
 Microcontroller pins are not described by the full pin function.  
 For full pin function details, refer to RX24U datasheet.



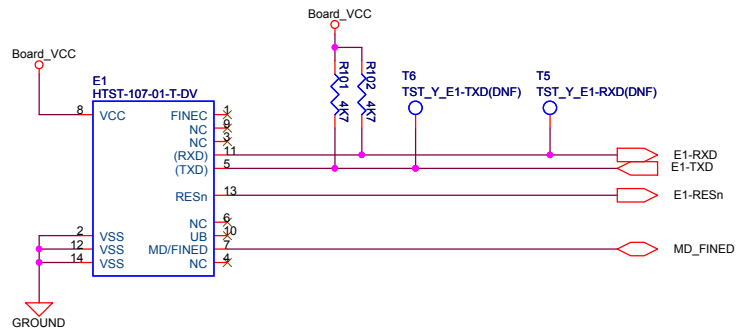
<b>Renesas System Design Co., Ltd.</b>		
Title	RSKR24U [RX24U Microcontroller]	
Size	Document Number	Rev
	R20UT3757EG0100	1.00
Date:	Friday, January 20, 2017	Sheet 2 of 11

MCU Pin Function Select



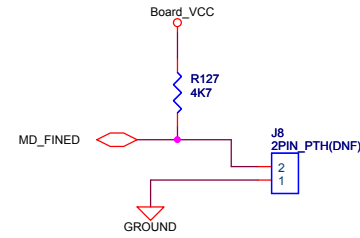


**E1/E2 Lite**

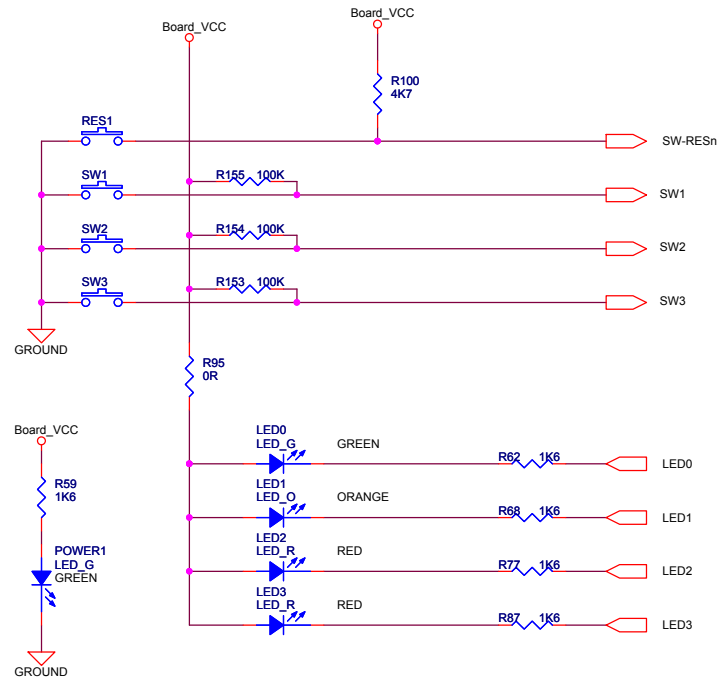


**MCU Operating Mode Configuration**

J8	Operating Mode
Open	Single Chip Mode
Shorted Pin	Boot Mode (SCI)



Switches, LEDs, RESET

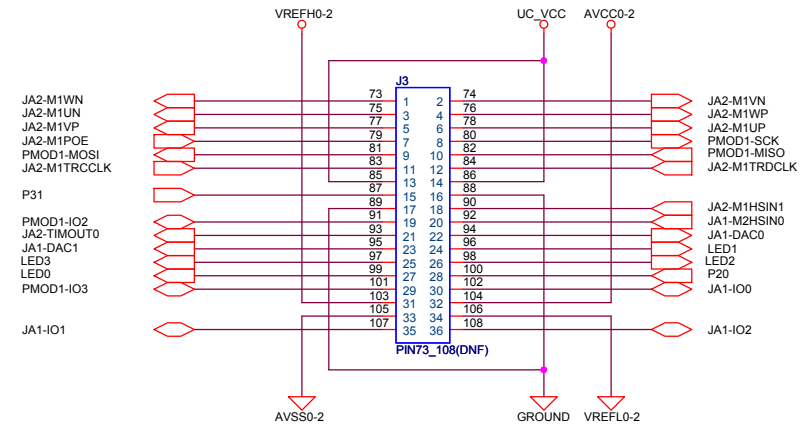
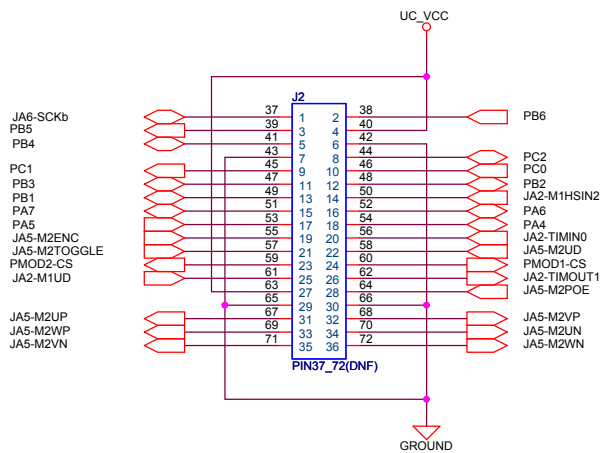
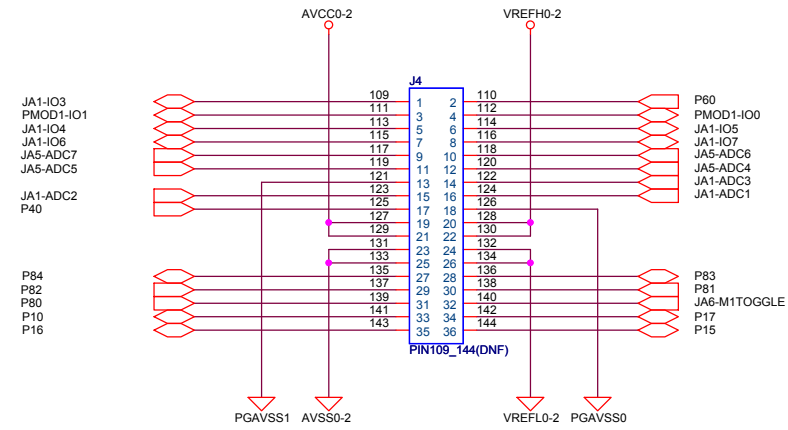
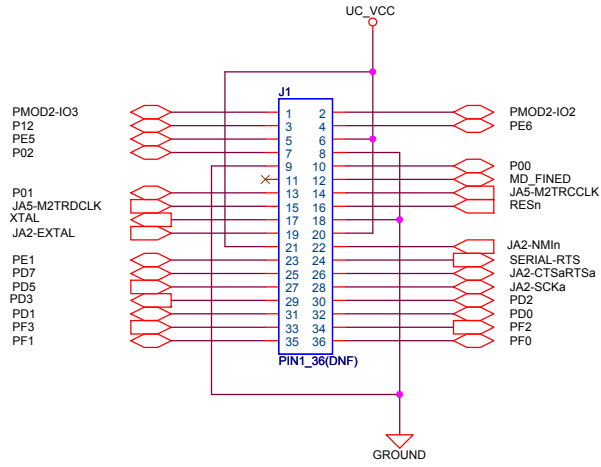


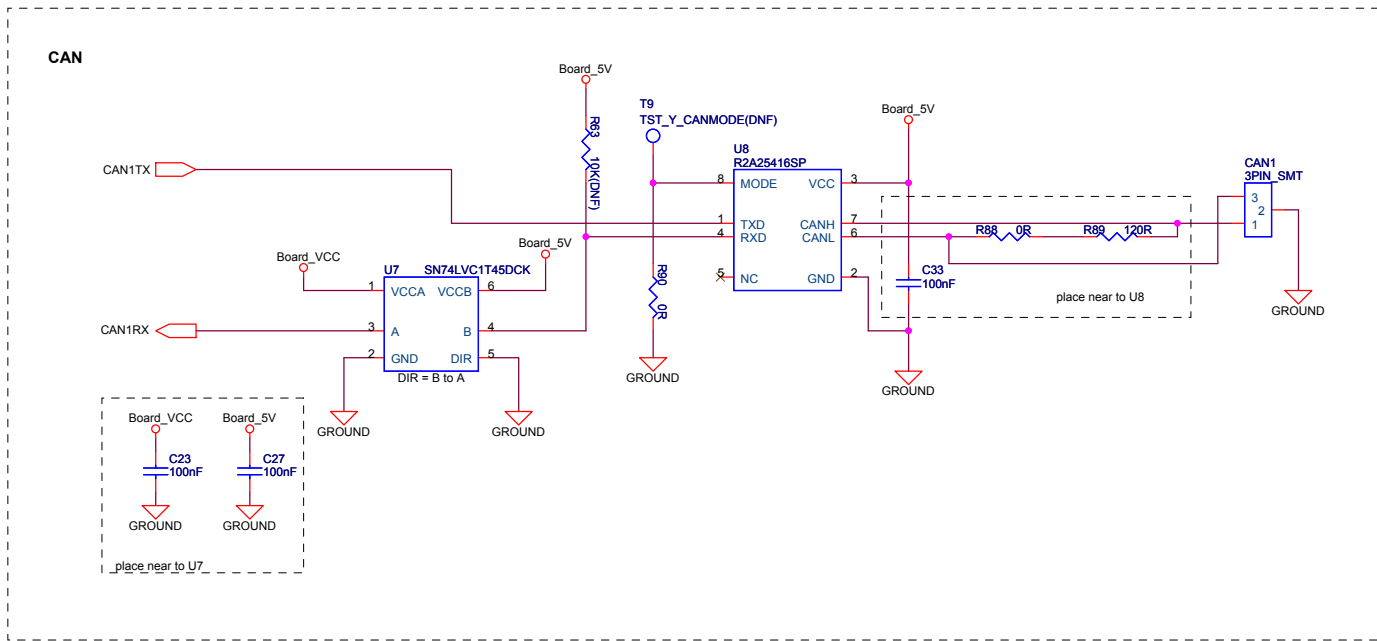












# Revision History

REV	DATE	PAGE	DESCRIPTION
1.00	20.01.2017	---	1st release edition.

<b>Renesas System Design Co., Ltd.</b>			
Title		RSKRX24U [Revision History]	
Size	Document Number	Rev	
	R20UT3757EG0100	1.00	
Date:	Friday, January 20, 2017	Sheet	X of X