

To our customers,

---

## Old Company Name in Catalogs and Other Documents

---

On April 1<sup>st</sup>, 2010, NEC Electronics Corporation merged with Renesas Technology Corporation, and Renesas Electronics Corporation took over all the business of both companies. Therefore, although the old company name remains in this document, it is a valid Renesas Electronics document. We appreciate your understanding.

Renesas Electronics website: <http://www.renesas.com>

April 1<sup>st</sup>, 2010  
Renesas Electronics Corporation

Issued by: Renesas Electronics Corporation (<http://www.renesas.com>)

Send any inquiries to <http://www.renesas.com/inquiry>.

## Notice

1. All information included in this document is current as of the date this document is issued. Such information, however, is subject to change without any prior notice. Before purchasing or using any Renesas Electronics products listed herein, please confirm the latest product information with a Renesas Electronics sales office. Also, please pay regular and careful attention to additional and different information to be disclosed by Renesas Electronics such as that disclosed through our website.
2. Renesas Electronics does not assume any liability for infringement of patents, copyrights, or other intellectual property rights of third parties by or arising from the use of Renesas Electronics products or technical information described in this document. No license, express, implied or otherwise, is granted hereby under any patents, copyrights or other intellectual property rights of Renesas Electronics or others.
3. You should not alter, modify, copy, or otherwise misappropriate any Renesas Electronics product, whether in whole or in part.
4. Descriptions of circuits, software and other related information in this document are provided only to illustrate the operation of semiconductor products and application examples. You are fully responsible for the incorporation of these circuits, software, and information in the design of your equipment. Renesas Electronics assumes no responsibility for any losses incurred by you or third parties arising from the use of these circuits, software, or information.
5. When exporting the products or technology described in this document, you should comply with the applicable export control laws and regulations and follow the procedures required by such laws and regulations. You should not use Renesas Electronics products or the technology described in this document for any purpose relating to military applications or use by the military, including but not limited to the development of weapons of mass destruction. Renesas Electronics products and technology may not be used for or incorporated into any products or systems whose manufacture, use, or sale is prohibited under any applicable domestic or foreign laws or regulations.
6. Renesas Electronics has used reasonable care in preparing the information included in this document, but Renesas Electronics does not warrant that such information is error free. Renesas Electronics assumes no liability whatsoever for any damages incurred by you resulting from errors in or omissions from the information included herein.
7. Renesas Electronics products are classified according to the following three quality grades: “Standard”, “High Quality”, and “Specific”. The recommended applications for each Renesas Electronics product depends on the product’s quality grade, as indicated below. You must check the quality grade of each Renesas Electronics product before using it in a particular application. You may not use any Renesas Electronics product for any application categorized as “Specific” without the prior written consent of Renesas Electronics. Further, you may not use any Renesas Electronics product for any application for which it is not intended without the prior written consent of Renesas Electronics. Renesas Electronics shall not be in any way liable for any damages or losses incurred by you or third parties arising from the use of any Renesas Electronics product for an application categorized as “Specific” or for which the product is not intended where you have failed to obtain the prior written consent of Renesas Electronics. The quality grade of each Renesas Electronics product is “Standard” unless otherwise expressly specified in a Renesas Electronics data sheets or data books, etc.
  - “Standard”: Computers; office equipment; communications equipment; test and measurement equipment; audio and visual equipment; home electronic appliances; machine tools; personal electronic equipment; and industrial robots.
  - “High Quality”: Transportation equipment (automobiles, trains, ships, etc.); traffic control systems; anti-disaster systems; anti-crime systems; safety equipment; and medical equipment not specifically designed for life support.
  - “Specific”: Aircraft; aerospace equipment; submersible repeaters; nuclear reactor control systems; medical equipment or systems for life support (e.g. artificial life support devices or systems), surgical implantations, or healthcare intervention (e.g. excision, etc.), and any other applications or purposes that pose a direct threat to human life.
8. You should use the Renesas Electronics products described in this document within the range specified by Renesas Electronics, especially with respect to the maximum rating, operating supply voltage range, movement power voltage range, heat radiation characteristics, installation and other product characteristics. Renesas Electronics shall have no liability for malfunctions or damages arising out of the use of Renesas Electronics products beyond such specified ranges.
9. Although Renesas Electronics endeavors to improve the quality and reliability of its products, semiconductor products have specific characteristics such as the occurrence of failure at a certain rate and malfunctions under certain use conditions. Further, Renesas Electronics products are not subject to radiation resistance design. Please be sure to implement safety measures to guard them against the possibility of physical injury, and injury or damage caused by fire in the event of the failure of a Renesas Electronics product, such as safety design for hardware and software including but not limited to redundancy, fire control and malfunction prevention, appropriate treatment for aging degradation or any other appropriate measures. Because the evaluation of microcomputer software alone is very difficult, please evaluate the safety of the final products or system manufactured by you.
10. Please contact a Renesas Electronics sales office for details as to environmental matters such as the environmental compatibility of each Renesas Electronics product. Please use Renesas Electronics products in compliance with all applicable laws and regulations that regulate the inclusion or use of controlled substances, including without limitation, the EU RoHS Directive. Renesas Electronics assumes no liability for damages or losses occurring as a result of your noncompliance with applicable laws and regulations.
11. This document may not be reproduced or duplicated, in any form, in whole or in part, without prior written consent of Renesas Electronics.
12. Please contact a Renesas Electronics sales office if you have any questions regarding the information contained in this document or Renesas Electronics products, or if you have any other inquiries.

(Note 1) “Renesas Electronics” as used in this document means Renesas Electronics Corporation and also includes its majority-owned subsidiaries.

(Note 2) “Renesas Electronics product(s)” means any product developed or manufactured by or for Renesas Electronics.

## 1. Overview

### 1.1 Features

The R8C/L35A Group, R8C/L36A Group, R8C/L38A Group, R8C/L3AA Group, R8C/L35B Group, R8C/L36B Group, R8C/L38B Group, and R8C/L3AB Group of single-chip MCUs incorporate the R8C CPU core, which implements a powerful instruction set for a high level of efficiency and supports a 1 Mbyte address space, allowing execution of instructions at high speed. In addition, the CPU core integrates a multiplier for high-speed operation processing.

Power consumption is low, and the supported operating modes allow additional power control. These MCUs are designed to maximize EMI/EMS performance.

Integration of many peripheral functions, including multifunction timer and serial interface, helps reduce the number of system components.

The R8C/L35A Group, R8C/L36A Group, R8C/L38A Group, and R8C/L3AA Group have data flash (1 KB × 4 blocks) with the background operation (BGO) function.

#### 1.1.1 Applications

Household appliances, office equipment, audio equipment, consumer products, etc.

## 1.1.2 Differences between Groups

Tables 1.1 and 1.2 list the differences between the groups, Table 1.3 lists the I/O ports provided for each group, and Table 1.4 lists the LCD Display Function Pins Provided for Each Group. Figures 1.13 to 1.17 show the pin assignment for each group, and Tables 1.8 to 1.15 list product information.

The explanations in the chapters which follow apply to the R8C/L3AA Group only. Note the differences shown below.

**Table 1.1 Differences between Groups (1)**

Item	Function	R8C/L35A Group, R8C/L36A Group R8C/L38A Group, R8C/L3AA Group	R8C/L35B Group, R8C/L36B Group R8C/L38B Group, R8C/L3AB Group
Data flash	1 KB × 4 blocks with BGO (background operation) function	Provided	Not provided

**Table 1.2 Differences between Groups (2)**

Item	Function	R8C/L35A Group R8C/L35B Group	R8C/L36A Group R8C/L36B Group	R8C/L38A Group R8C/L38B Group	R8C/L3AA Group R8C/L3AB Group
I/O Ports	Programmable I/O ports	41 pins	52 pins	68 pins	88 pins
	High current drive ports	5 pins	8 pins	8 pins	16 pins
Interrupts	$\overline{\text{INT}}$ interrupt pins	5 pins	8 pins	8 pins	8 pins
	Key input interrupt pins	4 pins	4 pins	8 pins	8 pins
Timers	Timer RA pins (I/O: 1, output: 1)	1 pin (I/O pin only)	2 pins	2 pins	2 pins
	Timer RB pin (output: 1)	None	1 pin	1 pin	1 pin
	Timer RD pin (I/O: 8)	None	None	8 pins	8 pins
	Timer RE pin (output: 1)	None	1 pin	1 pin	1 pin
	Timer RG pin (I/O: 2, output: 2)	None	None	None	4 pins
A/D Converter	Analog input pin	10 pins	10 pins	16 pins	20 pins
LCD Drive Control Circuit	LCD power supply	3 pins (VL1, VL2, VL4)	4 pins (VL1 to VL4)	4 pins (VL1 to VL4)	4 pins (VL1 to VL4)
	Common output pins	Max. 4 pins	Max. 8 pins	Max. 8 pins	Max. 8 pins
	Segment output pins	Max. 24 pins	Max. 32 pins	Max. 48 pins	Max. 56 pins
Other Pin Function	$\overline{\text{WKUP1}}$	Not supported	Not supported	Supported	Supported
Packages		52-pin LQFP	64-pin LQFP	80-pin LQFP	100-pin LQFP/ 100-pin QFP

Note:

- I/O ports are shared with I/O functions, such as interrupts or timers. Refer to Tables 1.16 to 1.18, Pin Name Information by Pin Number, for details.

**Table 1.3 Programmable I/O Ports Provided for Each Group**

Programmable I/O Port	R8C/L35A Group R8C/L35B Group Total: 41 I/O pins								R8C/L36A Group R8C/L36B Group Total: 52 I/O pins								R8C/L38A Group R8C/L38B Group Total: 68 I/O pins								R8C/L3AA Group R8C/L3AB Group Total: 88 I/O pins							
	bit 7	bit 6	bit 5	bit 4	bit 3	bit 2	bit 1	bit 0	bit 7	bit 6	bit 5	bit 4	bit 3	bit 2	bit 1	bit 0	bit 7	bit 6	bit 5	bit 4	bit 3	bit 2	bit 1	bit 0	bit 7	bit 6	bit 5	bit 4	bit 3	bit 2	bit 1	bit 0
P0	✓	✓	✓	✓	✓	✓	✓	✓	✓	✓	✓	✓	✓	✓	✓	✓	✓	✓	✓	✓	✓	✓	✓	✓	✓	✓	✓	✓	✓	✓		
P1	-	-	-	-	-	-	-	-	-	-	-	-	-	-	-	-	-	-	-	-	-	-	-	-	-	-	-	-	-	-		
P2	✓	✓	✓	✓	-	-	-	-	✓	✓	✓	✓	-	-	-	-	✓	✓	✓	✓	✓	✓	✓	✓	✓	✓	✓	✓	✓	✓		
P3	-	-	-	-	✓	✓	✓	✓	✓	✓	✓	✓	✓	✓	✓	✓	✓	✓	✓	✓	✓	✓	✓	✓	✓	✓	✓	✓	✓	✓		
P4	✓	✓	✓	✓	✓	✓	✓	✓	✓	✓	✓	✓	✓	✓	✓	✓	✓	✓	✓	✓	✓	✓	✓	✓	✓	✓	✓	✓	✓	✓		
P5	-	-	-	-	-	-	-	-	-	-	-	-	-	-	-	-	-	-	-	-	-	-	-	-	-	-	-	-	-	-		
P6	-	-	-	-	-	-	-	-	-	-	-	-	-	-	-	-	✓	✓	✓	✓	✓	✓	✓	✓	✓	✓	✓	✓	✓	✓		
P7	✓	✓	✓	✓	-	-	-	-	✓	✓	✓	✓	✓	✓	✓	✓	✓	✓	✓	✓	✓	✓	✓	✓	✓	✓	✓	✓	✓	✓		
P10	-	-	-	-	-	-	-	-	-	-	-	-	-	-	-	-	-	-	-	-	-	-	-	-	-	-	-	-	-	-		
P11	-	-	-	✓	✓	✓	✓	✓	✓	✓	✓	✓	✓	✓	✓	✓	✓	✓	✓	✓	✓	✓	✓	✓	✓	✓	✓	✓	✓	✓		
P12	-	-	-	-	✓	✓	✓	✓	-	-	-	-	✓	✓	✓	✓	-	-	-	✓	✓	✓	✓	✓	✓	✓	✓	✓	✓	✓		
P13	-	-	-	-	✓	✓	✓	✓	-	-	-	-	✓	✓	✓	✓	-	-	-	✓	✓	✓	✓	✓	✓	✓	✓	✓	✓	✓		

Notes:

- The symbol “✓” indicates a programmable I/O port.
- The symbol “-” indicates the settings should be made as follows:
  - Set 1 to the corresponding PDi (i = 0 to 7 and 10 to 13) register. When read, the content is 1.
  - Set 0 to the corresponding Pi (i = 0 to 7 and 10 to 13) register. When read, the content is 0.
  - Set 0 to the corresponding P10DRR or P11DRR register. When read, the content is 0.

**Table 1.4 LCD Display Function Pins Provided for Each Group**

Shared I/O Port	L35A, L35B Group Common output: Max. 4 Segment output: Max. 24								L36A, L36B Group Common output: Max. 8 Segment output: Max. 32								L38A, L38B Group Common output: Max. 8 Segment output: Max. 48								L3AA, L3AB Group Common output: Max. 8 Segment output: Max. 56												
	SEG 7	SEG 6	SEG 5	SEG 4	SEG 3	SEG 2	SEG 1	SEG 0	SEG 7	SEG 6	SEG 5	SEG 4	SEG 3	SEG 2	SEG 1	SEG 0	SEG 7	SEG 6	SEG 5	SEG 4	SEG 3	SEG 2	SEG 1	SEG 0	SEG 7	SEG 6	SEG 5	SEG 4	SEG 3	SEG 2	SEG 1	SEG 0					
P0	-	-	-	-	-	-	-	-	-	-	-	-	-	-	-	-	-	-	-	-	-	-	-	-	-	-	-	-	-	-							
P1	-	-	-	-	-	-	-	-	-	-	-	-	-	-	-	-	-	-	-	-	SEG 11	SEG 10	SEG 9	SEG 8	SEG 15	SEG 14	SEG 13	SEG 12	SEG 11	SEG 10	SEG 9	SEG 8					
P2	SEG 23	SEG 22	SEG 21	SEG 20	-	-	-	-	SEG 23	SEG 22	SEG 21	SEG 20	-	-	-	-	SEG 23	SEG 22	SEG 21	SEG 20	SEG 19	SEG 18	SEG 17	SEG 16	SEG 23	SEG 22	SEG 21	SEG 20	SEG 19	SEG 18	SEG 17	SEG 16					
P3	-	-	-	-	SEG 27	SEG 26	SEG 25	SEG 24	SEG 31	SEG 30	SEG 29	SEG 28	SEG 27	SEG 26	SEG 25	SEG 24	SEG 31	SEG 30	SEG 29	SEG 28	SEG 27	SEG 26	SEG 25	SEG 24	SEG 31	SEG 30	SEG 29	SEG 28	SEG 27	SEG 26	SEG 25	SEG 24					
P4	SEG 39	SEG 38	SEG 37	SEG 36	SEG 35	SEG 34	SEG 33	SEG 32	SEG 39	SEG 38	SEG 37	SEG 36	SEG 35	SEG 34	SEG 33	SEG 32	SEG 39	SEG 38	SEG 37	SEG 36	SEG 35	SEG 34	SEG 33	SEG 32	SEG 39	SEG 38	SEG 37	SEG 36	SEG 35	SEG 34	SEG 33	SEG 32					
P5	-	-	-	-	-	-	-	-	-	-	-	-	-	-	-	-	-	-	-	-	-	-	-	-	-	-	-	-	-	-	-	-	SEG 43	SEG 42	SEG 41	SEG 40	
P6	-	-	-	-	-	-	-	-	-	-	-	-	-	-	-	-	SEG 51	SEG 50	SEG 49	SEG 48	SEG 47	SEG 46	SEG 45	SEG 44	SEG 51	SEG 50	SEG 49	SEG 48	SEG 47	SEG 46	SEG 45	SEG 44					
P7	COM 0	COM 1	COM 2	COM 3	-	-	-	-	COM 0	COM 1	COM 2	COM 3	SEG 55	SEG 54	SEG 53	SEG 52	COM 0	COM 1	COM 2	COM 3	SEG 55	SEG 54	SEG 53	SEG 52	COM 0	COM 1	COM 2	COM 3	SEG 55	SEG 54	SEG 53	SEG 52					
P12	-	-	-	-	CL2	CL1	-	-	-	-	-	-	CL2	CL1	-	-	-	-	-	-	-	-	-	-	-	-	-	-	-	-	-	-	-	CL2	CL1	-	-
-	VL1								VL1								VL1								VL1												
-	VL2								VL2								VL2								VL2												
-	-								VL3								VL3								VL3												
-	VL4								VL4								VL4								VL4												

Notes:

- The symbol “-” indicates there is no LCD display function. Select the I/O port function with registers LSE1 to LSE7 for these pins.
- SEG52 to SEG55 can be used as COM7 to COM4.
- The R8C/L35A Group and R8C/L35B Group do not have the VL3 pin.  
 The available bias settings are 1/3 bias, 1/2 bias, or static.

### 1.1.3 Specifications

Tables 1.5 to 1.7 list the specifications.

**Table 1.5 Specifications (1)**

Item	Function	Specification	
CPU	Central processing unit	R8C CPU core <ul style="list-style-type: none"> <li>• Number of fundamental instructions: 89</li> <li>• Minimum instruction execution time:                             <ul style="list-style-type: none"> <li>50 ns (f(XIN) = 20 MHz, VCC = 2.7 to 5.5 V)</li> <li>200 ns (f(XIN) = 5 MHz, VCC = 1.8 to 5.5 V)</li> </ul> </li> <li>• Multiplier: 16 bits × 16 bits → 32 bits</li> <li>• Multiply-accumulate instruction: 16 bits × 16 bits + 32 bits → 32 bits</li> <li>• Operating mode: Single-chip mode (address space: 1 Mbyte)</li> </ul>	
Memory	ROM/RAM Data flash	Refer to Tables 1.8 to 1.15 Product Lists.	
Power Supply Voltage Detection	Voltage detection circuit	<ul style="list-style-type: none"> <li>• Power-on reset</li> <li>• Voltage detection 3 (detection level of voltage detection 0 and voltage detection 1 selectable)</li> </ul>	
I/O Ports	Programmable I/O ports	R8C/L35A Group	<ul style="list-style-type: none"> <li>• CMOS I/O ports: 41, selectable pull-up resistor</li> <li>• High current drive ports: 5</li> </ul>
		R8C/L35B Group	
		R8C/L36A Group	<ul style="list-style-type: none"> <li>• CMOS I/O ports: 52, selectable pull-up resistor</li> <li>• High current drive ports: 8</li> </ul>
		R8C/L36B Group	
		R8C/L38A Group	<ul style="list-style-type: none"> <li>• CMOS I/O ports: 68, selectable pull-up resistor</li> <li>• High current drive ports: 8</li> </ul>
R8C/L38B Group			
R8C/L3AA Group	<ul style="list-style-type: none"> <li>• CMOS I/O ports: 88, selectable pull-up resistor</li> <li>• High current drive ports: 16</li> </ul>		
R8C/L3AB Group			
Clock	Clock generation circuits	4 circuits: XIN clock oscillation circuit XCIN clock oscillation circuit (32 kHz) High-speed on-chip oscillator (with frequency adjustment function) Low-speed on-chip oscillator	
		<ul style="list-style-type: none"> <li>• Oscillation stop detection:                             <ul style="list-style-type: none"> <li>XIN clock oscillation stop detection function</li> </ul> </li> <li>• Frequency divider circuit:                             <ul style="list-style-type: none"> <li>Division ratio selectable from 1, 2, 4, 8, and 16</li> </ul> </li> <li>• Low-power-consumption modes:                             <ul style="list-style-type: none"> <li>Standard operating mode (high-speed clock, low-speed clock, high-speed on-chip oscillator, low-speed on-chip oscillator), wait mode, stop mode, power-off mode</li> </ul> </li> </ul>	
Interrupts		Real-time clock (timer RE)	
		R8C/L35A Group	<ul style="list-style-type: none"> <li>• Number of interrupt vectors: 69</li> <li>• External Interrupt: 9 (INT × 5, key input × 4)</li> <li>• Priority levels: 7 levels</li> </ul>
		R8C/L35B Group	
		R8C/L36A Group	<ul style="list-style-type: none"> <li>• Number of interrupt vectors: 69</li> <li>• External Interrupt: 12 (INT × 8, key input × 4)</li> <li>• Priority levels: 7 levels</li> </ul>
R8C/L36B Group			
R8C/L38A Group	<ul style="list-style-type: none"> <li>• Number of interrupt vectors: 69</li> <li>• External Interrupt: 16 (INT × 8, key input × 8)</li> <li>• Priority levels: 7 levels</li> </ul>		
R8C/L38B Group			
R8C/L3AA Group	<ul style="list-style-type: none"> <li>• Number of interrupt vectors: 69</li> <li>• External Interrupt: 16 (INT × 8, key input × 8)</li> <li>• Priority levels: 7 levels</li> </ul>		
R8C/L3AB Group			
Watchdog Timer		<ul style="list-style-type: none"> <li>• 14 bits × 1 (with prescaler)</li> <li>• Selectable reset start function</li> <li>• Selectable low-speed on-chip oscillator for watchdog timer</li> </ul>	
DTC (Data Transfer Controller)		<ul style="list-style-type: none"> <li>• 1 channel</li> <li>• Activation sources: 38</li> <li>• Transfer modes: 2 (normal mode, repeat mode)</li> </ul>	

**Table 1.6 Specifications (2)**

Item	Function	Specification	
Timer	Timer RA	8 bits × 1 (with 8-bit prescaler) Timer mode (period timer), pulse output mode (output level inverted every period), event counter mode, pulse width measurement mode, pulse period measurement mode	
	Timer RB	8 bits × 1 (with 8-bit prescaler) Timer mode (period timer), programmable waveform generation mode (PWM output), programmable one-shot generation mode, programmable wait one-shot generation mode	
	Timer RC	16 bits × 1 (with 4 capture/compare registers) Timer mode (input capture function, output compare function), PWM mode (output: 3 pins), PWM2 mode (PWM output: 1 pin)	
	Timer RD	16 bits × 2 (with 4 capture/compare registers) Timer mode (input capture function, output compare function), PWM mode (output: 6 pins), reset synchronous PWM mode (three-phase waveform output: 6 pins, sawtooth wave modulation), complementary PWM mode (three-phase waveform output: 6 pins, triangular wave modulation), PWM3 mode (PWM output with fixed period: 2 pins)	
	Timer RE	8 bits × 1 Real-time clock mode (counting of seconds, minutes, hours, days of week), output compare mode	
	Timer RG	16 bits × 1 Phase-counting mode, timer mode (output compare function, input capture function), PWM mode (output: 1 pin)	
Serial Interface	UART0, UART1	Clock synchronous serial I/O/UART × 2 channels	
	UART2	Clock synchronous serial I/O/UART, I <sup>2</sup> C mode (I <sup>2</sup> C-bus), multiprocessor communication function	
Synchronous Serial Communication Unit (SSU)		1 (shared with I <sup>2</sup> C-bus)	
I <sup>2</sup> C bus		1 (shared with SSU)	
LIN Module		Hardware LIN: 1 channel (timer RA, UART0 used)	
A/D Converter	R8C/L35A Group R8C/L35B Group	10-bit resolution × 10 channels, including sample and hold function, with sweep mode	
	R8C/L36A Group R8C/L36B Group	10-bit resolution × 10 channels, including sample and hold function, with sweep mode	
	R8C/L38A Group R8C/L38B Group	10-bit resolution × 16 channels, including sample and hold function, with sweep mode	
	R8C/L3AA Group R8C/L3AB Group	10-bit resolution × 20 channels, including sample and hold function, with sweep mode	
	D/A Converter		8-bit resolution × 2 circuits
Comparator A		<ul style="list-style-type: none"> <li>• 2 circuits (shared with voltage monitor 1 and voltage monitor 2)</li> <li>• External reference voltage input available</li> </ul>	
Comparator B		2 circuits	
LCD Drive Control Circuit	R8C/L35A Group R8C/L35B Group	Common output: Max. 4 pins Segment output: Max. 24 pins	Bias: 1/2, 1/3 Duty: static, 1/2, 1/3, 1/4
	R8C/L36A Group R8C/L36B Group	Common output: Max. 8 pins Segment output: Max. 32 pins <sup>(1)</sup>	Bias: 1/2, 1/3, 1/4 Duty: static, 1/2, 1/3, 1/4, 1/8
	R8C/L38A Group R8C/L38B Group	Common output: Max. 8 pins Segment output: Max. 48 pins <sup>(1)</sup>	
	R8C/L3AA Group R8C/L3AB Group	Common output: Max. 8 pins Segment output: Max. 56 pins <sup>(1)</sup>	
	Voltage multiplier and dedicated regulator integrated		

Note:

1. This applies when four pins are selected for common output.

**Table 1.7 Specifications (2)**

Item	Function	Specification
Flash Memory	R8C/L35A Group R8C/L36A Group R8C/L38A Group R8C/L3AA Group	<ul style="list-style-type: none"> <li>• Programming and erasure voltage: VCC = 2.7 to 5.5 V</li> <li>• Programming and erasure endurance: 10,000 times (data flash) 1,000 times (program ROM)</li> <li>• Program security: ROM code protect, ID code check</li> <li>• Debug functions: On-chip debug, on-board flash rewrite function</li> <li>• Background operation (BGO) function</li> </ul>
	R8C/L35B Group R8C/L36B Group R8C/L38B Group R8C/L3AB Group	<ul style="list-style-type: none"> <li>• Programming and erasure voltage: VCC = 2.7 to 5.5 V</li> <li>• Programming and erasure endurance: 1,000 times</li> <li>• Program security: ROM code protect, ID code check</li> <li>• Debug functions: On-chip debug, on-board flash rewrite function</li> </ul>
Operating Frequency/ Supply Voltage		f(XIN) = 20 MHz (VCC = 2.7 to 5.5 V) f(XIN) = 5 MHz (VCC = 1.8 to 5.5 V)
Current Consumption		Typ. 7 mA (VCC = 5.0 V, f(XIN) = 20 MHz) Typ. 3.6 mA (VCC = 3.0 V, f(XIN) = 10 MHz) Typ. 3.5 μA (VCC = 3.0 V, wait mode (f(XCIN) = 32 kHz)) Typ. 2 μA (VCC = 3.0 V, stop mode) Typ. 1 μA (VCC = 3.0 V, power-off mode, timer RE enabled) Typ. 0.02 μA (VCC = 3.0 V, power-off mode, timer RE disabled)
Operating Ambient Temperature		-20 to 85°C (N version) -40 to 85°C (D version) <sup>(1)</sup>

Note:

1. Specify the D version if D version functions are to be used.



## 1.2 Product Lists

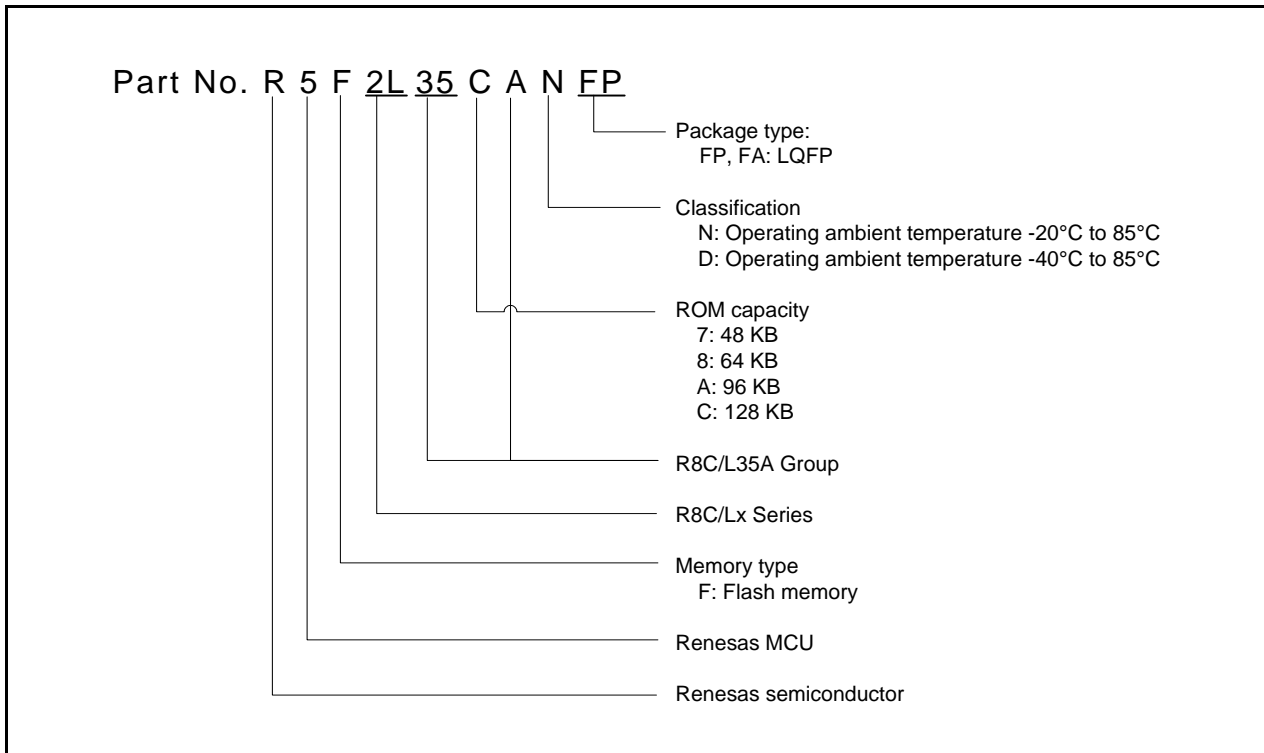
Tables 1.8 to 1.15 list product information for each group. Figure 1.1 to 1.8 show the Correspondence of Part No., with Memory Size and Package of R8C/Lx Group.

**Table 1.8 Product List for R8C/L35A Group**

**Current of Jan 2009**

Part No.	Internal ROM Capacity		Internal RAM Capacity	Package Type	Remarks
	Program ROM	Data Flash			
R5F2L357ANFP (D)	48 Kbytes	1 Kbyte × 4	6 Kbytes	PLQP0052JA-A	N Version
R5F2L358ANFP (D)	64 Kbytes	1 Kbyte × 4	8 Kbytes	PLQP0052JA-A	
R5F2L35AANFP (D)	96 Kbytes	1 Kbyte × 4	10 Kbytes	PLQP0052JA-A	
R5F2L35CANFP (D)	128 Kbytes	1 Kbyte × 4	10 Kbytes	PLQP0052JA-A	
R5F2L357ADFP (D)	48 Kbytes	1 Kbyte × 4	6 Kbytes	PLQP0052JA-A	D Version
R5F2L358ADFP (D)	64 Kbytes	1 Kbyte × 4	8 Kbytes	PLQP0052JA-A	
R5F2L35AADFP (D)	96 Kbytes	1 Kbyte × 4	10 Kbytes	PLQP0052JA-A	
R5F2L35CADFP (D)	128 Kbytes	1 Kbyte × 4	10 Kbytes	PLQP0052JA-A	

(D): Under development



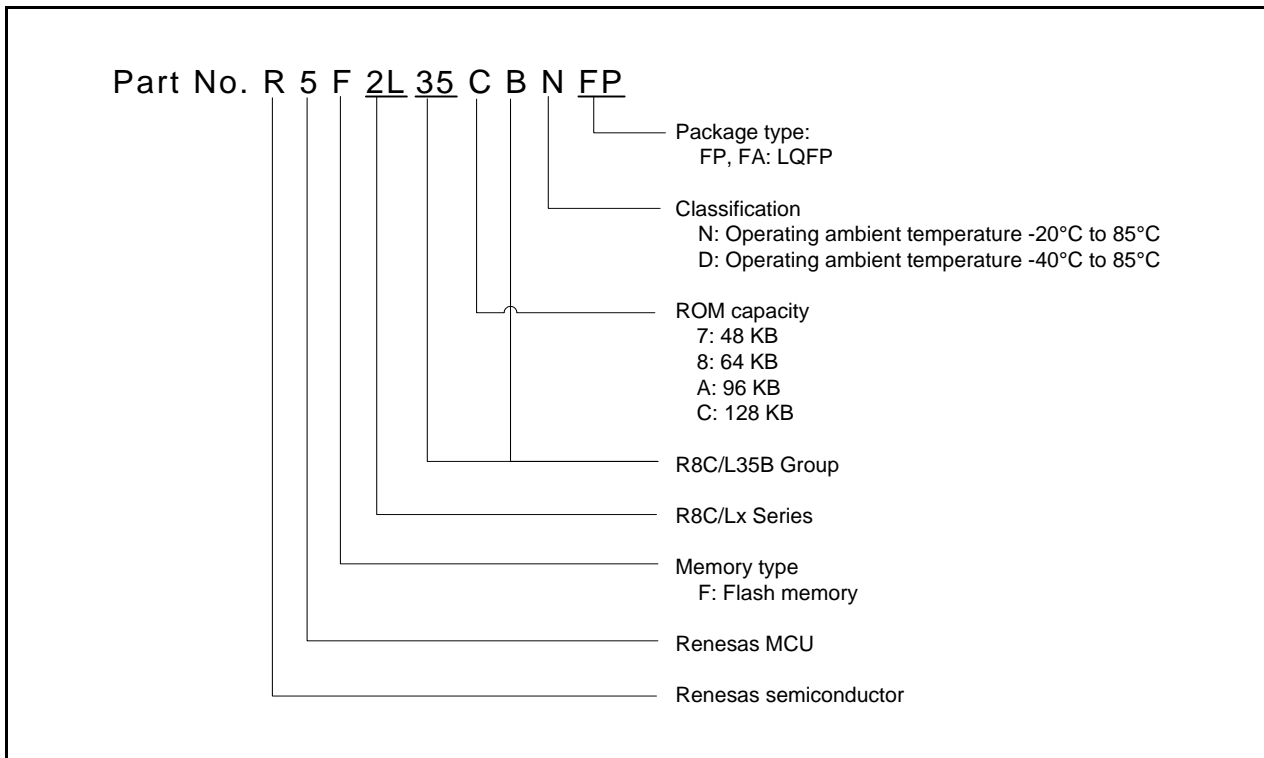
**Figure 1.1 Correspondence of Part No., with Memory Size and Package of R8C/L35A Group**

**Table 1.9 Product List for R8C/L35B Group**

**Current of Jan 2009**

Part No.	Internal ROM Capacity	Internal RAM Capacity	Package Type	Remarks
R5F2L357BNFP (D)	48 Kbytes	6 Kbytes	PLQP0052JA-A	N Version
R5F2L358BNFP (D)	64 Kbytes	8 Kbytes	PLQP0052JA-A	
R5F2L35ABNFP (D)	96 Kbytes	10 Kbytes	PLQP0052JA-A	
R5F2L35CBNFP (D)	128 Kbytes	10 Kbytes	PLQP0052JA-A	
R5F2L357BDFP (D)	48 Kbytes	6 Kbytes	PLQP0052JA-A	D Version
R5F2L358BDFP (D)	64 Kbytes	8 Kbytes	PLQP0052JA-A	
R5F2L35ABDFP (D)	96 Kbytes	10 Kbytes	PLQP0052JA-A	
R5F2L35CBDFP (D)	128 Kbytes	10 Kbytes	PLQP0052JA-A	

(D): Under development



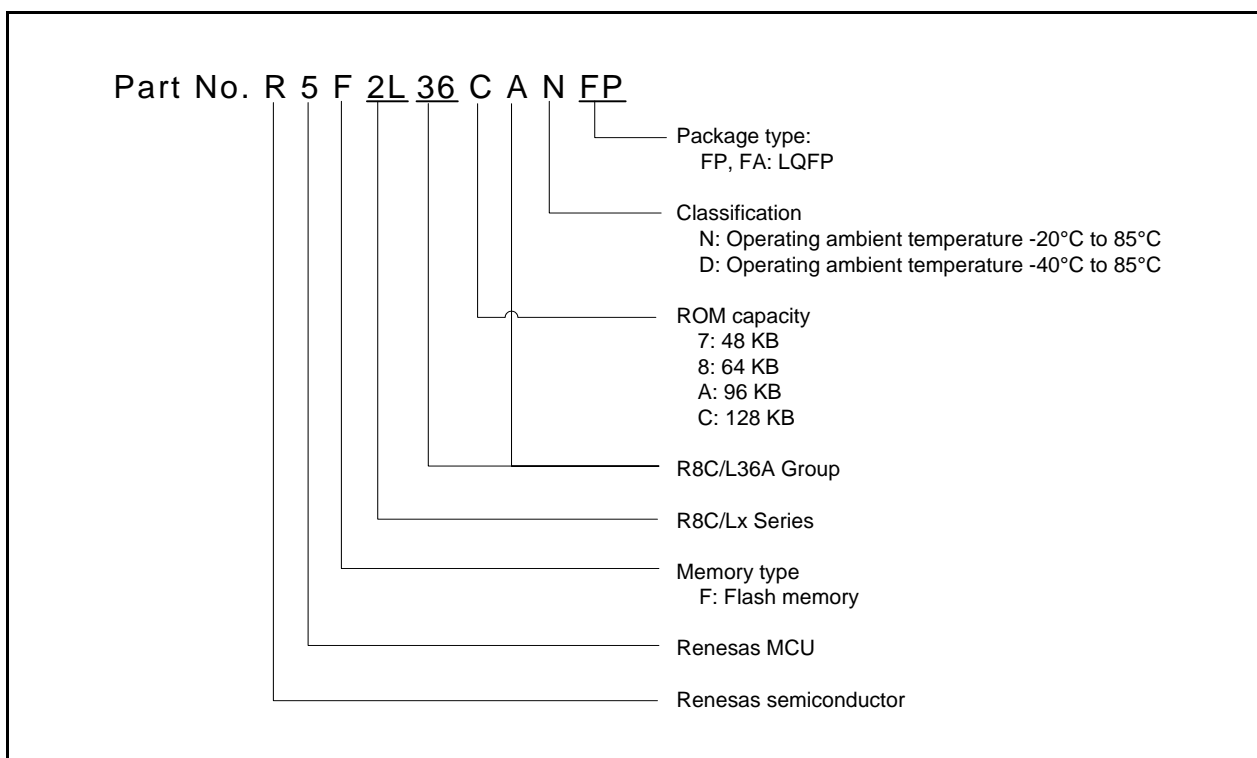
**Figure 1.2 Correspondence of Part No., with Memory Size and Package of R8C/L35B Group**

**Table 1.10 Product List for R8C/L36A Group**

**Current of Jan 2009**

Part No.	Internal ROM Capacity		Internal RAM Capacity	Package Type	Remarks
	Program ROM	Data Flash			
R5F2L367ANFP (D)	48 Kbytes	1 Kbyte × 4	6 Kbytes	PLQP0064KB-A	N Version
R5F2L367ANFA (D)	48 Kbytes	1 Kbyte × 4	6 Kbytes	PLQP0064GA-A	
R5F2L368ANFP (D)	64 Kbytes	1 Kbyte × 4	8 Kbytes	PLQP0064KB-A	
R5F2L368ANFA (D)	64 Kbytes	1 Kbyte × 4	8 Kbytes	PLQP0064GA-A	
R5F2L36AANFP (D)	96 Kbytes	1 Kbyte × 4	10 Kbytes	PLQP0064KB-A	
R5F2L36AANFA (D)	96 Kbytes	1 Kbyte × 4	10 Kbytes	PLQP0064GA-A	
R5F2L36CANFP (D)	128 Kbytes	1 Kbyte × 4	10 Kbytes	PLQP0064KB-A	
R5F2L36CANFA (D)	128 Kbytes	1 Kbyte × 4	10 Kbytes	PLQP0064GA-A	
R5F2L367ADFP (D)	48 Kbytes	1 Kbyte × 4	6 Kbytes	PLQP0064KB-A	D Version
R5F2L367ADFA (D)	48 Kbytes	1 Kbyte × 4	6 Kbytes	PLQP0064GA-A	
R5F2L368ADFP (D)	64 Kbytes	1 Kbyte × 4	8 Kbytes	PLQP0064KB-A	
R5F2L368ADFA (D)	64 Kbytes	1 Kbyte × 4	8 Kbytes	PLQP0064GA-A	
R5F2L36AADFP (D)	96 Kbytes	1 Kbyte × 4	10 Kbytes	PLQP0064KB-A	
R5F2L36AADFA (D)	96 Kbytes	1 Kbyte × 4	10 Kbytes	PLQP0064GA-A	
R5F2L36CADFP (D)	128 Kbytes	1 Kbyte × 4	10 Kbytes	PLQP0064KB-A	
R5F2L36CADFA (D)	128 Kbytes	1 Kbyte × 4	10 Kbytes	PLQP0064GA-A	

(D): Under development



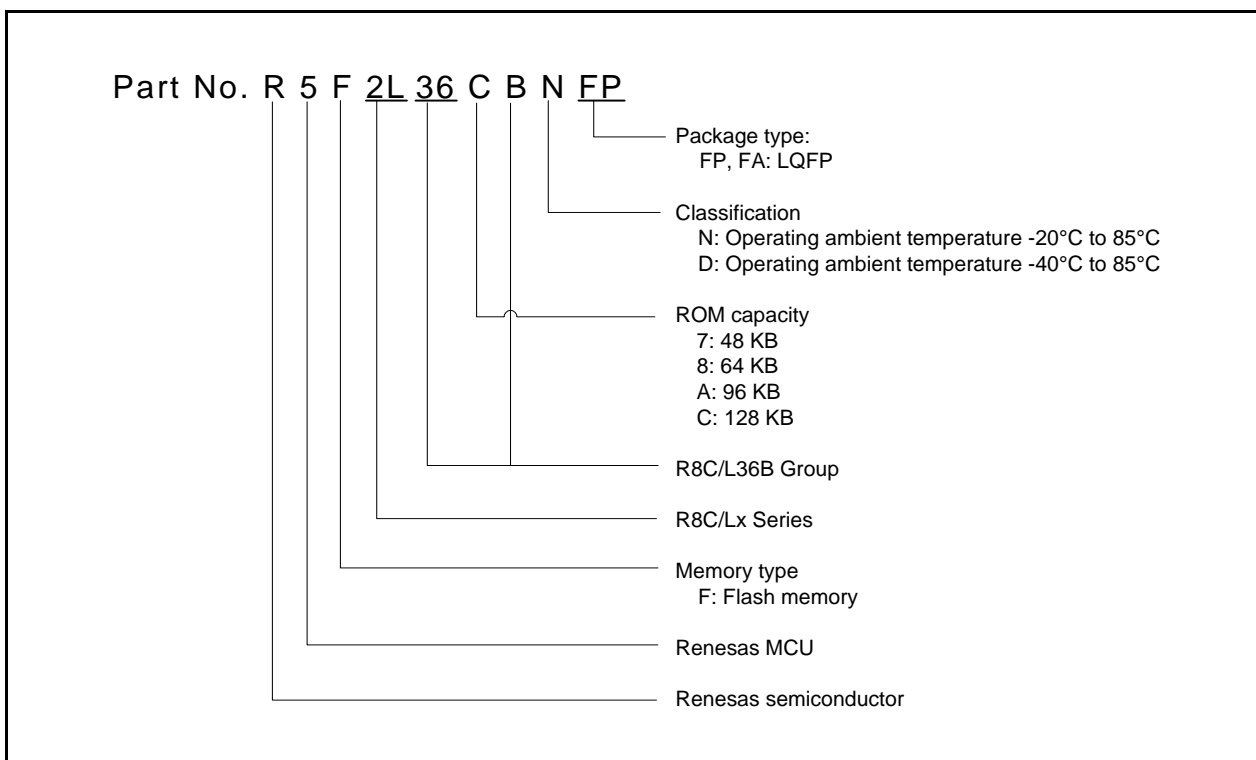
**Figure 1.3 Correspondence of Part No., with Memory Size and Package of R8C/L36A Group**

**Table 1.11 Product List for R8C/L36B Group**

**Current of Jan 2009**

Part No.	Internal ROM Capacity	Internal RAM Capacity	Package Type	Remarks
R5F2L367BNFP (D)	48 Kbytes	6 Kbytes	PLQP0064KB-A	N Version
R5F2L367BNFA (D)	48 Kbytes	6 Kbytes	PLQP0064GA-A	
R5F2L368BNFP (D)	64 Kbytes	8 Kbytes	PLQP0064KB-A	
R5F2L368BNFA (D)	64 Kbytes	8 Kbytes	PLQP0064GA-A	
R5F2L36ABNFP (D)	96 Kbytes	10 Kbytes	PLQP0064KB-A	
R5F2L36ABNFA (D)	96 Kbytes	10 Kbytes	PLQP0064GA-A	
R5F2L36CBNFP (D)	128 Kbytes	10 Kbytes	PLQP0064KB-A	
R5F2L36CBNFA (D)	128 Kbytes	10 Kbytes	PLQP0064GA-A	
R5F2L367BDFP (D)	48 Kbytes	6 Kbytes	PLQP0064KB-A	D Version
R5F2L367BDFA (D)	48 Kbytes	6 Kbytes	PLQP0064GA-A	
R5F2L368BDFP (D)	64 Kbytes	8 Kbytes	PLQP0064KB-A	
R5F2L368BDFA (D)	64 Kbytes	8 Kbytes	PLQP0064GA-A	
R5F2L36ABDFP (D)	96 Kbytes	10 Kbytes	PLQP0064KB-A	
R5F2L36ABDFA (D)	96 Kbytes	10 Kbytes	PLQP0064GA-A	
R5F2L36CBDFP (D)	128 Kbytes	10 Kbytes	PLQP0064KB-A	
R5F2L36CBDFA (D)	128 Kbytes	10 Kbytes	PLQP0064GA-A	

(D): Under development



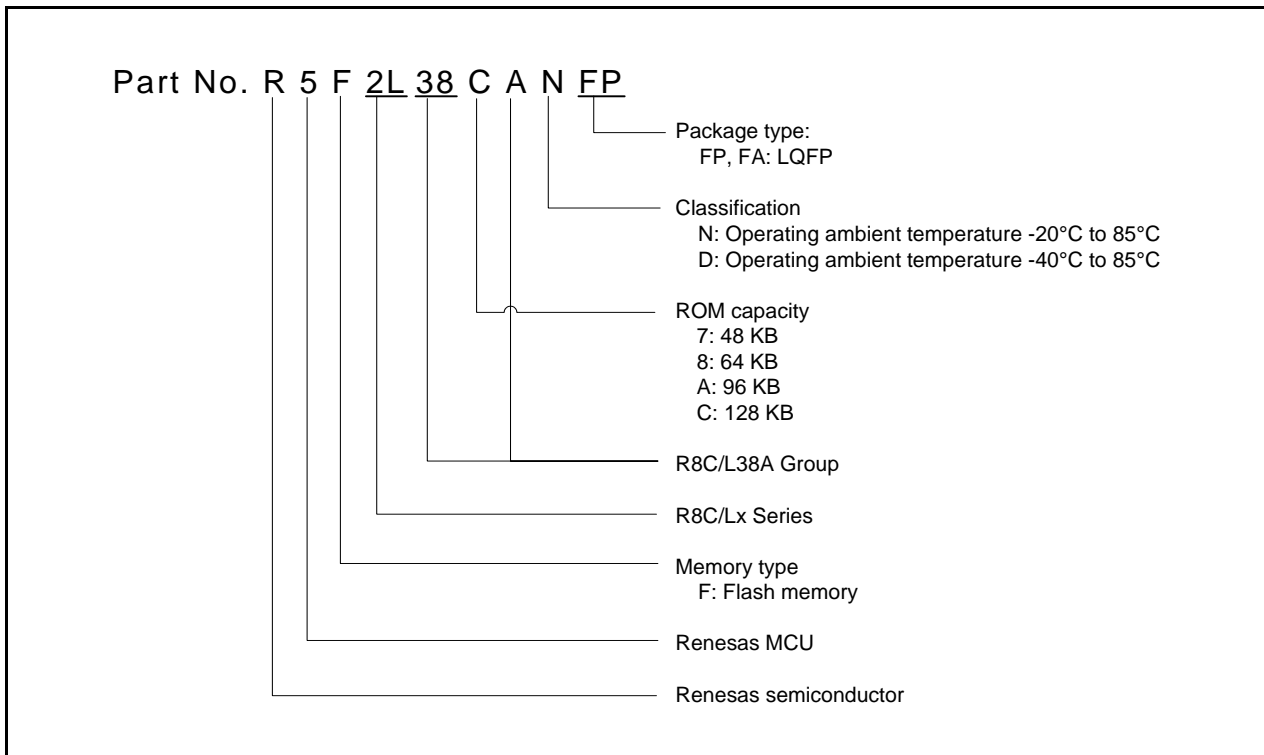
**Figure 1.4 Correspondence of Part No., with Memory Size and Package of R8C/L36B Group**

**Table 1.12 Product List for R8C/L38A Group**

**Current of Jan 2009**

Part No.	Internal ROM Capacity		Internal RAM Capacity	Package Type	Remarks
	Program ROM	Data Flash			
R5F2L387ANFP (D)	48 Kbytes	1 Kbyte × 4	6 Kbytes	PLQP0080KB-A	N Version
R5F2L387ANFA (D)	48 Kbytes	1 Kbyte × 4	6 Kbytes	PLQP0080JA-A	
R5F2L388ANFP (D)	64 Kbytes	1 Kbyte × 4	8 Kbytes	PLQP0080KB-A	
R5F2L388ANFA (D)	64 Kbytes	1 Kbyte × 4	8 Kbytes	PLQP0080JA-A	
R5F2L38AANFP (D)	96 Kbytes	1 Kbyte × 4	10 Kbytes	PLQP0080KB-A	
R5F2L38AANFA (D)	96 Kbytes	1 Kbyte × 4	10 Kbytes	PLQP0080JA-A	
R5F2L38CANFP (D)	128 Kbytes	1 Kbyte × 4	10 Kbytes	PLQP0080KB-A	
R5F2L38CANFA (D)	128 Kbytes	1 Kbyte × 4	10 Kbytes	PLQP0080JA-A	
R5F2L387ADFP (D)	48 Kbytes	1 Kbyte × 4	6 Kbytes	PLQP0080KB-A	D Version
R5F2L387ADFA (D)	48 Kbytes	1 Kbyte × 4	6 Kbytes	PLQP0080JA-A	
R5F2L388ADFP (D)	64 Kbytes	1 Kbyte × 4	8 Kbytes	PLQP0080KB-A	
R5F2L388ADFA (D)	64 Kbytes	1 Kbyte × 4	8 Kbytes	PLQP0080JA-A	
R5F2L38AADFP (D)	96 Kbytes	1 Kbyte × 4	10 Kbytes	PLQP0080KB-A	
R5F2L38AADFA (D)	96 Kbytes	1 Kbyte × 4	10 Kbytes	PLQP0080JA-A	
R5F2L38CADFP (D)	128 Kbytes	1 Kbyte × 4	10 Kbytes	PLQP0080KB-A	
R5F2L38CADFA (D)	128 Kbytes	1 Kbyte × 4	10 Kbytes	PLQP0080JA-A	

(D): Under development



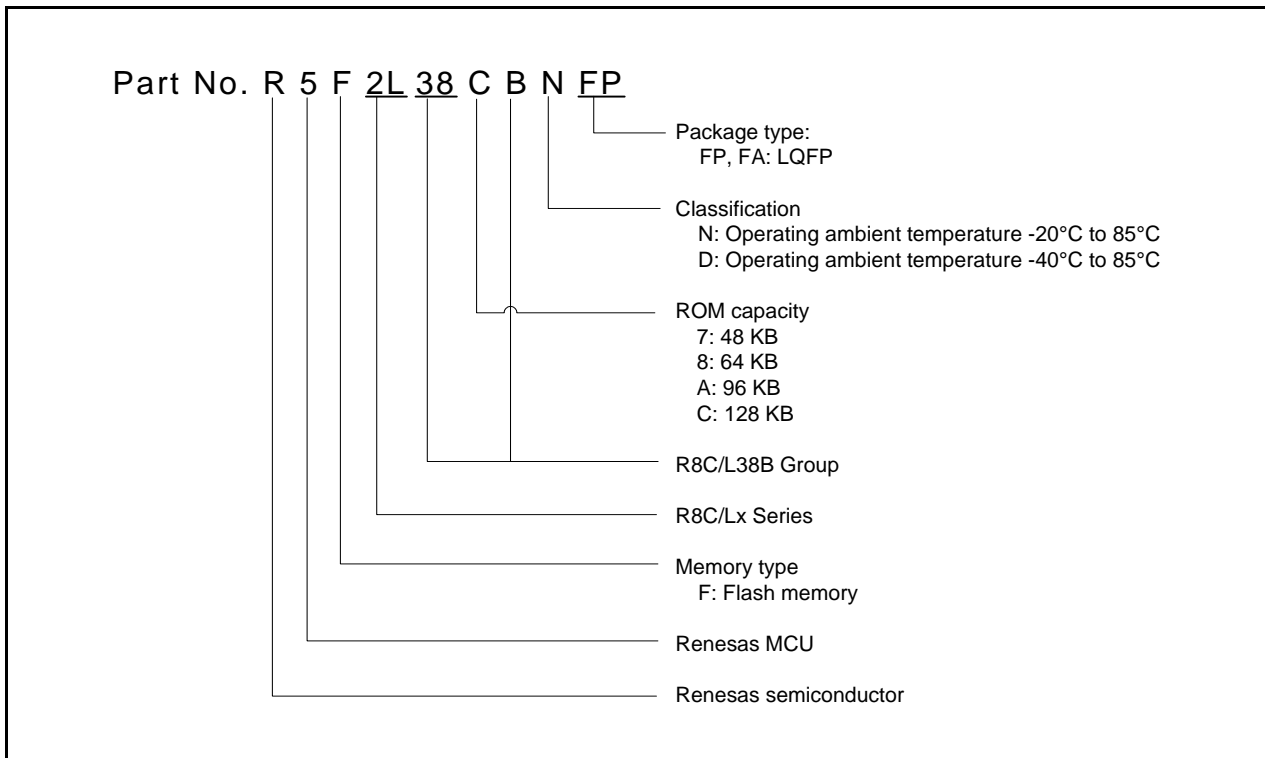
**Figure 1.5 Correspondence of Part No., with Memory Size and Package of R8C/L38A Group**

**Table 1.13 Product List for R8C/L38B Group**

**Current of Jan 2009**

Part No.	Internal ROM Capacity	Internal RAM Capacity	Package Type	Remarks
R5F2L387BNFP (D)	48 Kbytes	6 Kbytes	PLQP0080KB-A	N Version
R5F2L387BNFA (D)	48 Kbytes	6 Kbytes	PLQP0080JA-A	
R5F2L388BNFP (D)	64 Kbytes	8 Kbytes	PLQP0080KB-A	
R5F2L388BNFA (D)	64 Kbytes	8 Kbytes	PLQP0080JA-A	
R5F2L38ABNFP (D)	96 Kbytes	10 Kbytes	PLQP0080KB-A	
R5F2L38ABNFA (D)	96 Kbytes	10 Kbytes	PLQP0080JA-A	
R5F2L38CBNFP (D)	128 Kbytes	10 Kbytes	PLQP0080KB-A	
R5F2L38CBNFA (D)	128 Kbytes	10 Kbytes	PLQP0080JA-A	
R5F2L387BDFP (D)	48 Kbytes	6 Kbytes	PLQP0080KB-A	D Version
R5F2L387BDFA (D)	48 Kbytes	6 Kbytes	PLQP0080JA-A	
R5F2L388BDFP (D)	64 Kbytes	8 Kbytes	PLQP0080KB-A	
R5F2L388BDFA (D)	64 Kbytes	8 Kbytes	PLQP0080JA-A	
R5F2L38ABDFP (D)	96 Kbytes	10 Kbytes	PLQP0080KB-A	
R5F2L38ABDFA (D)	96 Kbytes	10 Kbytes	PLQP0080JA-A	
R5F2L38CBDFP (D)	128 Kbytes	10 Kbytes	PLQP0080KB-A	
R5F2L38CBDFA (D)	128 Kbytes	10 Kbytes	PLQP0080JA-A	

(D): Under development



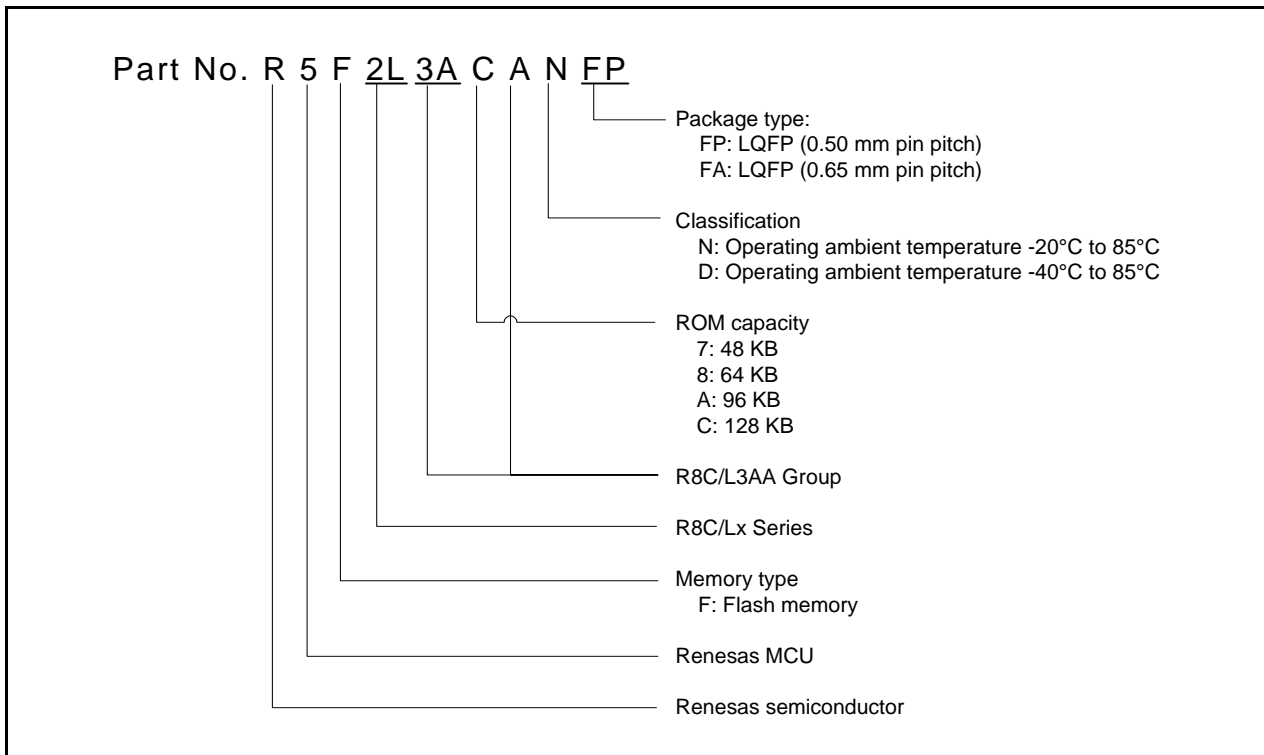
**Figure 1.6 Correspondence of Part No., with Memory Size and Package of R8C/L38B Group**

**Table 1.14 Product List for R8C/L3AA Group**

**Current of Jan 2009**

Part No.	Internal ROM Capacity		Internal RAM Capacity	Package Type	Remarks
	Program ROM	Data Flash			
R5F2L3A7ANFP (D)	48 Kbytes	1 Kbyte × 4	6 Kbytes	PLQP0100KB-A	N Version
R5F2L3A7ANFA (D)	48 Kbytes	1 Kbyte × 4	6 Kbytes	PRQP0100JD-B	
R5F2L3A8ANFP (D)	64 Kbytes	1 Kbyte × 4	8 Kbytes	PLQP0100KB-A	
R5F2L3A8ANFA (D)	64 Kbytes	1 Kbyte × 4	8 Kbytes	PRQP0100JD-B	
R5F2L3AAANFP (D)	96 Kbytes	1 Kbyte × 4	10 Kbytes	PLQP0100KB-A	
R5F2L3AAANFA (D)	96 Kbytes	1 Kbyte × 4	10 Kbytes	PRQP0100JD-B	
R5F2L3ACANFP (D)	128 Kbytes	1 Kbyte × 4	10 Kbytes	PLQP0100KB-A	
R5F2L3ACANFA (D)	128 Kbytes	1 Kbyte × 4	10 Kbytes	PRQP0100JD-B	
R5F2L3A7ADFP (D)	48 Kbytes	1 Kbyte × 4	6 Kbytes	PLQP0100KB-A	D Version
R5F2L3A7ADFA (D)	48 Kbytes	1 Kbyte × 4	6 Kbytes	PRQP0100JD-B	
R5F2L3A8ADFP (D)	64 Kbytes	1 Kbyte × 4	8 Kbytes	PLQP0100KB-A	
R5F2L3A8ADFA (D)	64 Kbytes	1 Kbyte × 4	8 Kbytes	PRQP0100JD-B	
R5F2L3AAADFP (D)	96 Kbytes	1 Kbyte × 4	10 Kbytes	PLQP0100KB-A	
R5F2L3AAADFA (D)	96 Kbytes	1 Kbyte × 4	10 Kbytes	PRQP0100JD-B	
R5F2L3ACADFP (D)	128 Kbytes	1 Kbyte × 4	10 Kbytes	PLQP0100KB-A	
R5F2L3ACADFA (D)	128 Kbytes	1 Kbyte × 4	10 Kbytes	PRQP0100JD-B	

(D): Under development



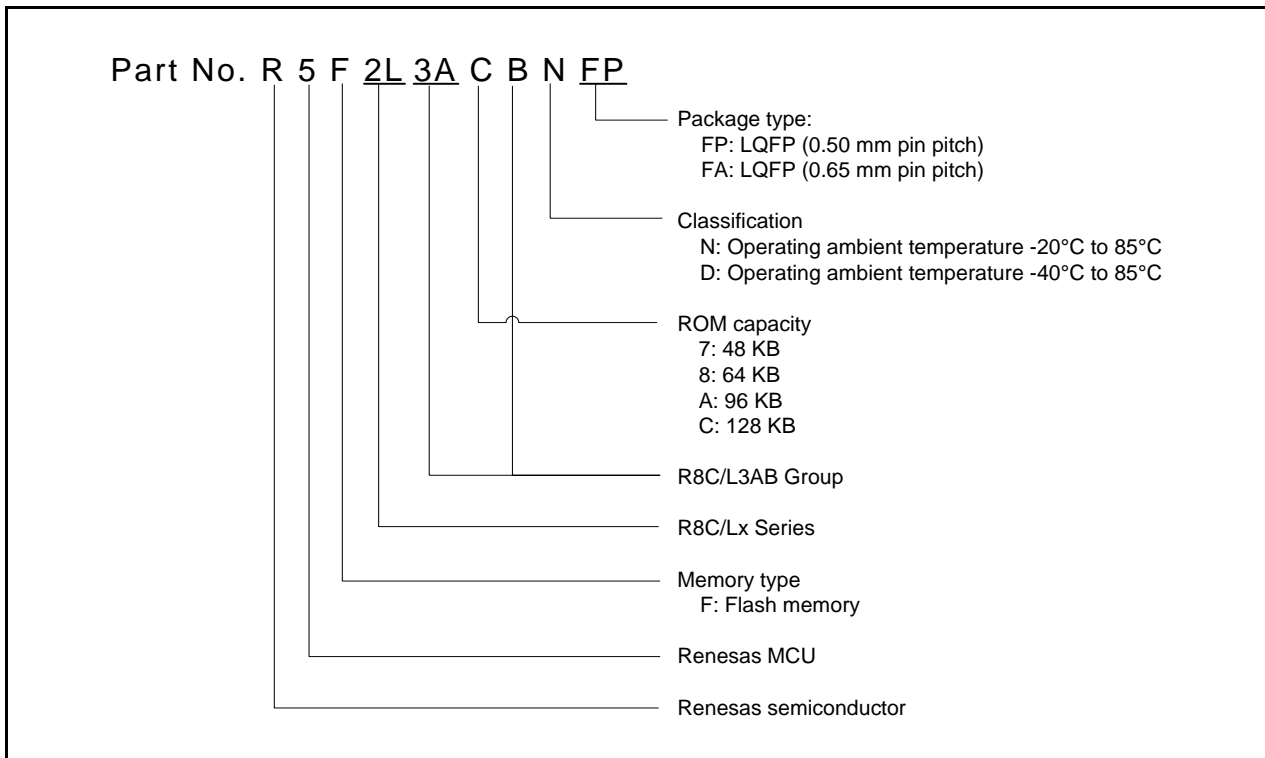
**Figure 1.7 Correspondence of Part No., with Memory Size and Package of R8C/L3AA Group**

**Table 1.15 Product List for R8C/L3AB Group**

**Current of Jan 2009**

Part No.	Internal ROM Capacity	Internal RAM Capacity	Package Type	Remarks
R5F2L3A7BNFP (D)	48 Kbytes	6 Kbytes	PLQP0100KB-A	N Version
R5F2L3A7BNFA (D)	48 Kbytes	6 Kbytes	PRQP0100JD-B	
R5F2L3A8BNFP (D)	64 Kbytes	8 Kbytes	PLQP0100KB-A	
R5F2L3A8BNFA (D)	64 Kbytes	8 Kbytes	PRQP0100JD-B	
R5F2L3AABNFP (D)	96 Kbytes	10 Kbytes	PLQP0100KB-A	
R5F2L3AABNFA (D)	96 Kbytes	10 Kbytes	PRQP0100JD-B	
R5F2L3ACBNFP (D)	128 Kbytes	10 Kbytes	PLQP0100KB-A	
R5F2L3ACBNFA (D)	128 Kbytes	10 Kbytes	PRQP0100JD-B	
R5F2L3A7BDFP (D)	48 Kbytes	6 Kbytes	PLQP0100KB-A	D Version
R5F2L3A7BDFA (D)	48 Kbytes	6 Kbytes	PRQP0100JD-B	
R5F2L3A8BDFP (D)	64 Kbytes	8 Kbytes	PLQP0100KB-A	
R5F2L3A8BDFA (D)	64 Kbytes	8 Kbytes	PRQP0100JD-B	
R5F2L3AABDFP (D)	96 Kbytes	10 Kbytes	PLQP0100KB-A	
R5F2L3AABDFA (D)	96 Kbytes	10 Kbytes	PRQP0100JD-B	
R5F2L3ACBDFP (D)	128 Kbytes	10 Kbytes	PLQP0100KB-A	
R5F2L3ACBDFA (D)	128 Kbytes	10 Kbytes	PRQP0100JD-B	

(D): Under development



**Figure 1.8 Correspondence of Part No., with Memory Size and Package of R8C/L3AB Group**



### 1.3 Block Diagrams

Figure 1.9 shows a Block Diagram of R8C/L35A and R8C/L35B Groups. Figure 1.10 shows a Block Diagram of R8C/L36A and R8C/L36B Groups. Figure 1.11 shows a Block Diagram of R8C/L38A and R8C/L38B Groups. Figure 1.12 shows a Block Diagram of R8C/L3AA and R8C/L3AB Groups.

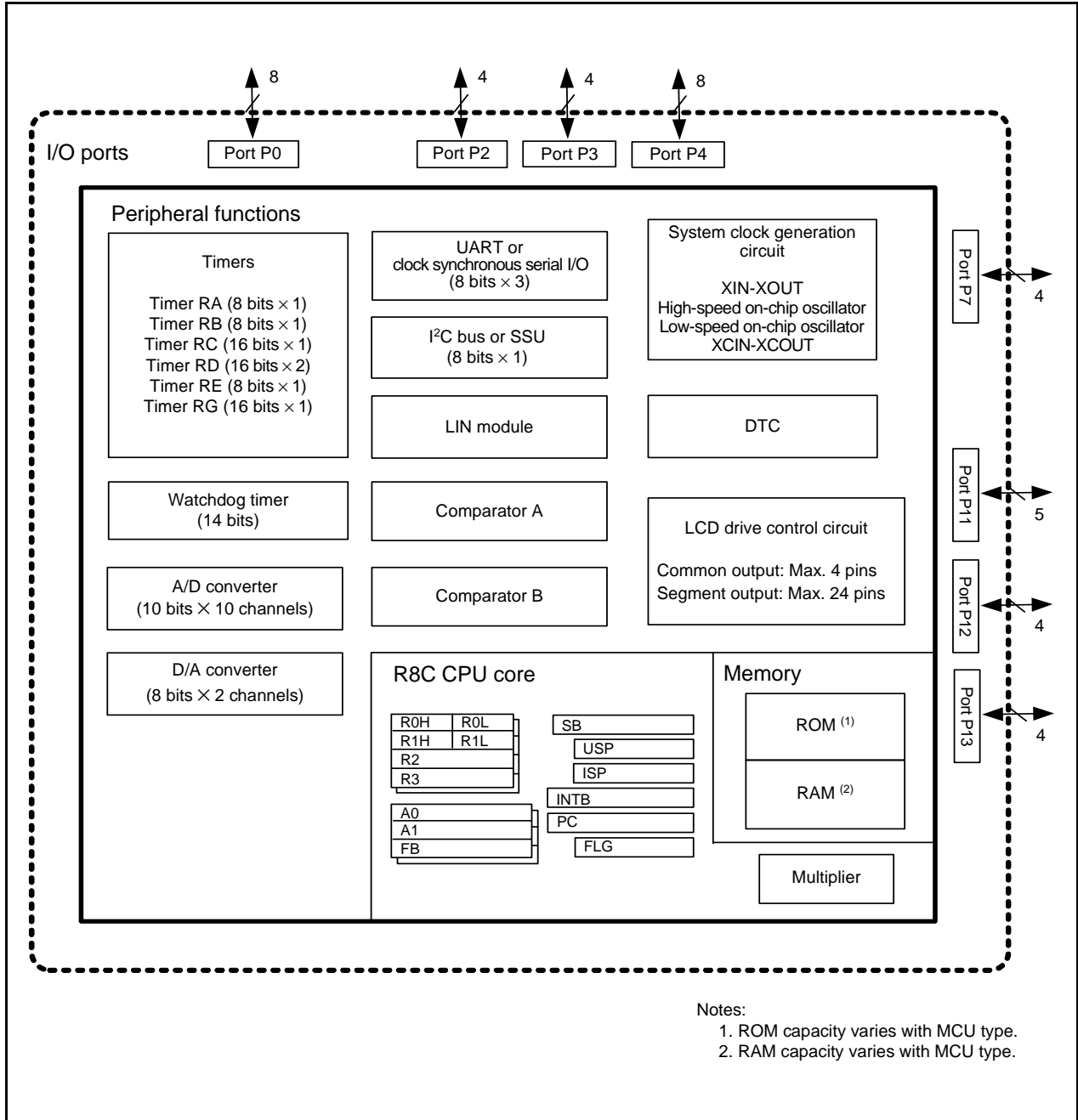
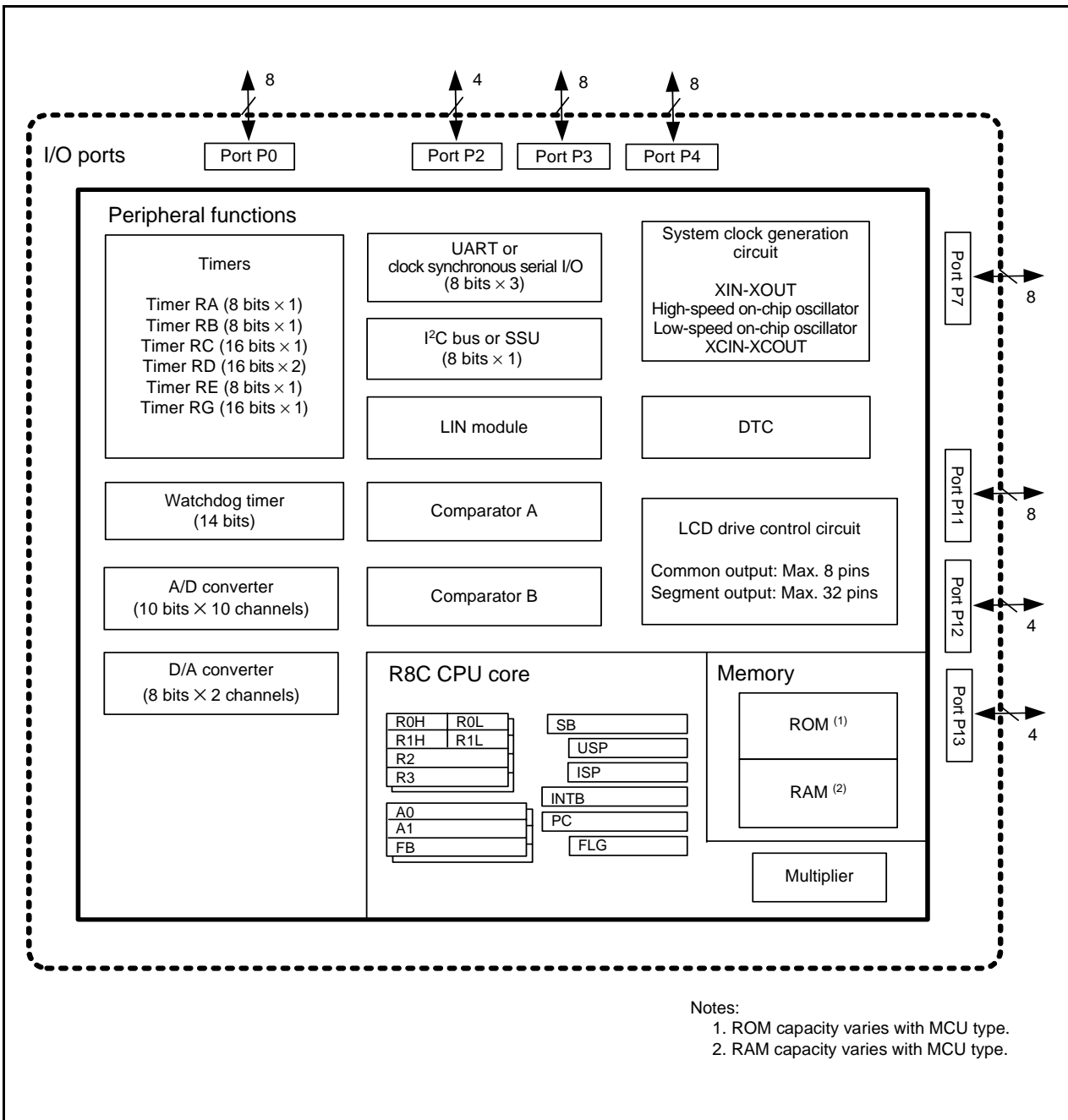


Figure 1.9 Block Diagram of R8C/L35A and R8C/L35B Groups



**Figure 1.10** Block Diagram of R8C/L36A and R8C/L36B Groups

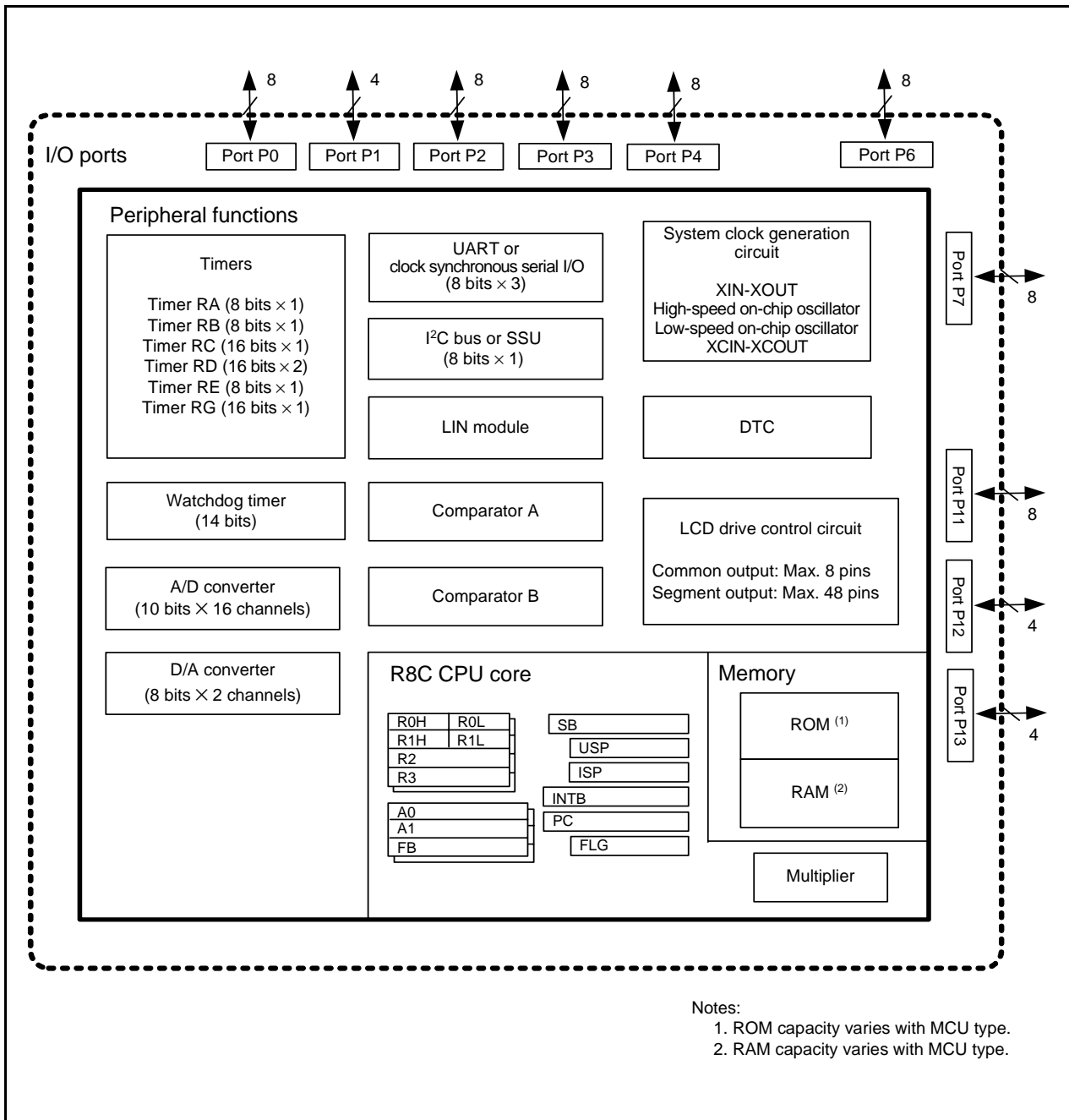


Figure 1.11 Block Diagram of R8C/L38A and R8C/L38B Groups

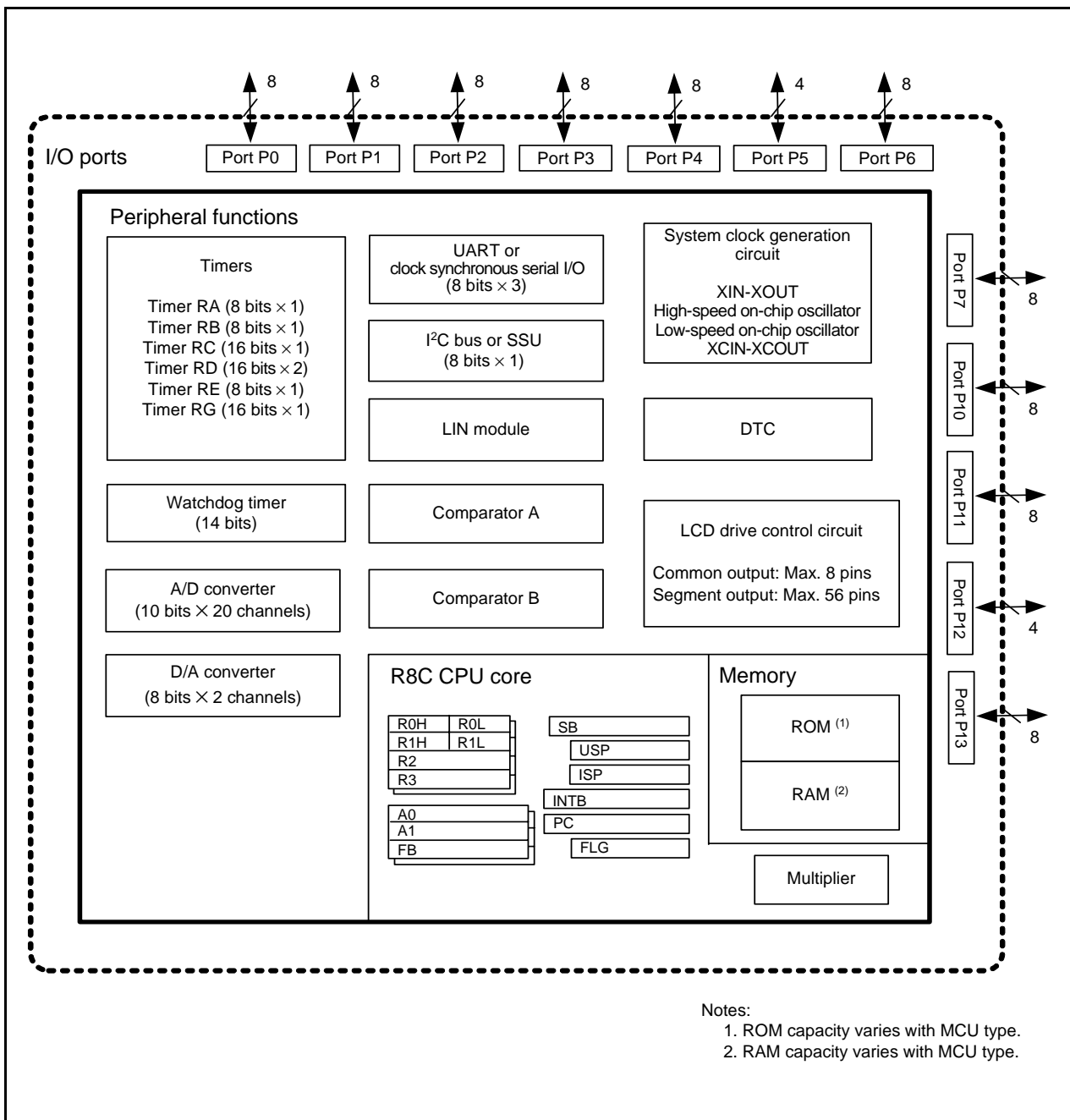


Figure 1.12 Block Diagram of R8C/L3AA and R8C/L3AB Groups

## 1.4 Pin Assignments

Figures 1.13 to 1.17 show pin assignments (top view). Tables 1.16 to 1.18 list the pin name information by pin number.

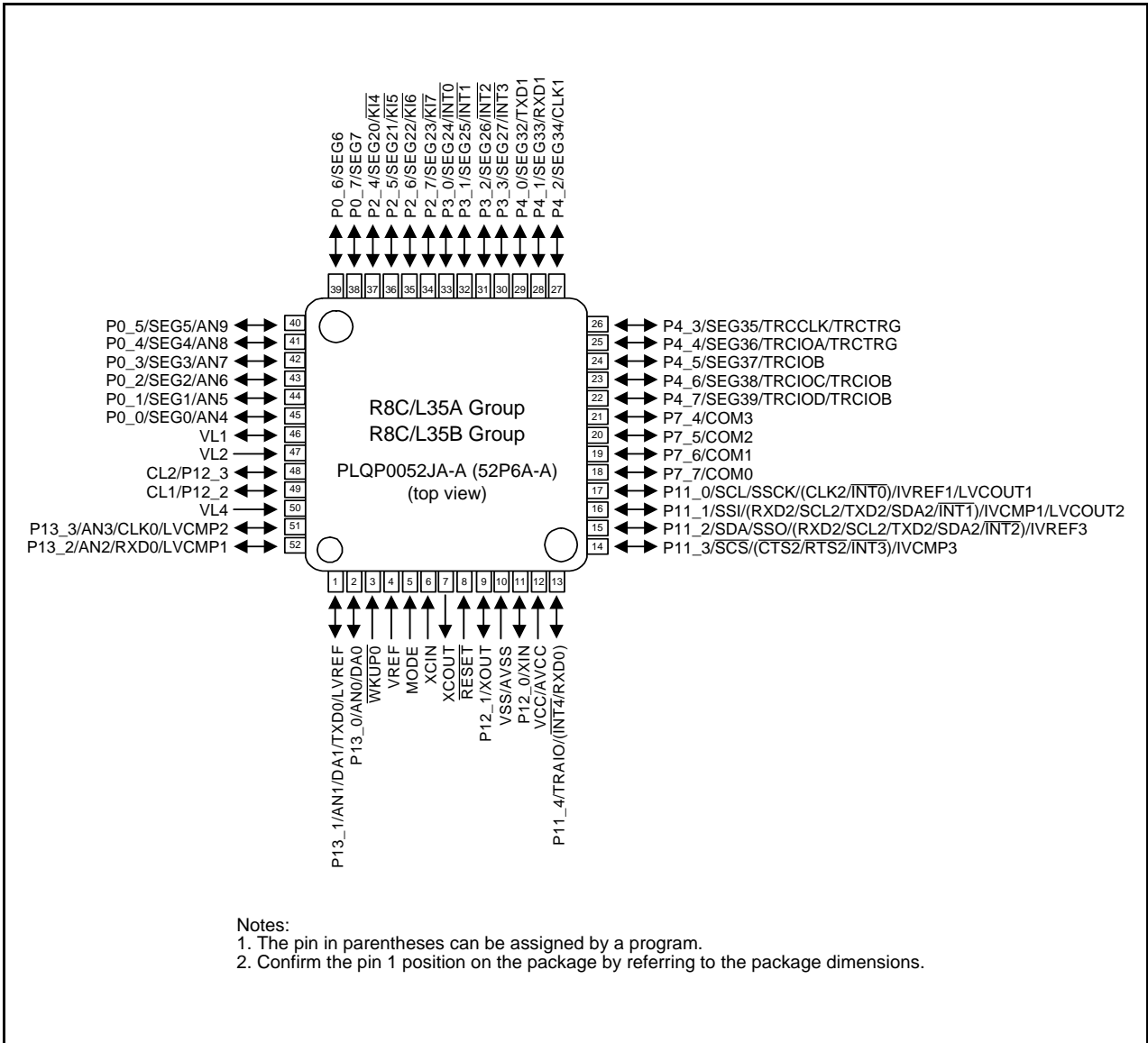


Figure 1.13 Pin Assignment (Top View) of PLQP0052JA-A Package

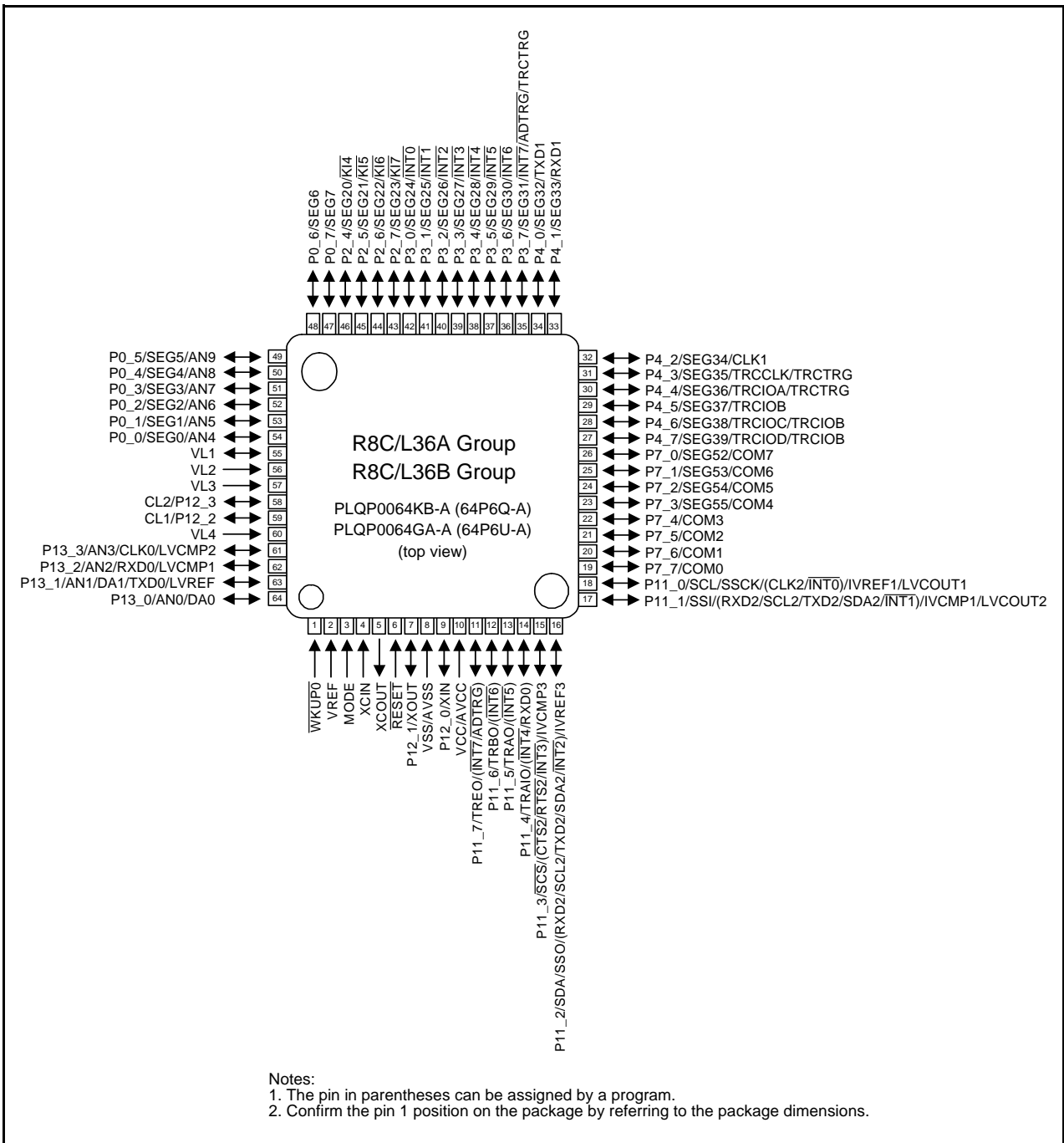


Figure 1.14 Pin Assignment (Top View) of PLQP0064KB-A and PLQP0064GA-A Packages

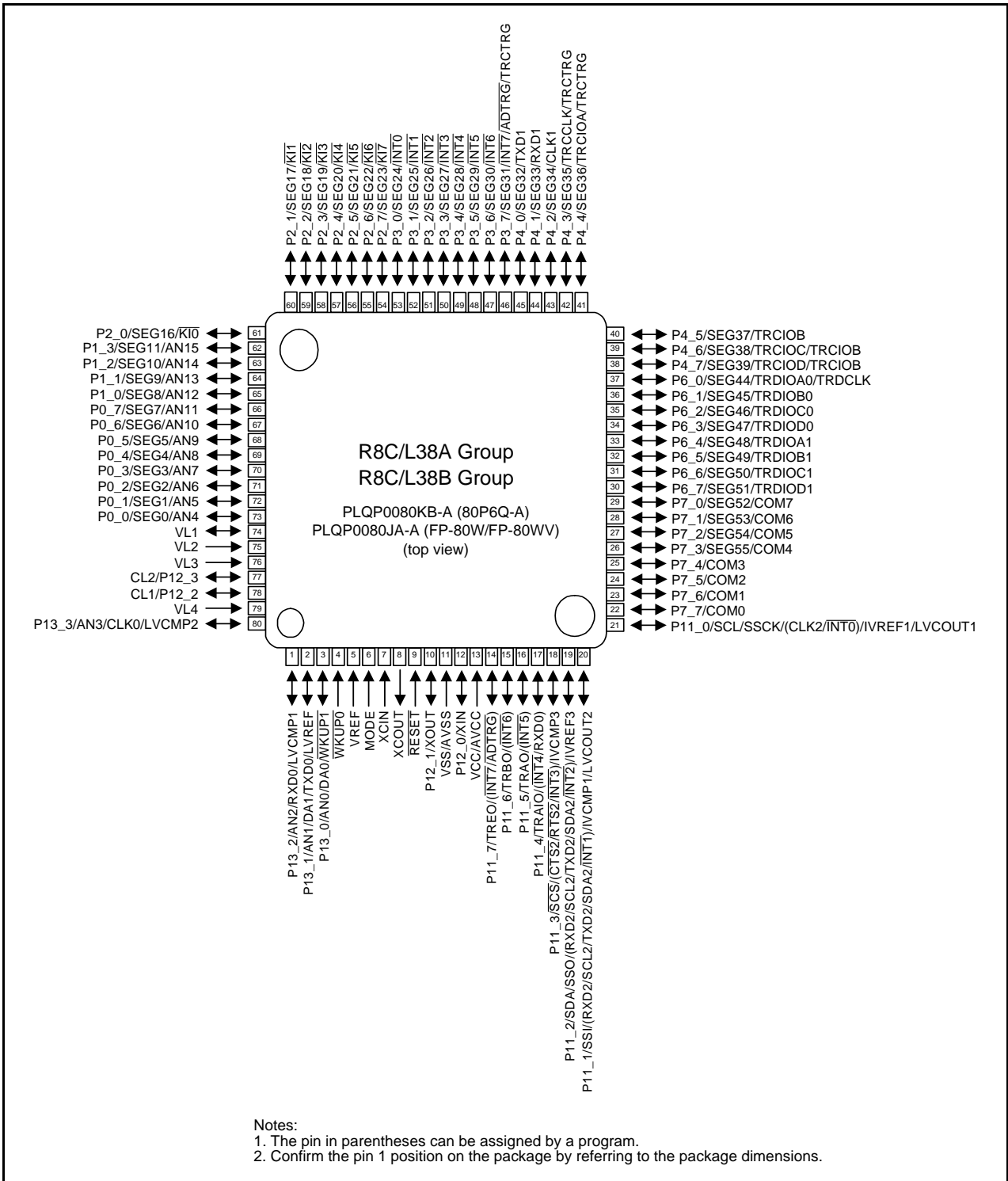


Figure 1.15 Pin Assignment (Top View) of PLQP0080KB-A and PLQP0080JA-A Packages

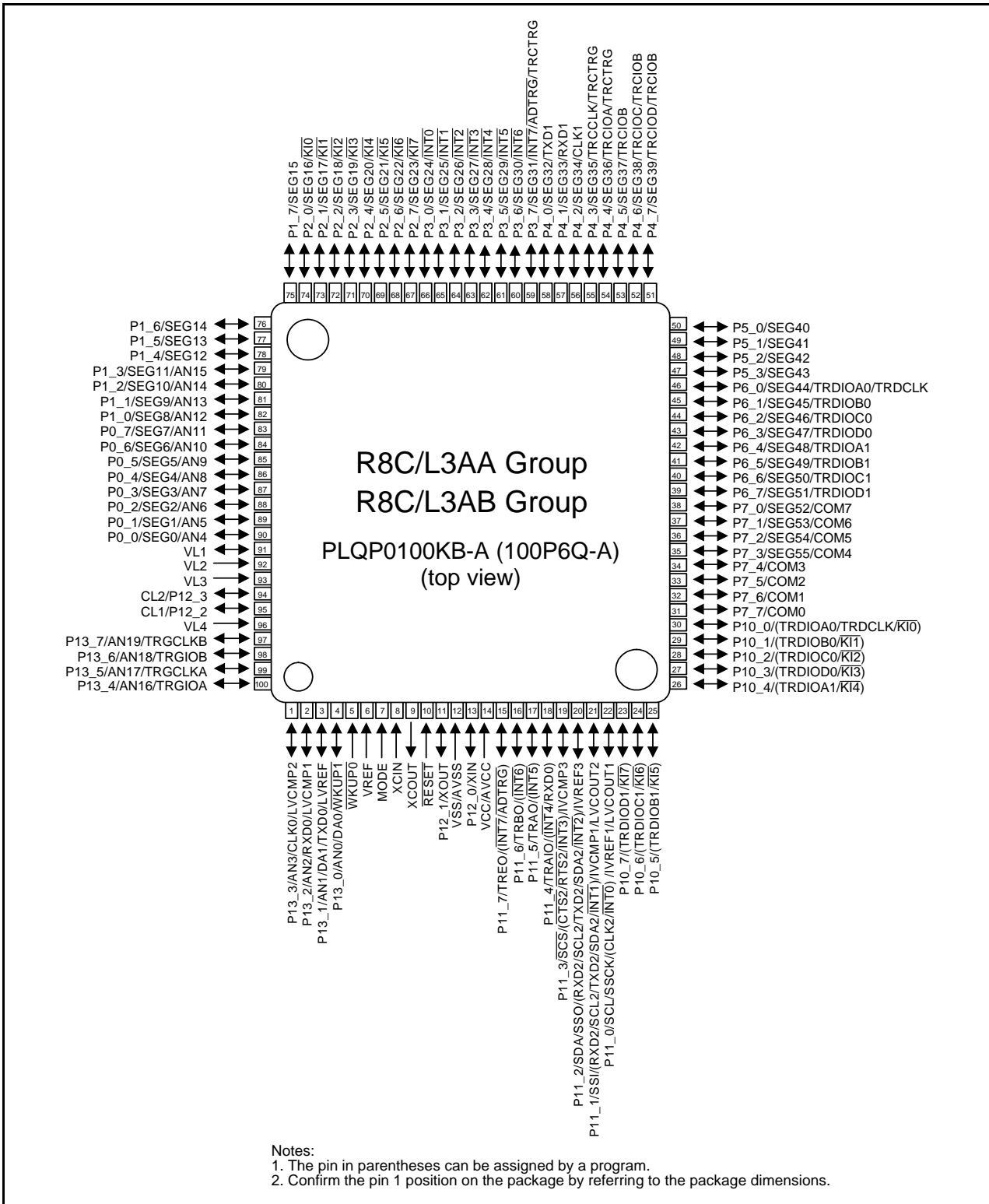


Figure 1.16 Pin Assignment (Top View) of PLQP0100KB-A Package



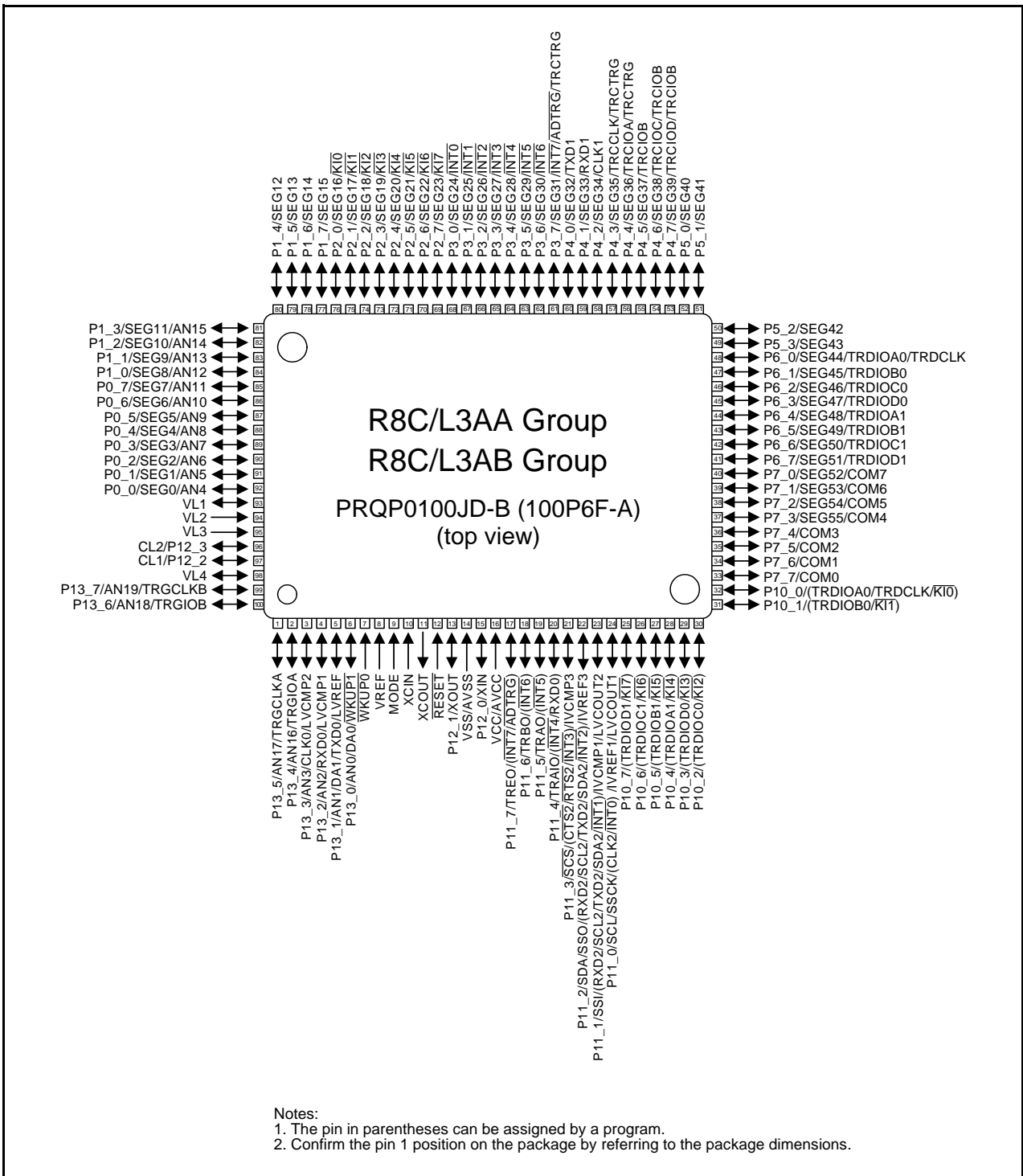


Figure 1.17 Pin Assignment (Top View) of PRQP0100JD-B Package

**Table 1.16 Pin Name Information by Pin Number (1)**

Pin Number				Control Pin	Port	I/O Pin Functions for Peripheral Modules						
L3AA L3AB (Note 2)	L38A L38B	L36A L36B	L35A L35B			Interrupt	Timer	Serial Interface	SSU	I <sup>2</sup> C bus	A/D Converter, D/A Converter, Comparators A, B, Voltage Detection Circuit	LCD drive control circuit
1 [3]	80	61	51		P13_3			CLK0			AN3/LVCMP2	
2 [4]	1	62	52		P13_2			RXD0			AN2/LVCMP1	
3 [5]	2	63	1		P13_1			TXD0			AN1/DA1/LVREF	
4 [6]	3	64	2	WKUP1 (3)	P13_0						AN0/DA0	
5 [7]	4	1	3	WKUP0								
6 [8]	5	2	4	VREF								
7 [9]	6	3	5	MODE								
8 [10]	7	4	6	XCIN								
9 [11]	8	5	7	XCOU								
10 [12]	9	6	8	RESET								
11 [13]	10	7	9	XOUT	P12_1							
12 [14]	11	8	10	VSS/ AVSS								
13 [15]	12	9	11	XIN	P12_0							
14 [16]	13	10	12	VCC/ AVCC								
15 [17]	14	11			P11_7	(INT7)	TREO				(ADTRG)	
16 [18]	15	12			P11_6	(INT6)	TRBO					
17 [19]	16	13			P11_5	(INT5)	TRAO					
18 [20]	17	14	13		P11_4	(INT4)	TRAI0	(RXD0)				
19 [21]	18	15	14		P11_3	(INT3)		(CTS2/RTS2)	SCS		IVCMP3	
20 [22]	19	16	15		P11_2	(INT2)		(RXD2/SCL2/ TXD2/SDA2)	SSO	SDA	IVREF3	
21 [23]	20	17	16		P11_1	(INT1)		(RXD2/SCL2/ TXD2/SDA2)	SSI		IVCMP1/LVCOUT2	
22 [24]	21	18	17		P11_0	(INT0)		(CLK2)	SSCK	SCL	IVREF1/LVCOUT1	
23 [25]					P10_7	(KI7)	(TRDIOD1)					
24 [26]					P10_6	(KI6)	(TRDIOD1)					
25 [27]					P10_5	(KI5)	(TRDIOD1)					
26 [28]					P10_4	(KI4)	(TRDIOD1)					
27 [29]					P10_3	(KI3)	(TRDIOD0)					
28 [30]					P10_2	(KI2)	(TRDIOD0)					
29 [31]					P10_1	(KI1)	(TRDIOD0)					
30 [32]					P10_0	(KI0)	(TRDIOD0/ TRDCLK)					
31 [33]	22	19	18		P7_7							COM0
32 [34]	23	20	19		P7_6							COM1
33 [35]	24	21	20		P7_5							COM2
34 [36]	25	22	21		P7_4							COM3
35 [37]	26	23			P7_3							SEG55/ COM4
36 [38]	27	24			P7_2							SEG54/ COM5
37 [39]	28	25			P7_1							SEG53/ COM6
38 [40]	29	26			P7_0							SEG52/ COM7
39 [41]	30				P6_7		TRDIOD1					SEG51

Notes:

1. The pin in parentheses can be assigned by a program.
2. The number in brackets indicates the pin number for the 100P6F package.
3. The WKUP1 pin is not available in the R8C/L35A, R8C/L35B, R8C/L36A, and R8C/L36B Groups.

**Table 1.17 Pin Name Information by Pin Number (2)**

Pin Number				Control Pin	Port	I/O Pin Functions for Peripheral Modules						
L3AA L3AB (Note 2)	L38A L38B	L36A L36B	L35A L35B			Interrupt	Timer	Serial Interface	SSU	I <sup>2</sup> C bus	A/D Converter, D/A Converter, Comparators A, B, Voltage Detection Circuit	LCD drive control circuit
40 [42]	31				P6_6		TRDIOC1					SEG50
41 [43]	32				P6_5		TRDIOB1					SEG49
42 [44]	33				P6_4		TRDIOA1					SEG48
43 [45]	34				P6_3		TRDIOD0					SEG47
44 [46]	35				P6_2		TRDIOC0					SEG46
45 [47]	36				P6_1		TRDIOB0					SEG45
46 [48]	37				P6_0		TRDIOA0/ TRDCLK					SEG44
47 [49]					P5_3							SEG43
48 [50]					P5_2							SEG42
49 [51]					P5_1							SEG41
50 [52]					P5_0							SEG40
51 [53]	38	27	22		P4_7		TRCIOD/ TRCIOB					SEG39
52 [54]	39	28	23		P4_6		TRCIOA/ TRCIOB					SEG38
53 [55]	40	29	24		P4_5		TRCIOB					SEG37
54 [56]	41	30	25		P4_4		TRCIOA/ TRCTRIG					SEG36
55 [57]	42	31	26		P4_3		TRCCLK/ TRCTRIG					SEG35
56 [58]	43	32	27		P4_2			CLK1				SEG34
57 [59]	44	33	28		P4_1			RXD1				SEG33
58 [60]	45	34	29		P4_0			TXD1				SEG32
59 [61]	46	35			P3_7	$\overline{\text{INT7}}$	TRCTRIG				$\overline{\text{ADTRG}}$	SEG31
60 [62]	47	36			P3_6	$\overline{\text{INT6}}$						SEG30
61 [63]	48	37			P3_5	$\overline{\text{INT5}}$						SEG29
62 [64]	49	38			P3_4	$\overline{\text{INT4}}$						SEG28
63 [65]	50	39	30		P3_3	$\overline{\text{INT3}}$						SEG27
64 [66]	51	40	31		P3_2	$\overline{\text{INT2}}$						SEG26
65 [67]	52	41	32		P3_1	$\overline{\text{INT1}}$						SEG25
66 [68]	53	42	33		P3_0	$\overline{\text{INT0}}$						SEG24
67 [69]	54	43	34		P2_7	$\overline{\text{KI7}}$						SEG23
68 [70]	55	44	35		P2_6	$\overline{\text{KI6}}$						SEG22
69 [71]	56	45	36		P2_5	$\overline{\text{KI5}}$						SEG21
70 [72]	57	46	37		P2_4	$\overline{\text{KI4}}$						SEG20
71 [73]	58				P2_3	$\overline{\text{KI3}}$						SEG19
72 [74]	59				P2_2	$\overline{\text{KI2}}$						SEG18
73 [75]	60				P2_1	$\overline{\text{KI1}}$						SEG17
74 [76]	61				P2_0	$\overline{\text{KI0}}$						SEG16
75 [77]					P1_7							SEG15
76 [78]					P1_6							SEG14
77 [79]					P1_5							SEG13
78 [80]					P1_4							SEG12
79 [81]	62				P1_3						AN15	SEG11
80 [82]	63				P1_2						AN14	SEG10
81 [83]	64				P1_1						AN13	SEG9
82 [84]	65				P1_0						AN12	SEG8
83 [85]	66	47	38		P0_7						AN11 <sup>(3)</sup>	SEG7
84 [86]	67	48	39		P0_6						AN10 <sup>(3)</sup>	SEG6

Notes:

1. The pin in parentheses can be assigned by a program.
2. The number in brackets indicates the pin number for the 100P6F package.
3. Pins AN10 and AN11 are not available in the R8C/L35A, R8C/L35B, R8C/L36A, and R8C/L36B Groups.

**Table 1.18 Pin Name Information by Pin Number (3)**

Pin Number				Control Pin	Port	I/O Pin Functions for Peripheral Modules						
L3AA L3AB (Note 2)	L38A L38B	L36A L36B	L35A L35B			Interrupt	Timer	Serial Interface	SSU	I <sup>2</sup> C bus	A/D Converter, D/A Converter, Comparators A, B, Voltage Detection Circuit	LCD drive control circuit
85 [87]	68	49	40		P0_5						AN9	SEG5
86 [88]	69	50	41		P0_4						AN8	SEG4
87 [89]	70	51	42		P0_3						AN7	SEG3
88 [90]	71	52	43		P0_2						AN6	SEG2
89 [91]	72	53	44		P0_1						AN5	SEG1
90 [92]	73	54	45		P0_0						AN4	SEG0
91 [93]	74	55	46									VL1
92 [94]	75	56	47									VL2
93 [95]	76	57										VL3
94 [96]	77	58	48		P12_3							CL2
95 [97]	78	59	49		P12_2							CL1
96 [98]	79	60	50									VL4
97 [99]					P13_7		TRGCLKB				AN19	
98 [100]					P13_6		TRGIOB				AN18	
99 [1]					P13_5		TRGCLKA				AN17	
100 [2]					P13_4		TRGIOA				AN16	

Notes:

1. The pin in parentheses can be assigned by a program.
2. The number in brackets indicates the pin number for the 100P6F package.

## 1.5 Pin Functions

Tables 1.19 and 1.20 list pin functions.

**Table 1.19 Pin Functions (1)**

Item	Pin Name	I/O Type	Description
Power supply input	VCC, VSS	–	Apply 1.8 V to 5.5 V to the VCC pin. Apply 0 V to the VSS pin.
Analog power supply input	AVCC, AVSS	–	Power supply for the A/D converter. Connect a capacitor between AVCC and AVSS.
Reset input	$\overline{\text{RESET}}$	I	Driving this pin low resets the MCU.
MODE	MODE	I	Connect this pin to VCC via a resistor.
Power-off mode exit input	$\overline{\text{WKUP0}}$	I	This pin is provided for input to exit the mode used in power-off mode. Connect to VSS when not using power-off mode.
	$\overline{\text{WKUP1}}$	I	This pin is provided for input to exit the mode used in power-off mode.
XIN clock input	XIN	I	These pins are provided for XIN clock generation circuit I/O. Connect a ceramic oscillator or a crystal oscillator between pins XIN and XOUT. <sup>(1)</sup> To use an external clock, input it to the XIN pin and leave the XOUT pin open.
XIN clock output	XOUT	O	
XCIN clock input	XCIN	I	These pins are provided for XCIN clock generation circuit I/O. Connect a crystal oscillator between pins XCIN and XCOU. <sup>(1)</sup> To use an external clock, input it to the XCIN pin and leave the XCOU pin open.
XCIN clock output	XCOU	O	
$\overline{\text{INT}}$ interrupt input	$\overline{\text{INT0}}$ to $\overline{\text{INT7}}$	I	$\overline{\text{INT}}$ interrupt input pins.
Key input interrupt	$\overline{\text{KI0}}$ to $\overline{\text{KI7}}$	I	Key input interrupt input pins
Timer RA	TRAIO	I/O	Timer RA I/O pin
	TRAO	O	Timer RA output pin
Timer RB	TRBO	O	Timer RB output pin
Timer RC	TRCLK	I	External clock input pin
	TRCTRG	I	External trigger input pin
	TRCIOA, TRCIOB, TRCIO, TRCIOD	I/O	Timer RC I/O pins
Timer RD	TRDIOA0, TRDIOA1, TRDIOB0, TRDIOB1, TRDIOC0, TRDIOC1, TRDIOD0, TRDIOD1	I/O	Timer RD I/O pins
	TRDCLK	I	External clock input pin
Timer RE	TREO	O	Divided clock output pin
Timer RG	TRGCLKA, TRGCLKB	I	Timer RG input pins
	TRGIOA, TRGIOB	I/O	Timer RG I/O pins
Serial interface	CLK0, CLK1, CLK2	I/O	Transfer clock I/O pins
	RXD0, RXD1, RXD2	I	Serial data input pins
	TXD0, TXD1, TXD2	O	Serial data output pins
	$\overline{\text{CTS2}}$	I	Transmission control input pin
	$\overline{\text{RTS2}}$	O	Reception control output pin
	SCL2	I/O	I <sup>2</sup> C mode clock I/O pin
	SDA2	I/O	I <sup>2</sup> C mode data I/O pin

I: Input      O: Output      I/O: Input and output

Note:

- Contact the oscillator manufacturer for oscillation characteristics.

**Table 1.20 Pin Functions (2)**

Item	Pin Name	I/O Type	Description
I <sup>2</sup> C bus	SCL	I/O	Clock I/O pin
	SDA	I/O	Data I/O pin
SSU	SSI	I/O	Data I/O pin
	$\overline{\text{SCS}}$	I/O	Chip-select signal I/O pin
	SSCK	I/O	Clock I/O pin
	SSO	I/O	Data I/O pin
Reference voltage input	VREF	I	Reference voltage input pin for the A/D converter and the D/A converter
A/D converter	AN0 to AN11	I	A/D converter analog input pins
	$\overline{\text{ADTRG}}$	I	AD external trigger input pin
D/A converter	DA0, DA1	O	D/A converter output pins
Comparator A	LVCMP1, LVCMP2	I	Comparator A analog voltage input pins
	LVREF	I	Comparator A reference voltage input pin
	LVCOUT1, LVCOUT2	O	Comparator A output pins
Comparator B	IVCMP1, IVCMP3	I	Comparator B analog voltage input pins
	IVREF1, IVREF3	I	Comparator B reference voltage input pins
Voltage detection circuit	LVCMP2	I	Detection target voltage input pin for voltage detection 2
I/O ports	P0_0 to P0_7, P1_0 to P1_7, P2_0 to P2_7, P3_0 to P3_7, P4_0 to P4_7, P5_0, P5_3, P6_0 to P6_7 P7_0 to P7_7, P10_0 to P10_7, P11_0 to P11_7, P12_0 to P12_3, P13_0 to P13_7	I/O	CMOS I/O ports. Each port has an I/O select direction register, allowing each pin in the port to be directed for input or output individually. Any port set to input can be set to use a pull-up resistor or not by a program. Ports P10_0 to P10_7 and P11_0 to P11_7 can be used as LED drive ports.
Segment output	SEG0 to SEG55	O	LCD segment output pins
Common output	COM0 to COM7	O	LCD common output pins
Voltage multiplier capacity connect pins	CL1, CL2	O	Connect pins for the LCD control voltage multiplier
LCD power supply	VL1	I/O	Apply the voltage: $0 \leq VL1 \leq VL2 \leq VL3 \leq VL4$ .
	VL2 to VL4	I	VL1 can be used as the reference potential input or output pin when setting the voltage multiplier.

I: Input      O: Output      I/O: Input and output

Note:

1. Contact the oscillator manufacturer for oscillation characteristics.

## 2. Central Processing Unit (CPU)

Figure 2.1 shows the CPU Registers. The CPU contains 13 registers. R0, R1, R2, R3, A0, A1, and FB configure a register bank. There are two sets of register banks.

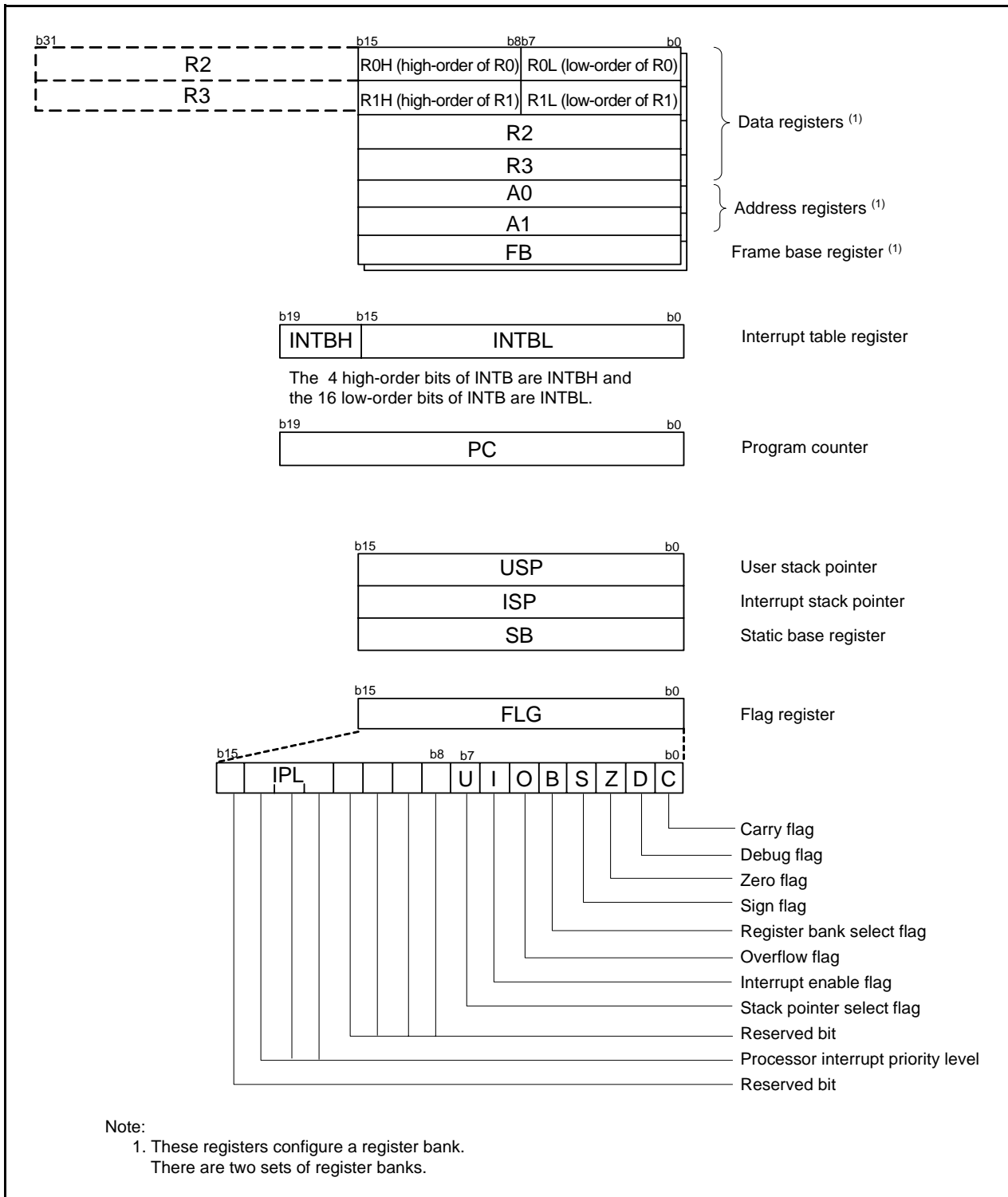


Figure 2.1 CPU Registers

## 2.1 Data Registers (R0, R1, R2, and R3)

R0 is a 16-bit register for transfer, arithmetic, and logic operations. The same applies to R1 to R3. R0 can be split into high-order bits (R0H) and low-order bits (R0L) to be used separately as 8-bit data registers. R1H and R1L are analogous to R0H and R0L. R2 can be combined with R0 and used as a 32-bit data register (R2R0). R3R1 is analogous to R2R0.

## 2.2 Address Registers (A0 and A1)

A0 is a 16-bit register for address register indirect addressing and address register relative addressing. It is also used for transfer, arithmetic, and logic operations. A1 is analogous to A0. A1 can be combined with A0 and as a 32-bit address register (A1A0).

## 2.3 Frame Base Register (FB)

FB is a 16-bit register for FB relative addressing.

## 2.4 Interrupt Table Register (INTB)

INTB is a 20-bit register that indicates the starting address of an interrupt vector table.

## 2.5 Program Counter (PC)

PC is 20 bits wide and indicates the address of the next instruction to be executed.

## 2.6 User Stack Pointer (USP) and Interrupt Stack Pointer (ISP)

The stack pointers (SP), USP and ISP, are each 16 bits wide. The U flag of FLG is used to switch between USP and ISP.

## 2.7 Static Base Register (SB)

SB is a 16-bit register for SB relative addressing.

## 2.8 Flag Register (FLG)

FLG is an 11-bit register indicating the CPU state.

### 2.8.1 Carry Flag (C)

The C flag retains carry, borrow, or shift-out bits that have been generated by the arithmetic and logic unit.

### 2.8.2 Debug Flag (D)

The D flag is for debugging only. Set it to 0.

### 2.8.3 Zero Flag (Z)

The Z flag is set to 1 when an arithmetic operation results in 0; otherwise to 0.

### 2.8.4 Sign Flag (S)

The S flag is set to 1 when an arithmetic operation results in a negative value; otherwise to 0.

### 2.8.5 Register Bank Select Flag (B)

Register bank 0 is selected when the B flag is 0. Register bank 1 is selected when this flag is set to 1.

### 2.8.6 Overflow Flag (O)

The O flag is set to 1 when an operation results in an overflow; otherwise to 0.



### **2.8.7 Interrupt Enable Flag (I)**

The I flag enables maskable interrupts.

Interrupts are disabled when the I flag is set to 0, and are enabled when the I flag is set to 1. The I flag is set to 0 when an interrupt request is acknowledged.

### **2.8.8 Stack Pointer Select Flag (U)**

ISP is selected when the U flag is set to 0; USP is selected when the U flag is set to 1.

The U flag is set to 0 when a hardware interrupt request is acknowledged or the INT instruction of software interrupt numbers 0 to 31 is executed.

### **2.8.9 Processor Interrupt Priority Level (IPL)**

IPL is 3 bits wide and assigns processor interrupt priority levels from level 0 to level 7.

If a requested interrupt has higher priority than IPL, the interrupt is enabled.

### **2.8.10 Reserved Bit**

If necessary, set to 0. When read, the content is undefined.

### 3. Memory

Figure 3.1 is a Memory Map of each group. Each group has a 1-Mbyte address space from addresses 00000h to FFFFh. The internal ROM (program ROM) is allocated lower addresses, beginning with address 0FFFFh. For example, a 48-Kbyte internal ROM area is allocated addresses 04000h to 0FFFFh.

The fixed interrupt vector table is allocated addresses 0FFDCh to 0FFFFh. The starting address of each interrupt routine is stored here.

The internal ROM (data flash) is allocated addresses 03000h to 03FFFh.

The internal RAM is allocated higher addresses, beginning with address 00400h. For example, a 6-Kbyte internal RAM area is allocated addresses 00400h to 01BFFh. The internal RAM is used not only for data storage but also as a stack area when a subroutine is called or when an interrupt request is acknowledged.

Special function registers (SFRs) are allocated addresses 00000h to 002FFh and 02C00h to 02FFFh. Peripheral function control registers are allocated here. All unallocated spaces within the SFRs are reserved and cannot be accessed by users.

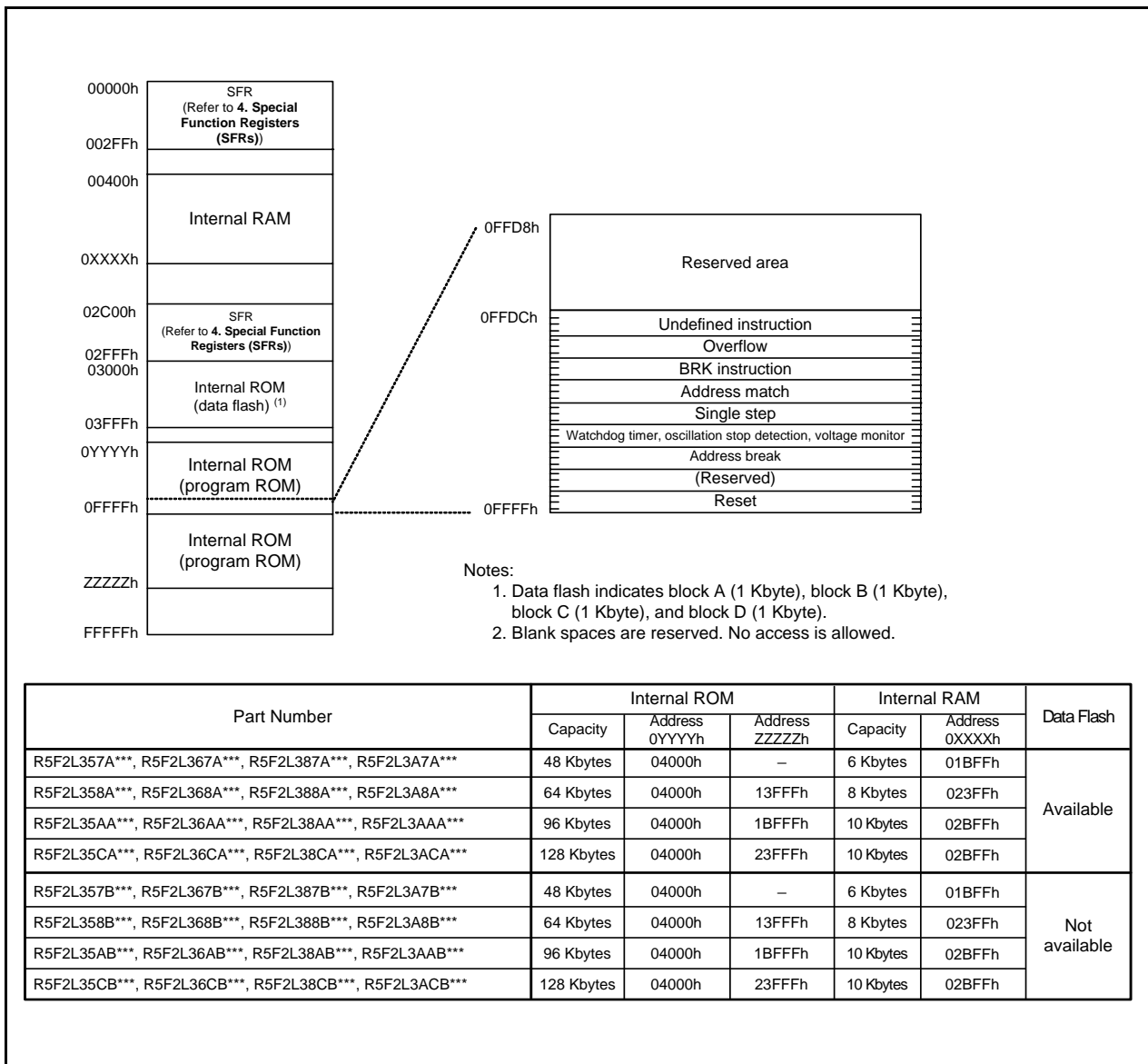


Figure 3.1 Memory Map

## 4. Special Function Registers (SFRs)

An SFR (special function register) is a control register for a peripheral function. Tables 4.1 to 4.16 list SFR information.

**Table 4.1 SFR Information (1) (1)**

Address	Register	Symbol	After Reset
0000h			
0001h			
0002h			
0003h			
0004h	Processor Mode Register 0	PM0	00h
0005h	Processor Mode Register 1	PM1	00h
0006h	System Clock Control Register 0	CM0	00100000b
0007h	System Clock Control Register 1	CM1	00100000b
0008h	Module Standby Control Register	MSTCR	00h
0009h	System Clock Control Register 3	CM3	00h
000Ah	Protect Register	PRCR	00h
000Bh	Reset Source Determination Register	RSTFR	XXh (2)
000Ch	Oscillation Stop Detection Register	OCD	00000100b
000Dh	Watchdog Timer Reset Register	WDTR	XXh
000Eh	Watchdog Timer Start Register	WDTS	XXh
000Fh	Watchdog Timer Control Register	WDTC	00111111b
0010h			
0011h			
0012h			
0013h			
0014h			
0015h	High-Speed On-Chip Oscillator Control Register 7	FRA7	When shipping
0016h			
0017h			
0018h			
0019h			
001Ah			
001Bh			
001Ch	Count Source Protection Mode Register	CSPR	00h 10000000b (3)
001Dh			
001Eh			
001Fh			
0020h	Power-Off Mode Control Register 0	POMCR0	X0000000b
0021h			
0022h			
0023h	High-Speed On-Chip Oscillator Control Register 0	FRA0	00h
0024h	High-Speed On-Chip Oscillator Control Register 1	FRA1	When shipping
0025h	High-Speed On-Chip Oscillator Control Register 2	FRA2	00h
0026h	On-Chip Reference Voltage Control Register	OCVREFCR	00h
0027h			
0028h			
0029h	High-Speed On-Chip Oscillator Control Register 4	FRA4	When Shipping
002Ah	High-Speed On-Chip Oscillator Control Register 5	FRA5	When Shipping
002Bh	High-Speed On-Chip Oscillator Control Register 6	FRA6	When Shipping
002Ch			
002Dh			
002Eh			
002Fh	High-Speed On-Chip Oscillator Control Register 3	FRA3	When shipping
0030h	Voltage Monitor Circuit/Comparator A Control Register	CMPA	00h
0031h	Voltage Monitor Circuit Edge Select Register	VCAC	00h
0032h			
0033h	Voltage Detect Register 1	VCA1	00001000b
0034h	Voltage Detect Register 2	VCA2	00h (4) 00100000b (5)
0035h			
0036h	Voltage Detection 1 Level Select Register	VD1LS	00000111b
0037h			
0038h	Voltage Monitor 0 Circuit Control Register	VW0C	1100X010b (4) 1100X011b (5)
0039h	Voltage Monitor 1 Circuit Control Register	VW1C	10001010b

X: Undefined

Notes:

- Blank spaces are reserved. No access is allowed.
- The CWR bit in the RSTFR register is set to 0 after power-on, voltage monitor 0 reset, or exit from power-off mode. Hardware reset, software reset, or watchdog timer reset does not affect this bit.
- The CSPROINI bit in the OFS register is set to 0.
- The LVDAS bit in the OFS register is set to 1.
- The LVDAS bit in the OFS register is set to 0.

**Table 4.2 SFR Information (2) (1)**

Address	Register	Symbol	After Reset
003Ah	Voltage Monitor 2 Circuit Control Register	VW2C	1000010b
003Bh			
003Ch			
003Dh			
003Eh			
003Fh			
0040h			
0041h	Flash Memory Ready Interrupt Control Register	FMRDYIC	XXXXX000b
0042h			
0043h	INT7 Interrupt Control Register	INT7IC	XX00X000b
0044h	INT6 Interrupt Control Register	INT6IC	XX00X000b
0045h	INT5 Interrupt Control Register	INT5IC	XX00X000b
0046h	INT4 Interrupt Control Register	INT4IC	XX00X000b
0047h	Timer RC Interrupt Control Register	TRCIC	XXXXX000b
0048h	Timer RD0 Interrupt Control Register	TRD0IC	XXXXX000b
0049h	Timer RD1 Interrupt Control Register	TRD1IC	XXXXX000b
004Ah	Timer RE Interrupt Control Register	TREIC	XXXXX000b
004Bh	UART2 Transmit Interrupt Control Register	S2TIC	XXXXX000b
004Ch	UART2 Receive Interrupt Control Register	S2RIC	XXXXX000b
004Dh	Key Input Interrupt Control Register	KUPIC	XXXXX000b
004Eh	A/D Conversion Interrupt Control Register	ADIC	XXXXX000b
004Fh	SSU Interrupt Control Register / IIC bus Interrupt Control Register (2)	SSUIC/IICIC	XXXXX000b
0050h			
0051h	UART0 Transmit Interrupt Control Register	S0TIC	XXXXX000b
0052h	UART0 Receive Interrupt Control Register	S0RIC	XXXXX000b
0053h	UART1 Transmit Interrupt Control Register	S1TIC	XXXXX000b
0054h	UART1 Receive Interrupt Control Register	S1RIC	XXXXX000b
0055h	INT2 Interrupt Control Register	INT2IC	XX00X000b
0056h	Timer RA Interrupt Control Register	TRAIC	XXXXX000b
0057h			
0058h	Timer RB Interrupt Control Register	TRBIC	XXXXX000b
0059h	INT1 Interrupt Control Register	INT1IC	XX00X000b
005Ah	INT3 Interrupt Control Register	INT3IC	XX00X000b
005Bh			
005Ch			
005Dh	INT0 Interrupt Control Register	INT0IC	XX00X000b
005Eh	UART2 Bus Collision Detection Interrupt Control Register	U2BCNIC	XXXXX000b
005Fh			
0060h			
0061h			
0062h			
0063h			
0064h			
0065h			
0066h			
0067h			
0068h			
0069h			
006Ah			
006Bh	Timer RG Interrupt Control Register	TRGIC	XXXXX000b
006Ch			
006Dh			
006Eh			
006Fh			
0070h			
0071h			
0072h	Voltage monitor 1 / Comparator A1 Interrupt Control Register	VCMP1IC	XXXXX000b
0073h	Voltage monitor 2 / Comparator A2 Interrupt Control Register	VCMP2IC	XXXXX000b
0074h			
0075h			
0076h			
0077h			
0078h			
0079h			
007Ah			
007Bh			
007Ch			
007Dh			
007Eh			
007Fh			

X: Undefined

Notes:

- Blank spaces are reserved. No access is allowed.
- Selectable by the IICSEL bit in the SSUICSR register.

**Table 4.3 SFR Information (3) (1)**

Address	Register	Symbol	After Reset
0080h	DTC Activation Control Register	DTCTL	00h
0081h			
0082h			
0083h			
0084h			
0085h			
0086h			
0087h			
0088h	DTC Activation Enable Register 0	DTCEN0	00h
0089h	DTC Activation Enable Register 1	DTCEN1	00h
008Ah	DTC Activation Enable Register 2	DTCEN2	00h
008Bh	DTC Activation Enable Register 3	DTCEN3	00h
008Ch	DTC Activation Enable Register 4	DTCEN4	00h
008Dh	DTC Activation Enable Register 5	DTCEN5	00h
008Eh	DTC Activation Enable Register 6	DTCEN6	00h
008Fh			
0090h			
0091h			
0092h			
0093h			
0094h			
0095h			
0096h			
0097h			
0098h			
0099h			
009Ah			
009Bh			
009Ch			
009Dh			
009Eh			
009Fh			
00A0h	UART0 Transmit/Receive Mode Register	U0MR	00h
00A1h	UART0 Bit Rate Register	U0BRG	XXh
00A2h	UART0 Transmit Buffer Register	U0TB	XXh
00A3h			XXh
00A4h	UART0 Transmit/Receive Control Register 0	U0C0	00001000b
00A5h	UART0 Transmit/Receive Control Register 1	U0C1	00000010b
00A6h	UART0 Receive Buffer Register	U0RB	XXh
00A7h			XXh
00A8h	UART2 Transmit/Receive Mode Register	U2MR	00h
00A9h	UART2 Bit Rate Register	U2BRG	XXh
00AAh	UART2 Transmit Buffer Register	U2TB	XXh
00ABh			XXh
00ACh	UART2 Transmit/Receive Control Register 0	U2C0	00001000b
00ADh	UART2 Transmit/Receive Control Register 1	U2C1	00000010b
00AEh	UART2 Receive Buffer Register	U2RB	XXh
00AFh			XXh
00B0h	UART2 Digital Filter Function Select Register	URXDF	00h
00B1h			
00B2h			
00B3h			
00B4h			
00B5h			
00B6h			
00B7h			
00B8h			
00B9h			
00BAh			
00BBh	UART2 Special Mode Register 5	U2SMR5	00h
00BCh	UART2 Special Mode Register 4	U2SMR4	00h
00BDh	UART2 Special Mode Register 3	U2SMR3	000X0X0Xb
00BEh	UART2 Special Mode Register 2	U2SMR2	X0000000b
00BFh	UART2 Special Mode Register	U2SMR	X0000000b

X: Undefined

Note:

- Blank spaces are reserved. No access is allowed.

**Table 4.4 SFR Information (4) (1)**

Address	Register	Symbol	After Reset
00C0h	A/D Register 0	AD0	XXh
00C1h			000000XXb
00C2h	A/D Register 1	AD1	XXh
00C3h			000000XXb
00C4h	A/D Register 2	AD2	XXh
00C5h			000000XXb
00C6h	A/D Register 3	AD3	XXh
00C7h			000000XXb
00C8h	A/D Register 4	AD4	XXh
00C9h			000000XXb
00CAh	A/D Register 5	AD5	XXh
00CBh			000000XXb
00CCh	A/D Register 6	AD6	XXh
00CDh			000000XXb
00CEh	A/D Register 7	AD7	XXh
00CFh			000000XXb
00D0h			
00D1h			
00D2h			
00D3h			
00D4h	A/D Mode Register	ADMOD	00h
00D5h	A/D Input Select Register	ADINSEL	11000000b
00D6h	A/D Control Register 0	ADCON0	00h
00D7h	A/D Control Register 1	ADCON1	00h
00D8h	D/A 0 Register	DA0	00h
00D9h	D/A 1 Register	DA1	00h
00DAh			
00DBh			
00DCh	D/A Control Register	DACON	00h
00DDh			
00DEh			
00DFh			
00E0h	Port P0 Register	P0	XXh
00E1h	Port P1 Register	P1	XXh
00E2h	Port P0 Direction Register	PD0	00h
00E3h	Port P1 Direction Register	PD1	00h
00E4h	Port P2 Register	P2	XXh
00E5h	Port P3 Register	P3	XXh
00E6h	Port P2 Direction Register	PD2	00h
00E7h	Port P3 Direction Register	PD3	00h
00E8h	Port P4 Register	P4	XXh
00E9h	Port P5 Register	P5	XXh
00EAh	Port P4 Direction Register	PD4	00h
00EBh	Port P5 Direction Register	PD5	00h
00ECh	Port P6 Register	P6	XXh
00EDh	Port P7 Register	P7	XXh
00EEh	Port P6 Direction Register	PD6	00h
00EFh	Port P7 Direction Register	PD7	00h
00F0h			
00F1h			
00F2h			
00F3h			
00F4h	Port P10 Register	P10	XXh
00F5h	Port P11 Register	P11	XXh
00F6h	Port P10 Direction Register	PD10	00h
00F7h	Port P11 Direction Register	PD11	00h
00F8h	Port P12 Register	P12	XXh
00F9h	Port P13 Register	P13	XXh
00FAh	Port P12 Direction Register	PD12	00h
00FBh	Port P13 Direction Register	PD13	00h
00FCh			
00FDh			
00FEh			
00FFh			

X: Undefined

Note:

- Blank spaces are reserved. No access is allowed.

**Table 4.5 SFR Information (5) (1)**

Address	Register	Symbol	After Reset
0100h	Timer RA Control Register	TRACR	00h
0101h	Timer RA I/O Control Register	TRAIOC	00h
0102h	Timer RA Mode Register	TRAMR	00h
0103h	Timer RA Prescaler Register	TRAPRE	FFh
0104h	Timer RA Register	TRA	FFh
0105h	LIN Control Register 2	LINCR2	00h
0106h	LIN Control Register	LINCR	00h
0107h	LIN Status Register	LINST	00h
0108h	Timer RB Control Register	TRBCR	00h
0109h	Timer RB One-Shot Control Register	TRBOCR	00h
010Ah	Timer RB I/O Control Register	TRBIOC	00h
010Bh	Timer RB Mode Register	TRBMR	00h
010Ch	Timer RB Prescaler Register	TRBPRE	FFh
010Dh	Timer RB Secondary Register	TRBSC	FFh
010Eh	Timer RB Primary Register	TRBPR	FFh
010Fh			
0110h			
0111h			
0112h			
0113h			
0114h			
0115h			
0116h			
0117h			
0118h	Timer RE Second Data Register / Timer RE Counter Data Register	TRESEC	XXh
0119h	Timer RE Minute Data Register / Timer RE Compare Data Register	TREMIN	XXh
011Ah	Timer RE Hour Data Register	TREHR	XXh
011Bh	Timer RE Day of Week Data Register	TREWK	XXh
011Ch	Timer RE Control Register 1	TRECR1	XXXXX0XXb
011Dh	Timer RE Control Register 2	TRECR2	XXh
011Eh	Timer RE Count Source Select Register	TRECSR	00001000b
011Fh			
0120h	Timer RC Mode Register	TRCMR	01001000b
0121h	Timer RC Control Register 1	TRCCR1	00h
0122h	Timer RC Interrupt Enable Register	TRCIER	01110000b
0123h	Timer RC Status Register	TRCSR	01110000b
0124h	Timer RC I/O Control Register 0	TRCIOR0	10001000b
0125h	Timer RC I/O Control Register 1	TRCIOR1	10001000b
0126h	Timer RC Counter	TRC	00h
0127h			00h
0128h	Timer RC General Register A	TRCGRA	FFh
0129h			FFh
012Ah	Timer RC General Register B	TRCGRB	FFh
012Bh			FFh
012Ch	Timer RC General Register C	TRCGRC	FFh
012Dh			FFh
012Eh	Timer RC General Register D	TRCGRD	FFh
012Fh			FFh
0130h	Timer RC Control Register 2	TRCCR2	00011000b
0131h	Timer RC Digital Filter Function Select Register	TRCDF	00h
0132h	Timer RC Output Master Enable Register	TRCOER	01111111b
0133h	Timer RC Trigger Control Register	TRCADCR	00h
0134h			
0135h	Timer RD Control Expansion Register	TRDECR	00h
0136h	Timer RD Trigger Control Register	TRDADCR	00h
0137h	Timer RD Start Register	TRDSTR	11111100b
0138h	Timer RD Mode Register	TRDMR	00001110b
0139h	Timer RD PWM Mode Register	TRDPMR	10001000b
013Ah	Timer RD Function Control Register	TRDFCR	10000000b
013Bh	Timer RD Output Master Enable Register 1	TRDOER1	FFh
013Ch	Timer RD Output Master Enable Register 2	TRDOER2	01111111b
013Dh	Timer RD Output Control Register	TRDOCR	00h
013Eh	Timer RD Digital Filter Function Select Register 0	TRDDF0	00h
013Fh	Timer RD Digital Filter Function Select Register 1	TRDDF1	00h

X: Undefined

Note:

- Blank spaces are reserved. No access is allowed.

**Table 4.6 SFR Information (6) (1)**

Address	Register	Symbol	After Reset
0140h	Timer RD Control Register 0	TRDCR0	00h
0141h	Timer RD I/O Control Register A0	TRDIORA0	10001000b
0142h	Timer RD I/O Control Register C0	TRDIORC0	10001000b
0143h	Timer RD Status Register 0	TRDSR0	11100000b
0144h	Timer RD Interrupt Enable Register 0	TRDIER0	11100000b
0145h	Timer RD PWM Mode Output Level Control Register 0	TRDPOCR0	11111000b
0146h	Timer RD Counter 0	TRD0	00h
0147h			00h
0148h	Timer RD General Register A0	TRDGRA0	FFh
0149h			FFh
014Ah	Timer RD General Register B0	TRDGRB0	FFh
014Bh			FFh
014Ch	Timer RD General Register C0	TRDGRC0	FFh
014Dh			FFh
014Eh	Timer RD General Register D0	TRDGRD0	FFh
014Fh			FFh
0150h	Timer RD Control Register 1	TRDCR1	00h
0151h	Timer RD I/O Control Register A1	TRDIORA1	10001000b
0152h	Timer RD I/O Control Register C1	TRDIORC1	10001000b
0153h	Timer RD Status Register 1	TRDSR1	11000000b
0154h	Timer RD Interrupt Enable Register 1	TRDIER1	11100000b
0155h	Timer RD PWM Mode Output Level Control Register 1	TRDPOCR1	11111000b
0156h	Timer RD Counter 1	TRD1	00h
0157h			00h
0158h	Timer RD General Register A1	TRDGRA1	FFh
0159h			FFh
015Ah	Timer RD General Register B1	TRDGRB1	FFh
015Bh			FFh
015Ch	Timer RD General Register C1	TRDGRC1	FFh
015Dh			FFh
015Eh	Timer RD General Register D1	TRDGRD1	FFh
015Fh			FFh
0160h	UART1 Transmit/Receive Mode Register	U1MR	00h
0161h	UART1 Bit Rate Register	U1BRG	XXh
0162h	UART1 Transmit Buffer Register	U1TB	XXh
0163h			XXh
0164h	UART1 Transmit/Receive Control Register 0	U1C0	00001000b
0165h	UART1 Transmit/Receive Control Register 1	U1C1	00000010b
0166h	UART1 Receive Buffer Register	U1RB	XXh
0167h			XXh
0168h			
0169h			
016Ah			
016Bh			
016Ch			
016Dh			
016Eh			
016Fh			
0170h	Timer RG Mode Register	TRGMR	01000000b
0171h	Timer RG Count Control Register	TRGCNTC	00h
0172h	Timer RG Control Register	TRGCR	10000000b
0173h	Timer RG Interrupt Enable Register	TRGIER	11110000b
0174h	Timer RG Status Register	TRGSR	11100000b
0175h	Timer RG I/O Control Register	TRGIOR	00h
0176h	Timer RG Counter	TRG	00h
0177h			00h
0178h	Timer RG General Register A	TRGGRA	FFh
0179h			FFh
017Ah	Timer RG General Register B	TRGGRB	FFh
017Bh			FFh
017Ch	Timer RG General Register C	TRGGRC	FFh
017Dh			FFh
017Eh	Timer RG General Register D	TRGGRD	FFh
017Fh			FFh

X: Undefined

Note:

- Blank spaces are reserved. No access is allowed.



**Table 4.7 SFR Information (7) (1)**

Address	Register	Symbol	After Reset
0180h	Timer RA Pin Select Register	TRASR	00h
0181h	Timer RB/RC Pin Select Register	TRBRCSR	00h
0182h	Timer RC Pin Select Register 0	TRCPSR0	00h
0183h	Timer RC Pin Select Register 1	TRCPSR1	00h
0184h	Timer RD Pin Select Register 0	TRDPSR0	00h
0185h	Timer RD Pin Select Register 1	TRDPSR1	00h
0186h			
0187h	Timer RG Pin Select Register	TRGPSR	00h
0188h	UART0 Pin Select Register	U0SR	00h
0189h	UART1 Pin Select Register	U1SR	00h
018Ah	UART2 Pin Select Register 0	U2SR0	00h
018Bh	UART2 Pin Select Register 1	U2SR1	00h
018Ch	SSU/IIC Pin Select Register	SSUIICSR	00h
018Dh	Key Input Pin Select Register	KISR	00h
018Eh	INT Interrupt Input Pin Select Register	INTSR	00h
018Fh	I/O Function Pin Select Register	PINSR	00h
0190h			
0191h			
0192h			
0193h	SS Bit Counter Register	SSBR	11111000b
0194h	SS Transmit Data Register L / IIC bus Transmit Data Register (2)	SSTDR/ICDRT	FFh
0195h	SS Transmit Data Register H	SSTDRH	FFh
0196h	SS Receive Data Register L / IIC bus Receive Data Register (2)	SSRDR/ICDRR	FFh
0197h	SS Receive Data Register H (2)	SSRDRH	FFh
0198h	SS Control Register H / IIC bus Control Register 1 (2)	SSCRH/ICCR1	00h
0199h	SS Control Register L / IIC bus Control Register 2 (2)	SSCRL/ICCR2	01111101b
019Ah	SS Mode Register / IIC bus Mode Register (2)	SSMR/ICMR	00010000b/00011000b
019Bh	SS Enable Register / IIC bus Interrupt Enable Register (2)	SSER/ICIER	00h
019Ch	SS Status Register / IIC bus Status Register (2)	SSSR/ICSR	00h/0000X000b
019Dh	SS Mode Register 2 / Slave Address Register (2)	SSMR2/SAR	00h
019Eh			
019Fh			
01A0h			
01A1h			
01A2h			
01A3h			
01A4h			
01A5h			
01A6h			
01A7h			
01A8h			
01A9h			
01AAh			
01ABh			
01ACh			
01ADh			
01AEh			
01AFh			
01B0h			
01B1h			
01B2h	Flash Memory Status Register	FST	10000X00b
01B3h			
01B4h	Flash Memory Control Register 0	FMR0	00h
01B5h	Flash Memory Control Register 1	FMR1	00h
01B6h	Flash Memory Control Register 2	FMR2	00h
01B7h			
01B8h			
01B9h			
01BAh			
01BBh			
01BCh			
01BDh			
01BEh			
01BFh			

X: Undefined

Notes:

- Blank spaces are reserved. No access is allowed.
- Selectable by the IICSEL bit in the SSUIICSR register.

**Table 4.8 SFR Information (8) (1)**

Address	Register	Symbol	After Reset
01C0h	Address Match Interrupt Register 0	RMAD0	XXh
01C1h			XXh
01C2h			0000XXXXb
01C3h	Address Match Interrupt Enable Register 0	AIER0	00h
01C4h	Address Match Interrupt Register 1	RMAD1	XXh
01C5h			XXh
01C6h			0000XXXXb
01C7h	Address Match Interrupt Enable Register 1	AIER1	00h
01C8h			
01C9h			
01CAh			
01CBh			
01CCh			
01CDh			
01CEh			
01CFh			
01D0h			
01D1h			
01D2h			
01D3h			
01D4h			
01D5h			
01D6h			
01D7h			
01D8h			
01D9h			
01DAh			
01DBh			
01DCh			
01DDh			
01DEh			
01DFh			
01E0h	Port P0 Pull-Up Control Register	P0PUR	00h
01E1h	Port P1 Pull-Up Control Register	P1PUR	00h
01E2h	Port P2 Pull-Up Control Register	P2PUR	00h
01E3h	Port P3 Pull-Up Control Register	P3PUR	00h
01E4h	Port P4 Pull-Up Control Register	P4PUR	00h
01E5h	Port P5 Pull-Up Control Register	P5PUR	00h
01E6h	Port P6 Pull-Up Control Register	P6PUR	00h
01E7h	Port P7 Pull-Up Control Register	P7PUR	00h
01E8h			
01E9h			
01EAh	Port P10 Pull-Up Control Register	P10PUR	00h
01EBh	Port P11 Pull-Up Control Register	P11PUR	00h
01ECh	Port P12 Pull-Up Control Register	P12PUR	00h
01EDh	Port P13 Pull-Up Control Register	P13PUR	00h
01EEh			
01EFh			
01F0h	Port P10 Drive Capacity Control Register	P10DRR	00h
01F1h	Port P11 Drive Capacity Control Register	P11DRR	00h
01F2h			
01F3h			
01F4h			
01F5h	Input Threshold Control Register 0	VLT0	00h
01F6h	Input Threshold Control Register 1	VLT1	00h
01F7h	Input Threshold Control Register 2	VLT2	00h
01F8h	Comparator B Control Register 0	INTCMP	00h
01F9h			
01FAh	External Input Enable Register 0	INTEN	00h
01FBh	External Input Enable Register 1	INTEN1	00h
01FCh	INT Input Filter Select Register 0	INTF	00h
01FDh	INT Input Filter Select Register 1	INTF1	00h
01FEh	Key Input Enable Register 0	KIEN	00h
01FFh	Key Input Enable Register 1	KIEN1	00h

X: Undefined

Note:

- Blank spaces are reserved. No access is allowed.

**Table 4.9 SFR Information (9) (1)**

Address	Register	Symbol	After Reset
0200h	LCD Control Register	LCR0	00h
0201h	LCD Bias Control Register	LCR1	00h
0202h	LCD Display Control Register	LCR2	X0000000b
0203h	LCD Clock Control Register	LCR3	00h
0204h			
0205h			
0206h	LCD Port Select Register 0	LSE0	00h
0207h	LCD Port Select Register 1	LSE1	00h
0208h	LCD Port Select Register 2	LSE2	00h
0209h	LCD Port Select Register 3	LSE3	00h
020Ah	LCD Port Select Register 4	LSE4	00h
020Bh	LCD Port Select Register 5	LSE5	00h
020Ch	LCD Port Select Register 6	LSE6	00h
020Dh	LCD Port Select Register 7	LSE7	00h
020Eh			
020Fh			
0210h	LCD Display Data Register	LRA0L	XXh
0211h		LRA1L	XXh
0212h		LRA2L	XXh
0213h		LRA3L	XXh
0214h		LRA4L	XXh
0215h		LRA5L	XXh
0216h		LRA6L	XXh
0217h		LRA7L	XXh
0218h		LRA8L	XXh
0219h		LRA9L	XXh
021Ah		LRA10L	XXh
021Bh		LRA11L	XXh
021Ch		LRA12L	XXh
021Dh		LRA13L	XXh
021Eh		LRA14L	XXh
021Fh		LRA15L	XXh
0220h		LRA16L	XXh
0221h		LRA17L	XXh
0222h		LRA18L	XXh
0223h		LRA19L	XXh
0224h		LRA20L	XXh
0225h		LRA21L	XXh
0226h		LRA22L	XXh
0227h		LRA23L	XXh
0228h		LRA24L	XXh
0229h		LRA25L	XXh
022Ah		LRA26L	XXh
022Bh		LRA27L	XXh
022Ch		LRA28L	XXh
022Dh		LRA29L	XXh
022Eh		LRA30L	XXh
022Fh		LRA31L	XXh
0230h		LRA32L	XXh
0231h		LRA33L	XXh
0232h		LRA34L	XXh
0233h		LRA35L	XXh
0234h		LRA36L	XXh
0235h		LRA37L	XXh
0236h		LRA38L	XXh
0237h		LRA39L	XXh
0238h		LRA40L	XXh
0239h		LRA41L	XXh
023Ah		LRA42L	XXh
023Bh		LRA43L	XXh
023Ch		LRA44L	XXh
023Dh		LRA45L	XXh
023Eh		LRA46L	XXh
023Fh		LRA47L	XXh

X: Undefined

Note:

- Blank spaces are reserved. No access is allowed.

**Table 4.10 SFR Information (10) (1)**

Address	Register	Symbol	After Reset
0240h	LCD Display Data Register	LRA48L	XXh
0241h		LRA49L	XXh
0242h		LRA50L	XXh
0243h		LRA51L	XXh
0244h		LRA52L	XXh
0245h		LRA53L	XXh
0246h		LRA54L	XXh
0247h		LRA55L	XXh
0248h		LRA56L	XXh
0249h		LRA57L	XXh
024Ah		LRA58L	XXh
024Bh		LRA59L	XXh
024Ch		LRA60L	XXh
024Dh		LRA61L	XXh
024Eh		LRA62L	XXh
024Fh		LRA63L	XXh
0250h		LRA64L	XXh
0251h		LRA65L	XXh
0252h		LRA66L	XXh
0253h		LRA67L	XXh
0254h		LRA68L	XXh
0255h		LRA69L	XXh
0256h		LRA70L	XXh
0257h		LRA71L	XXh
0258h		LRA72L	XXh
0259h		LRA73L	XXh
025Ah		LRA74L	XXh
025Bh		LRA75L	XXh
025Ch		LRA76L	XXh
025Dh		LRA77L	XXh
025Eh		LRA78L	XXh
025Fh		LRA79L	XXh
0260h	LRA80L	XXh	
0261h	LRA81L	XXh	
0262h	LRA82L	XXh	
0263h	LRA83L	XXh	
0264h	LRA84L	XXh	
0265h	LRA85L	XXh	
0266h	LRA86L	XXh	
0267h	LRA87L	XXh	
0268h	LRA88L	XXh	
0269h	LRA89L	XXh	
026Ah	LRA90L	XXh	
026Bh	LRA91L	XXh	
026Ch	LRA92L	XXh	
026Dh	LRA93L	XXh	
026Eh	LRA94L	XXh	
026Fh	LRA95L	XXh	
0270h	LCD Display Control Data Register	LRA0H	XXh
0271h		LRA1H	XXh
0272h		LRA2H	XXh
0273h		LRA3H	XXh
0274h		LRA4H	XXh
0275h		LRA5H	XXh
0276h		LRA6H	XXh
0277h		LRA7H	XXh
0278h		LRA8H	XXh
0279h		LRA9H	XXh
027Ah		LRA10H	XXh
027Bh		LRA11H	XXh
027Ch		LRA12H	XXh
027Dh		LRA13H	XXh
027Eh		LRA14H	XXh
027Fh	LRA15H	XXh	

X: Undefined

Note:

- Blank spaces are reserved. No access is allowed.

**Table 4.11 SFR Information (11) (1)**

Address	Register	Symbol	After Reset
0280h	LCD Display Control Data Register	LRA16H	XXh
0281h		LRA17H	XXh
0282h		LRA18H	XXh
0283h		LRA19H	XXh
0284h		LRA20H	XXh
0285h		LRA21H	XXh
0286h		LRA22H	XXh
0287h		LRA23H	XXh
0288h		LRA24H	XXh
0289h		LRA25H	XXh
028Ah		LRA26H	XXh
028Bh		LRA27H	XXh
028Ch		LRA28H	XXh
028Dh		LRA29H	XXh
028Eh		LRA30H	XXh
028Fh		LRA31H	XXh
0290h		LRA32H	XXh
0291h		LRA33H	XXh
0292h		LRA34H	XXh
0293h		LRA35H	XXh
0294h		LRA36H	XXh
0295h		LRA37H	XXh
0296h		LRA38H	XXh
0297h		LRA39H	XXh
0298h		LRA40H	XXh
0299h		LRA41H	XXh
029Ah		LRA42H	XXh
029Bh		LRA43H	XXh
029Ch		LRA44H	XXh
029Dh		LRA45H	XXh
029Eh		LRA46H	XXh
029Fh		LRA47H	XXh
02A0h		LRA48H	XXh
02A1h		LRA49H	XXh
02A2h		LRA50H	XXh
02A3h		LRA51H	XXh
02A4h		LRA52H	XXh
02A5h		LRA53H	XXh
02A6h		LRA54H	XXh
02A7h		LRA55H	XXh
02A8h		LRA56H	XXh
02A9h		LRA57H	XXh
02AAh		LRA58H	XXh
02ABh		LRA59H	XXh
02ACh		LRA60H	XXh
02ADh		LRA61H	XXh
02AEh		LRA62H	XXh
02AFh		LRA63H	XXh
02B0h	LRA64H	XXh	
02B1h	LRA65H	XXh	
02B2h	LRA66H	XXh	
02B3h	LRA67H	XXh	
02B4h	LRA68H	XXh	
02B5h	LRA69H	XXh	
02B6h	LRA70H	XXh	
02B7h	LRA71H	XXh	
02B8h	LRA72H	XXh	
02B9h	LRA73H	XXh	
02BAh	LRA74H	XXh	
02BBh	LRA75H	XXh	
02BCh	LRA76H	XXh	
02BDh	LRA77H	XXh	
02BEh	LRA78H	XXh	
02BFh	LRA79H	XXh	

X: Undefined

Note:

- Blank spaces are reserved. No access is allowed.

**Table 4.12 SFR Information (12) (1)**

Address	Register	Symbol	After Reset
02C0h	LCD Display Control Data Register	LRA80H	XXh
02C1h		LRA81H	XXh
02C2h		LRA82H	XXh
02C3h		LRA83H	XXh
02C4h		LRA84H	XXh
02C5h		LRA85H	XXh
02C6h		LRA86H	XXh
02C7h		LRA87H	XXh
02C8h		LRA88H	XXh
02C9h		LRA89H	XXh
02CAh		LRA90H	XXh
02CBh		LRA91H	XXh
02CCh		LRA92H	XXh
02CDh		LRA93H	XXh
02CEh		LRA94H	XXh
02CFh		LRA95H	XXh
02D0h			
02D1h			
02D2h			
02D3h			
02D4h			
02D5h			
02D6h			
02D7h			
02D8h			
02D9h			
02DAh			
02DBh			
02DCh			
02DDh			
02DEh			
02DFh			
02E0h			
02E1h			
02E2h			
02E3h			
02E4h			
02E5h			
02E6h			
02E7h			
02E8h			
02E9h			
02EAh			
02EBh			
02ECh			
02EDh			
02EEh			
02EFh			
02F0h			
02F1h			
02F2h			
02F3h			
02F4h			
02F5h			
02F6h			
02F7h			
02F8h			
02F9h			
02FAh			
02FBh			
02FCh			
02FDh			
02FEh			
02FFh			

X: Undefined

Note:

- Blank spaces are reserved. No access is allowed.

**Table 4.13 SFR Information (13) (1)**

Address	Register	Symbol	After Reset
2C00h	DTC Transfer Vector Area		XXh
2C01h	DTC Transfer Vector Area		XXh
2C02h	DTC Transfer Vector Area		XXh
2C03h	DTC Transfer Vector Area		XXh
2C04h	DTC Transfer Vector Area		XXh
2C05h	DTC Transfer Vector Area		XXh
2C06h	DTC Transfer Vector Area		XXh
2C07h	DTC Transfer Vector Area		XXh
2C08h	DTC Transfer Vector Area		XXh
2C09h	DTC Transfer Vector Area		XXh
2C0Ah	DTC Transfer Vector Area		XXh
:	DTC Transfer Vector Area		XXh
:	DTC Transfer Vector Area		XXh
2C3Ah	DTC Transfer Vector Area		XXh
2C3Bh	DTC Transfer Vector Area		XXh
2C3Ch	DTC Transfer Vector Area		XXh
2C3Dh	DTC Transfer Vector Area		XXh
2C3Eh	DTC Transfer Vector Area		XXh
2C3Fh	DTC Transfer Vector Area		XXh
2C40h	DTC Control Data 0	DTCD0	XXh
2C41h			XXh
2C42h			XXh
2C43h			XXh
2C44h			XXh
2C45h			XXh
2C46h			XXh
2C47h			XXh
2C48h	DTC Control Data 1	DTCD1	XXh
2C49h			XXh
2C4Ah			XXh
2C4Bh			XXh
2C4Ch			XXh
2C4Dh			XXh
2C4Eh			XXh
2C4Fh			XXh
2C50h	DTC Control Data 2	DTCD2	XXh
2C51h			XXh
2C52h			XXh
2C53h			XXh
2C54h			XXh
2C55h			XXh
2C56h			XXh
2C57h			XXh
2C58h	DTC Control Data 3	DTCD3	XXh
2C59h			XXh
2C5Ah			XXh
2C5Bh			XXh
2C5Ch			XXh
2C5Dh			XXh
2C5Eh			XXh
2C5Fh			XXh
2C60h	DTC Control Data 4	DTCD4	XXh
2C61h			XXh
2C62h			XXh
2C63h			XXh
2C64h			XXh
2C65h			XXh
2C66h			XXh
2C67h			XXh
2C68h	DTC Control Data 5	DTCD5	XXh
2C69h			XXh
2C6Ah			XXh
2C6Bh			XXh
2C6Ch			XXh
2C6Dh			XXh
2C6Eh			XXh
2C6Fh			XXh

X: Undefined

Note:

- Blank spaces are reserved. No access is allowed.

**Table 4.14 SFR Information (14) (1)**

Address	Register	Symbol	After Reset
2C70h	DTC Control Data 6	DTCD6	XXh
2C71h			XXh
2C72h			XXh
2C73h			XXh
2C74h			XXh
2C75h			XXh
2C76h			XXh
2C77h			XXh
2C78h	DTC Control Data 7	DTCD7	XXh
2C79h			XXh
2C7Ah			XXh
2C7Bh			XXh
2C7Ch			XXh
2C7Dh			XXh
2C7Eh			XXh
2C7Fh			XXh
2C80h	DTC Control Data 8	DTCD8	XXh
2C81h			XXh
2C82h			XXh
2C83h			XXh
2C84h			XXh
2C85h			XXh
2C86h			XXh
2C87h			XXh
2C88h	DTC Control Data 9	DTCD9	XXh
2C89h			XXh
2C8Ah			XXh
2C8Bh			XXh
2C8Ch			XXh
2C8Dh			XXh
2C8Eh			XXh
2C8Fh			XXh
2C90h	DTC Control Data 10	DTCD10	XXh
2C91h			XXh
2C92h			XXh
2C93h			XXh
2C94h			XXh
2C95h			XXh
2C96h			XXh
2C97h			XXh
2C98h	DTC Control Data 11	DTCD11	XXh
2C99h			XXh
2C9Ah			XXh
2C9Bh			XXh
2C9Ch			XXh
2C9Dh			XXh
2C9Eh			XXh
2C9Fh			XXh
2CA0h	DTC Control Data 12	DTCD12	XXh
2CA1h			XXh
2CA2h			XXh
2CA3h			XXh
2CA4h			XXh
2CA5h			XXh
2CA6h			XXh
2CA7h			XXh
2CA8h	DTC Control Data 13	DTCD13	XXh
2CA9h			XXh
2CAAh			XXh
2CABh			XXh
2CACH			XXh
2CADh			XXh
2CAEh			XXh
2CAFh			XXh

X: Undefined

Note:

- Blank spaces are reserved. No access is allowed.



**Table 4.15 SFR Information (15) (1)**

Address	Register	Symbol	After Reset
2CB0h	DTC Control Data 14	DTCD14	XXh
2CB1h			XXh
2CB2h			XXh
2CB3h			XXh
2CB4h			XXh
2CB5h			XXh
2CB6h			XXh
2CB7h			XXh
2CB8h	DTC Control Data 15	DTCD15	XXh
2CB9h			XXh
2CBAh			XXh
2CBBh			XXh
2CBCh			XXh
2CBDh			XXh
2CBEh			XXh
2CBFh			XXh
2CC0h	DTC Control Data 16	DTCD16	XXh
2CC1h			XXh
2CC2h			XXh
2CC3h			XXh
2CC4h			XXh
2CC5h			XXh
2CC6h			XXh
2CC7h			XXh
2CC8h	DTC Control Data 17	DTCD17	XXh
2CC9h			XXh
2CCAh			XXh
2CCBh			XXh
2CCCh			XXh
2CCDh			XXh
2CCEh			XXh
2CCFh			XXh
2CD0h	DTC Control Data 18	DTCD18	XXh
2CD1h			XXh
2CD2h			XXh
2CD3h			XXh
2CD4h			XXh
2CD5h			XXh
2CD6h			XXh
2CD7h			XXh
2CD8h	DTC Control Data 19	DTCD19	XXh
2CD9h			XXh
2CDAh			XXh
2CDBh			XXh
2CDCh			XXh
2CDDh			XXh
2CDEh			XXh
2CDFh			XXh
2CE0h	DTC Control Data 20	DTCD20	XXh
2CE1h			XXh
2CE2h			XXh
2CE3h			XXh
2CE4h			XXh
2CE5h			XXh
2CE6h			XXh
2CE7h			XXh
2CE8h	DTC Control Data 21	DTCD21	XXh
2CE9h			XXh
2CEAh			XXh
2CEBh			XXh
2CECh			XXh
2CEDh			XXh
2CEEh			XXh
2CEFh			XXh

X: Undefined

Note:

- Blank spaces are reserved. No access is allowed.

**Table 4.16 SFR Information (16) (1)**

Address	Register	Symbol	After Reset		
2CF0h	DTC Control Data 22	DTCD22	XXh		
2CF1h			XXh		
2CF2h			XXh		
2CF3h			XXh		
2CF4h			XXh		
2CF5h			XXh		
2CF6h			XXh		
2CF7h			XXh		
2CF8h			DTC Control Data 23	DTCD23	XXh
2CF9h					XXh
2CFAh	XXh				
2CFBh	XXh				
2CFCh	XXh				
2CFDh	XXh				
2CFEh	XXh				
2CFFh	XXh				
2D00h					
2D01h					
0FFDBh	Option Function Select Register 2	OFS2	(Note 2)		
:					
0FFFh	Option Function Select Register	OFS	(Note 2)		

X: Undefined

Notes:

- Blank spaces are reserved. No access is allowed.
- This register cannot be changed by a program. Use a flash programmer to write to it.

## 5. Electrical Characteristics

### 5.1 Absolute Maximum Ratings

**Table 5.1 Absolute Maximum Ratings**

Symbol	Parameter		Condition	Rated Value	Unit
V <sub>CC</sub> /AV <sub>CC</sub>	Supply voltage			-0.3 to 6.5	V
V <sub>i</sub>	Input voltage	XIN	XIN-XOUT oscillation on (oscillation buffer ON) <sup>(1)</sup>	-0.3 to 1.65	V
		XIN	XIN-XOUT oscillation on (oscillation buffer OFF) <sup>(1)</sup>	-0.3 to V <sub>CC</sub> + 0.3	V
		VL1		-0.3 to VL2	V
		VL2	R8C/L35A, R8C/L35B	VL1 to VL4	V
			R8C/L36A, R8C/L36B, R8C/L38A, R8C/L38B, R8C/L3AA, R8C/L3AB	VL1 to VL3	V
		VL3		VL2 to VL4	V
		VL4		VL3 to 6.5	V
		Other pins		-0.3 to V <sub>CC</sub> + 0.3	V
V <sub>o</sub>	Output voltage	XOUT	XIN-XOUT oscillation on (oscillation buffer ON) <sup>(1)</sup>	-0.3 to 1.65	V
		XOUT	XIN-XOUT oscillation on (oscillation buffer OFF) <sup>(1)</sup>	-0.3 to V <sub>CC</sub> + 0.3	V
		VL1		-0.3 to VL2	V
		VL2	R8C/L35A, R8C/L35B	VL1 to VL4	V
			R8C/L36A, R8C/L36B, R8C/L38A, R8C/L38B, R8C/L3AA, R8C/L3AB	VL1 to VL3	V
		VL3		VL2 to VL4	V
		VL4		-0.3 to 6.5	V
		CL1, CL2		-0.3 to 6.5	V
		COM0 to COM7		-0.3 to VL4	V
		SEG0 to SEG55		-0.3 to VL4	V
		Other pins		-0.3 to V <sub>CC</sub> + 0.3	V
P <sub>d</sub>	Power dissipation		-40°C ≤ T <sub>opr</sub> ≤ 85°C	500	mW
T <sub>opr</sub>	Operating ambient temperature			-20 to 85 (N version) / -40 to 85 (D version)	°C
T <sub>stg</sub>	Storage temperature			-65 to 150	°C

Note:

1. For the register settings for each operation, refer to **7. I/O Ports** and **9. Clock Generation Circuit** of Hardware Manual (REJ09B0441).

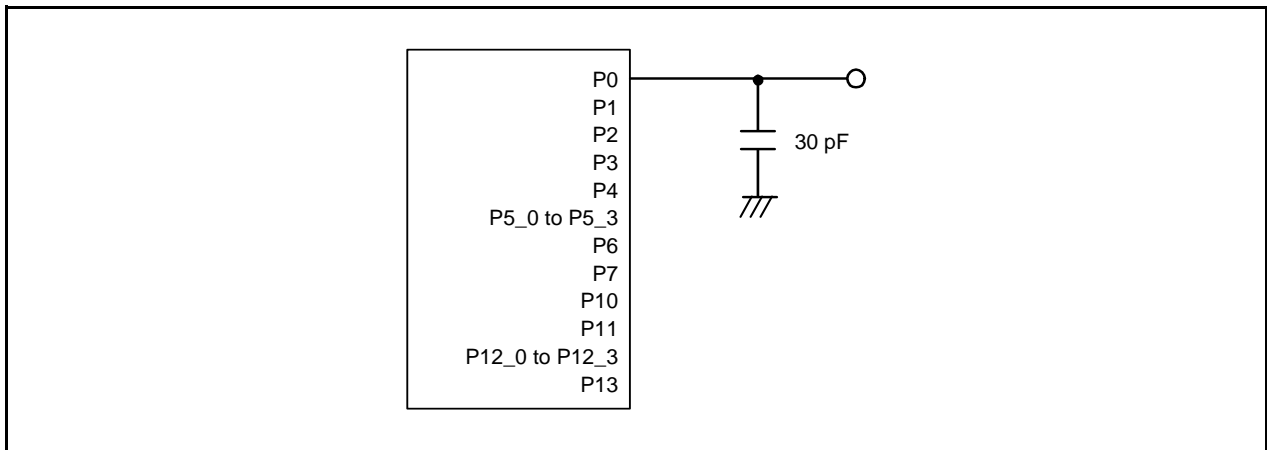
## 5.2 Recommended Operating Conditions

**Table 5.2 Recommended Operating Conditions**  
(VCC = 1.8 to 5.5 V and Topr = -20 to 85°C (N version) / -40 to 85°C (D version), unless otherwise specified.)

Symbol	Parameter		Conditions	Standard			Unit		
				Min.	Typ.	Max.			
VCC/AVCC	Supply voltage			1.8	–	5.5	V		
VSS/AVSS	Supply voltage			–	0	–	V		
VIH	Input “H” voltage	Other than CMOS input		4.0 V ≤ VCC ≤ 5.5 V	0.8 VCC	–	VCC	V	
				2.7 V ≤ VCC < 4.0 V	0.8 VCC	–	VCC	V	
				1.8 V ≤ VCC < 2.7 V	0.9 VCC	–	VCC	V	
		CMOS input	Input level switching function (I/O port)	Input level selection : 0.35 VCC	4.0 V ≤ VCC ≤ 5.5 V	0.5 VCC	–	VCC	V
					2.7 V ≤ VCC < 4.0 V	0.55 VCC	–	VCC	V
					1.8 V ≤ VCC < 2.7 V	0.65 VCC	–	VCC	V
				Input level selection : 0.5 VCC	4.0 V ≤ VCC ≤ 5.5 V	0.65 VCC	–	VCC	V
					2.7 V ≤ VCC < 4.0 V	0.7 VCC	–	VCC	V
					1.8 V ≤ VCC < 2.7 V	0.8 VCC	–	VCC	V
				Input level selection : 0.7 VCC	4.0 V ≤ VCC ≤ 5.5 V	0.85 VCC	–	VCC	V
					2.7 V ≤ VCC < 4.0 V	0.85 VCC	–	VCC	V
					1.8 V ≤ VCC < 2.7 V	0.85 VCC	–	VCC	V
VIL	Input “L” voltage	Other than CMOS input		4.0 V ≤ VCC ≤ 5.5 V	0	–	0.2 VCC	V	
				2.7 V ≤ VCC < 4.0 V	0	–	0.2 VCC	V	
				1.8 V ≤ VCC < 2.7 V	0	–	0.05 VCC	V	
		CMOS input	Input level switching function (I/O port)	Input level selection : 0.35 VCC	4.0 V ≤ VCC ≤ 5.5 V	0	–	0.2 VCC	V
					2.7 V ≤ VCC < 4.0 V	0	–	0.2 VCC	V
					1.8 V ≤ VCC < 2.7 V	0	–	0.2 VCC	V
				Input level selection : 0.5 VCC	4.0 V ≤ VCC ≤ 5.5 V	0	–	0.4 VCC	V
					2.7 V ≤ VCC < 4.0 V	0	–	0.3 VCC	V
					1.8 V ≤ VCC < 2.7 V	0	–	0.2 VCC	V
				Input level selection : 0.7 VCC	4.0 V ≤ VCC ≤ 5.5 V	0	–	0.55 VCC	V
					2.7 V ≤ VCC < 4.0 V	0	–	0.45 VCC	V
					1.8 V ≤ VCC < 2.7 V	0	–	0.35 VCC	V
IOH(sum)	Peak sum output “H” current	Sum of all pins IOH(peak)		–	–	–160	mA		
IOH(sum)	Average sum output “H” current	Sum of all pins IOH(avg)		–	–	–80	mA		
IOH(peak)	Peak output “H” current	Port P10, P11 (2)		–	–	–40	mA		
		Other pins		–	–	–10	mA		
IOH(avg)	Average output “H” current (1)	Port P10, P11 (2)		–	–	–20	mA		
		Other pins		–	–	–5	mA		
IOI(sum)	Peak sum output “L” current	Sum of all pins IOI(peak)		–	–	160	mA		
IOI(sum)	Average sum output “L” current	Sum of all pins IOI(avg)		–	–	80	mA		
IOI(peak)	Peak output “L” current	Port P10, P11 (2)		–	–	40	mA		
		Other pins		–	–	10	mA		
IOI(avg)	Average output “L” current (1)	Port P10, P11 (2)		–	–	20	mA		
		Other pins		–	–	5	mA		
f(XIN)	XIN clock input oscillation frequency		2.7 V ≤ VCC ≤ 5.5 V	–	–	20	MHz		
			1.8 V ≤ VCC < 2.7 V	–	–	5	MHz		
f(XCIN)	XCIN clock input oscillation frequency		1.8 V ≤ VCC ≤ 5.5 V	–	32.768	50	kHz		
fOCO40M	When used as the count source for timer RC, timer RD, or timer RG (3)		2.7 V ≤ VCC ≤ 5.5 V	32	–	40	MHz		
fOCO-F	fOCO-F frequency		2.7 V ≤ VCC ≤ 5.5 V	–	–	20	MHz		
			1.8 V ≤ VCC < 2.7 V	–	–	5	MHz		
–	System clock frequency		2.7 V ≤ VCC ≤ 5.5 V	–	–	20	MHz		
			1.8 V ≤ VCC < 2.7 V	–	–	5	MHz		
f(BCLK)	CPU clock frequency		2.7 V ≤ VCC ≤ 5.5 V	0	–	20	MHz		
			1.8 V ≤ VCC < 2.7 V	0	–	5	MHz		

Notes:

- The average output current indicates the average value of current measured during 100 ms.
- This applies when the drive capacity of the output transistor is set to High by registers P10DRR and P11DRR. When the drive capacity is set to Low, the value of any other pin applies.
- fOCO40M can be used as the count source for timer RC, timer RD, or timer RG in the range of VCC = 2.7 V to 5.5V.



**Figure 5.1** Ports P0 to P4, P5\_0 to P5\_3, P6, P7, P10, P11, P12\_0 to P12\_3, and P13 Timing Measurement Circuit

### 5.3 Peripheral Function Characteristics

**Table 5.3 A/D Converter Characteristics**  
 ( $V_{CC}/AV_{CC} = V_{ref} = 2.2$  to  $5.5$  V,  $V_{SS} = 0$  V, and  $T_{opr} = -20$  to  $85^{\circ}\text{C}$  (N version) /  
 $-40$  to  $85^{\circ}\text{C}$  (D version), unless otherwise specified.)

Symbol	Parameter		Conditions	Standard			Unit
				Min.	Typ.	Max.	
–	Resolution		$V_{ref} = AV_{CC}$	–	–	10	Bit
–	Absolute accuracy	10-bit mode	$V_{ref} = AV_{CC} = 5.0$ V AN0 to AN19 input	–	–	$\pm 3$	LSB
			$V_{ref} = AV_{CC} = 3.3$ V AN0 to AN19 input	–	–	$\pm 5$	LSB
			$V_{ref} = AV_{CC} = 3.0$ V AN0 to AN19 input	–	–	$\pm 5$	LSB
			$V_{ref} = AV_{CC} = 2.2$ V AN0 to AN19 input	–	–	$\pm 5$	LSB
		8-bit mode	$V_{ref} = AV_{CC} = 5.0$ V AN0 to AN19 input	–	–	$\pm 2$	LSB
			$V_{ref} = AV_{CC} = 3.3$ V AN0 to AN19 input	–	–	$\pm 2$	LSB
			$V_{ref} = AV_{CC} = 3.0$ V AN0 to AN19 input	–	–	$\pm 2$	LSB
			$V_{ref} = AV_{CC} = 2.2$ V AN0 to AN19 input	–	–	$\pm 2$	LSB
$\phi_{AD}$	A/D conversion clock		$4.0 \leq V_{ref} = AV_{CC} \leq 5.5$ V (1)	2	–	20	MHz
			$3.2 \leq V_{ref} = AV_{CC} \leq 5.5$ V (1)	2	–	16	MHz
			$2.7 \leq V_{ref} = AV_{CC} \leq 5.5$ V (1)	2	–	10	MHz
			$2.2 \leq V_{ref} = AV_{CC} \leq 5.5$ V (1)	2	–	5	MHz
–	Tolerance level impedance			–	3	–	k $\Omega$
DNL	Differential non-linearity error			–	–	$\pm 1$	LSB
$t_{CONV}$	Conversion time	10-bit mode	$V_{ref} = AV_{CC} = 5.0$ V, $\phi_{AD} = 20$ MHz	2.15	–	–	$\mu\text{s}$
		8-bit mode	$V_{ref} = AV_{CC} = 5.0$ V, $\phi_{AD} = 20$ MHz	2.15	–	–	$\mu\text{s}$
$t_{SAMP}$	Sampling time		$\phi_{AD} = 20$ MHz	0.75	–	–	$\mu\text{s}$
$I_{Vref}$	$V_{ref}$ current		$V_{CC} = 5$ V, $XIN = f1 = \phi_{AD} = 20$ MHz	–	45	–	$\mu\text{A}$
$V_{ref}$	Reference voltage			2.2	–	$AV_{CC}$	V
$V_{IA}$	Analog input voltage (2)			0	–	$V_{ref}$	V

Notes:

1. When the CPU and flash memory stop, the A/D conversion result will be undefined.
2. When the analog input voltage is over the reference voltage, the A/D conversion result will be 3FFh in 10-bit mode and FFh in 8-bit mode.

**Table 5.4 D/A Converter Characteristics**  
**(V<sub>CC</sub>/AV<sub>CC</sub> = V<sub>ref</sub> = 2.7 to 5.5 V and T<sub>opr</sub> = -20 to 85°C (N version) / -40 to 85°C (D version), unless otherwise specified.)**

Symbol	Parameter	Conditions	Standard			Unit
			Min.	Typ.	Max.	
–	Resolution		–	–	8	Bit
–	Absolute accuracy		–	–	2.5	LSB
t <sub>su</sub>	Setup time		–	–	3	μs
R <sub>O</sub>	Output resistor		–	6	–	kΩ
I <sub>vref</sub>	Reference power input current	(Note 1)	–	–	1.5	mA

Note:

1. This applies when one D/A converter is used and the value of the DA<sub>i</sub> register (i = 0 or 1) for the unused D/A converter is 00h. The resistor ladder of the A/D converter is not included.

**Table 5.5 Comparator A Characteristics**  
**(V<sub>CC</sub> = 2.7 to 5.5 V and T<sub>opr</sub> = -20 to 85°C (N version) / -40 to 85°C (D version), unless otherwise specified.)**

Symbol	Parameter	Condition	Standard			Unit
			Min.	Typ.	Max.	
LVREF	External reference voltage input range		1.4	–	V <sub>CC</sub>	V
LVCMP1, LVCMP2	External comparison voltage input range		-0.3	–	V <sub>CC</sub> + 0.3	V
–	Offset		–	50	200	mV
–	Comparator output delay time <sup>(1)</sup>	At falling, V <sub>I</sub> = V <sub>ref</sub> – 100 mV	–	3	–	μs
		At falling, V <sub>I</sub> = V <sub>ref</sub> – 1 V or below	–	1.5	–	μs
		At rising, V <sub>I</sub> = V <sub>ref</sub> + 100 mV	–	2	–	μs
		At rising, V <sub>I</sub> = V <sub>ref</sub> + 1 V or above	–	0.5	–	μs
–	Comparator operating current	V <sub>CC</sub> = 5.0 V	–	0.5	–	μA

Note:

1. When the digital filter is disabled.

**Table 5.6 Comparator B Characteristics**  
**(V<sub>CC</sub> = 2.7 to 5.5 V and T<sub>opr</sub> = -20 to 85°C (N version) / -40 to 85°C (D version), unless otherwise specified.)**

Symbol	Parameter	Condition	Standard			Unit
			Min.	Typ.	Max.	
V <sub>ref</sub>	IVREF1, IVREF3 input reference voltage		0	–	V <sub>CC</sub> – 1.4	V
V <sub>I</sub>	IVCMP1, IVCMP3 input voltage		-0.3	–	V <sub>CC</sub> + 0.3	V
–	Offset		–	5	100	mV
t <sub>d</sub>	Comparator output delay time <sup>(1)</sup>	V <sub>I</sub> = V <sub>ref</sub> ± 100 mV	–	0.1	–	μs
I <sub>CMP</sub>	Comparator operating current	V <sub>CC</sub> = 5.0 V	–	17.5	–	μA

Note:

1. When the digital filter is disabled.

**Table 5.7 Flash Memory (Program ROM) Characteristics**  
**(VCC = 2.7 to 5.5 V and T<sub>opr</sub> = 0 to 60°C, unless otherwise specified.)**

Symbol	Parameter	Conditions	Standard			Unit
			Min.	Typ.	Max.	
–	Program/erase endurance (1)		1,000 (2)	–	–	times
–	Byte program time		–	80	TBD	μs
–	Block erase time		–	0.3	TBD	s
t <sub>d</sub> (SR-SUS)	Time delay from suspend request until suspend		–	–	5 + CPU clock × 3 cycles	ms
–	Interval from erase start/restart until following suspend request		0	–	–	μs
–	Suspend interval necessary for auto-erase to complete		33	–	–	ms
–	Time from suspend until erase restart		–	–	30 + CPU clock × 1 cycle	μs
–	Program, erase voltage		2.7	–	5.5	V
–	Read voltage		1.8	–	5.5	V
–	Program, erase temperature		0	–	60	°C
–	Data hold time (6)	Ambient temperature = 55°C	20	–	–	year

Notes:

1. Definition of programming/erasure endurance  
 The programming and erasure endurance is defined on a per-block basis.  
 If the programming and erasure endurance is n (n = 1,000), each block can be erased n times. For example, if 1,024 1-byte writes are performed to different addresses in block A, a 1 Kbyte block, and then the block is erased, the programming/erasure endurance still stands at one.  
 However, the same address must not be programmed more than once per erase operation (overwriting prohibited).
2. Endurance to guarantee all electrical characteristics after program and erase. (1 to Min. value can be guaranteed).
3. In a system that executes multiple programming operations, the actual erasure count can be reduced by writing to sequential addresses in turn so that as much of the block as possible is used up before performing an erase operation. For example, when programming groups of 16 bytes, the effective number of rewrites can be minimized by programming up to 128 groups before erasing them all in one operation. It is also advisable to retain data on the erasure endurance of each block and limit the number of erase operations to a certain number.
4. If an error occurs during block erase, attempt to execute the clear status register command, then execute the block erase command at least three times until the erase error does not occur.
5. Customers desiring program/erase failure rate information should contact their Renesas technical support representative.
6. The data hold time includes time that the power supply is off or the clock is not supplied.

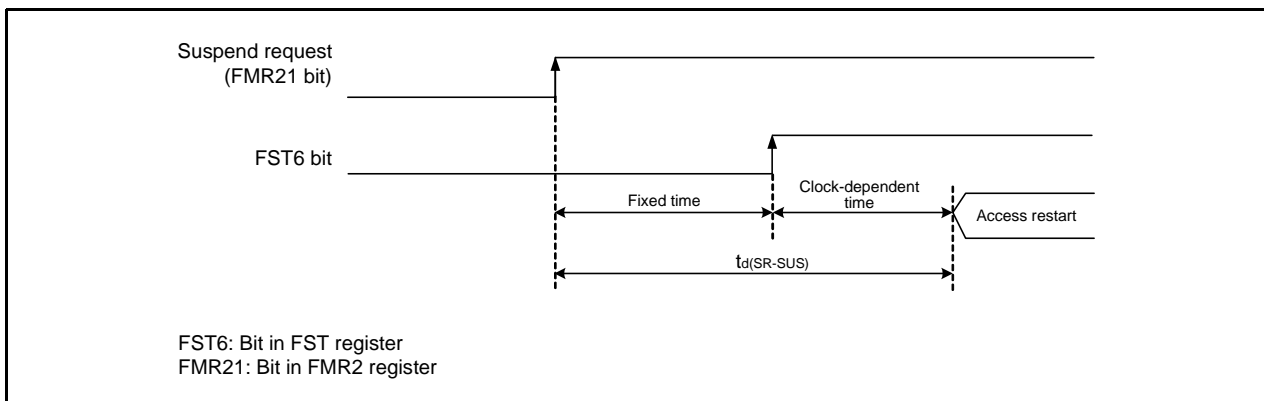


**Table 5.8 Flash Memory (Data flash Block A to Block D) Characteristics  
 (VCC = 2.7 to 5.5 V and T<sub>opr</sub> = -20 to 85°C (N version) / -40 to 85°C (D version), unless  
 otherwise specified.)**

Symbol	Parameter	Conditions	Standard			Unit
			Min.	Typ.	Max.	
–	Program/erase endurance (1)		10,000 (2)	–	–	times
–	Byte program time (program/erase endurance ≤ 1,000 times)		–	160	TBD	μs
–	Byte program time (program/erase endurance > 1,000 times)		–	300	–	μs
–	Block erase time (program/erase endurance ≤ 1,000 times)		–	0.2	–	s
–	Block erase time (program/erase endurance > 1,000 times)		–	0.3	–	s
t <sub>d</sub> (SR-SUS)	Time delay from suspend request until suspend		–	–	5 + CPU clock × 3 cycles	ms
–	Interval from erase start/restart until following suspend request		0	–	–	μs
–	Suspend interval necessary for auto-erasure to complete		33	–	–	ms
–	Time from suspend until erase restart		–	–	30 + CPU clock × 1 cycle	μs
–	Program, erase voltage		2.7	–	5.5	V
–	Read voltage		1.8	–	5.5	V
–	Program, erase temperature		-20 (6)	–	85	°C
–	Data hold time (7)	Ambient temperature = 55 °C	20	–	–	year

Notes:

- Definition of programming/erasure endurance  
 The programming and erasure endurance is defined on a per-block basis.  
 If the programming and erasure endurance is n (n = 10,000), each block can be erased n times. For example, if 1,024 1-byte writes are performed to different addresses in block A, a 1 Kbyte block, and then the block is erased, the programming/erasure endurance still stands at one.  
 However, the same address must not be programmed more than once per erase operation (overwriting prohibited).
- Endurance to guarantee all electrical characteristics after program and erase. (1 to Min. value can be guaranteed).
- In a system that executes multiple programming operations, the actual erasure count can be reduced by writing to sequential addresses in turn so that as much of the block as possible is used up before performing an erase operation. For example, when programming groups of 16 bytes, the effective number of rewrites can be minimized by programming up to 128 groups before erasing them all in one operation. In addition, averaging the erasure endurance between blocks A to D can further reduce the actual erasure endurance. It is also advisable to retain data on the erasure endurance of each block and limit the number of erase operations to a certain number.
- If an error occurs during block erase, attempt to execute the clear status register command, then execute the block erase command at least three times until the erase error does not occur.
- Customers desiring program/erase failure rate information should contact their Renesas technical support representative.
- 40°C for D version.
- The data hold time includes time that the power supply is off or the clock is not supplied.



**Figure 5.2 Time delay until Suspend**

**Table 5.9 Voltage Detection 0 Circuit Characteristics**  
**(V<sub>CC</sub> = 1.8 to 5.5 V and T<sub>opr</sub> = -20 to 85°C (N version) / -40 to 85°C (D version), unless otherwise specified.)**

Symbol	Parameter	Condition	Standard			Unit
			Min.	Typ.	Max.	
V <sub>det0</sub>	Voltage detection level V <sub>det0_0</sub> (1)		TBD	1.90	TBD	V
	Voltage detection level V <sub>det0_1</sub> (1)		TBD	2.35	TBD	V
	Voltage detection level V <sub>det0_2</sub> (1)		TBD	2.85	TBD	V
	Voltage detection level V <sub>det0_3</sub> (1)		TBD	3.80	TBD	V
–	Voltage detection 0 circuit response time (3)	At the falling of V <sub>CC</sub> from 5 V to (V <sub>det0_0</sub> - 0.1) V	–	6	150	μs
–	Voltage detection circuit self power consumption	VCA25 = 1, V <sub>CC</sub> = 5.0 V	–	1.5	–	μA
t <sub>d(E-A)</sub>	Waiting time until voltage detection circuit operation starts (2)		–	–	100	μs

Notes:

1. Select the voltage detection level with bits VDSEL0 and VDSEL1 in the OFS register.
2. Necessary time until the voltage detection circuit operates when setting to 1 again after setting the VCA25 bit in the VCA2 register to 0.
3. Time until the voltage monitor 0 reset is generated after the voltage passes V<sub>det0</sub>.

**Table 5.10 Voltage Detection 1 Circuit Characteristics**  
**(V<sub>CC</sub> = 1.8 to 5.5 V and T<sub>opr</sub> = -20 to 85°C (N version) / -40 to 85°C (D version), unless otherwise specified.)**

Symbol	Parameter	Condition	Standard			Unit
			Min.	Typ.	Max.	
V <sub>det1</sub>	Voltage detection level V <sub>det1_0</sub> (1)	At the falling of V <sub>CC</sub>	TBD	2.20	TBD	V
	Voltage detection level V <sub>det1_1</sub> (1)	At the falling of V <sub>CC</sub>	TBD	2.35	TBD	V
	Voltage detection level V <sub>det1_2</sub> (1)	At the falling of V <sub>CC</sub>	TBD	2.50	TBD	V
	Voltage detection level V <sub>det1_3</sub> (1)	At the falling of V <sub>CC</sub>	TBD	2.65	TBD	V
	Voltage detection level V <sub>det1_4</sub> (1)	At the falling of V <sub>CC</sub>	TBD	2.80	TBD	V
	Voltage detection level V <sub>det1_5</sub> (1)	At the falling of V <sub>CC</sub>	TBD	2.95	TBD	V
	Voltage detection level V <sub>det1_6</sub> (1)	At the falling of V <sub>CC</sub>	TBD	3.10	TBD	V
	Voltage detection level V <sub>det1_7</sub> (1)	At the falling of V <sub>CC</sub>	TBD	3.25	TBD	V
	Voltage detection level V <sub>det1_8</sub> (1)	At the falling of V <sub>CC</sub>	TBD	3.40	TBD	V
	Voltage detection level V <sub>det1_9</sub> (1)	At the falling of V <sub>CC</sub>	TBD	3.55	TBD	V
	Voltage detection level V <sub>det1_A</sub> (1)	At the falling of V <sub>CC</sub>	TBD	3.70	TBD	V
	Voltage detection level V <sub>det1_B</sub> (1)	At the falling of V <sub>CC</sub>	TBD	3.85	TBD	V
	Voltage detection level V <sub>det1_C</sub> (1)	At the falling of V <sub>CC</sub>	TBD	4.00	TBD	V
	Voltage detection level V <sub>det1_D</sub> (1)	At the falling of V <sub>CC</sub>	TBD	4.15	TBD	V
	Voltage detection level V <sub>det1_E</sub> (1)	At the falling of V <sub>CC</sub>	TBD	4.30	TBD	V
	Voltage detection level V <sub>det1_F</sub> (1)	At the falling of V <sub>CC</sub>	TBD	4.45	TBD	V
–	Hysteresis width at the rising of V <sub>CC</sub> in voltage detection 1 circuit	V <sub>det1_0</sub> to V <sub>det1_5</sub> selected	–	0.07	–	V
		V <sub>det1_6</sub> to V <sub>det1_F</sub> selected	–	0.10	–	V
–	Voltage detection 1 circuit response time (2)	At the falling of V <sub>CC</sub> from 5 V to (V <sub>det1_0</sub> - 0.1) V	–	60	150	μs
–	Voltage detection circuit self power consumption	VCA26 = 1, V <sub>CC</sub> = 5.0 V	–	1.7	–	μA
t <sub>d(E-A)</sub>	Waiting time until voltage detection circuit operation starts (3)		–	–	100	μs

Notes:

1. Select the voltage detection level with bits VD1S0 to VD1S3 in the VD1LS register.
2. Time until the voltage monitor 1 interrupt request is generated after the voltage passes V<sub>det1</sub>.
3. Necessary time until the voltage detection circuit operates when setting to 1 again after setting the VCA26 bit in the VCA2 register to 0.

**Table 5.11 Voltage Detection 2 Circuit Characteristics**  
**(VCC = 1.8 to 5.5 V and Topr = -20 to 85°C (N version) / -40 to 85°C (D version), unless otherwise specified.)**

Symbol	Parameter	Condition	Standard			Unit
			Min.	Typ.	Max.	
Vdet2	Voltage detection level Vdet2_0 (1)	At the falling of Vcc	TBD	4.00	TBD	V
	Voltage detection level Vdet2_EXT (1)	At the falling of LVCMP2	TBD	1.34	TBD	V
–	Hysteresis width at the rising of Vcc in voltage detection 2 circuit		–	0.10	–	V
–	Voltage detection 2 circuit response time (2)	At the falling of Vcc from 5 V to (Vdet2_0 – 0.1) V	–	20	150	μs
–	Voltage detection circuit self power consumption	VCA27 = 1, Vcc = 5.0 V	–	1.7	–	μA
td(E-A)	Waiting time until voltage detection circuit operation starts (3)		–	–	100	μs

Notes:

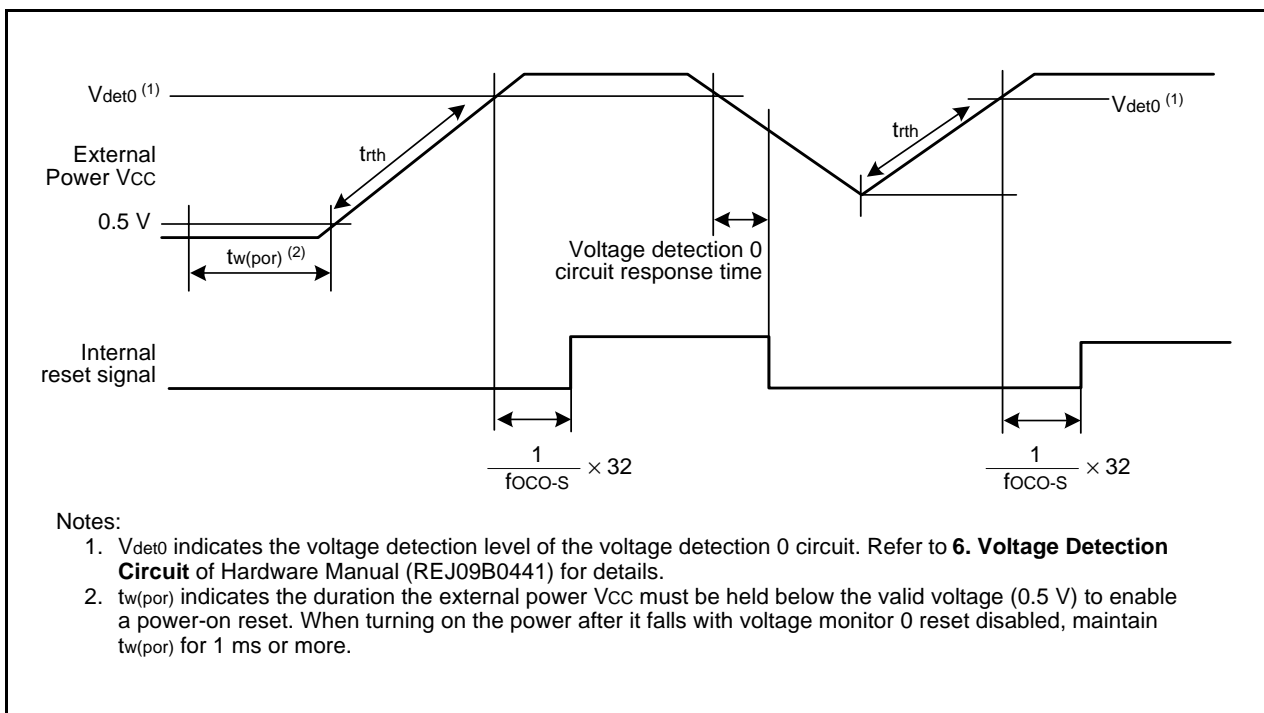
1. The voltage detection level varies with detection targets. Select the level with the VCA24 bit in the VCA2 register.
2. Time until the voltage monitor 2 interrupt request is generated after the voltage passes Vdet2.
3. Necessary time until the voltage detection circuit operates after setting to 1 again after setting the VCA27 bit in the VCA2 register to 0.

**Table 5.12 Power-on Reset Circuit Characteristics (2)**  
**(Topr = -20 to 85°C (N version) / -40 to 85°C (D version), unless otherwise specified.)**

Symbol	Parameter	Condition	Standard			Unit
			Min.	Typ.	Max.	
trth	External power Vcc rise gradient (1)		0	–	50000	mV/msec

Notes:

1. This condition (external power Vcc rise gradient) does not apply if Vcc ≥ 1.0 V.
2. To use the power-on reset function, enable voltage monitor 0 reset by setting the LVDAS bit in the OFS register to 0.



Notes:

1. Vdet0 indicates the voltage detection level of the voltage detection 0 circuit. Refer to 6. Voltage Detection Circuit of Hardware Manual (REJ09B0441) for details.
2. tw(por) indicates the duration the external power Vcc must be held below the valid voltage (0.5 V) to enable a power-on reset. When turning on the power after it falls with voltage monitor 0 reset disabled, maintain tw(por) for 1 ms or more.

**Figure 5.3 Power-on Reset Circuit Characteristics**

**Table 5.13 High-speed On-Chip Oscillator Circuit Characteristics**  
**(V<sub>CC</sub> = 1.8 to 5.5 V and T<sub>opr</sub> = -20 to 85°C (N version) / -40 to 85°C (D version), unless otherwise specified.)**

Symbol	Parameter	Condition	Standard			Unit
			Min.	Typ.	Max.	
-	High-speed on-chip oscillator frequency after reset	V <sub>CC</sub> = 5.0 V, T <sub>opr</sub> = 25°C	TBD	40	TBD	MHz
	High-speed on-chip oscillator frequency when the FRA4 register correction value is written into the FRA1 register and the FRA5 register correction value into the FRA3 register (2)		TBD	36.864	TBD	MHz
	High-speed on-chip oscillator frequency when the FRA6 register correction value is written into the FRA1 register and the FRA7 register correction value into the FRA3 register		TBD	32	TBD	MHz
	High-speed on-chip oscillator frequency temperature • supply voltage dependence (1)	V <sub>CC</sub> = 2.7 V to 5.5 V -20°C ≤ T <sub>opr</sub> ≤ 85°C	TBD	-	TBD	%
		V <sub>CC</sub> = 2.7 V to 5.5 V -40°C ≤ T <sub>opr</sub> ≤ 85°C	TBD	-	TBD	%
		V <sub>CC</sub> = 2.2 V to 5.5 V -20°C ≤ T <sub>opr</sub> ≤ 85°C	TBD	-	TBD	%
		V <sub>CC</sub> = 2.2 V to 5.5 V -40°C ≤ T <sub>opr</sub> ≤ 85°C	TBD	-	TBD	%
V <sub>CC</sub> = 1.8 V to 5.5 V -20°C ≤ T <sub>opr</sub> ≤ 85°C		TBD	-	TBD	%	
V <sub>CC</sub> = 1.8 V to 5.5 V -40°C ≤ T <sub>opr</sub> ≤ 85°C	TBD	-	TBD	%		
-	Oscillation stability time	V <sub>CC</sub> = 5.0 V, T <sub>opr</sub> = 25°C	-	100	450	μs
-	Self power consumption at oscillation	V <sub>CC</sub> = 5.0 V, T <sub>opr</sub> = 25°C	-	400	-	μA

Notes:

1. This indicates the precision error for the oscillation frequency of the high-speed on-chip oscillator.
2. This enables the setting errors of bit rates such as 9600 bps and 38400 bps to be 0% when the serial interface is used in UART mode.

**Table 5.14 Low-speed On-Chip Oscillator Circuit Characteristics**  
**(V<sub>CC</sub> = 1.8 to 5.5 V and T<sub>opr</sub> = -20 to 85°C (N version) / -40 to 85°C (D version), unless otherwise specified.)**

Symbol	Parameter	Condition	Standard			Unit
			Min.	Typ.	Max.	
fOCO-S	Low-speed on-chip oscillator frequency		112.5	125	137.5	kHz
-	Oscillation stability time	V <sub>CC</sub> = 5.0 V, T <sub>opr</sub> = 25°C	-	30	100	μs
-	Self power consumption at oscillation	V <sub>CC</sub> = 5.0 V, T <sub>opr</sub> = 25°C	-	3	-	μA
fOCO-WDT	Low-speed on-chip oscillator frequency for the watchdog timer		60	125	250	kHz
-	Oscillation stability time	V <sub>CC</sub> = 5.0 V, T <sub>opr</sub> = 25°C	-	30	100	μs
-	Self power consumption at oscillation	V <sub>CC</sub> = 5.0 V, T <sub>opr</sub> = 25°C	-	2	-	μA

**Table 5.15 Power Supply Circuit Characteristics**  
**(V<sub>CC</sub> = 1.8 to 5.5 V, V<sub>SS</sub> = 0 V, and T<sub>opr</sub> = 25°C, unless otherwise specified.)**

Symbol	Parameter	Condition	Standard			Unit
			Min.	Typ.	Max.	
t <sub>d</sub> (P-R)	Time for internal power supply stabilization during power-on (1)		-	-	2000	μs

Note:

1. Waiting time until the internal power supply generation circuit stabilizes during power-on.

**Table 5.16 LCD Drive Control Circuit Characteristics**  
**(V<sub>CC</sub> = 1.8 to 5.5 V, V<sub>SS</sub> = 0 V, and T<sub>opr</sub> = –20 to 85°C (N version) / –40 to 85°C**  
**(D version), unless otherwise specified.)**

Symbol	Parameter	Condition	Standard			Unit
			Min.	Typ.	Max.	
VLCD	LCD power supply voltage	VLCD = VL4	2.2	–	5.5	V
VL3	VL3 voltage		VL2	–	VL4	V
VL2	VL2 voltage	R8C/L35A, R8C/L35B	VL1	–	VL4	V
		R8C/L36A, R8C/L36B, R8C/L38A, R8C/L38B, R8C/L3AA, R8C/L3AB	VL1	–	VL3	V
VL1	VL1 voltage		1	–	VL2	V
–	VL1 internally-generated voltage accuracy <sup>(1)</sup>		Setting voltage –0.4	Setting voltage	Setting voltage +0.4	V
f(FR)	Frame frequency		50	–	180	Hz
ILCD	LCD drive control circuit current		–	(Note 2)	–	μA

Notes:

1. The voltage is selected with bits LVLS0 to LVLS3 in the LCR1 register.
2. Refer to Table 5.19 DC Characteristics (2), Table 5.21 DC Characteristics (4), and Table 5.23 DC Characteristics (6).

**Table 5.17 Power-Off Mode Characteristics**  
**(V<sub>CC</sub> = 2.2 to 5.5 V, V<sub>SS</sub> = 0 V, and T<sub>opr</sub> = –20 to 85°C (N version) / –40 to 85°C**  
**(D version), unless otherwise specified.)**

Symbol	Parameter	Condition	Standard			Unit
			Min.	Typ.	Max.	
–	Power-off mode operating supply voltage		2.2	–	5.5	V

## 5.4 DC Characteristics

**Table 5.18 DC Characteristics (1) [4.0 V ≤ V<sub>CC</sub> ≤ 5.5 V]  
 (T<sub>opr</sub> = –20 to 85°C (N version) / –40 to 85°C (D version), unless otherwise specified.)**

Symbol	Parameter		Condition			Standard			Unit
						Min.	Typ.	Max.	
V <sub>OH</sub>	Output "H" voltage		Port P10, P11 (1)	V <sub>CC</sub> = 5V	I <sub>OH</sub> = –20 mA	V <sub>CC</sub> – 2.0	–	V <sub>CC</sub>	V
			Other pins	V <sub>CC</sub> = 5V	I <sub>OH</sub> = –5 mA	V <sub>CC</sub> – 2.0	–	V <sub>CC</sub>	V
V <sub>OL</sub>	Output "L" voltage		Port P10, P11 (1)	V <sub>CC</sub> = 5V	I <sub>OL</sub> = 20 mA	–	–	2.0	V
			Other pins	V <sub>CC</sub> = 5V	I <sub>OL</sub> = 5 mA	–	–	2.0	V
V <sub>T+</sub> –V <sub>T-</sub>	Hysteresis	$\overline{\text{INT0}}, \overline{\text{INT1}}, \overline{\text{INT2}},$ $\overline{\text{INT3}}, \overline{\text{INT4}}, \overline{\text{INT5}},$ $\overline{\text{INT6}}, \overline{\text{INT7}},$ $\overline{\text{KI0}}, \overline{\text{KI1}}, \overline{\text{KI2}}, \overline{\text{KI3}}, \overline{\text{KI4}},$ $\overline{\text{KI5}}, \overline{\text{KI6}}, \overline{\text{KI7}},$ TRAI0, TRCIOA, TRCIOB, TRCIOC, TRCIOD, TRDIOA0, TRDIOB0, TRDIOC0, TRDIOD0, TRDIOA1, TRDIOB1, TRDIOC1, TRDIOD1, TRCTRG, TRCCLK, TRGCLKA, TRGCLKB, TRGIOA, TRGIOB, ADTRG, RXD0, RXD1, RXD2, CLK0, CLK1, CLK2, SSI, SCL, SDA, SSO				0.1	0.5	–	V
		$\overline{\text{RESET}},$ $\overline{\text{WKUP0}}, \overline{\text{WKUP1}}$				0.2	1.0	–	V
I <sub>IH</sub>	Input "H" current		V <sub>I</sub> = 5 V			–	–	5.0	μA
I <sub>IL</sub>	Input "L" current		V <sub>I</sub> = 0 V			–	–	–5.0	μA
R <sub>PULLUP</sub>	Pull-up resistance		V <sub>I</sub> = 0 V			25	50	100	kΩ
R <sub>fXIN</sub>	Feedback resistance	XIN				–	0.3	–	MΩ
R <sub>fXCIN</sub>	Feedback resistance	XCIN				–	14	–	MΩ
V <sub>RAM</sub>	RAM hold voltage		During stop mode			1.8	–	–	V

Note:

1. This applies when the drive capacity of the output transistor is set to High by registers P10DRR and P11DRR. When the drive capacity is set to Low, the value of any other pin applies.

**Table 5.19 DC Characteristics (2) [4.0 V ≤ Vcc ≤ 5.5 V]  
 (Topr = −20 to 85°C (N version) / −40 to 85°C (D version), unless otherwise specified.)**

Symbol	Parameter		Condition							Standard			Unit	
			Oscillation Circuit		On-Chip Oscillator		CPU Clock	Low-Power-Consumption Setting	Other	Min.	Typ. (3)	Max.		
			XIN (2)	XCIN	High-Speed	Low-Speed								
Icc	Power supply current (1)	High-speed clock mode	20 MHz	Off	Off	125 kHz	No division	–		–	7.0	15	mA	
			16 MHz	Off	Off	125 kHz	No division	–		–	5.6	12.5	mA	
			10 MHz	Off	Off	125 kHz	No division	–		–	3.6	–	mA	
			20 MHz	Off	Off	125 kHz	Divide-by-8	–		–	3.0	–	mA	
			16 MHz	Off	Off	125 kHz	Divide-by-8	–		–	2.2	–	mA	
			10 MHz	Off	Off	125 kHz	Divide-by-8	–		–	1.5	–	mA	
		High-speed on-chip oscillator mode	Off	Off	20 MHz	125 kHz	No division	–		–	7.0	15	mA	
			Off	Off	20 MHz	125 kHz	Divide-by-8	–		–	3.0	–	mA	
			Off	Off	4 MHz	125 kHz	Divide-by-16	MSTIIC = 1 MSTTRD = 1 MSTTRC = 1 MSTTRG = 1		–	1	–	mA	
		Low-speed on-chip oscillator mode	Off	Off	Off	125 kHz	Divide-by-8	FMR27 = 1 VCA20 = 0		–	90	400	μA	
			Off	32 kHz	Off	Off	No division	FMR27 = 1 VCA20 = 0		–	100	400	μA	
		Low-speed clock mode	Off	32 kHz	Off	Off	No division	FMSTP = 1 VCA20 = 0	Flash memory off Program operation on RAM	–	55	–	μA	
			Off	32 kHz	Off	Off	No division	FMSTP = 1 VCA20 = 0	Flash memory off Program operation on RAM	–	55	–	μA	
		Wait mode	Off	Off	Off	125 kHz	–	VCA27 = 0 VCA26 = 0 VCA25 = 0 VCA20 = 1	While a WAIT instruction is executed Peripheral clock operation	–	15	100	μA	
			Off	Off	Off	125 kHz	–	VCA27 = 0 VCA26 = 0 VCA25 = 0 VCA20 = 1 CM02 = 1 CM01 = 1	While a WAIT instruction is executed Peripheral clock off	–	4	90	μA	
			Off	32 kHz	Off	Off	–	VCA27 = 0 VCA26 = 0 VCA25 = 0 VCA20 = 1 CM02 = 1 CM01 = 0	While a WAIT instruction is executed Peripheral clock off Timer RE operation in real-time clock mode	LCD drive control circuit (4) When external division resistors are used	–	7	–	μA
			Off	32 kHz	Off	Off	–	VCA27 = 0 VCA26 = 0 VCA25 = 0 VCA20 = 1 CM02 = 1 CM01 = 1	While a WAIT instruction is executed Peripheral clock off Timer RE operation in real-time clock mode	LCD drive control circuit (5) When the internal voltage multiplier is used	–	12	–	μA
			Off	32 kHz	Off	Off	–	VCA27 = 0 VCA26 = 0 VCA25 = 0 VCA20 = 1 CM02 = 1 CM01 = 1	While a WAIT instruction is executed Peripheral clock off Timer RE operation in real-time clock mode		–	3.5	–	μA
	Stop mode	Off	Off	Off	Off	–	VCA27 = 0 VCA26 = 0 VCA25 = 0 CM10 = 1	Topr = 25°C Peripheral clock off	–	2.0	5.0	μA		
		Off	Off	Off	Off	–	VCA27 = 0 VCA26 = 0 VCA25 = 0 CM10 = 1	Topr = 85°C Peripheral clock off	–	15	–	μA		
	Power-off mode	Off	Off	Off	Off	–	–	Power-off 0 Topr = 25°C	–	0.02	0.2	μA		
Off		Off	Off	Off	–	–	Power-off 0 Topr = 85°C	–	0.4	–	μA			
Off		32 kHz	Off	Off	–	–	Power-off 1 Topr = 25°C	–	1.3	2.6	μA			
Off		32 kHz	Off	Off	–	–	Power-off 1 Topr = 85°C	–	1.5	–	μA			

Notes:

- Vcc = 4.0 V to 5.5 V, single chip mode, output pins are open, and other pins are Vss.
- XIN is set to square wave input.
- Vcc = 5.0 V
- VLCD = Vcc, external division resistors are used for VL4 to VL1, 1/3 bias, 1/4 duty, f(FR) = 64 Hz, SEG0 to SEG55 are selected, and segment and common output pins are open. The standard value does not include the current that flows through external division resistors.
- The internal voltage multiplier is used, bits LVLS3 to LVLS0 in the LCR1 register = 1011b, 1/3 bias, 1/4 duty, f(FR) = 64 Hz, SEG0 to SEG55 are selected, and segment and common output pins are open.





**Table 5.21 DC Characteristics (4) [2.7 V ≤ Vcc < 4.0 V]**  
**(Topr = −20 to 85°C (N version) / −40 to 85°C (D version), unless otherwise specified.)**

Symbol	Parameter		Condition							Standard			Unit	
			Oscillation Circuit		On-Chip Oscillator		CPU Clock	Low-Power-Consumption Setting	Other	Min.	Typ. (3)	Max.		
			XIN (2)	XCIN	High-Speed	Low-Speed								
Icc	Power supply current (1)	High-speed clock mode	20 MHz	Off	Off	125 kHz	No division	–		–	7.0	14.5	mA	
			10 MHz	Off	Off	125 kHz	No division	–		–	3.6	10	mA	
			20 MHz	Off	Off	125 kHz	Divide-by-8	–		–	3.0	–	mA	
			10 MHz	Off	Off	125 kHz	Divide-by-8	–		–	1.5	–	mA	
		High-speed on-chip oscillator mode	Off	Off	20 MHz	125 kHz	No division	–		–	7.0	14.5	mA	
			Off	Off	20 MHz	125 kHz	Divide-by-8	–		–	3.0	–	mA	
			Off	Off	10 MHz	125 kHz	No division	–		–	4.0	–	mA	
			Off	Off	10 MHz	125 kHz	Divide-by-8	–		–	1.7	–	mA	
		Low-speed on-chip oscillator mode	Off	Off	Off	125 kHz	Divide-by-8	FMR27 = 1 VCA20 = 0		–	85	390	μA	
			Off	32 kHz	Off	Off	No division	FMR27 = 1 VCA20 = 0		–	90	400	μA	
		Low-speed clock mode	Off	32 kHz	Off	Off	No division	FMSTP = 1 VCA20 = 0	Flash memory off Program operation on RAM	–	50	–	μA	
			Off	Off	Off	125 kHz	–	VCA27 = 0 VCA26 = 0 VCA25 = 0 VCA20 = 1	While a WAIT instruction is executed Peripheral clock operation	–	15	90	μA	
		Wait mode	Off	Off	Off	125 kHz	–	VCA27 = 0 VCA26 = 0 VCA25 = 0 VCA20 = 1 CM02 = 1 CM01 = 1	While a WAIT instruction is executed Peripheral clock off	–	5	80	μA	
			Off	32 kHz	Off	Off	–	VCA27 = 0 VCA26 = 0 VCA25 = 0 VCA20 = 1 CM02 = 1 CM01 = 0	While a WAIT instruction is executed Peripheral clock off Timer RE operation in real-time clock mode	LCD drive control circuit (4) When external division resistors are used	–	5	–	μA
			Off	32 kHz	Off	Off	–	VCA27 = 0 VCA26 = 0 VCA25 = 0 VCA20 = 1 CM02 = 1 CM01 = 1	While a WAIT instruction is executed Peripheral clock off Timer RE operation in real-time clock mode	LCD drive control circuit (5) When the internal voltage multiplier is used	–	11	–	μA
			Off	32 kHz	Off	Off	–	VCA27 = 0 VCA26 = 0 VCA25 = 0 VCA20 = 1 CM02 = 1 CM01 = 1	While a WAIT instruction is executed Peripheral clock off Timer RE operation in real-time clock mode	–	3.5	–	μA	
		Stop mode	Off	Off	Off	Off	–	VCA27 = 0 VCA26 = 0 VCA25 = 0 CM10 = 1	Topr = 25°C Peripheral clock off	–	2	5.0	μA	
			Off	Off	Off	Off	–	VCA27 = 0 VCA26 = 0 VCA25 = 0 CM10 = 1	Topr = 85°C Peripheral clock off	–	13.0	–	μA	
		Power-off mode	Off	Off	Off	Off	–	–	Power-off 0 Topr = 25°C	–	0.02	0.2	μA	
			Off	Off	Off	Off	–	–	Power-off 0 Topr = 85°C	–	0.3	–	μA	
Off	32 kHz		Off	Off	–	–	Power-off 1 Topr = 25°C	–	1.0	2.0	μA			
Off	32 kHz		Off	Off	–	–	Power-off 1 Topr = 85°C	–	1.2	–	μA			

Notes:

- Vcc = 2.7 V to 4.0 V, single chip mode, output pins are open, and other pins are Vss.
- XIN is set to square wave input.
- Vcc = 3.0 V.
- VLCD = Vcc, external division resistors are used for VL4 to VL1, 1/3 bias, 1/4 duty, f(FR) = 64 Hz, SEG0 to SEG55 are selected, and segment and common output pins are open. The standard value does not include the current that flows through external division resistors.
- The internal voltage multiplier is used, bits LVLS3 to LVLS0 in the LCR1 register = 1011b, 1/3 bias, 1/4 duty, f(FR) = 64 Hz, SEG0 to SEG55 are selected, and segment and common output pins are open.



**Table 5.23 DC Characteristics (6) [1.8 V ≤ Vcc < 2.7 V]  
 (Topr = −20 to 85°C (N version) / −40 to 85°C (D version), unless otherwise specified.)**

Symbol	Parameter		Condition							Standard			Unit	
			Oscillation Circuit		On-Chip Oscillator		CPU Clock	Low-Power-Consumption Setting	Other	Min.	Typ. (3)	Max.		
			XIN (2)	XCIN	High-Speed	Low-Speed								
Icc	Power supply current (1)	High-speed clock mode	5 MHz	Off	Off	125 kHz	No division	–	–	2.2	–	mA		
			5 MHz	Off	Off	125 kHz	Divide-by-8	–	–	0.8	–	mA		
		High-speed on-chip oscillator mode	Off	Off	5 MHz	125 kHz	No division	–	–	2.5	10	mA		
			Off	Off	5 MHz	125 kHz	Divide-by-8	–	–	1.7	–	mA		
			Off	Off	4 MHz	125 kHz	Divide-by-16	MSTIIC = 1 MSTTRD = 1 MSTTRC = 1 MSTTRG = 1	–	1	–	mA		
		Low-speed on-chip oscillator mode	Off	Off	Off	125 kHz	Divide-by-8	FMR27 = 1 VCA20 = 0	–	90	300	μA		
		Low-speed clock mode	Off	32 kHz	Off	Off	No division	FMR27 = 1 VCA20 = 0	–	90	400	μA		
			Off	32 kHz	Off	Off	No division	FMSTP = 1 VCA20 = 0	Flash memory off Program operation on RAM	–	45	–	μA	
		Wait mode	Off	Off	Off	125 kHz	–	VCA27 = 0 VCA26 = 0 VCA25 = 0 VCA20 = 1	While a WAIT instruction is executed Peripheral clock operation	–	15	90	μA	
									While a WAIT instruction is executed Peripheral clock off	–	4	80	μA	
			Off	32 kHz	Off	Off	–	VCA27 = 0 VCA26 = 0 VCA25 = 0 VCA20 = 1 CM02 = 1 CM01 = 1	While a WAIT instruction is executed Peripheral clock off Timer RE operation in real-time clock mode	LCD drive control circuit (4) When external division resistors are used	–	4	–	μA
									LCD drive control circuit (5) When the internal voltage multiplier is used	–	11	–	μA	
		Stop mode	Off	Off	Off	Off	–	VCA27 = 0 VCA26 = 0 VCA25 = 0 CM10 = 1	Topr = 25°C Peripheral clock off	–	2.0	5.0	μA	
									Topr = 85°C Peripheral clock off	–	13	–	μA	
		Power-off mode	Off	Off	Off	Off	–	–	Power-off 0 Topr = 25°C	–	0.02	0.2	μA	
									Power-off 0 Topr = 85°C	–	0.3	–	μA	
Power-off 1 Topr = 25°C	–								0.8	1.6	μA			
Power-off 1 Topr = 85°C	–								1.1	–	μA			

Notes:

- Vcc = 1.8 V to 2.7 V, single chip mode, output pins are open, and other pins are Vss.
- XIN is set to square wave input.
- Vcc = 2.2 V
- VLCD = Vcc, external division resistors are used for VL4 to VL1, 1/3 bias, 1/4 duty, f(FR) = 64 Hz, SEG0 to SEG55 are selected, and segment and common output pins are open. The standard value does not include the current that flows through external division resistors.
- The internal voltage multiplier is used, bits LVLS3 to LVLS0 in the LCR1 register = 1011b, 1/3 bias, 1/4 duty, f(FR) = 64 Hz, SEG0 to SEG55 are selected, and segment and common output pins are open.

## 5.5 AC Characteristics

**Table 5.24 Timing Requirements of Clock Synchronous Serial I/O with Chip Select  
 (V<sub>CC</sub> = 1.8 to 5.5 V, V<sub>SS</sub> = 0 V, and T<sub>opr</sub> = –20 to 85°C (N version) / –40 to 85°C  
 (D version), unless otherwise specified.)**

Symbol	Parameter		Conditions	Standard			Unit
				Min.	Typ.	Max.	
tsucyc	SSCK clock cycle time			4	–	–	tcyc (1)
tHI	SSCK clock "H" width			0.4	–	0.6	tsucyc
tLO	SSCK clock "L" width			0.4	–	0.6	tsucyc
tRISE	SSCK clock rising time	Master		–	–	1	tcyc (1)
		Slave		–	–	1	μs
tFALL	SSCK clock falling time	Master		–	–	1	tcyc (1)
		Slave		–	–	1	μs
tsu	SSO, SSI data input setup time			100	–	–	ns
tH	SSO, SSI data input hold time			1	–	–	tcyc (1)
tLEAD	$\overline{\text{SCS}}$ setup time	Slave		1tcyc + 50	–	–	ns
tLAG	$\overline{\text{SCS}}$ hold time	Slave		1tcyc + 50	–	–	ns
tOD	SSO, SSI data output delay time			–	–	1	tcyc (1)
tSA	SSI slave access time		2.7 V ≤ V <sub>CC</sub> ≤ 5.5 V	–	–	1.5tcyc + 100	ns
			1.8 V ≤ V <sub>CC</sub> < 2.7 V	–	–	1.5tcyc + 200	ns
tOR	SSI slave out open time		2.7 V ≤ V <sub>CC</sub> ≤ 5.5 V	–	–	1.5tcyc + 100	ns
			1.8 V ≤ V <sub>CC</sub> < 2.7 V	–	–	1.5tcyc + 200	ns

Note:

- 1tcyc = 1/f1(s)

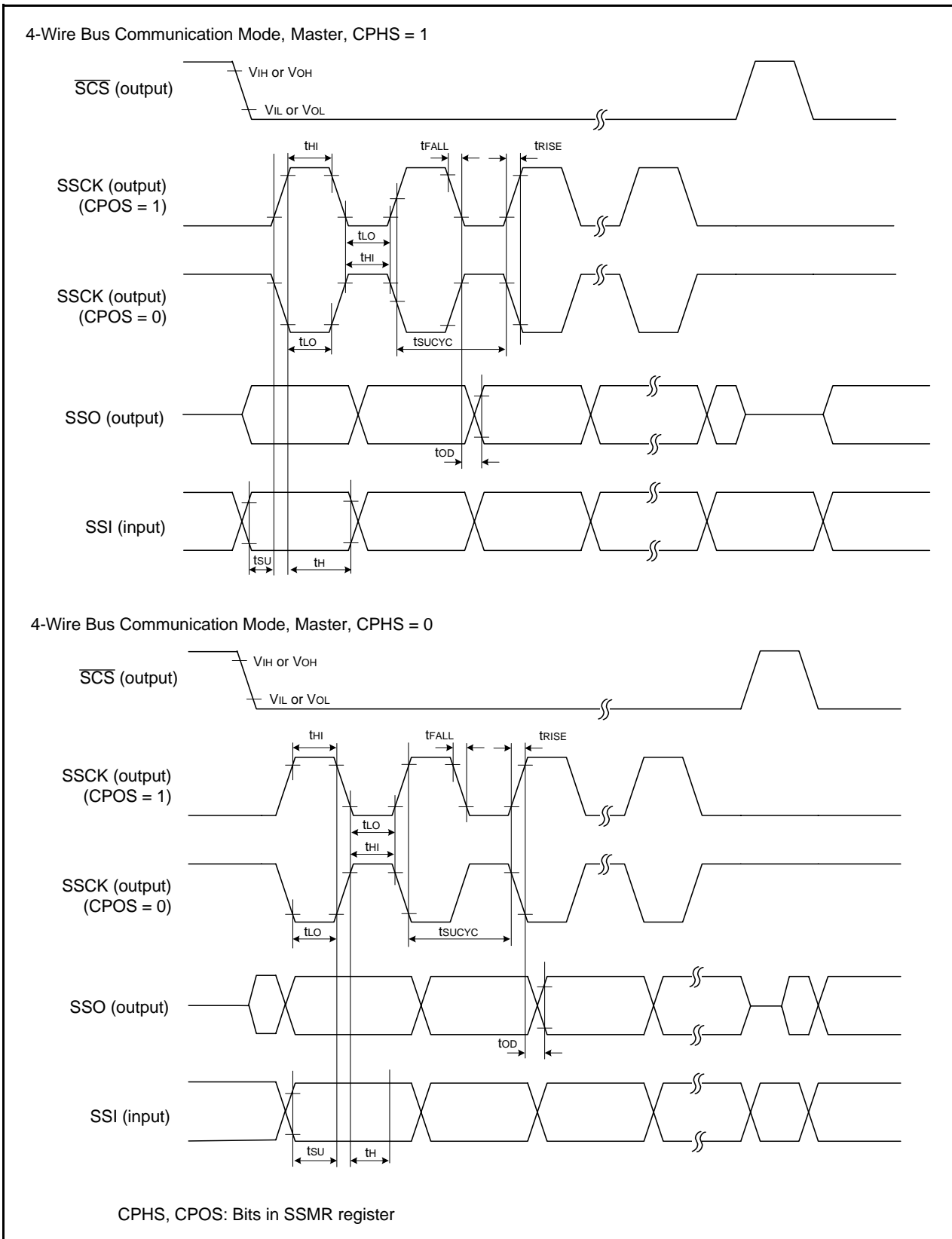


Figure 5.4 I/O Timing of Clock Synchronous Serial I/O with Chip Select (Master)

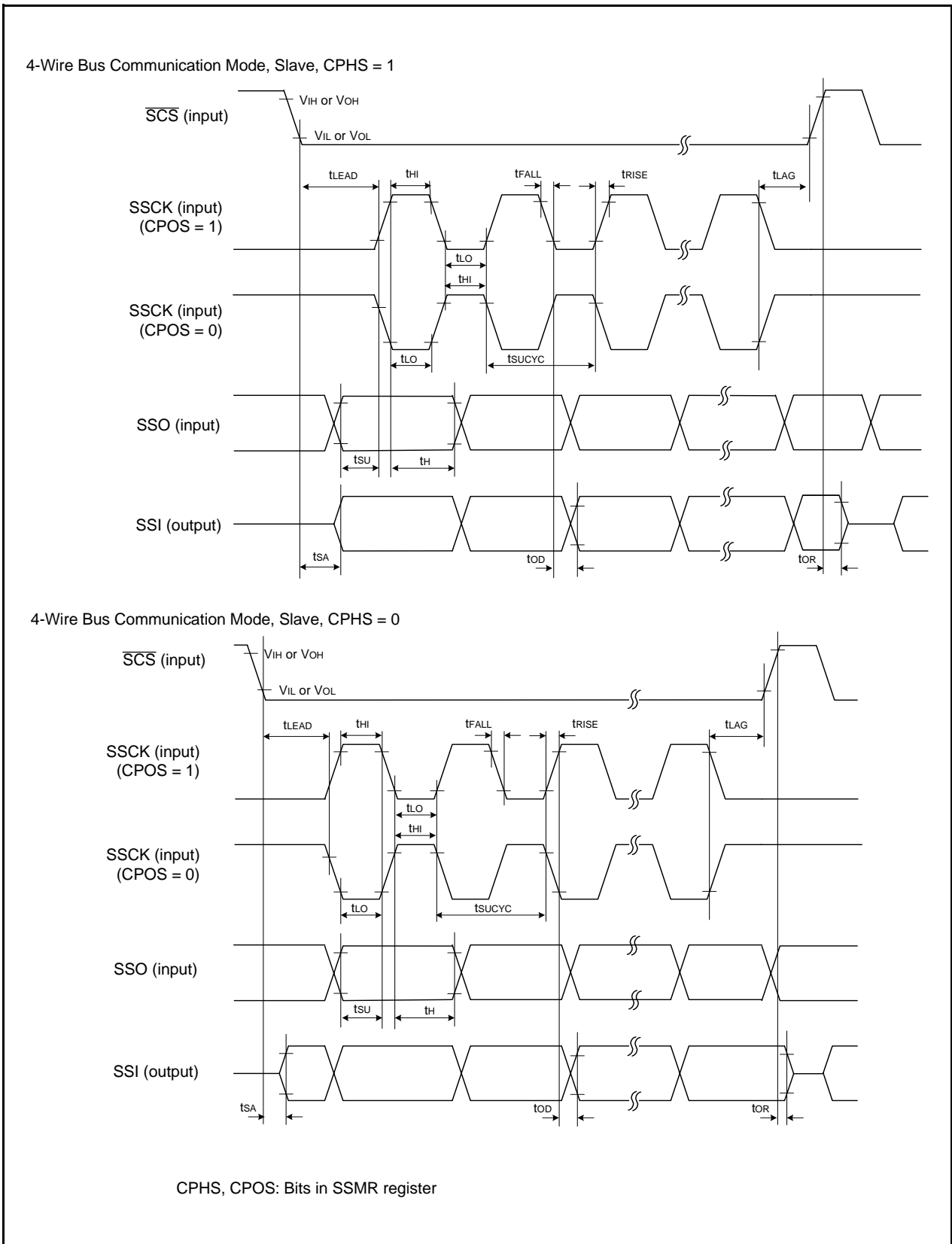
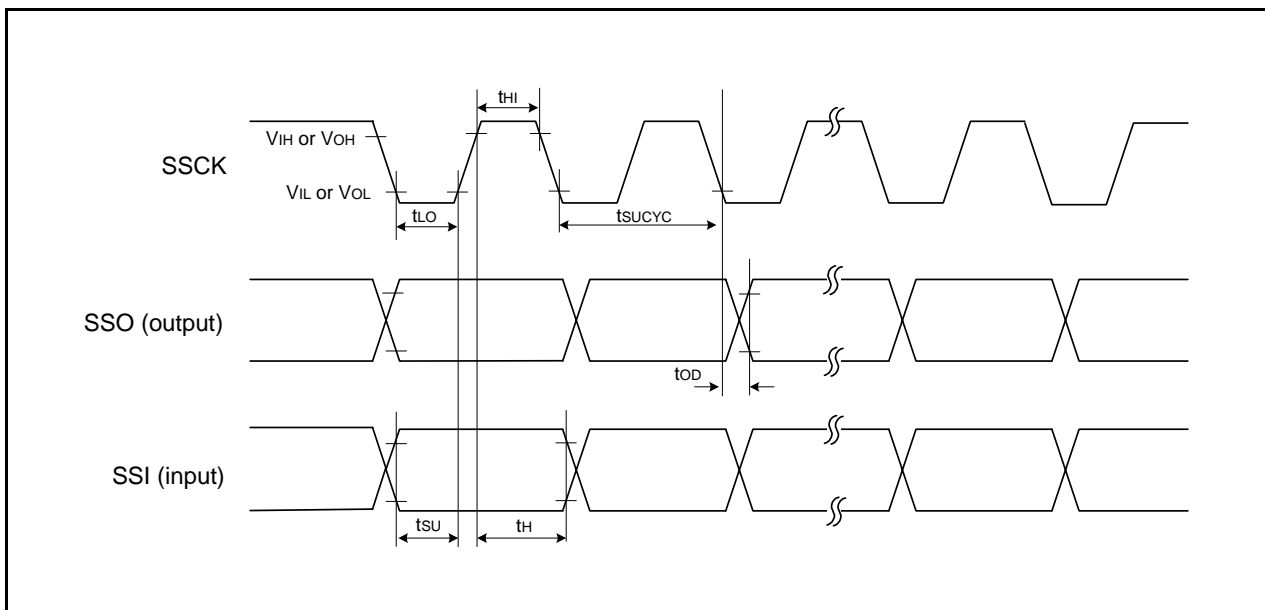


Figure 5.5 I/O Timing of Clock Synchronous Serial I/O with Chip Select (Slave)



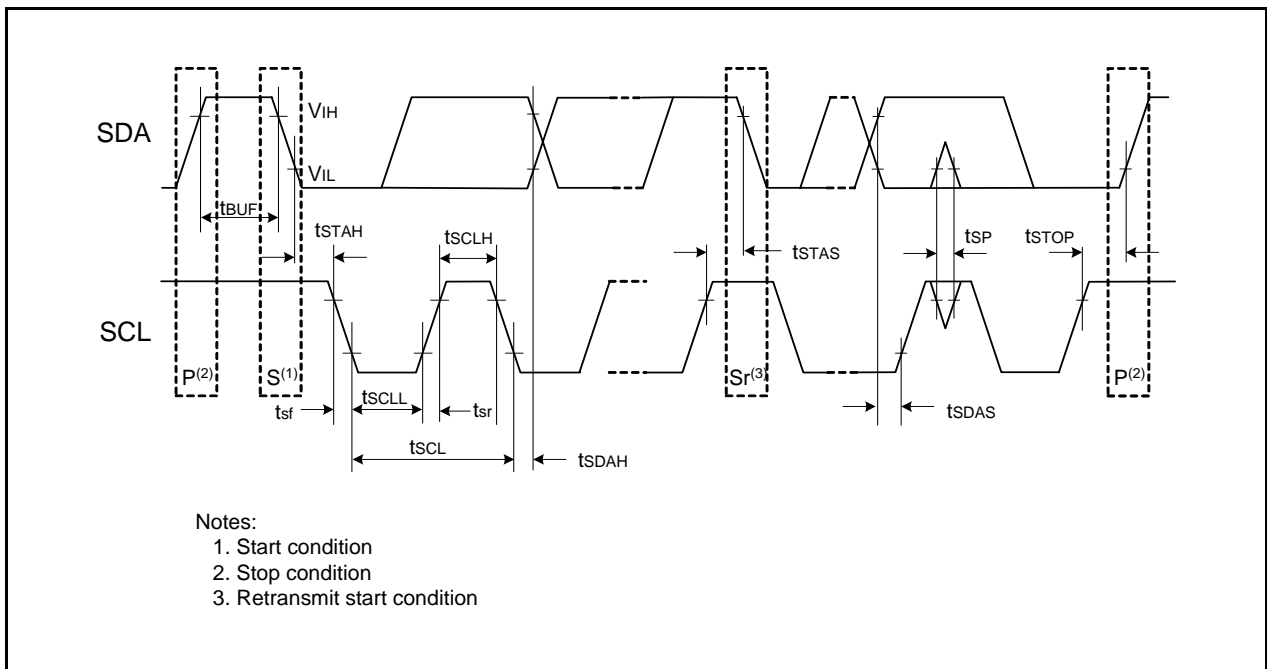
**Figure 5.6 I/O Timing of Clock Synchronous Serial I/O with Chip Select (Clock Synchronous Communication Mode)**

**Table 5.25 Timing Requirements of I<sup>2</sup>C bus Interface (1)**  
**(V<sub>CC</sub> = 1.8 to 5.5 V, V<sub>SS</sub> = 0 V, and T<sub>opr</sub> = -20 to 85°C (N version) / -40 to 85°C (D version),  
 unless otherwise specified.)**

Symbol	Parameter	Condition	Standard			Unit
			Min.	Typ.	Max.	
t <sub>SCL</sub>	SCL input cycle time		12t <sub>CYC</sub> + 600 (1)	–	–	ns
t <sub>SCLH</sub>	SCL input “H” width		3t <sub>CYC</sub> + 300 (1)	–	–	ns
t <sub>SCLL</sub>	SCL input “L” width		5t <sub>CYC</sub> + 500 (1)	–	–	ns
t <sub>sf</sub>	SCL, SDA input fall time		–	–	300	ns
t <sub>SP</sub>	SCL, SDA input spike pulse rejection time		–	–	1t <sub>CYC</sub> (1)	ns
t <sub>BUF</sub>	SDA input bus-free time		5t <sub>CYC</sub> (1)	–	–	ns
t <sub>STAH</sub>	Start condition input hold time		3t <sub>CYC</sub> (1)	–	–	ns
t <sub>STAS</sub>	Retransmit start condition input setup time		3t <sub>CYC</sub> (1)	–	–	ns
t <sub>STOP</sub>	Stop condition input setup time		3t <sub>CYC</sub> (1)	–	–	ns
t <sub>SDAS</sub>	Data input setup time		1t <sub>CYC</sub> + 40 (1)	–	–	ns
t <sub>SDAH</sub>	Data input hold time		10	–	–	ns

Note:

- 1t<sub>CYC</sub> = 1/f<sub>1</sub>(s)

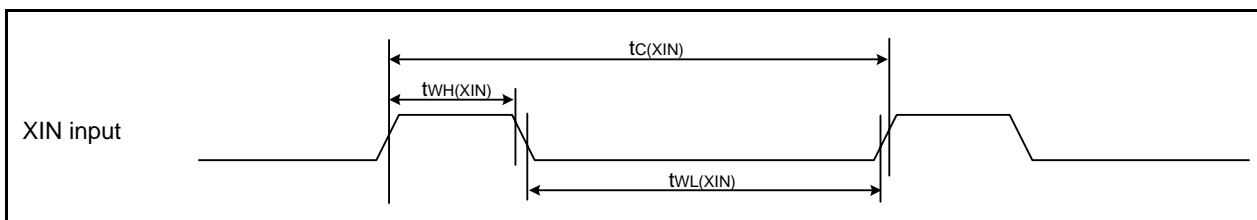


**Figure 5.7 I/O Timing of I<sup>2</sup>C bus Interface**



**Table 5.26 Timing Requirements of XIN and XCIN**  
 (V<sub>CC</sub> = 1.8 to 5.5 V, V<sub>SS</sub> = 0 V, and T<sub>opr</sub> = -20 to 85°C (N version) / -40 to 85°C (D version),  
 unless otherwise specified.)

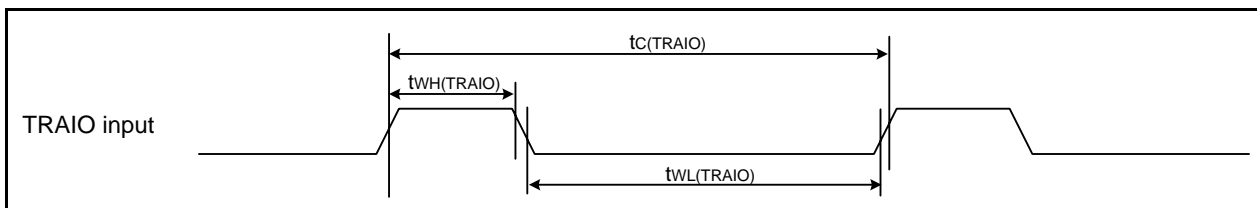
Symbol	Parameter	Standard						Unit
		V <sub>CC</sub> = 2.2V, T <sub>opr</sub> = 25°C		V <sub>CC</sub> = 3V, T <sub>opr</sub> = 25°C		V <sub>CC</sub> = 5V, T <sub>opr</sub> = 25°C		
		Min.	Max.	Min.	Max.	Min.	Max.	
t <sub>c</sub> (XIN)	XIN input cycle time	200	-	50	-	50	-	ns
t <sub>WH</sub> (XIN)	XIN input "H" width	90	-	24	-	24	-	ns
t <sub>WL</sub> (XIN)	XIN input "L" width	90	-	24	-	24	-	ns
t <sub>c</sub> (XCIN)	XCIN input cycle time	14	-	14	-	14	-	μs
t <sub>WH</sub> (XCIN)	XCIN input "H" width	7	-	7	-	7	-	μs
t <sub>WL</sub> (XCIN)	XCIN input "L" width	7	-	7	-	7	-	μs



**Figure 5.8 Input Timing of XIN and XCIN**

**Table 5.27 Timing Requirements of TRAIO**  
 (V<sub>CC</sub> = 1.8 to 5.5 V, V<sub>SS</sub> = 0 V and T<sub>opr</sub> = -20 to 85°C (N version) / -40 to 85°C (D version),  
 unless otherwise specified.)

Symbol	Parameter	Standard						Unit
		V <sub>CC</sub> = 2.2V, T <sub>opr</sub> = 25°C		V <sub>CC</sub> = 3V, T <sub>opr</sub> = 25°C		V <sub>CC</sub> = 5V, T <sub>opr</sub> = 25°C		
		Min.	Max.	Min.	Max.	Min.	Max.	
t <sub>c</sub> (TRAIO)	TRAIO input cycle time	500	-	300	-	100	-	ns
t <sub>WH</sub> (TRAIO)	TRAIO input "H" width	200	-	120	-	40	-	ns
t <sub>WL</sub> (TRAIO)	TRAIO input "L" width	200	-	120	-	40	-	ns

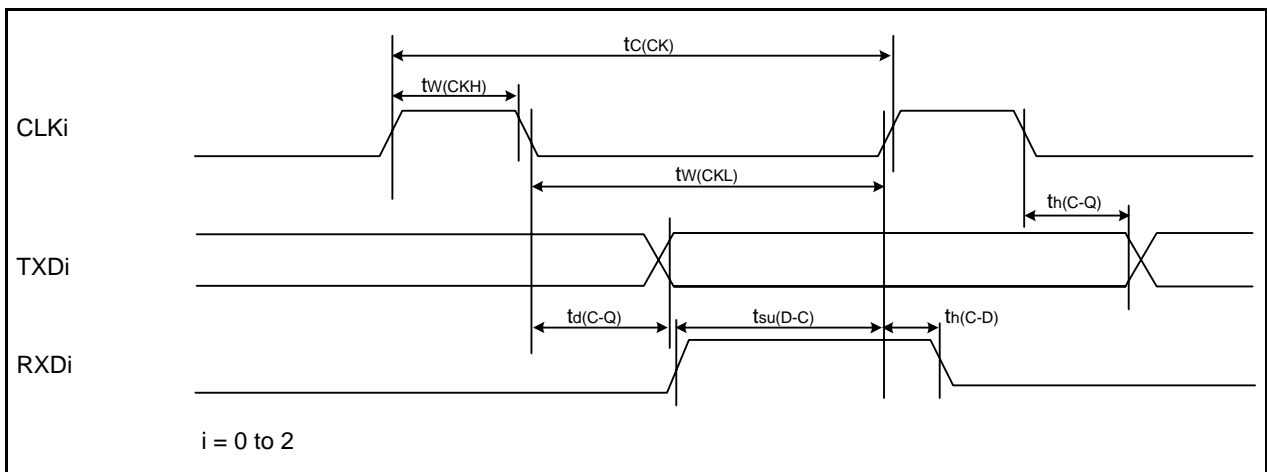


**Figure 5.9 Input Timing of TRAIO**

**Table 5.28 Timing Requirements of Serial Interface**  
 ( $V_{CC} = 1.8$  to  $5.5$  V,  $V_{SS} = 0$  V, and  $T_{opr} = -20$  to  $85^{\circ}\text{C}$  (N version) /  $-40$  to  $85^{\circ}\text{C}$  (D version), unless otherwise specified.)

Symbol	Parameter	Standard						Unit
		$V_{CC} = 2.2\text{V}, T_{opr} = 25^{\circ}\text{C}$		$V_{CC} = 3\text{V}, T_{opr} = 25^{\circ}\text{C}$		$V_{CC} = 5\text{V}, T_{opr} = 25^{\circ}\text{C}$		
		Min.	Max.	Min.	Max.	Min.	Max.	
$t_{c(CK)}$	CLKi input cycle time	800	–	300	–	200	–	ns
$t_{w(CKH)}$	CLKi input “H” width	400	–	150	–	100	–	ns
$t_{w(CKL)}$	CLKi input “L” width	400	–	150	–	100	–	ns
$t_{d(C-Q)}$	TXDi output delay time	–	200	–	80	–	50	ns
$t_{h(C-Q)}$	TXDi hold time	0	–	0	–	0	–	ns
$t_{su(D-C)}$	RXDi input setup time	150	–	70	–	50	–	ns
$t_{h(C-D)}$	RXDi input hold time	90	–	90	–	90	–	ns

$i = 0$  to  $2$



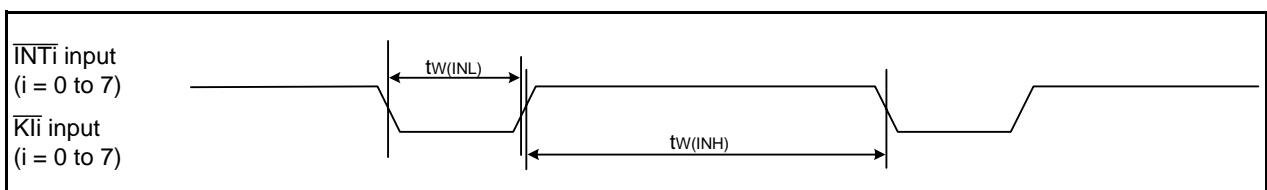
**Figure 5.10 Input and Output Timing of Serial Interface**

**Table 5.29 Timing Requirements of External Interrupt  $\overline{\text{INT}}_i$  ( $i = 0$  to  $7$ ) and Key Input Interrupt  $\overline{\text{K}}_i$  ( $i = 0$  to  $7$ )**  
 ( $V_{CC} = 1.8$  to  $5.5$  V,  $V_{SS} = 0$  V, and  $T_{opr} = -20$  to  $85^{\circ}\text{C}$  (N version) /  $-40$  to  $85^{\circ}\text{C}$  (D version), unless otherwise specified.)

Symbol	Parameter	Standard						Unit
		$V_{CC} = 2.2\text{V}, T_{opr} = 25^{\circ}\text{C}$		$V_{CC} = 3\text{V}, T_{opr} = 25^{\circ}\text{C}$		$V_{CC} = 5\text{V}, T_{opr} = 25^{\circ}\text{C}$		
		Min.	Max.	Min.	Max.	Min.	Max.	
$t_{w(INH)}$	$\overline{\text{INT}}_i$ input “H” width, $\overline{\text{K}}_i$ input “H” width	1000 (1)	–	380 (1)	–	250 (1)	–	ns
$t_{w(INL)}$	$\overline{\text{INT}}_i$ input “L” width, $\overline{\text{K}}_i$ input “L” width	1000 (2)	–	380 (2)	–	250 (2)	–	ns

Notes:

- When selecting the digital filter by the  $\overline{\text{INT}}_i$  input filter select bit, use an  $\overline{\text{INT}}_i$  input HIGH width of either (1/digital filter clock frequency  $\times$  3) or the minimum value of standard, whichever is greater.
- When selecting the digital filter by the  $\overline{\text{INT}}_i$  input filter select bit, use an  $\overline{\text{INT}}_i$  input LOW width of either (1/digital filter clock frequency  $\times$  3) or the minimum value of standard, whichever is greater.

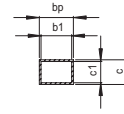
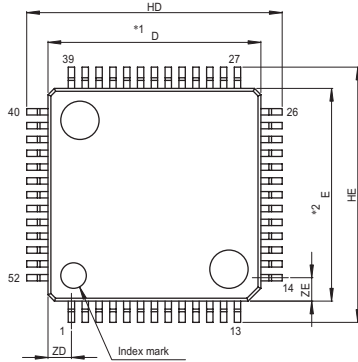


**Figure 5.11 Input Timing of External Interrupt  $\overline{\text{INT}}_i$  and Key Input Interrupt  $\overline{\text{K}}_i$**

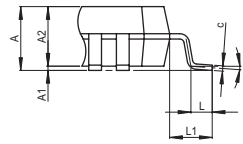
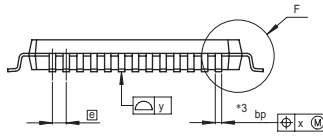
## Package Dimensions

Diagrams showing the latest package dimensions and mounting information are available in the “Packages” section of the Renesas Technology web site.

JEITA Package Code	RENESAS Code	Previous Code	MASS[Typ.]
P-LQFP52-10x10-0.65	PLQP0052JA-A	52P6A-A	0.3g



Terminal cross section

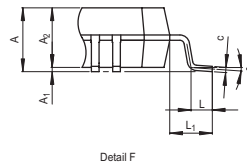
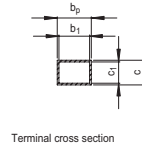
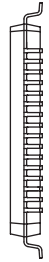
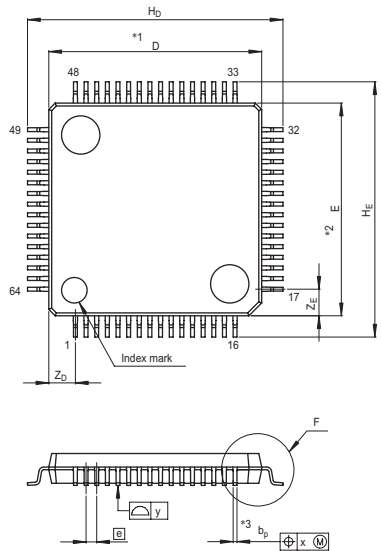


Detail F

NOTE)  
 1. DIMENSIONS \*\*1\*\* AND \*\*2\*\* DO NOT INCLUDE MOLD FLASH.  
 2. DIMENSION \*\*3\*\* DOES NOT INCLUDE TRIM OFFSET.

Reference Symbol	Dimension in Millimeters		
	Min	Nom	Max
D	9.9	10.0	10.1
E	9.9	10.0	10.1
A <sub>2</sub>	—	1.4	—
H <sub>D</sub>	11.8	12.0	12.2
H <sub>E</sub>	11.8	12.0	12.2
A	—	—	1.7
A <sub>1</sub>	0.05	0.1	0.15
b <sub>p</sub>	0.27	0.32	0.37
b <sub>1</sub>	—	0.30	—
c	0.09	0.145	0.20
c <sub>1</sub>	—	0.125	—
θ	0°	—	8°
ⓐ	—	0.65	—
x	—	—	0.13
y	—	—	0.10
Z <sub>D</sub>	—	1.1	—
Z <sub>E</sub>	—	1.1	—
L	0.35	0.5	0.65
L <sub>1</sub>	—	1.0	—

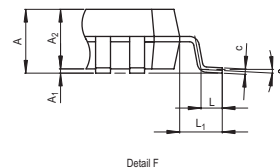
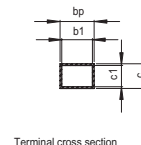
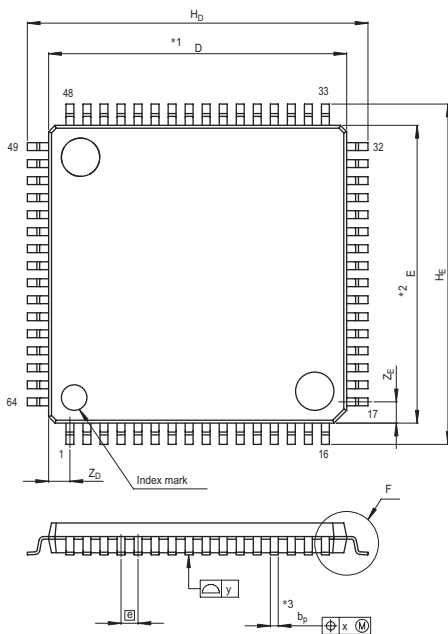
JEITA Package Code	RENESAS Code	Previous Code	MASS[Typ.]
P-LQFP64-10x10-0.50	PLQP0064KB-A	64P6Q-A / FP-64K / FP-64KV	0.3g



NOTE)  
 1. DIMENSIONS \*\*1\* AND \*\*2\*  
 DO NOT INCLUDE MOLD FLASH.  
 2. DIMENSION \*\*3\* DOES NOT  
 INCLUDE TRIM OFFSET.

Reference Symbol	Dimension in Millimeters		
	Min	Nom	Max
D	9.9	10.0	10.1
E	9.9	10.0	10.1
A <sub>2</sub>	—	1.4	—
H <sub>D</sub>	11.8	12.0	12.2
H <sub>E</sub>	11.8	12.0	12.2
A	—	—	1.7
A <sub>1</sub>	0.05	0.1	0.15
b <sub>p</sub>	0.15	0.20	0.25
b <sub>1</sub>	—	0.18	—
c	0.09	0.145	0.20
c <sub>1</sub>	—	0.125	—
θ	0°	—	8°
Ⓜ	—	0.5	—
x	—	—	0.08
y	—	—	0.08
Z <sub>D</sub>	—	1.25	—
Z <sub>E</sub>	—	1.25	—
L	0.35	0.5	0.65
L <sub>1</sub>	—	1.0	—

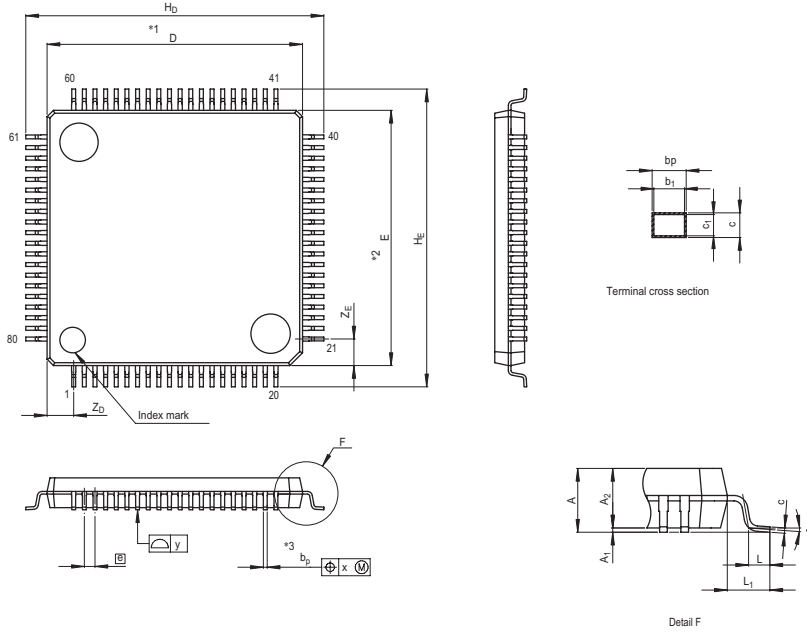
JEITA Package Code	RENESAS Code	Previous Code	MASS[Typ.]
P-LQFP64-14x14-0.80	PLQP0064GA-A	64P6U-A	0.7g



NOTE)  
 1. DIMENSIONS \*\*1\* AND \*\*2\*  
 DO NOT INCLUDE MOLD FLASH.  
 2. DIMENSION \*\*3\* DOES NOT  
 INCLUDE TRIM OFFSET.

Reference Symbol	Dimension in Millimeters		
	Min	Nom	Max
D	13.9	14.0	14.1
E	13.9	14.0	14.1
A <sub>2</sub>	—	1.4	—
H <sub>D</sub>	15.8	16.0	16.2
H <sub>E</sub>	15.8	16.0	16.2
A	—	—	1.7
A <sub>1</sub>	0	0.1	0.2
b <sub>p</sub>	0.32	0.37	0.42
b <sub>1</sub>	—	0.35	—
c	0.09	0.145	0.20
c <sub>1</sub>	—	0.125	—
θ	0°	—	8°
Ⓜ	—	0.8	—
x	—	—	0.20
y	—	—	0.10
Z <sub>D</sub>	—	1.0	—
Z <sub>E</sub>	—	1.0	—
L	0.3	0.5	0.7
L <sub>1</sub>	—	1.0	—

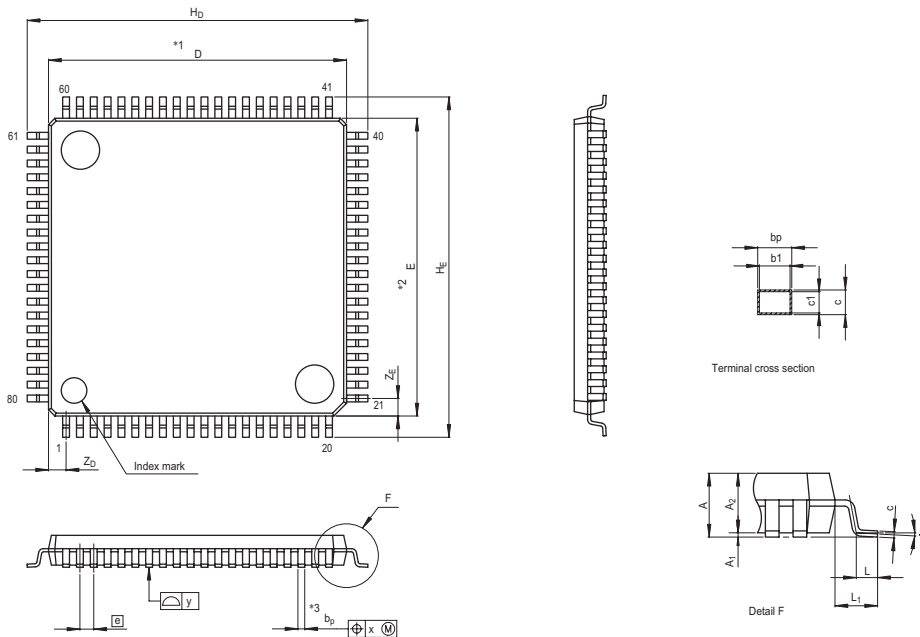
JEITA Package Code	RENESAS Code	Previous Code	MASS[Typ.]
P-LQFP80-12x12-0.50	PLQP0080KB-A	80P6Q-A	0.5g



NOTE)  
 1. DIMENSIONS \*\*1\* AND \*\*2\*  
 DO NOT INCLUDE MOLD FLASH.  
 2. DIMENSION \*\*3\* DOES NOT  
 INCLUDE TRIM OFFSET.

Reference Symbol	Dimension in Millimeters		
	Min	Nom	Max
D	11.9	12.0	12.1
E	11.9	12.0	12.1
A <sub>2</sub>	—	1.4	—
H <sub>D</sub>	13.8	14.0	14.2
H <sub>E</sub>	13.8	14.0	14.2
A	—	—	1.7
A <sub>1</sub>	0	0.1	0.2
b <sub>p</sub>	0.15	0.20	0.25
b <sub>1</sub>	—	0.18	—
c	0.09	0.145	0.20
c <sub>1</sub>	—	0.125	—
θ	0°	—	10°
φ	—	0.5	—
x	—	—	0.08
y	—	—	0.08
Z <sub>D</sub>	—	1.25	—
Z <sub>E</sub>	—	1.25	—
L	0.3	0.5	0.7
L <sub>1</sub>	—	1.0	—

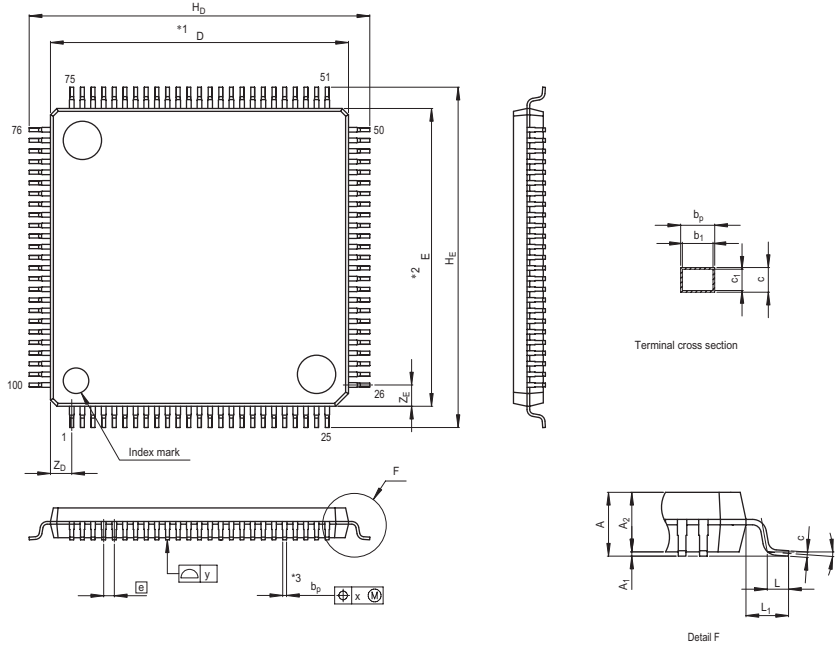
JEITA Package Code	RENESAS Code	Previous Code	MASS[Typ.]
P-LQFP80-14x14-0.65	PLQP0080JA-A	FP-80W / FP-80WV	0.6g



NOTE)  
 1. DIMENSIONS \*\*1\* AND \*\*2\*  
 DO NOT INCLUDE MOLD FLASH.  
 2. DIMENSION \*\*3\* DOES NOT  
 INCLUDE TRIM OFFSET.

Reference Symbol	Dimension in Millimeters		
	Min	Nom	Max
D	13.9	14.0	14.1
E	13.9	14.0	14.1
A <sub>2</sub>	—	1.4	—
H <sub>D</sub>	15.8	16.0	16.2
H <sub>E</sub>	15.8	16.0	16.2
A	—	—	1.7
A <sub>1</sub>	0.05	0.1	0.15
b <sub>p</sub>	0.27	0.32	0.37
b <sub>1</sub>	—	0.30	—
c	0.09	0.145	0.20
c <sub>1</sub>	—	0.125	—
θ	0°	—	8°
φ	—	0.65	—
x	—	—	0.13
y	—	—	0.10
Z <sub>D</sub>	—	0.825	—
Z <sub>E</sub>	—	0.825	—
L	0.35	0.5	0.65
L <sub>1</sub>	—	1.0	—

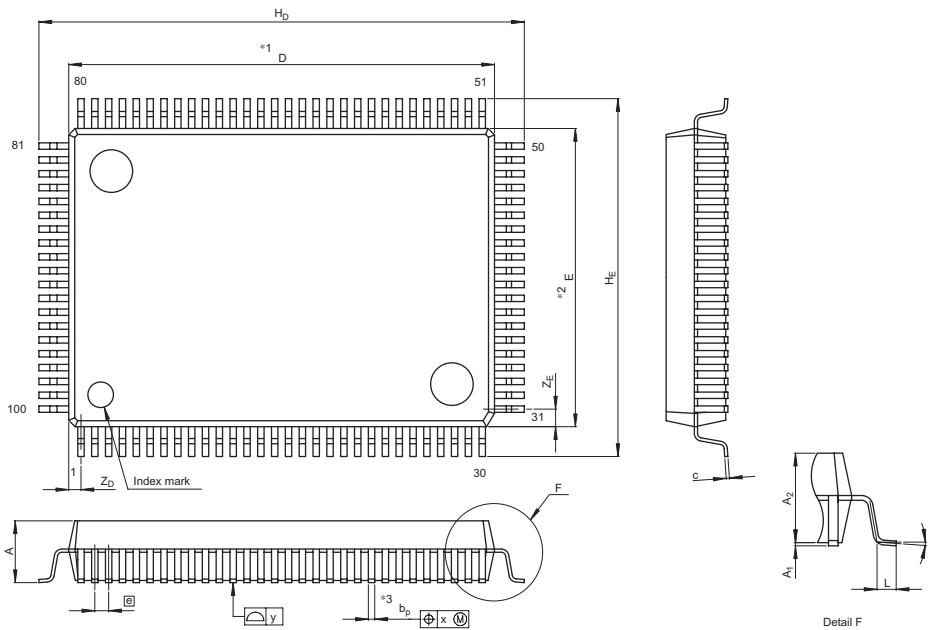
JEITA Package Code	RENESAS Code	Previous Code	MASS[Typ.]
P-LQFP100-14x14-0.50	PLQP0100KB-A	100P6Q-A / FP-100U / FP-100UV	0.6g



NOTE)  
 1. DIMENSIONS  $*1$  AND  $*2$   
 DO NOT INCLUDE MOLD FLASH.  
 2. DIMENSION  $*3$  DOES NOT  
 INCLUDE TRIM OFFSET.

Reference Symbol	Dimension in Millimeters		
	Min	Nom	Max
D	13.9	14.0	14.1
E	13.9	14.0	14.1
$A_2$	—	1.4	—
$H_D$	15.8	16.0	16.2
$H_E$	15.8	16.0	16.2
A	—	—	1.7
$A_1$	0.05	0.1	0.15
$b_p$	0.15	0.20	0.25
$b_1$	—	0.18	—
c	0.09	0.145	0.20
$c_1$	—	0.125	—
$\theta$	0°	—	8°
$\text{Ⓜ}$	—	0.5	—
x	—	—	0.08
y	—	—	0.08
$Z_D$	—	1.0	—
$Z_E$	—	1.0	—
L	0.35	0.5	0.65
$L_1$	—	1.0	—

JEITA Package Code	RENESAS Code	Previous Code	MASS[Typ.]
P-QFP100-14x20-0.65	PRQP0100JD-B	100P6F-A	1.8g



Under development

NOTE)  
 1. DIMENSIONS  $*1$  AND  $*2$   
 DO NOT INCLUDE MOLD FLASH.  
 2. DIMENSION  $*3$  DOES NOT  
 INCLUDE TRIM OFFSET.

Reference Symbol	Dimension in Millimeters		
	Min	Nom	Max
D	19.8	20.0	20.2
E	13.8	14.0	14.2
$A_2$	—	2.8	—
$H_D$	22.5	22.8	23.1
$H_E$	16.5	16.8	17.1
A	—	—	3.05
$A_1$	0	0.1	0.2
$b_p$	0.25	0.3	0.4
c	0.13	0.15	0.2
$\theta$	0°	—	10°
$\text{Ⓜ}$	—	0.65	—
x	—	—	0.13
y	—	—	0.10
$Z_D$	—	0.575	—
$Z_E$	—	0.825	—
L	0.4	0.6	0.8

## REVISION HISTORY

R8C/L35A Group, R8C/L36A Group, R8C/L38A Group, R8C/L3AA Group,  
R8C/L35B Group, R8C/L36B Group, R8C/L38B Group, R8C/L3AB Group Datasheet

Rev.	Date	Description	
		Page	Summary
0.01	May 19, 2008	–	First Edition issued
0.02	Jul 10, 2008	3	Table 1.4 CPU Specification: Minimum instruction execution time revised DTC Specification: Activation sources 33→38
		4	Table 1.5 R8C/L35A, R8C/L35B Groups: Specification revised
		5	Table 1.6 Operating Frequency/Supply Voltage: Specification revised
		6 to 13	Table 1.7 to Table 1.14 Current of May 2008→Current of Jul 2008
		10 to 11	Table 1.11 and Table 1.12 (P)→(D)
		23	Table 1.15 $\overline{WKUP1}$ → $\overline{WKUP1(3)}$
		32	Table 4.1 RSTFR: 0XXX00XXb→XXXX00XXb POMCR0: 00h→XX0000XXb
		33	Table 4.2 0072h Voltage monitor 1/Compare A1 interrupt Control Register →Voltage monitor 1/Comparator A1 interrupt Control Register 0073h Voltage monitor 2/Compare A2 interrupt Control Register →Voltage monitor 2/Comparator A2 interrupt Control Register
		36	Table 4.5 TRECRC1: XXX0X0XXb→XXXXX0XXb
		38	Table 4.7 0194h SS Transmit Data Register→SS Transmit Data Register L 0195h SS Transmit Data Register SSTDR →SS Transmit Data Register H SSTDRH 0196h SS Receive Data Register→SS Receive Data Register L IIC bus Shift Register ICDRS deleted 0197h SS Receive Data Register SSRDR →SS Receive Data Register H SSRDRH
39	Table 4.8 01E0h to 01E7h: FFh→00h		
0.10	Jul 30, 2008	3	Table 1.4 Watchdog Timer: Specification 15 bits→14 bits
		5	Table 1.6 Flash Memory: Function R8C/L36B Group→R8C/L36A Group
		14 to 17	Figure 1.9 to Figure 1.12 Watchdog Timer 15 bits→14 bits

## REVISION HISTORY

R8C/L35A Group, R8C/L36A Group, R8C/L38A Group, R8C/L3AA Group,  
R8C/L35B Group, R8C/L36B Group, R8C/L38B Group, R8C/L3AB Group Datasheet

Rev.	Date	Description	
		Page	Summary
0.10	Jul 30, 2008	18 to 22	Figure 1.13 to Figure 1.17 P4_6/SEG38/TRCIOC→P4_6/SEG38/TRCIOC/TRCIOB P4_7/SEG39/TRCIOD→P4_7/SEG39/TRCIOD/TRCIOB
		24	Table 1.16 Timer TRCIOD→TRCIOD/TRCIOB TRCIOC→TRCIOC/TRCIOB
		32	Table 4.1 0020h: After Reset XX0000XXb→X0000000b Note 2 revised
0.30	Jan 21, 2009	1	1.1 revised
		2	1.1.2 revised Table 1.2 revised
		3	Table 1.3 Note 2 added Table 1.4 added
		5	Table 1.6 revised
		6	Table 1.7 revised
		7 to 14	Table 1.8 to Table 1.15 revised
		15	Figure 1.9 revised
		16	Figure 1.10 revised
		19	Figure 1.13 revised
		20	Figure 1.14 revised
		24	Table 1.16 Note 3 revised
		25	Table 1.17 Note 3 added
		33	Table 4.1 000Bh: After Reset XXXX00XXb→XXh Note 2 revised
39	Table 4.7 018Fh added		
41	Table 4.9 0202h: After Reset 00h→X0000000b		

All trademarks and registered trademarks are the property of their respective owners.



Notes:

1. This document is provided for reference purposes only so that Renesas customers may select the appropriate Renesas products for their use. Renesas neither makes warranties or representations with respect to the accuracy or completeness of the information contained in this document nor grants any license to any intellectual property rights or any other rights of Renesas or any third party with respect to the information in this document.
2. Renesas shall have no liability for damages or infringement of any intellectual property or other rights arising out of the use of any information in this document, including, but not limited to, product data, diagrams, charts, programs, algorithms, and application circuit examples.
3. You should not use the products or the technology described in this document for the purpose of military applications such as the development of weapons of mass destruction or for the purpose of any other military use. When exporting the products or technology described herein, you should follow the applicable export control laws and regulations, and procedures required by such laws and regulations.
4. All information included in this document such as product data, diagrams, charts, programs, algorithms, and application circuit examples, is current as of the date this document is issued. Such information, however, is subject to change without any prior notice. Before purchasing or using any Renesas products listed in this document, please confirm the latest product information with a Renesas sales office. Also, please pay regular and careful attention to additional and different information to be disclosed by Renesas such as that disclosed through our website. (<http://www.renesas.com>)
5. Renesas has used reasonable care in compiling the information included in this document, but Renesas assumes no liability whatsoever for any damages incurred as a result of errors or omissions in the information included in this document.
6. When using or otherwise relying on the information in this document, you should evaluate the information in light of the total system before deciding about the applicability of such information to the intended application. Renesas makes no representations, warranties or guarantees regarding the suitability of its products for any particular application and specifically disclaims any liability arising out of the application and use of the information in this document or Renesas products.
7. With the exception of products specified by Renesas as suitable for automobile applications, Renesas products are not designed, manufactured or tested for applications or otherwise in systems the failure or malfunction of which may cause a direct threat to human life or create a risk of human injury or which require especially high quality and reliability such as safety systems, or equipment or systems for transportation and traffic, healthcare, combustion control, aerospace and aeronautics, nuclear power, or undersea communication transmission. If you are considering the use of our products for such purposes, please contact a Renesas sales office beforehand. Renesas shall have no liability for damages arising out of the uses set forth above.
8. Notwithstanding the preceding paragraph, you should not use Renesas products for the purposes listed below:
  - (1) artificial life support devices or systems
  - (2) surgical implantations
  - (3) healthcare intervention (e.g., excision, administration of medication, etc.)
  - (4) any other purposes that pose a direct threat to human lifeRenesas shall have no liability for damages arising out of the uses set forth in the above and purchasers who elect to use Renesas products in any of the foregoing applications shall indemnify and hold harmless Renesas Technology Corp., its affiliated companies and their officers, directors, and employees against any and all damages arising out of such applications.
9. You should use the products described herein within the range specified by Renesas, especially with respect to the maximum rating, operating supply voltage range, movement power voltage range, heat radiation characteristics, installation and other product characteristics. Renesas shall have no liability for malfunctions or damages arising out of the use of Renesas products beyond such specified ranges.
10. Although Renesas endeavors to improve the quality and reliability of its products, IC products have specific characteristics such as the occurrence of failure at a certain rate and malfunctions under certain use conditions. Please be sure to implement safety measures to guard against the possibility of physical injury, and injury or damage caused by fire in the event of the failure of a Renesas product, such as safety design for hardware and software including but not limited to redundancy, fire control and malfunction prevention, appropriate treatment for aging degradation or any other applicable measures. Among others, since the evaluation of microcomputer software alone is very difficult, please evaluate the safety of the final products or system manufactured by you.
11. In case Renesas products listed in this document are detached from the products to which the Renesas products are attached or affixed, the risk of accident such as swallowing by infants and small children is very high. You should implement safety measures so that Renesas products may not be easily detached from your products. Renesas shall have no liability for damages arising out of such detachment.
12. This document may not be reproduced or duplicated, in any form, in whole or in part, without prior written approval from Renesas.
13. Please contact a Renesas sales office if you have any questions regarding the information contained in this document, Renesas semiconductor products, or if you have any other inquiries.



**RENESAS SALES OFFICES**

<http://www.renesas.com>

Refer to "<http://www.renesas.com/en/network>" for the latest and detailed information.

**Renesas Technology America, Inc.**  
450 Holger Way, San Jose, CA 95134-1368, U.S.A  
Tel: <1> (408) 382-7500, Fax: <1> (408) 382-7501

**Renesas Technology Europe Limited**  
Dukes Meadow, Millboard Road, Bourne End, Buckinghamshire, SL8 5FH, U.K.  
Tel: <44> (1628) 585-100, Fax: <44> (1628) 585-900

**Renesas Technology (Shanghai) Co., Ltd.**  
Unit 204, 205, AZIA Center, No.1233 Lujiazui Ring Rd, Pudong District, Shanghai, China 200120  
Tel: <86> (21) 5877-1818, Fax: <86> (21) 6887-7858/7898

**Renesas Technology Hong Kong Ltd.**  
7th Floor, North Tower, World Finance Centre, Harbour City, Canton Road, Tsimshatsui, Kowloon, Hong Kong  
Tel: <852> 2265-6688, Fax: <852> 2377-3473

**Renesas Technology Taiwan Co., Ltd.**  
10th Floor, No.99, Fushing North Road, Taipei, Taiwan  
Tel: <886> (2) 2715-2888, Fax: <886> (2) 3518-3399

**Renesas Technology Singapore Pte. Ltd.**  
1 Harbour Front Avenue, #06-10, Keppel Bay Tower, Singapore 098632  
Tel: <65> 6213-0200, Fax: <65> 6278-8001

**Renesas Technology Korea Co., Ltd.**  
Kukje Center Bldg. 18th Fl., 191, 2-ka, Hangang-ro, Yongsan-ku, Seoul 140-702, Korea  
Tel: <82> (2) 796-3115, Fax: <82> (2) 796-2145

**Renesas Technology Malaysia Sdn. Bhd**  
Unit 906, Block B, Menara Amcorp, Amcorp Trade Centre, No.18, Jln Persiaran Barat, 46050 Petaling Jaya, Selangor Darul Ehsan, Malaysia  
Tel: <603> 7955-9390, Fax: <603> 7955-9510

# RENESAS TECHNICAL UPDATE

Nippon Bldg., 2-6-2, Ohte-machi, Chiyoda-ku, Tokyo 100-0004, Japan  
Renesas Technology Corp.

Product Category	MPU&MCU		Document No.	TN-R8C-A002B/E	Rev.	2.00
Title	Specification Changes in the R8C/L35A Group, R8C/L35B Group, R8C/L36A Group, R8C/L36B Group, R8C/L38A Group, R8C/L38B Group, R8C/L3AA Group R8C/L3AB Group Hardware Manual		Information Category	Technical Notification		
Applicable Products	R8C/L35A Group, R8C/L35B Group R8C/L36A Group, R8C/L36B Group R8C/L38A Group, R8C/L38B Group R8C/L3AA Group and R8C/L3AB Group	Lot No.	Reference Document	Described below		
		---				

(8) in section 1-1 and section 2-8 have been revised in Revision 2.00.

## 1. Overview

The below changes have been made to the specifications described in the datasheet and hardware manual of the R8C/L3AA Group, R8C/L3AB Group, R8C/L38A Group, R8C/L38B Group, R8C/L36A Group, R8C/L36B Group, R8C/L35A Group and R8C/L35B Group.

### 1-1. Changes

- (1) Removed the high-speed on-chip oscillator
- (2) Changed the flash memory suspend function specifications
- (3) Changed the flash memory suspend electrical characteristics
- (4) Changed the timer RG specifications
- (5) Changed the LCD port specifications
- (6) Removed the voltage monitor 0 reset/power-on reset
- (7) Removed the voltage monitor 1 /comparator A1 and voltage monitor 2 / comparator A2 functions
- (8) Note on reducing power current

### 1-2. Reference Documents

The information in this document applies to the R8C/L35A Group, R8C/L35B Group, R8C/L36A Group, R8C/L36B Group, R8C/L35A Group, R8C/L38B Group, R8C/L3AA Group, R8C/L3AB Group Hardware Manual Rev.0.30 and Datasheet Rev.0.30.

## 2. Description

### 2-1. Removed the High-Speed On-Chip Oscillator

The high-speed on-chip oscillator function has been removed.

Do NOT select the high-speed on-chip oscillator as the clock source for the CPU clock or peripheral functions.

Descriptions regarding the high-speed on-chip oscillator in the reference documents shown in 1-2, other than descriptions shown in this technical update, are invalid.

## 2-1-1. Register Settings Related to the Clock Generation Circuit

### 2-1-1-1. High-Speed On-Chip Oscillator Control Register 0 (FRA0)

- (1) Do NOT set FRA00 bit to 1 (high-speed on-chip oscillator on) [refer to Figure 2-1]
- (2) Do NOT set FRA01 bit to 1 (high-speed on-chip oscillator selected as fOCO clock source) [refer to Figure 2-1].  
The fOCO is a clock source of timer RA.
- (3) Do NOT set FRA03 bit to 1 (fOCO-F divided by 128 selected as a clock source of fOCO128) [refer to Figure 2-1].  
fOCO128 is used as an input-capture signal of timers RC and RD.

### 2-1-1-2. System Clock Control Register 3 (CM3)

- (1) Do NOT set bits CM37 to CM36 bits to 10b (high-speed on-chip oscillator selected as CPU clock when the MCU exits wait mode or stop mode) [refer to Figure 2-2].

### 2-1-1-3. High-Speed On-Chip Oscillator Control Register i (FRAi) (i = 1 to 7)

- (1) Do NOT set the register related to the high-speed on-chip oscillator division select (FRA2) or registers related to frequency adjustment (FRA1 and FRA3 to FRA7).

## 2-1-2. Register Settings Related to Timer RA

### 2-1-2-1. High-Speed On-chip Oscillator Control Register 0 (FRA0)

- (1) Do NOT set the FRA01 bit to 1 (high-speed on-chip oscillator selected for the fOCO clock) [refer to Figure 2-1]. The high-speed on-chip oscillator clock cannot be selected as the timer RA count source.

## 2-1-3 Register Settings Related to Timer RC

### 2-1-3-1. Timer RC Control Register 1 (TRCCR1)

- (1) Do NOT set bits TCK2 to TCK0 to 110b (fOCO40M selected as the timer RC count source) [refer to Figure 2-3].
- (2) Do NOT set bits TCK2 to TCK0 to 111b (fOCO-F selected as the timer RC count source) [refer to Figure 2-3].

### 2-1-3-2. High-speed On-Chip Oscillator Control Register 0 (FRA0)

- (1) Do NOT set the FRA03 bit to 1 (fOCO-F divided by 128 selected as the fOCO 128 clock) [refer to Figure 2-1]. For the timer RC input-capture function, fOCO-F divided by 128 cannot be selected for the input-capture trigger input of the TRCGRA register.

## 2-1-4. Register Settings Related to Timer RD

### 2-1-4-1. Timer RD Control Register 0, 1 (TRDCR0, TRDCR1)

- (1) Do NOT set bits TCK2 to TCK0 to 110b (fOCO40M selected as the timer RD count source) [refer to Figure 2-4].
- (2) Do NOT set bits TCK2 to TCK0 to 111b (fOCO-F selected as the timer RD count source) [refer to Figure 2-4].

### 2-1-4-2. High-speed On-Chip Oscillator Control Register 0 (FRA0)

- (1) Do NOT set the FRA03 bit to 1 (fOCO-F divided by 128 cannot be selected for the input-capture trigger input of the TRDGRA0 register [refer to Figure 2-1]. For the timer RD input-capture function, fOCO-F divided by 128 cannot be selected for the input-capture trigger input of the TRDGRA register.

2-1-5. Timer RG Control Register Settings

2-1-5-1. Timer RG Control Register (TRGCR)

(1) Do NOT set bits TCK2 to TCK0, the count source select bits in the timer RG control register (TRGCR), to 110b (fOCO40M selected as a count source of timer RG) [refer to Figure 2-5].

2-1-6. Register Settings for the A/D Converter

2-1-6-1. A/D Mode Register (ADMOD)

(1) Do NOT set the CKS2 bit to 1 (fOCO-F selected as the A/D converter operating clock source) [refer to Figure 2-6].

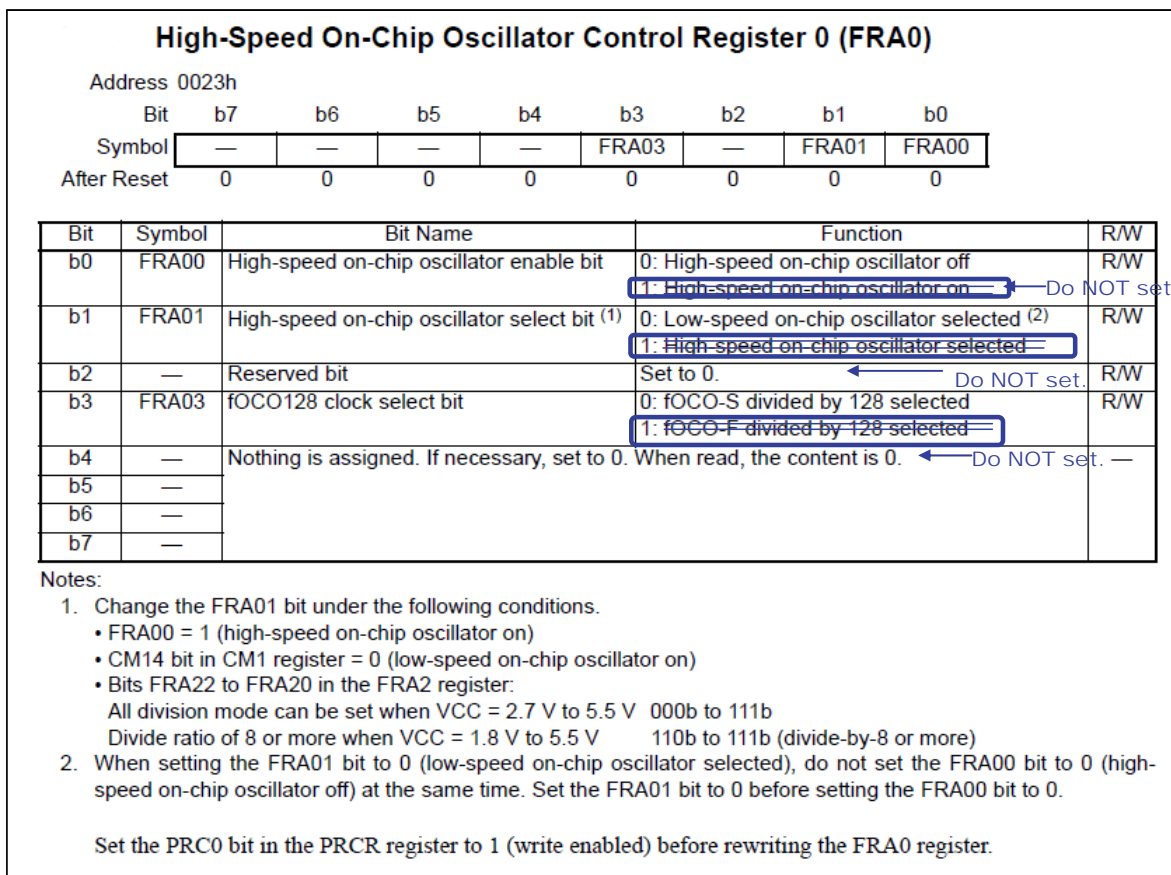


Figure 2-1.High-Speed On-Chip Oscillator Control Register 0 (FRA0) Setting

### System Clock Control Register 3 (CM3)

Address 0009h

Bit	b7	b6	b5	b4	b3	b2	b1	b0
Symbol	CM37	CM36	CM35	—	—	—	—	CM30
After Reset	0	0	0	0	0	0	0	0

Bit	Symbol	Bit Name	Function	R/W
b0	CM30	Wait control bit (1)	0: Other than wait mode 1: MCU enters wait mode	R/W
b1	—	Nothing is assigned. If necessary, set to 0. When read, the content is 0.		—
b2	—			
b3	—	Reserved bits	Set to 0.	R/W
b4	—			
b5	CM35	CPU clock division ratio select bit when exiting wait mode (2)	0: Following settings are enabled: CM06 bit in CM0 register Bits CM16 and CM17 in CM1 register 1: No division	R/W
b6	CM36	System clock select bit when exiting wait or stop mode	<sup>b7 b6</sup> 0 0: MCU exits with the CPU clock used immediately before entering wait or stop mode 0 1: Do not set. 1 0: High-speed on-chip oscillator clock selected (3) 1 1: XIN clock selected (4) → Do NOT set.	R/W
b7	CM37			R/W

**Notes:**

- When the MCU exits wait mode by a peripheral function interrupt, the CM30 bit is set to 0 (other than wait mode).
- Set the CM35 bit to 0 in stop mode. When the MCU enters wait mode, if the CM35 bit is set to 1 (no division), the CM06 bit in the CM0 register is set to 0 (bits CM16 and CM17 enabled) and bits CM17 and CM16 in the CM1 register is set to 00b (no division mode).
- ~~When bits CM37 to CM36 are set to 10b (high-speed on-chip oscillator clock selected), the following will be set when the MCU exits wait mode or stop mode:~~
  - ~~• OCD2 bit in OCD register = 1 (on-chip oscillator selected)~~
  - ~~• FRA00 bit in FRA0 register = 1 (high-speed on-chip oscillator on)~~
  - ~~• FRA01 bit in FRA0 register = 1 (high-speed on-chip oscillator selected)~~
- When bits CM37 to CM36 are set to 11b (XIN clock selected), the following will be set when the MCU exits wait mode or stop mode.
  - OM05 bit in OM0 register = 1 (XIN clock oscillates)
  - OM13 bit in OM1 register = 1 (XIN-XOUT pin)
  - OCD2 bit in OCD register = 0 (XIN clock selected)

When the MCU enters wait mode while the CM05 bit in the CM0 register is 1 (XIN clock stops), if the XIN clock is selected as the CPU clock when exiting wait mode, set the CM06 bit to 1 (divide-by-8 mode) and the CM35 bit to 0.

However, if an externally generated clock is used as the XIN clock, do not set bits CM37 to CM36 to 11b (XIN clock selected).

Set the PRC0 bit in the PRCR register to 1 (write enabled) before rewriting the CM3 register.

Figure 2-2. System Clock Control Register 3 (CM3) Setting

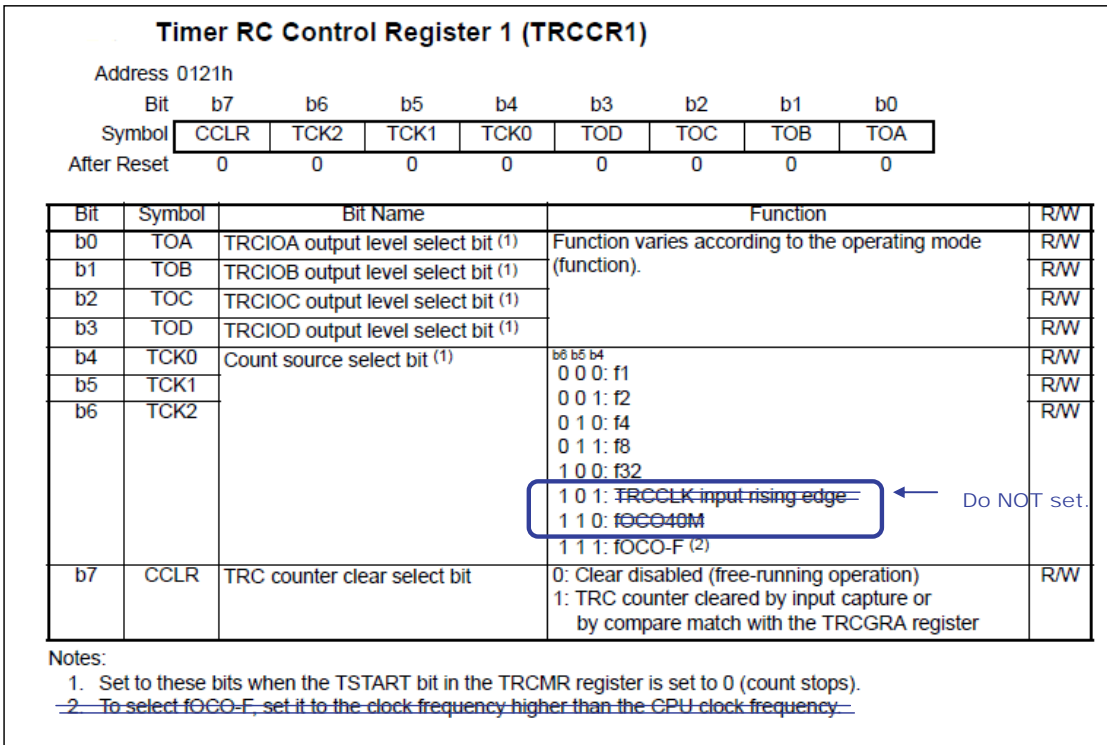


Figure 2-3. Timer RC Control Register 1 (TRCCR1) Setting

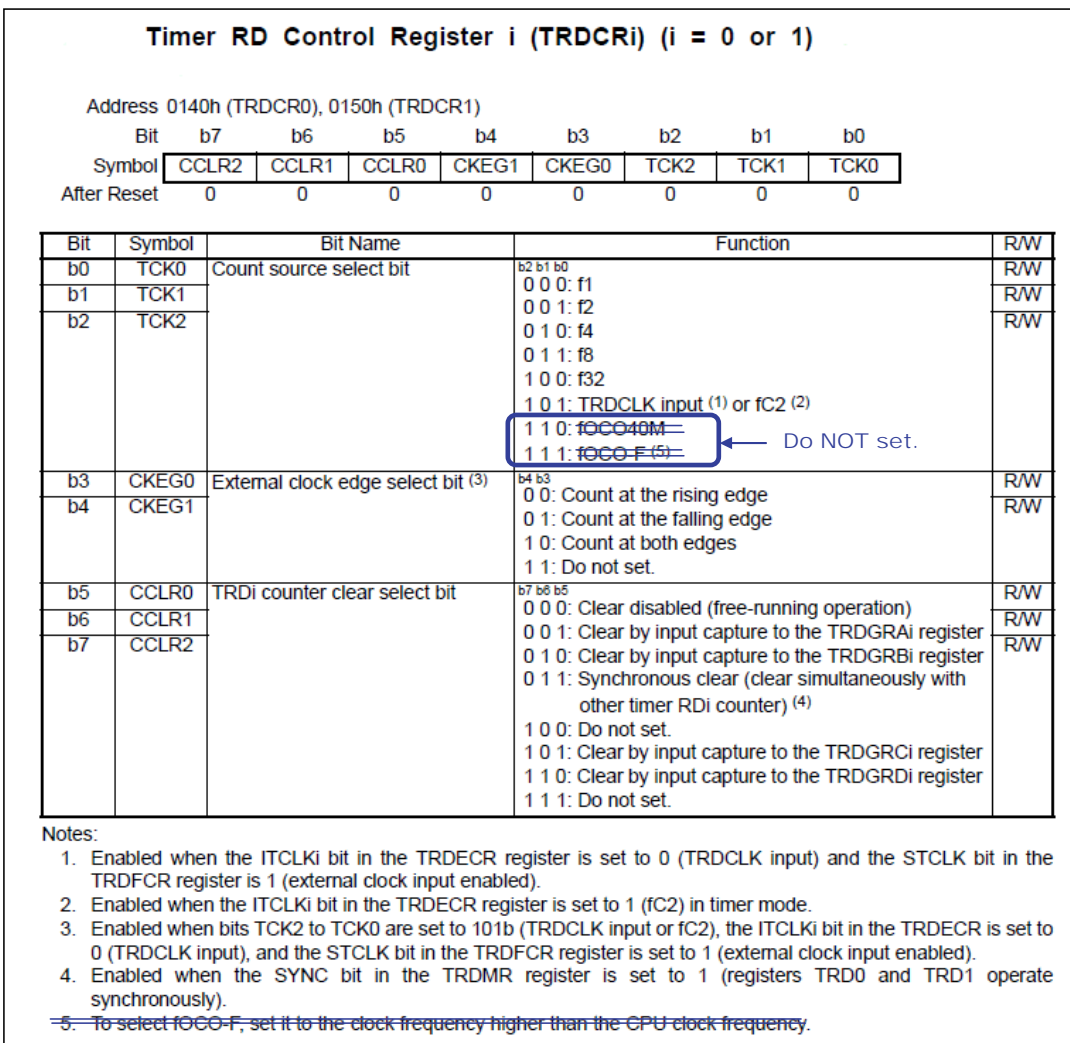


Figure 2-4. Timer RD Control Register 0,1 (TRDCR0, TRDCR1) Setting



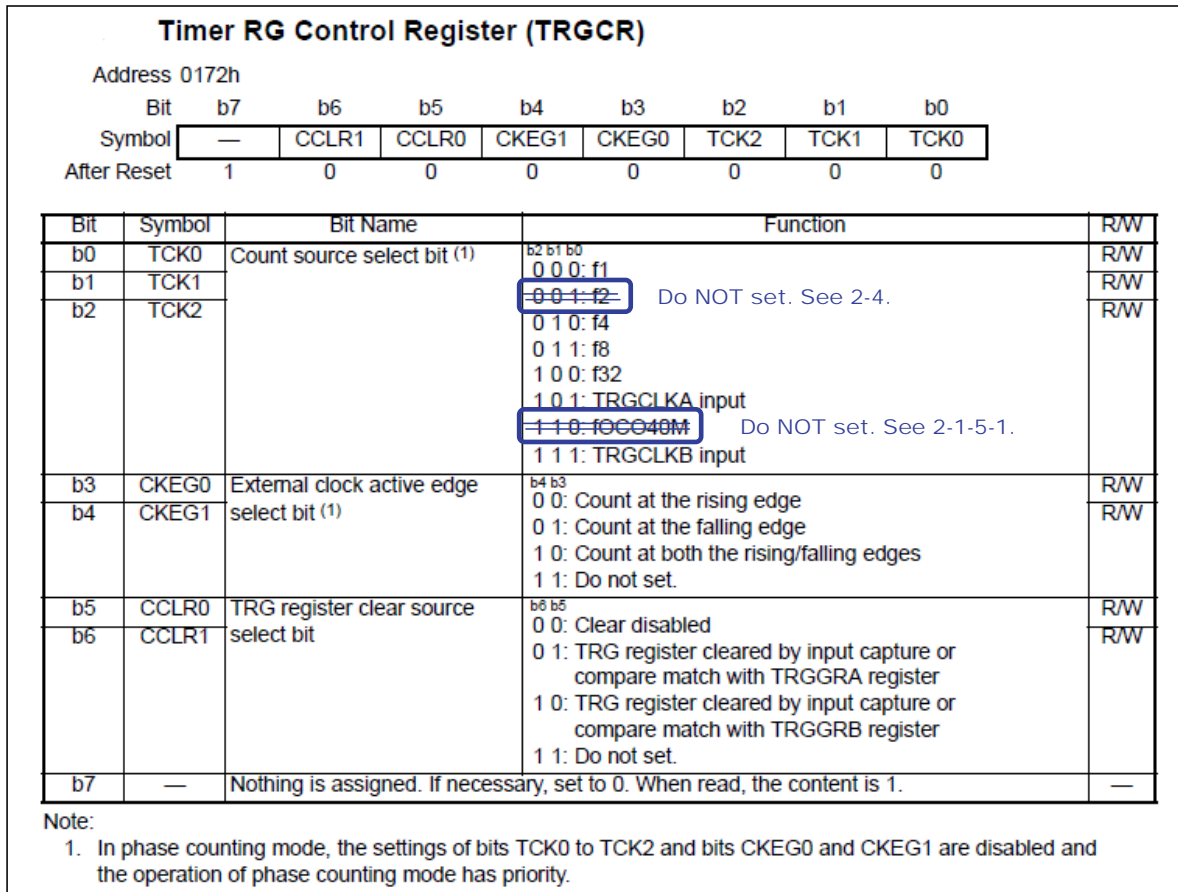


Figure 2-5. Timer RG Control Register (TRGCR) Setting

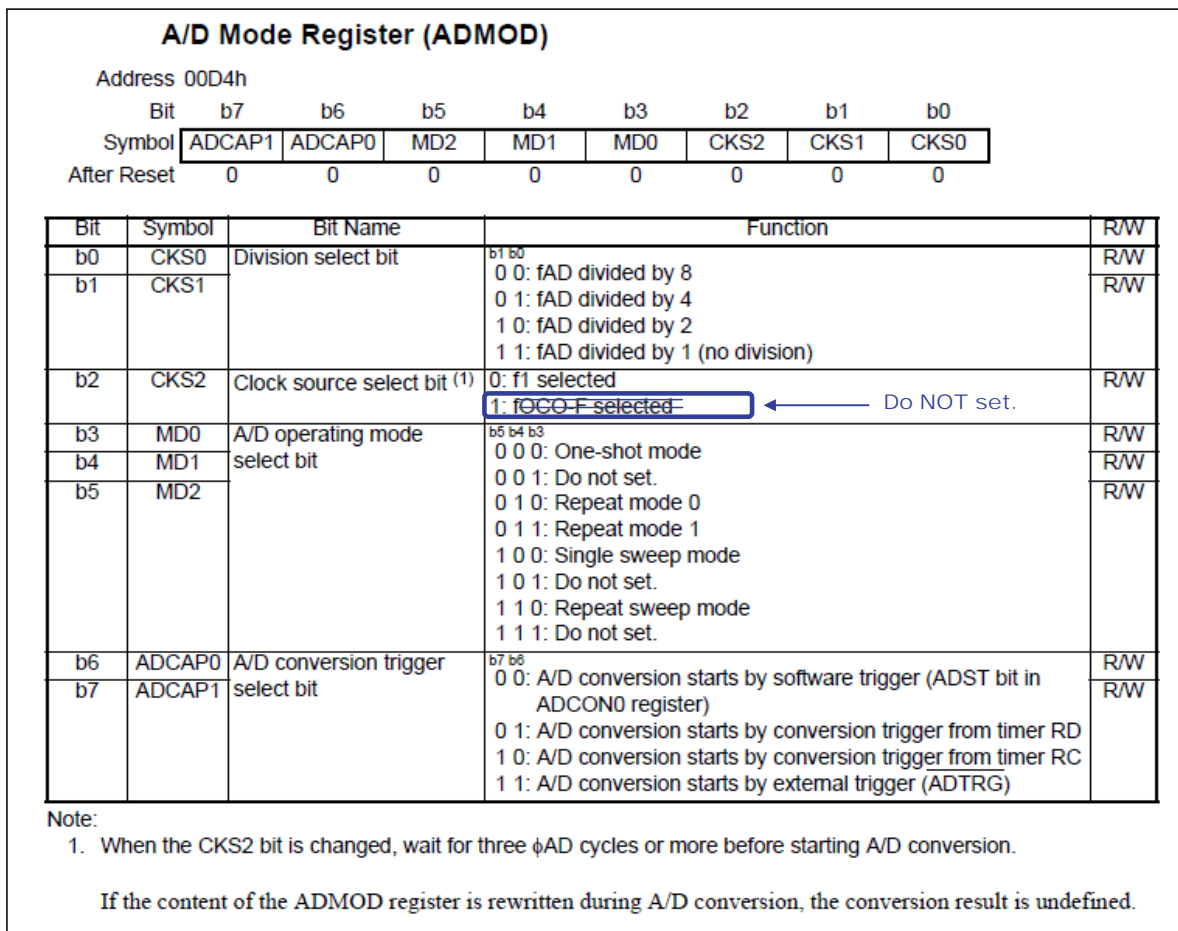


Figure 2-6. A/D Mode Register (ADMOD) Setting

2-2. Changes in the Flash Memory Suspend Function

Flash programming operation is disabled when the auto-erase is suspended while using the flash memory suspend function.

**Executable Operation during Suspend**

		Operation during Suspend											
		Data flash (Block during erasure execution before entering suspend)			Data flash (Block during no erasure execution before entering suspend)			Program ROM (Block during erasure execution before entering suspend)			Program ROM (Block during no erasure execution before entering suspend)		
		Erase	Program	Read	Erase	Program	Read	Erase	Program	Read	Erase	Program	Read
Areas during erasure execution before entering suspend	Data flash	×	×	×	×	⊖	○	—	—	—	×	⊖	○ <sup>(5)</sup>
	Program ROM	—	—	—	×	⊖	○	×	×	×	×	⊖	○

Notes:

- indicates operation is enabled by using the suspend function, × indicates operation is disabled, and — indicates no combination is available.
- Operation cannot be suspended during programming.
- The block erase command can be executed for erasure. The program, lock bit program, and read lock bit status commands can be executed for programming. The clear status register command can be executed when the FST7 bit in the FST register is set to 1 (ready). The operation of block blank check is disabled during suspend.
- The MCU enters read array mode immediately after entering erase-suspend.
- The program ROM area can be read with the BGO function while programming or block erasing data flash.

**Program is also not available with Data Flash driver in condition indicated in   .**

Figure 2-7. Flash Memory Suspend Function

2-3. Changes in the Flash Memory Suspend Function Electrical Characteristics

Wait for at least 33 ms after the erase start/restart request before the making the next erase/suspend request. This is described as the "Interval from erase start/restart until suspend" in the hardware manual [refer to Figure 2-7].

**Flash Memory (Program ROM) Characteristics**  
(VCC = 2.7 to 5.5 V and T<sub>opr</sub> = 0 to 60°C, unless otherwise specified.)

—	Interval from erase start/restart until following suspend request		⊖ → 33	—	—	⊖ → ms
—	Suspend interval necessary for auto-erasure to complete		33	—	—	ms

**Flash Memory (Data flash Block A to Block D) Characteristics**  
(VCC = 2.7 to 5.5 V and T<sub>opr</sub> = -20 to 85°C (N version) / -40 to 85°C (D version), unless otherwise specified.)

—	Interval from erase start/restart until following suspend request		⊖ → 33	—	—	⊖ → ms
—	Suspend interval necessary for auto-erasure to complete		33	—	—	ms

Figure 2-8. Flash Memory Suspend Electrical Characteristics



#### 2-4. Change in the Timer RG Function

Do NOT set the count source select bits (TCK2 to TCK0) in the timer RG control register (TRGCR) to 001b (f2 selected as the count source of timer RG) [refer to Figure 2-5].

#### 2-5. Changes in the LCD Port Function

##### 2-5-1. LCD Port Select Register 0 (LSE0)

This information applies to the R8C/L35A Group, R8C/L36A Group, R8C/L35B Group, and R8C/L36B Group.

Do NOT set bits LSE06 and LSE07 to 1 (SEG6 and SEG7 port functions selected). P0\_6/SEG6 and P0\_7/SEG7 cannot be used as segment pins SEG6 and SEG7. P0\_6/SEG6 and P0\_7/SEG7 can be used as I/O ports P0\_6 and P0\_7.

##### 2-5-2. LCD Port Select Register 2 (LSE2)

This information applies to the R8C/L38A Group and R8C/L38B Group.

Do NOT set the LSE16 bit to 1 (SEG16 port function selected). P2\_0/SEG16/KI0 cannot be used as segment pin SEG16. P2\_0/SEG16/KI0 can be used as I/O port P0\_2 and KI0.

#### 2-6. Voltage Monitor 0 Reset and Power-On Reset

The voltage monitor 0 reset and power-on reset cannot be used. Use a hardware reset to reset the MCU. In the documents listed in section 1-2, descriptions of the voltage monitor 0 reset and power-on reset are invalid.

#### 2-7. Removed the Voltage Monitor 1 / Comparator A1 Interrupt and Voltage Monitor 2 / Comparator A2 Interrupt Functions

Voltage monitor 1 / comparator A1 and voltage monitor 2 / comparator A2 cannot be used. In the documents listed in section 1-2, description of the voltage monitor 0 reset or power-on reset are invalid.

#### 2-8. Note on Reducing Power Current

Write 00h to the POMCR0 register (address 0020h) by a program. Current consumption may increase until 00h is written to the POMCR0 register.

Sample code: MOV.B #00H, 0020H

#### 3. Other Note

Note regarding pins P12\_1 and P12\_0.

P12\_1 and P12\_0 are shared with XIN and XOUT. When XIN is used as a clock, these ports cannot be used as I/O ports.

#### 4. Slated Changes

Contact the Renesas Technology sales department for schedule and products with high-speed on-chip oscillator.

- End of description -