

# R-IN32M3 Module (RY9012A0)

R19DS0109CJ0204

Rev.2.04

May 31, 2023

## 工业以太网模块

### 1. 说明

#### 1.1 概述

R-IN32M3 模块是具有 PROFINET、EtherNet / IPTM 和 EtherCAT® 协议的嵌入式工业以太网模块。在该小型模块中内置支持工业以太网所需的 PHY、RJ45 连接器等硬件和经过认证的协议栈，因此可以以最小的开发成本和较少的工时来实现支持工业以太网。

控制用户应用程序的 MCU 可以通过 9 针连接器进行 SPI 连接，以实现与用户应用程序交换实时网络数据。

该模块可以通过更新固件来始终支持每个工业以太网通信协议的最新标准。

作为连接 R-IN32M3 模块的 MCU 示例，我们为瑞萨电子的 RX 系列、RA 系列、RL78 系列和 Synergy 评估板提供了示例应用程序和相关文档，可以有助于缩短产品的上市时间。

#### 1.2 产品特性

- 支持 PROFINET RT、EtherNet/IP™ 和 EtherCAT® 实时通信标准 \*
- 具有双端口以太网接口的一体紧凑型机身，包括以太网 PHY 和 RJ45 连接器
- 以太网端口具有自动协商机制，支持 10 Mbit/s 和 100 Mbit/s 速率
- 提供 Renesas RA, RX, Synergy™ 和 RL78 源代码形式的全面工具支持和应用示例

\*ModbusTCP is also supported by host MCU control

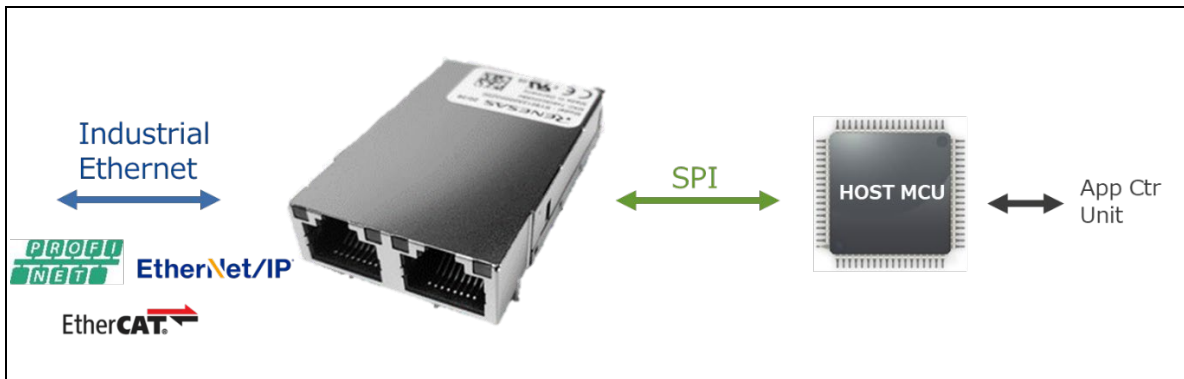


图 1.1 構成製品仕様

### 1.3 通信协议特性

此功能是固件版本 2.1.0.0 或更高版本的条件。

#### PROFINET

- PROFINET IO Conformance Class B
- 最小循环时间 1 ms
- 最大读/写 1434 Byte 处理数据<sup>(\*)</sup>
- 支持 LLDP, SNMP
- 支持 MRP
- 支持 Alarm Queue
- 支持 web browser, http

#### EtherNet/IP

- 最小循环时间 1 ms
- 最大连接大小 495 Bytes (\*1)
- 支持 DLR (Device Level Ring)
- 支持 QoS
- 支持 ACD
- 支持 web browser and http
- 支持 Object
  - Identity Object
  - Message Router Object
  - Assembly Object
  - Connection Manager Object
  - TCP/IP Object
  - Ethernet Link Object
  - DLR (Ring Node only)
  - QoS Parameter Objects

#### EtherCAT

- EtherCAT communication profile
  - CAN application protocol over EtherCAT (CoE)
  - Ethernet over EtherCAT (EoE)
  - File Access over EtherCAT (FoE)
- 支持 Explicit Device ID
- 支持; Free-Run, Sync Manager and Distributed Clocks (DC)
- 最大 PDO 1408 Byte <sup>(\*)</sup>

<sup>(\*)</sup> 循环过程数据的大小限制了通信周期

## 1.4 出厂固件版本

R-IN32M3 模块的出厂固件版本因制造时期而异。

固件版本可以通过产品标签右上方数字的组合来识别。具体固件版本如下。

20/**	Firmware Ver.1.1.9
21/**	Firmware Ver.1.1.9
22/**	Firmware Ver.2.1.4

产品标签详情请参考『R-IN32M3 Module (RY9012A0)用户手册:硬件(R19UH0122CJ0202-r-in32m3-module.pdf)』第九章『9. 标记规范』



图 1.2 出厂固件版本

## 1.5 订购信息

部件编号	应用	包装
RY9012A0000GZ00#001	双口工业以太网模块	30 片托盘包装
RY9012A0000GZ00#002	双口工业以太网模块	1 片样品包装

注： 本文档中的信息如有更改，恕不另行通知。在使用本文档之前，请确认这是最新版本。  
所有产品和/或型号并非在每个国家都有售。请咨询我们的销售代表，了解产品供应信息和其他信息。

## 2. 引脚说明

模块引脚由以太网引脚、电源引脚、SPI 引脚和同步引脚组成。SPI 是一个从属接口。

### 2.1 以太网端口

以太网端口符合 IEEE 802.3 10BASE-T/100BASE-TX 半双工/全双工要求，如表 2.1 所示，具有以下引脚分配：

表 2.1 以太网端口

引脚	信号	I/O	说明
1	TX+	O	发送正信号
2	TX-	O	发送负信号
3	RX+	I	接收正信号
4	未使用		排扰线
5	未使用		排扰线
6	RX-	I	接收负信号
7	未使用		排扰线
8	未使用		排扰线

### 2.2 应用接口

模块引脚与电源和 SPI 连接。SPI 是一个从属接口。

表 2.2 应用接口

引脚	信号	I/O	说明
1	Vcc		3.3V ±0.15V DC 电源
2	GND		接地
3	/SS	I	从属选择：低电位有效，以启用从设备
4	/RESET	I	复位整个 R-IN32M3 Module：低电位有效
5	MISO	O	主设备输入，从设备输出：数据从从设备传输到主设备
6	MOSI	I	主设备输出，从设备输入：数据从主设备传输到从设备
7	SCLK	I	串行时钟：主设备提供时钟给数据的时间转移
8	SYNC0	O	分布式时钟的 EtherCAT 同步信号
9	SYNC1	O	分布式时钟的 EtherCAT 同步信号

注： 分布式时钟使用的 EtherCAT 同步信号引脚 8 和引脚 9，仅用于 EtherCAT 协议，并遵照 EtherCAT 规范运行。

### 2.2.1 SPI 操作

R-IN32M3 Module 的内置 SPI 用于将模块连接到外部应用程序处理器。

为了使模块时钟独立于外部应用程序处理器的时钟，通过 SPI 接口的串行传输处于异步模式，并由模块的以下四个引脚进行处理。

- MOSI (主出, 从入引脚)
- MISO (主入, 从出引脚)
- SCLK (RSPI 时钟) 信号
- SS (从属选择)

作为 SPI 主机的应用程序控制器决定 SPI 通信模式。SPI 数据格式是 MSB 优先，每次传输中的位数为 8 位。使用 128 字节的传输缓冲，可以实现传输多个请求。

通信基于循环方式，过程数据可以响应应用程序控制器的请求,而循环地发送。采用同一传输方式进行实时和非实时通信(RPC)。但是，该通信的处理与实时通信的处理是分离的。因此，可以独立于 API 函数的调用，实现交换实时数据。

### 3. 内部框图

#### 3.1 框图：硬件

图 3.1 显示了 R-IN32M3 Module 的内部硬件框图。

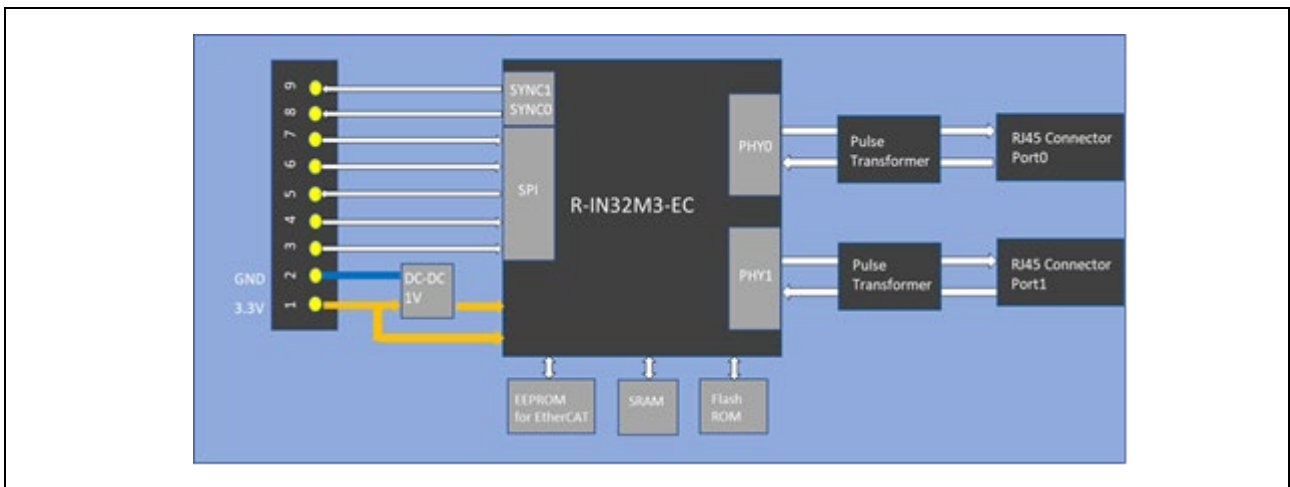


图 3.1 内部硬件框图

### 3.2 框图：软件

图 3.2 显示了 R-IN32M3 Module 的软件框图及其与应用程序处理器的连接方式。

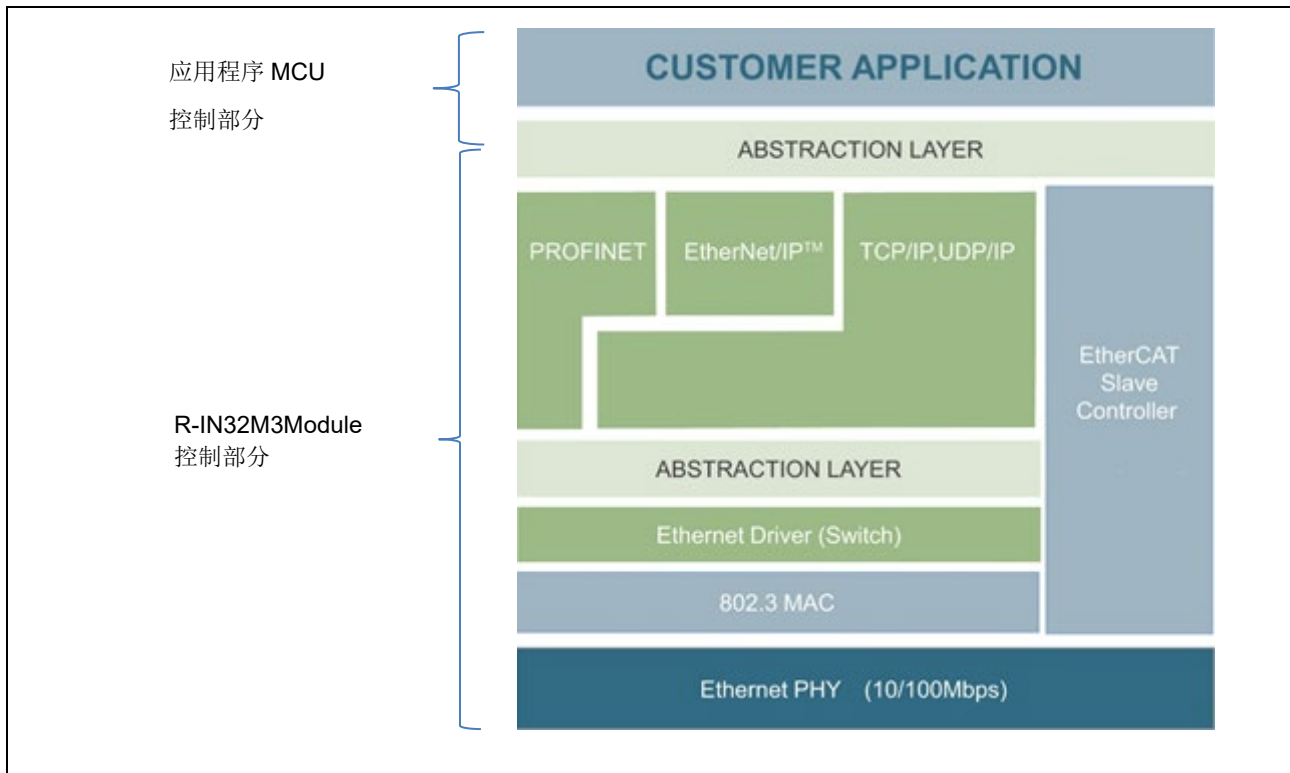


图 3.2 R-IN32M3 Module 软件框图解决方案

## 4. 电气特性

### 4.1 绝对最大额定值

超过下表最大额定值的参数，即使在短时间内也可能损坏 R-IN32M3 Module。我们不能保证各种功能在超出推荐操作条件的范围下能够运行。长时间处在超出推荐操作条件下使用，可能会影响设备的可靠性。

表 4.1 绝对最大额定值

参数	符号	额定值	单位
电源电压	V <sub>CC</sub>	-0.2 至+3.6	V
I/O 电压	V <sub>I/Vo</sub>	-0.3 至+3.6	V
输出电流	I <sub>o</sub>	15	mA
储存温度	T <sub>stg</sub>	-40 至+85	° C

备注：已根据 IEC 60512-11-4 (-40°C/125°C)、IEC 60512-11-9 (125°C)、IEC 60512-11-10 (-40°C)、IEC 60512-11-3 (40°C/85%RH) 和 IEC 60512-11-12 进行了试验

**注意：** 即使短时间超出任何绝对最大额定值，产品质量也可能会受到影响。即，绝对最大额定值是指产品处于物理损坏边缘的额定值，因此必须在确保不超过这些额定值的条件下使用产品。

**备注：** 只有在电源电压上电之后，才需要对 I/O 引脚施加 3.3 V 电压。

### 4.2 工作条件

表 4.2 工作条件

参数	符号	最小值	典型值	最大值	单位
电源电压	V <sub>CC</sub>	3.15	3.3	3.45	V
功耗	P		1.3	2.0	W
输入电压高	V <sub>IH</sub>	2.0		V <sub>CC</sub> + 0.3	V
输入电压低	V <sub>IL</sub>	-0.3		0.8	V
输入电压高 (/RESET)	V <sub>IH</sub> RESET	2.2		V <sub>CC</sub>	V
输入电压低 (/RESET)	V <sub>IL</sub> RESET	-0.2		0.3	V
输出电压高	V <sub>OH</sub>	V <sub>CC</sub> - 0.1			V
输出电压低	V <sub>OL</sub>			0.1	V
输出电流低	I <sub>OL</sub>	6			mA
输出电流高	I <sub>OH</sub>	-6			mA
工作温度	T <sub>a</sub>	-40		70	° C



下面所有的规格和时间的设置规范，都是在假定表 4.2 所述工作条件的前提之下才适用。

### 4.3 SPI 规格

表 4.3 SPI 规格

$V_{CC} = 3.3 \pm 0.15 \text{ V}$ ,  $T_a = -40$  到  $+70^\circ \text{ C}$

参数	符号	条件	最小值	最大值	单位
SCLK 输入周期	$t_{CSISSCK}$	-	60	-	ns
SCLK 输出高电平宽度	$t_{WSKH}$	-	$t_{CSIMSCK} \times 0.5 - 5.0$	-	ns
SCLK 输出低电平宽度	$t_{WSKL}$	-	$t_{CSIMSCK} \times 0.5 - 5.0$	-	ns
MOSI 输入设置时间 (对 CSISCKn ↑)	$t_{SSSI}$	-	10	-	ns
MOSI 输入设置时间 (对 CSISCKn ↓)	$t_{SSSI}$	-	10	-	ns
MOSI 输入保持时间 (对 CSISCKn ↑)	$t_{HSSI}$	-	15	-	ns
MOSI 输入保持时间 (对 CSISCKn ↓)	$t_{HSSI}$	-	15	-	ns
MISO 输出延迟时间 (对 CSISCKn ↑)	$t_{DSSO}$	$C_L = 15 \text{ pF}$	-	10	ns
MISO 输出延迟时间 (对 CSISCKn ↓)	$t_{DSSO}$		-	10	ns
MISO 输出保持时间 (对 CSISCKn ↑)	$t_{HSSO}$		$t_{CSISSCK} \times 0.5 - 5.0$	-	ns
MISO 输出保持时间 (对 CSISCKn ↓)	$t_{HSSO}$		$t_{CSISSCK} \times 0.5 - 5.0$	-	ns

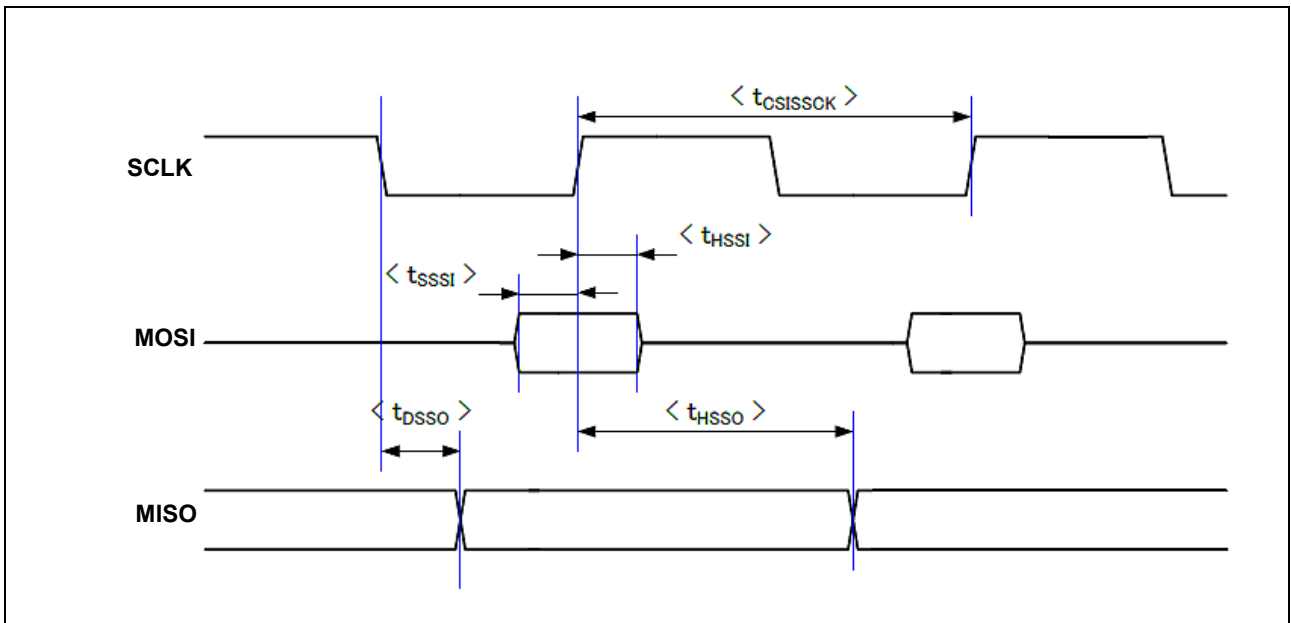


图 4.1 SPI 访问时序图

## 5. 适用标准

R-IN32M3 Module 符合以下标准:

### CE 标志 · UKCA 标志

#### 排放 EN61000-6-4

- ✓ EN55016-2-3 辐射排放
- ✓ EN55022 传导排放

#### 抗扰度 EN61000-6-2

- ✓ EN61000-4-2 静电放电抗扰度测试
- ✓ EN61000-4-3 辐射射频抗扰度
- ✓ EN61000-4-4 电快速瞬变/脉冲群抗扰度测试
- ✓ EN61000-4-5 浪涌抗扰度试验
- ✓ EN61000-4-6 射频场感应的传导诱扰抗扰度

### RoHS / REACH



### UL

- ✓ UL 61010-1, 第 3 版和 UL 61010-2-201, 第 2 版认证
- ✓ CAN/CSA C22.2 No. 61010-1, 3rd Edition 和 CAN/CSA C22.2 No. 61010-2-201:18 认证

6. 包装尺寸

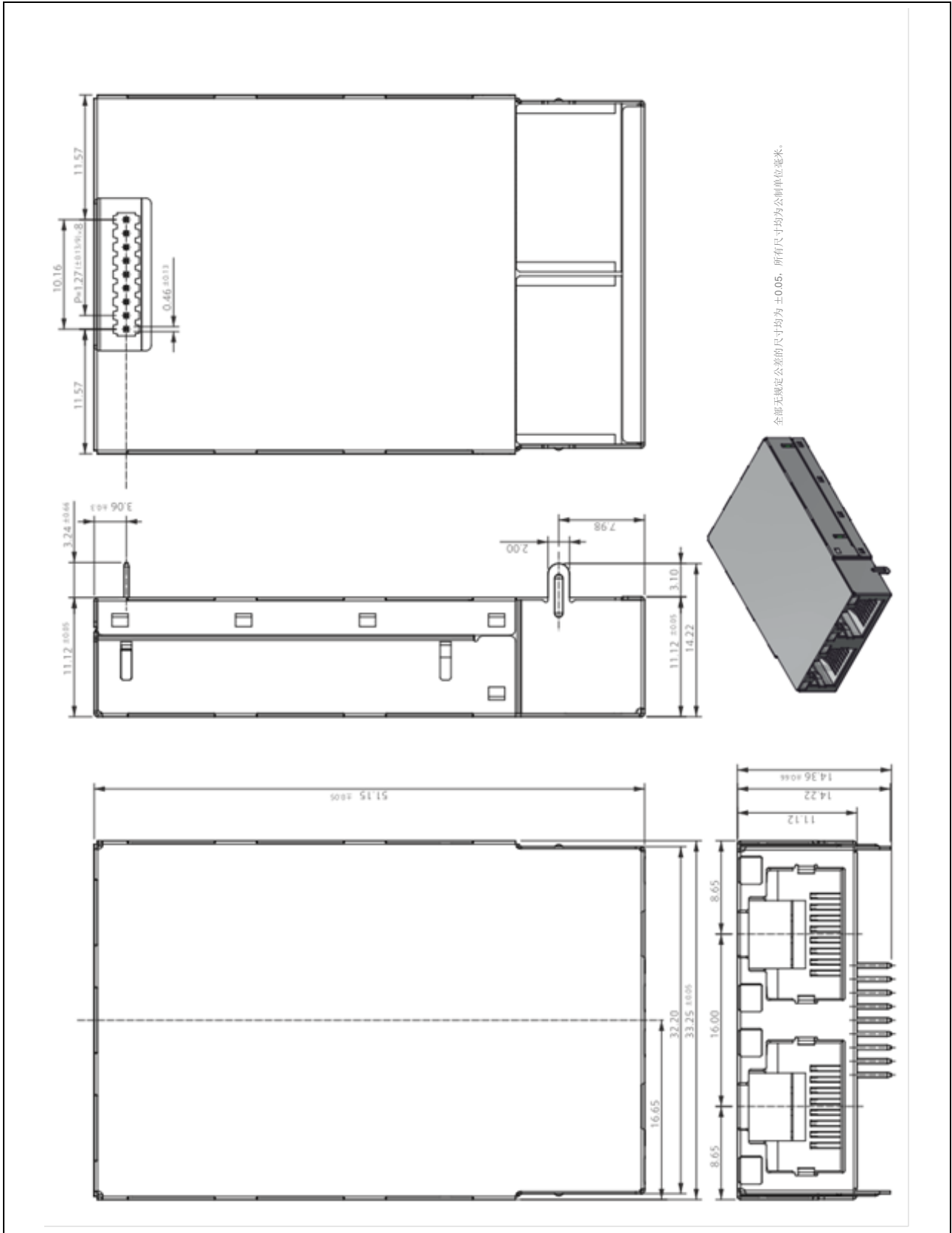


图 6.1 包装尺寸

## 7. 相关产品

R-IN32M3 模块可轻松启动和运行工业以太网。

欲了解更多信息，[請訪問網站](#)

### ■ R-IN32M3 Module adapter board [YCONNECT-IT-I-RJ4501]

通過 Arduino™ 或 P-mod 接口連接現有的 MCU 評估板。

可用示例軟件：EK-RA6M4 / EK-RA6M3 (RA)、RL78/G14 和 SK-S7G2(Synergy)

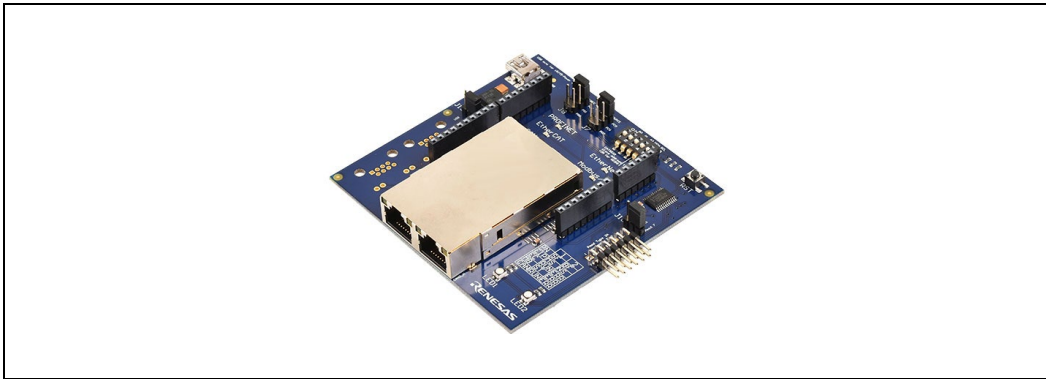


Figure 7.1 Adapter board

### ■ R-IN32M3 Module CPU card [SEMB1320]

R-IN32M3 模塊和 RX66T CPU 卡集成。

可用示例軟件：SEMB1320 (RX66T)

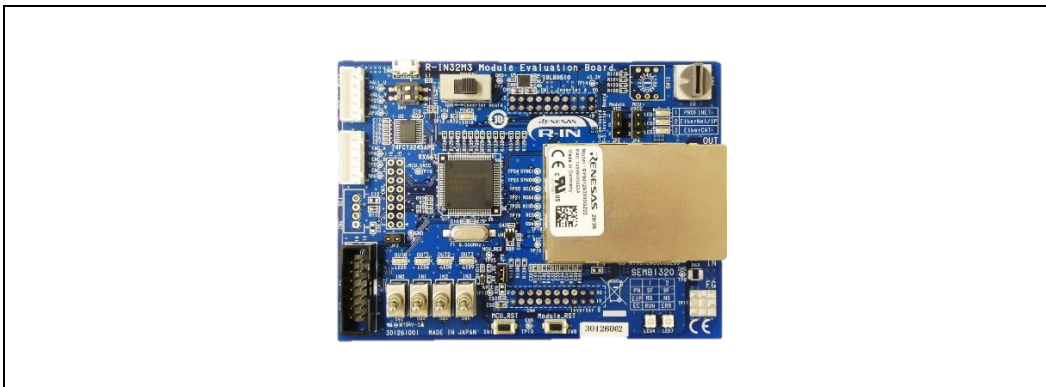


Figure 7.2 CPU card

SEMB1320 是島富士電機株式會社的產品。

修订记录		R-IN32M3 Module (RY9012A0) 数据手册	
版本	日期	说明	
		页码	摘要
1.00	2020年9月1日	-	发布第一版
2.00	2021年1月15日	1	更新 Industrial Communication Explorer (ICE)
2.01	2021年6月14日	2	更新通信协议特性
2.02	2021年10月15日	1	第1.1章和第1.3章中的更改描述
		2	FW 2.1.0 更新功能
		10	UL 的描述
2.03	2022年8月5日	-	修改章节结构
		3	第1.5章 添加 出厂默认固件
		10	第5章 添加 UKCA
		12	第7章 添加 SEMB1320
2.04	2023年5月31日	1	第1.2章 添加 ModbusTCP
		-	小更正

# General Precautions in the Handling of Microprocessing Unit and Microcontroller Unit Products

The following usage notes are applicable to all Microprocessing unit and Microcontroller unit products from Renesas. For detailed usage notes on the products covered by this document, refer to the relevant sections of the document as well as any technical updates that have been issued for the products.

## 1. Precaution against Electrostatic Discharge (ESD)

A strong electrical field, when exposed to a CMOS device, can cause destruction of the gate oxide and ultimately degrade the device operation. Steps must be taken to stop the generation of static electricity as much as possible, and quickly dissipate it when it occurs. Environmental control must be adequate. When it is dry, a humidifier should be used. This is recommended to avoid using insulators that can easily build up static electricity.

Semiconductor devices must be stored and transported in an anti-static container, static shielding bag or conductive material. All test and measurement tools including work benches and floors must be grounded. The operator must also be grounded using a wrist strap. Semiconductor devices must not be touched with bare hands. Similar precautions must be taken for printed circuit boards with mounted semiconductor devices.

## 2. Processing at power-on

The state of the product is undefined at the time when power is supplied. The states of internal circuits in the LSI are indeterminate and the states of register settings and pins are undefined at the time when power is supplied. In a finished product where the reset signal is applied to the external reset pin, the states of pins are not guaranteed from the time when power is supplied until the reset process is completed. In a similar way, the states of pins in a product that is reset by an on-chip power-on reset function are not guaranteed from the time when power is supplied until the power reaches the level at which resetting is specified.

## 3. Input of signal during power-off state

Do not input signals or an I/O pull-up power supply while the device is powered off. The current injection that results from input of such a signal or I/O pull-up power supply may cause malfunction and the abnormal current that passes in the device at this time may cause degradation of internal elements. Follow the guideline for input signal during power-off state as described in your product documentation.

## 4. Handling of unused pins

Handle unused pins in accordance with the directions given under handling of unused pins in the manual. The input pins of CMOS products are generally in the high-impedance state. In operation with an unused pin in the open-circuit state, extra electromagnetic noise is induced in the vicinity of the LSI, an associated shoot-through current flows internally, and malfunctions occur due to the false recognition of the pin state as an input signal become possible.

## 5. Clock signals

After applying a reset, only release the reset line after the operating clock signal becomes stable. When switching the clock signal during program execution, wait until the target clock signal is stabilized. When the clock signal is generated with an external resonator or from an external oscillator during a reset, ensure that the reset line is only released after full stabilization of the clock signal. Additionally, when switching to a clock signal produced with an external resonator or by an external oscillator while program execution is in progress, wait until the target clock signal is stable.

## 6. Voltage application waveform at input pin

Waveform distortion due to input noise or a reflected wave may cause malfunction. If the input of the CMOS device stays in the area between  $V_{IL}$  (Max.) and  $V_{IH}$  (Min.) due to noise, for example, the device may malfunction. Take care to prevent chattering noise from entering the device when the input level is fixed, and also in the transition period when the input level passes through the area between  $V_{IL}$  (Max.) and  $V_{IH}$  (Min.).

## 7. Prohibition of access to reserved addresses

Access to reserved addresses is prohibited. The reserved addresses are provided for possible future expansion of functions. Do not access these addresses as the correct operation of the LSI is not guaranteed.

## 8. Differences between products

Before changing from one product to another, for example to a product with a different part number, confirm that the change will not lead to problems. The characteristics of a microprocessing unit or microcontroller unit products in the same group but having a different part number might differ in terms of internal memory capacity, layout pattern, and other factors, which can affect the ranges of electrical characteristics, such as characteristic values, operating margins, immunity to noise, and amount of radiated noise. When changing to a product with a different part number, implement a system-evaluation test for the given product.

# 微处理器和微控制器产品的通用预防措施

下列使用说明适用于 **Renesas** 的所有微处理器和微控制器产品。有关本文件中所涵盖产品的详细使用说明，请参阅文件的相关章节以及发布的任何产品技术更新。

## 1 防静电放电(ESD)

暴露于 CMOS 设备的强电场会导致栅氧化层破坏，并最终导致设备的运行退化。必须采取措施尽可能阻止静电的产生，并在静电产生时迅速使之消散。必须采取适当的环境控制措施。天气干燥时，应使用加湿器。建议避免使用容易聚集静电的绝缘体。必须在防静电容器、静电屏蔽袋或导电材料中储存和运输半导体器件。必须将所有测试和测量工具（包括工作台和地板）接地。操作员还必须佩戴防静电手环进行接地。禁止徒手触摸半导体器件。对于装有半导体器件的印刷电路板，也必须采取类似的预防措施。

## 2 通电时的处理

产品在通电时的状态是不确定的。LSI 内部电路的状态是不确定的，寄存器设置和引脚在通电时的状态也是不确定的。在将复位信号应用于外部复位引脚的成品中，从开始通电直到复位过程完成，都不能保证引脚的状态。同样，对于通过片上通电复位功能复位的产品中的引脚状态，从开始通电直到功率达到规定的复位水平，也不能保证。

## 3 断电状态下的信号输入

当设备断电时，不要输入信号或 I/O 上拉电源。输入此类信号或 I/O 上拉电源而引起的电流注入可能导致故障，此时通过设备的异常电流可能导致内部元件降级。请按照产品文档中所述的断电状态下的输入信号指南进行操作。

## 4 未使用引脚的处理

根据手册中“未使用引脚的处理”下方给出的说明处理未使用的引脚。CMOS 产品的输入引脚通常处于高阻抗状态。在未使用的引脚处于开路状态下运行时，在 LSI 附近会产生额外的电磁噪声，相关的贯穿电流在内部流动，可能出现的输入信号导致对引脚状态的错误识别，从而造成故障。

## 5 时钟信号

应用复位后，只有在运行中的时钟信号稳定后才会释放复位线。在程序执行期间切换时钟信号时，等待直到目标时钟信号稳定。当在复位期间由外部谐振器或外部振荡器产生时钟信号时，确保仅在时钟信号充分稳定后释放复位线。另外，在程序执行过程中，当切换到由外部谐振器或外部振荡器产生的时钟信号时，等待直到目标时钟信号稳定。

## 6 输入引脚处的电压施加波形

输入噪声或反射波引起的波形失真可能会导致故障。如果 CMOS 设备的输入由于噪声而停留在  $V_{IL}$ （最大值）和  $V_{IH}$ （最小值）之间的区域，则该设备可能会发生故障。当输入电平固定以及当输入电平通过  $V_{IL}$ （最大值）和  $V_{IH}$ （最小值）之间的区域时，注意防止抖振噪声进入设备。

## 7 禁止访问保留地址

对保留地址的访问是被禁止的。提供保留地址以供将来可能的功能扩展使用。不要访问这些地址，否则无法保证 LSI 的正确运行。

## 8 产品之间的差异

从一种产品更换到另一种产品之前，例如更换为型号不同的产品，应确认更换不会导致问题。在同一组别但件号不同的微处理器或微控制器产品的特性可能在内部存储容量、布局模式和其他因素方面存在差异，这些差异可能会影响电气特性的范围，例如特性值、运行裕度、抗噪性和辐射噪声量。更换为件号不同的产品时，应对给定的产品进行系统评估测试。

- Ethernet 以及以太网为 Fuji Xerox Co., Ltd.的注册商标。
- IEEE 为 the Institute of Electrical and Electronics Engineers, Inc. 的注册商标。
- EtherCAT 是由德国 Beckhoff Automation GmbH 授权的注册商标和专利技术。
- PROFINET 是 PROFIBUS 和 PROFINET International (PI) 的注册商标。
- EtherNet / IP 是 ODVA, Inc.的商标。
- 此外，本资料中的产品及服务名称皆为其所有者的商标及注册商标。

## Notice

1. Descriptions of circuits, software and other related information in this document are provided only to illustrate the operation of semiconductor products and application examples. You are fully responsible for the incorporation or any other use of the circuits, software, and information in the design of your product or system. Renesas Electronics disclaims any and all liability for any losses and damages incurred by you or third parties arising from the use of these circuits, software, or information.
2. Renesas Electronics hereby expressly disclaims any warranties against and liability for infringement or any other claims involving patents, copyrights, or other intellectual property rights of third parties, by or arising from the use of Renesas Electronics products or technical information described in this document, including but not limited to, the product data, drawings, charts, programs, algorithms, and application examples.
3. No license, express, implied or otherwise, is granted hereby under any patents, copyrights or other intellectual property rights of Renesas Electronics or others.
4. You shall not alter, modify, copy, or reverse engineer any Renesas Electronics product, whether in whole or in part. Renesas Electronics disclaims any and all liability for any losses or damages incurred by you or third parties arising from such alteration, modification, copying or reverse engineering.
5. Renesas Electronics products are classified according to the following two quality grades: “Standard” and “High Quality”. The intended applications for each Renesas Electronics product depends on the product’s quality grade, as indicated below.

“Standard”: Computers; office equipment; communications equipment; test and measurement equipment; audio and visual equipment; home electronic appliances; machine tools; personal electronic equipment; industrial robots; etc.

“High Quality”: Transportation equipment (automobiles, trains, ships, etc.); traffic control (traffic lights); large-scale communication equipment; key financial terminal systems; safety control equipment; etc.

Unless expressly designated as a high reliability product or a product for harsh environments in a Renesas Electronics data sheet or other Renesas Electronics document, Renesas Electronics products are not intended or authorized for use in products or systems that may pose a direct threat to human life or bodily injury (artificial life support devices or systems; surgical implantations; etc.), or may cause serious property damage (space system; undersea repeaters; nuclear power control systems; aircraft control systems; key plant systems; military equipment; etc.). Renesas Electronics disclaims any and all liability for any damages or losses incurred by you or any third parties arising from the use of any Renesas Electronics product that is inconsistent with any Renesas Electronics data sheet, user’s manual or other Renesas Electronics document.

6. When using Renesas Electronics products, refer to the latest product information (data sheets, user’s manuals, application notes, “General Notes for Handling and Using Semiconductor Devices” in the reliability handbook, etc.), and ensure that usage conditions are within the ranges specified by Renesas Electronics with respect to maximum ratings, operating power supply voltage range, heat dissipation characteristics, installation, etc. Renesas Electronics disclaims any and all liability for any malfunctions, failure or accident arising out of the use of Renesas Electronics products outside of such specified ranges.
7. Although Renesas Electronics endeavors to improve the quality and reliability of Renesas Electronics products, semiconductor products have specific characteristics, such as the occurrence of failure at a certain rate and malfunctions under certain use conditions. Unless designated as a high reliability product or a product for harsh environments in a Renesas Electronics data sheet or other Renesas Electronics document, Renesas Electronics products are not subject to radiation resistance design. You are responsible for implementing safety measures to guard against the possibility of bodily injury, injury or damage caused by fire, and/or danger to the public in the event of a failure or malfunction of Renesas Electronics products, such as safety design for hardware and software, including but not limited to redundancy, fire control and malfunction prevention, appropriate treatment for aging degradation or any other appropriate measures. Because the evaluation of microcomputer software alone is very difficult and impractical, you are responsible for evaluating the safety of the final products or systems manufactured by you.
8. Please contact a Renesas Electronics sales office for details as to environmental matters such as the environmental compatibility of each Renesas Electronics product. You are responsible for carefully and sufficiently investigating applicable laws and regulations that regulate the inclusion or use of controlled substances, including without limitation, the EU RoHS Directive, and using Renesas Electronics products in compliance with all these applicable laws and regulations. Renesas Electronics disclaims any and all liability for damages or losses occurring as a result of your noncompliance with applicable laws and regulations.
9. Renesas Electronics products and technologies shall not be used for or incorporated into any products or systems whose manufacture, use, or sale is prohibited under any applicable domestic or foreign laws or regulations. You shall comply with any applicable export control laws and regulations promulgated and administered by the governments of any countries asserting jurisdiction over the parties or transactions.
10. It is the responsibility of the buyer or distributor of Renesas Electronics products, or any other party who distributes, disposes of, or otherwise sells or transfers the product to a third party, to notify such third party in advance of the contents and conditions set forth in this document.
11. This document shall not be reprinted, reproduced or duplicated in any form, in whole or in part, without prior written consent of Renesas Electronics.
12. Please contact a Renesas Electronics sales office if you have any questions regarding the information contained in this document or Renesas Electronics products.

(Note1) “Renesas Electronics” as used in this document means Renesas Electronics Corporation and also includes its directly or indirectly controlled subsidiaries.

(Note2) “Renesas Electronics product(s)” means any product developed or manufactured by or for Renesas Electronics.

以下“注意事项”为从英语原稿翻译的中文译文，仅作参考译文，英文版的“Notice”具有正式效力。

## 注意事项

1. 本文件中所记载的关于电路、软件和其他相关信息仅用于说明半导体产品的操作和应用实例。用户如在产品或系统设计中应用本文件中的电路、软件和相关信息或将此等内容用于其他目的时，请自行负责。对于用户或第三方因使用上述电路、软件或信息而遭受的任何损失和损害，瑞萨电子概不承担任何责任。
2. 瑞萨电子在此明确声明，对于因使用瑞萨电子产品或本文件中所述技术信息（包括但不限于产品数据、图、表、程序、算法、应用实例）而造成的与第三方专利、版权或其他知识产权相关的侵权或任何其他索赔，瑞萨电子不作任何保证并概不承担责任。
3. 本文件所记载的内容不应视为对瑞萨电子或其他人所有的专利、版权或其他知识产权作出任何明示、默示或其它方式的许可及授权。
4. 用户不得对瑞萨电子的任何产品进行全部或部分更改、修改、复制或反向工程。对于用户或第三方因上述更改、修改、复制或反向工程的行为而遭受的任何损失或损害，瑞萨电子不承担任何责任。
5. 瑞萨电子产品根据其质量等级分为两个等级：“标准等级”和“高质量等级”。每种瑞萨电子产品的预期用途均取决于产品的质量等级，如下所示：  
标准等级：计算机、办公设备、通讯设备、测试和测量设备、视听设备、家用电器、机械工具、个人电子设备、工业机器人等。  
高质量等级：运输设备（汽车、火车、轮船等）、交通控制系统（交通信号灯）、大型通讯设备、关键金融终端系统、安全控制设备等。  
除非是瑞萨电子数据表或其他瑞萨电子文档中明确指定为高可靠性产品或用于恶劣环境的产品，否则瑞萨电子产品不能用于、亦未授权用于可能对人类生命造成直接威胁的产品或系统及可能造成人身伤害的产品或系统（人工生命维持装置或系统、植埋于体内的装置等）中，或者可能造成重大财产损失的产品或系统（太空系统、海底增音机、核能控制系统、飞机控制系统、关键装置系统、军用设备等）中。对于用户或任何第三方因使用不符合瑞萨电子数据表、使用说明书或其他瑞萨电子文档的瑞萨电子产品而遭受的任何损害或损失，瑞萨电子不承担任何责任。
6. 使用瑞萨电子产品时，请参阅最新产品信息（数据表、使用说明书、应用指南、可靠性手册中的“半导体元件处理和使用一般注意事项”等），并确保使用条件在瑞萨电子指定的最大额定值、电源工作电压范围、散热特性、安装条件等范围内使用。对于在上述指定范围之外使用瑞萨电子产品而产生的任何故障、失效或事故，瑞萨电子不承担任何责任。



7. 虽然瑞萨电子一直致力于提高瑞萨电子产品的质量和可靠性，但是，半导体产品有其自身的具体特性，如一定的故障发生率以及在某些使用条件下会发生故障等。除非是瑞萨电子数据表或其他瑞萨电子文档中指定为高可靠性产品或用于恶劣环境的产品，否则瑞萨电子产品未进行防辐射设计。用户负责执行安全保护措施，以避免因瑞萨电子产品失效或发生故障而造成身体伤害、火灾导致伤害或损害和/或其他对公众构成危险事故。例如进行软硬件安全设计（包括但不限于冗余设计、防火控制以及故障预防等）、适当的老化处理或其他适当的措施等。由于对微机软件单独进行评估非常困难且不实际，所以请用户自行负责对最终产品或系统进行安全评估。
8. 关于环境保护方面的详细内容，例如每种瑞萨电子产品的环境兼容性等，请与瑞萨电子的营业部门联系。用户负责仔细并充分查阅对管制物质的使用或含量进行管理的所有适用法律法规（包括但不限于《欧盟 RoHS 指令》），并在使用瑞萨电子产品时遵守所有适用法律法规。对于因用户未遵守相应法律法规而导致的损害或损失，瑞萨电子概不承担任何责任。
9. 不可将瑞萨电子产品和技术用于或者嵌入日本国内或海外相应的法律法规所禁止生产、使用及销售的任何产品或系统中。也不可将瑞萨电子产品或技术用于(1)与大规模杀伤性武器（例如核武器、化学武器、生物武器或运送此等武器的导弹，包括无人机(UAV)）的开发、设计、制造、使用、存储等相关的任何目的；(2)与常规武器的开发、设计、制造或使用相关的任何目的；(3)扰乱国际和平与安全的任何其他目的，并且不可向任何第三方销售、出口、租赁、转让、或让与瑞萨电子产品或技术，无论直接或间接知悉或者有理由知悉该第三方或任何其他方将从事上述活动。用户必须遵守对各方或交易行使司法管辖权的任意国家/地区政府所公布和管理的任何适用出口管制法律法规。
10. 瑞萨电子产品的买方或分销商，或者分销、处置产品、或以其他方式向第三方出售或转让产品的任何其他方有责任事先向所述第三方通知本文档规定的内容和条件。
11. 在事先未得到瑞萨电子书面认可的情况下，不得以任何形式部分或全部再版、转载或复制本文档。
12. 如果对本文档所记载的信息或瑞萨电子产品有任何疑问，请向瑞萨电子的营业部门咨询。

（注 1） 瑞萨电子：在本文档中指瑞萨电子株式会社及其控股子公司。

（注 2） 瑞萨电子产品：指瑞萨电子开发或生产的任何产品。

（版本 4.0-1 2017 年 11 月）

## 公司总部

TOYOSU FORESIA, 3-2-24 Toyosu,  
Koto-ku, Tokyo 135-0061, Japan

[www.renesas.com](http://www.renesas.com)

## 商标

Renesas 和 Renesas 徽标是瑞萨电子公司的商标。所有商标和注册商标均为其各自所有者的财产。

## 联系信息

有关产品、技术、文件最新版本或最近的销售办事处的详细信息，请访问：[www.renesas.com/contact/](http://www.renesas.com/contact/)。