

To our customers,

Old Company Name in Catalogs and Other Documents

On April 1st, 2010, NEC Electronics Corporation merged with Renesas Technology Corporation, and Renesas Electronics Corporation took over all the business of both companies. Therefore, although the old company name remains in this document, it is a valid Renesas Electronics document. We appreciate your understanding.

Renesas Electronics website: <http://www.renesas.com>

April 1st, 2010
Renesas Electronics Corporation

Issued by: Renesas Electronics Corporation (<http://www.renesas.com>)

Send any inquiries to <http://www.renesas.com/inquiry>.

Notice

1. All information included in this document is current as of the date this document is issued. Such information, however, is subject to change without any prior notice. Before purchasing or using any Renesas Electronics products listed herein, please confirm the latest product information with a Renesas Electronics sales office. Also, please pay regular and careful attention to additional and different information to be disclosed by Renesas Electronics such as that disclosed through our website.
2. Renesas Electronics does not assume any liability for infringement of patents, copyrights, or other intellectual property rights of third parties by or arising from the use of Renesas Electronics products or technical information described in this document. No license, express, implied or otherwise, is granted hereby under any patents, copyrights or other intellectual property rights of Renesas Electronics or others.
3. You should not alter, modify, copy, or otherwise misappropriate any Renesas Electronics product, whether in whole or in part.
4. Descriptions of circuits, software and other related information in this document are provided only to illustrate the operation of semiconductor products and application examples. You are fully responsible for the incorporation of these circuits, software, and information in the design of your equipment. Renesas Electronics assumes no responsibility for any losses incurred by you or third parties arising from the use of these circuits, software, or information.
5. When exporting the products or technology described in this document, you should comply with the applicable export control laws and regulations and follow the procedures required by such laws and regulations. You should not use Renesas Electronics products or the technology described in this document for any purpose relating to military applications or use by the military, including but not limited to the development of weapons of mass destruction. Renesas Electronics products and technology may not be used for or incorporated into any products or systems whose manufacture, use, or sale is prohibited under any applicable domestic or foreign laws or regulations.
6. Renesas Electronics has used reasonable care in preparing the information included in this document, but Renesas Electronics does not warrant that such information is error free. Renesas Electronics assumes no liability whatsoever for any damages incurred by you resulting from errors in or omissions from the information included herein.
7. Renesas Electronics products are classified according to the following three quality grades: “Standard”, “High Quality”, and “Specific”. The recommended applications for each Renesas Electronics product depends on the product’s quality grade, as indicated below. You must check the quality grade of each Renesas Electronics product before using it in a particular application. You may not use any Renesas Electronics product for any application categorized as “Specific” without the prior written consent of Renesas Electronics. Further, you may not use any Renesas Electronics product for any application for which it is not intended without the prior written consent of Renesas Electronics. Renesas Electronics shall not be in any way liable for any damages or losses incurred by you or third parties arising from the use of any Renesas Electronics product for an application categorized as “Specific” or for which the product is not intended where you have failed to obtain the prior written consent of Renesas Electronics. The quality grade of each Renesas Electronics product is “Standard” unless otherwise expressly specified in a Renesas Electronics data sheets or data books, etc.
 - “Standard”: Computers; office equipment; communications equipment; test and measurement equipment; audio and visual equipment; home electronic appliances; machine tools; personal electronic equipment; and industrial robots.
 - “High Quality”: Transportation equipment (automobiles, trains, ships, etc.); traffic control systems; anti-disaster systems; anti-crime systems; safety equipment; and medical equipment not specifically designed for life support.
 - “Specific”: Aircraft; aerospace equipment; submersible repeaters; nuclear reactor control systems; medical equipment or systems for life support (e.g. artificial life support devices or systems), surgical implantations, or healthcare intervention (e.g. excision, etc.), and any other applications or purposes that pose a direct threat to human life.
8. You should use the Renesas Electronics products described in this document within the range specified by Renesas Electronics, especially with respect to the maximum rating, operating supply voltage range, movement power voltage range, heat radiation characteristics, installation and other product characteristics. Renesas Electronics shall have no liability for malfunctions or damages arising out of the use of Renesas Electronics products beyond such specified ranges.
9. Although Renesas Electronics endeavors to improve the quality and reliability of its products, semiconductor products have specific characteristics such as the occurrence of failure at a certain rate and malfunctions under certain use conditions. Further, Renesas Electronics products are not subject to radiation resistance design. Please be sure to implement safety measures to guard them against the possibility of physical injury, and injury or damage caused by fire in the event of the failure of a Renesas Electronics product, such as safety design for hardware and software including but not limited to redundancy, fire control and malfunction prevention, appropriate treatment for aging degradation or any other appropriate measures. Because the evaluation of microcomputer software alone is very difficult, please evaluate the safety of the final products or system manufactured by you.
10. Please contact a Renesas Electronics sales office for details as to environmental matters such as the environmental compatibility of each Renesas Electronics product. Please use Renesas Electronics products in compliance with all applicable laws and regulations that regulate the inclusion or use of controlled substances, including without limitation, the EU RoHS Directive. Renesas Electronics assumes no liability for damages or losses occurring as a result of your noncompliance with applicable laws and regulations.
11. This document may not be reproduced or duplicated, in any form, in whole or in part, without prior written consent of Renesas Electronics.
12. Please contact a Renesas Electronics sales office if you have any questions regarding the information contained in this document or Renesas Electronics products, or if you have any other inquiries.

(Note 1) “Renesas Electronics” as used in this document means Renesas Electronics Corporation and also includes its majority-owned subsidiaries.

(Note 2) “Renesas Electronics product(s)” means any product developed or manufactured by or for Renesas Electronics.

SH7137 Group

Using the DTC in the Asynchronous-Mode Transfer of Serial Data by the SCI

Introduction

This application note describes the transfer of serial data in asynchronous mode by the serial communications interface (SCI) with the aid of the data-transfer controller (DTC). This application note is a summary for quick reference of information required in the design of user software.

Target Device

SH7137

Contents

1. Preface.....	2
2. Description of the Sample Application	3
3. Documents for Reference.....	20

1. Preface

1.1 Specifications

In this sample task, serial transfer is conducted with the data-transfer controller (DTC) used to transfer data between the serial communications interface (SCI) and on-chip RAM.

Figure 1 shows an example of connection for transmission and reception by the SCI in asynchronous mode.

- SCI_1 is used.
- The communications format is 8 bits of data, 1 stop bit, and no parity bit.
- In transmission, the DTC is activated to transfer character string data from on-chip RAM to the transmit data register (SCTDR) by transmit-data-empty interrupts. In reception, the DTC is activated to transfer received data to on-chip RAM by receive-data-full interrupts.
- Once 32 bits of data have been transmitted and received, operations are halted.

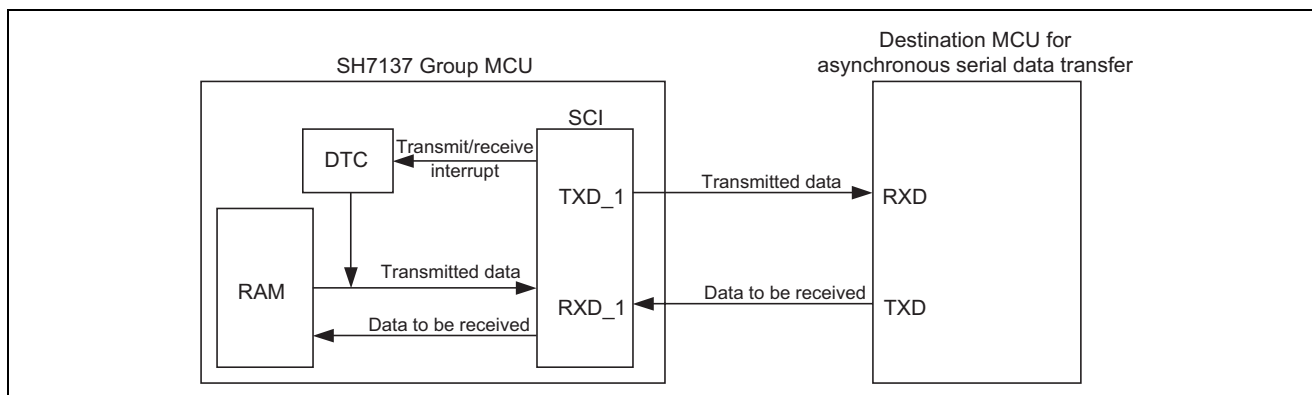


Figure 1 Example of Connection for Using the DTC in Transmission and Reception of Serial Data in Asynchronous Mode

1.2 Modules Used

- Data transfer controller (DTC)
- Serial communications interface (SCI_1)

1.3 Applicable Conditions

MCU	SH7137	
Operating frequency	Internal clock	80 MHz
	Bus clock	40 MHz
	Peripheral clock	40 MHz
C compiler	SuperH RISC Engine Family C/C++ Compiler Package Ver.9.11 from Renesas Technology	

2. Description of the Sample Application

The transmit-data-empty interrupt (TXI) and receive-data-full interrupt (RXI) from the SCI are used as DTC-activating interrupt sources in the sample program. Normal transfer mode is employed for asynchronous data transfer.

2.1 Operational Overview of Modules Used

2.1.1 Serial Communications Interface (SCI)

In asynchronous mode, each transmitted or received character begins with a start bit and ends with a stop bit. Serial communications is synchronized one character at a time. The transmitting and receiving sections of the SCI are independent, so full duplex communication is possible. Both the transmitter and receiver have a double-buffered structure so that data can be read or written during transmission or reception, enabling continuous data transfer.

In asynchronous serial communications, the communication line is normally held in the mark (high) state. The SCI monitors the line and starts serial communications when the line goes to the space (low) state, indicating a start bit.

One serial character consists of a start bit (low), data (LSB first), parity bit (high or low), and stop bit (high), in that order.

For details on the SCI, see the section on serial communications interface in the *SH7137 Group Hardware Manual*.

Table 1 gives an overview of communications in asynchronous mode and figure 2 shows a block diagram of the SCI.

Table 1 Overview of Serial Data Communications in Asynchronous Mode

Item	Description
Number of interfaces	3 (SCI_0, SCI_1, SCI_2)
Clock sources	For internal clock: P ϕ , P ϕ /4, P ϕ /16, P ϕ /64 P ϕ : peripheral clock For external clock: input clock on pin SCK
Data format	Data length: 7 or 8 bits Order: LSB first or MSB first
Baud rate	For internal clock: 110 bps to 1.25 Mbps (P ϕ = 40 MHz) For external clock: up to 625,000 bps (P ϕ = 40 MHz, external input clock of 10.0000 MHz)
Error detection	Framing, parity, and overrun errors Break can also be detected.
Interrupt request	Transmit-data-empty interrupt (TXI) Receive-data-full interrupt (RXI) Receive error interrupt (ERI) Transmit end interrupt (TEI)
Clock sources	Internal or external clock <ul style="list-style-type: none"> • Internal clock When the internal clock has been selected, the clock from the baud-rate generator is used to operate the SCI and a clock signal at 16 times the frequency of the bit rate can be output. • External clock When the external clock has been selected, input of a clock signal at 16 times the frequency of the bit rate is required (internal baud rate generator is not used).

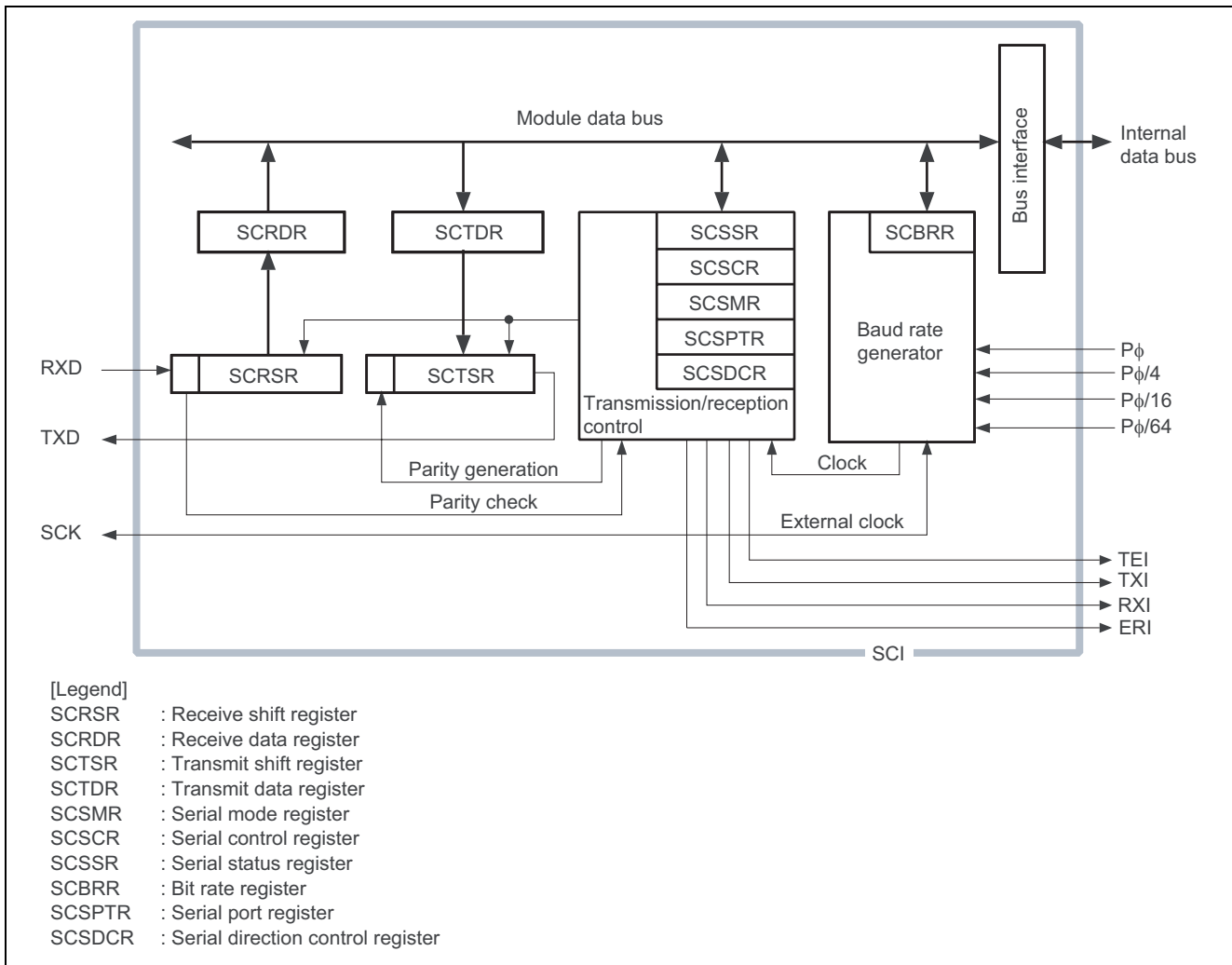


Figure 2 Block Diagram of the SCI

2.1.2 Data-Transfer Controller (DTC)

There are three transfer modes: normal, repeat, and block transfer modes. Since transfer information is in the data area, it is possible to transfer data over any required number of channels. When activated, the DTC reads transfer information stored in the data area and transfers data according to the transfer information. After the data transfer is complete, it writes updated transfer information back to the data area.

The transfer information is located in the data area. For details on the DTC, see the section on data-transfer controller in the *SH7137 Group Hardware Manual*.

Table 2 gives an overview of the DTC and figure 3 shows a block diagram of the DTC.

Table 2 Overview of DTC

Item	Description
Transfer modes	Normal/repeat/block transfer modes are selectable
Number of unit transfers	Normal transfer mode: 1 to 65,536 Repeat transfer mode: 1 to 256 Block transfer mode: 1 to 65,536
Data size	Size of data for data transfer can be specified as byte, word, or longword
CPU interrupt request	A CPU interrupt can be requested after one data transfer completion A CPU interrupt can be requested after the specified data transfer completion
Activation sources	External pins, MTU2, MTU2S, CMT, A/D, SCI, SSU, IIC3, RCAN-ET
Others	Chained transfer (multiple rounds of data transfer performed in response to a single activation source) is available Read skip of transfer information can be specified Module stop mode is specifiable Short address mode is specifiable Bus release timing is selectable from five types Priority of the DTC activation can be selected from two types

Note: An external memory, a memory-mapped external device, an on-chip memory, or an on-chip peripheral module can be selected as the source or destination. Note that at least either the source or destination must be an on-chip peripheral module; transfer cannot be done among an external memory, a memory-mapped external device, and an on-chip memory.

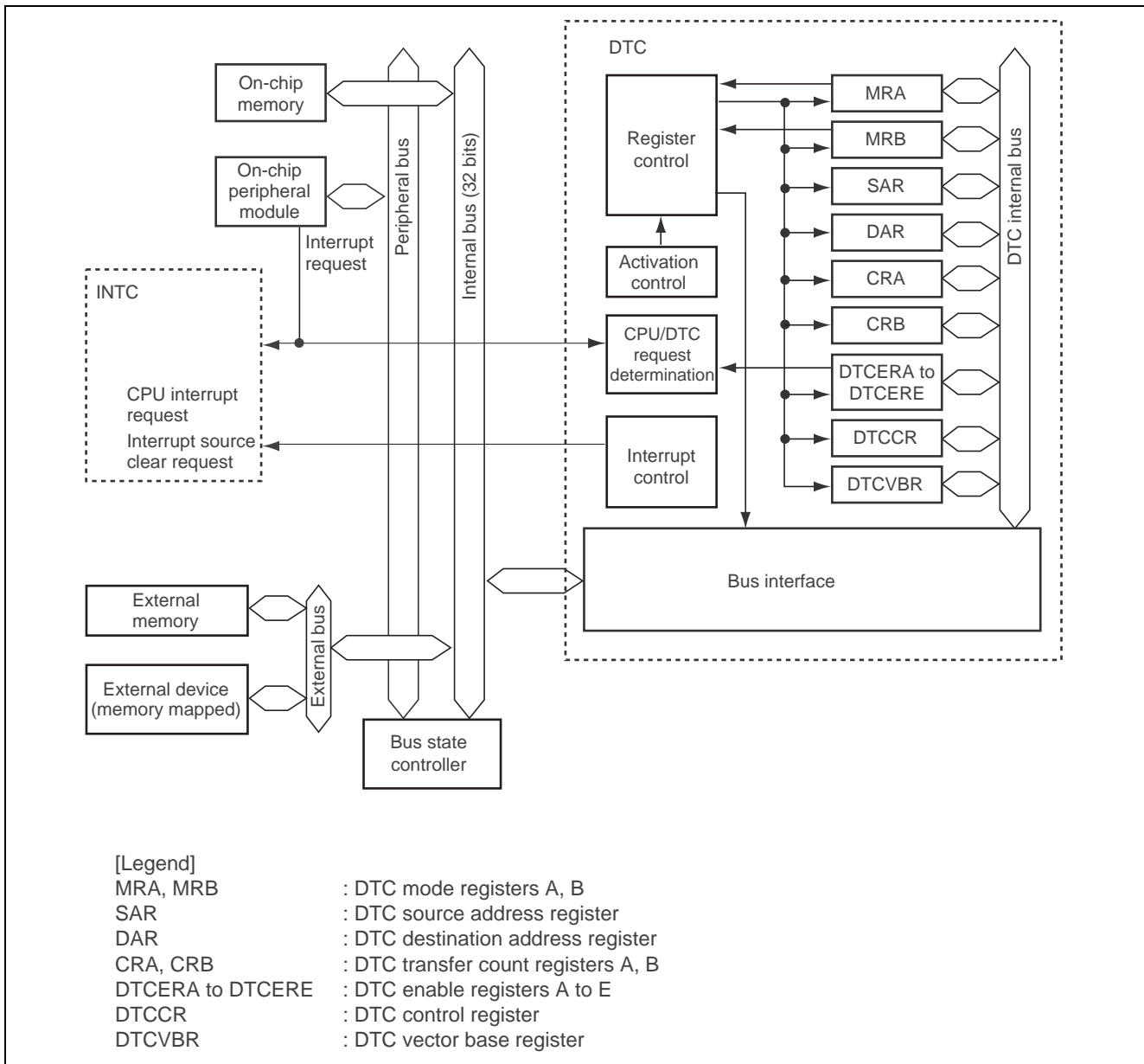


Figure 3 Block Diagram of the DTC

(a) Configuration of transfer information

Figure 4 shows how transfer information for the DTC is configured in the data area. Figure 5 shows the correspondence between the DTC vector table and transfer information.

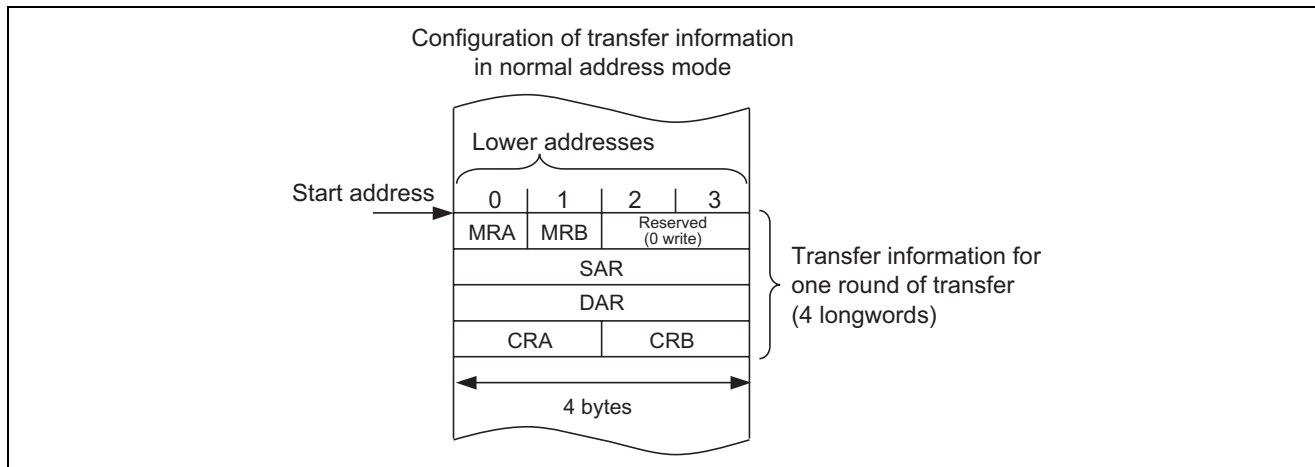


Figure 4 Transfer Information in Data Area

(b) Procedure for setting the address of the vector table for the DTC

1. The vector base address is set in the DTC vector base address register (DTCVBR) to allocate the DTC vector table in RAM.
2. Destination addresses indicated by DTC vector table address offsets are the addresses where sets of transfer information start.

For details on the vector table address offsets, see “Location of Transfer Information and DTC Vector Table” of the section on the data transfer controller in the *SH7137 Group Hardware Manual*.

The DTC reads the start address of transfer information from the vector table according to the activation source, and then reads the transfer information with this as the first address.

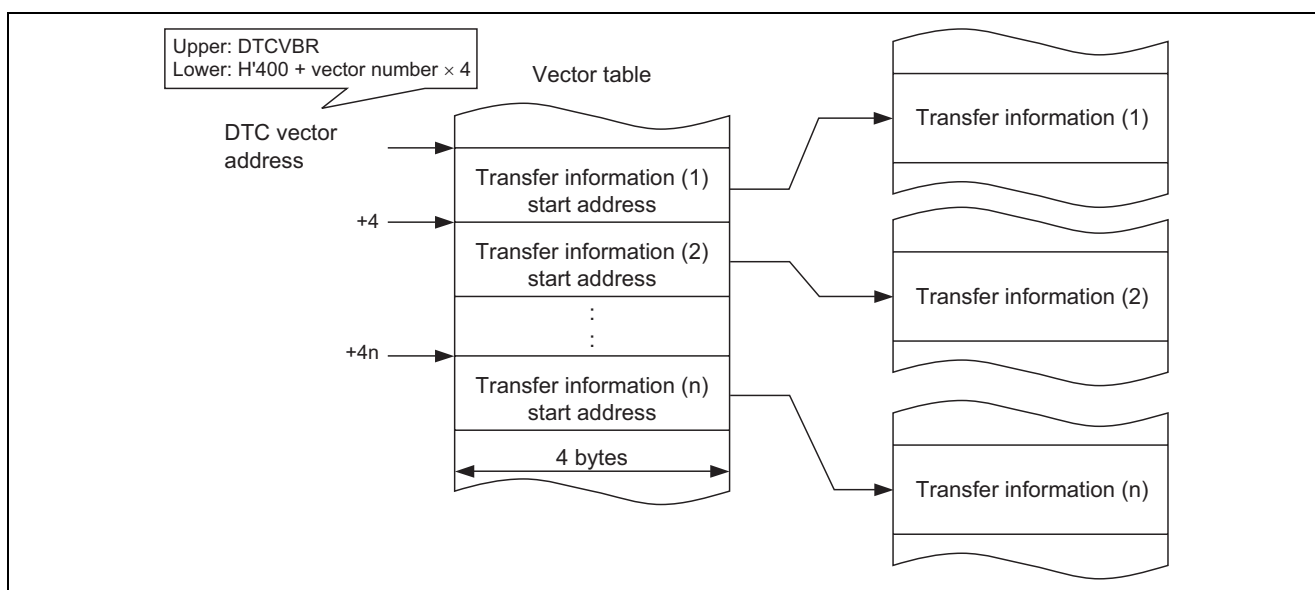


Figure 5 Correspondence between DTC Vector Addresses and Transfer Information

2.1.3 Operation of the Sample Program

Tables 3 and 4 give a list of DTC transfer conditions and an outline of settings for the communications function, respectively. Figures 6 and 7 are images of the allocation of transfer information in memory and the timing of operations, respectively.

Table 3 DTC Transfer Conditions

Item	Settings for SCI Transmission (TXI_1)	Settings for SCI Reception (RXI_1)
Transfer mode	Normal mode	Normal mode
Number of unit transfers	32	32
Transfer size	Byte transfer	Byte transfer
Transfer source	Internal RAM	Receive data register (SCRDR_1)
Transfer destination	Transmit data register (SCTDR_1)	Internal RAM
Transfer source address	The transfer source address is incremented after transfer.	Fixed transfer source
Transfer destination address	Fixed transfer destination	The transfer destination address is incremented after transfer.
Activation source	SCI transmit-data-empty interrupt	SCI receive-data-full interrupt
Interrupt processing	After completion of the specified data transfer, interrupts are enabled for the CPU.	After completion of the specified data transfer, interrupts are enabled for the CPU.

Table 4 Settings for Communications Function in the Sample Program

Module	SCI_1
Communications mode	Asynchronous mode
Interrupts	Transmit-data-empty interrupt (TXI) Receive-data-full interrupt (RXI) Receive error interrupt (ERI)
Transfer rate	19,200 bps (P _φ = 40 MHz)
Data length	8-bit data
Stop bit	1 stop bit
Parity	None
Bit order	LSB-first

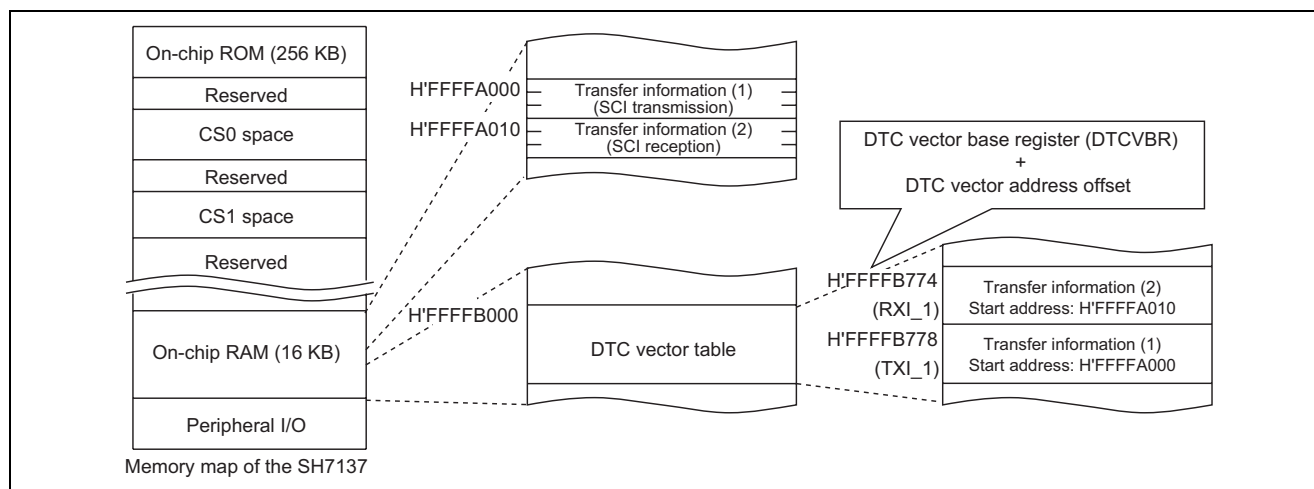


Figure 6 Image of Arrangement of Transfer Information in Memory

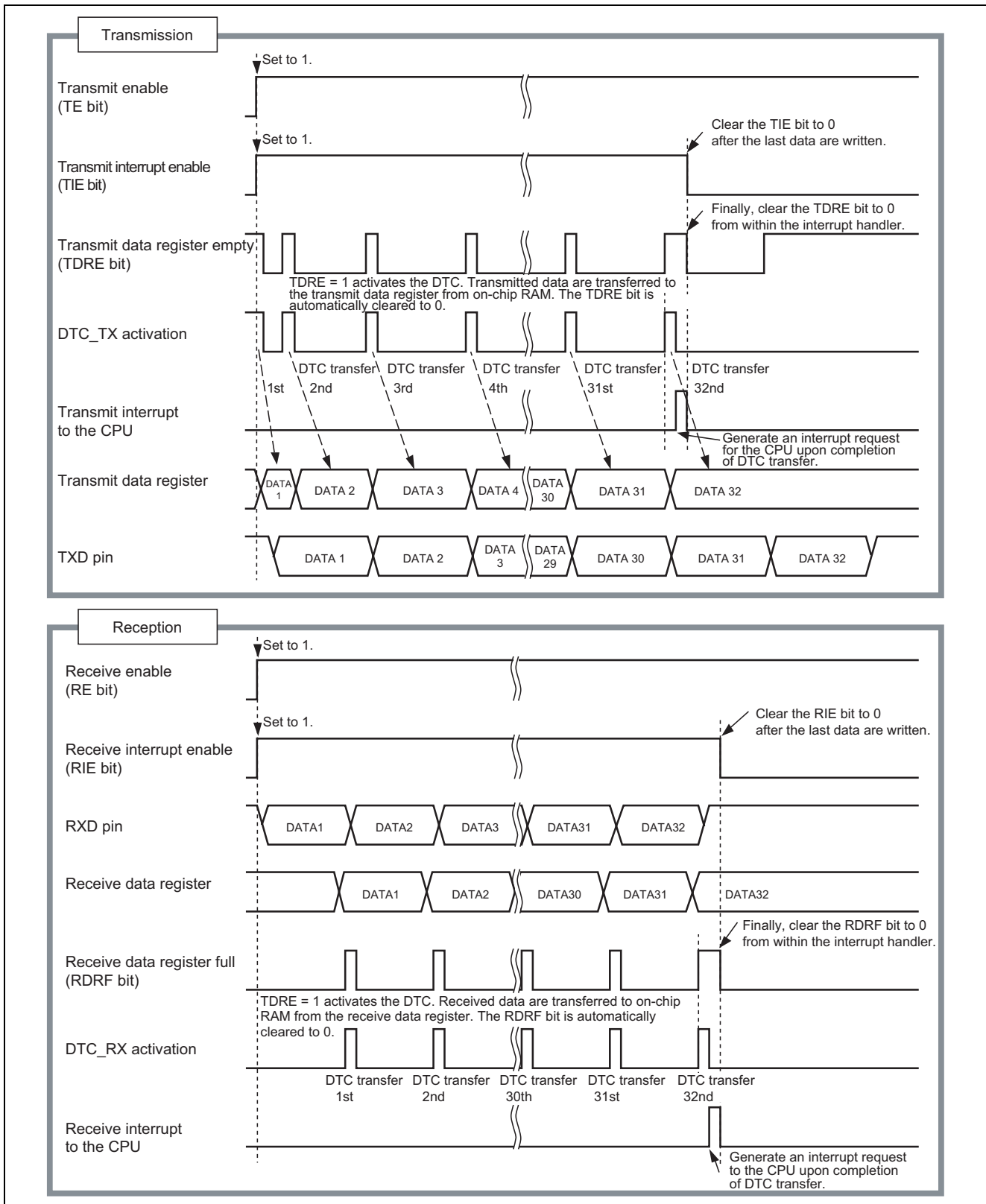


Figure 7 Principles of Operation

2.2 Procedure for Setting Modules Used

This section describes the procedure for setting up SCI_1 for asynchronous mode operations using the DTC.

Figure 8 shows the flow of processing by the sample program, figure 9 shows the flow of settings for release from module-standby mode, figure 10 shows the flow for setting up the pin function controller, figure 11 shows flow 1 of DTC initialization, figure 12 shows flow 2 of DTC initialization, and figure 13 shows the flow for initialization of data transmission and reception in asynchronous mode. Furthermore, figure 14 shows the flow for handling transmit interrupts in asynchronous mode, figure 15 shows the flow for handling receive interrupts in asynchronous mode, and figure 16 shows the flow for handling receive error interrupts. For details on the settings of individual registers, see the *SH7137 Group Hardware Manual*.

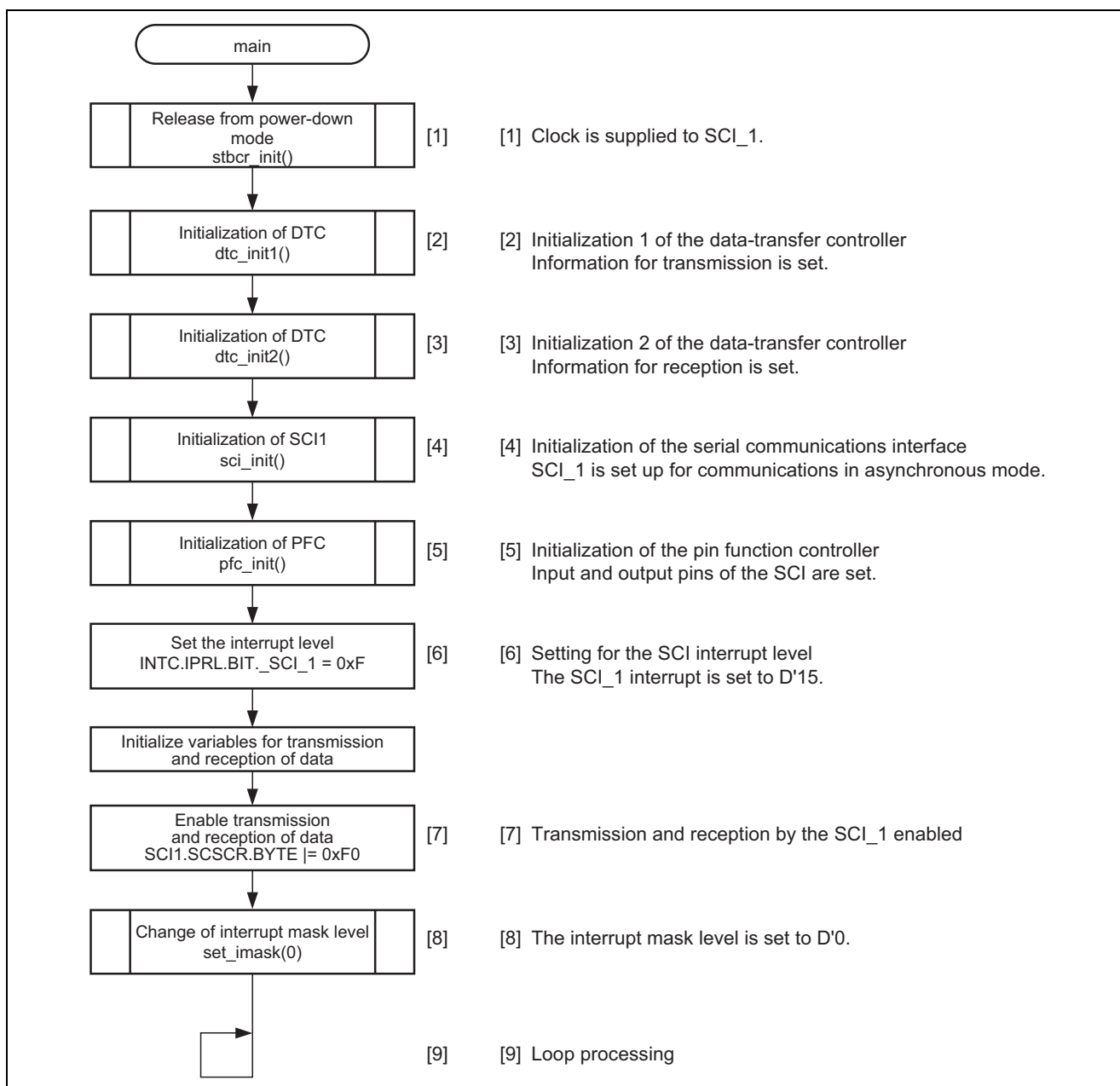


Figure 8 Flow of Processing by the Sample Program

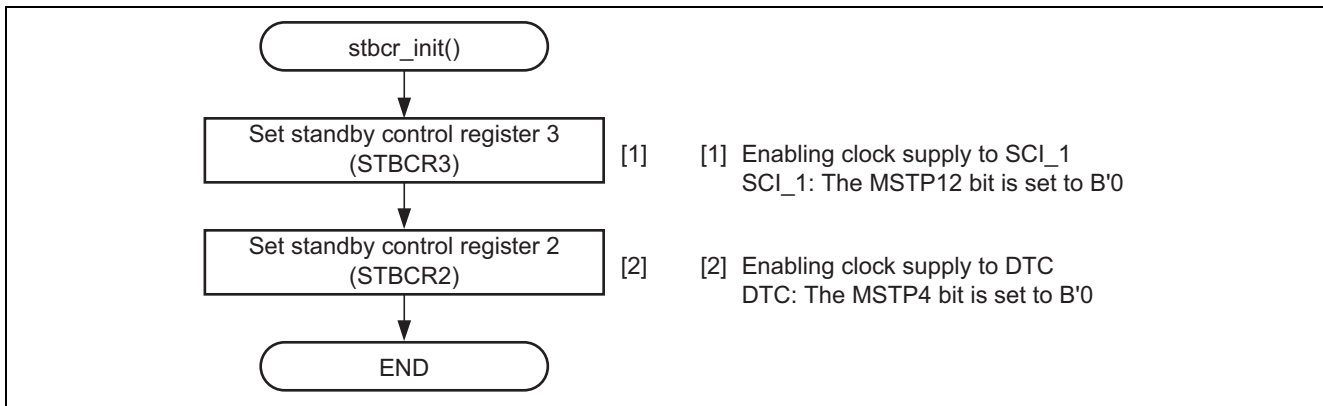


Figure 9 Flow of Setting for Release from Module-Standby Mode

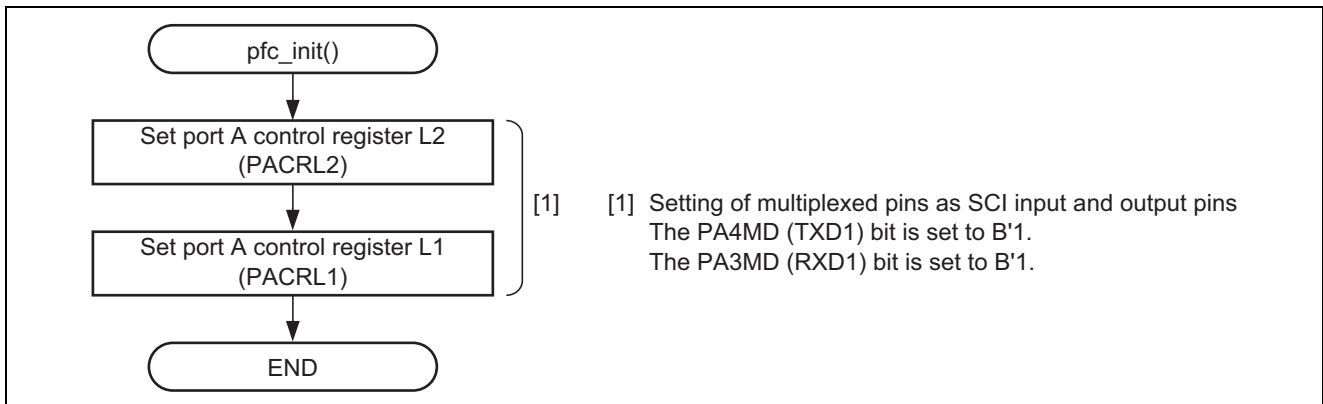


Figure 10 Flow for Setting up the Pin Function Controller

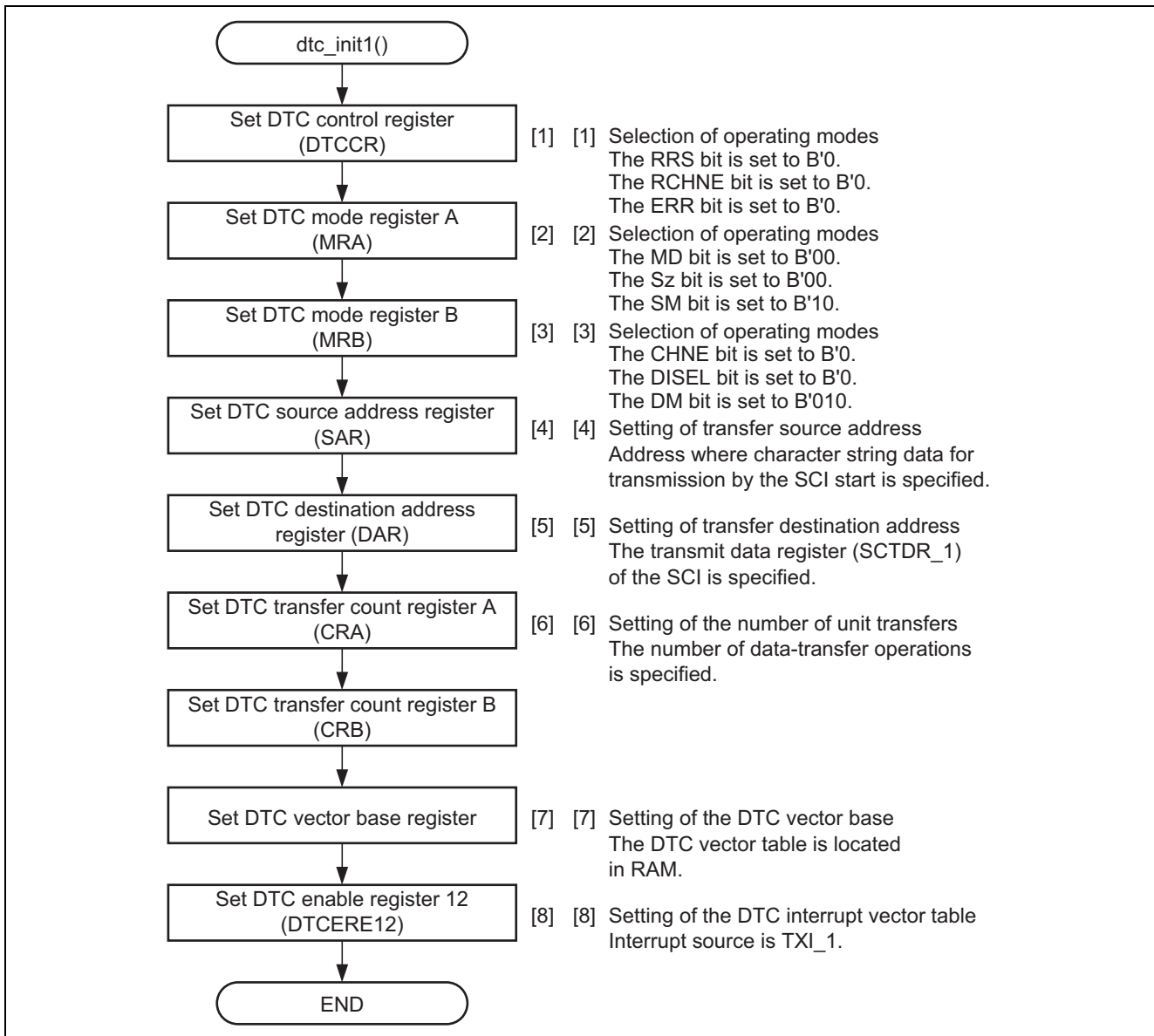


Figure 11 Flow 1 of DTC Initialization

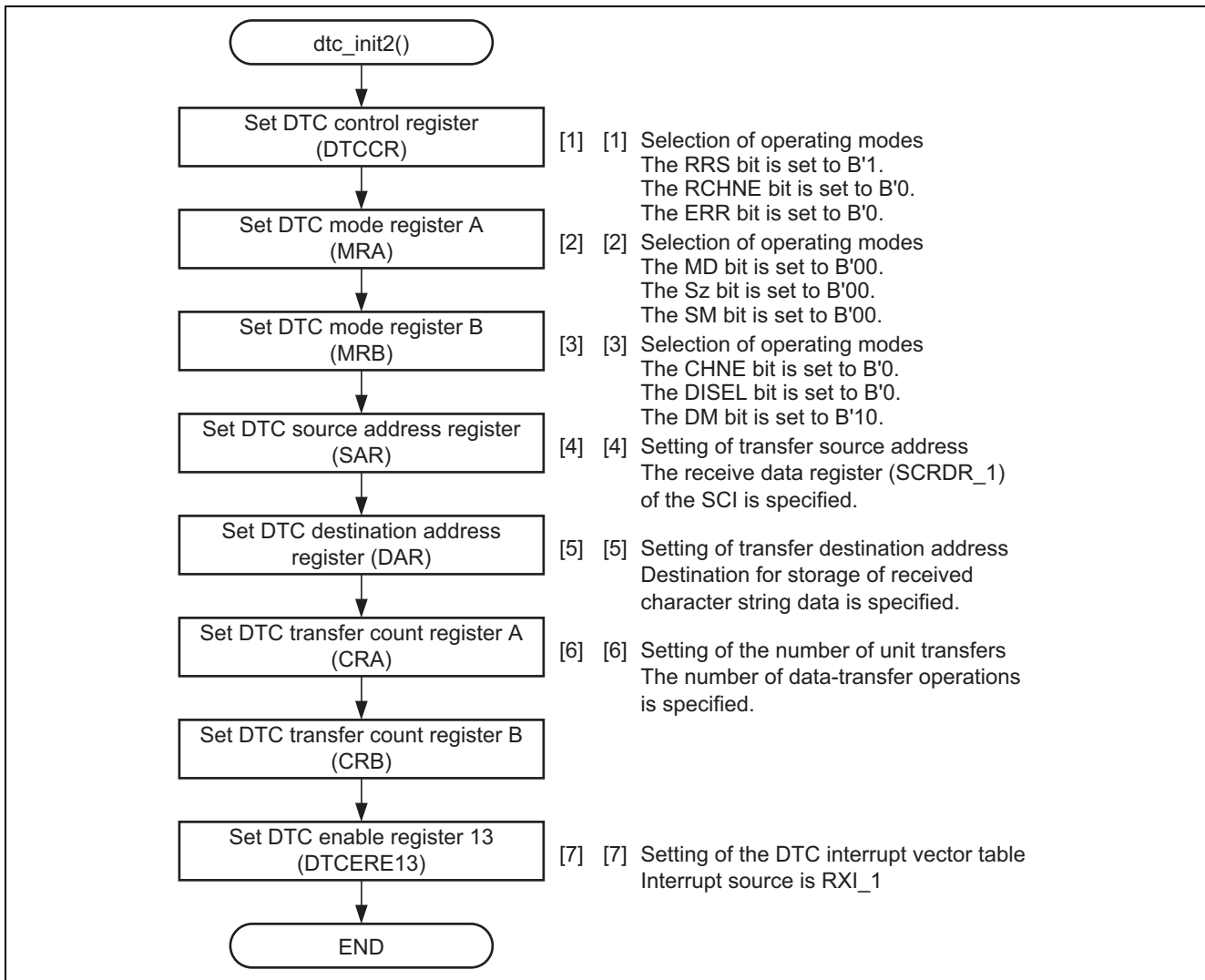


Figure 12 Flow 2 of DTC Initialization

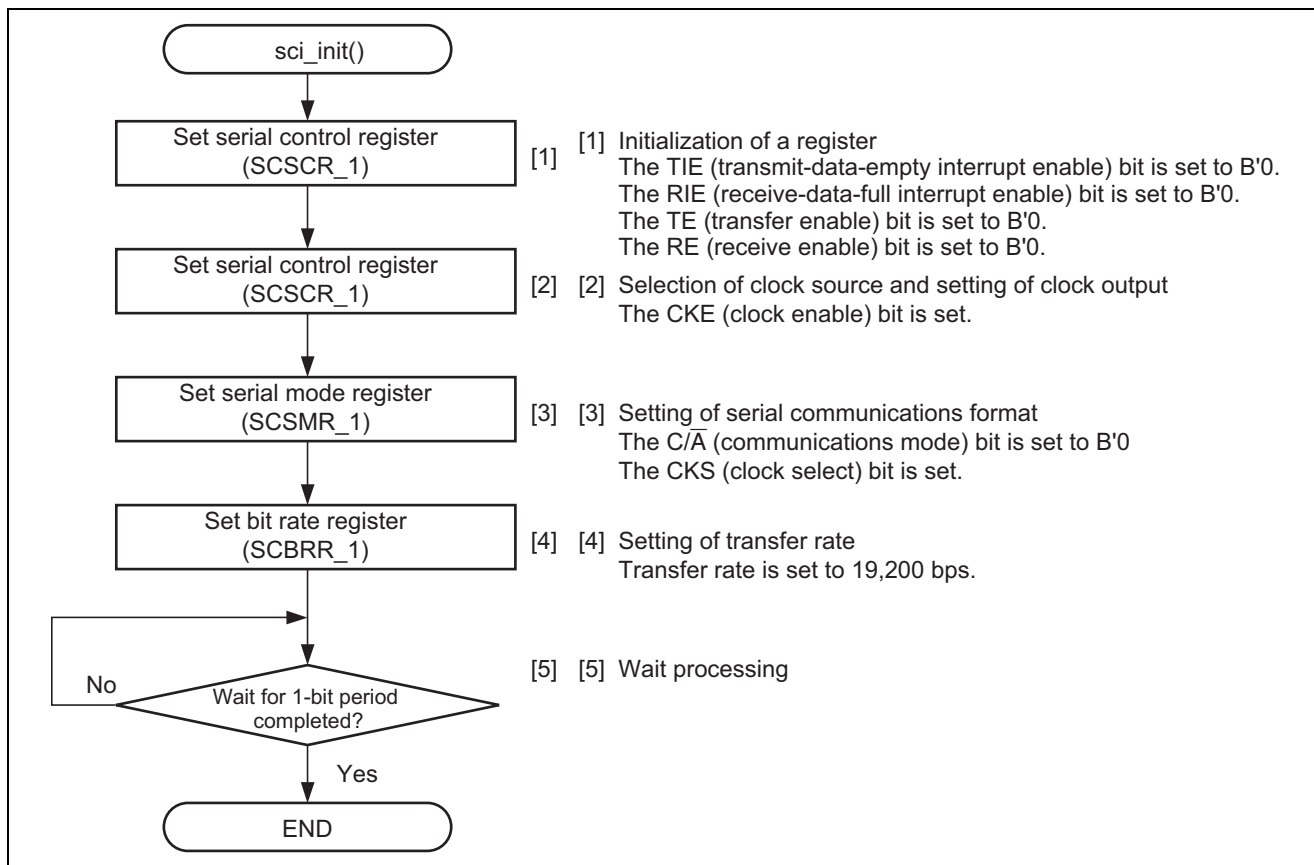


Figure 13 Flow for Initialization of Data Transmission and Reception in Asynchronous Mode

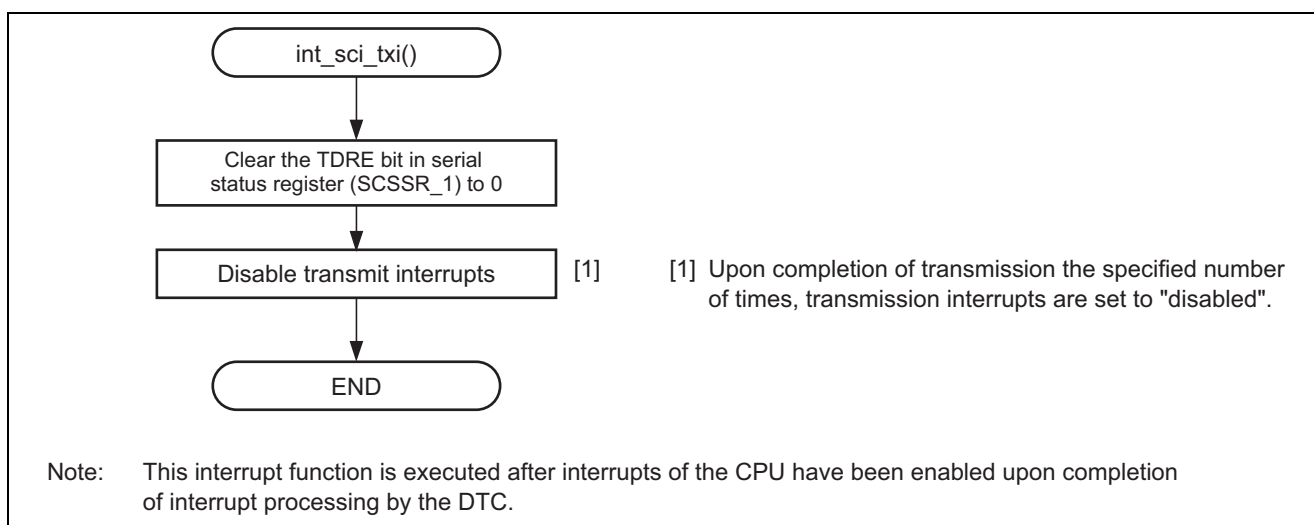


Figure 14 Flow for Handling Transmit Interrupts in Asynchronous Mode

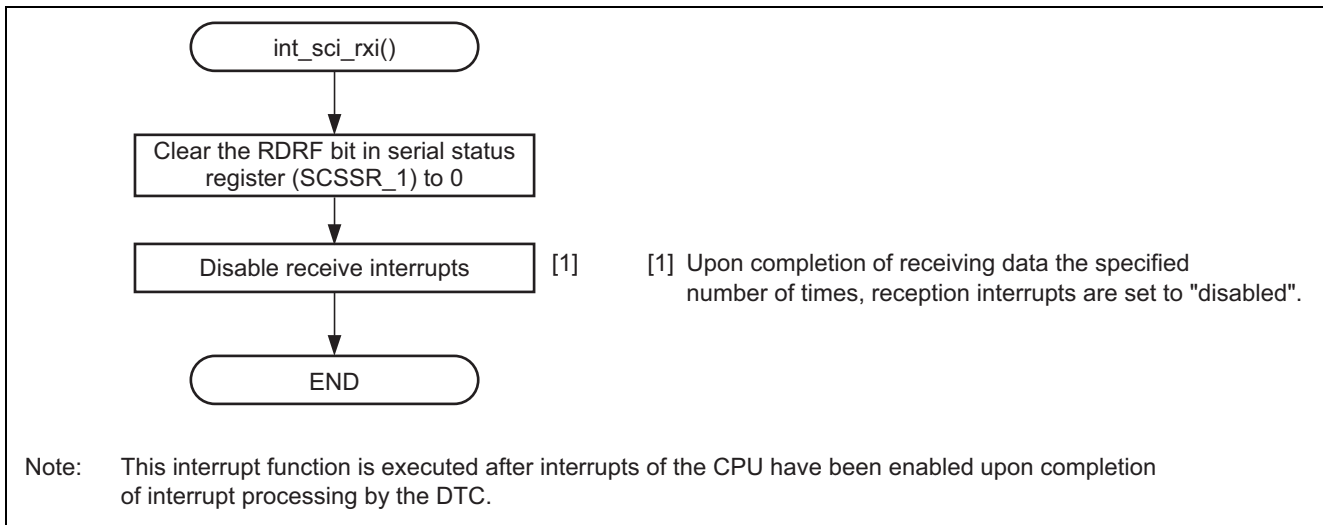


Figure 15 Flow for Handling Receive Interrupts in Asynchronous Mode

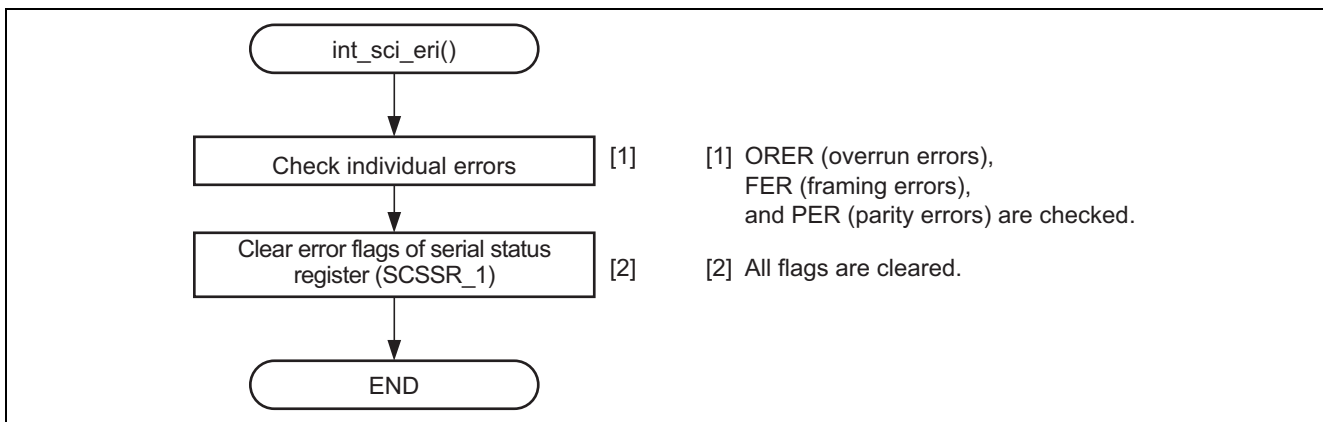


Figure 16 Flow for Handling Receive Error Interrupts

2.3 Processing Sequence of the Sample Program

2.3.1 Clock Pulse Generator (CPG)

Table 5 gives settings for the register of the clock pulse generator in the sample program.

Table 5 Settings for Register in Clock Pulse Generator

Register Name	Address	Setting	Description
Frequency control register (FRQCR)	H'FFFF E800	H'0241	IFC [2:0] = B'000: $\times 1$ ($I\phi$) BFC [2:0] = B'001: $\times 1/2$ ($B\phi$) PFC [2:0] = B'001: $\times 1/2$ ($P\phi$) MIFC [2:0] = B'000: $\times 1$ ($MI\phi$) MPFC [2:0] = B'001: $\times 1/2$ ($MP\phi$)

2.3.2 Standby Control Register

Table 6 gives settings for the standby control register in the sample program.

Table 6 Settings for Standby Control Register

Register Name	Address	Setting	Description
Standby control register 2 (STBCR2)	H'FFFF E804	H'28	MSTP4 = B'0: DTC operates
Standby control register 3 (STBCR3)	H'FFFF E806	H'EF	MSTP12 = B'0: SCI_1 operates

2.3.3 Interrupt Controller (INTC)

Table 7 gives settings for the interrupt control register in the sample program.

Table 7 Settings for Interrupt Control Register

Register Name	Address	Setting	Description
Interrupt priority register L (IPRL)	H'FFFF E992	H'0F00	IPR [11:8] = B'1111: SCI_1 is at a level 15

2.3.4 Pin Function Controller (PFC)

Table 8 gives settings for the registers of the pin function controller in the sample program.

Table 8 Settings for Pin Function Control Register

Register Name	Address	Setting	Description
Port A control register L2 (PACRL2)	H'FFFF D114	H'0001	PA4MD [2:0] = B'001: TXD1 output
Port A control register L1 (PACRL1)	H'FFFF D116	H'1000	PA3MD [2:0] = B'001: RXD1 input

2.3.5 Data-Transfer Controller

Table 9 gives settings for the registers of the DTC in the sample program.

Table 9 Settings for Data Transfer Controller

Register Name	Address	Setting	Description
DTC control register (DTCCR)	H'FFFF CC90	H'10	RRS = B'0: Read skip is not performed RCHNE = B'0: Disables the chain transfer ERR = B'0: No interrupt occurs
DTC vector base register (DTCVBR)	H'FFFF CC94	H'FFFF B000	Setting for the DTC vector base address

- SCI_1 transfer: Setting transfer information (MRA, MRB, SAR, DAR, CRA, and CRB)

Register Name	Address	Setting	Description
DTC mode register A (MRA)	H'FFFF A000	H'08	MD [1:0] = B'00: Normal mode Sz [1:0] = B'00: Byte-size transfer SM [1:0] = B'10: SAR is incremented
DTC mode register B (MRB)	H'FFFF A001	H'00	CHNE = B'0: Disables the chain transfer CHNS = B'0: Chain transfer every time DISEL = B'0: Generates CPU interrupt request DTS = B'0: Specifies the destination as repeat or block area DM [1:0] = B'00: DAR is fixed
DTC source address register (SAR)	H'FFFF A004	—	Specifies transfer source address Buffer for transmission (&tx_data[0])
DTC destination address register (DAR)	H'FFFF A008	SCTDR_1	Specifies transfer destination address Transfer data register (SCTDR)
DTC transfer count register A (CRA)	H'FFFF A00C	H'20	Specifies the number of times for transfer 32
DTC enable register E (DTCERE)	H'FFFF CC88	H'1000	Selects interrupt source to activate the DTC TXI_1

- SCI_1 reception: Setting transfer information (MRA, MRB, SAR, DAR, CRA, and CRB)

Register Name	Address	Setting	Description
DTC mode register A (MRA)	H'FFFF A010	H'00	MD [1:0] = B'00: Normal mode Sz [1:0] = B'00: Byte-size transfer SM [1:0] = B'00: SAR is fixed
DTC mode register B (MRB)	H'FFFF A011	H'80	CHNE = B'0: Disables the chain transfer CHNS = B'0: Chain transfer every time DISEL = B'0: Generates CPU interrupt request DTS = B'0: Specifies the destination as repeat or block area DM [1:0] = B'10: Increments DAR
DTC source address register (SAR)	H'FFFF A014	SCRDR_1	Specifies transfer source address Receive data register (SCRDR)
DTC destination address register (DAR)	H'FFFF A018	—	Specifies transfer destination address Buffer for reception (&rx_data[0])
DTC transfer count register A (CRA)	H'FFFF A01C	H'20	Specifies the number of times for transfer 32
DTC enable register E (DTCERE)	H'FFFF CC88	H'2000	Selects interrupt source to activate the DTC RXI_1

2.3.6 Serial Communications Interface

Table 10 gives settings for the registers of the SCI in the sample program.

Table 10 Settings for SCI Register

Register Name	Address	Setting	Description
Serial mode register (SCSMR_1)	H'FFFF C080	H'00	C/ \bar{A} = B'0: Asynchronous mode CHR = B'0: 8-bit data PE = B'0: Disables appending and checking of parity bits STOP = B'0: 1 stop bit CKS [1:0] = B'00: P ϕ clock
Bit rate register (SCBRR_1)	H'FFFF C082	D'64	Asynchronous mode Bit rate: 19,200 (bit/s)* ¹
Serial control register (SCSCR_1)	H'FFFF C084	H'00	Initialization TIE = B'0: Disables transmit-data-empty interrupt (TXI) request RIE = B'0: Disables receive-data-full interrupt (RXI) and receive error interrupt (ERI) requests TE = B'0: Disables transmission of data RE = B'0: Disables reception of data
		H'F0	At the time of setting Asynchronous mode CKE [1:0] = B'00: Internal clock, and the SCK pin is used as an input pin
		H'F0	Enabling transmission and reception of data TIE = B'1: Enables transmit-data-empty interrupt (TXI) request RIE = B'1: Enables receive-data-full interrupt (RXI) request TE = B'1: Enables transmission of data RE = B'1: Enables reception of data
Serial status register (SCSSR_1)	H'FFFF C088	H'84	Initial value TDRE = B'1: Transmit-data-empty flag TEND = B'1: Transmit end flag
		H'04	At the time of setting Clears the TDRE flag

Note: 1. For details on bit rate settings, see the table of bit rates and SCBRR settings in the section on the serial communications interface of the *SH7137 Group Hardware Manual*.

3. Documents for Reference

- Software Manual
SH-1/SH-2/SH2-DSP Software Manual
The most up-to-date version of this document is available on the Renesas Technology Website.
- Hardware Manual
SH7137 Group Hardware Manual
The most up-to-date version of this document is available on the Renesas Technology Website.

Website and Support

Renesas Technology Website
<http://www.renesas.com/>

Inquiries
<http://www.renesas.com/inquiry>
csc@renesas.com

Revision Record

Rev.	Date	Description	
		Page	Summary
1.00	Sep.19.08	—	First edition issued

All trademarks and registered trademarks are the property of their respective owners.

Notes regarding these materials

1. This document is provided for reference purposes only so that Renesas customers may select the appropriate Renesas products for their use. Renesas neither makes warranties or representations with respect to the accuracy or completeness of the information contained in this document nor grants any license to any intellectual property rights or any other rights of Renesas or any third party with respect to the information in this document.
2. Renesas shall have no liability for damages or infringement of any intellectual property or other rights arising out of the use of any information in this document, including, but not limited to, product data, diagrams, charts, programs, algorithms, and application circuit examples.
3. You should not use the products or the technology described in this document for the purpose of military applications such as the development of weapons of mass destruction or for the purpose of any other military use. When exporting the products or technology described herein, you should follow the applicable export control laws and regulations, and procedures required by such laws and regulations.
4. All information included in this document such as product data, diagrams, charts, programs, algorithms, and application circuit examples, is current as of the date this document is issued. Such information, however, is subject to change without any prior notice. Before purchasing or using any Renesas products listed in this document, please confirm the latest product information with a Renesas sales office. Also, please pay regular and careful attention to additional and different information to be disclosed by Renesas such as that disclosed through our website. (<http://www.renesas.com>)
5. Renesas has used reasonable care in compiling the information included in this document, but Renesas assumes no liability whatsoever for any damages incurred as a result of errors or omissions in the information included in this document.
6. When using or otherwise relying on the information in this document, you should evaluate the information in light of the total system before deciding about the applicability of such information to the intended application. Renesas makes no representations, warranties or guaranties regarding the suitability of its products for any particular application and specifically disclaims any liability arising out of the application and use of the information in this document or Renesas products.
7. With the exception of products specified by Renesas as suitable for automobile applications, Renesas products are not designed, manufactured or tested for applications or otherwise in systems the failure or malfunction of which may cause a direct threat to human life or create a risk of human injury or which require especially high quality and reliability such as safety systems, or equipment or systems for transportation and traffic, healthcare, combustion control, aerospace and aeronautics, nuclear power, or undersea communication transmission. If you are considering the use of our products for such purposes, please contact a Renesas sales office beforehand. Renesas shall have no liability for damages arising out of the uses set forth above.
8. Notwithstanding the preceding paragraph, you should not use Renesas products for the purposes listed below:
 - (1) artificial life support devices or systems
 - (2) surgical implantations
 - (3) healthcare intervention (e.g., excision, administration of medication, etc.)
 - (4) any other purposes that pose a direct threat to human life

Renesas shall have no liability for damages arising out of the uses set forth in the above and purchasers who elect to use Renesas products in any of the foregoing applications shall indemnify and hold harmless Renesas Technology Corp., its affiliated companies and their officers, directors, and employees against any and all damages arising out of such applications.
9. You should use the products described herein within the range specified by Renesas, especially with respect to the maximum rating, operating supply voltage range, movement power voltage range, heat radiation characteristics, installation and other product characteristics. Renesas shall have no liability for malfunctions or damages arising out of the use of Renesas products beyond such specified ranges.
10. Although Renesas endeavors to improve the quality and reliability of its products, IC products have specific characteristics such as the occurrence of failure at a certain rate and malfunctions under certain use conditions. Please be sure to implement safety measures to guard against the possibility of physical injury, and injury or damage caused by fire in the event of the failure of a Renesas product, such as safety design for hardware and software including but not limited to redundancy, fire control and malfunction prevention, appropriate treatment for aging degradation or any other applicable measures. Among others, since the evaluation of microcomputer software alone is very difficult, please evaluate the safety of the final products or system manufactured by you.
11. In case Renesas products listed in this document are detached from the products to which the Renesas products are attached or affixed, the risk of accident such as swallowing by infants and small children is very high. You should implement safety measures so that Renesas products may not be easily detached from your products. Renesas shall have no liability for damages arising out of such detachment.
12. This document may not be reproduced or duplicated, in any form, in whole or in part, without prior written approval from Renesas.
13. Please contact a Renesas sales office if you have any questions regarding the information contained in this document, Renesas semiconductor products, or if you have any other inquiries.