

To our customers,

Old Company Name in Catalogs and Other Documents

On April 1st, 2010, NEC Electronics Corporation merged with Renesas Technology Corporation, and Renesas Electronics Corporation took over all the business of both companies. Therefore, although the old company name remains in this document, it is a valid Renesas Electronics document. We appreciate your understanding.

Renesas Electronics website: <http://www.renesas.com>

April 1st, 2010
Renesas Electronics Corporation

Issued by: Renesas Electronics Corporation (<http://www.renesas.com>)

Send any inquiries to <http://www.renesas.com/inquiry>.

Notice

1. All information included in this document is current as of the date this document is issued. Such information, however, is subject to change without any prior notice. Before purchasing or using any Renesas Electronics products listed herein, please confirm the latest product information with a Renesas Electronics sales office. Also, please pay regular and careful attention to additional and different information to be disclosed by Renesas Electronics such as that disclosed through our website.
2. Renesas Electronics does not assume any liability for infringement of patents, copyrights, or other intellectual property rights of third parties by or arising from the use of Renesas Electronics products or technical information described in this document. No license, express, implied or otherwise, is granted hereby under any patents, copyrights or other intellectual property rights of Renesas Electronics or others.
3. You should not alter, modify, copy, or otherwise misappropriate any Renesas Electronics product, whether in whole or in part.
4. Descriptions of circuits, software and other related information in this document are provided only to illustrate the operation of semiconductor products and application examples. You are fully responsible for the incorporation of these circuits, software, and information in the design of your equipment. Renesas Electronics assumes no responsibility for any losses incurred by you or third parties arising from the use of these circuits, software, or information.
5. When exporting the products or technology described in this document, you should comply with the applicable export control laws and regulations and follow the procedures required by such laws and regulations. You should not use Renesas Electronics products or the technology described in this document for any purpose relating to military applications or use by the military, including but not limited to the development of weapons of mass destruction. Renesas Electronics products and technology may not be used for or incorporated into any products or systems whose manufacture, use, or sale is prohibited under any applicable domestic or foreign laws or regulations.
6. Renesas Electronics has used reasonable care in preparing the information included in this document, but Renesas Electronics does not warrant that such information is error free. Renesas Electronics assumes no liability whatsoever for any damages incurred by you resulting from errors in or omissions from the information included herein.
7. Renesas Electronics products are classified according to the following three quality grades: “Standard”, “High Quality”, and “Specific”. The recommended applications for each Renesas Electronics product depends on the product’s quality grade, as indicated below. You must check the quality grade of each Renesas Electronics product before using it in a particular application. You may not use any Renesas Electronics product for any application categorized as “Specific” without the prior written consent of Renesas Electronics. Further, you may not use any Renesas Electronics product for any application for which it is not intended without the prior written consent of Renesas Electronics. Renesas Electronics shall not be in any way liable for any damages or losses incurred by you or third parties arising from the use of any Renesas Electronics product for an application categorized as “Specific” or for which the product is not intended where you have failed to obtain the prior written consent of Renesas Electronics. The quality grade of each Renesas Electronics product is “Standard” unless otherwise expressly specified in a Renesas Electronics data sheets or data books, etc.
 - “Standard”: Computers; office equipment; communications equipment; test and measurement equipment; audio and visual equipment; home electronic appliances; machine tools; personal electronic equipment; and industrial robots.
 - “High Quality”: Transportation equipment (automobiles, trains, ships, etc.); traffic control systems; anti-disaster systems; anti-crime systems; safety equipment; and medical equipment not specifically designed for life support.
 - “Specific”: Aircraft; aerospace equipment; submersible repeaters; nuclear reactor control systems; medical equipment or systems for life support (e.g. artificial life support devices or systems), surgical implantations, or healthcare intervention (e.g. excision, etc.), and any other applications or purposes that pose a direct threat to human life.
8. You should use the Renesas Electronics products described in this document within the range specified by Renesas Electronics, especially with respect to the maximum rating, operating supply voltage range, movement power voltage range, heat radiation characteristics, installation and other product characteristics. Renesas Electronics shall have no liability for malfunctions or damages arising out of the use of Renesas Electronics products beyond such specified ranges.
9. Although Renesas Electronics endeavors to improve the quality and reliability of its products, semiconductor products have specific characteristics such as the occurrence of failure at a certain rate and malfunctions under certain use conditions. Further, Renesas Electronics products are not subject to radiation resistance design. Please be sure to implement safety measures to guard them against the possibility of physical injury, and injury or damage caused by fire in the event of the failure of a Renesas Electronics product, such as safety design for hardware and software including but not limited to redundancy, fire control and malfunction prevention, appropriate treatment for aging degradation or any other appropriate measures. Because the evaluation of microcomputer software alone is very difficult, please evaluate the safety of the final products or system manufactured by you.
10. Please contact a Renesas Electronics sales office for details as to environmental matters such as the environmental compatibility of each Renesas Electronics product. Please use Renesas Electronics products in compliance with all applicable laws and regulations that regulate the inclusion or use of controlled substances, including without limitation, the EU RoHS Directive. Renesas Electronics assumes no liability for damages or losses occurring as a result of your noncompliance with applicable laws and regulations.
11. This document may not be reproduced or duplicated, in any form, in whole or in part, without prior written consent of Renesas Electronics.
12. Please contact a Renesas Electronics sales office if you have any questions regarding the information contained in this document or Renesas Electronics products, or if you have any other inquiries.

(Note 1) “Renesas Electronics” as used in this document means Renesas Electronics Corporation and also includes its majority-owned subsidiaries.

(Note 2) “Renesas Electronics product(s)” means any product developed or manufactured by or for Renesas Electronics.

SH7000 Series

Affine Transform

Label: AFIN

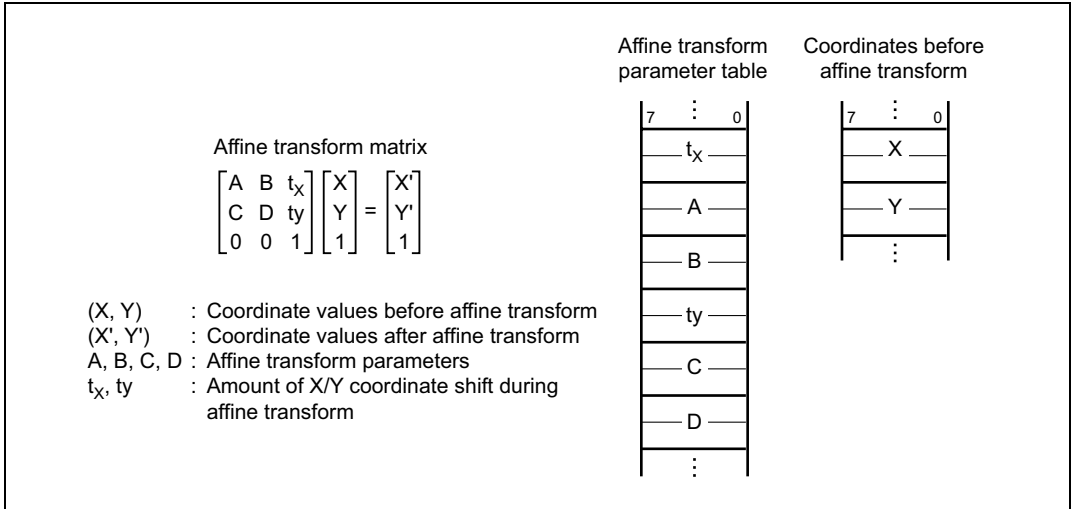
Functions Used: MAC.W Instruction
Post-Increment Register Indirect Addressing

Contents

1. Function	2
2. Arguments.....	2
3. Internal Register Changes and Flag Changes.....	3
4. Programming Specifications	4
5. Description	5
6. Flowchart.....	8
7. Program Listing	9

1. Function

Performs matrix operations of the affine transform. A the data table of the sort shown below must be prepared beforehand.



2. Arguments

Description	Storage Location	Data Length (Bytes)	
Input	Start address of affine transform parameter table	R0	4
	Storage address of coordinates before affine transform	R1	4
	Storage address of coordinates after affine transform	R2	4

3. Internal Register Changes and Flag Changes

(Before Execution) → (After Execution)

R0	Start address of affine transform parameter table → Undefined
R1	Storage address of coordinates before affine transform → Undefined
R2	Storage address of coordinates after affine transform → Undefined
R3	Work
R4	
R5	
R6	
R7	
R8	
R9	
R10	
R11	
R12	
R13	
R14	
R15	(SP)

- T — : No change
 * : Change
 0 : Fixed 0
 1 : Fixed 1

4. Programming Specifications

Program memory (bytes)
34
Data memory (bytes)
0
Stack (bytes)
4
Number of states
22
Reentrant
Yes
Relocation
Yes
Intermediate interrupt
Yes

5. Description

(1) Function

Details of the arguments are as follows.

R0: Set the affine transform parameter table start address as the input argument.

R1: Set the storage address of the coordinates before affine transform as the input argument.

R2: Set the storage address of the coordinates after affine transform as the input argument.

Figure 1 shows an execution example for the software AFIN instruction. In memory, affine transform parameters are allocated in advance from address H'1000 0000 through t_x , A, B, t_y , C, and D, in that order. Coordinates before affine transform are allocated from address H'1000 1000 in the order X, Y. The affine transform parameter table start address, storage address for coordinates before affine transform, and storage address for coordinates after affine transform are transferred to the software AFIN as the input argument. Transform matrix operations are performed in AFIN software and coordinates after affine transform are allocated as specified in the input argument from address H'1000 1100 in the order X', Y'.

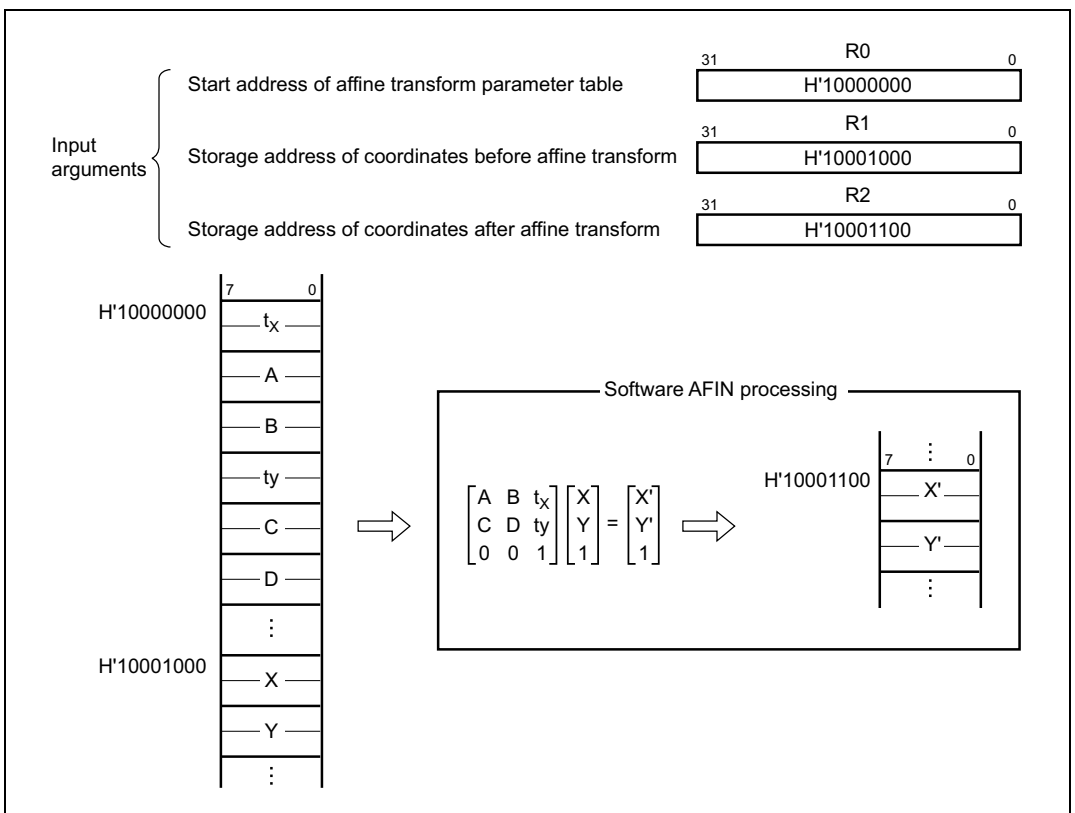


Figure 1 Software AFIN Execution Example

(2) Usage Notes

Affine transform parameters and coordinates should be allocated before the affine transform, as shown in figure 1.

(3) RAM Used

No RAM is used by the software AFIN instruction.

(4) Usage Example

After the affine transform parameter table start address, the storage address for coordinates before affine transform, and the storage address for coordinates after affine transform are set in input arguments, the AFIN software instruction is called from a subroutine.

```

MOV.L  DATA1,R0    . . . Sets affine transform parameter table start address in input argument
MOV.L  DATA2,R1    . . . Sets the storage address for coordinates before affine transform in input
                    argument
BSR    AFIN         . . . Subroutine call to software instruction AFIN
MOV.L  DATA3,R2    . . . Sets storage address for coordinates after affine transform in input argument
.
.
.
.
.align  4
DATA1  .data.1     H'10000000
DATA2  .data.1     H'10001000
DATA3  .data.1     H'10001100

```


(5) Operating Principle

(a) Expanding the affine transform matrix produces the following formulas:

$$X' = AX + BY + t_x$$

$$Y' = CX + DY + t_y$$

(b) As shown in figure 2, $AX + BY + t_x$ and $CX + DY + t_y$ are determined using the multiply and accumulate instruction (MAC).

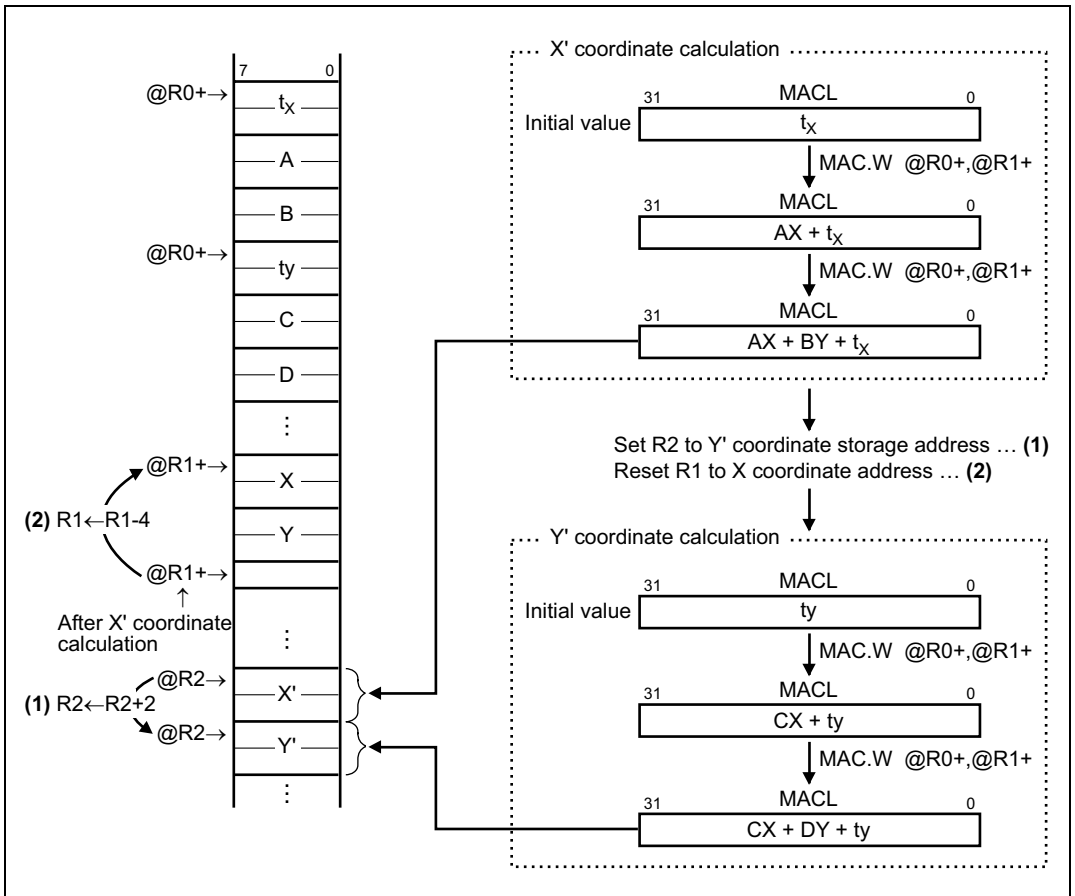
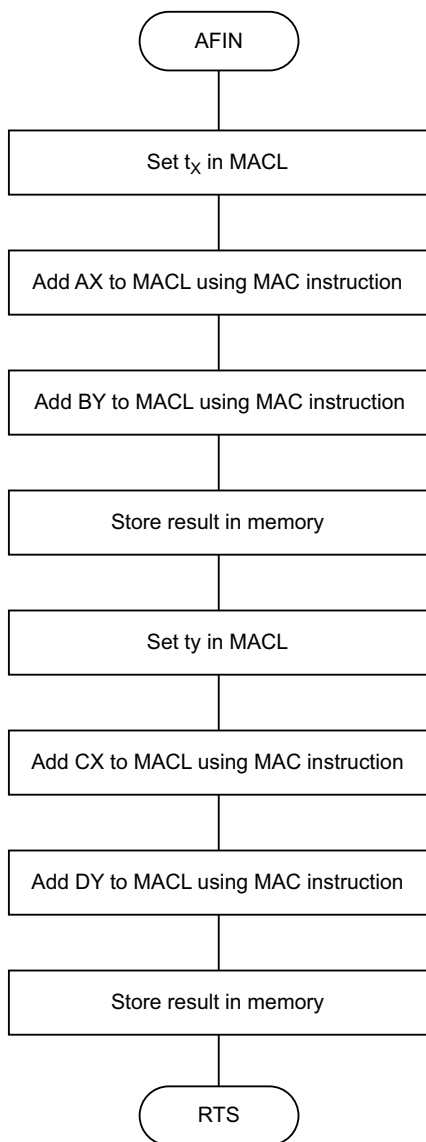


Figure 2 Calculation of X' and Y' Coordinates

6. Flowchart



7. Program Listing

```

1          1          ;*****
2          2          ;*
3          3          ;*      NAME ; AFIN CONVERSION (AFIN)
4          4          ;*
5          5          ;*****
6          6          ;*
7          7          ;*      ENTRY : R0 (TOP ADDRESS OF PARAMETER)
8          8          ;*      R1 (STORED ADDRESS OF BEFORE AFIN CONVERSION)
9          9          ;*      R2 (STOR ADDRESS OF AFTER AFIN CONVERSION)
10         10         ;*
11        11         ;*****
12 00001000        12          .SECTION A, CODE, LOCATE=H'1000
13          13         AFIN      .EQU      $          ; Entry point
14 00001000 2F36   14          MOV.L    R3, @-R15      ; Escape register
15 00001002 6305   15          MOV.W    @R0+, R3      ; tx -> MACL
16 00001004 431A   16          LDS     R3, MACL      ;
17 00001006 410F   17          MAC.W    @R0+, @R1+      ; A=X+MACL -> MACL(=AX+Tx)
18 00001008 410F   18          MAC.W    @R0+, @R1+      ; B=Y+MACL -> MACL(=AX+BY+Tx)
19 0000100A 031A   19          STS     MACL, R3      ; MACL -> X'
20 0000100C 2231   20          MOV.W    R3, @R2      ;
21 0000100E 7202   21          ADD     #2, R2      ;
22 00001010 6305   22          MOV.W    @R0+, R3      ; Ty -> MACL
23 00001012 431A   23          LDS     R3, MACL      ;
24 00001014 71FC   24          ADD     #-4, R1      ;
25 00001016 410F   25          MAC.W    @R0+, @R1+      ; C=X+MACL -> MACL(=CX+Ty)
26 00001018 410F   26          MAC.W    @R0+, @R1+      ; D=Y+MACL -> MACL(=CX+DY+Ty)
27 0000101A 031A   27          STS     MACL, R3      ; MACL -> Y'
28 0000101C 2231   28          MOV.W    R3, @R2      ;
29 0000101E 000B   29          RTS     ;
30 00001020 63F6   30          MOV.L    @R15+, R3      ; Return register
31          31          .END
*****TOTAL ERRORS      0
*****TOTAL WARNINGS    0

```

Keep safety first in your circuit designs!

1. Renesas Technology Corp. puts the maximum effort into making semiconductor products better and more reliable, but there is always the possibility that trouble may occur with them. Trouble with semiconductors may lead to personal injury, fire or property damage.
Remember to give due consideration to safety when making your circuit designs, with appropriate measures such as (i) placement of substitutive, auxiliary circuits, (ii) use of nonflammable material or (iii) prevention against any malfunction or mishap.

Notes regarding these materials

1. These materials are intended as a reference to assist our customers in the selection of the Renesas Technology Corp. product best suited to the customer's application; they do not convey any license under any intellectual property rights, or any other rights, belonging to Renesas Technology Corp. or a third party.
2. Renesas Technology Corp. assumes no responsibility for any damage, or infringement of any third-party's rights, originating in the use of any product data, diagrams, charts, programs, algorithms, or circuit application examples contained in these materials.
3. All information contained in these materials, including product data, diagrams, charts, programs and algorithms represents information on products at the time of publication of these materials, and are subject to change by Renesas Technology Corp. without notice due to product improvements or other reasons. It is therefore recommended that customers contact Renesas Technology Corp. or an authorized Renesas Technology Corp. product distributor for the latest product information before purchasing a product listed herein.
The information described here may contain technical inaccuracies or typographical errors. Renesas Technology Corp. assumes no responsibility for any damage, liability, or other loss rising from these inaccuracies or errors.
Please also pay attention to information published by Renesas Technology Corp. by various means, including the Renesas Technology Corp. Semiconductor home page (<http://www.renesas.com>).
4. When using any or all of the information contained in these materials, including product data, diagrams, charts, programs, and algorithms, please be sure to evaluate all information as a total system before making a final decision on the applicability of the information and products. Renesas Technology Corp. assumes no responsibility for any damage, liability or other loss resulting from the information contained herein.
5. Renesas Technology Corp. semiconductors are not designed or manufactured for use in a device or system that is used under circumstances in which human life is potentially at stake. Please contact Renesas Technology Corp. or an authorized Renesas Technology Corp. product distributor when considering the use of a product contained herein for any specific purposes, such as apparatus or systems for transportation, vehicular, medical, aerospace, nuclear, or undersea repeater use.
6. The prior written approval of Renesas Technology Corp. is necessary to reprint or reproduce in whole or in part these materials.
7. If these products or technologies are subject to the Japanese export control restrictions, they must be exported under a license from the Japanese government and cannot be imported into a country other than the approved destination.
Any diversion or reexport contrary to the export control laws and regulations of Japan and/or the country of destination is prohibited.
8. Please contact Renesas Technology Corp. for further details on these materials or the products contained therein.