

To our customers,

---

## Old Company Name in Catalogs and Other Documents

---

On April 1<sup>st</sup>, 2010, NEC Electronics Corporation merged with Renesas Technology Corporation, and Renesas Electronics Corporation took over all the business of both companies. Therefore, although the old company name remains in this document, it is a valid Renesas Electronics document. We appreciate your understanding.

Renesas Electronics website: <http://www.renesas.com>

April 1<sup>st</sup>, 2010  
Renesas Electronics Corporation

Issued by: Renesas Electronics Corporation (<http://www.renesas.com>)

Send any inquiries to <http://www.renesas.com/inquiry>.

## Notice

1. All information included in this document is current as of the date this document is issued. Such information, however, is subject to change without any prior notice. Before purchasing or using any Renesas Electronics products listed herein, please confirm the latest product information with a Renesas Electronics sales office. Also, please pay regular and careful attention to additional and different information to be disclosed by Renesas Electronics such as that disclosed through our website.
2. Renesas Electronics does not assume any liability for infringement of patents, copyrights, or other intellectual property rights of third parties by or arising from the use of Renesas Electronics products or technical information described in this document. No license, express, implied or otherwise, is granted hereby under any patents, copyrights or other intellectual property rights of Renesas Electronics or others.
3. You should not alter, modify, copy, or otherwise misappropriate any Renesas Electronics product, whether in whole or in part.
4. Descriptions of circuits, software and other related information in this document are provided only to illustrate the operation of semiconductor products and application examples. You are fully responsible for the incorporation of these circuits, software, and information in the design of your equipment. Renesas Electronics assumes no responsibility for any losses incurred by you or third parties arising from the use of these circuits, software, or information.
5. When exporting the products or technology described in this document, you should comply with the applicable export control laws and regulations and follow the procedures required by such laws and regulations. You should not use Renesas Electronics products or the technology described in this document for any purpose relating to military applications or use by the military, including but not limited to the development of weapons of mass destruction. Renesas Electronics products and technology may not be used for or incorporated into any products or systems whose manufacture, use, or sale is prohibited under any applicable domestic or foreign laws or regulations.
6. Renesas Electronics has used reasonable care in preparing the information included in this document, but Renesas Electronics does not warrant that such information is error free. Renesas Electronics assumes no liability whatsoever for any damages incurred by you resulting from errors in or omissions from the information included herein.
7. Renesas Electronics products are classified according to the following three quality grades: "Standard", "High Quality", and "Specific". The recommended applications for each Renesas Electronics product depends on the product's quality grade, as indicated below. You must check the quality grade of each Renesas Electronics product before using it in a particular application. You may not use any Renesas Electronics product for any application categorized as "Specific" without the prior written consent of Renesas Electronics. Further, you may not use any Renesas Electronics product for any application for which it is not intended without the prior written consent of Renesas Electronics. Renesas Electronics shall not be in any way liable for any damages or losses incurred by you or third parties arising from the use of any Renesas Electronics product for an application categorized as "Specific" or for which the product is not intended where you have failed to obtain the prior written consent of Renesas Electronics. The quality grade of each Renesas Electronics product is "Standard" unless otherwise expressly specified in a Renesas Electronics data sheets or data books, etc.

"Standard": Computers; office equipment; communications equipment; test and measurement equipment; audio and visual equipment; home electronic appliances; machine tools; personal electronic equipment; and industrial robots.

"High Quality": Transportation equipment (automobiles, trains, ships, etc.); traffic control systems; anti-disaster systems; anti-crime systems; safety equipment; and medical equipment not specifically designed for life support.

"Specific": Aircraft; aerospace equipment; submersible repeaters; nuclear reactor control systems; medical equipment or systems for life support (e.g. artificial life support devices or systems), surgical implantations, or healthcare intervention (e.g. excision, etc.), and any other applications or purposes that pose a direct threat to human life.

8. You should use the Renesas Electronics products described in this document within the range specified by Renesas Electronics, especially with respect to the maximum rating, operating supply voltage range, movement power voltage range, heat radiation characteristics, installation and other product characteristics. Renesas Electronics shall have no liability for malfunctions or damages arising out of the use of Renesas Electronics products beyond such specified ranges.
9. Although Renesas Electronics endeavors to improve the quality and reliability of its products, semiconductor products have specific characteristics such as the occurrence of failure at a certain rate and malfunctions under certain use conditions. Further, Renesas Electronics products are not subject to radiation resistance design. Please be sure to implement safety measures to guard them against the possibility of physical injury, and injury or damage caused by fire in the event of the failure of a Renesas Electronics product, such as safety design for hardware and software including but not limited to redundancy, fire control and malfunction prevention, appropriate treatment for aging degradation or any other appropriate measures. Because the evaluation of microcomputer software alone is very difficult, please evaluate the safety of the final products or system manufactured by you.
10. Please contact a Renesas Electronics sales office for details as to environmental matters such as the environmental compatibility of each Renesas Electronics product. Please use Renesas Electronics products in compliance with all applicable laws and regulations that regulate the inclusion or use of controlled substances, including without limitation, the EU RoHS Directive. Renesas Electronics assumes no liability for damages or losses occurring as a result of your noncompliance with applicable laws and regulations.
11. This document may not be reproduced or duplicated, in any form, in whole or in part, without prior written consent of Renesas Electronics.
12. Please contact a Renesas Electronics sales office if you have any questions regarding the information contained in this document or Renesas Electronics products, or if you have any other inquiries.

(Note 1) "Renesas Electronics" as used in this document means Renesas Electronics Corporation and also includes its majority-owned subsidiaries.

(Note 2) "Renesas Electronics product(s)" means any product developed or manufactured by or for Renesas Electronics.

# H8S Series Technical Q&A

Application Note

Renesas 16-Bit Single-Chip  
Microcomputer  
H8S Family

## Keep safety first in your circuit designs!

1. Renesas Technology Corp. puts the maximum effort into making semiconductor products better and more reliable, but there is always the possibility that trouble may occur with them. Trouble with semiconductors may lead to personal injury, fire or property damage.  
Remember to give due consideration to safety when making your circuit designs, with appropriate measures such as (i) placement of substitutive, auxiliary circuits, (ii) use of nonflammable material or (iii) prevention against any malfunction or mishap.

## Notes regarding these materials

1. These materials are intended as a reference to assist our customers in the selection of the Renesas Technology Corp. product best suited to the customer's application; they do not convey any license under any intellectual property rights, or any other rights, belonging to Renesas Technology Corp. or a third party.
2. Renesas Technology Corp. assumes no responsibility for any damage, or infringement of any third-party's rights, originating in the use of any product data, diagrams, charts, programs, algorithms, or circuit application examples contained in these materials.
3. All information contained in these materials, including product data, diagrams, charts, programs and algorithms represents information on products at the time of publication of these materials, and are subject to change by Renesas Technology Corp. without notice due to product improvements or other reasons. It is therefore recommended that customers contact Renesas Technology Corp. or an authorized Renesas Technology Corp. product distributor for the latest product information before purchasing a product listed herein.  
The information described here may contain technical inaccuracies or typographical errors. Renesas Technology Corp. assumes no responsibility for any damage, liability, or other loss rising from these inaccuracies or errors.  
Please also pay attention to information published by Renesas Technology Corp. by various means, including the Renesas Technology Corp. Semiconductor home page (<http://www.renesas.com>).
4. When using any or all of the information contained in these materials, including product data, diagrams, charts, programs, and algorithms, please be sure to evaluate all information as a total system before making a final decision on the applicability of the information and products. Renesas Technology Corp. assumes no responsibility for any damage, liability or other loss resulting from the information contained herein.
5. Renesas Technology Corp. semiconductors are not designed or manufactured for use in a device or system that is used under circumstances in which human life is potentially at stake. Please contact Renesas Technology Corp. or an authorized Renesas Technology Corp. product distributor when considering the use of a product contained herein for any specific purposes, such as apparatus or systems for transportation, vehicular, medical, aerospace, nuclear, or undersea repeater use.
6. The prior written approval of Renesas Technology Corp. is necessary to reprint or reproduce in whole or in part these materials.
7. If these products or technologies are subject to the Japanese export control restrictions, they must be exported under a license from the Japanese government and cannot be imported into a country other than the approved destination.  
Any diversion or reexport contrary to the export control laws and regulations of Japan and/or the country of destination is prohibited.
8. Please contact Renesas Technology Corp. for further details on these materials or the products contained therein.

# Preface

The H8S/2000 Series is a new series of Renesas Technology-original high-performance 16-bit microcomputers designed to offer higher performance and lower power consumption than existing H8 Series models, which are widely used in equipment control, and provide much greater ease of use. These microcomputers include a CPU, RAM, ROM, DMA controller, data transfer controller, bus controller, timers, SCI, A/D converter, and other on-chip supporting modules, making them suitable for use in a wide range of applications from small to large-scale systems. Another major feature of the H8S/2000 Series is upward-compatibility at the CPU object code level with the H8/300H, H8/300, and H8/300L Series within the H8 Series, allowing the use of existing software resources.

This Microcomputer Technical Q&A Application Note covers the H8S/2655 Series, H8S/2350 Series, H8S/2355 Series, H8S/2357, H8S/2345 Series, H8S/2245 Series, H8S/2148 Series, H8S/2144 Series, H8S/2138 Series, H8S/2134 Series, H8S/2128 Series, and H8S/2124 Series.



# Using this Application Note

This Application Note is a compilation of responses to queries from Renesas Technology microcomputer users, presented in Question and Answer format. It should be used in conjunction with the relevant users' manuals.

It may also be helpful to read through this manual before beginning design work on products using H8S Series microcomputers, to gain more in-depth knowledge of the microcomputer products, and as a reminder of items that may present difficulties in the design stage.





# Contents

## CPU

### CPU

Subject: Use of General Registers .....	1
Subject: Difference between V Flag and C Flag in CCR .....	2
Subject: Relationship between Data Size and Change of V Flag .....	4
Subject: Area Usable as ROM in Vector Table.....	5
Subject: H8S/2000 CPU Normal Mode.....	6
Subject: MAC Register .....	7
Subject: EXR Register.....	8

### Instruction

Subject: SUBX Instruction .....	9
Subject: BRN Instruction.....	10
Subject: Difference between BRA Instruction and JMP Instruction.....	11
Subject: BRA and BRN Instructions .....	12
Subject: Support of DAA (DAS) Instruction Corresponding to INC (DEC) Instruction .....	13
Subject: Odd Address Value when STC Instruction is Executed .....	14
Subject: Stack Precautions.....	15
Subject: Stack Pointer .....	16
Subject: TAS Instruction .....	17
Subject: BLD and BIST Instructions.....	18
Subject: BOR and BIAND Instructions.....	20

### MCU Operating Modes

Subject: Mode Pins .....	22
Subject: Use of RAME Bit .....	23

### Exception Handling

Subject: Reset.....	24
---------------------	----

### Interrupts

Subject: Handling of Interrupt Requests when IRQ Interrupts are Disabled.....	26
Subject: Handling of Interrupt Requests when Interrupts are Masked .....	27
Subject: Use of IRQ Status Register .....	28
Subject: Interrupt Disable Timing (1).....	29
Subject: Interrupt Disable Timing (2).....	30
Subject: Interrupt Immediately after Reset.....	31
Subject: Simultaneous $\overline{\text{IRQ}}$ Interrupts of the Same Priority .....	32

Subject: Use of Different Interrupt Modes .....	33
Subject: Insufficient Number of External Interrupts .....	35
<b>Bus controller</b>	
Subject: $\overline{CS}$ State in On-Chip RAM and Internal I/O Access .....	36
Subject: $\phi$ Clock State when Bus is Released.....	37
Subject: $\overline{WAIT}$ (1) .....	38
Subject: $\overline{WAIT}$ (2) .....	39
Subject: Program Wait Switchover Timing.....	41
Subject: $\overline{BREQ}$ Acceptance in Power-Down Modes.....	43
Subject: External Connection of RAM to 8-Bit-Access Space .....	44
Subject: Bus Controller Settings for Area 7 .....	45
Subject: External Bus states during CPU Operation .....	47
Subject: Internal I/O Register Access when Bus is Released .....	48
Subject: $\overline{CS}$ Signals after Power-On Reset .....	49
Subject: Bus Release Wait Time after $\overline{BREQ}$ Input .....	50
Subject: External Bus Right Release and Refresh Control.....	51
Subject: 2-CAS DRAM Interface .....	52
<b>Power-Down State</b>	
Subject: Medium-Speed Mode .....	54
Subject: Oscillation Settling Wait Time after Software Standby Mode .....	55
Subject: On-Chip Supporting Modules in Software Standby Mode .....	56
Subject: Mode Pins (MD2 to MD0) in Hardware Standby Mode .....	57
Subject: Hardware Standby Mode at Power-On.....	58
Subject: Module Stop Mode .....	59
Subject: Timer Output in Module Stop Mode .....	60
<b>Electrical Characteristics</b>	
Subject: Current Dissipation Value .....	61
Subject: $\overline{RD}$ Signal Timing .....	62
<b>Pins</b>	
Subject: Handling of Unused Pins .....	64
Subject: $\overline{RES}$ Pin, $\overline{STBY}$ Pin, and NMI Pin Input Circuits .....	65
Subject: Address Pin States in On-Chip Memory Access .....	66
Subject: Built-In MOS Pull-Ups in Reset.....	68
Subject: $\overline{WDTOVF}$ Pin .....	69

# On-Chip I/O

## DMAC

Subject: Number of States between Transfers.....	71
Subject: Maximum Transfer Rate.....	72
Subject: Difference between DMAC and DTC.....	73
Subject: Alternate 8-Bit/16-Bit Space Accesses.....	74
Subject: TEND Signal Output Conditions when Using Write Buffer Function.....	76
Subject: Interrupt Acceptance After End of Transfer.....	78
Subject: Handling of Transfer Request before Start of Transfer.....	79
Subject: Activation Request Signal Detection.....	80
Subject: Short Address Mode and Full Address Mode.....	82
Subject: Bus Right in Standby State.....	83
Subject: Handling of Transfer End Interrupt.....	84
Subject: DREQ Signal Input.....	86

## DTC

Subject: Nature of DTC.....	87
Subject: Maximum Number of Channels.....	88
Subject: Setting Register Information.....	89
Subject: Order of Setting Register Information.....	90
Subject: Use of DTC Interrupt Select Bit (DISEL).....	91

## TPU (16-Bit Timers)

Subject: Non-Timer Use of Port.....	92
Subject: Cascaded Connection.....	93
Subject: Dual Use of PWM Mode 1 and Input Capture.....	94
Subject: Setting PWM Mode 2 Cycle.....	95
Subject: Synchronous Operation of Two Sets.....	96
Subject: Two-Phase PWM Output.....	97

## WDT

Subject: Interval Timer with Arbitrary Time Interval.....	99
---	----

## SCI

Subject: SCI Initialization.....	100
Subject: Difference between TDRE Flag and TEND Flag.....	101
Subject: Initial State of TxD Pin.....	102
Subject: Maximum External Clock Input Value (Asynchronous Mode).....	103
Subject: Transmit/Receive Operation in Synchronous Mode.....	104
Subject: SCI Transmission Using DTC.....	105
Subject: Permissible Bit Rate Error in Asynchronous Mode.....	106
Subject: Operation of RDRF Flag.....	109

Subject: RDRF Flag Set Timing .....	110
Subject: Interrupt Source Flag Clearing .....	113
Subject: Continuous Transmission/Reception in Synchronous Mode Using External Clock .....	114
Subject: Use of RDR and TDR when SCI is Not Used .....	115
Subject: SCI Clock Pin Input/Output Setting .....	116
Subject: Serial Internal I/O Pin States .....	117
Subject: Setting Asynchronous Mode .....	118
Subject: Data Transfer to TDR .....	121
Subject: TDRE Flag Set Timing .....	123
Subject: Phases of System Clock and SCK .....	127

## A/D Converter

Subject: Idea Behind External C and R .....	128
Subject: A/D Conversion in Simultaneous Sampling Operation .....	130
Subject: A/D Conversion Time in Simultaneous Sampling Operation .....	132

## I/O Ports

Subject: I/O Port Manipulation .....	134
Subject: Reserved Bits .....	135
Subject: Disabling $\phi$ Output .....	136
Subject: Port 3 Open-Drain Output .....	137
Subject: Multiplexing as $\overline{\text{IRQ3}}$ and $\overline{\text{LWR}}$ .....	138

## Clock Pulse Generator

Subject: Crystal Resonator Capacitance Value .....	139
--	-----

**Q&A No.:** QAH8S-001

---

**Category:** CPU

---

**Subject:** Use of General Registers

---

## Question

Is it possible to use a mix of 8-bit, 16-bit, and 32-bit general registers?

## Answer

Yes. Individual registers can be used in any way desired, as shown below.

Example:

E0	R0H	R0L
ER1		
E2	R2H	R2L
ER3		
E4	R4	
E5	R5	
E6	R6H	R6L
ER7 (SP)		

However, note that ER7 is used implicitly as the SP.

## Applicable Products

Applicability	Series	Applicability	Series	Applicability	Series
Yes	Entire H8S Series		H8S/2655		H8S/2350
	H8S/2355		H8S/2357		H8S/2345
	H8S/2245		H8S/2148		H8S/2144
	H8S/2138		H8S/2134		H8S/2128
	H8S/2124	—	—	—	—

**Q&A No.:** QAH8S-002

**Category:** CPU

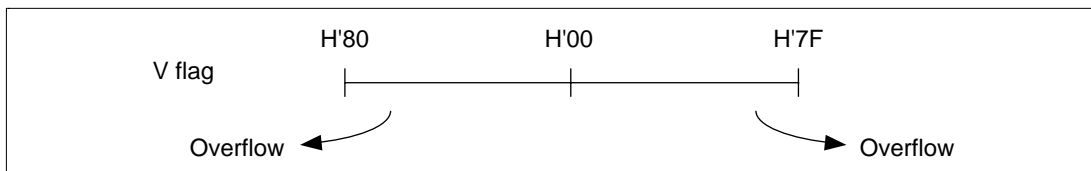
**Subject:** Difference between V Flag and C Flag in CCR

## Question

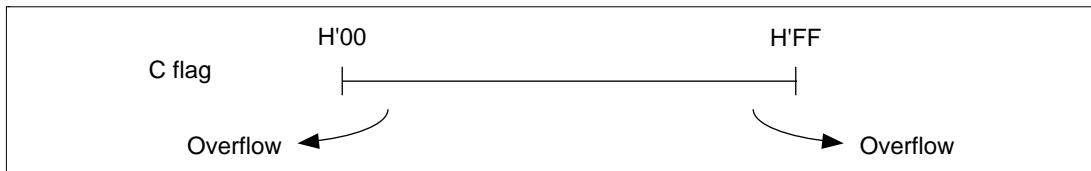
The V flag and C flag in CCR are both set if overflow occurs during an operation. What is the difference between these flags?

## Answer

The V flag in CCR is used to identify whether overflow occurs in a signed operation. To take the example of a byte-size operation, this flag is set to 1 if the operation result is smaller than the negative minimum value (H'80) larger than the positive maximum value (H'7F).



The C flag, on the other hand, is used to identify whether overflow occurs in an unsigned operation. To take the example of a byte-size operation, this flag is set to 1 if the operation result is larger than the maximum value (H'FF) or smaller than the minimum value (H'00).



# Microcomputer Technical Q&A

---

## Applicable Products

<b>Applicability</b>	<b>Series</b>	<b>Applicability</b>	<b>Series</b>	<b>Applicability</b>	<b>Series</b>
Yes	Entire H8S Series		H8S/2655		H8S/2350
	H8S/2355		H8S/2357		H8S/2345
	H8S/2245		H8S/2148		H8S/2144
	H8S/2138		H8S/2134		H8S/2128
	H8S/2124	—	—	—	—

**Q&A No.:** QAH8S-003

---

**Category:** CPU

---

**Subject:** Relationship between Data Size and Change of V Flag

---

## Question

Do changes of the V flag in the condition code register (CCR) depend on the data size?

## Answer

The V flag changes on detection of overflow in the result of a signed arithmetic operation. The change operation is the same regardless of the data size, but the times when the flag changes differ as shown below.

Byte size: In the case of a value larger than H'7F or smaller than H'80

Word size: In the case of a value larger than H'7FFF or smaller than H'8000

Longword size: In the case of a value larger than H'7FFFFFFF or smaller than H'80000000

## Applicable Products

Applicability	Series	Applicability	Series	Applicability	Series
Yes	Entire H8S Series		H8S/2655		H8S/2350
	H8S/2355		H8S/2357		H8S/2345
	H8S/2245		H8S/2148		H8S/2144
	H8S/2138		H8S/2134		H8S/2128
	H8S/2124	—	—	—	—



**Q&A No.:** QAH8S-004

---

**Category:** CPU

---

**Subject:** Area Usable as ROM in Vector Table

---

## Questions

1. Can a free area in the vector table (reserved, or reserved for system use) be used as ROM?
2. Can a free area in the internal I/O register area be used as ROM?

## Answers

1. Vector numbers 0 to 6 and 12 to 15 reserved for system use in the vector table cannot be used. Reserved addresses can be used as ROM. Vector addresses for unused interrupts in the vector table can also be used as ROM.
2. Free I/O register areas cannot be used.

## Additional Explanation

Areas reserved for system use can be used by development tools.

Addresses of areas reserved for system use, and reserved area addresses, should be checked manually.

In a memory-indirect-addressing branch address area, addresses other than those reserved for system use and the used vector table addresses can be used.

## Applicable Products

Applicability	Series	Applicability	Series	Applicability	Series
Yes	Entire H8S Series		H8S/2655		H8S/2350
	H8S/2355		H8S/2357		H8S/2345
	H8S/2245		H8S/2148		H8S/2144
	H8S/2138		H8S/2134		H8S/2128
	H8S/2124	—	—	—	—

**Q&A No.:** QAH8S-005

---

**Category:** CPU

---

**Subject:** H8S/2000 CPU Normal Mode

---

## Question

Are any precautions required when making a transition from H8/300 Series to H8S/2000 Series normal mode?

## Answer

In H8S normal mode, address registers are recognized as being 32 bits long. Therefore, the following changes are necessary when using an H8/300 assembler program.

- Register indirect

Example: `MOV.B @R0,R1L` → `MOV.B @ER0,R1L`

An error is not flagged during assembly.

Access is possible regardless of the contents of the extended register (E0).

- ADDS/SUBS instruction

Example: `ADDS.W R0` → `ADDS.L ER0`

or

`INC.W R0`

- SP (stack pointer)

Example: `MOV.W #16,SP` → `MOV.L #:32,SP`

or

`MOV.W #:16,R7`

## Applicable Products

Applicability	Series	Applicability	Series	Applicability	Series
Yes	Entire H8S Series		H8S/2655		H8S/2350
	H8S/2355		H8S/2357		H8S/2345
	H8S/2245		H8S/2148		H8S/2144
	H8S/2138		H8S/2134		H8S/2128
	H8S/2124	—	—	—	—

**Q&A No.:** QAH8S-006

---

**Category:** CPU

---

**Subject:** MAC Register

---

## Question

Why is the MAC register 42 bits long?

## Answer

The MAC register is used to store the value obtained by adding together the result of a multiplication and the value in the register itself. The multiplication result is 32 bits (from a 16-bit  $\times$  16-bit operation), and if the MAC register value is added as 32 bits, overflow may occur. To prevent overflow, therefore, the 32 bits are increased by 10 bits, giving 42 bits (so that overflow will not occur even if  $2^{10} = 1024$  multiply-and-accumulate operations are performed).

## Applicable Products

Applicability	Series	Applicability	Series	Applicability	Series
	Entire H8S Series	Yes	H8S/2655		H8S/2350
	H8S/2355		H8S/2357		H8S/2345
	H8S/2245		H8S/2148		H8S/2144
	H8S/2138		H8S/2134		H8S/2128
	H8S/2124	—	—	—	—

**Q&A No.:** QAH8S-007

---

**Category:** CPU

---

**Subject:** EXR Register

---

## Question

Why has the EXR registers been added?

## Answer

There are two reasons:

- Providing 8 interrupt mask levels using I2 to I0 enables multiple interrupt handling to be speeded up.
- Trace functions are implemented using the T bit. When the T bit is set to 1, trace exception handling is started each time an instruction is executed. For details, see the hardware manual.

## Applicable Products

Applicability	Series	Applicability	Series	Applicability	Series
	Entire H8S Series	Yes	H8S/2655	Yes	H8S/2350
Yes	H8S/2355	Yes	H8S/2357	Yes	H8S/2345
	H8S/2245		H8S/2148		H8S/2144
	H8S/2138		H8S/2134		H8S/2128
	H8S/2124	—	—	—	—

**Q&A No.:** QAH8S-008

---

**Category:** Instruction

---

**Subject:** SUBX Instruction

---

## Question

Why is the Z flag value unchanged when the result of a SUBX (subtraction with carry) instruction operation is 0?

## Answer

This is because the SUBX instruction operation result is ANDed with the Z flag value before execution of the instruction. The logical equation is shown below.

$$Z = Z' \cdot \overline{R_m} \cdot \overline{R_{m-1}} \dots \cdot \overline{R_0}$$

When the execution result is 0,  $\overline{R_m} \cdot \overline{R_{m-1}} \dots \cdot \overline{R_0}$  (abbreviated to  $\overline{R_n}$  below) is 1. As the Z flag value for this instruction is the AND of  $\overline{R_n}$  and Z', when the execution result is 0, the Z flag value is held.

Notes: m = 31 (longword size), 15 (word-size), or 8 (byte-size)

R<sub>i</sub> = Bit I of result

Z' = Z flag value before instruction execution

## Applicable Products

Applicability	Series	Applicability	Series	Applicability	Series
Yes	Entire H8S Series		H8S/2655		H8S/2350
	H8S/2355		H8S/2357		H8S/2345
	H8S/2245		H8S/2148		H8S/2144
	H8S/2138		H8S/2134		H8S/2128
	H8S/2124	—	—	—	—

**Q&A No.:** QAH8S-009

---

**Category:** Instruction

---

**Subject:** BRN Instruction

---

## Question

What kind of instruction is BRN (BF)?

## Answer

The BRN instruction is useful as a replacement for a conditional branch instruction during debugging.

The operation of the BRN instruction is similar to that of the NOP instruction, but the instruction size and instruction execution time are different, as shown below.

Instruction		Instruction Size (Bytes)	Instruction Execution Time (States)
BRN	d:8	2	2*
	d:16	4	3*
NOP		2	1*

Note: \* When the instruction is fetched from on-chip ROM

Note: Like BRN, the BRA (BT) instruction is useful for debugging, etc.

## Applicable Products

Applicability	Series	Applicability	Series	Applicability	Series	
Yes	Entire H8S Series		H8S/2655		H8S/2350	
		H8S/2355		H8S/2357		H8S/2345
		H8S/2245		H8S/2148		H8S/2144
		H8S/2138		H8S/2134		H8S/2128
		H8S/2124	—	—	—	—

**Q&A No.:** QAH8S-010

---

**Category:** Instruction

---

**Subject:** Difference between BRA Instruction and JMP Instruction

---

## Question

What is the difference between the BRA (BT) instruction and the JMP instruction?

## Answer

With the BRA instruction, a branch is made on the basis of the address at which the BRA instruction is located, whereas with the JMP instruction, the branch address is specified indirectly. The differences between these two instructions are summarized below.

- With the BRA instruction, the branching range is limited to +127 bytes to -128 bytes for d:8, and +32767 bytes to -32768 bytes for d:16.
- With the BRA instruction, program relocation is possible if the relative value with respect to the branch destination is changed.
- The instruction length and number of execution states are different. for these two instructions.

## Applicable Products

Applicability	Series	Applicability	Series	Applicability	Series
Yes	Entire H8S Series		H8S/2655		H8S/2350
	H8S/2355		H8S/2357		H8S/2345
	H8S/2245		H8S/2148		H8S/2144
	H8S/2138		H8S/2134		H8S/2128
	H8S/2124	—	—	—	—

**Q&A No.:** QAH8S-011

---

**Category:** Instruction

---

**Subject:** BRA and BRN Instructions

---

## Questions

1. What does it mean when the BRA (BT) instruction condition is true?
2. What does it mean when the BRN (BF) instruction condition is false?

## Answers

1. Since the BRA instruction always branches (Always), this means that the branch condition is always true.
2. Since the BRN instruction never branches (Never), this means that the branch condition is always false.

## Applicable Products

<b>Applicability</b>	<b>Series</b>	<b>Applicability</b>	<b>Series</b>	<b>Applicability</b>	<b>Series</b>
Yes	Entire H8S Series		H8S/2655		H8S/2350
	H8S/2355		H8S/2357		H8S/2345
	H8S/2245		H8S/2148		H8S/2144
	H8S/2138		H8S/2134		H8S/2128
	H8S/2124	—	—	—	—



**Q&A No.:** QAH8S-012

---

**Category:** Instruction

---

**Subject:** Support of DAA (DAS) Instruction Corresponding to INC (DEC) Instruction

---

## Questions

1. The DAA instruction is used for an add instruction (ADD instruction). What operation is performed if a DAA instruction is executed after an INC instruction?
2. The DAS instruction is used for a subtract instruction (SUB instruction). What operation is performed if a DAS instruction is executed after a DEC instruction?

## Answers

1. Use of the DAA instruction after execution of an INC instruction is not supported. This is because the operation result is indicated by the C and H flags after an INC instruction is executed. To decrement decimal data, add -1 with an ADD instruction (ADD.B #-1, Rd), then execute a DAA instruction.
2. Use of the DAS instruction after execution of a DEC instruction is not supported. This is because the operation result is indicated by the C and H flags after a DEC instruction is executed. To decrement decimal data, add 1 with an ADD instruction (ADD.B #1, Rd), then invert the C and H flags (XORC #A0, CCR) and execute a DAS instruction.

Note: However, the actual operation is determined by the flag statuses.

## Applicable Products

Applicability	Series	Applicability	Series	Applicability	Series
Yes	Entire H8S Series		H8S/2655		H8S/2350
	H8S/2355		H8S/2357		H8S/2345
	H8S/2245		H8S/2148		H8S/2144
	H8S/2138		H8S/2134		H8S/2128
	H8S/2124	—	—	—	—

**Q&A No.:** QAH8S-013

---

**Category:** Instruction

---

**Subject:** Odd Address Value when STC Instruction is Executed

---

## Question

The manual states that when the STC instruction is executed, the CCR value is stored in the (register-indirect) even address. What is the value in the odd address?

## Answer

The value is undefined.

## Applicable Products

Applicability	Series	Applicability	Series	Applicability	Series
Yes	Entire H8S Series		H8S/2655		H8S/2350
	H8S/2355		H8S/2357		H8S/2345
	H8S/2245		H8S/2148		H8S/2144
	H8S/2138		H8S/2134		H8S/2128
	H8S/2124	—	—	—	—

**Q&A No.:** QAH8S-014

---

**Category:** Instruction

---

**Subject:** Stack Precautions

---

## Question

Are any precautions required concerning the stacking method?

## Answer

The CPU always uses word-size or longword-size access to the stack area. Setting the SP (stack pointer) to an odd value may result in misoperation. The PUSH, POP, STM, and LDM instructions should be used for stacking.

The initial value of the stack pointer is undefined, and must be set by the user.

## Applicable Products

Applicability	Series	Applicability	Series	Applicability	Series
Yes	Entire H8S Series		H8S/2655		H8S/2350
	H8S/2355		H8S/2357		H8S/2345
	H8S/2245		H8S/2148		H8S/2144
	H8S/2138		H8S/2134		H8S/2128
	H8S/2124	—	—	—	—

**Q&A No.:** QAH8S-015

**Category:** Instruction

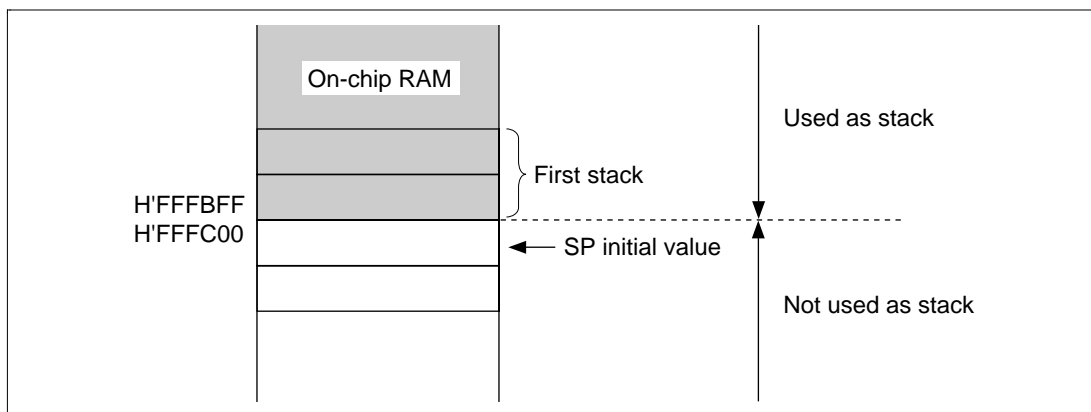
**Subject:** Stack Pointer

## Question

How should the stack pointer (SP: ER7) be initialized?

## Answer

To reserve the stack after the end of on-chip RAM, for example, set the initial value of the stack pointer as 1 greater than the last address of on-chip RAM.



**Initial Set Value of Stack Pointer (Addresses Are for H8S/2655 Series)**

## Applicable Products

Applicability	Series	Applicability	Series	Applicability	Series
Yes	Entire H8S Series	H8S/2655	H8S/2350		
	H8S/2355	H8S/2357	H8S/2345		
	H8S/2245	H8S/2148	H8S/2144		
	H8S/2138	H8S/2134	H8S/2128		
	H8S/2124	—	—	—	—

**Q&A No.:** QAH8S-016

---

**Category:** Instruction

---

**Subject:** TAS Instruction

---

## Question

What is the meaning of the test and set instruction (TAS)?

## Answer

The TAS instruction test memory contents, then sets the most significant bit (bit 7) to 1. This is a read-modify-write instruction, and the bus cannot be released during these operations.

## Applicable Products

Applicability	Series	Applicability	Series	Applicability	Series
Yes	Entire H8S Series		H8S/2655		H8S/2350
	H8S/2355		H8S/2357		H8S/2345
	H8S/2245		H8S/2148		H8S/2144
	H8S/2138		H8S/2134		H8S/2128
	H8S/2124	—	—	—	—

**Q&A No.:** QAH8S-017

---

**Category:** Instruction

---

**Subject:** BLD and BIST Instructions

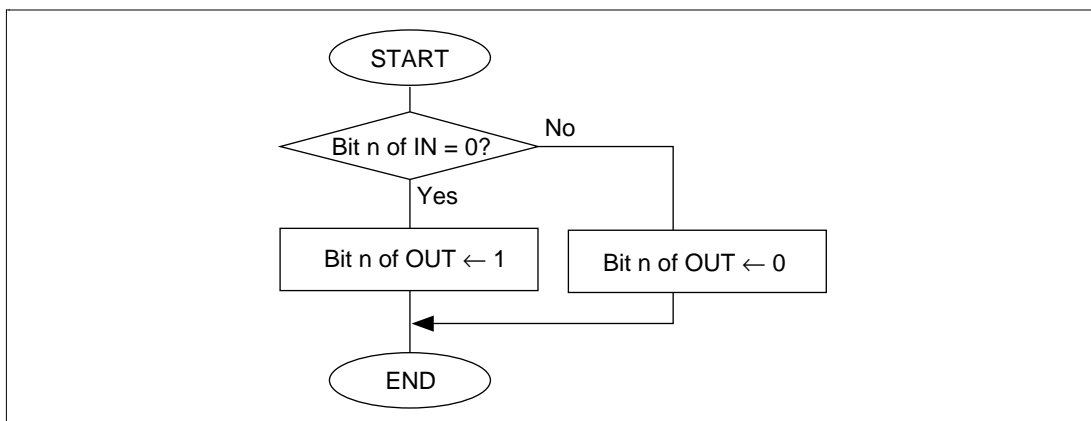
---

## Question

How are bit-manipulation instructions such as BLD and BIST used?

## Answer

These instructions can be used to invert any bit data in memory, and store the value in a bit of another memory address, as shown in the flowchart below.



### Using BLD and BIST

BLD #n,@IN  
BIST #m,@OUT

### Not Using BLD and BIST

BTST #n,@IN  
BNE L1  
BSET #n,@OUT  
BRA L2  
L1: BCLR #n,@OUT  
L2:

---

8 bytes/7 states

16 bytes/11 states

---

# Microcomputer Technical Q&A

---

## Applicable Products

Applicability	Series	Applicability	Series	Applicability	Series
Yes	Entire H8S Series		H8S/2655		H8S/2350
	H8S/2355		H8S/2357		H8S/2345
	H8S/2245		H8S/2148		H8S/2144
	H8S/2138		H8S/2134		H8S/2128
	H8S/2124	—	—	—	—

**Q&A No.:** QAH8S-018

**Category:** Instruction

**Subject:** BOR and BIAND Instructions

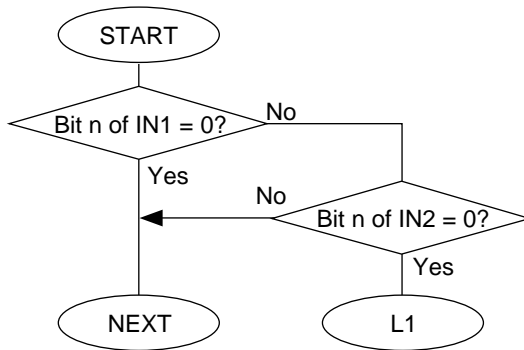
## Question

How are bit-manipulation instructions such as BOR and BIAND used?

## Answer

These instructions are used to branch after looking at a number of flags. An example of their use is shown below.

Example: To branch to L1 when IN1 flag = 1 and IN2 flag = 0



### Using BOR/BIAND

BLD #n, @IN1  
 BIAND #m, @IN2  
 BCS L1

### Not Using BOR/BIAND

BTST #n, @IN1  
 BNQ NEXT  
 BSET #m, @IN2  
 BNE NEXT  
 BRA L1

NEXT:

10 bytes/8 states

14 bytes/10 states



# Microcomputer Technical Q&A

---

## Applicable Products

Applicability	Series	Applicability	Series	Applicability	Series
Yes	Entire H8S Series		H8S/2655		H8S/2350
	H8S/2355		H8S/2357		H8S/2345
	H8S/2245		H8S/2148		H8S/2144
	H8S/2138		H8S/2134		H8S/2128
	H8S/2124	—	—	—	—

**Q&A No.:** QAH8S-019

---

**Category:** MCU Operating Modes

---

**Subject:** Mode Pins

---

## Questions

1. Is it possible to change the MCU operating mode during normal operation?
2. Is there any way of fixing the MCU operating mode (preventing a change of MCU operating mode due to noise, etc.)?

## Answers

1. The MCU operating mode cannot be changed during normal operation, as this would cause misoperation.
2. Read the memory control register (MDCR). When MDCR is read, the input levels of the mode pins (MD2 to MD0)<sup>\*1</sup> are latched in the corresponding bits. As these latches are cleared by a power-on reset but not by a manual reset<sup>\*2</sup>, a change of MCU operating mode during operation can be prevented in this way.

Notes: 1. In the H8S/2100 Series, the mode pins are MD1 and MD0.  
2. There is no manual reset in the H8S/2100 Series.

## Applicable Products

Applicability	Series	Applicability	Series	Applicability	Series
Yes	Entire H8S Series		H8S/2655		H8S/2350
	H8S/2355		H8S/2357		H8S/2345
	H8S/2245		H8S/2148		H8S/2144
	H8S/2138		H8S/2134		H8S/2128
	H8S/2124	—	—	—	—

**Q&A No.:** QAH8S-020

---

**Category:** MCU Operating Modes

---

**Subject:** Use of RAME Bit

---

## Question

How is the RAME bit used?

## Answer

The RAME bit is used for on-chip RAM protection, etc. Since CPU operation is halted asynchronously in hardware standby mode, there is a risk of losing the on-chip RAM contents. On-chip RAM contents can be protected by disabling the on-chip RAM with the RAME bit before processing is executed.

Also, the same addresses can be overlapped internally and externally by disabling RAM.

## Applicable Products

Applicability	Series	Applicability	Series	Applicability	Series
Yes	Entire H8S Series		H8S/2655		H8S/2350
	H8S/2355		H8S/2357		H8S/2345
	H8S/2245		H8S/2148		H8S/2144
	H8S/2138		H8S/2134		H8S/2128
	H8S/2124	—	—	—	—

**Q&A No.:** QAH8S-021

**Category:** Exception Handling

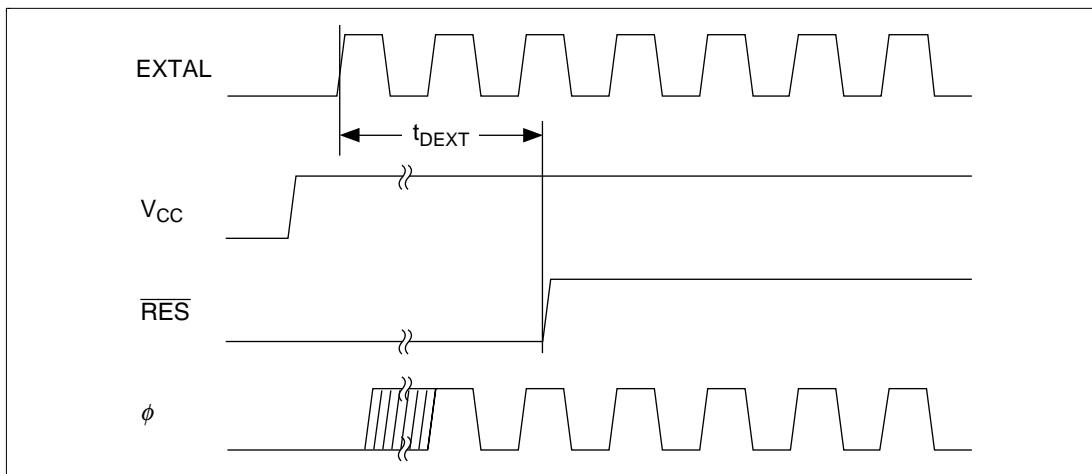
**Subject:** Reset

## Question

A reset time of at least 20 ms is specified. Does this also apply when an external clock is used?

## Answer

No, this specification does not apply in the case of an external clock. When an external clock is used, the reset time should be at least 500  $\mu\text{s}$ . A reset of at least the length of the external clock output settling delay time ( $t_{\text{DEXT}} = 500 \mu\text{s}$ ) is necessary to allow the clock output to stabilize (see figure below).



**Oscillation Settling Timing**

# Microcomputer Technical Q&A

---

## Applicable Products

Applicability	Series	Applicability	Series	Applicability	Series
Yes	Entire H8S Series		H8S/2655		H8S/2350
	H8S/2355		H8S/2357		H8S/2345
	H8S/2245		H8S/2148		H8S/2144
	H8S/2138		H8S/2134		H8S/2128
	H8S/2124	—	—	—	—

**Q&A No.:** QAH8S-022

---

**Category:** Interrupts

---

**Subject:** Handling of Interrupt Requests when IRQ Interrupts are Disabled

---

## Question

Is an IRQn interrupt request held pending if generated while the IRQnE bit is cleared to 0 in the IRQ enable register (IER)?

## Answer

Yes. When the signal specified in the IRQ sense control register (ISCR) is input to the  $\overline{\text{IRQn}}$  pin, IRQnF (the IRQn flag) is set to 1 in the IRQ status register (ISR). This does not depend on the status of the IRQnE bit. If the IRQnE bit is set to 1 while IRQnF is set to 1, an interrupt is requested. IRQnF can be cleared to 0 by software.

## Applicable Products

Applicability	Series	Applicability	Series	Applicability	Series
Yes	Entire H8S Series		H8S/2655		H8S/2350
	H8S/2355		H8S/2357		H8S/2345
	H8S/2245		H8S/2148		H8S/2144
	H8S/2138		H8S/2134		H8S/2128
	H8S/2124	—	—	—	—

**Q&A No.:** QAH8S-023

---

**Category:** Interrupts

---

**Subject:** Handling of Interrupt Requests when Interrupts are Masked

---

## Question

Is an IRQnF interrupt request held pending if generated when interrupts are masked by the I and UI bits, or bits I2 to I0, in the condition code register (CCR)?

## Answer

Yes. IRQnF is independent of the status of the I and UI bits. If interrupt masking is released while the IRQnF and IRQnE bits are set to 1, the interrupt will be accepted.

## Applicable Products

Applicability	Series	Applicability	Series	Applicability	Series
Yes	Entire H8S Series		H8S/2655		H8S/2350
	H8S/2355		H8S/2357		H8S/2345
	H8S/2245		H8S/2148		H8S/2144
	H8S/2138		H8S/2134		H8S/2128
	H8S/2124	—	—	—	—

**Q&A No.:** QAH8S-024

---

**Category:** Interrupts

---

**Subject:** Use of IRQ Status Register

---

## Question

The IRQ status register (ISR) can be cleared to 0 by the user. When is this register used?

## Answer

The IRQ status register is cleared to 0 automatically. Therefore, the user consciously clears this register in the following cases:

- In level sensing
- If there is a risk of generation of an unwanted interrupt before interrupts are enabled (e.g. during initialization or when pin connections are changed), total clearing can be performed directly before enabling interrupts
- When IRQ status register bits are used as flags, without enabling interrupts
- When multiplication interrupts are generated, to execute only high-priority processing, and not low-priority processing

## Applicable Products

Applicability	Series	Applicability	Series	Applicability	Series
Yes	Entire H8S Series		H8S/2655		H8S/2350
	H8S/2355		H8S/2357		H8S/2345
	H8S/2245		H8S/2148		H8S/2144
	H8S/2138		H8S/2134		H8S/2128
	H8S/2124	—	—	—	—



**Q&A No.:** QAH8S-025

---

**Category:** Interrupts

---

**Subject:** Interrupt Disable Timing (1)

---

## Question

When a supporting module interrupt enable bit is cleared to 0, is the interrupt disabled immediately?

## Answer

The interrupt is disabled after execution of the instruction that clears the interrupt enable bit to 0. However, if an interrupt request is generated during execution of the 0-clearing instruction, the interrupt request may be accepted after execution of that instruction.

## Applicable Products

Applicability	Series	Applicability	Series	Applicability	Series
Yes	Entire H8S Series		H8S/2655		H8S/2350
	H8S/2355		H8S/2357		H8S/2345
	H8S/2245		H8S/2148		H8S/2144
	H8S/2138		H8S/2134		H8S/2128
	H8S/2124	—	—	—	—

**Q&A No.:** QAH8S-026

---

**Category:** Interrupts

---

**Subject:** Interrupt Disable Timing (2)

---

## Question

When an interrupt enable bit is cleared to 0 in the IRQ enable register (IER), is the interrupt disabled immediately?

## Answer

The interrupt is disabled after execution of the instruction that clears the interrupt enable bit to 0. If an interrupt request is generated during execution of the 0-clearing instruction, since the request signal is cleared in the same way as the enable bit, the interrupt request will not be accepted after execution of the instruction. However, since the IRQn flag is held, the interrupt request will be accepted if the corresponding interrupt enable bit is then set to 1.

## Applicable Products

Applicability	Series	Applicability	Series	Applicability	Series
Yes	Entire H8S Series		H8S/2655		H8S/2350
	H8S/2355		H8S/2357		H8S/2345
	H8S/2245		H8S/2148		H8S/2144
	H8S/2138		H8S/2134		H8S/2128
	H8S/2124	—	—	—	—

**Q&A No.:** QAH8S-027

---

**Category:** Interrupts

---

**Subject:** Interrupt Immediately after Reset

---

## Question

Is an interrupt ever generated immediately after a reset?

## Answer

No, never. Immediately after a reset, all interrupts, including NMI, are disabled. However, NMI is accepted when the first instruction of the program is executed.

## Applicable Products

Applicability	Series	Applicability	Series	Applicability	Series
Yes	Entire H8S Series		H8S/2655		H8S/2350
	H8S/2355		H8S/2357		H8S/2345
	H8S/2245		H8S/2148		H8S/2144
	H8S/2138		H8S/2134		H8S/2128
	H8S/2124	—	—	—	—

**Q&A No.:** QAH8S-028

---

**Category:** Interrupts

---

**Subject:** Simultaneous  $\overline{\text{IRQ}}$  Interrupts of the Same Priority

---

## Questions

1. With external interrupts, if interrupts within the group with the same priority ( $\overline{\text{IRQ4}}$  to  $\overline{\text{IRQ7}}$ ) are generated simultaneously (e.g.  $\overline{\text{IRQ4}}$  and  $\overline{\text{IRQ7}}$ ), which has priority?
2. What will happen if an  $\overline{\text{IRQ4}}$  interrupt is generated in the  $\overline{\text{IRQ7}}$  interrupt handling routine? (Is  $\overline{\text{IRQ4}}$  held pending, or is  $\overline{\text{IRQ4}}$  handling given priority?)

## Answers

1. The priority order within the  $\overline{\text{IRQ4}}$  to  $\overline{\text{IRQ7}}$  interrupt group is:  $\overline{\text{IRQ4}} > \overline{\text{IRQ5}} > \overline{\text{IRQ6}} > \overline{\text{IRQ7}}$ .
2. The  $\overline{\text{IRQ7}}$  interrupt is accepted first. If interrupts are enabled in the  $\overline{\text{IRQ7}}$  handling routine immediately after the  $\overline{\text{IRQ7}}$  interrupt is accepted, interrupts  $\overline{\text{IRQ4}}$  to  $\overline{\text{IRQ7}}$  can then be accepted. If interrupts are not enabled in the  $\overline{\text{IRQ7}}$  handling routine, these interrupts can be accepted after returning from the  $\overline{\text{IRQ7}}$  handling routine.

## Applicable Products

Applicability	Series	Applicability	Series	Applicability	Series
Yes	Entire H8S Series		H8S/2655		H8S/2350
	H8S/2355		H8S/2357		H8S/2345
	H8S/2245		H8S/2148		H8S/2144
	H8S/2138		H8S/2134		H8S/2128
	H8S/2124	—	—	—	—

**Q&A No.:** QAH8S-029

---

**Category:** Interrupts

---

**Subject:** Use of Different Interrupt Modes

---

## Question

There are four interrupt control modes. How are these different modes used?

## Answer

Modes 0 and 1 are compatible with the H8/300 Series and/or H8/300H Series. Guidelines for mode selection are given below.

- Mode 0  
Controlled by the I bit; useful when multiple interrupts are not used. If multiple interrupts are not used, the size of the stack, etc., can be limited.  
Compatible with the H8/300 Series and H8/300H Series.
- Mode 1  
Controlled by the I and UI bits. ICR can be handled easily as longword data, enabling ICR settings to be made at the start of an interrupt routine.  
EXR is not used, enabling the stack size to be limited.  
Compatible with the H8/300H Series.
- Mode 2  
Enables 8-level multiple interruption to be controlled at high speed.

Note: Interrupt control modes differ from product to product; see the relevant hardware manual for details.

# Microcomputer Technical Q&A

---

## Applicable Products

<b>Applicability</b>	<b>Series</b>	<b>Applicability</b>	<b>Series</b>	<b>Applicability</b>	<b>Series</b>
Yes	Entire H8S Series		H8S/2655		H8S/2350
	H8S/2355		H8S/2357		H8S/2345
	H8S/2245		H8S/2148		H8S/2144
	H8S/2138		H8S/2134		H8S/2128
	H8S/2124	—	—	—	—

**Q&A No.:** QAH8S-030

---

**Category:** Interrupts

---

**Subject:** Insufficient Number of External Interrupts

---

## Question

Can any substitution method be used if more external interrupts are needed?

## Answer

TPU input capture can be used as a substitute.

An unused TPU timer general register (TGR) is set to input capture. When the designated edge is input at the TIOC input, the TGR flag is set and an input capture interrupt is generated. This can be used in the same way as an edge-input IRQ.

16-bit free-running timer (FRT) input capture input can also be used in the same way.

## Applicable Products

Applicability	Series	Applicability	Series	Applicability	Series
	Entire H8S Series	Yes	H8S/2655	Yes	H8S/2350
Yes	H8S/2355	Yes	H8S/2357	Yes	H8S/2345
Yes	H8S/2245		H8S/2148		H8S/2144
	H8S/2138		H8S/2134		H8S/2128
	H8S/2124	—	—	—	—

**Q&A No.:** QAH8S-031

---

**Category:** Bus Controller

---

**Subject:**  $\overline{CS}$  State in On-Chip RAM and Internal I/O Access

---

## Question

Is the chip select signal ( $\overline{CS7}$ ) output when on-chip memory or an internal I/O register (area 7) is accessed in advanced mode?

## Answer

No, the chip select signal ( $\overline{CS7}$ ) is not output in internal I/O register access, and a chip select signal is not output in on-chip memory access.

## Applicable Products

Applicability	Series	Applicability	Series	Applicability	Series
	Entire H8S Series	Yes	H8S/2655	Yes	H8S/2350
Yes	H8S/2355	Yes	H8S/2357		H8S/2345
	H8S/2245		H8S/2148		H8S/2144
	H8S/2138		H8S/2134		H8S/2128
	H8S/2124	—	—	—	—



**Q&A No.:** QAH8S-032

---

**Category:** Bus Controller

---

**Subject:**  $\phi$  Clock State when Bus is Released

---

## Question

Is the  $\phi$  clock output when the bus is released?

## Answer

If the corresponding port data direction register (DDR) bit is set to 1 and the PSTOP bit in the system control register (SYSCR) is cleared to 0, the  $\phi$  clock is output when the bus is released.

## Applicable Products

Applicability	Series	Applicability	Series	Applicability	Series
	Entire H8S Series	Yes	H8S/2655	Yes	H8S/2350
Yes	H8S/2355	Yes	H8S/2357	Yes	H8S/2345
Yes	H8S/2245		H8S/2148		H8S/2144
	H8S/2138		H8S/2134		H8S/2128
	H8S/2124	—	—	—	—

**Q&A No.:** QAH8S-033

**Category:** Bus Controller

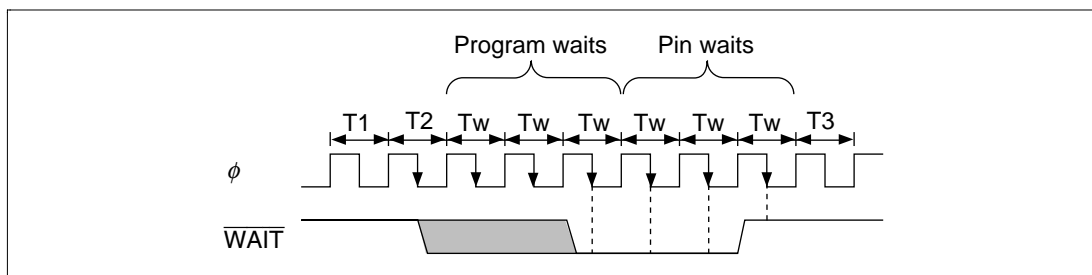
**Subject:**  $\overline{\text{WAIT}}$  (1)

## Question

When programmable waits are inserted and the pin wait function is also used, by what point should the  $\overline{\text{WAIT}}$  pin level be settled?

## Answer

The  $\overline{\text{WAIT}}$  pin level should be settled by the fall of  $\phi$  in the last T2 or Tw state.



**Wait State Insertion Timing**

## Applicable Products

Applicability	Series	Applicability	Series	Applicability	Series
Yes	Entire H8S Series		H8S/2655		H8S/2350
	H8S/2355		H8S/2357		H8S/2345
	H8S/2245		H8S/2148		H8S/2144
	H8S/2138		H8S/2134		H8S/2128
	H8S/2124	—	—	—	—

**Q&A No.:** QAH8S-034

**Category:** Bus Controller

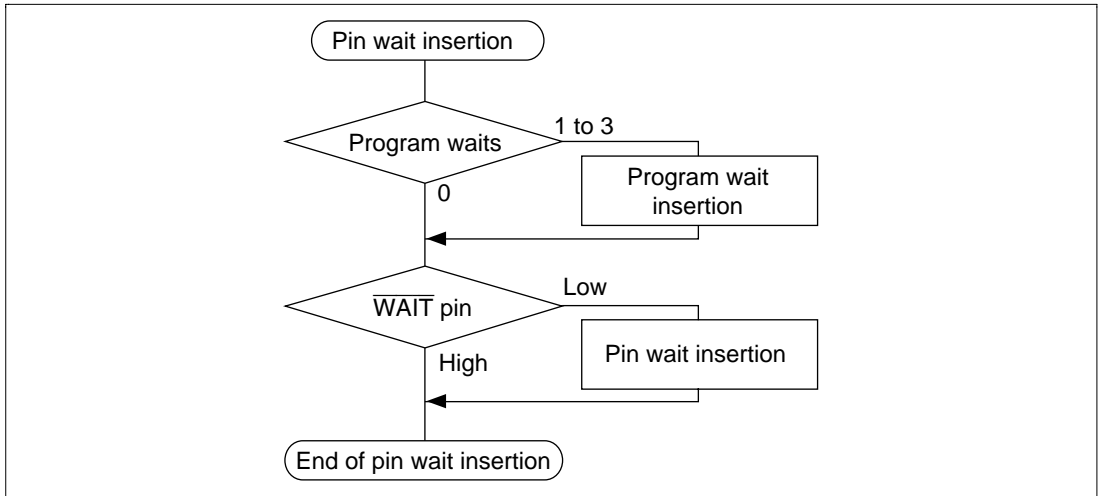
**Subject:**  $\overline{\text{WAIT}}$  (2)

## Question

The description of the pin wait function states that “program waits are inserted first.” Are program waits inserted irrespective of the wait control register (WCR) setting?

## Answer

As stated in the manual, with pin waits, program waits are inserted in accordance with the WCR setting, followed by pin wait insertion with reference to the  $\overline{\text{WAIT}}$  pin. A flowchart of pin wait insertion is shown below.



**Pin Wait Insertion Flowchart**

# Microcomputer Technical Q&A

---

## Applicable Products

<b>Applicability</b>	<b>Series</b>	<b>Applicability</b>	<b>Series</b>	<b>Applicability</b>	<b>Series</b>
Yes	Entire H8S Series		H8S/2655		H8S/2350
	H8S/2355		H8S/2357		H8S/2345
	H8S/2245		H8S/2148		H8S/2144
	H8S/2138		H8S/2134		H8S/2128
	H8S/2124	—	—	—	—

**Q&A No.:** QAH8S-035

**Category:** Bus Controller

**Subject:** Program Wait Switchover Timing

## Question


After a power-on reset, 3 program wait states are inserted in an external access cycle, making a 6-state access. When external 3-state access is set, what is the switchover timing?

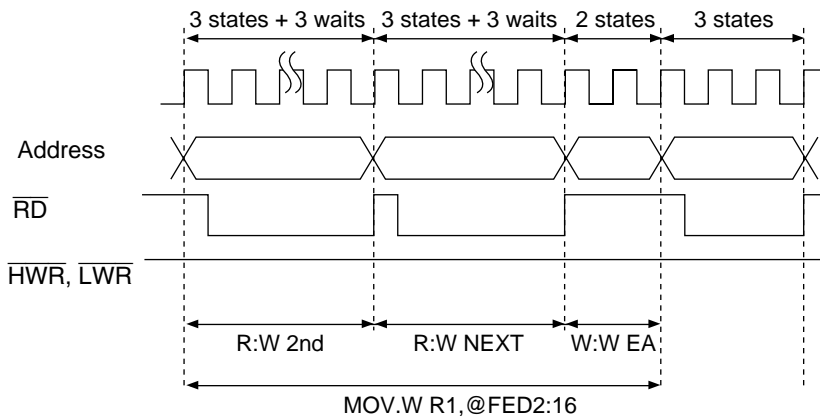
## Answer

The switchover is made immediately after the wait control register (WCRH) is set. To set external 3-state access after a power-on reset, clear the Wn0 and Wn1 bits in WCR to 0.

An example of the switchover timing when waits are disabled by clearing all WCR bits to 0 with a MOV instruction is shown below.

Example: `MOV.W R1,@H'FED2:16`


  
 WCRH (address H'FED2), WCRL (address H'FED3) (assuming 0 is stored in R1)



# Microcomputer Technical Q&A

---

## Applicable Products

<b>Applicability</b>	<b>Series</b>	<b>Applicability</b>	<b>Series</b>	<b>Applicability</b>	<b>Series</b>
Yes	Entire H8S Series		H8S/2655		H8S/2350
	H8S/2355		H8S/2357		H8S/2345
	H8S/2245		H8S/2148		H8S/2144
	H8S/2138		H8S/2134		H8S/2128
	H8S/2124	—	—	—	—

**Q&A No.:** QAH8S-036

---

**Category:** Bus Controller

---

**Subject:**  $\overline{\text{BREQ}}$  Acceptance in Power-Down Modes

---

## Questions

1. Is  $\overline{\text{BREQ}}$  accepted in sleep mode?
2. Is  $\overline{\text{BREQ}}$  accepted in hardware standby mode or software standby mode?

## Answers

1. Yes. (However, in the H8S/2245 Series, H8S/2345 Series, and H8S/2355 Series,  $\overline{\text{BREQ}}$  is not accepted in sleep mode when all modules are stopped.)
2. No,  $\overline{\text{BREQ}}$  is not accepted in hardware standby mode or software standby mode.

## Applicable Products

Applicability	Series	Applicability	Series	Applicability	Series
	Entire H8S Series	Yes	H8S/2655	Yes	H8S/2350
Yes	H8S/2355	Yes	H8S/2357	Yes	H8S/2345
Yes	H8S/2245		H8S/2148		H8S/2144
	H8S/2138		H8S/2134		H8S/2128
	H8S/2124	—	—	—	—

**Q&A No.:** QAH8S-037

---

**Category:** Bus Controller

---

**Subject:** External Connection of RAM to 8-Bit-Access Space

---

## Question

When RAM is connected externally to 8-bit-access space, is the  $\overline{HWR}$  signal or the  $\overline{LWR}$  signal used for access?

## Answer

The  $\overline{HWR}$  signal is used.

## Applicable Products

Applicability	Series	Applicability	Series	Applicability	Series
	Entire H8S Series	Yes	H8S/2655	Yes	H8S/2350
Yes	H8S/2355	Yes	H8S/2357	Yes	H8S/2345
Yes	H8S/2245		H8S/2148		H8S/2144
	H8S/2138		H8S/2134		H8S/2128
	H8S/2124	—	—	—	—



**Q&A No.:** QAH8S-038

---

**Category:** Bus Controller

---

**Subject:** Bus Controller Settings for Area 7

---

## Question

Area 7 includes a mix of on-chip RAM and internal I/O registers. For which areas are the bus width and number of access states set in the bus controller valid?

## Answer

In area 7, the bus width and number of access states set in the bus controller are valid for areas other than on-chip RAM and internal I/O registers\*. The bus width and number of access states for on-chip RAM and on-chip supporting modules are fixed as shown in the table below.

Note: \* Depends on the product; see the relevant hardware manual for details.

### CPU bus Interface (Example of H8S/2655)

On-Chip Supporting Modules	On-Chip Modules		On-Chip Memory	
	Bus Width	Access	Bus Width	Access
A/D, TPU, 8-bit timers, WDT	16 bits	2 states	16 bits	1 state
Others	8 bits			

When the RAME bit is cleared to 0 in the system control register (SYSCR), on-chip RAM is disabled, and the area 7 settings are followed. In this case, the  $\overline{CS7}$  signal goes low for the area 7 RAM area.

# Microcomputer Technical Q&A

---

## Applicable Products

<b>Applicability</b>	<b>Series</b>	<b>Applicability</b>	<b>Series</b>	<b>Applicability</b>	<b>Series</b>
	Entire H8S Series	Yes	H8S/2655	Yes	H8S/2350
Yes	H8S/2355	Yes	H8S/2357		H8S/2345
	H8S/2245		H8S/2148		H8S/2144
	H8S/2138		H8S/2134		H8S/2128
	H8S/2124	—	—	—	—

**Q&A No.:** QAH8S-039

---

**Category:** Bus Controller

---

**Subject:** External Bus states during CPU Operation

---

## Questions

1. What is the state of the external buses during CPU internal processing?
2. What is the state of the external buses after  $\overline{\text{DREQ}}$  acceptance?
3. What is the state of the external buses after  $\overline{\text{BREQ}}$  acceptance?

## Answer

The states in cases 1 to 3 are summarized in the table below.

### Bus States during CPU Operation

No.	Bus State	Address Bus	Data Bus
1	During CPU internal processing	Held	High impedance
2	After $\overline{\text{DREQ}}$ acceptance	DMA address	DMA data
3	After $\overline{\text{BREQ}}$ acceptance	High impedance	High impedance

### Applicable Products

Applicability	Series	Applicability	Series	Applicability	Series
Yes	Entire H8S Series		H8S/2655		H8S/2350
	H8S/2355		H8S/2357		H8S/2345
	H8S/2245		H8S/2148		H8S/2144
	H8S/2138		H8S/2134		H8S/2128
	H8S/2124	—	—	—	—

**Q&A No.:** QAH8S-040

---

**Category:** Bus Controller

---

**Subject:** Internal I/O Register Access when Bus is Released

---

## Question

When the H8S/2000 CPU releases the bus to an external device, can the external device (bus master) access H8S Series internal registers?

## Answer

No, internal I/O registers cannot be accessed by an external device.

## Applicable Products

Applicability	Series	Applicability	Series	Applicability	Series
	Entire H8S Series	Yes	H8S/2655	Yes	H8S/2350
Yes	H8S/2355	Yes	H8S/2357	Yes	H8S/2345
Yes	H8S/2245		H8S/2148		H8S/2144
	H8S/2138		H8S/2134		H8S/2128
	H8S/2124	—	—	—	—

**Q&A No.:** QAH8S-041

---

**Category:** Bus Controller

---

**Subject:**  $\overline{\text{CS}}$  Signals after Power-On Reset

---

## Question

What is the state of the  $\overline{\text{CS}}$  signals after a power-on reset?

## Answer

After a power-on resets, all the  $\overline{\text{CS}}$  signals except  $\overline{\text{CS0}}$  are in the input state (in modes 1, 4, and 5). In expanded modes with on-chip ROM disabled, vectors and starts of programs should be located in area 0.

## Applicable Products

Applicability	Series	Applicability	Series	Applicability	Series
	Entire H8S Series	Yes	H8S/2655	Yes	H8S/2350
Yes	H8S/2355	Yes	H8S/2357	Yes	H8S/2345
Yes	H8S/2245		H8S/2148		H8S/2144
	H8S/2138		H8S/2134		H8S/2128
	H8S/2124	—	—	—	—

**Q&A No.:** QAH8S-042

---

**Category:** Bus Controller

---

**Subject:** Bus Release Wait Time after  $\overline{\text{BREQ}}$  Input

---

## Question

In what circumstances is there a long wait time from  $\overline{\text{BREQ}}$  input to  $\overline{\text{BACK}}$  output?

## Answer

A  $\overline{\text{BREQ}}$  request is held pending in the following cases:

- In DMAC data transfer in burst mode or block transfer mode
- In DTC data transfer
- When a wait is inserted in an external address access

## Applicable Products

Applicability	Series	Applicability	Series	Applicability	Series
	Entire H8S Series	Yes	H8S/2655	Yes	H8S/2350
Yes	H8S/2355	Yes	H8S/2357	Yes	H8S/2345
Yes	H8S/2245		H8S/2148		H8S/2144
	H8S/2138		H8S/2134		H8S/2128
	H8S/2124	—	—	—	—

**Q&A No.:** QAH8S-043

---

**Category:** Bus Controller

---

**Subject:** External Bus Right Release and Refresh Control

---

## Question

Are refresh requests held pending while the bus is released?

## Answer

If a refresh request is generated while the external bus right is released, refresh control is deferred until the external bus master cancels the bus request. Only one refresh request is held.

## Applicable Products

Applicability	Series	Applicability	Series	Applicability	Series
	Entire H8S Series	Yes	H8S/2655	Yes	H8S/2350
	H8S/2355	Yes	H8S/2357		H8S/2345
	H8S/2245		H8S/2148		H8S/2144
	H8S/2138		H8S/2134		H8S/2128
	H8S/2124	—	—	—	—

**Q&A No.:** QAH8S-044

---

**Category:** Bus Controller

---

**Subject:** 2-CAS DRAM Interface

---

## Question

Please explain the use of the LCASS bit with the 2-CAS DRAM interface.

## Answer

The LCASS bit in bus control register L (BCRL) selects whether the  $\overline{\text{LWR}}$  pin or the  $\overline{\text{LCAS}}$  pin is used for the  $\overline{\text{LCAS}}$  signal on the 2-CAS DRAM interface.

LCASS	Description
0	<p>The <math>\overline{\text{LCAS}}</math> pin is used for the 2-CAS DRAM interface <math>\overline{\text{LCAS}}</math> signal.</p> <ul style="list-style-type: none"><li>• More pins are needed for bus control. (<math>\overline{\text{BREQO}}</math> output and <math>\overline{\text{WAIT}}</math> input cannot be used.)</li><li>• RAS down mode can be used, and DRAM fast page mode can be used effectively.</li><li>• CBR refreshing can be performed in parallel with ordinary space access, limiting the drop in performance due to refreshing.</li><li>• An idle cycle is not necessary in CBR refreshing after DRAM access.</li><li>• Compatible with H8S/2350 Series</li></ul>
1	<p>The <math>\overline{\text{LWR}}</math> pin is used for the 2-CAS DRAM interface <math>\overline{\text{LCAS}}</math> signal. (Initial value)</p> <ul style="list-style-type: none"><li>• Fewer pins are needed for bus control. (<math>\overline{\text{BREQO}}</math> output and <math>\overline{\text{WAIT}}</math> input can be used.)</li><li>• RAS down mode cannot be used.</li><li>• Another ordinary space access cannot be performed during the CBR refresh period.</li><li>• An idle cycle is inserted in CBR refreshing after DRAM access.</li><li>• Not compatible with H8S/2350 Series</li></ul>

---

Clearing the LCASS bit to 0 and using the  $\overline{\text{LCAS}}$  pin for the  $\overline{\text{LCAS}}$  signal enables DRAM to be accessed efficiently.



# Microcomputer Technical Q&A

---

## Applicable Products

Applicability	Series	Applicability	Series	Applicability	Series
	Entire H8S Series	Yes	H8S/2655		H8S/2350
	H8S/2355		H8S/2357		H8S/2345
	H8S/2245		H8S/2148		H8S/2144
	H8S/2138		H8S/2134		H8S/2128
	H8S/2124	—	—	—	—

**Q&A No.:** QAH8S-045

---

**Category:** Power-Down State

---

**Subject:** Medium-Speed Mode

---

## Question

Why is it that, in medium-speed mode, a divided clock is supplied to the bus masters (CPU, DTC, DMAC), while the original system clock is supplied to the other on-chip supporting modules?

## Answer

The internal clock supplied to the on-chip supporting modules is always fixed. Therefore, if medium-speed mode is set during SCI transmission/reception, for example, SCI operation will continue normally even though the bus master clock is changed. Medium-speed mode can thus be set at any time without regard to the operation of the on-chip supporting modules.

Also, non-operating modules can be stopped individually by means of the module stop function.

## Applicable Products

<b>Applicability</b>	<b>Series</b>	<b>Applicability</b>	<b>Series</b>	<b>Applicability</b>	<b>Series</b>
Yes	Entire H8S Series		H8S/2655		H8S/2350
	H8S/2355		H8S/2357		H8S/2345
	H8S/2245		H8S/2148		H8S/2144
	H8S/2138		H8S/2134		H8S/2128
	H8S/2124	—	—	—	—

**Q&A No.:** QAH8S-046

---

**Category:** Power-Down State

---

**Subject:** Oscillation Settling Wait Time after Software Standby Mode

---

## Question

What are the pin states during the oscillation settling wait period after exiting software standby mode?

## Answer

The pin states during the oscillation settling wait period in this case are the same as for software standby mode. For details, see the appendix “Port States in Each Processing State” in the relevant hardware manual.

## Applicable Products

Applicability	Series	Applicability	Series	Applicability	Series
Yes	Entire H8S Series		H8S/2655		H8S/2350
	H8S/2355		H8S/2357		H8S/2345
	H8S/2245		H8S/2148		H8S/2144
	H8S/2138		H8S/2134		H8S/2128
	H8S/2124	—	—	—	—

**Q&A No.:** QAH8S-047

---

**Category:** Power-Down State

---

**Subject:** On-Chip Supporting Modules in Software Standby Mode

---

## Question

What is the state of the on-chip supporting modules in software standby mode?

## Answer

In the H8S Series, on-chip supporting module register contents are generally held in software standby mode, and the contents of these registers do not have to be set again when software standby mode is exited. However, some on-chip supporting modules are reset in software standby mode. See the relevant hardware manual for details.

Example: In the H8S/2655 Series, the SCI is reset but the states of the other on-chip supporting modules are held. (See table 21.1, Operating States, in section 21, Power-Down State, in the hardware manual.)

## Applicable Products

<b>Applicability</b>	<b>Series</b>	<b>Applicability</b>	<b>Series</b>	<b>Applicability</b>	<b>Series</b>
Yes	Entire H8S Series		H8S/2655		H8S/2350
	H8S/2355		H8S/2357		H8S/2345
	H8S/2245		H8S/2148		H8S/2144
	H8S/2138		H8S/2134		H8S/2128
	H8S/2124	—	—	—	—

**Q&A No.:** QAH8S-048

---

**Category:** Power-Down State

---

**Subject:** Mode Pins (MD2 to MD0) in Hardware Standby Mode

---

## Question

How does the microcomputer operate if the state of the mode pins (MD2 to MD0) is changed in hardware standby mode?

## Answer

Normal hardware standby mode operation will not be performed. In hardware standby mode, as in normal operation, the mode pins (MD2 to MD0) must not be changed.

## Applicable Products

Applicability	Series	Applicability	Series	Applicability	Series
Yes	Entire H8S Series		H8S/2655		H8S/2350
	H8S/2355		H8S/2357		H8S/2345
	H8S/2245		H8S/2148		H8S/2144
	H8S/2138		H8S/2134		H8S/2128
	H8S/2124	—	—	—	—

**Q&A No.:** QAH8S-049

---

**Category:** Power-Down State

---

**Subject:** Hardware Standby Mode at Power-On

---

## Question

How can hardware standby mode be entered at power-on?

## Answer

Drive the  $\overline{STBY}$  pin low at power-on.

Note: The mode pins (MD2 to MD0) must be set to the prescribed input state at this time.  
(In the H8S/2655 Series, at least one of pins MD2 to MD0 should be driven high, and one of modes 1 to 7 must be selected as the MCU operating mode.)

## Applicable Products

Applicability	Series	Applicability	Series	Applicability	Series
Yes	Entire H8S Series		H8S/2655		H8S/2350
	H8S/2355		H8S/2357		H8S/2345
	H8S/2245		H8S/2148		H8S/2144
	H8S/2138		H8S/2134		H8S/2128
	H8S/2124	—	—	—	—

**Q&A No.:** QAH8S-050

---

**Category:** Power-Down State

---

**Subject:** Module Stop Mode

---

## Question

When a write is performed on an 8-bit timer register, the value is not written. Why is this?

## Answer

Immediately after a reset, an H8S Series chip enters module stop mode to hold down current dissipation, and the internal I/O registers of the relevant modules cannot be read or written to. Module stop mode should be cleared in advance for on-chip supporting modules that are to be used.

## Applicable Products

Applicability	Series	Applicability	Series	Applicability	Series
Yes	Entire H8S Series		H8S/2655		H8S/2350
	H8S/2355		H8S/2357		H8S/2345
	H8S/2245		H8S/2148		H8S/2144
	H8S/2138		H8S/2134		H8S/2128
	H8S/2124	—	—	—	—

**Q&A No.:** QAH8S-051

---

**Category:** Power-Down State

---

**Subject:** Timer Output in Module Stop Mode

---

## Question

If module stop mode is set during output compare match output (TIOC output) by the TPU, what happens to this output?

## Answer

In module stop mode, the TPU stops, and the register contents and TIOC output state are held.

## Applicable Products

Applicability	Series	Applicability	Series	Applicability	Series
	Entire H8S Series	Yes	H8S/2655	Yes	H8S/2350
Yes	H8S/2355	Yes	H8S/2357	Yes	H8S/2345
Yes	H8S/2245		H8S/2148		H8S/2144
	H8S/2138		H8S/2134		H8S/2128
	H8S/2124	—	—	—	—



**Q&A No.:** QAH8S-052

---

**Category:** Electrical Characteristics

---

**Subject:** Current Dissipation Value

---

## Question

In the current dissipation entry in the H8S/2245 Series Electrical Characteristics section, there is an item for which three modes—sleep, all-module-stop, and medium-speed mode ( $\phi/32$ )—are combined into one. What is this?

## Answer

This indicates a state combining all software-controllable power-down states. When these three modes are combined, the current dissipation can be minimized.

## Applicable Products

Applicability	Series	Applicability	Series	Applicability	Series
	Entire H8S Series		H8S/2655		H8S/2350
	H8S/2355		H8S/2357		H8S/2345
Yes	H8S/2245		H8S/2148		H8S/2144
	H8S/2138		H8S/2134		H8S/2128
	H8S/2124	—	—	—	—

**Q&A No.:** QAH8S-053

**Category:** Electrical Characteristics

**Subject:**  $\overline{\text{RD}}$  Signal Timing

## Question

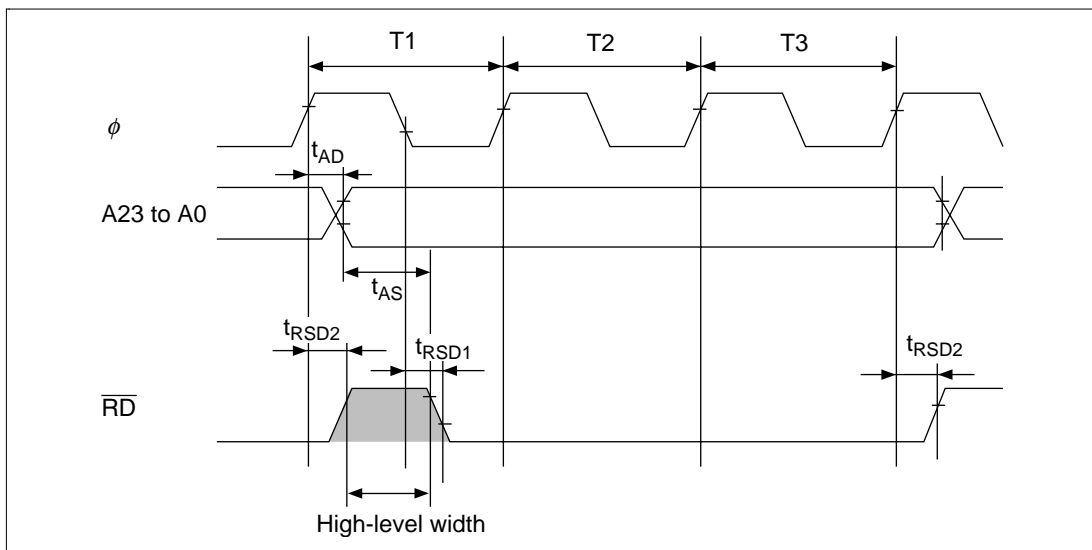
With successive read cycles, does the  $\overline{\text{RD}}$  signal go high momentarily when the bus cycle changes, or does it remain low?

## Answer

The  $\overline{\text{RD}}$  signal goes high momentarily. The  $\overline{\text{RD}}$  signal rise delay time  $t_{\text{RSD2}}$  and fall delay time  $t_{\text{RSD1}}$  are virtually the same ( $t_{\text{RSD1}} \approx t_{\text{RSD2}}$ ). Therefore, the high-level width of the  $\overline{\text{RD}}$  signal is as follows:

Since  $t_{\text{RSD1}} \approx t_{\text{RSD2}}$ ,

$$\begin{aligned} \overline{\text{RD}} \text{ signal high-level width} &= (t_{\text{cyc}}/2) + t_{\text{RSD1}} - t_{\text{RSD2}} \\ &\approx (t_{\text{cyc}}/2) \end{aligned}$$



**$\overline{\text{RD}}$  Signal Timing**

# Microcomputer Technical Q&A

---

## Applicable Products

<b>Applicability</b>	<b>Series</b>	<b>Applicability</b>	<b>Series</b>	<b>Applicability</b>	<b>Series</b>
Yes	Entire H8S Series		H8S/2655		H8S/2350
	H8S/2355		H8S/2357		H8S/2345
	H8S/2245		H8S/2148		H8S/2144
	H8S/2138		H8S/2134		H8S/2128
	H8S/2124	—	—	—	—

**Q&A No.:** QAH8S-054

---

**Category:** Pins

---

**Subject:** Handling of Unused Pins

---

## Question

How should unused pins be handled?

## Answer

For I/O ports and input ports, clear the DDR (data direction register) bits to 0 to set the input state, and pull each pin up or down individually with a resistance of approximately 10 k $\Omega$ .

## Applicable Products

Applicability	Series	Applicability	Series	Applicability	Series
Yes	Entire H8S Series		H8S/2655		H8S/2350
	H8S/2355		H8S/2357		H8S/2345
	H8S/2245		H8S/2148		H8S/2144
	H8S/2138		H8S/2134		H8S/2128
	H8S/2124	—	—	—	—

**Q&A No.:** QAH8S-055

---

**Category:** Pins

---

**Subject:**  $\overline{\text{RES}}$  Pin,  $\overline{\text{STBY}}$  Pin, and NMI Pin Input Circuits

---

## Question

What kind of circuits are the  $\overline{\text{RES}}$  pin,  $\overline{\text{STBY}}$  pin, and NMI pin input circuits?

## Answer

The  $\overline{\text{RES}}$  pin,  $\overline{\text{STBY}}$  pin, and NMI pin are Schmitt-trigger inputs. The signals are transferred internally via a noise canceler.

## Applicable Products

Applicability	Series	Applicability	Series	Applicability	Series
Yes	Entire H8S Series		H8S/2655		H8S/2350
	H8S/2355		H8S/2357		H8S/2345
	H8S/2245		H8S/2148		H8S/2144
	H8S/2138		H8S/2134		H8S/2128
	H8S/2124	—	—	—	—

**Q&A No.:** QAH8S-056

**Category:** Pins

**Subject:** Address Pin States in On-Chip Memory Access

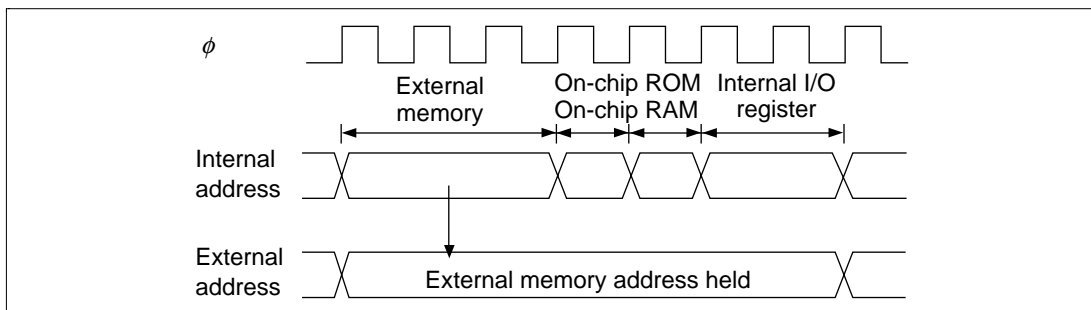
## Question

When on-chip ROM or on-chip RAM is accessed, is the on-chip ROM or on-chip RAM address output off-chip?

## Answer

When on-chip ROM, on-chip RAM, or an internal I/O register is accessed, the address bus retains its previous address value, and the on-chip ROM or on-chip RAM address value is not output off-chip (see figure below).

This is effective in reducing current dissipation and noise.



**Address Bus in On-Chip ROM, On-Chip RAM, and Internal I/O Register Access**

# Microcomputer Technical Q&A

---

## Applicable Products

Applicability	Series	Applicability	Series	Applicability	Series
Yes	Entire H8S Series		H8S/2655		H8S/2350
	H8S/2355		H8S/2357		H8S/2345
	H8S/2245		H8S/2148		H8S/2144
	H8S/2138		H8S/2134		H8S/2128
	H8S/2124	—	—	—	—

**Q&A No.:** QAH8S-057

---

**Category:** Pins

---

**Subject:** Built-In MOS Pull-Ups in Reset

---

## Question

Can built-in MOS pull-ups be turned on in the reset state?

## Answer

In a manual reset, I/O port states are held, and therefore built-in MOS pull-ups can be turned on. In a power-on reset, I/O ports are initialized, and therefore built-in MOS pull-up settings are cleared.

## Applicable Products

Applicability	Series	Applicability	Series	Applicability	Series
Yes	Entire H8S Series		H8S/2655		H8S/2350
	H8S/2355		H8S/2357		H8S/2345
	H8S/2245		H8S/2148		H8S/2144
	H8S/2138		H8S/2134		H8S/2128
	H8S/2124	—	—	—	—



**Q&A No.:** QAH8S-058

**Category:** Pins

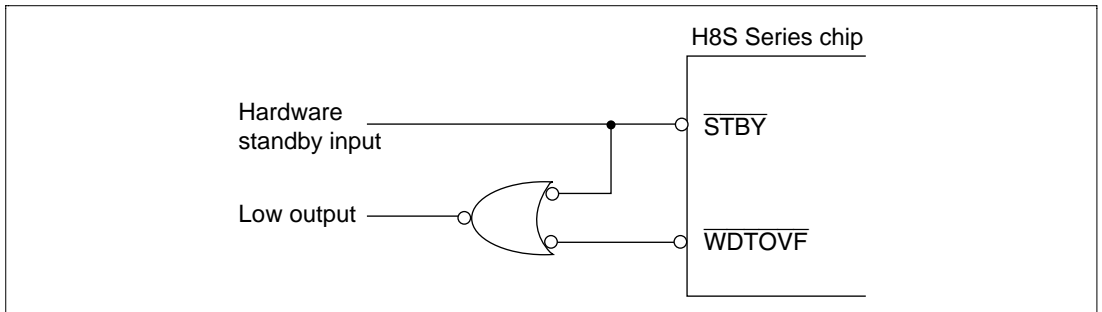
**Subject:**  $\overline{\text{WDTOVF}}$  Pin

## Questions

1. What is the state of the  $\overline{\text{WDTOVF}}$  pin in hardware standby mode?
2. The  $\overline{\text{WDTOVF}}$  pin is high during the hardware standby period. Please give an example of a circuit that drives this signal low.
3. What is the  $\overline{\text{WDTOVF}}$  pin output specification?

## Answers

1. In hardware standby mode, the  $\overline{\text{WDTOVF}}$  pin is high.
2. An example of a circuit that drives the  $\overline{\text{WDTOVF}}$  signal low during the hardware standby period is shown below.



**Sample  $\overline{\text{WDTOVF}}$  Signal Low-Level Output Circuit**

3. The  $\overline{\text{WDTOVF}}$  pin is a CMOS output pin.

# Microcomputer Technical Q&A

---

## Applicable Products

<b>Applicability</b>	<b>Series</b>	<b>Applicability</b>	<b>Series</b>	<b>Applicability</b>	<b>Series</b>
	Entire H8S Series	Yes	H8S/2655	Yes	H8S/2350
Yes	H8S/2355	Yes	H8S/2357	Yes	H8S/2345
Yes	H8S/2245		H8S/2148		H8S/2144
	H8S/2138		H8S/2134		H8S/2128
	H8S/2124	—	—	—	—

**Q&A No.:** QAH8S-201

---

**Category:** DMAC

---

**Subject:** Number of States between Transfers

---

## Question

A minimum of two states are necessary between the first DMAC transfer and the next. Why is this?

## Answer

When the DMAC is activated, the bus request signal is sent to the bus controller at the rise of the first clock, and enabling is accepted at the fall. At the rise of the next clock, a read/write request is sent to the bus controller. This operation requires two cycles = two states for the bus cycle.

## Applicable Products

Applicability	Series	Applicability	Series	Applicability	Series
	Entire H8S Series	Yes	H8S/2655	Yes	H8S/2350
	H8S/2355	Yes	H8S/2357		H8S/2345
	H8S/2245		H8S/2148		H8S/2144
	H8S/2138		H8S/2134		H8S/2128
	H8S/2124	—	—	—	—

**Q&A No.:** QAH8S-202

---

**Category:** DMAC

---

**Subject:** Maximum Transfer Rate

---

## Question

What is the maximum transfer rate for single address transfer?

## Answer

Two states are required for the DMAC activation wait, and two states for a two-word data transfer. Thus, at 20 MHz operation, the maximum transfer rate is  $16 \text{ bits} / (2t_{\text{cyc}} + 2t_{\text{cyc}}) \times 50 \text{ ns} = 10 \text{ Mbytes/s}$ .

## Applicable Products

Applicability	Series	Applicability	Series	Applicability	Series
	Entire H8S Series	Yes	H8S/2655	Yes	H8S/2350
	H8S/2355	Yes	H8S/2357		H8S/2345
	H8S/2245		H8S/2148		H8S/2144
	H8S/2138		H8S/2134		H8S/2128
	H8S/2124	—	—	—	—

**Q&A No.:** QAH8S-203

---

**Category:** DMAC

---

**Subject:** Difference between DMAC and DTC

---

## Question

What is the difference between the DMAC and the DTC?

## Answer

The DMAC has data transfer information registers within the module, and performs data transfer on up to four channels. The DMAC achieves a high transfer speed of 0.1  $\mu$ s (min.) per channel.

The DTC places transfer data information in on-chip RAM, and can perform transfer on up to 85 channels. The transfer speed is 0.65  $\mu$ s per channel. The DTC can perform chain transfer in which multiple data transfers are initiated by a single activation source.

Item	DMAC	DTC	Notes
Minimum transfer time	0.1 $\mu$ s	0.65 $\mu$ s	At 20 MHz operation
Transfer information	Dedicated registers	On-chip RAM	
Activation sources	13	28	H8S/2655
Transfer channels	4	85	
Chain transfer	No	Yes	

## Applicable Products

Applicability	Series	Applicability	Series	Applicability	Series
	Entire H8S Series	Yes	H8S/2655	Yes	H8S/2350
	H8S/2355	Yes	H8S/2357		H8S/2345
	H8S/2245		H8S/2148		H8S/2144
	H8S/2138		H8S/2134		H8S/2128
	H8S/2124	—	—	—	—

**Q&A No.:** QAH8S-204

**Category:** DMAC

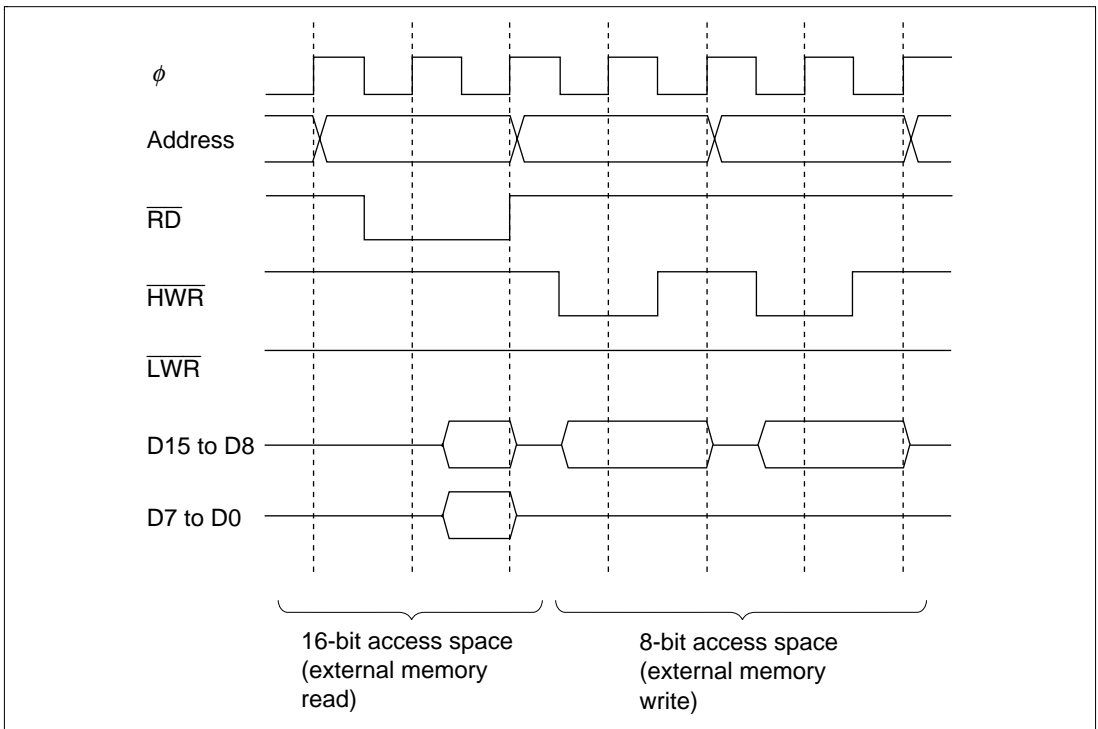
**Subject:** Alternate 8-Bit/16-Bit Space Accesses

## Question

Can data transfer be performed between 8-bit space and 16-bit space using the DMAC or DTC?

## Answer

Yes. As the input/output bus width is managed by the bus controller, as long as the bus width is set by the bus controller, the user can use the DMAC or DTC without having to be aware of the bus width.



**Timing of Data Transfer from 16-Bit Access Space to 8-Bit Access Space**

# Microcomputer Technical Q&A

---

## Applicable Products

Applicability	Series	Applicability	Series	Applicability	Series
	Entire H8S Series	Yes	H8S/2655	Yes	H8S/2350
	H8S/2355	Yes	H8S/2357		H8S/2345
	H8S/2245		H8S/2148		H8S/2144
	H8S/2138		H8S/2134		H8S/2128
	H8S/2124	—	—	—	—

**Q&A No.:** QAH8S-205

---

**Category:** DMAC

---

**Subject:** TEND Signal Output Conditions when Using Write Buffer Function

---

## Question

What are the TEND signal output conditions when the write buffer function is used?

## Answer

The TEND output signal goes low in an external bus cycle if either a DMAC read cycle or write cycle is an external access.

If a DMAC data transfer involves internal addresses, on the other hand, the TEND signal is not output while the external bus is used (during external bus release, an external write using the write buffer function, the DRAM refresh period, etc.). The TEND signal is output when the external bus is not in use.

DMAC TEND signal output is shown in the table below.

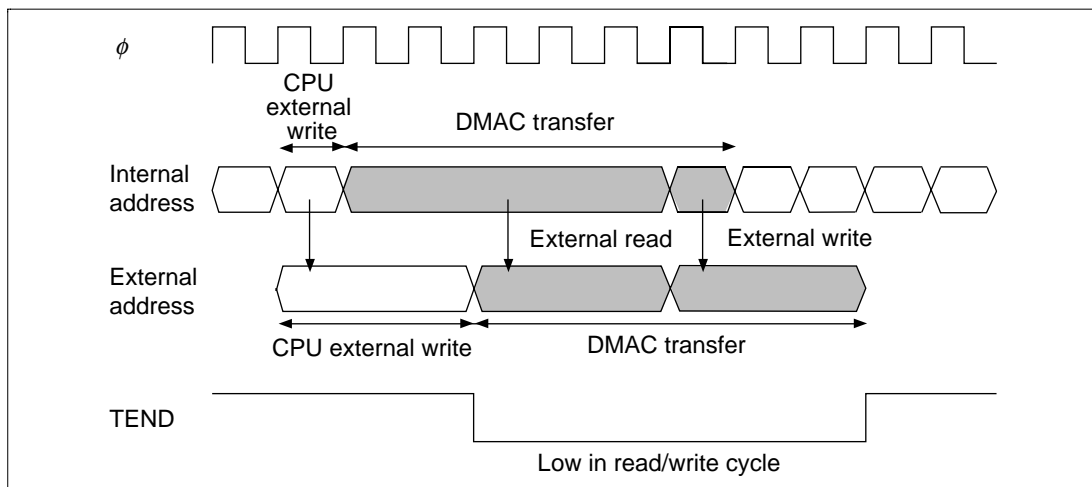
## DMAC TEND Signal Output

<b>DMAC Access Area</b>	<b>Read</b>	<b>Write</b>
External address → external address	O	O
Internal address → external address	Δ	O
External address → internal address	O	O
Internal address → internal address	Δ	Δ

Note: Δ : Output when external bus is not being used

O : Always output





**Example of External Address → External Address Transfer**

## Applicable Products

Applicability	Series	Applicability	Series	Applicability	Series
	Entire H8S Series	Yes	H8S/2655	Yes	H8S/2350
	H8S/2355	Yes	H8S/2357		H8S/2345
	H8S/2245		H8S/2148		H8S/2144
	H8S/2138		H8S/2134		H8S/2128
	H8S/2124	—	—	—	—

**Q&A No.:** QAH8S-206

---

**Category:** DMAC

---

**Subject:** Interrupt Acceptance After End of Transfer

---

## Question

After the transfer count register value reaches H'0000 and an end interrupt is generated while the DMAC is being used, when is the next transfer request accepted?

## Answer

The next transfer request is accepted when a bit is set to 1 by software in the data transfer control register (DTCR). When the transfer count register value reaches H'0000 and a transfer end interrupt is generated, the DTE bit is cleared and data transfer is disabled. To perform transfer again, make the transfer count register setting in the transfer end interrupt routine, then set the DTE bit to 1.

## Applicable Products

Applicability	Series	Applicability	Series	Applicability	Series
	Entire H8S Series	Yes	H8S/2655	Yes	H8S/2350
	H8S/2355	Yes	H8S/2357		H8S/2345
	H8S/2245		H8S/2148		H8S/2144
	H8S/2138		H8S/2134		H8S/2128
	H8S/2124	—	—	—	—

**Q&A No.:** QAH8S-207

---

**Category:** DMAC

---

**Subject:** Handling of Transfer Request before Start of Transfer

---

## Question

If a transfer request is generated before the DMAC starts transfer, is the request ignored?

## Answer

- If the activation source is an internal interrupt  
If the DTE bit is 0, a CPU interrupt is requested. When the DTE bit is set to 1 while that interrupt is masked by the CPU, an activation request is sent to the DMAC.
- If the activation source is an external request  
When edge-sensing is selected, the first activation after enabling is performed on detection of a low level, and therefore the request will not be ignored if the low level is held.

## Applicable Products

Applicability	Series	Applicability	Series	Applicability	Series
	Entire H8S Series	Yes	H8S/2655	Yes	H8S/2350
	H8S/2355	Yes	H8S/2357		H8S/2345
	H8S/2245		H8S/2148		H8S/2144
	H8S/2138		H8S/2134		H8S/2128
	H8S/2124	—	—	—	—

**Q&A No.:** QAH8S-208

**Category:** DMAC

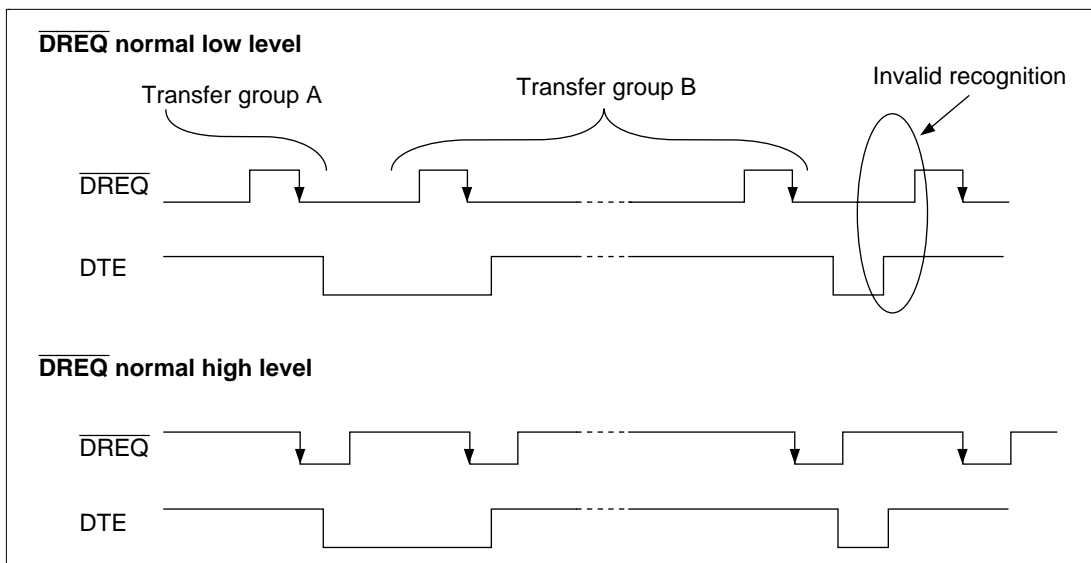
**Subject:** Activation Request Signal Detection

## Question

When the  $\overline{\text{DREQ}}$  pin is designated falling-edge input, why is the first transfer request performed at the low level?

## Answer

If a falling edge at the  $\overline{\text{DREQ}}$  pin were used for the first activation, it would not be possible to recognize a request at first when transfer is enabled ( $\text{DTE} = 1$ ) after the  $\overline{\text{DREQ}}$  signal falling edge. For this reason, the first activation after transfer is enabled is by low level detection.



**$\overline{\text{DREQ}}$  and DTE Timing Chart**

# Microcomputer Technical Q&A

---

## Applicable Products

Applicability	Series	Applicability	Series	Applicability	Series
	Entire H8S Series	Yes	H8S/2655	Yes	H8S/2350
	H8S/2355	Yes	H8S/2357		H8S/2345
	H8S/2245		H8S/2148		H8S/2144
	H8S/2138		H8S/2134		H8S/2128
	H8S/2124	—	—	—	—

**Q&A No.:** QAH8S-209

---

**Category:** DMAC

---

**Subject:** Short Address Mode and Full Address Mode

---

## Question

What is the difference between the DMAC's short address mode and full address mode?

## Answer

The DMAC requires specification of the source address and destination address in order to perform data transfer. In full address mode, both of these addresses are specified as 24-bit addresses, whereas in short address mode, one is specified as a 24-bit address and the other as a 16-bit address. H'FF is written in the upper 8 bits of the 16-bit address. In short address mode, whether the 16-bit specification is to be used for the source or the destination address can be selected with a register setting.

If transfer is to be performed by means of internal interrupts in full address mode, setting a block size of 1 in block transfer mode results in the same operation as for sequential mode in short address mode.

## Applicable Products

Applicability	Series	Applicability	Series	Applicability	Series
	Entire H8S Series	Yes	H8S/2655	Yes	H8S/2350
	H8S/2355	Yes	H8S/2357		H8S/2345
	H8S/2245		H8S/2148		H8S/2144
	H8S/2138		H8S/2134		H8S/2128
	H8S/2124	—	—	—	—

**Q&A No.:** QAH8S-210

---

**Category:** DMAC

---

**Subject:** Bus Right in Standby State

---

## Question

In the DMAC full address mode and external request mode, a standby state may be entered after a DMAC write. What happens to the bus right during this period?

## Answer

The DMAC releases the bus right in the standby state, and so the bus is transferred to the CPU, refresh controller, etc.

## Applicable Products

Applicability	Series	Applicability	Series	Applicability	Series
	Entire H8S Series	Yes	H8S/2655	Yes	H8S/2350
	H8S/2355	Yes	H8S/2357		H8S/2345
	H8S/2245		H8S/2148		H8S/2144
	H8S/2138		H8S/2134		H8S/2128
	H8S/2124	—	—	—	—

**Q&A No.:** QAH8S-211

---

**Category:** DMAC

---

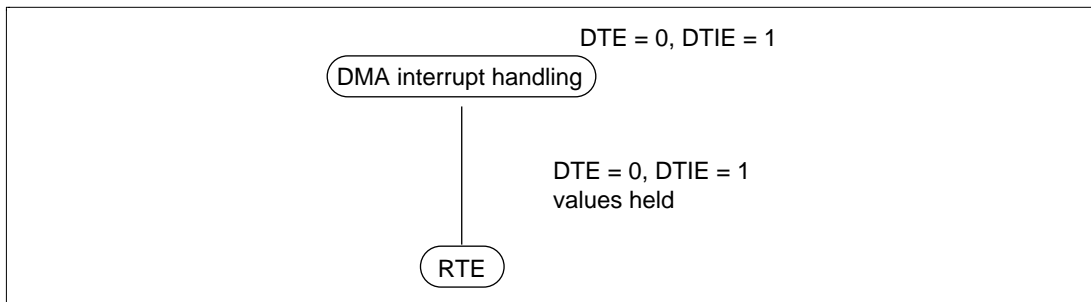
**Subject:** Handling of Transfer End Interrupt

---

## Questions

The manual states that if DTE is cleared to 0 when DTIE = 1, an interrupt request is sent to the CPU.

1. In the case shown in the figure, will DMA transfer end interrupts be generated continually?
2. How can interrupt generation be prevented?



## Answers

1. In the case in the figure, interrupts will be generated continually.
2. An interrupt will always be generated if DTIE is set to 1 (enabling interrupts) when DTE = 0. Therefore, either set the DTE bit to 1 (the BSET instruction can be used) or clear the DTIE bit to 0 (the BCLR instruction can be used).



# Microcomputer Technical Q&A

---

## Applicable Products

Applicability	Series	Applicability	Series	Applicability	Series
	Entire H8S Series	Yes	H8S/2655	Yes	H8S/2350
	H8S/2355	Yes	H8S/2357		H8S/2345
	H8S/2245		H8S/2148		H8S/2144
	H8S/2138		H8S/2134		H8S/2128
	H8S/2124	—	—	—	—

**Q&A No.:** QAH8S-212

---

**Category:** DMAC

---

**Subject:**  $\overline{\text{DREQ}}$  Signal Input

---

## Question

When the  $\overline{\text{DREQ}}$  pin is used in level-sensing mode, must it be held low until the data transfer ends?

## Answer

The  $\overline{\text{DREQ}}$  signal is latched at the rise of  $\phi$ , and once latched the activation source is held. The activation source will therefore be held if the  $\overline{\text{DREQ}}$  pin remains low for at least two states.

## Applicable Products

Applicability	Series	Applicability	Series	Applicability	Series
	Entire H8S Series	Yes	H8S/2655	Yes	H8S/2350
	H8S/2355	Yes	H8S/2357		H8S/2345
	H8S/2245		H8S/2148		H8S/2144
	H8S/2138		H8S/2134		H8S/2128
	H8S/2124	—	—	—	—

**Q&A No.:** QAH8S-213

---

**Category:** DTC

---

**Subject:** Nature of DTC

---

## Question

Is the DTC special hardware, or is the DTC function executed by a CPU microprogram, etc.?

## Answer

The DTC consists of special hardware. This enables it to perform high-speed data transfer without imposing any load on the CPU.

## Applicable Products

<b>Applicability</b>	<b>Series</b>	<b>Applicability</b>	<b>Series</b>	<b>Applicability</b>	<b>Series</b>
	Entire H8S Series	Yes	H8S/2655	Yes	H8S/2350
Yes	H8S/2355	Yes	H8S/2357	Yes	H8S/2345
Yes	H8S/2245	Yes	H8S/2148		H8S/2144
Yes	H8S/2138		H8S/2134	Yes	H8S/2128
	H8S/2124	—	—	—	—

**Q&A No.:** QAH8S-214

---

**Category:** DTC

---

**Subject:** Maximum Number of Channels

---

## Question

What is the maximum number of DTC channels?

## Answer

DTC register information is located in a 1-kbyte area in on-chip RAM. The amount of RAM required for one DTC transfer is 12 bytes, enabling a maximum of 85 channels to be set.

## Applicable Products

Applicability	Series	Applicability	Series	Applicability	Series
	Entire H8S Series	Yes	H8S/2655	Yes	H8S/2350
Yes	H8S/2355	Yes	H8S/2357	Yes	H8S/2345
Yes	H8S/2245	Yes	H8S/2148		H8S/2144
Yes	H8S/2138		H8S/2134	Yes	H8S/2128
	H8S/2124	—	—	—	—

**Q&A No.:** QAH8S-215

---

**Category:** DTC

---

**Subject:** Setting Register Information

---

## Question

Are any precautions necessary when setting DTC register information?

## Answer

Place DTC register information in the 1-kbyte area from H'FFF800 to H'FFFBFF\* in on-chip RAM, and set the RAME bit to 1 in the system control register (SYSCR).

Note: \* H'FFEC00 to H'FFEFFF in the H8S/2100 Series

## Applicable Products

Applicability	Series	Applicability	Series	Applicability	Series
	Entire H8S Series	Yes	H8S/2655	Yes	H8S/2350
Yes	H8S/2355	Yes	H8S/2357	Yes	H8S/2345
Yes	H8S/2245	Yes	H8S/2148		H8S/2144
Yes	H8S/2138		H8S/2134	Yes	H8S/2128
	H8S/2124	—	—	—	—

**Q&A No.:** QAH8S-216

---

**Category:** DTC

---

**Subject:** Order of Setting Register Information

---

## Question

Is there a particular order for setting DTC register information?

## Answer

There is no particular order, but the following point should be noted.

If the DTC mode registers (MRA/MRB) are set first, followed by the DTC source address register (SAR) and DTC destination address register (DAR):

Since SAR and DAR are 24-bit registers, when SAR and DAR are set with a longword instruction (MOV.L), the previously set MRA and MRB information will be corrupted. This can be avoided by making the SAR and DAR settings by longword access first, followed by the MRA and MRB settings.

## Applicable Products

Applicability	Series	Applicability	Series	Applicability	Series
	Entire H8S Series	Yes	H8S/2655	Yes	H8S/2350
Yes	H8S/2355	Yes	H8S/2357	Yes	H8S/2345
Yes	H8S/2245	Yes	H8S/2148		H8S/2144
Yes	H8S/2138		H8S/2134	Yes	H8S/2128
	H8S/2124	—	—	—	—

**Q&A No.:** QAH8S-217

---

**Category:** DTC

---

**Subject:** Use of DTC Interrupt Select Bit (DISEL)

---

## Question

How is the DISEL bit in DTC mode register B (MRB) used?

## Answer

The use of the DISEL bit is shown below.

<b>DISEL</b>	<b>Description</b>
0	The CPU executes interrupt handling (end processing or activation processing) after completion of the specified number of data transfers. Suitable when performing data transfer only.
1	The CPU executes interrupt handling at the end of (end processing or activation processing) at the end of each DTC data transfer. If interrupt handling by the CPU is necessary each time, high-speed execution is possible by having the DTC replace the data transfer section.

---

## Applicable Products

<b>Applicability</b>	<b>Series</b>	<b>Applicability</b>	<b>Series</b>	<b>Applicability</b>	<b>Series</b>
	Entire H8S Series	Yes	H8S/2655	Yes	H8S/2350
Yes	H8S/2355	Yes	H8S/2357	Yes	H8S/2345
Yes	H8S/2245	Yes	H8S/2148		H8S/2144
Yes	H8S/2138		H8S/2134	Yes	H8S/2128
	H8S/2124	—	—	—	—

---

**Q&A No.:** QAH8S-218

---

**Category:** TPU

---

**Subject:** Non-Timer Use of Port

---

## Question

How can the TIOC I/O port be used for a purpose other than TPU input/output?

## Answer

Set B'0000 in bits 7 to 4 or bits 3 to 0 of the timer I/O control register (TIOR) (disabling output).

## Applicable Products

Applicability	Series	Applicability	Series	Applicability	Series
	Entire H8S Series	Yes	H8S/2655	Yes	H8S/2350
Yes	H8S/2355	Yes	H8S/2357	Yes	H8S/2345
Yes	H8S/2245		H8S/2148		H8S/2144
	H8S/2138		H8S/2134		H8S/2128
	H8S/2124	—	—	—	—



**Q&A No.:** QAH8S-219

---

**Category:** TPU

---

**Subject:** Cascaded Connection

---

## Question

Can cascaded connection be used with the TPU?

## Answer

Yes. The two timer register combinations shown below can be used. The upper and lower registers operate in synchronization with the clock.

1. TCNT1 + TCNT2
2. TCNT4 + TCNT5

With combination 2, the following points must be noted.

- Longword access cannot be used on the TCNT4/TCNT5 (TCNT, TGR) register pair, so two word accesses must be used. Consequently, there will be a lag between the read/write timings of the upper and lower registers.
- Compare matches occur separately for the upper and lower registers. In the case of an upper register compare match, in particular, care is required if the lower counter overflows or underflows.

Note: TCTN4 and TCNT5 are not provided in the H8S/2245 Series.

## Applicable Products

Applicability	Series	Applicability	Series	Applicability	Series
	Entire H8S Series	Yes	H8S/2655	Yes	H8S/2350
Yes	H8S/2355	Yes	H8S/2357	Yes	H8S/2345
Yes	H8S/2245		H8S/2148		H8S/2144
	H8S/2138		H8S/2134		H8S/2128
	H8S/2124	—	—	—	—

**Q&A No.:** QAH8S-220

---

**Category:** TPU

---

**Subject:** Dual Use of PWM Mode 1 and Input Capture

---

## Question

When TPU channels 0 and 3 are set to PWM mode 1 and only timer general registers TGRnA and TGRnB are used, can the remaining timer general registers (TGRnC and TGRnD) be used for input capture?

## Answer

No. There is one operating mode per channel. TGRnC and TGRnD can be used as output compare registers by disabling output.

## Applicable Products

Applicability	Series	Applicability	Series	Applicability	Series
	Entire H8S Series	Yes	H8S/2655	Yes	H8S/2350
Yes	H8S/2355	Yes	H8S/2357	Yes	H8S/2345
Yes	H8S/2245		H8S/2148		H8S/2144
	H8S/2138		H8S/2134		H8S/2128
	H8S/2124	—	—	—	—

**Q&A No.:** QAH8S-221

---

**Category:** TPU

---

**Subject:** Setting PWM Mode 2 Cycle

---

## Question

Which register is used to set the cycle in PWM mode 2?

## Answer

The cycle is determined by the register selected by CCLRn (counter clear) in the timer control register (TCR). In this case, output is automatically disabled for the output pins corresponding to the register used as the counter clear source.

## Applicable Products

Applicability	Series	Applicability	Series	Applicability	Series
	Entire H8S Series	Yes	H8S/2655	Yes	H8S/2350
Yes	H8S/2355	Yes	H8S/2357	Yes	H8S/2345
Yes	H8S/2245		H8S/2148		H8S/2144
	H8S/2138		H8S/2134		H8S/2128
	H8S/2124	—	—	—	—

**Q&A No.:** QAH8S-222

---

**Category:** TPU

---

**Subject:** Synchronous Operation of Two Sets

---

## Question

Is synchronous operation of two sets possible?

## Answer

No. The timer synchro register (TSYR) does not permit a synchronous operation setting for two or more sets.

## Applicable Products

Applicability	Series	Applicability	Series	Applicability	Series
	Entire H8S Series	Yes	H8S/2655	Yes	H8S/2350
Yes	H8S/2355	Yes	H8S/2357	Yes	H8S/2345
Yes	H8S/2245		H8S/2148		H8S/2144
	H8S/2138		H8S/2134		H8S/2128
	H8S/2124	—	—	—	—

**Q&A No.:** QAH8S-223

**Category:** TPU

**Subject:** Two-Phase PWM Output

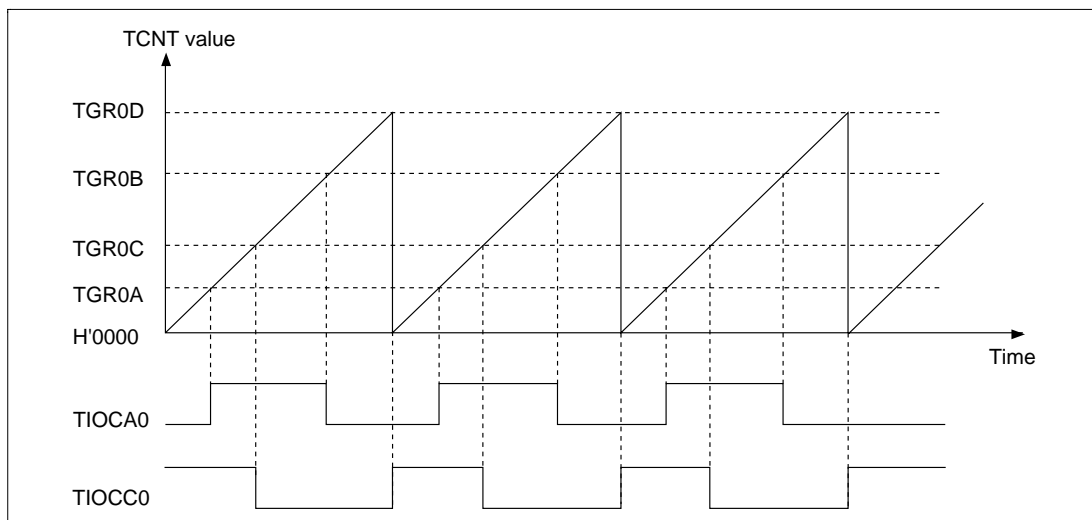
## Question

Is it possible to obtain two-phase PWM output with a common cycle but different duty cycles and a phase difference?

## Answer

This is possible in PWM mode 1, using channels 0 and 3 (or synchronous operation of two channels). The setting method for channel 0 is described below.

1. Set channel 0 to PWM mode.
2. Set TGRA and TGRB, and TGRC and TGRD, to different output with the timer I/O control register (TIOCR).
3. Set a common cycle in TGRD, and set counter clearing by a TGRD compare match.
4. Set the phase difference in TGRA. Also, set the TIOC output duty cycle in TGRC so that  $TGRB - TGRA$  is the TIOCA output duty cycle.



**Two-Phase PWM Output**

# Microcomputer Technical Q&A

---

## Applicable Products

<b>Applicability</b>	<b>Series</b>	<b>Applicability</b>	<b>Series</b>	<b>Applicability</b>	<b>Series</b>
	Entire H8S Series	Yes	H8S/2655	Yes	H8S/2350
Yes	H8S/2355	Yes	H8S/2357	Yes	H8S/2345
Yes	H8S/2245		H8S/2148		H8S/2144
	H8S/2138		H8S/2134		H8S/2128
	H8S/2124	—	—	—	—

**Q&A No.:** QAH8S-224

---

**Category:** WDT

---

**Subject:** Interval Timer with Arbitrary Time Interval

---

## Question

When the WDT is used as an interval timer, is it possible generate interrupts at fixed intervals?

## Answer

Yes. However, since the WDT generates only overflow interrupts\*, the initial value should be written in TCNT. Note that TCNT is always in the reset state when TME = 0.

Note: \* An NMI interrupt setting can also be made in the H8S/2100 Series.

## Applicable Products

Applicability	Series	Applicability	Series	Applicability	Series
Yes	Entire H8S Series		H8S/2655		H8S/2350
	H8S/2355		H8S/2357		H8S/2345
	H8S/2245		H8S/2148		H8S/2144
	H8S/2138		H8S/2134		H8S/2128
	H8S/2124	—	—	—	—

**Q&A No.:** QAH8S-225

---

**Category:** SCI

---

**Subject:** SCI Initialization

---

## Question

In SCI initialization, why is there a minimum 1-bit wait before the TE bit or RE bit is set in the serial control register (SCR)?

## Answer

This 1-bit interval is the minimum time necessary for internal processing to fix the data. If transmission is performed without this 1-bit wait, indefinite data will be transmitted. A wait of at least 1-bit duration is therefore essential before performing transmission.

## Applicable Products

Applicability	Series	Applicability	Series	Applicability	Series
Yes	Entire H8S Series		H8S/2655		H8S/2350
	H8S/2355		H8S/2357		H8S/2345
	H8S/2245		H8S/2148		H8S/2144
	H8S/2138		H8S/2134		H8S/2128
	H8S/2124	—	—	—	—



**Q&A No.:** QAH8S-226

**Category:** SCI

**Subject:** Difference between TDRE Flag and TEND Flag

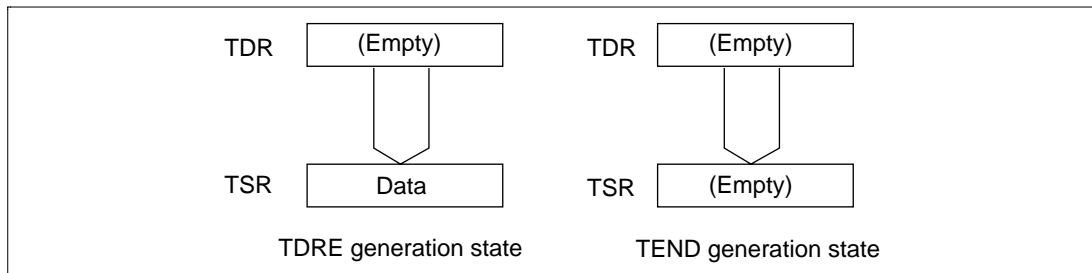
## Question

What is the difference between the TDRE flag and TEND flag in the serial status register (SSR)?

## Answer

The TDRE flag indicates that the transmit data register (TDR) is in the write-enabled state, without regard to the internal state of the transmit shift register (TSR).

The TEND flag indicates that TSR is empty, and TDR is in the write-enabled state. The status of the TEND flag should be checked to confirm whether all data has been transmitted.



**TDRE and TEND Generation States**

## Applicable Products

Applicability	Series	Applicability	Series	Applicability	Series
Yes	Entire H8S Series		H8S/2655		H8S/2350
	H8S/2355		H8S/2357		H8S/2345
	H8S/2245		H8S/2148		H8S/2144
	H8S/2138		H8S/2134		H8S/2128
	H8S/2124	—	—	—	—

**Q&A No.:** QAH8S-227

---

**Category:** SCI

---

**Subject:** Initial State of TxD Pin

---

## Question

What happens to the initial value of the TxD pin when the TE bit is set to 1 in the serial control register (SCR) in serial transmission?

## Answer

When the TE bit is set to 1, the TxD pin goes high automatically in both asynchronous mode and synchronous mode.

## Applicable Products

<b>Applicability</b>	<b>Series</b>	<b>Applicability</b>	<b>Series</b>	<b>Applicability</b>	<b>Series</b>
Yes	Entire H8S Series		H8S/2655		H8S/2350
	H8S/2355		H8S/2357		H8S/2345
	H8S/2245		H8S/2148		H8S/2144
	H8S/2138		H8S/2134		H8S/2128
	H8S/2124	—	—	—	—

**Q&A No.:** QAH8S-228

---

**Category:** SCI

---

**Subject:** Maximum External Clock Input Value (Asynchronous Mode)

---

## Question

What is the maximum possible external clock input frequency in asynchronous mode?

## Answer

The cycle of the external clock input to the SCI must be at least  $4 \times t_{\text{cyc}}$  (min.). With a 20 MHz operating frequency, the maximum value for external clock input is 5 MHz (max.).

## Applicable Products

Applicability	Series	Applicability	Series	Applicability	Series
Yes	Entire H8S Series		H8S/2655		H8S/2350
	H8S/2355		H8S/2357		H8S/2345
	H8S/2245		H8S/2148		H8S/2144
	H8S/2138		H8S/2134		H8S/2128
	H8S/2124	—	—	—	—

**Q&A No.:** QAH8S-229

---

**Category:** SCI

---

**Subject:** Transmit/Receive Operation in Synchronous Mode

---

## Question

Can reception alone be performed in transmit/receive operation ( $TE = RE = 1$ ) in synchronous mode?

## Answer

As the same clock is used for transmission and reception in synchronous mode, transmission and reception are performed simultaneously in transmit/receive operation ( $TE = RE = 1$ ). Consequently, transmit/receive operation cannot be performed until transmission is started (TDRE is cleared to 0).

When the H8S Series chip performs clock output, when TDRE is cleared to 0 the clock is output and transmission and reception are performed simultaneously.

When the H8S Series chip uses clock input, TDRE should be cleared to 0 before inputting the clock. The clock will be ignored if input before TDRE is cleared to 0.

To perform reception only, write dummy data to TDR to clear TDRE to 0.

## Applicable Products

Applicability	Series	Applicability	Series	Applicability	Series
Yes	Entire H8S Series		H8S/2655		H8S/2350
	H8S/2355		H8S/2357		H8S/2345
	H8S/2245		H8S/2148		H8S/2144
	H8S/2138		H8S/2134		H8S/2128
	H8S/2124	—	—	—	—

**Q&A No.:** QAH8S-230

---

**Category:** SCI

---

**Subject:** SCI Transmission Using DTC

---

## Question

Is it possible to perform SCI transmission by activating the DTC at successive timer compare matches?

## Answer

No. The reason is that, in DTC data transfer, TDRE is cleared to 0 in the serial data register (SSR) only when the DTC activation source is the SCI transmission-completed interrupt.

## Applicable Products

Applicability	Series	Applicability	Series	Applicability	Series
	Entire H8S Series	Yes	H8S/2655	Yes	H8S/2350
Yes	H8S/2355	Yes	H8S/2357	Yes	H8S/2345
Yes	H8S/2245		H8S/2148		H8S/2144
	H8S/2138		H8S/2134		H8S/2128
	H8S/2124	—	—	—	—

**Q&A No.:** QAH8S-231

---

**Category:** SCI

---

**Subject:** Permissible Bit Rate Error in Asynchronous Mode

---

## Question

What is the permissible bit rate error in asynchronous mode?

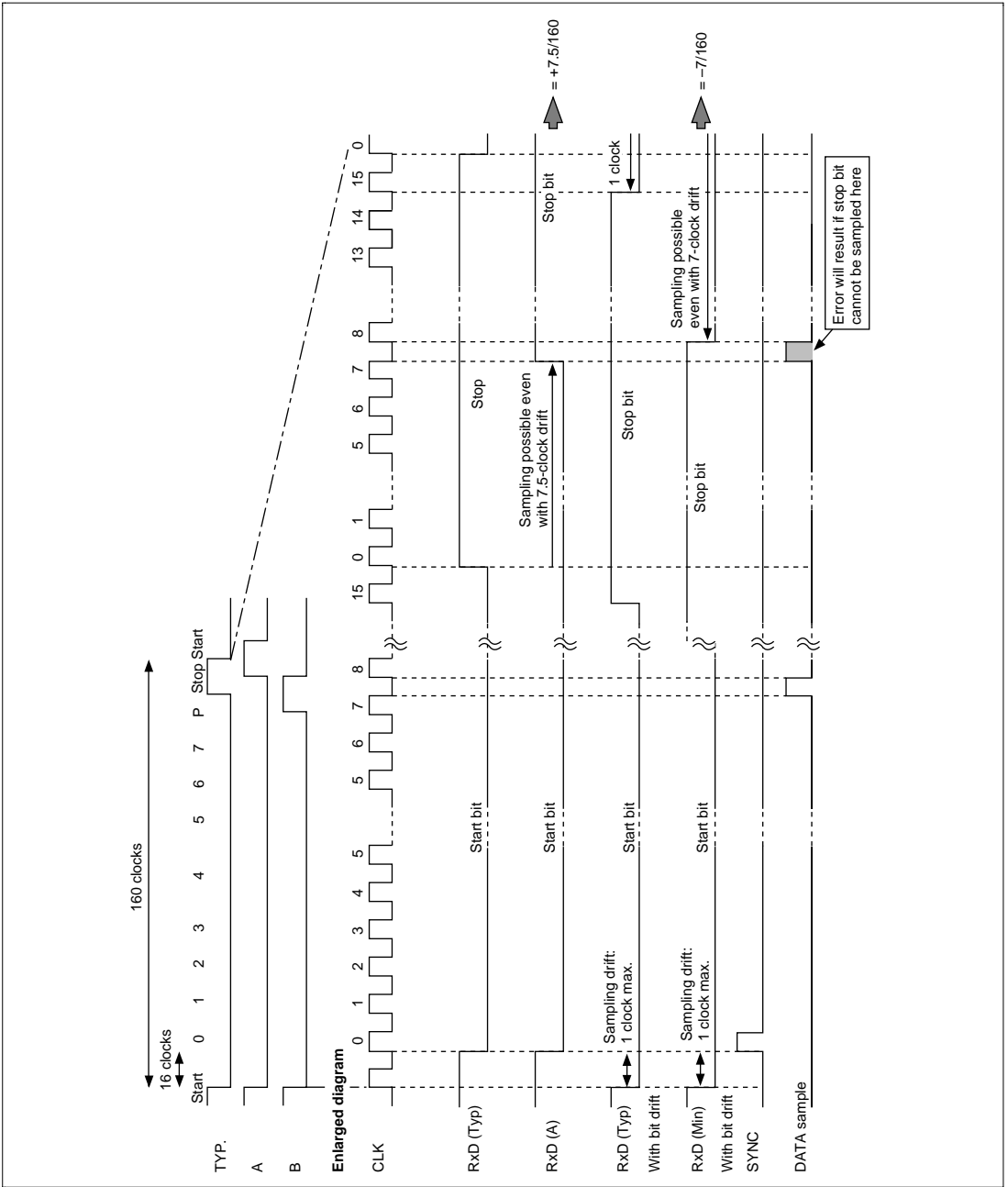
## Answer

When the H8S Series chip is receiving, the permissible error within one frame is as shown below. This shows the worst case for the sampling timing of the last bit (stop bit) of the frame. With 8-bit data and no parity, one frame consists of 160 internal basic clocks. Assuming no per-bit distortion, the conditions under which the stop bit can be sampled are as follows:

- When transmitting side is slow:  $7.5/160 = 0.046$
- When transmitting side is fast:  $-7/160 = -0.043$

From the above two points, the permissible error can be calculated to be approximately 4.3%

This is a theoretical value. A margin should be allowed on the system side in actual system designs.



**Receive Margins in Asynchronous Mode**

# Microcomputer Technical Q&A

---

However, if the transmitting side is fast, the next frame will begin before completion of the receive operation, and it may not be possible to receive this next frame. Two-stop mode should therefore be used when receiving, since the second stop bit is ignored in this mode.

Note: See “Receive Data Sampling Timing in Asynchronous Mode and Receive Margin” in the hardware manual.

## Applicable Products

<b>Applicability</b>	<b>Series</b>	<b>Applicability</b>	<b>Series</b>	<b>Applicability</b>	<b>Series</b>
Yes	Entire H8S Series		H8S/2655		H8S/2350
	H8S/2355		H8S/2357		H8S/2345
	H8S/2245		H8S/2148		H8S/2144
	H8S/2138		H8S/2134		H8S/2128
	H8S/2124	—	—	—	—



**Q&A No.:** QAH8S-232

---

**Category:** SCI

---

**Subject:** Operation of RDRF Flag

---

## Question

An operation to clear the RDRF flag to 0 in the serial status register (SSR) is necessary in SCI reception. What will happen if this flag is cleared to 0 directly without first reading 1?

## Answer

It will not be cleared. However, if the BCLR instruction is used, after a byte-unit read of SSR, the RDRF flag is cleared to 0, and a byte-unit write is performed. Therefore, the RDRF flag can be cleared to 0 with a BCLR instruction when the flag is set to 1 (in the RXI interrupt handling routine).

## Applicable Products

Applicability	Series	Applicability	Series	Applicability	Series
	Entire H8S Series	Yes	H8S/2655	Yes	H8S/2350
Yes	H8S/2355	Yes	H8S/2357	Yes	H8S/2345
Yes	H8S/2245		H8S/2148		H8S/2144
	H8S/2138		H8S/2134		H8S/2128
	H8S/2124	—	—	—	—

**Q&A No.:** QAH8S-233

---

**Category:** SCI

---

**Subject:** RDRF Flag Set Timing

---

## Questions

When data reception ends, the RDRF flag is set to 1 in the serial status register (SSR).

1. What is the timing for RDRF flag setting in asynchronous mode?
2. What is the timing for RDRF flag setting in synchronous mode?

## Answers

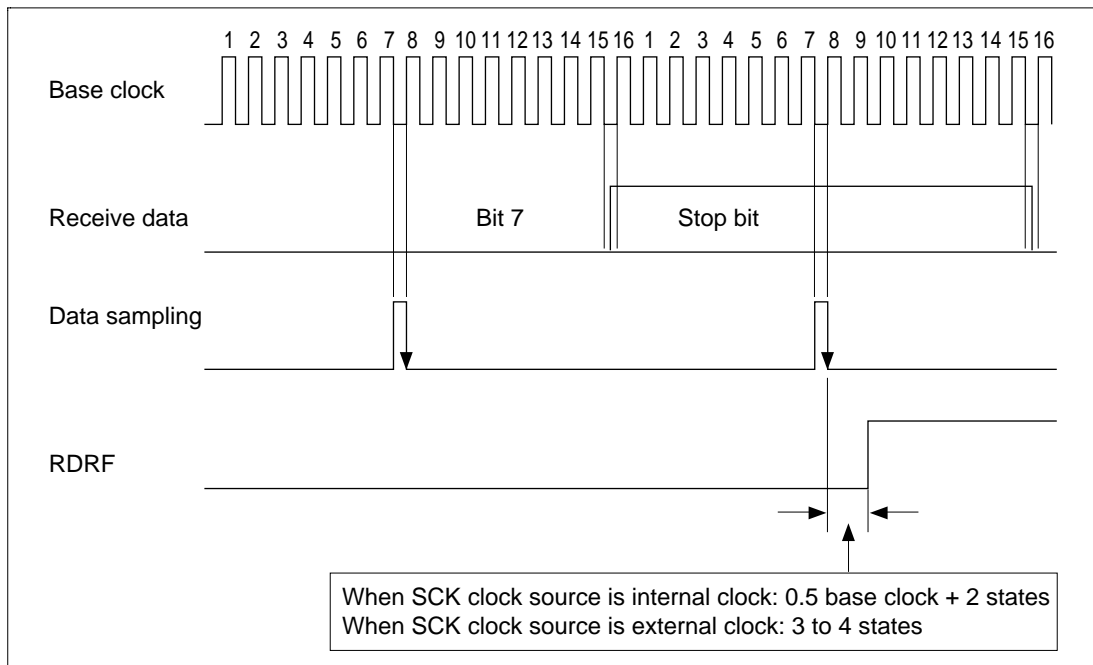
See the next page.

## Applicable Products

<b>Applicability</b>	<b>Series</b>	<b>Applicability</b>	<b>Series</b>	<b>Applicability</b>	<b>Series</b>
Yes	Entire H8S Series		H8S/2655		H8S/2350
	H8S/2355		H8S/2357		H8S/2345
	H8S/2245		H8S/2148		H8S/2144
	H8S/2138		H8S/2134		H8S/2128
	H8S/2124	—	—	—	—

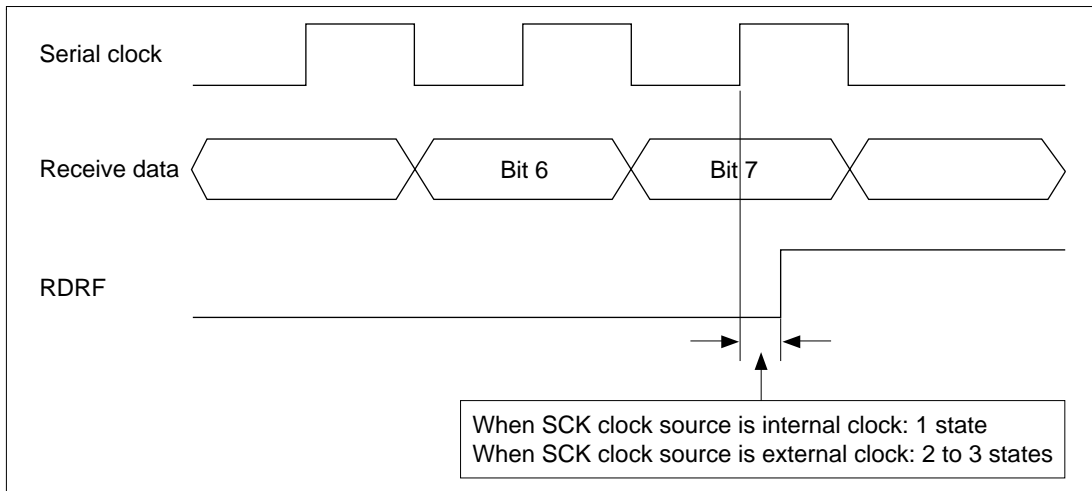
## Answers

1. The RDRF flag is set following the fall of the data sampling clock after the stop bit data is received (see figure below).



**With 8-Bit Data and 1 Stop Bit**

2. The RDRF flag is set following the fall of the serial clock after the MSB data is received (see figure below).



**In Synchronous Mode**

**Q&A No.:** QAH8S-234

---

**Category:** SCI

---

**Subject:** Interrupt Source Flag Clearing

---

## Question

If a receive-error interrupt is generated, and the receive error flags (ORER, FER, PER) in the serial status register (SSR) are not cleared in the interrupt handling routine before returning to the main routine, will another receive-error interrupt be generated?

## Answer

Yes. As the receive error flags are not cleared to 0 automatically, another receive-error interrupt will be generated on return to the main routine (on execution of the RTE instruction).

Note: The interrupt will be generated as soon as interrupt masking is released.

## Applicable Products

Applicability	Series	Applicability	Series	Applicability	Series
	Entire H8S Series	Yes	H8S/2655	Yes	H8S/2350
Yes	H8S/2355	Yes	H8S/2357	Yes	H8S/2345
Yes	H8S/2245		H8S/2148		H8S/2144
	H8S/2138		H8S/2134		H8S/2128
	H8S/2124	—	—	—	—

**Q&A No.:** QAH8S-235

---

**Category:** SCI

---

**Subject:** Continuous Transmission/Reception in Synchronous Mode Using External Clock

---

## Questions

In synchronous mode operation using an external clock:

1. If, after transmission of one data byte is completed, the external clock is input to the SCK pin before the CPU has written the next transmit data to the transmit data register (TDR), will the SCI start the next transmit operation?
2. What happens after completion of reception?
3. What will happen if the TDRE bit is cleared to 0 in the serial status register (SSR) without writing transmit data to TDR?

## Answers

1. No, transmission will not be started. The next transmission is not performed until the TDRE bit is cleared to 0 in the serial status register (SSR).
2. Reception is started. However, if the RDRF bit is not cleared to 0 in SSR before reception of the next data is completed, an overrun error will occur.
3. The first time, H'FF (the initial value of TDR) will be transmitted. From the second time onward, the previous TDR value will be transmitted.

## Applicable Products

Applicability	Series	Applicability	Series	Applicability	Series
Yes	Entire H8S Series		H8S/2655		H8S/2350
	H8S/2355		H8S/2357		H8S/2345
	H8S/2245		H8S/2148		H8S/2144
	H8S/2138		H8S/2134		H8S/2128
	H8S/2124	—	—	—	—

**Q&A No.:** QAH8S-236

---

**Category:** SCI

---

**Subject:** Use of RDR and TDR when SCI is Not Used

---

## Questions

Can the following registers be used as data registers when the SCI is not used?

1. Receive data register (RDR)
2. Transmit data register (TDR)

## Answers

1. No: as the receive data register (RDR) is a read-only register, it cannot be used as a data register.
2. Yes, the transmit data register (TDR) can be used as a data register.

## Applicable Products

Applicability	Series	Applicability	Series	Applicability	Series
Yes	Entire H8S Series		H8S/2655		H8S/2350
	H8S/2355		H8S/2357		H8S/2345
	H8S/2245		H8S/2148		H8S/2144
	H8S/2138		H8S/2134		H8S/2128
	H8S/2124	—	—	—	—

**Q&A No.:** QAH8S-237

---

**Category:** SCI

---

**Subject:** SCI Clock Pin Input/Output Setting

---

## Question

When the SCI is used, is the input/output specification for the SCK pin made in the data direction register (DDR) for the port corresponding to that pin?

## Answer

No. When the SCI is used, the SCK pin input/output specification is made with the  $C/\bar{A}$  bit (communication mode bit) in the serial mode register (SMR) and bits CKE1 and CKE0 (clock enable) in the serial control register (SCR). A setting is not required in the DDR for the corresponding port.

## Applicable Products

Applicability	Series	Applicability	Series	Applicability	Series
Yes	Entire H8S Series		H8S/2655		H8S/2350
	H8S/2355		H8S/2357		H8S/2345
	H8S/2245		H8S/2148		H8S/2144
	H8S/2138		H8S/2134		H8S/2128
	H8S/2124	—	—	—	—



**Q&A No.:** QAH8S-238

---

**Category:** SCI

---

**Subject:** Serial Internal I/O Pin States

---

## Question

After the TxD, RxD, and SCK pins—which are multiplexed as I/O ports—were used as SCI pins, SCI operation was disabled with the serial control register (SCR) and serial mode register (SMR), and these pins were set as I/O ports.

In this case, what is the data direction register (DDR) value for each of these pins?

## Answer

SCI operation does not affect the contents of I/O port data direction registers. Therefore, when the pins are used as described above, DDR will retain the values it held before the pins were set as SCI pins. The data register (DR) values are similarly retained.

## Applicable Products

<b>Applicability</b>	<b>Series</b>	<b>Applicability</b>	<b>Series</b>	<b>Applicability</b>	<b>Series</b>
Yes	Entire H8S Series		H8S/2655		H8S/2350
	H8S/2355		H8S/2357		H8S/2345
	H8S/2245		H8S/2148		H8S/2144
	H8S/2138		H8S/2134		H8S/2128
	H8S/2124	—	—	—	—

**Q&A No.:** QAH8S-239

---

**Category:** SCI

---

**Subject:** Setting Asynchronous Mode

---

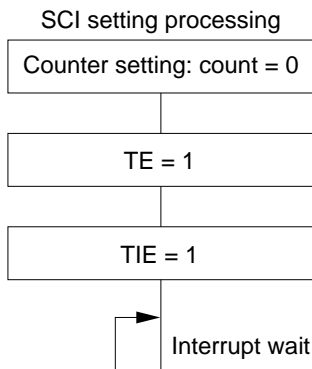
## Question

When performing asynchronous mode transfer with the SCI, what is the setting procedure for performing transfer by software, without using the DMAC or DTC?

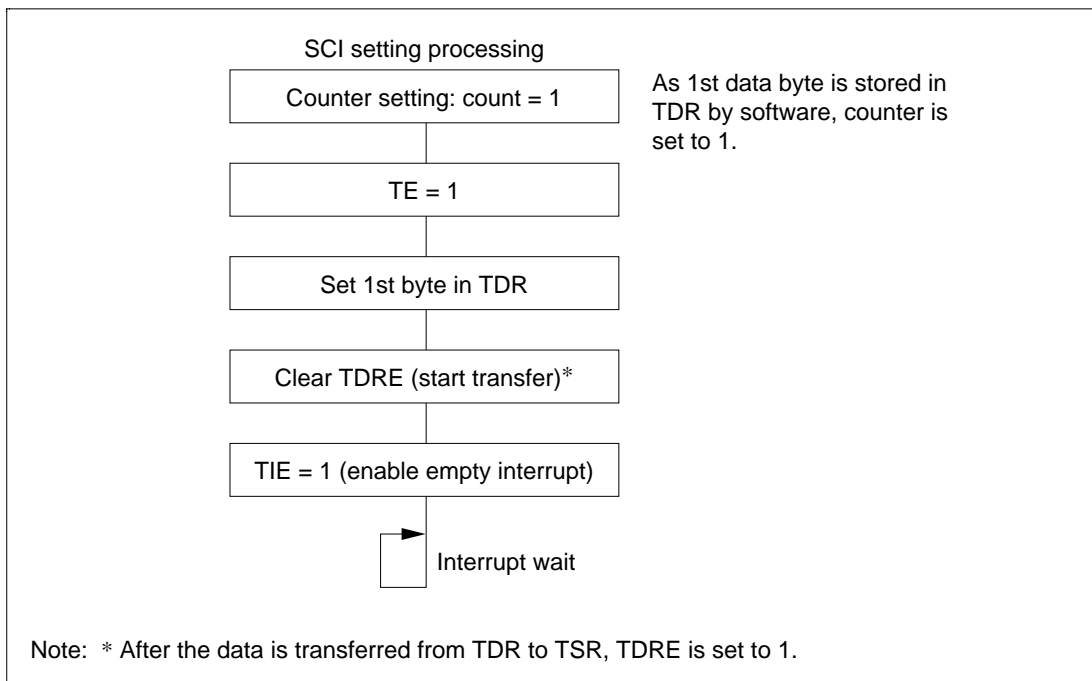
## Answer

When  $TDRE = 1$ , a data-empty interrupt is always generated when  $TIE$  is set to 1. There are thus two methods, as follows.

1. Performing first byte setting in the TXI interrupt handling routine

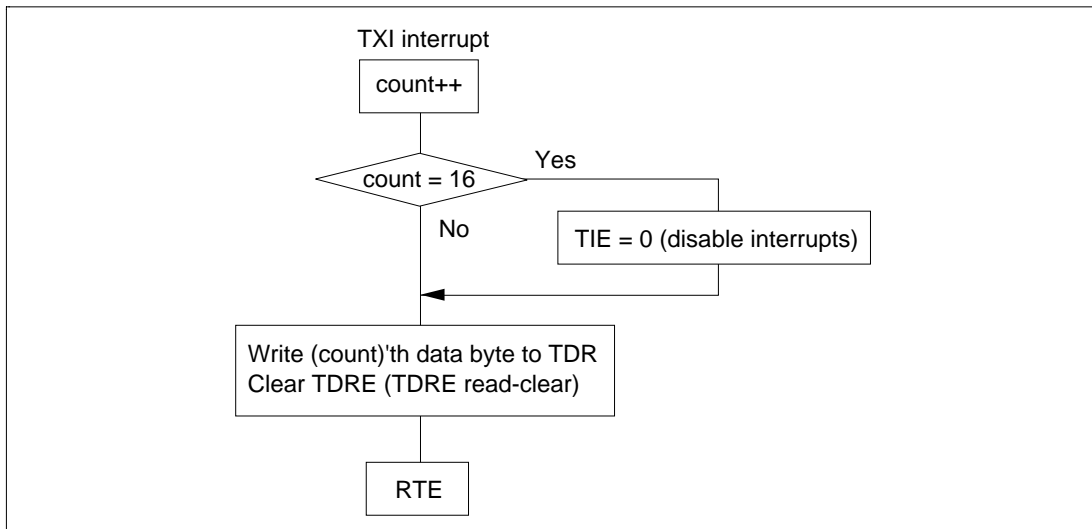


## 2. Performing first byte setting at the same time as SCI setting



# Microcomputer Technical Q&A

In both of the above cases, the TXI interrupt handling routine flowchart is as shown below.



## Applicable Products

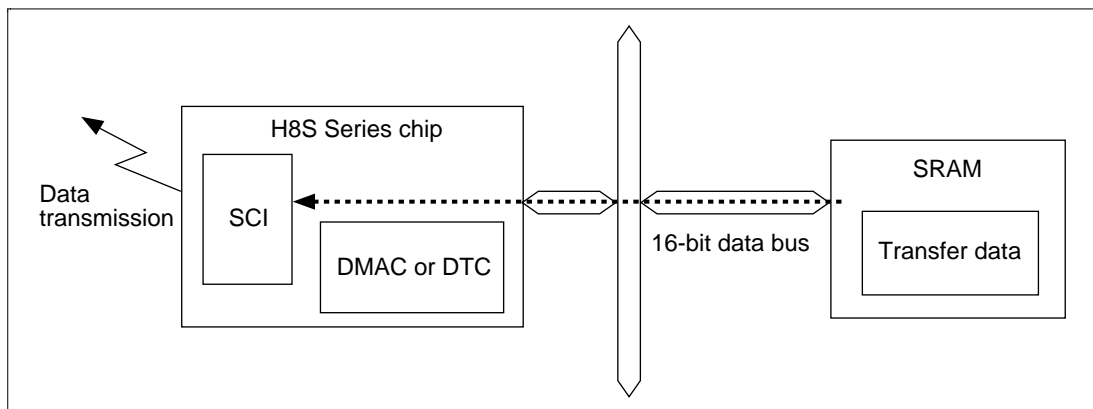
Applicability	Series	Applicability	Series	Applicability	Series
Yes	Entire H8S Series	H8S/2655	H8S/2350		
	H8S/2355	H8S/2357	H8S/2345		
	H8S/2245	H8S/2148	H8S/2144		
	H8S/2138	H8S/2134	H8S/2128		
	H8S/2124	—	—	—	—

**Q&A No.:** QAH8S-240

**Category:** SCI

**Subject:** Data Transfer to TDR

## Questions



To transfer data in 16-bit-access space\* to the SCI transmit data register (TDR: 8 bits long), as shown above:

1. Is there any way of performing the transfer by software?
2. Is there any way of performing the transfer with the DMAC?

Note: \* The H8S/2138, H8S/2134, H8S/2128, and H8S/2124 Series have only 8-bit-access space.

## Answers

1. Transfer by software

Byte access can also be used in 16-bit-access space. Read the transfer data in SRAM one byte at a time, and transfer it to the SCI's TDR (using the MOV.B instruction).

2. Transfer using DMAC or DTC

Designate the TXI interrupt as the DMAC or DTC activation source, set the data size as byte, and transfer the transfer data in SRAM to the SCI's TDR one byte at a time. (Word-size transfer is not possible, since the DMAC or DTC is activated each time one byte is transmitted.)

# Microcomputer Technical Q&A

---

## Applicable Products

<b>Applicability</b>	<b>Series</b>	<b>Applicability</b>	<b>Series</b>	<b>Applicability</b>	<b>Series</b>
Yes	Entire H8S Series		H8S/2655		H8S/2350
	H8S/2355		H8S/2357		H8S/2345
	H8S/2245		H8S/2148		H8S/2144
	H8S/2138		H8S/2134		H8S/2128
	H8S/2124	—	—	—	—

**Q&A No.:** QAH8S-241

---

**Category:** SCI

---

**Subject:** TDRE Flag Set Timing

---

## Questions

When data transmission ends, the TDRE flag is set to 1 in the serial status register (SSR).

1. What is the timing for TDRE flag setting in asynchronous mode?
2. What is the timing for TDRE flag setting in synchronous mode?

## Answers

See the next page.

## Applicable Products

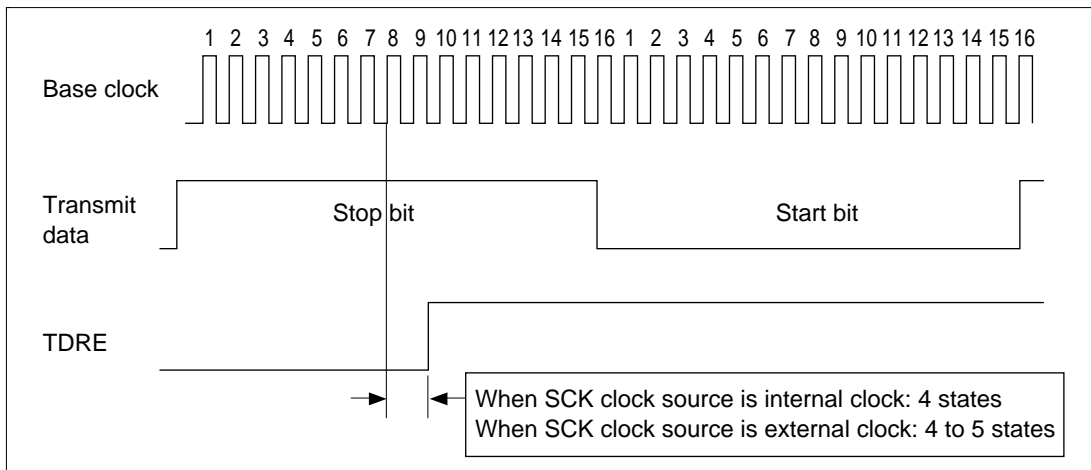
<b>Applicability</b>	<b>Series</b>	<b>Applicability</b>	<b>Series</b>	<b>Applicability</b>	<b>Series</b>
Yes	Entire H8S Series		H8S/2655		H8S/2350
	H8S/2355		H8S/2357		H8S/2345
	H8S/2245		H8S/2148		H8S/2144
	H8S/2138		H8S/2134		H8S/2128
	H8S/2124	—	—	—	—

## Answers

The TDRE set timing differs depending on whether or not the transmit shift register (TSR) contains transmit data.

### 1. Asynchronous mode

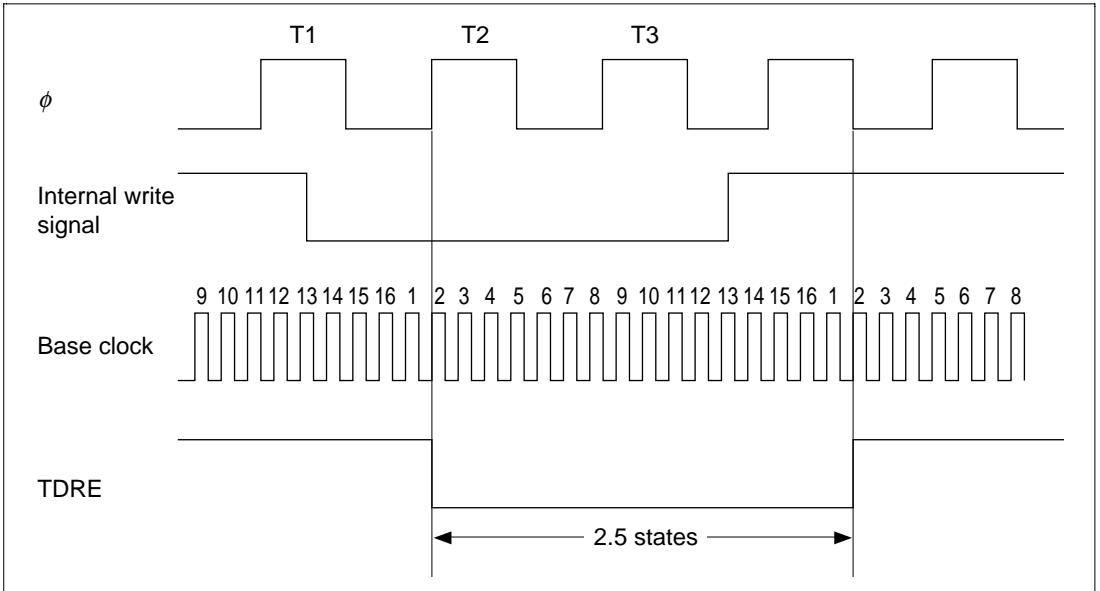
- a. When TSR contains transmit data (see figure below)



This timing also applies when transmission is started by setting the TE (transmit enable) bit.

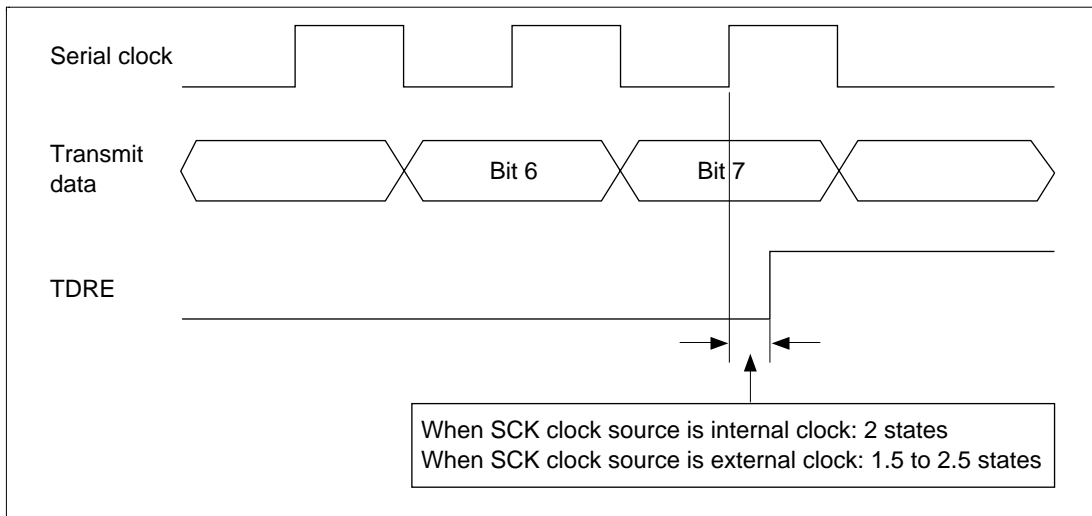


b. When TSR does not contain transmit data (see figure below)

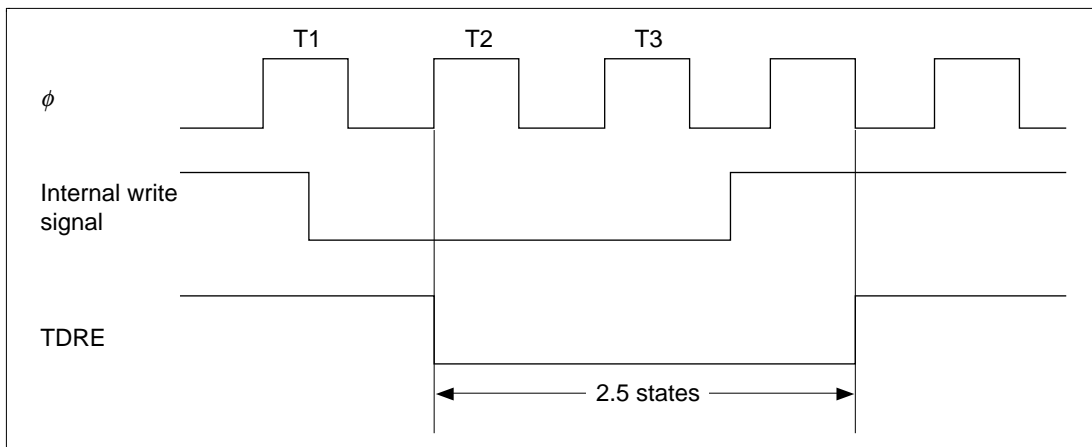


## 2. Synchronous mode

a. When TSR contains transmit data (see figure below)



b. When TSR does not contain transmit data (see figure below)



**Q&A No.:** QAH8S-242

---

**Category:** SCI

---

**Subject:** Phases of System Clock and SCK

---

## Question

Is SCK (the serial clock transfer clock) output in synchronization with the rise or fall of  $\phi$  (the system clock)?

## Answer

The SCK signal is output in synchronization with the fall of  $\phi$ .

## Applicable Products

Applicability	Series	Applicability	Series	Applicability	Series
Yes	Entire H8S Series		H8S/2655		H8S/2350
	H8S/2355		H8S/2357		H8S/2345
	H8S/2245		H8S/2148		H8S/2144
	H8S/2138		H8S/2134		H8S/2128
	H8S/2124	—	—	—	—

**Q&A No.:** QAH8S-243

---

**Category:** A/D Converter

---

**Subject:** Idea Behind External C and R

---

## Question

What is the idea behind the connection of a signal source impedance (tap resistance, etc.) and low-pass filter to the A/D converter input pins?

## Answer

The ideas behind these connections are as follows.

- Permissible signal source impedance

The analog inputs of H8S Series chips are designed so that conversion accuracy is guaranteed for an input signal with a permissible signal source impedance,  $R_{out}$ , of 5 k $\Omega$  or less (when  $\phi > 12$  MHz).

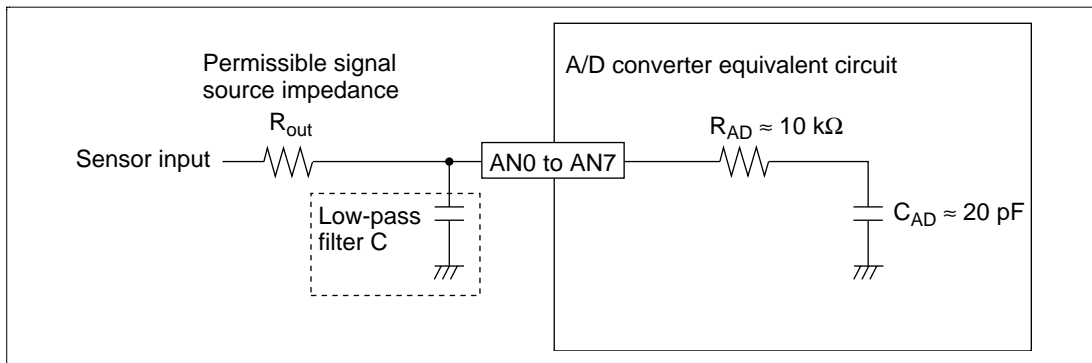
The figure below shows an equivalent circuit of the analog input circuit. In order for A/D converter to be performed correctly, internal capacitance  $C_{AD}$  must be charged within the sampling period,  $t_{SPL}$ .

Charge time constant  $\tau$  is expressed as  $\tau = C_{AD} \times (R_{out} + R_{AD})$ , so that, for a permissible conversion error of  $\pm 4$  LSB, for example, the calculation is as follows:

$$V_{CC} \times 1020/1024 > V_{CC} \times (1 - \exp(-t_{SPL}/\tau))$$
$$\therefore t_{SPL} > 5.6 \times \tau = 5.6 \times C_{AD} \times (R_{out} + R_{AD})$$

If  $t_{SPL} = 2 \mu\text{s}$  ( $\phi = 16$  MHz, CKS = 1),  $C_{AD} = 20$  pF and  $R_{AD} = 10$  k $\Omega$ ; thus:

$$\tau < 360 \text{ ns}$$
$$\therefore R_{out} < 8 \text{ k}\Omega$$



**Example of Analog Input Circuit**

- Low-pass filter

Adding a large capacitance (up to 0.1  $\mu\text{F}$  or so) to the input pins makes sensor output impedance  $R_{out}$  essentially negligible in single-mode conversion.

When scan mode is used, however, the internal capacitance must be charged in a short time, and so error may arise.

Therefore, if permissible signal source impedance  $R_{out}$  exceeds 5  $\text{k}\Omega$  and a low-pass filter is added, use of single mode is recommended, with the following times set for conversion cycle  $T_{int}$ .

$$T_{int} > 2\text{ ms} \quad (100\text{ k}\Omega \geq R_{out} > 5\text{ k}\Omega)$$

$$T_{int} > 4\text{ ms} \quad (200\text{ k}\Omega \geq R_{out} > 100\text{ k}\Omega)$$

## Applicable Products

Applicability	Series	Applicability	Series	Applicability	Series
Yes	Entire H8S Series		H8S/2655		H8S/2350
	H8S/2355		H8S/2357		H8S/2345
	H8S/2245		H8S/2148		H8S/2144
	H8S/2138		H8S/2134		H8S/2128
	H8S/2124	—	—	—	—

**Q&A No.:** QAH8S-244

**Category:** A/D Converter

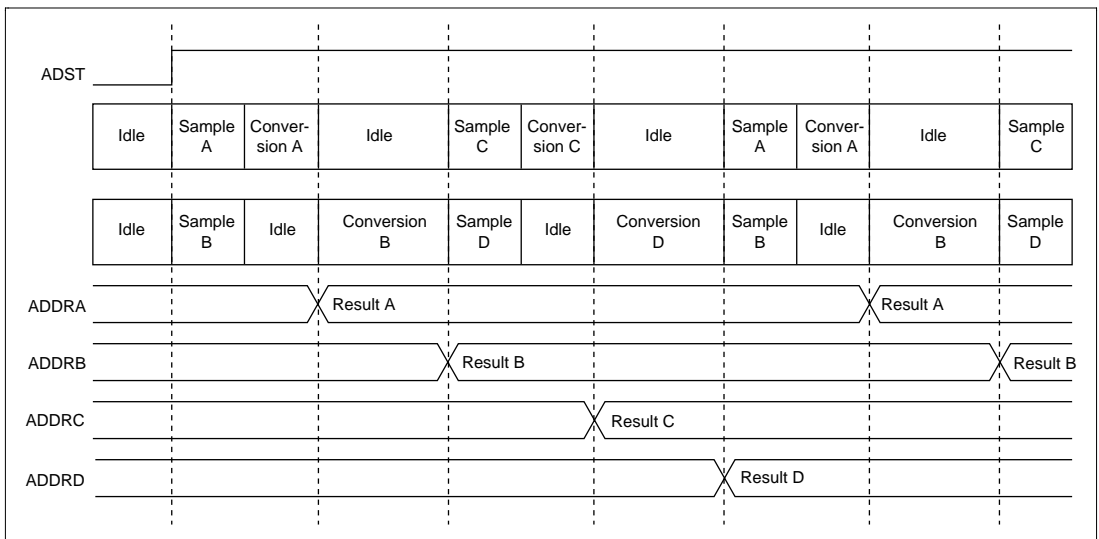
**Subject:** A/D Conversion in Simultaneous Sampling Operation

## Question

How does A/D conversion operate with group scan mode simultaneous sampling?

## Answer

An example of A/D conversion operation with group scan mode simultaneous sampling is shown below.



**Example of Group Scan Mode Simultaneous Sampling Operation**

# Microcomputer Technical Q&A

---

## Applicable Products

Applicability	Series	Applicability	Series	Applicability	Series
	Entire H8S Series	Yes	H8S/2655		H8S/2350
	H8S/2355		H8S/2357		H8S/2345
	H8S/2245		H8S/2148		H8S/2144
	H8S/2138		H8S/2134		H8S/2128
	H8S/2124	—	—	—	—

**Q&A No.:** QAH8S-245

**Category:** A/D Converter

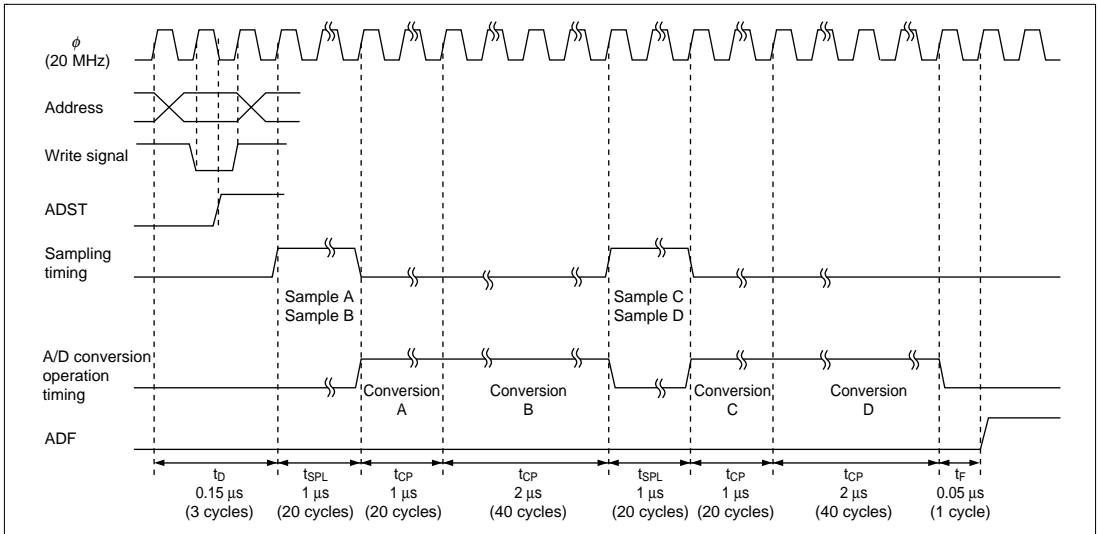
**Subject:** A/D Conversion Time in Simultaneous Sampling Operation

## Question

What is the A/D conversion time in simultaneous sampling operation?

## Answer

The conversion time is normally 1  $\mu\text{s}$ , but with simultaneous sampling, as shown in the figure below, the conversion time for even-numbered conversions (B and D) is twice that for odd-numbered conversions (A and C). The conversion time is thus 1  $\mu\text{s}$  for even-numbered conversions and 2  $\mu\text{s}$  for odd-numbered conversions.



**A/D Conversion Times in Simultaneous Sampling Operation**



# Microcomputer Technical Q&A

---

## Applicable Products

Applicability	Series	Applicability	Series	Applicability	Series
	Entire H8S Series	Yes	H8S/2655		H8S/2350
	H8S/2355		H8S/2357		H8S/2345
	H8S/2245		H8S/2148		H8S/2144
	H8S/2138		H8S/2134		H8S/2128
	H8S/2124	—	—	—	—

**Q&A No.:** QAH8S-246

---

**Category:** I/O Ports

---

**Subject:** I/O Port Manipulation

---

## Question

When a particular bit of an I/O port is specified as an output port, can a bit-manipulation instruction be executed on that port?

## Answer

Yes. The port data registers (DRs) can be read or written to at any time, and can be manipulated with bit-manipulation instructions.

The data direction registers (DDRs) are write-only registers, and so cannot be manipulated with bit-manipulation instructions.

## Applicable Products

Applicability	Series	Applicability	Series	Applicability	Series
Yes	Entire H8S Series		H8S/2655		H8S/2350
	H8S/2355		H8S/2357		H8S/2345
	H8S/2245		H8S/2148		H8S/2144
	H8S/2138		H8S/2134		H8S/2128
	H8S/2124	—	—	—	—

**Q&A No.:** QAH8S-247

---

**Category:** I/O Ports

---

**Subject:** Reserved Bits

---

## Question

Write data rules are sometimes given for reserved bits in internal I/O registers. Is there any problem with writing data other than that prescribed to these reserved bits?

## Answer

Only the data prescribed in the manual should be written, otherwise correct operation is not guaranteed. For example, the ICE and the production chip may operate differently.

## Applicable Products

Applicability	Series	Applicability	Series	Applicability	Series
Yes	Entire H8S Series		H8S/2655		H8S/2350
	H8S/2355		H8S/2357		H8S/2345
	H8S/2245		H8S/2148		H8S/2144
	H8S/2138		H8S/2134		H8S/2128
	H8S/2124	—	—	—	—

**Q&A No.:** QAH8S-248

**Category:** I/O Ports

**Subject:** Disabling  $\phi$  Output

## Question

Is there any way of fixing  $\phi$  output high in normal operation?

## Answer

Yes. To fix  $\phi$  output high, set the PSTOP bit to 1 in the system clock control register (SCKCR) (see table below). Also,  $\phi$  output can be disabled by clearing the corresponding port data direction register (DDR) bit to 0, designating input port operation.

Disabling or fixing  $\phi$  output is effective in reducing peripheral noise, current dissipation, etc.

### $\phi$ Pin States in Each Processing State

DDR	0		1	
			0	1
PSTOP	—		0	1
Hardware standby mode	High impedance		High impedance	High impedance
Software standby mode	High impedance		Fixed high	Fixed high
Sleep mode	High impedance		$\phi$ output	Fixed high
Normal operating state	High impedance		$\phi$ output	Fixed high

## Applicable Products

Applicability	Series	Applicability	Series	Applicability	Series
	Entire H8S Series	Yes	H8S/2655	Yes	H8S/2350
Yes	H8S/2355	Yes	H8S/2357	Yes	H8S/2345
Yes	H8S/2245		H8S/2148		H8S/2144
	H8S/2138		H8S/2134		H8S/2128
	H8S/2124	—	—	—	—

**Q&A No.:** QAH8S-249

---

**Category:** I/O Ports

---

**Subject:** Port 3 Open-Drain Output

---

## Question

Port 3 pins are multiplexed as SCI0 and SCI1 input/output pins. Can port 3 pins be used as open-drain outputs only when the I/O port function is used, or also when the SCI output pin function is used?

## Answer

Open-drain output is also possible when port 3 pins are used as SCI output pins.

In both I/O port operation and SCI output pin operation, open-drain output can be selected by setting port 3 open-drain control register (P3ODR) bits to 1. After making the P3ODR setting, set the relevant pins to output mode.

Note: When open-drain output is used, it is still necessary to ensure that the relevant pin levels do not exceed the input voltage range values specified in the Electrical Characteristics section.

## Applicable Products

Applicability	Series	Applicability	Series	Applicability	Series
	Entire H8S Series	Yes	H8S/2655	Yes	H8S/2350
Yes	H8S/2355	Yes	H8S/2357	Yes	H8S/2345
Yes	H8S/2245		H8S/2148		H8S/2144
	H8S/2138		H8S/2134		H8S/2128
	H8S/2124	—	—	—	—

**Q&A No.:** QAH8S-250

---

**Category:** I/O Ports

---

**Subject:** Multiplexing as  $\overline{\text{IRQ3}}$  and  $\overline{\text{LWR}}$

---

## Question

The PF3 pin is also multiplexed as  $\overline{\text{LWR}}$  and  $\overline{\text{IRQ3}}$ . Can  $\overline{\text{IRQ3}}$  input be used in modes 1, 2, 4, 5, and 6?

## Answer

No. The PF3/ $\overline{\text{LWR}}$ / $\overline{\text{IRQ3}}$  pin becomes the  $\overline{\text{LWR}}$  output automatically in modes 1, 2, 4, 5, and 6, and so cannot be used as the  $\overline{\text{IRQ3}}$  input.

## Applicable Products

Applicability	Series	Applicability	Series	Applicability	Series
	Entire H8S Series		H8S/2655		H8S/2350
	H8S/2355		H8S/2357	Yes	H8S/2345
Yes	H8S/2245		H8S/2148		H8S/2144
	H8S/2138		H8S/2134		H8S/2128
	H8S/2124	—	—	—	—

**Q&A No.:** QAH8S-251

---

**Category:** Clock Pulse Generator

---

**Subject:** Crystal Resonator Capacitance Value

---

## Question

Crystal resonator capacitance value C0 is given as 7 pF in the hardware manual. Can a larger capacitance be used?

## Answer

The C0 value given in the hardware manual is a reference value. The C0 value will depend on the user's system, and therefore oscillation should be confirmed in with the chip in actual use.

## Applicable Products

Applicability	Series	Applicability	Series	Applicability	Series
Yes	Entire H8S Series		H8S/2655		H8S/2350
	H8S/2355		H8S/2357		H8S/2345
	H8S/2245		H8S/2148		H8S/2144
	H8S/2138		H8S/2134		H8S/2128
	H8S/2124	—	—	—	—





---

## **H8S Series Technical Q&A Application Note**

Publication Date: 1st Edition, February, 1998

Published by: Sales Strategic Planning Div.  
Renesas Technology Corp.

Edited by: Technical Documentation & Information Department  
Renesas Kodaïra Semiconductor Co., Ltd.

---

**Renesas Technology Corp.** Sales Strategic Planning Div. Nippon Bldg., 2-6-2, Ohte-machi, Chiyoda-ku, Tokyo 100-0004, Japan

---



**RENESAS SALES OFFICES**

---

<http://www.renesas.com>

**Renesas Technology America, Inc.**

450 Hoger Way, San Jose, CA 95134-1368, U.S.A  
Tel: <1> (408) 382-7500 Fax: <1> (408) 382-7501

**Renesas Technology Europe Limited.**

Dukes Meadow, Millboard Road, Bourne End, Buckinghamshire, SL8 5FH, United Kingdom  
Tel: <44> (1628) 585 100, Fax: <44> (1628) 585 900

**Renesas Technology Europe GmbH**

Dornacher Str. 3, D-85622 Feldkirchen, Germany  
Tel: <49> (89) 380 70 0, Fax: <49> (89) 929 30 11

**Renesas Technology Hong Kong Ltd.**

7/F., North Tower, World Finance Centre, Harbour City, Canton Road, Hong Kong  
Tel: <852> 2265-6688, Fax: <852> 2375-6836

**Renesas Technology Taiwan Co., Ltd.**

FL 10, #99, Fu-Hsing N. Rd., Taipei, Taiwan  
Tel: <886> (2) 2715-2888, Fax: <886> (2) 2713-2999

**Renesas Technology (Shanghai) Co., Ltd.**

26/F., Ruijin Building, No.205 Maoming Road (S), Shanghai 200020, China  
Tel: <86> (21) 6472-1001, Fax: <86> (21) 6415-2952

**Renesas Technology Singapore Pte. Ltd.**

1, Harbour Front Avenue, #06-10, Keppel Bay Tower, Singapore 098632  
Tel: <65> 6213-0200, Fax: <65> 6278-8001

# H8S Series Technical Q&A Application Note



Renesas Electronics Corporation

1753, Shimonumabe, Nakahara-ku, Kawasaki-shi, Kanagawa 211-8668 Japan

REJ05B0397-01000