

To our customers,

Old Company Name in Catalogs and Other Documents

On April 1st, 2010, NEC Electronics Corporation merged with Renesas Technology Corporation, and Renesas Electronics Corporation took over all the business of both companies. Therefore, although the old company name remains in this document, it is a valid Renesas Electronics document. We appreciate your understanding.

Renesas Electronics website: <http://www.renesas.com>

April 1st, 2010
Renesas Electronics Corporation

Issued by: Renesas Electronics Corporation (<http://www.renesas.com>)

Send any inquiries to <http://www.renesas.com/inquiry>.

Notice

1. All information included in this document is current as of the date this document is issued. Such information, however, is subject to change without any prior notice. Before purchasing or using any Renesas Electronics products listed herein, please confirm the latest product information with a Renesas Electronics sales office. Also, please pay regular and careful attention to additional and different information to be disclosed by Renesas Electronics such as that disclosed through our website.
2. Renesas Electronics does not assume any liability for infringement of patents, copyrights, or other intellectual property rights of third parties by or arising from the use of Renesas Electronics products or technical information described in this document. No license, express, implied or otherwise, is granted hereby under any patents, copyrights or other intellectual property rights of Renesas Electronics or others.
3. You should not alter, modify, copy, or otherwise misappropriate any Renesas Electronics product, whether in whole or in part.
4. Descriptions of circuits, software and other related information in this document are provided only to illustrate the operation of semiconductor products and application examples. You are fully responsible for the incorporation of these circuits, software, and information in the design of your equipment. Renesas Electronics assumes no responsibility for any losses incurred by you or third parties arising from the use of these circuits, software, or information.
5. When exporting the products or technology described in this document, you should comply with the applicable export control laws and regulations and follow the procedures required by such laws and regulations. You should not use Renesas Electronics products or the technology described in this document for any purpose relating to military applications or use by the military, including but not limited to the development of weapons of mass destruction. Renesas Electronics products and technology may not be used for or incorporated into any products or systems whose manufacture, use, or sale is prohibited under any applicable domestic or foreign laws or regulations.
6. Renesas Electronics has used reasonable care in preparing the information included in this document, but Renesas Electronics does not warrant that such information is error free. Renesas Electronics assumes no liability whatsoever for any damages incurred by you resulting from errors in or omissions from the information included herein.
7. Renesas Electronics products are classified according to the following three quality grades: “Standard”, “High Quality”, and “Specific”. The recommended applications for each Renesas Electronics product depends on the product’s quality grade, as indicated below. You must check the quality grade of each Renesas Electronics product before using it in a particular application. You may not use any Renesas Electronics product for any application categorized as “Specific” without the prior written consent of Renesas Electronics. Further, you may not use any Renesas Electronics product for any application for which it is not intended without the prior written consent of Renesas Electronics. Renesas Electronics shall not be in any way liable for any damages or losses incurred by you or third parties arising from the use of any Renesas Electronics product for an application categorized as “Specific” or for which the product is not intended where you have failed to obtain the prior written consent of Renesas Electronics. The quality grade of each Renesas Electronics product is “Standard” unless otherwise expressly specified in a Renesas Electronics data sheets or data books, etc.
 - “Standard”: Computers; office equipment; communications equipment; test and measurement equipment; audio and visual equipment; home electronic appliances; machine tools; personal electronic equipment; and industrial robots.
 - “High Quality”: Transportation equipment (automobiles, trains, ships, etc.); traffic control systems; anti-disaster systems; anti-crime systems; safety equipment; and medical equipment not specifically designed for life support.
 - “Specific”: Aircraft; aerospace equipment; submersible repeaters; nuclear reactor control systems; medical equipment or systems for life support (e.g. artificial life support devices or systems), surgical implantations, or healthcare intervention (e.g. excision, etc.), and any other applications or purposes that pose a direct threat to human life.
8. You should use the Renesas Electronics products described in this document within the range specified by Renesas Electronics, especially with respect to the maximum rating, operating supply voltage range, movement power voltage range, heat radiation characteristics, installation and other product characteristics. Renesas Electronics shall have no liability for malfunctions or damages arising out of the use of Renesas Electronics products beyond such specified ranges.
9. Although Renesas Electronics endeavors to improve the quality and reliability of its products, semiconductor products have specific characteristics such as the occurrence of failure at a certain rate and malfunctions under certain use conditions. Further, Renesas Electronics products are not subject to radiation resistance design. Please be sure to implement safety measures to guard them against the possibility of physical injury, and injury or damage caused by fire in the event of the failure of a Renesas Electronics product, such as safety design for hardware and software including but not limited to redundancy, fire control and malfunction prevention, appropriate treatment for aging degradation or any other appropriate measures. Because the evaluation of microcomputer software alone is very difficult, please evaluate the safety of the final products or system manufactured by you.
10. Please contact a Renesas Electronics sales office for details as to environmental matters such as the environmental compatibility of each Renesas Electronics product. Please use Renesas Electronics products in compliance with all applicable laws and regulations that regulate the inclusion or use of controlled substances, including without limitation, the EU RoHS Directive. Renesas Electronics assumes no liability for damages or losses occurring as a result of your noncompliance with applicable laws and regulations.
11. This document may not be reproduced or duplicated, in any form, in whole or in part, without prior written consent of Renesas Electronics.
12. Please contact a Renesas Electronics sales office if you have any questions regarding the information contained in this document or Renesas Electronics products, or if you have any other inquiries.

(Note 1) “Renesas Electronics” as used in this document means Renesas Electronics Corporation and also includes its majority-owned subsidiaries.

(Note 2) “Renesas Electronics product(s)” means any product developed or manufactured by or for Renesas Electronics.

H8/300H Tiny Series

Connecting a Photo Transistor

Introduction

A phototransistor is connected to the analog input pin and the results of A/D conversion are displayed on the 7-segment LEDs.

Target Device

H8/36014

Contents

1. Specifications	2
2. Description of Functions	7
3. Principle of Operation	10
4. Description of Software	12
5. Flowchart.....	17
6. Program Listing.....	19

1. Specifications

1. Figure 1.1 shows the hardware configuration for an example of a phototransistor connection. As is shown in figure 1.1, the phototransistor is connected to the analog input pin 0 (AN0 pin).
2. The signal on the AN0 pin is A/D converted, after which the results of A/D conversion are displayed on the 7-segment LED connected to the I/O port.
3. The 7-segment LED display indicates the 10-bit result of A/D conversion as a hexadecimal value.
4. A/D conversion is at a 0.49152-s interval.

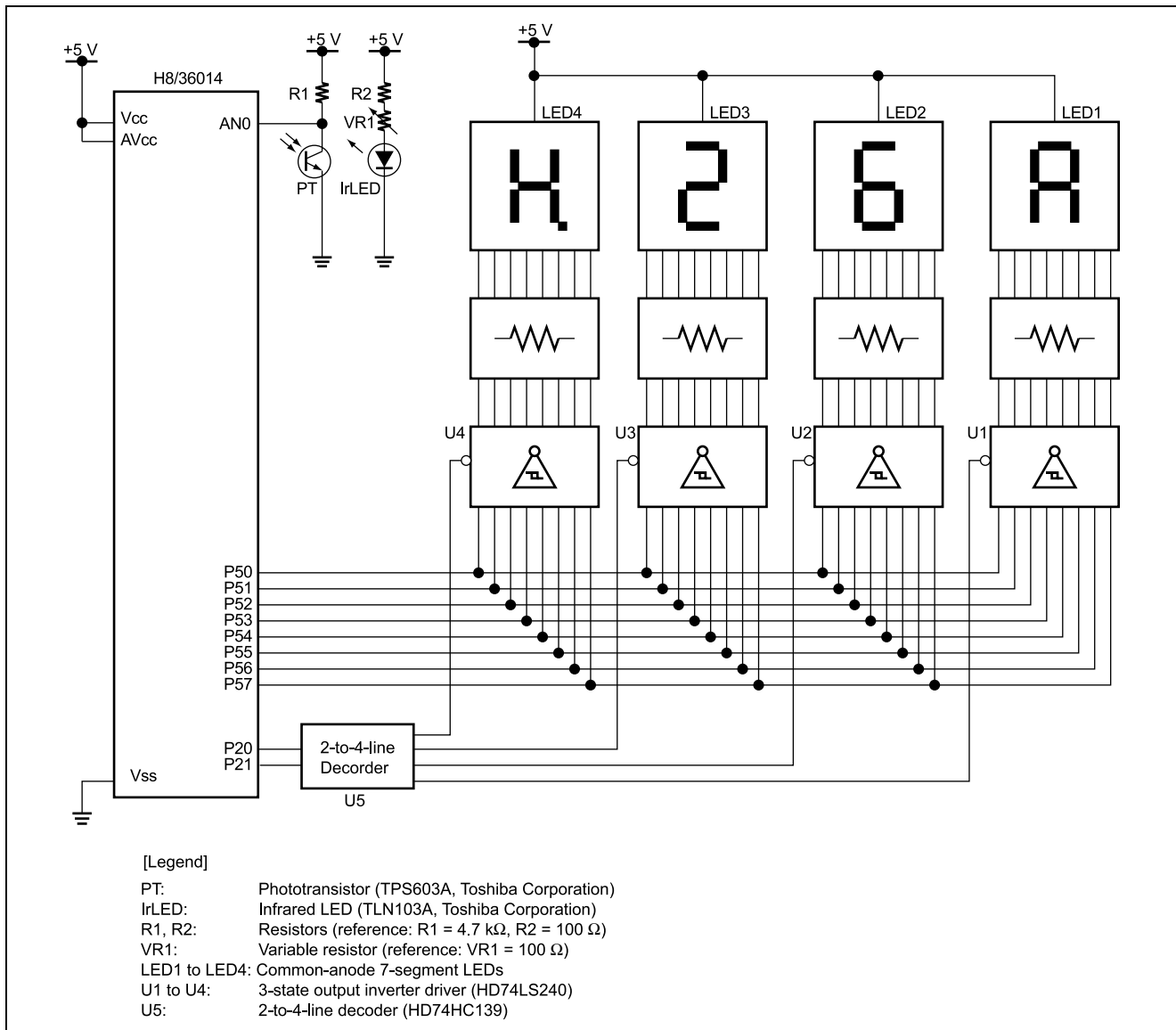


Figure 1.1 Hardware Configuration

5. In this sample task, the H8/36014 operating voltage (Vcc) and analog power supply voltage (AVcc) are 5.0 V, and the OSC clock frequency is 16 MHz.

6. The phototransistor used in this sample task is a product of Toshiba Corporation (model TPS603A). The specifications of the phototransistor are as follows.
- A. Table 1.1 lists the maximum ratings of the phototransistor (TPS603A).

Table 1.1 Maximum Ratings (ambient temperature: Ta = 25°C)

Item	Symbol	Rating	Unit
Collector-to-emitter voltage	V_{CEO}	20	V
Emitter-to-collector voltage	V_{ECO}	5	V
Collector current	I_c	20	mA
Collector dissipation	P_c	75	mW
Collector dissipation reduction rate (Ta > 25°C)	$\Delta P_c/^\circ C$	-1	mW/°C
Operating temperature	T_{opr}	-20 to 75	°C
Storage temperature	T_{stg}	-30 to 100	°C

- B. Table 1.2 shows the electrical and optical characteristics of the phototransistor (TPS603A).

Table 1.2 Electrical and Optical Characteristics (ambient temperature: Ta = 25°C)

Item	Symbol	Measurement Condition	Min.	Typ.	Max.	Unit	
Dark current	$I_D(I_{CEO})$	$V_{CE} = 10V, E = 0$	—	0.01	0.1	μA	
Photocurrent	$I_L(I_C)$	$V_{CE} = 3V, E = 0.1\text{ mW/cm}^2*$	6	20	—	μA	
Collector-to-emitter saturation voltage	$V_{CE(sat)}$	$I_c = 1\ \mu A, E = 0.1\text{ mW/cm}^2*$	—	0.2	0.4	V	
Switching time	Rise time	t_r	$V_{CC} = 10V, I_c = 1\text{ mA}, R_L = 1k\Omega$	—	9	—	μs
	Fall time			t_f	—	10	—
Peak sensitivity wave length	λ_p	—	—	720	—	nm	
Half-value angle	$\theta_{1/2}$	—	—	± 55	—	°	

Note: * Color temperature: 2870K standard tungsten electric bulb

7. Features of the phototransistor are described below.
- A. The phototransistor is a transistor having no base lead. The collector current varies according to the light incident on the receiving surface.
- B. Since the phototransistor is a current-output type sensor, the output voltage is obtained through current-to-voltage conversion. The phototransistor is typically used for on-off control in combinations with the LED. Figure 1.2 shows the relation between the brightness and output current.
- C. The voltage is output when the gap between the phototransistor and the infrared LED placed opposite the phototransistor is occluded.

8. Operation of this sample task is described below.
 - A. The output voltage is approximately 0 V when the light from the infrared LED is sufficiently received, and the voltage is output when the brightness falls below 3 mW/cm². When the brightness becomes 0 mW/cm² (dead darkness), 5 V, which is the power supply voltage, is output.
 - B. In the normal translucent state, where the output voltage is 0 V, the 10-bit A/D-converted result is displayed on the 7-segment LEDs in hexadecimal as "H'000".
 - C. In the completely shielded state, where the output voltage is 5 V, the 10-bit A/D-converted result is displayed on the 7-segment LEDs in hexadecimal as "H'3FF".

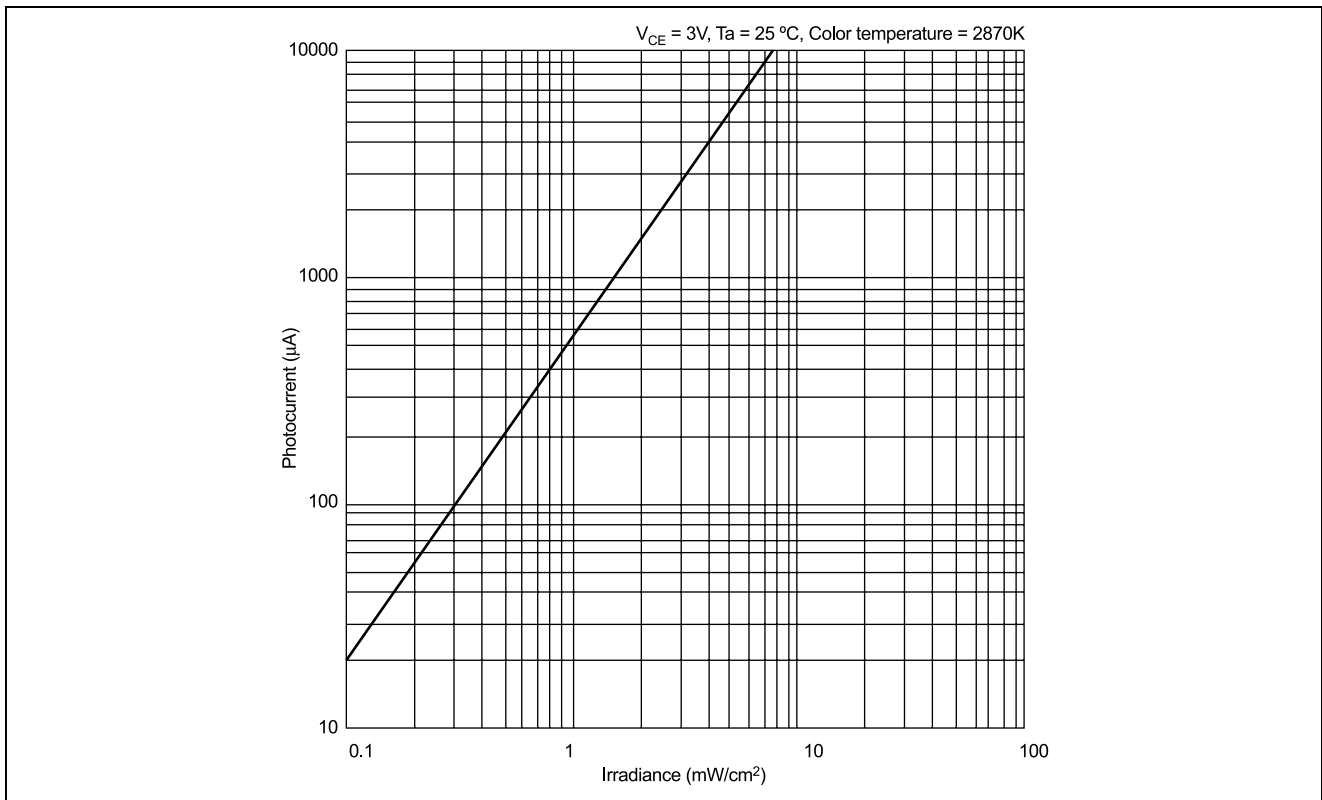


Figure 1.2 Relation of Irradiance and Photocurrent of TPS603A (Reference)

9. In this sample task, display on the 7-segment LED is handled by attaching port outputs from the microcontroller to the inputs to the tri-state-output inverter drivers (HD74LS240), the outputs from which are in turn connected to the cathodes of the 7-segment LEDs. The same eight port-output pins are used to control the display on each of the four 7-segment LEDs. The enable pins of the tri-state inverter driver control switching between the 7-segment displays. The signals used to switch between the displays are generated by a 2-to-4-line decoder (HD74HC139), which is controlled by two port-pin outputs. Figure 1.3 shows how the 7-segment LEDs are controlled.

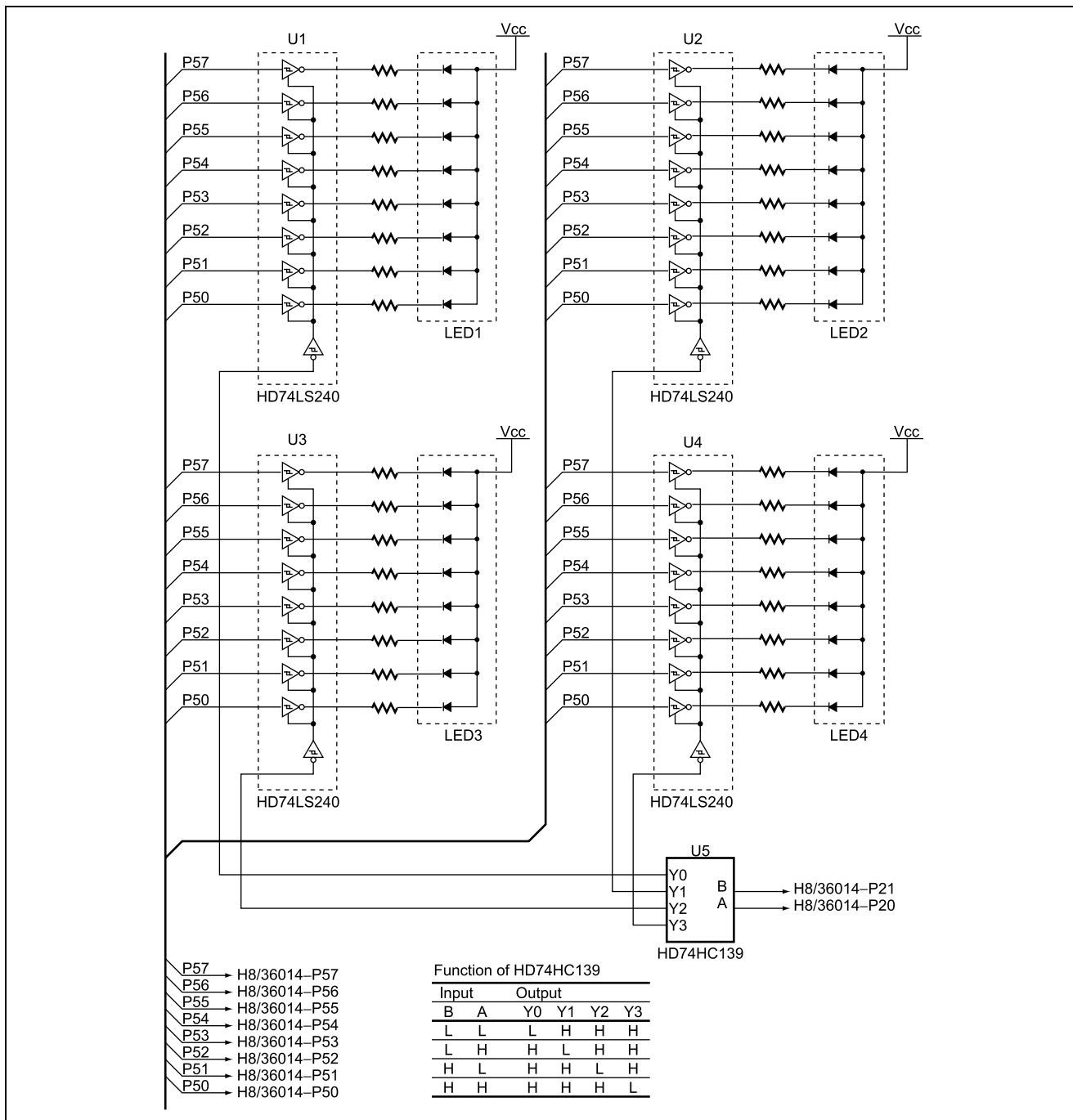


Figure 1.3 7-Segment LED Control

10. In this sample task, the results of A/D conversion are displayed in hexadecimal format (H'3FF to H'000) on three of the 7-segment LEDs. Figure 1.4 shows how this is done.

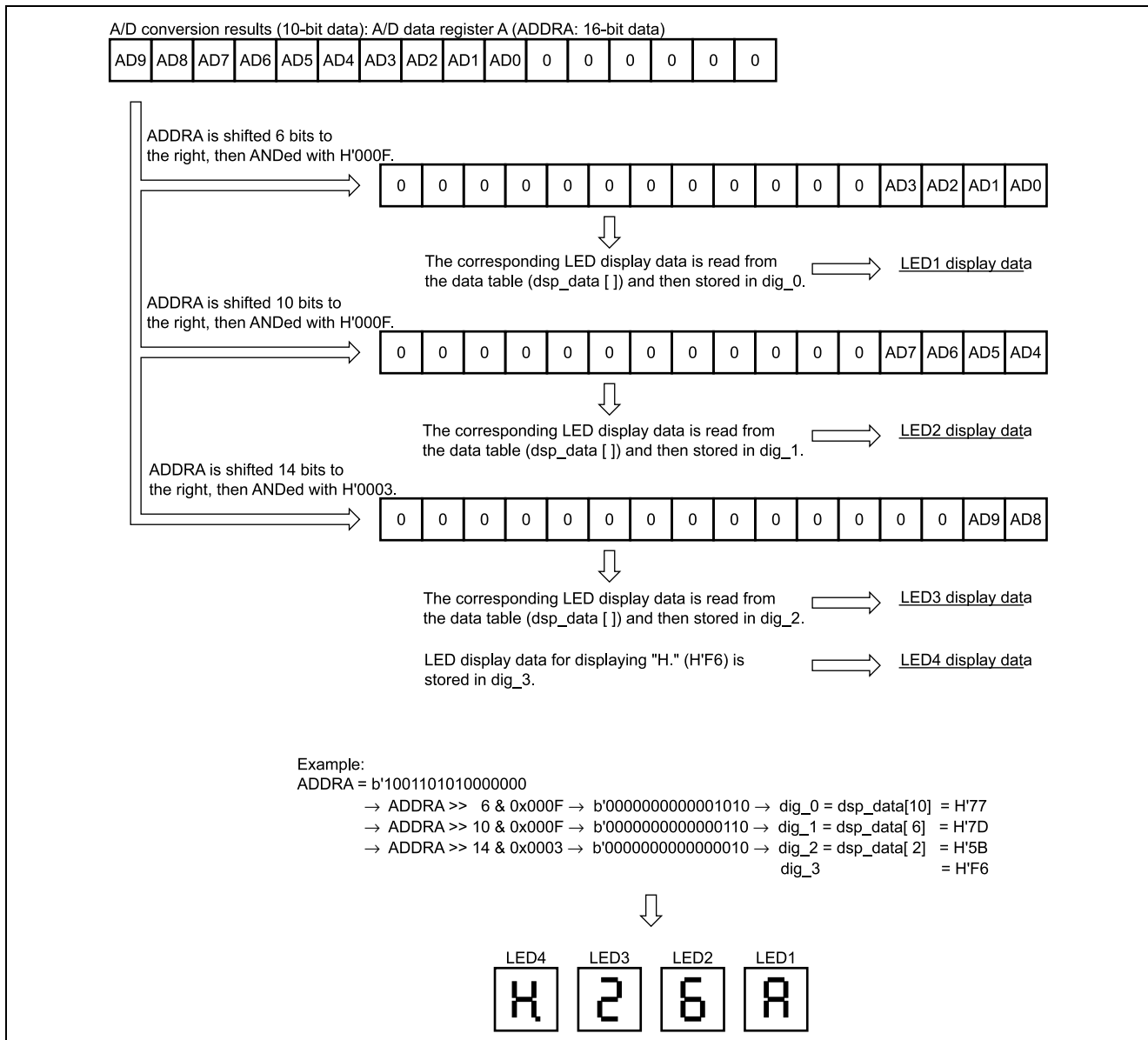


Figure 1.4 How A/D Conversion Results are Displayed on the LEDs

2. Description of Functions

- Figure 2.1 shows the functions used in the H8/36014 for this sample task, while table 2.1 indicates the allocation of functions.

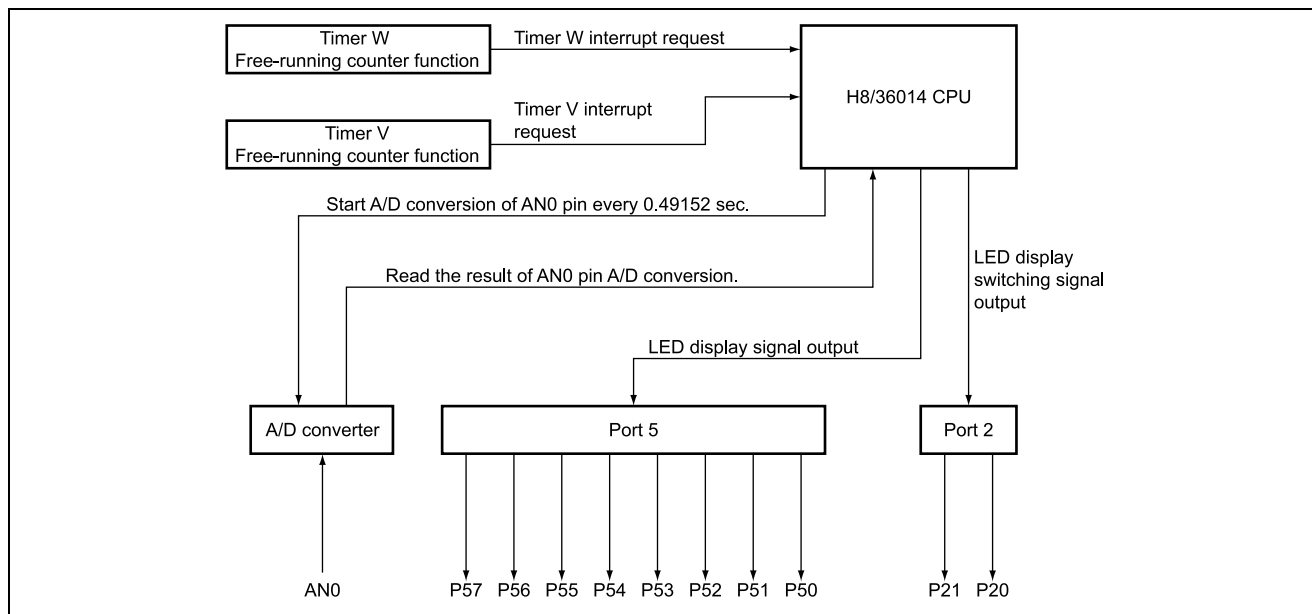


Figure 2.1 Block Diagram of the Functions in Use

Table 2.1 Function Allocation

Function	Function Allocation
Timer W	The timer W's free-running counter function is used to perform A/D conversion of the signal on the analog input pin 0 (AN0). The A/D conversion period is detected in terms of the timer W's overflow cycle of 32.768 ms.
Timer V	Timer V's free-running function is used to control switching of the 7-segment LED display. Each of the four 7-segment LEDs is lit in sequence at an interval of 2.048 ms, which is the time taken for timer V to overflow. This obtains dynamic illumination from the LEDs.
A/D converter	This unit A/D-converts the voltage that varies in response to the collector current, which varies according to the amount of light received by the phototransistor connected to analog input pin 0 (AN0) of the A/D converter.
Port 2	The active 7-segment LED display is switched by the P20 and P21 output pins of port 2. These pins are connected to the input/output pins of the 2-to-4-line decoder.
Port 5	The data for display on the currently active 7-segment LED is placed on the P50 to P57 output pins of port 5. The 10 bits of data produced by A/D conversion of the value on the AN0 pin are converted to 3 digits of hexadecimal data for display, this is then converted to obtain the data that places the corresponding figure on the LED.

2. Figure 2.2 shows how the 7-segment LED used in this task is connected. A high output from port 5 lights up the corresponding segment as shown by the figure. Table 2.2 shows the relationship between the output from port 5 and the display on the LED.

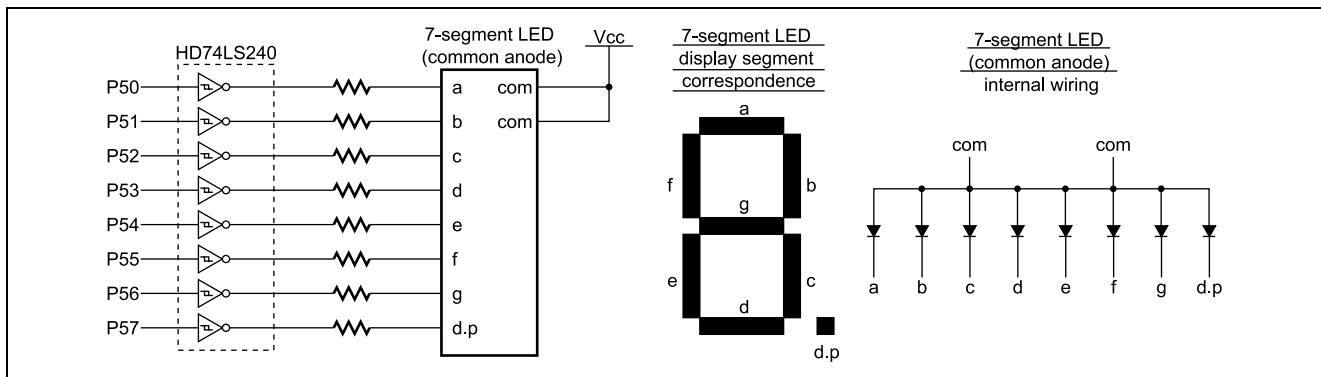


Figure 2.2 7-Segment LED Connections and Internal Wiring

Table 2.2 Relation between Port 5 Outputs and 7-Segment LED Display Data

LED Display	Port 5 Output Data								LED Display	Port 5 Output Data							
	P57	P56	P55	P54	P53	P52	P51	P50		P57	P56	P55	P54	P53	P52	P51	P50
	0	0	1	1	1	1	1	1		0	1	1	1	0	1	1	1
	0	0	0	0	0	1	1	0		0	1	1	1	1	1	0	0
	0	1	0	1	1	0	1	1		0	0	1	1	1	0	0	1
	0	1	0	0	1	1	1	1		0	1	0	1	1	1	1	0
	0	1	1	0	0	1	1	0		0	1	1	1	1	0	0	1
	0	1	1	0	1	1	0	1		0	1	1	1	0	0	0	1
	0	1	1	1	1	1	0	1		0	1	0	0	0	0	0	0
	0	0	1	0	0	1	1	1		1	1	1	1	0	1	1	0
	0	1	1	1	1	1	1	1									
	0	1	1	0	1	1	1	1									

3. Principle of Operation

- Figure 3.1 shows the principle of operation in the use of timer W and A/D conversion carried out on the AN0 pin. The A/D conversion interrupt is not used in this sample task. Instead, the time to start A/D conversion (0.49152 s) and completion of A/D conversion are detected by polling of the timer W overflow flag in the tmrw routine.

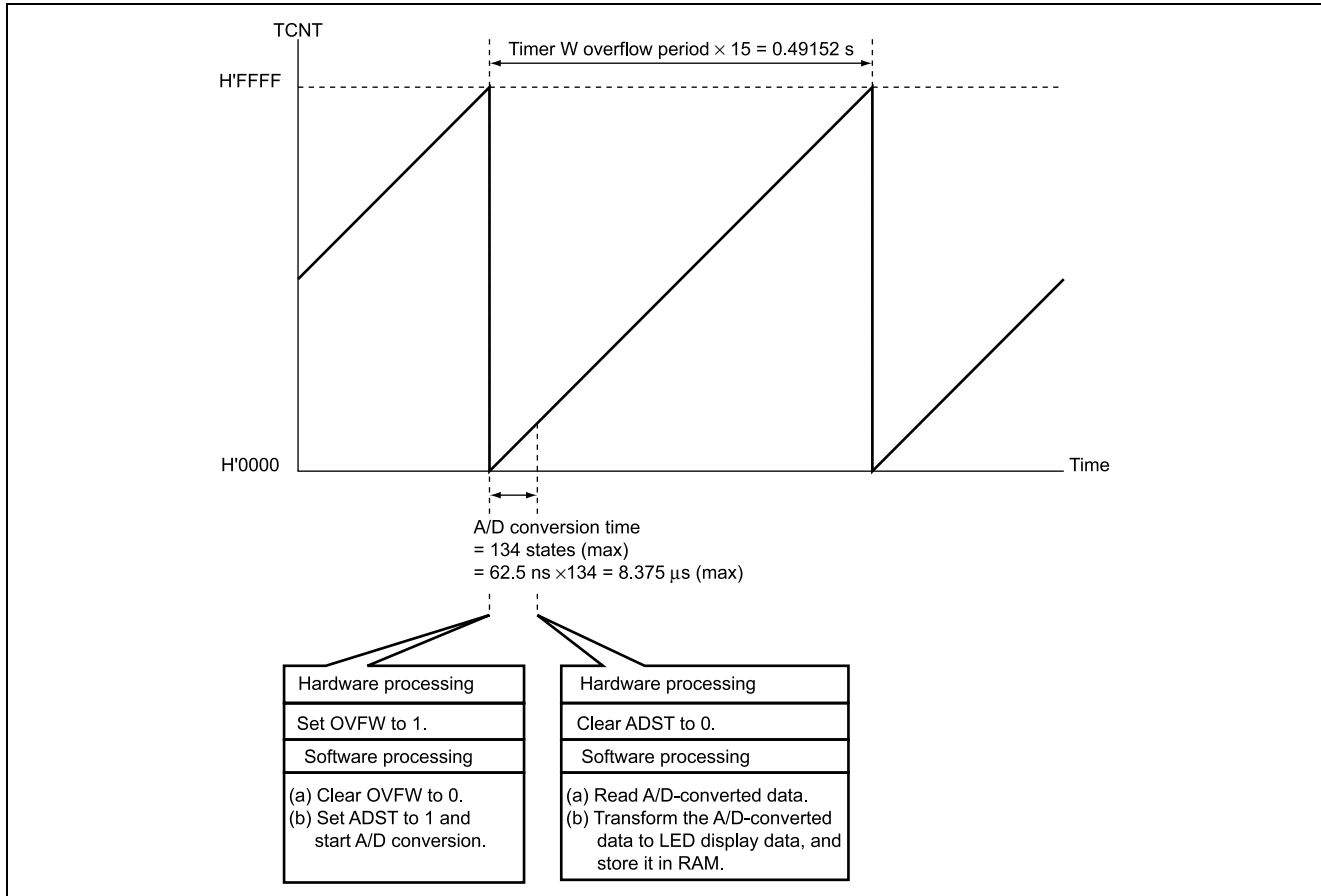


Figure 3.1 Principle of Operation of A/D Conversion of AN0-Pin Signal Using Timer W

2. The principle applied in controlling the 7-segment displays is explained below. Figure 3.2 depicts the situation where 3210 is being displayed on LED4 to LED1. As the figure shows, the next display in sequence of LED1 to LED4 is lit up each time a timer-V overflow period elapses, creating a dynamic display on the 7-segment LED.

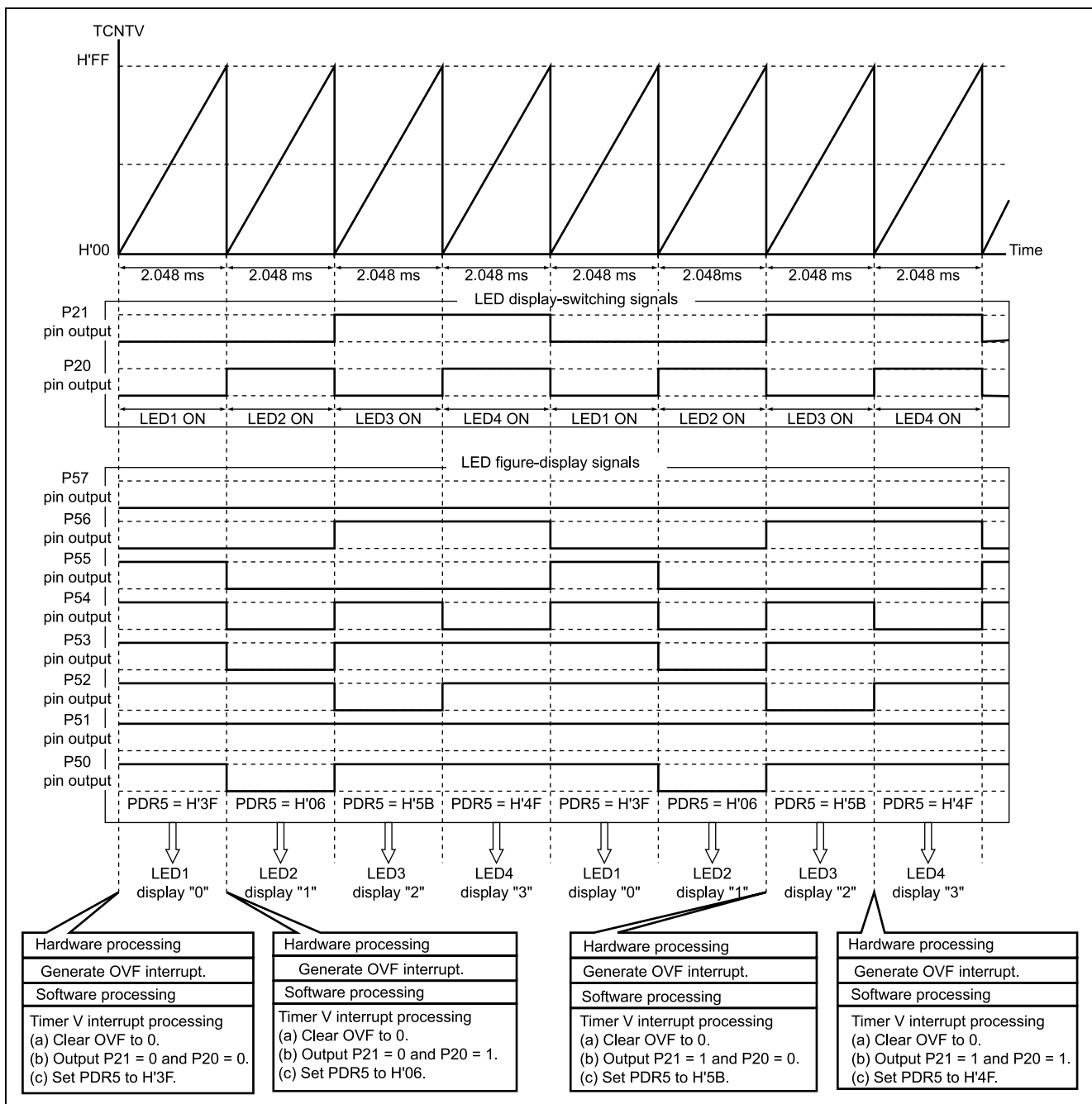


Figure 3.2 Principle of Operation of 7-Segment LED Display Control

4. Description of Software

4.1 Modules

Table 4.1 describes the modules used in this sample task.

Table 4.1 Description of Modules

Module Name	Label Name	Function
Main routine	main	Makes initial settings and enables interrupts.
Timer W interrupt processing routine	tmrw	Clears the interrupt flags, transforms A/D-converted data into LED-display data, and stores the result in RAM.
Timer V interrupt processing routine	tmrv	Clears the interrupt flags and controls output of LED-display data and switching of display from LED to LED.

4.2 Arguments

No arguments are used in this sample task.

4.3 Internal Registers

The internal registers used in this sample task are described in table 4.2.

Table 4.2 Description of Internal Registers

Register Name	Function	Address	Setting
TCRV0	Timer control register V0 Selects TCNTV input clock, sets condition for clearing of TCNTV, and controls the individual timer V interrupt requests.	H'FFA0	H'03 (initial setting)
CMIEB	Compare Match Interrupt Enable B: When CMIEB = 0, interrupt requests on setting of the CMFB bit in TCSRv are disabled.	Bit 7	0
CMIEA	Compare Match Interrupt Enable A: When CMIEA = 0, interrupt requests on setting of the CMFA bit in TCSRv are disabled.	Bit 6	0
OVIE	Timer Overflow Interrupt Enable: When OVIE = 0, interrupt requests on setting of the OVF bit in TCSRv are disabled. When OVIE = 1, interrupt requests on setting of the OVF bit in TCSRv are enabled.	Bit 5	0/1
CCLR1	Counter Clear 1 and 0:	Bit 4	0
CCLR0	Sets the conditions for clearing of TCNTV. When CCLR1 = 0 and CCLR0 = 0 are both set, clearing of TCNTV is disabled.	Bit 3	0
CKS2	Clock Select 2 to 0:	Bit 2	0
CKS1	In combination with the ICKS0 bit of TCRV1, selects the clock	Bit 1	1
CKS0	signal for input to TCNTV and the condition to be counted. With CKS2 = 0, CKS1 = 1, CKS0 = 1 and ICKS0 = 1, counting by TCNTV is of the falling edges of the internal clock $\phi/128$.	Bit 0	1

Register Name	Function	Address	Setting
TCSR	Timer Control/Status Register V: Holds the overflow and compare-match status flags for timer V and controls output in response to a match.	H'FFA1	H'10
CMFB	Compare Match Flag B: When the values of TCNTV and TCORB match, CMFB is set to 1.	Bit 7	0
CMFA	Compare Match Flag A: When the values of TCNTV and TCORA match, CMFA is set to 1.	Bit 6	0
OVF	Timer Overflow Flag: When the value of TCNTV overflows, OVF is set to 1. This bit is cleared by reading it while it is set and then writing a 0 to it.	Bit 5	0
OS3	Output Select Bits 3 and 2:	Bit 3	0
OS2	Selects the output level on the TMOV pin in response to a match for compare-match B. When OS3 = 0 and OS2 = 0: No change	Bit 2	0
OS1	Output Select Bits 1 and 0:	Bit 1	0
OS0	Selects the output level on the TMOV pin in response to a match for compare-match A. When OS = 0 and OS0 = 0: No change	Bit 0	0
TCRV1	Timer Control Register V1: Selects the input edge of the TRGV pin, enables TRGV input, and selects the TCNTV input clock.	H'FFA5	H'E3
TVEG1	TRGV Input Edge Selects 1 and 0:	Bit 4	0
TVEG0	Selects the input edge of the TRGV pin. In this case TVEG1 = 0 and TVEG0 = 0, so trigger input from the TRGV pin is disabled.	Bit 3	0
TRGE	TRGV Input Enable: Enables and disables incrementing of TCNTV count on the edge input selected by TVEG1 and TVEG0. In this case TRGE = 0, so counting by TCNTV is not affected by the input to the TRGV pin.	Bit 2	0
ICKS0	Internal Clock Select 0: Selects the clock input to TCNTV and condition counted, in combination with the CKS2 to CKS0 bits of TCRV0. In this case CKS2 = 0, CKS1 = 1, CKS0 = 1 and ICKS0 = 1, so counting by TCNTV is of the falling edges of the internal clock $\phi/128$.	Bit 0	1
TMRW	Timer mode register W: Selects general register functions and the timer output mode.	H'FF80	H'80
CTS	Counter start: When CTS = 1, indicates TCNT has started counting. When CTS = 0, indicates TCNT has stopped counting.	Bit 7	1

Register Name	Function	Address	Setting
TCRW	Timer control register W: Selects the input clock for the counter and sets counter clearing conditions and the level of timer output.	H'FF81	H'30
CKS2	Clock select:	Bit 6	0
CKS1	When CKS2 = 0, CKS1 = 1 and CKS0 = 1, specifies the TCNT	Bit 5	1
CKS0	input clock as the system clock divided by 8.	Bit 4	1
TIERW	Timer interrupt enable register W: Controls timer W interrupt requests.	H'FF82	H'00 (at initial setting)
OVIE	Timer overflow interrupt enable: When OVIE = 0, disables interrupt requests by OVF. When OVIE = 1, enables interrupt requests by OVF.	Bit 7	0/1
TSRW	Timer status register W Indicates interrupt request statuses.	H'FF83	H'00
OVF	Timer overflow: When OVF = 0, indicates TCNT has not overflowed When OVF = 1, indicates that TCNT has overflowed.	Bit 7	0
TCNT	Timer counter: 16-bit upward counter which takes as input the system clock divided by 8.	H'FF86	H'00
ADCSR	A/D control/status register: Consists of A/D converter control bits and conversion status bits	H'FFB8	H'00 (initial setting)
ADF	A/D End Flag: On completion of A/D conversion in single mode, ADF is set to 1. Clear this bit by writing 0 to it after reading it as 1.	Bit 7	0
ADIE	A/D Interrupt Enable: When ADIE = 0, A/D Conversion End interrupt requests by the ADF are disabled.	Bit 6	0
ADST	A/D Start: Initiates A/D conversion by setting this bit to 1. This is automatically cleared to 0 on completion of A/D conversion in single mode.	Bit 5	0/1
SCAN	Scan Mode: When SCAN = 0, A/D conversion is in the single mode.	Bit 4	0
CKS	Clock Select: When CKS = 0, the A/D conversion period = 134 cycles (max.).	Bit 3	0
CH2	Channel Select Bits 2 to 0:	Bit 2	0
CH1	Select the analog input channel.	Bit 1	0
CH0	CH2 = 0, CH1 = 0 and CH0 = 0 (when SCAN = 0) are set to select AN0.	Bit 0	0

Register Name	Function	Address	Setting
ADCR	A/D Control Register: Enables the start of A/D conversion in response to an external trigger.	H'FFB9	H'7E
TRGE	Trigger Enable: When TRGE = 0, starting A/D conversion in response to edge input on an external trigger pin ($\overline{\text{ADTRG}}$) is disabled.	Bit 7	0
ADDRA	A/D data register A: Stores the results of A/D conversion of the signal on AN0.	H'FFB0	—
PCR2	Port control register 2: Provides pin-by-pin control of input/output selection for the pins of port 2 that have been set as general purpose I/O pins. When PCR2 = H'03, pin P22 functions as a general-purpose input pin, while P21 and P20 function as general-purpose output pins.	H'FFE5	H'03
PDR2	Port data register 2: General I/O port data register for port 2	H'FFD5	H'F8
PMR5	Port mode register 5: Sets the port 5 pin functions	H'FFE1	H'00
POF7	P57 pin function switching: POF7 = 0 selects the general-purpose I/O port function for P57.	Bit 7	0
POF6	P56 pin function switching: POF6 = 0 selects the general-purpose I/O port function for P56.	Bit 6	0
WKP5	P55/ $\overline{\text{WKP5}}$ /ADTRG Pin Function Switching: WKP5 = 0 selects the general-purpose I/O port function for P55.	Bit 5	0
WKP4	P54/ $\overline{\text{WKP4}}$ Pin Function Switching: WKP4 = 0 selects the general-purpose I/O port function for P54.	Bit 4	0
WKP3	P53/ $\overline{\text{WKP3}}$ Pin Function Switching: WKP3 = 0 selects the general-purpose I/O port function for P53.	Bit 3	0
WKP2	P52/ $\overline{\text{WKP2}}$ Pin Function Switching: WKP2 = 0 selects the general-purpose I/O port function for P52.	Bit 2	0
WKP1	P51/ $\overline{\text{WKP1}}$ Pin Function Switching: WKP1 = 0 selects the general-purpose I/O port function for P51.	Bit 1	0
WKP0	P50/ $\overline{\text{WKP0}}$ Pin Function Switching: WKP0 = 0 selects the general-purpose I/O port function for P50.	Bit 0	0
PUCR5	Port pull-up control register 5: Provides pin-by-pin control of the pull-up MOSFET for the pins of port 5 that have been set as inputs. When PUCR5 = H'00, the pull-up MOSFETs of the P55 to P50 pins are turned off.	H'FFD1	H'00

Register Name	Function	Address	Setting
PDR5	Port data register 5: General I/O port data register for port 5	H'FFD8	H'00
PCR5	Port control register 5: Provides pin-by-pin control of input/output selection for the pins of port 2 that have been set as general purpose I/O pins. When PCR5 = H'FF, the pins P57 to P50 function as general-purpose output pins.	H'FFE8	H'FF

4.4 Description of RAM

Table 4.3 describes the RAM used in this sample task.

Table 4.3 Description of RAM

Label Name	Function	Address	Used in
dig_0	Stores LED1 display data. (1 byte)	H'FB80	main, tmrw
dig_1	Stores LED2 display data. (1 byte)	H'FB81	main, tmrw
dig_2	Stores LED3 display data. (1 byte)	H'FB82	main, tmrw
dig_3	Stores LED4 display data. (1 byte)	H'FB83	main, tmrw
cnt	8-bit counter used in switching display from LED1 to LED4. (1 byte)	H'FB84	main, tmrw
counter_sub	8-bit counter used for adjustment of A/D data acquisition intervals. (1 byte)	H'FB85	main, tmrw

4.5 Description of Data Table

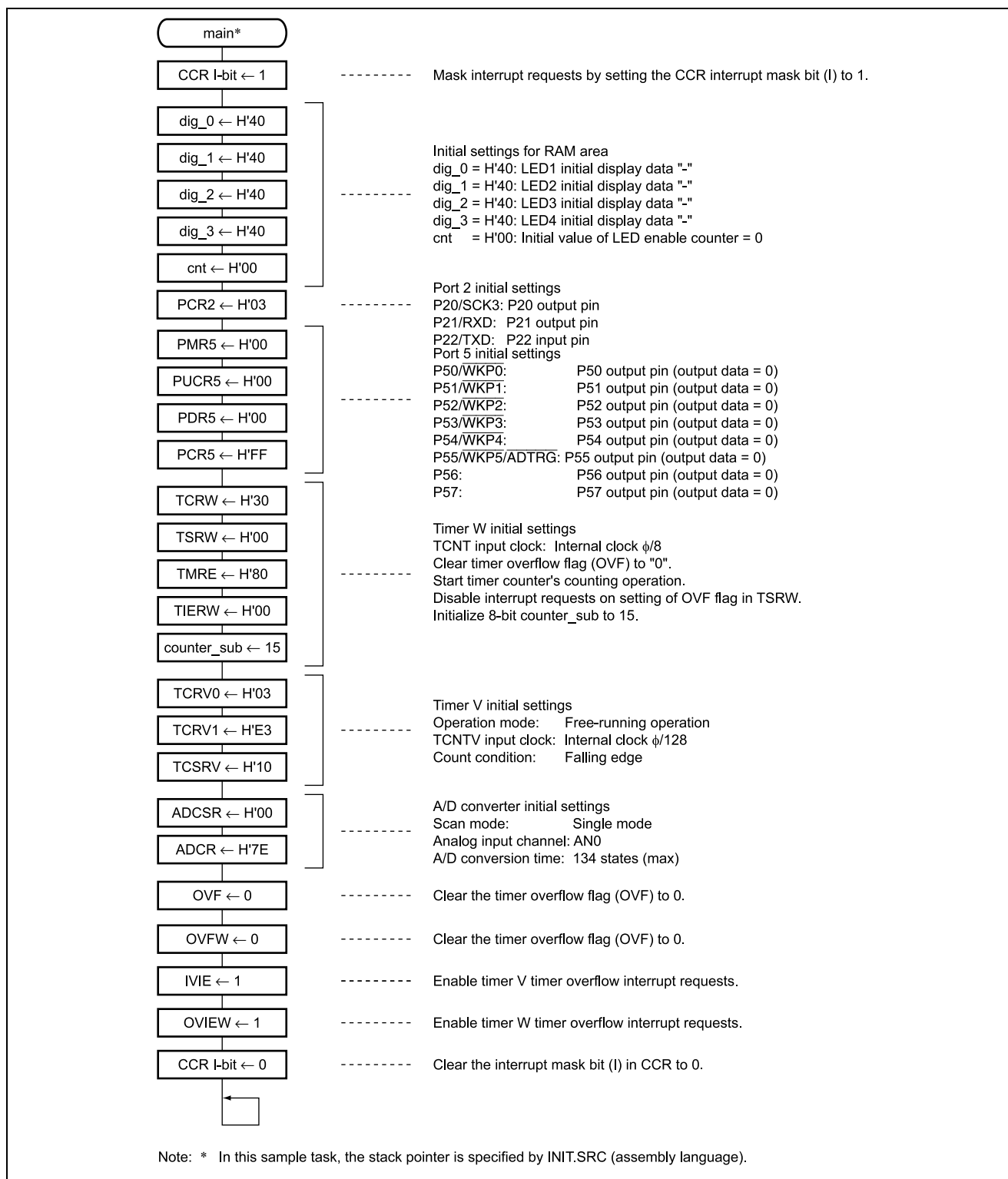
In this sample task, display data for the 7-segment LED displays are stored in the ROM as a 1-dimensional array (data table). Table 4.4 describes the data table of display data (dsp_data []).

Table 4.4 Description of 7-Segment LED Display Data Table (dsp_data[])

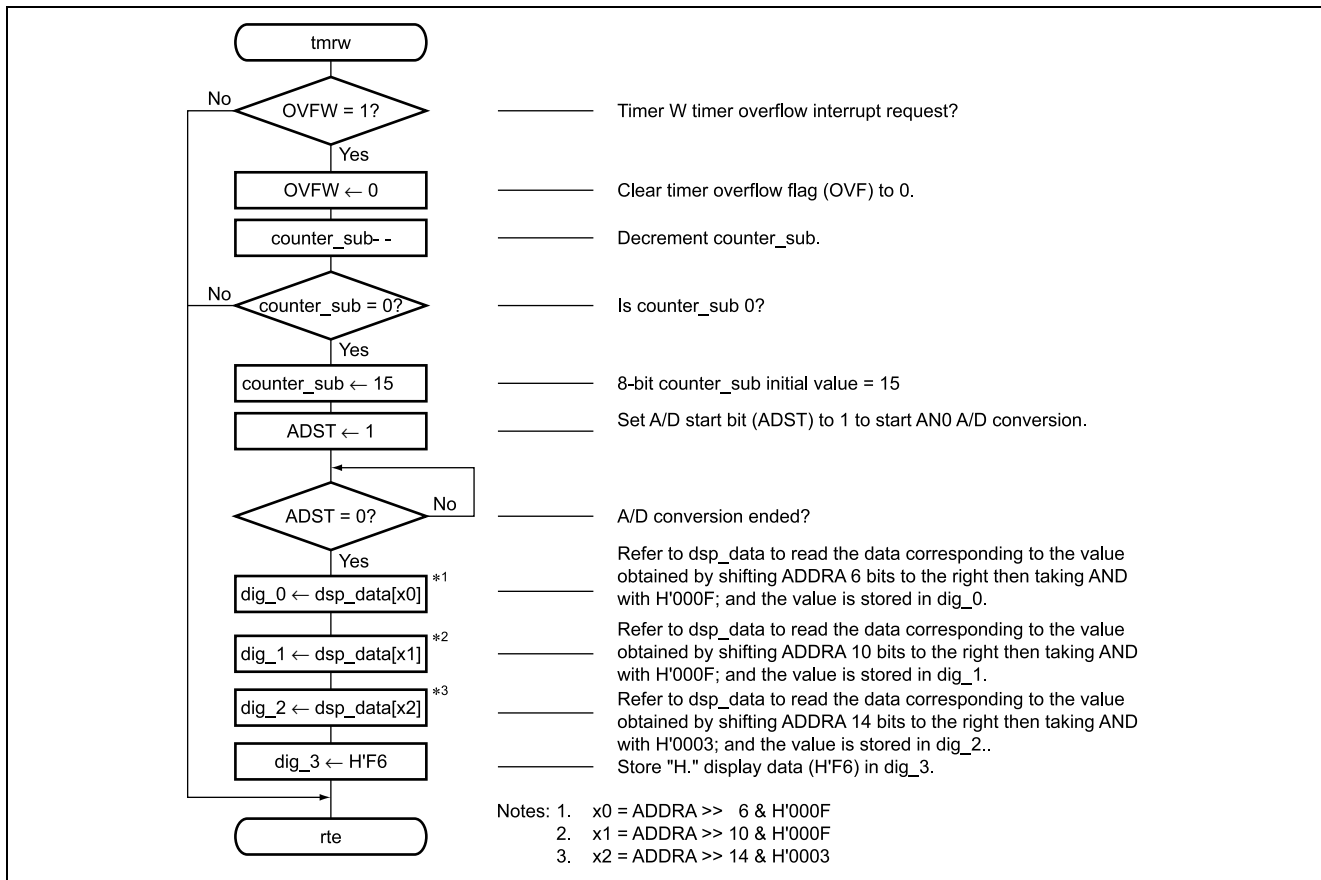
Array Name	Data	Data Description	Data Size	Address
dsp_data[0]	H'3F	Data output from port 5 to display "0"	1 byte	H'021C
dsp_data[1]	H'06	Data output from port 5 to display "1"	1 byte	H'021D
dsp_data[2]	H'5B	Data output from port 5 to display "2"	1 byte	H'021E
dsp_data[3]	H'4F	Data output from port 5 to display "3"	1 byte	H'021F
dsp_data[4]	H'66	Data output from port 5 to display "4"	1 byte	H'0220
dsp_data[5]	H'6D	Data output from port 5 to display "5"	1 byte	H'0221
dsp_data[6]	H'7D	Data output from port 5 to display "6"	1 byte	H'0222
dsp_data[7]	H'27	Data output from port 5 to display "7"	1 byte	H'0223
dsp_data[8]	H'7F	Data output from port 5 to display "8"	1 byte	H'0224
dsp_data[9]	H'6F	Data output from port 5 to display "9"	1 byte	H'0225
dsp_data[10]	H'77	Data output from port 5 to display "A"	1 byte	H'0226
dsp_data[11]	H'7C	Data output from port 5 to display "b"	1 byte	H'0227
dsp_data[12]	H'39	Data output from port 5 to display "C"	1 byte	H'0228
dsp_data[13]	H'5E	Data output from port 5 to display "d"	1 byte	H'0229
dsp_data[14]	H'79	Data output from port 5 to display "E"	1 byte	H'022A
dsp_data[15]	H'71	Data output from port 5 to display "F"	1 byte	H'022B

5. Flowchart

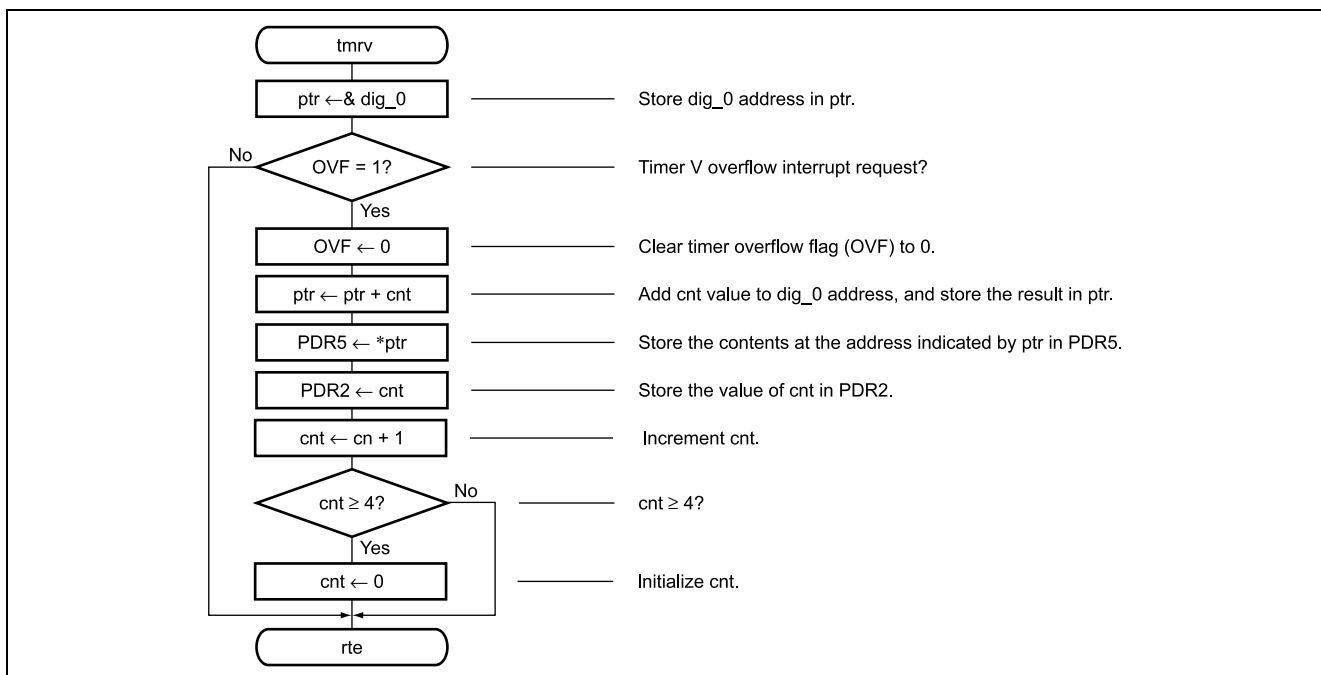
1. Main routine (main)



2. Timer W interrupt processing routine (tmrw)



3. Timer V interrupt processing routine (tmrv)



6. Program Listing

INIT.SRC (program list)

```

.export  _INIT
.import  _main
;
.section P,CODE
_INIT:
mov.w   #h'ff80,r7
ldc.b   #b'10000000,ccr
jmp     @_main
;
.end

/* H8/300H tiny Series -H8/36014- Application note */
/* Application example */
/* Connecting a phototransistor */

#include <machine.h>

/* Symbol definition */
struct BIT {
    unsigned char b7:1;    /* bit 7 */
    unsigned char b6:1;    /* bit 6 */
    unsigned char b5:1;    /* bit 5 */
    unsigned char b4:1;    /* bit 4 */
    unsigned char b3:1;    /* bit 3 */
    unsigned char b2:1;    /* bit 2 */
    unsigned char b1:1;    /* bit 1 */
    unsigned char b0:1;    /* bit 0 */
};

#define PDR2      *(volatile unsigned char *)0xFFD5    /* Port data register 2 */
#define PCR2      *(volatile unsigned char *)0xFFE5    /* Port control register 2 */

#define PMR5      *(volatile unsigned char *)0xFFE1    /* Port mode register 5 */
#define PUCR5     *(volatile unsigned char *)0xFFD1    /* Port pull-up control register 5 */
#define PDR5      *(volatile unsigned char *)0xFFD8    /* Port data register 5 */
#define PCR5      *(volatile unsigned char *)0xFFE8    /* Port control register 5 */
#define TMRW      *(volatile unsigned char *)0xFF80    /* Timer mode register W */
#define TCRW      *(volatile unsigned char *)0xFF81    /* Timer control register W */
#define TCRW_BIT  (*(struct BIT *)0xFF81)             /* Timer Control Register W */
#define TIERW     *(volatile unsigned char *)0xFF82    /* Timer interrupt enable register W */
#define TIERW_BIT (*(struct BIT *)0xFF82)             /* Timer Interrupt Enable Register */
#define OVIEW     TIERW_BIT.b7                       /* Timer Overflow Interrupt Enable W */
#define TSRW      *(volatile unsigned char *)0xFF83    /* Timer status register W */
#define TSRW_BIT  (*(struct BIT *)0xFF83)             /* Timer Status Register W */
#define OVFW      TSRW_BIT.b7                         /* Timer Over flow W */

#define TCRV0     *(volatile unsigned char *)0xFFA0    /* Timer control register V0 */
#define TCRV0_BIT (*(struct BIT *)0xFFA0)             /* Timer overflow interrupt enable */
#define OVIE      TCRV0_BIT.b5                       /* Timer overflow interrupt enable */
#define TCSRW     *(volatile unsigned char *)0xFFA1    /* Timer control/status register V */
#define TCSRW_BIT (*(struct BIT *)0xFFA1)             /* Timer control/status register V */
#define OVF       TCSRW_BIT.b5                       /* Timer overflow flag */
#define TCRV1     *(volatile unsigned char *)0xFFA5    /* Timer control register V1 */

```

```

#define ADCSR      *(volatile unsigned char *)0xFFB8          /* A/D control/status register      */
#define ADCSR_BIT  (*(struct BIT *)0xFFB8)
#define ADST       ADCSR_BIT.b5                               /* A/D start                          */
#define ADCR       *(volatile unsigned char *)0xFFB9          /* A/D control register              */
#define ADDR_A     *(volatile unsigned int *)0xFFB0           /* A/D data register A               */
#define ADDR_B     *(volatile unsigned int *)0xFFB2           /* A/D data register A               */
#define ADDR_C     *(volatile unsigned int *)0xFFB4           /* A/D data register A               */
#define ADDR_D     *(volatile unsigned int *)0xFFB6           /* A/D data register A               */

#pragma interrupt (tmrw)
#pragma interrupt (tmrv)

/* Function definition
extern void INIT(void);          /* Stack pointer set
void main(void);                /* main routine
void tmrw(void);                /* Timer W interrupt routine
void tmrv(void);                /* Timer V interrupt routine

/* Data table
const unsigned char dsp_data[16] =
{
0x3f,          /* LED display data = "0"
    0x06,      /* LED display data = "1"
    0x5b,      /* LED display data = "2"
    0x4f,      /* LED display data = "3"
    0x66,      /* LED display data = "4"
    0x6d,      /* LED display data = "5"
    0x7d,      /* LED display data = "6"
    0x27,      /* LED display data = "7"
    0x7f,      /* LED display data = "8"
    0x6f,      /* LED display data = "9"
    0x77,      /* LED display data = "A"
    0x7c,      /* LED display data = "B"
    0x39,      /* LED display data = "C"
    0x5e,      /* LED display data = "D"
    0x79,      /* LED display data = "E"
    0x71,      /* LED display data = "F"
};

/* RAM define
unsigned char dig_0;          /* Dig-0 LED display data store
unsigned char dig_1;          /* Dig-1 LED display data store
unsigned char dig_2;          /* Dig-2 LED display data store
unsigned char dig_3;          /* Dig-3 LED display data store
unsigned char cnt;            /* LED enable counter
unsigned char counter_sub;

/* Vector address
#pragma section V1           /* Vector section set
void (*const VEC_TBL1[]) (void) = {
    INIT                      /* H'0000 Reset vector
};
#pragma section V2           /* Vector section set
void (*const VEC_TBL2[]) (void) = {
    tmrw                      /* H'002a Timer W interrupt vector
};

```

```

#pragma section V3 /* Vector section set */
void (*const VEC_TBL3[])(void) = {
    tmrv /* H'002c Timer V interrupt vector */
};
#pragma section /* P */

/*****
/* Main program */
*****/
void main(void)
{
    set_imask_ccr(1); /* CCR I-bit = 1 */

    dig_0 = 0x40; /* Used RAM area initialize */
    dig_1 = 0x40; /* Used RAM area initialize */
    dig_2 = 0x40; /* Used RAM area initialize */
    dig_3 = 0x40; /* Used RAM area initialize */
    cnt = 0x00; /* Used RAM area initialize */

    PCR2 = 0x03; /* Port 2 initialize */

    PMR5 = 0x00; /* Port 5 initialize */
    PUCR5 = 0x00;
    PDR5 = 0x00;
    PCR5 = 0xff;

    TCRW = 0x30; /* Timer W initialize */
    TSRW = 0x00; /* Clock Select */
    TMRW = 0x80; /* Clear OVF */
    TIERW = 0x00; /* Timer Counter Count Start */
    counter_sub = 15; /* OVF Interrupt Disable */
    /* Initialize 8bit Counter_sub */

    TCRV0 = 0x03; /* Timer V initialize */
    TCRV1 = 0xe3; /* Internal clock select */
    TCSRV = 0x10; /* Clear OVF to 0 */

    ADCSR = 0x00; /* A/D converter initialize */
    ADCR = 0x7e;

    OVF = 0; /* Clear OVF to 0 */
    OVFW = 0; /* Clear OVF to 0 */
    OVIE = 1; /* Timer V OVF interrupt enable */
    OVIEW = 1; /* Timer W OVF interrupt enable */

    set_imask_ccr(0); /* CCR I-bit = 0 */

    while(1);
}

```

```

/*****
/*   Timer W Interrupt
/*****
void tmrw(void)
{
    if ( OVFW == 1 ) {
        OVFW = 0;                /* Clear OVF                */
        counter_sub--;          /* Decrement 8bit Counter   */
        if ( counter_sub == 0x00 ){
            counter_sub = 15;   /* 8bit Counter != H'00    */
            ADST = 1;          /* Initialize 8bit Counter_sub */
            A/D converter start */
            while(ADST == 1);   /* A/D converter end ?     */
            dig_0 = dsp_data[ADDRA >> 6 & 0x000f]; /* Dig-0 LED display data set */
            dig_1 = dsp_data[ADDRA >> 10 & 0x000f]; /* Dig-1 LED display data set */
            dig_2 = dsp_data[ADDRA >> 14 & 0x0003]; /* Dig-2 LED display data set */
            dig_3 = 0xf6;      /* Dig-3 LED display data set */
        }
    }
}

/*****
/*   Timer V Interrupt
/*****
void tmrv(void)
{
    unsigned char *ptr;        /* Pointer set                */

    ptr = &dig_0;            /* LED display data store address set */

    while(OVF == 1){
        OVF = 0;            /* OVF = 1 ?                */
        ptr += cnt;        /* Clear OVF to 0           */
        PDR5 = *ptr;      /* LED display data read     */
        PDR2 = cnt;      /* LED display data output  */
        cnt++;          /* LED enable data output   */
        if (cnt >= 4){
            cnt = 0;      /* "cnt" increment         */
            /* 4 times end ?
            /* "cnt" initialize
    }
}

```


Revision Record

Rev.	Date	Description	
		Page	Summary
1.00	Sep.29.03	—	First edition issued

Keep safety first in your circuit designs!

1. Renesas Technology Corporation puts the maximum effort into making semiconductor products better and more reliable, but there is always the possibility that trouble may occur with them. Trouble with semiconductors may lead to personal injury, fire or property damage. Remember to give due consideration to safety when making your circuit designs, with appropriate measures such as (i) placement of substitutive, auxiliary circuits, (ii) use of nonflammable material or (iii) prevention against any malfunction or mishap.

Notes regarding these materials

1. These materials are intended as a reference to assist our customers in the selection of the Renesas Technology Corporation product best suited to the customer's application; they do not convey any license under any intellectual property rights, or any other rights, belonging to Renesas Technology Corporation or a third party.
2. Renesas Technology Corporation assumes no responsibility for any damage, or infringement of any third-party's rights, originating in the use of any product data, diagrams, charts, programs, algorithms, or circuit application examples contained in these materials.
3. All information contained in these materials, including product data, diagrams, charts, programs and algorithms represents information on products at the time of publication of these materials, and are subject to change by Renesas Technology Corporation without notice due to product improvements or other reasons. It is therefore recommended that customers contact Renesas Technology Corporation or an authorized Renesas Technology Corporation product distributor for the latest product information before purchasing a product listed herein.
The information described here may contain technical inaccuracies or typographical errors. Renesas Technology Corporation assumes no responsibility for any damage, liability, or other loss rising from these inaccuracies or errors.
Please also pay attention to information published by Renesas Technology Corporation by various means, including the Renesas Technology Corporation Semiconductor home page (<http://www.renesas.com>).
4. When using any or all of the information contained in these materials, including product data, diagrams, charts, programs, and algorithms, please be sure to evaluate all information as a total system before making a final decision on the applicability of the information and products. Renesas Technology Corporation assumes no responsibility for any damage, liability or other loss resulting from the information contained herein.
5. Renesas Technology Corporation semiconductors are not designed or manufactured for use in a device or system that is used under circumstances in which human life is potentially at stake. Please contact Renesas Technology Corporation or an authorized Renesas Technology Corporation product distributor when considering the use of a product contained herein for any specific purposes, such as apparatus or systems for transportation, vehicular, medical, aerospace, nuclear, or undersea repeater use.
6. The prior written approval of Renesas Technology Corporation is necessary to reprint or reproduce in whole or in part these materials.
7. If these products or technologies are subject to the Japanese export control restrictions, they must be exported under a license from the Japanese government and cannot be imported into a country other than the approved destination.
Any diversion or reexport contrary to the export control laws and regulations of Japan and/or the country of destination is prohibited.
8. Please contact Renesas Technology Corporation for further details on these materials or the products contained therein.