

Application Note

SLG46140 RC OSC Current Source Feature

AN-CM-288

Abstract

This application note describes how enabling and disabling the RC OSC current source to always be turned on in the SLG46140 chip affects the delay block functionality.

This application note comes complete with design files which can be found in the References section.

SLG46140 RC OSC Current Source Feature

Contents

Abstract	1
Contents	2
Figures	2
1 Terms and Definitions	3
2 References	3
3 Introduction	4
4 Current Source Option in RC OSC	4
5 Results	5
6 Conclusions	6
Revision History	6

Figures

Figure 1: Delay Based Square Wave Generator.....	4
Figure 2: RC OSC Block Properties	4
Figure 3: Delay Block Properties.....	5
Figure 4: Square Wave while Constant Current Source is Disabled	5
Figure 5: Square Wave while Constant Current Source is Enabled	6

SLG46140 RC OSC Current Source Feature

1 Terms and Definitions

RC OSC RC Oscillator

2 References

For related documents and software, please visit:

<https://www.dialog-semiconductor.com/products/greenpak>.

Download our free [GreenPAK™](#) Designer software [1] to open the .gp files [2] and view the proposed circuit design. Use the [GreenPAK](#) development tools [3] to freeze the design into your own customized IC in a matter of minutes. Find out more in complete library of application notes [4] featuring design examples as well as explanations of features and blocks within the GreenPAK IC.

- [1] [GreenPAK Designer Software](#), Software Download and User Guide
- [2] [AN-CM-288 SLG46140 RC OSC.gp](#), [GreenPAK](#) Design File
- [3] [GreenPAK Development Tools](#), [GreenPAK](#) Development Tools Webpage
- [4] [GreenPAK Application Notes](#), [GreenPAK](#) Application Notes Webpage
- [5] SLG46140, Datasheet

Author: Gino Castillo

SLG46140 RC OSC Current Source Feature

3 Introduction

The SLG46140 has a feature to control whether the RC OSC current source is always turned on or not while in the auto power on power mode. Disabling the RC OSC current source always turned on setting allows for the device to reduce its power consumption but can also cause functionality issues if not handled properly. This app note discusses how enabling and disabling this feature affects the delay block functionality.

4 Current Source Option in RC OSC

Setting the current source in RC OSC to always be turned on shortens the RC OSC startup time but introduces a 200nA on current. This option is disabled by default to achieve the lowest possible quiescent current. If a delay block is clocked by the RC OSC while the current source is disabled from always being turned on, there will be a noticeable 260ms start time that will prolong the delay. A square waveform generator as shown in [Figure 1](#) was used to demonstrate this longer delay time. Refer to [Figure 2](#) and [Figure 3](#) for the RC OSC and delay block settings respectively. Setting the RC OSC power mode to force power on will override not always turning on the current source, so this option only applies to when it is set to auto power on.

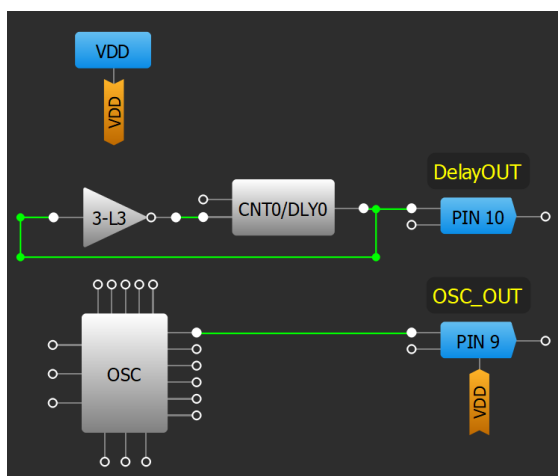


Figure 1: Delay Based Square Wave Generator

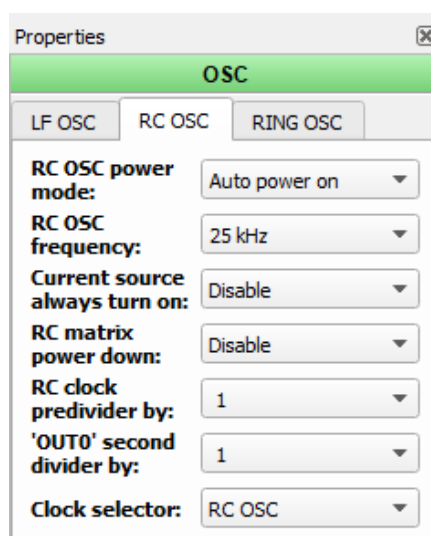


Figure 2: RC OSC Block Properties

SLG46140 RC OSC Current Source Feature

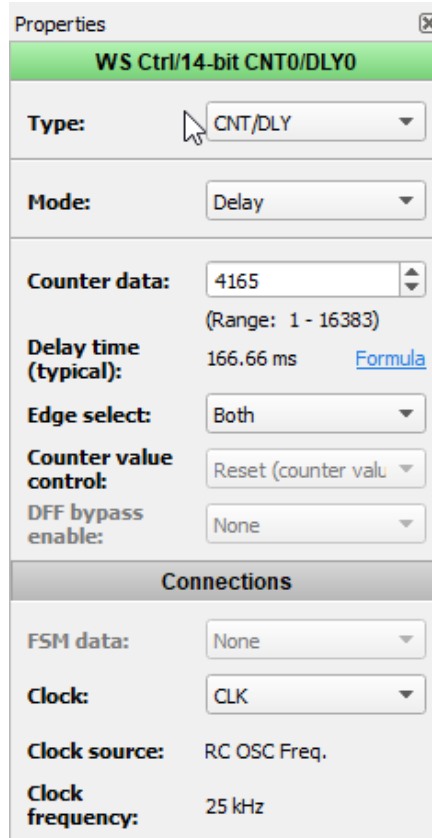


Figure 3: Delay Block Properties

5 Results

Channel 1 (yellow/top line) - PIN#9 (OSC_OUT)

Channel 2 (light blue/2nd line) - PIN#10 (DelayOUT)

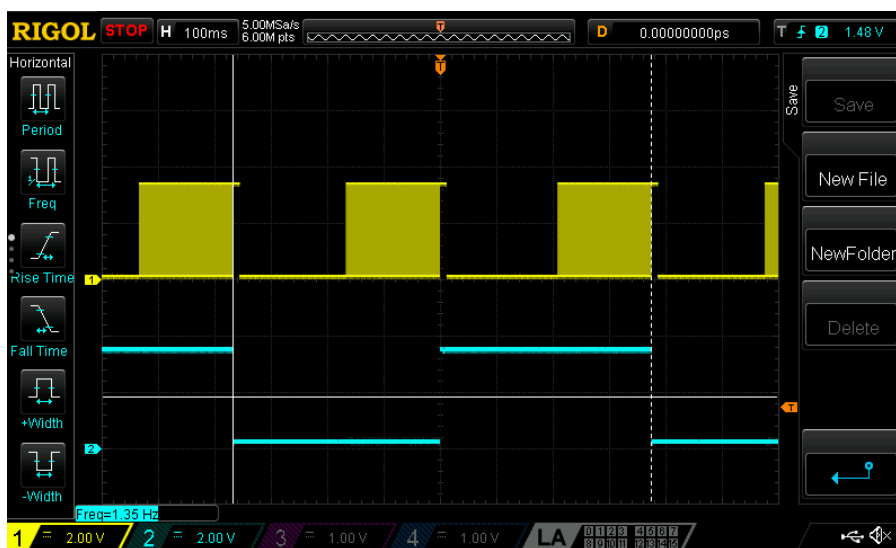


Figure 4: Square Wave while Constant Current Source is Disabled

SLG46140 RC OSC Current Source Feature

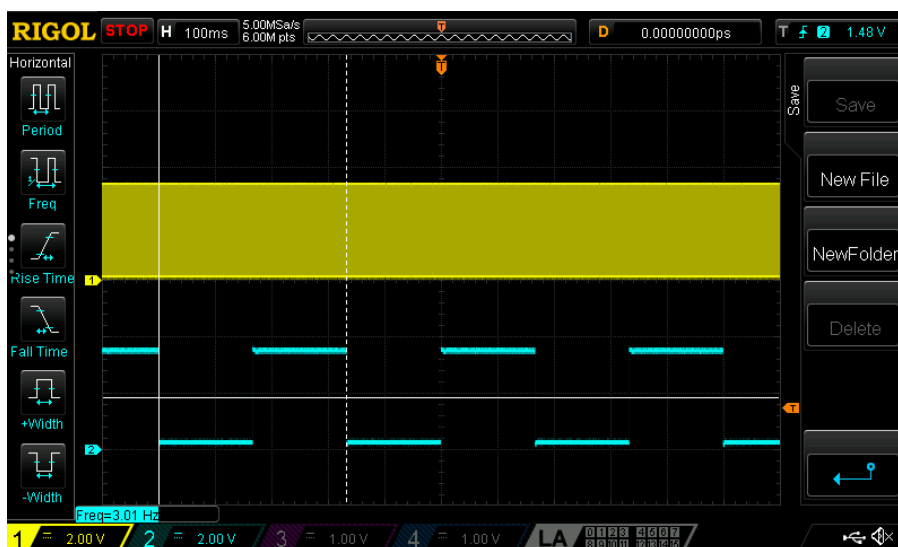


Figure 5: Square Wave while Constant Current Source is Enabled

Figure 4 shows that if the current source is not always turned on, the square wave will have an elongated period since the RC OSC needs to restart every time the delay is activated. If the feature is enabled, the square wave generator will operate properly without this start up time and run seamlessly as shown in Figure 5.

6 Conclusions

Choosing to not always turn on the current source of the RC OSC reduces the quiescent current of the SLG46140. If the delay block isn't used or isn't clocked by the RC OSC in the design this feature can be useful to reduce power consumption. If the design requires a delay that is clocked by the RC OSC, however, the current source will need to always be turned on for the delay to properly work. This setting only applies for the delay using the CNT/DLY block as a delay. A counter will require the RC OSC to force power on to properly work anyways and an edge detect doesn't require a clock to function.

Revision History

Revision	Date	Description
1.0	09-Oct-2019	Initial version

IMPORTANT NOTICE AND DISCLAIMER

RENESAS ELECTRONICS CORPORATION AND ITS SUBSIDIARIES (“RENESAS”) PROVIDES TECHNICAL SPECIFICATIONS AND RELIABILITY DATA (INCLUDING DATASHEETS), DESIGN RESOURCES (INCLUDING REFERENCE DESIGNS), APPLICATION OR OTHER DESIGN ADVICE, WEB TOOLS, SAFETY INFORMATION, AND OTHER RESOURCES “AS IS” AND WITH ALL FAULTS, AND DISCLAIMS ALL WARRANTIES, EXPRESS OR IMPLIED, INCLUDING, WITHOUT LIMITATION, ANY IMPLIED WARRANTIES OF MERCHANTABILITY, FITNESS FOR A PARTICULAR PURPOSE, OR NON-INFRINGEMENT OF THIRD PARTY INTELLECTUAL PROPERTY RIGHTS.

These resources are intended for developers skilled in the art designing with Renesas products. You are solely responsible for (1) selecting the appropriate products for your application, (2) designing, validating, and testing your application, and (3) ensuring your application meets applicable standards, and any other safety, security, or other requirements. These resources are subject to change without notice. Renesas grants you permission to use these resources only for development of an application that uses Renesas products. Other reproduction or use of these resources is strictly prohibited. No license is granted to any other Renesas intellectual property or to any third party intellectual property. Renesas disclaims responsibility for, and you will fully indemnify Renesas and its representatives against, any claims, damages, costs, losses, or liabilities arising out of your use of these resources. Renesas' products are provided only subject to Renesas' Terms and Conditions of Sale or other applicable terms agreed to in writing. No use of any Renesas resources expands or otherwise alters any applicable warranties or warranty disclaimers for these products.

(Rev.1.0 Mar 2020)

Corporate Headquarters

TOYOSU FORESIA, 3-2-24 Toyosu,
Koto-ku, Tokyo 135-0061, Japan
www.renesas.com

Contact Information

For further information on a product, technology, the most up-to-date version of a document, or your nearest sales office, please visit:
www.renesas.com/contact/

Trademarks

Renesas and the Renesas logo are trademarks of Renesas Electronics Corporation. All trademarks and registered trademarks are the property of their respective owners.