

[New Release]

R20TS0411EJJ0100

Rev.1.00

May. 16, 2019

Renesas Starter Kit for RX72T

- Newly Released Evaluation Tool for "RX72T"

Equipped with High Computing Performance RXv3 core -

Outline

We have released the Renesas Starter Kit for RX72T, which supports the evaluation of the RX family RX72T group devices.

1. Product Overview

The Renesas Starter Kit for RX72T is a perfect starter kit for developers who are new to the RX72T group. The kit includes the following hardware required for system development.

➤ Hardware

- CPU board with a build-in RX72T (1MB code flash, 144-pin) device
- Pmod™-compatible LCD board
- E2 emulator Lite

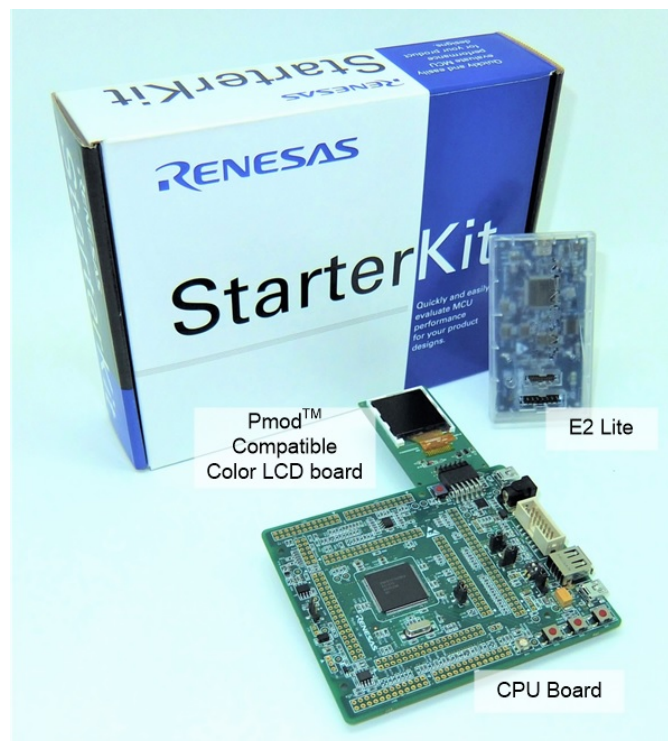


Figure 1 Renesas Starter Kit for RX72T

➤ Software

The Renesas Starter Kit for RX72T Installer containing software required for evaluation can be obtained from the URL below. You can start evaluating immediately by using it in combination with the Renesas Starter Kit for RX72T.

- Download URL for the Renesas Starter Kit for RX72T

<https://www.renesas.com/rskrx72t#downloads>

The following software is included in the Renesas Starter Kit for RX72T Installer*1.

- Integrated development environment (CS+/e² studio)
- Evaluation edition of C/C++ Compiler Package for RX Family
- Evaluation edition of Renesas Flash Programmer
- Sample program for Renesas Starter Kit for RX72T

*1: There are two types of installer available: CS+ IDE version and e² studio version.

For details about the Renesas Starter Kit for RX72T, see the URL below.

- Renesas Starter Kit for RX72T product page

<https://www.renesas.com/rskrx72t>

2. Product Features

- The mounted device has the same functions as RX66T*1, enabling you to also evaluate the functions of RX66T.
- The RX72T with built-in Trusted Secure IP-Lite*2 is mounted, enabling you to evaluate security functions*3 such as AES encryption and robust key management.
- 1 channel USB Function and Host can be evaluated.
- Communication functions such as CAN*4, IIC and SCI can be evaluated.

*1: RX66T device (1MB code flash, 144-pin)

*2: Trusted Secure IP-Lite is a security function that protects the encryption key in addition to the encryption engine that protects communication data.

*3: The product part number (orderable part number) varies depending on whether the product is equipped with a security function. For differences in part numbers, refer to "4. Purchasing the Product".

*4: To use this function, you will need 5V external power supply (e.g. AC adapter). The compatible plug type is center positive, external diameter 5.5mm, inner diameter 2.1mm.

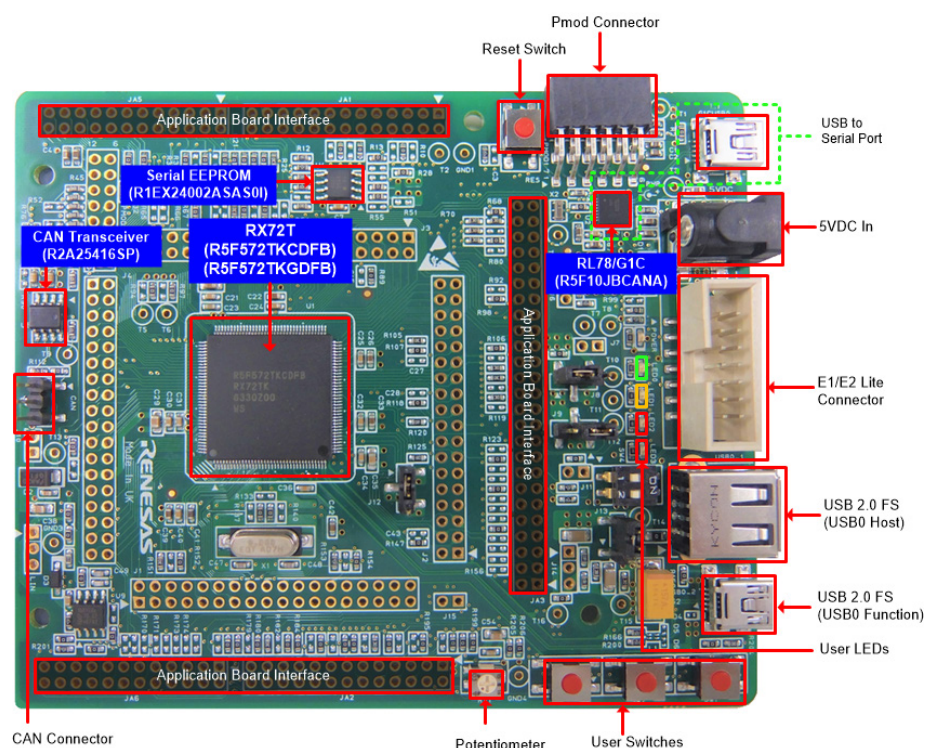


Figure1 CPU Board (Component side)

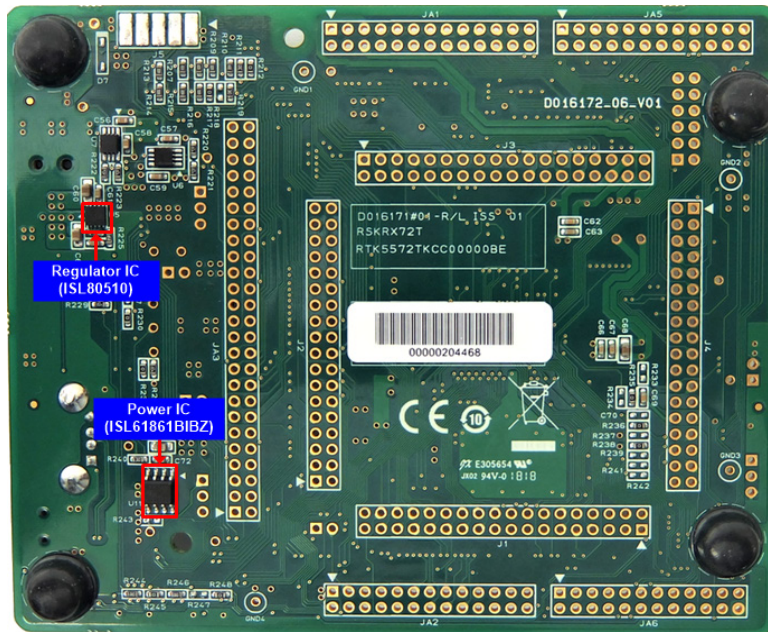


Figure2 CPU Board (Solder side)

3. Operating Environment

- IBM PC/AT compatible
- Windows® 10 (32-bit edition, 64-bit edition)
- Windows 8.1 (32-bit edition, 64-bit edition)
- Windows 7 (32-bit edition, 64-bit edition)
- Processor: 1 GHz or more (supporting hyper-threading and multi-core CPU)
- Memory capacity: 2 GB or more (recommended), minimum 1 GB
(for Windows 10 and Windows 64-bit edition: 2 GB or more).
- Hard disk capacity: at least 1GB of free space
- Display: At least 1024x768 resolution, 65,536 or more colors

4. Purchasing the Product

To order a product, contact your local Renesas Electronics sales office or distributor with the following information.

For product pricing, contact us in the same manner.

Security function	Product part number (orderable part number)	Trusted Secure IP- Lite	Emulator
No	RTK5572TKCS00000BE	No	E2 Lite
Yes	RTK5572TKCS00010BE	Yes	E2 Lite

5. Other Information

When using the Renesas Starter Kit for RX72T, note the following point regarding the use of the temperature sensor function.

See the following web page for details.

<https://www.renesas.com/search/keyword-search.html#genre=document&q=r20zz0206>

Renesas Starter Kit for RX72T Release Note

Document number: R20ZZ0206XG0100

Revision History

Rev.	Date	Description	
		Page	Summary
1.00	May.16.19	-	First edition issued

Renesas Electronics has used reasonable care in preparing the information included in this document, but Renesas Electronics does not warrant that such information is error free. Renesas Electronics assumes no liability whatsoever for any damages incurred by you resulting from errors in or omissions from the information included herein.

The past news contents have been based on information at the time of publication. Now changed or invalid information may be included.

URLs in Tool News also may be subject to change or become invalid without prior notice.

Corporate Headquarters

TOYOSU FORESIA, 3-2-24 Toyosu, Koto-ku, Tokyo 135-0061 Japan

www.renesas.com

Contact information

For further information on a product, technology, the most up-to-date version of a document, or your nearest sales office, please visit:

www.renesas.com/contact/

Trademarks

Renesas and the Renesas logo are trademarks of Renesas Electronics Corporation. All trademarks and registered trademarks are the property of their respective owners.