

[Notes]

R20TS0901EJ0100
 Rev.1.00
 Dec. 16, 2022

Renesas Starter Kit+ for RZ/T2M
 USB-Serial Conversion

Outline

When using the Renesas Starter Kit+ for RZ/T2M, note the following points.

1. Performing terminal output by USB-serial conversion

1. Performing Terminal Output by USB-Serial Conversion

1.1 Applicable Products

Product name: Renesas Starter Kit+ for RZ/T2M

Part number: RTK9RZT2M0S00000BE

Serial number: 240493~240592

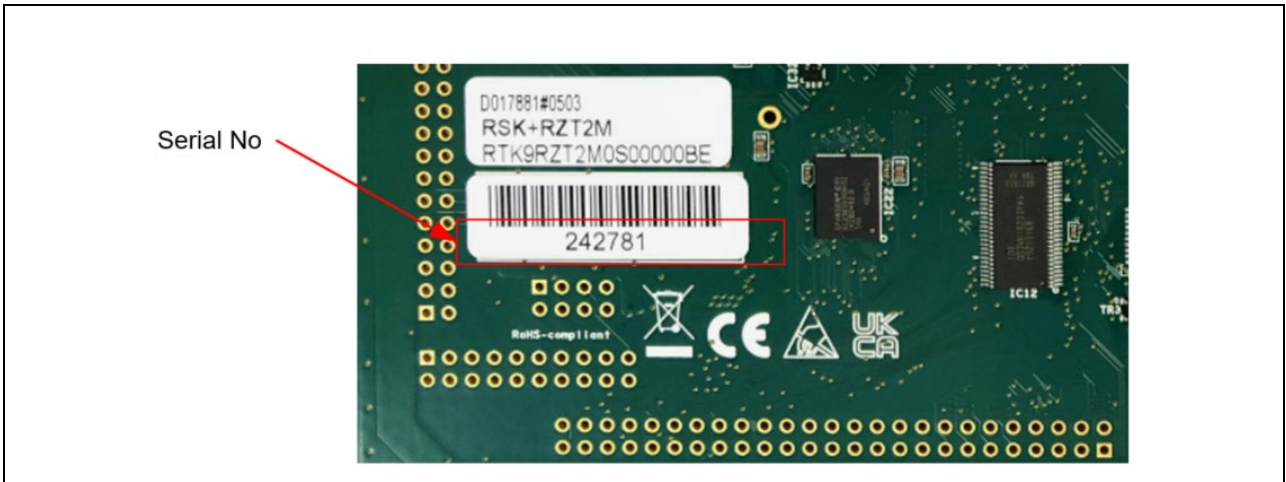


Figure 1: Serial No. location (CPU board solder side)

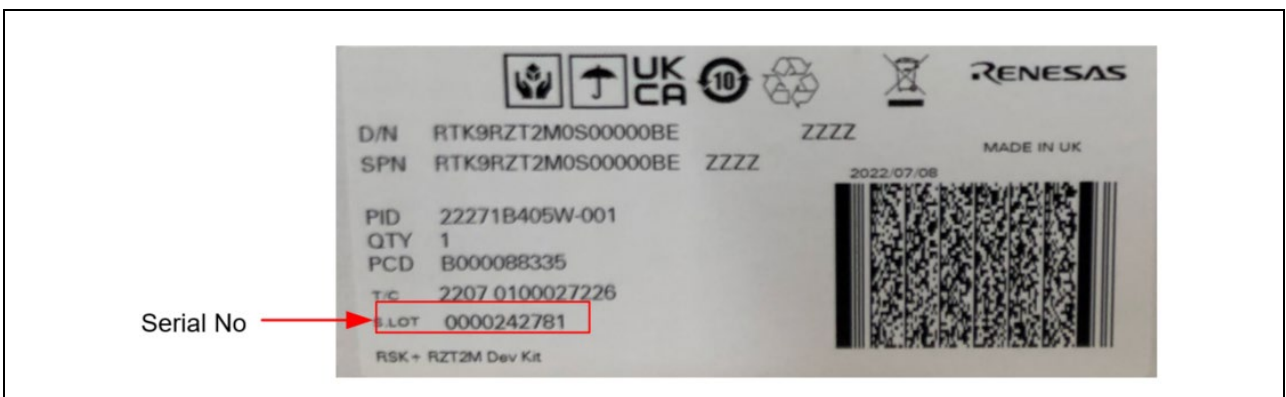


Figure 2: Serial No. location (side of the product box)

1.2 Details

The Renesas Starter Kit+ for RZ/T2M has the RZ/T2M and RL78/G1C connected by UART. The RL78/G1C performs USB/serial conversion to support input/output using terminal software.

During the power on sequence, the RL78/G1C firmware discards ~106 bytes of UART data, and this data is not output to the terminal software.

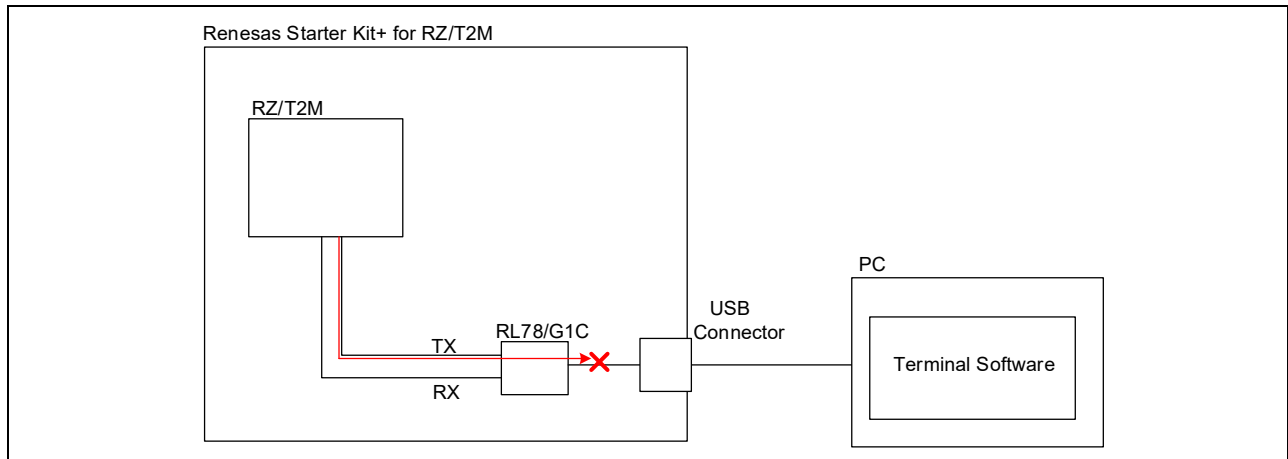


Figure 3: Diagram of USB serial conversion

1.3 Workaround

After turning on the power, please send dummy data of 106 bytes or more from the RZ/T2M to RL78/G1C.

When using SCI boot mode, press the reset switch of the Renesas Starter Kit+ for RZ/T2M three times or more. This will display the message in the terminal software, ready to transfer the loader program.

Revision History

Rev.	Date	Description	
		Page	Summary
1.00	Dec.16.22	-	First edition issued

Renesas Electronics has used reasonable care in preparing the information included in this document, but Renesas Electronics does not warrant that such information is error free. Renesas Electronics assumes no liability whatsoever for any damages incurred by you resulting from errors in or omissions from the information included herein.

The past news contents have been based on information at the time of publication. Now changed or invalid information may be included.

The URLs in the Tool News also may be subject to change or become invalid without prior notice.

Corporate Headquarters

TOYOSU FORESIA, 3-2-24 Toyosu,
Koto-ku, Tokyo 135-0061, Japan
www.renesas.com

Contact Information

For further information on a product, technology, the most up-to-date version of a document, or your nearest sales office, please visit:
www.renesas.com/contact/

Trademarks

Renesas and the Renesas logo are trademarks of Renesas Electronics Corporation. All trademarks and registered trademarks are the property of their respective owners.