

**Exclusively for design purposes! No part of this may be disclosed to a third party without the consent of NEC Electronics**

<b>Concerned Products:</b>	<b>Customer Notification</b>	Date: 17. 05. 2001
		NEC-Electronics (Europe) GmbH LSI & Discrete Business Unit Technical Product Support
μPD780232 μPD78F0233	<b>Bug Report</b>	Source Doc: SBG-T-1920
		Author: D. Zuendorf
Date of initial issue:	May. 17th, 01	Doc. No.: TPS-LE-B-0023
1st revision :		Doc. No.:
2nd revision :		

**Table of Contents**

- (A) Bug List
- (B) Bug Description
- (C) History List

Exclusively for design purposes! No part of this may be disclosed to a third party without the consent of NEC Electronics

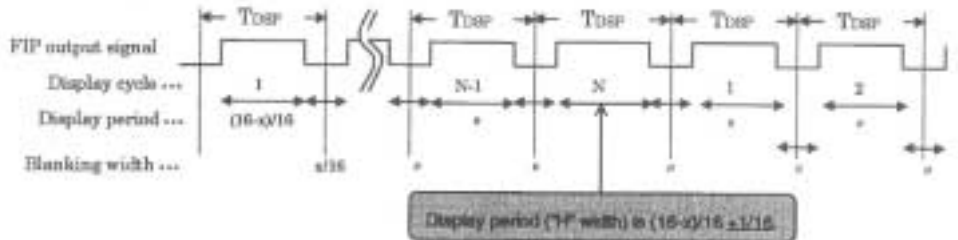
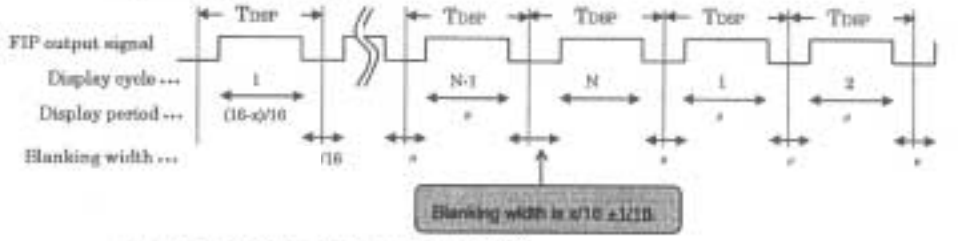
**(A) BUG LIST**

Bug No.	Outline	μPD780232, μPD78F0233
1	Blanking width	M

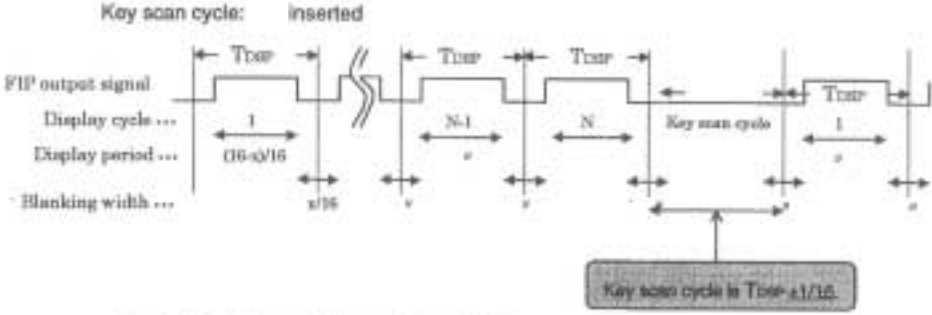
M : Bug (restriction, not corrected by version upgrade)

**Exclusively for design purposes! No part of this may be disclosed to a third party without the consent of NEC Electronics**

**(B) BUG DESCRIPTION**

Bug No.	Outline	Description																	
1	Blanking width	<p><b>Restriction:</b> <input type="checkbox"/></p> <p>The operation varies according to the specifications of the blanking width, number of display pattern, display cycle, key scan cycle insertion as follows:</p> <table border="1" data-bbox="464 577 1428 645"> <tr> <td>Blanking width</td> <td>01/16</td> <td>02/16</td> <td>04/16</td> <td>06/16</td> <td>08/16</td> <td>10/16</td> <td>12/16</td> <td>14/16</td> <td>6</td> </tr> </table> <table border="1" data-bbox="464 651 1428 846"> <tr> <td rowspan="2">Key scan cycle</td> <td>Not inserted</td> <td>The display period of "N" is <math>(16-x)/16 + 1/16</math> (See &lt;1&gt;)</td> <td rowspan="2">The blanking width between "N-1" and "N" is <math>x/16 + 1/16</math> (See &lt;2&gt;)</td> </tr> <tr> <td>Inserted</td> <td colspan="2">The key scan cycle is <math>T_{DSP} + 1/16</math> (See &lt;3&gt;).</td> </tr> </table> <p>Output waveform</p> <p>&lt;1&gt; Condition: Blanking width: 1, 2 Key scan cycle: Not inserted</p>  <p>Remark 1 Display cycle: <math>T_{DSP} - 1</math> (Normal: 16/16)</p> <p>&lt;2&gt; Condition: Blanking width: 4 to 16 Key scan cycle: Not inserted</p>  <p>Remark 1 Display cycle: <math>T_{DSP} - 1</math> (Normal: 16/16)</p>	Blanking width	01/16	02/16	04/16	06/16	08/16	10/16	12/16	14/16	6	Key scan cycle	Not inserted	The display period of "N" is $(16-x)/16 + 1/16$ (See <1>)	The blanking width between "N-1" and "N" is $x/16 + 1/16$ (See <2>)	Inserted	The key scan cycle is $T_{DSP} + 1/16$ (See <3>).	
Blanking width	01/16	02/16	04/16	06/16	08/16	10/16	12/16	14/16	6										
Key scan cycle	Not inserted	The display period of "N" is $(16-x)/16 + 1/16$ (See <1>)	The blanking width between "N-1" and "N" is $x/16 + 1/16$ (See <2>)																
	Inserted	The key scan cycle is $T_{DSP} + 1/16$ (See <3>).																	

Exclusively for design purposes! No part of this may be disclosed to a third party without the consent of NEC Electronics

Bug No.	Outline	Description
1	Blanking width	<p>&lt;3&gt; Condition:</p> <p>Key scan cycle: inserted</p>  <p>Remark 1 Display cycle: <math>T_{DSP} - 1</math> (Normal: 16/16)</p>

Exclusively for design purposes! No part of this may be disclosed to a third party without the consent of NEC Electronics

**(C) History List**

<b>Revision</b>	<b>Part</b>	<b>Item</b>	<b>Modification</b>
	-	-	