

To our customers,

Old Company Name in Catalogs and Other Documents

On April 1st, 2010, NEC Electronics Corporation merged with Renesas Technology Corporation, and Renesas Electronics Corporation took over all the business of both companies. Therefore, although the old company name remains in this document, it is a valid Renesas Electronics document. We appreciate your understanding.

Renesas Electronics website: <http://www.renesas.com>

April 1st, 2010
Renesas Electronics Corporation

Issued by: Renesas Electronics Corporation (<http://www.renesas.com>)

Send any inquiries to <http://www.renesas.com/inquiry>.

HITACHI SEMICONDUCTOR TECHNICAL UPDATE

Classification of Production	Development Environment		No	TN-EML-100A/E	Rev.	1
THEME	Modification of an Error in the User's Manual (ADE-702-287) Packaged with the HS3048BTCM01H and HS3048BTCI01H		Classification of Information	1. Spec change 2. Supplement of Documents 3. Limitation of Use	4. Change of Mask 5. Change of Production Line	
PRODUCT NAME	HS3048BTCM01H and HS3048BTCI01H	Lot No.	Reference Documents	HS3048BTCM01HE Rev1.0 (ADE-702-287)	Effective Date	
		All lots			Permanent	

The H8/3048F-ONE E10T User's Manual HS3048BTCM01HE (ADE-702-287) has a part to be modified as listed below. Please note this modification before you use the E10T emulator.

1. Location: Page 122.
2. Part to be modified: Figure 6.7.
3. Modification: Replace the figure with the one shown in the next page.

Emulator control circuit

User connector

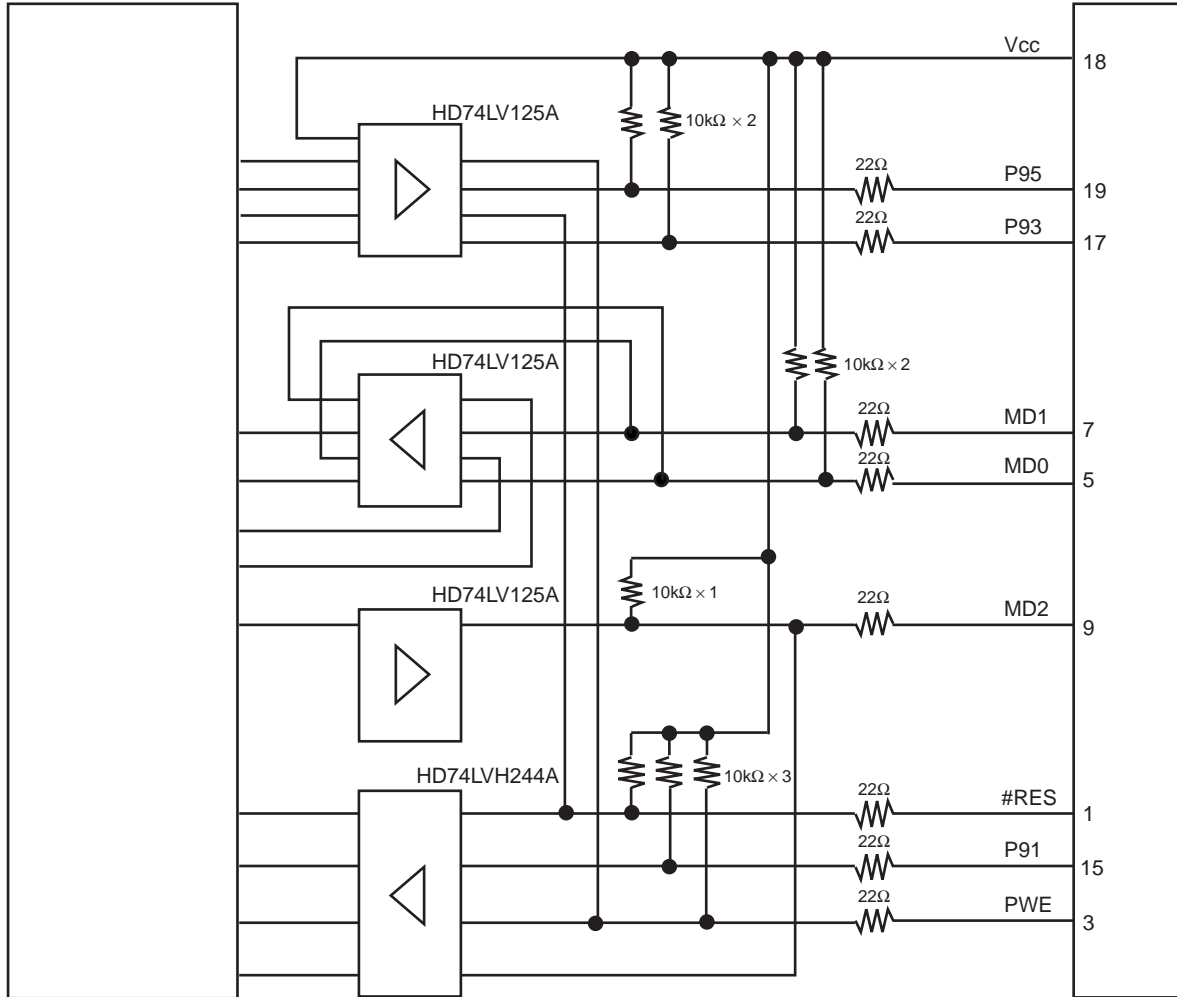


Figure 6.7 Interface Circuit in the Emulator (Reference)