

RENESAS TECHNICAL UPDATE

1753, Shimonumabe, Nakahara-ku, Kawasaki-shi, Kanagawa 211-8668 Japan
 Renesas Electronics Corporation

Product Category	MPU/MCU	Document No.	TN-SH7-A784A/E	Rev.	1.00
Title	Manual Correction of SH7785 HSPI Electrical Characteristics AC Timing		Information Category	Technical Notification	
Applicable Product	SH7785 Group	Lot No.	Reference Document	SH7785 Hardware Manual Rev.1.00 Jan.10.2008 (REJ09B0261-0100)	
		All lots			

The SH7785 HSPI electrical characteristics AC timing is corrected as follows.

[Correction]

Section 32.3.12 HSPI Module Signal Timing (reference document p1608, table 32.17 and figure 32.49)

In the following figure, gray-circled part is corrected, and the HSPI_TX condition and symbol in table are also corrected.

(gray parts are corrected or added and cancellation line parts are removed)

Table 32.17 last item

Item	Symbol	Min.	Max.	Unit	Figure
HSPI_CS lead time	t_eCSLEAD	100	-	ns	32.49

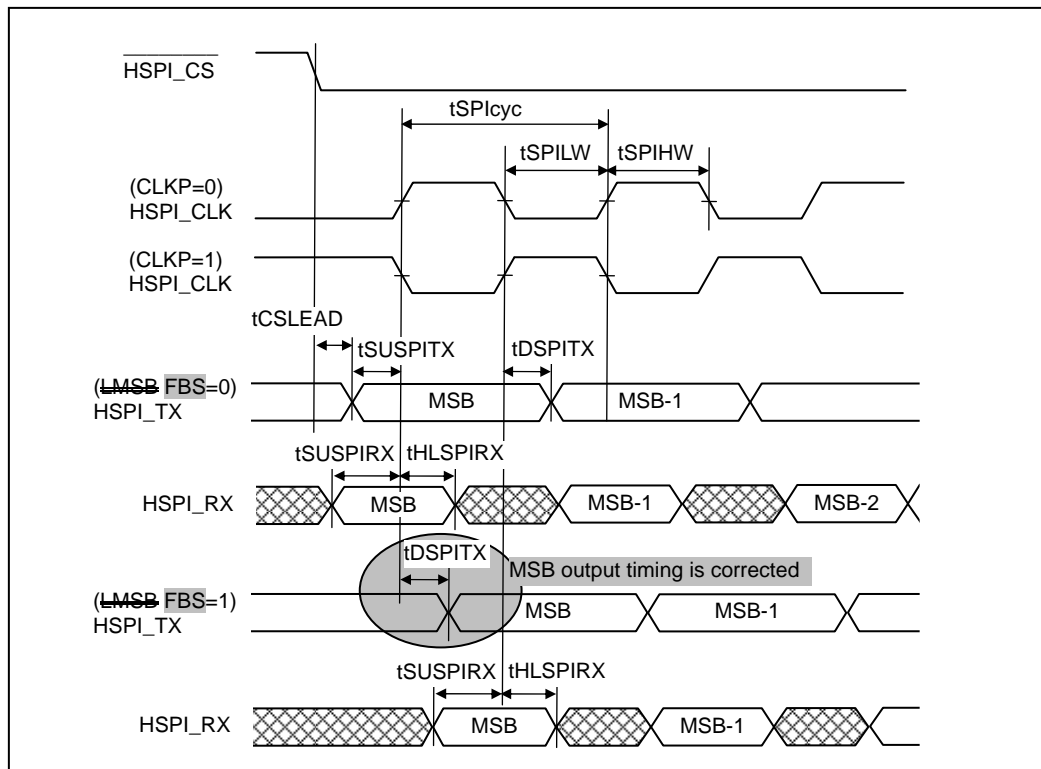


Figure 32.49 HSPI Data Output/Input Timing

- End of Correction -