

# RENESAS TECHNICAL UPDATE

1753, Shimonumabe, Nakahara-ku, Kawasaki-shi, Kanagawa 211-8668 Japan  
 Renesas Electronics Corporation

Product Category	MPU/MCU	Document No.	TN-SH7-A783A/E	Rev.	1.00
Title	Manual Correction of SH7780 HSPI Electrical Characteristics AC Timing		Information Category	Technical Notification	
Applicable Product	SH7780 Group	Lot No.	Reference Document	SH7780 Hardware Manual Rev.1.00 Dec.13.2005 (REJ09B0158-0100)	
		All lots			

The SH7780 HSPI electrical characteristics AC timing is corrected as follows.

[Correction]

Section 33.3.12 HSPI Module Signal Timing (reference document p1200, figure 31.45)

In the following figure, gray-circled part is corrected.

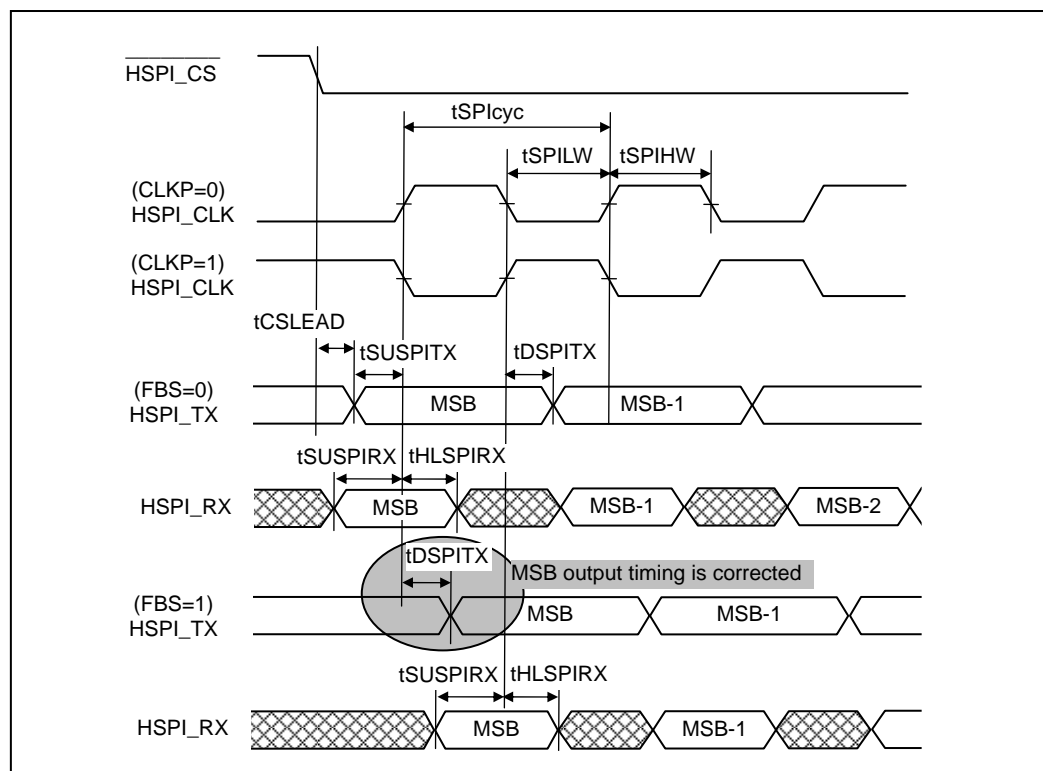


Figure 31.45 HSPI Data Output/Input Timing

- End of Correction -