

To our customers,

---

## Old Company Name in Catalogs and Other Documents

---

On April 1<sup>st</sup>, 2010, NEC Electronics Corporation merged with Renesas Technology Corporation, and Renesas Electronics Corporation took over all the business of both companies. Therefore, although the old company name remains in this document, it is a valid Renesas Electronics document. We appreciate your understanding.

Renesas Electronics website: <http://www.renesas.com>

April 1<sup>st</sup>, 2010  
Renesas Electronics Corporation

Issued by: Renesas Electronics Corporation (<http://www.renesas.com>)

Send any inquiries to <http://www.renesas.com/inquiry>.

# RENESAS TECHNICAL UPDATE

Nippon Bldg., 2-6-2, Ohte-machi, Chiyoda-ku, Tokyo 100-0004, Japan  
Renesas Technology Corp.

Product Category	MPU&MCU		Document No.	TN-H8*-A371A/E	Rev.	1.00
Title	Information of microcomputer product chip tray (CT022) change		Information Category	Technical Notification		
Applicable Product	See Below	Lot No.	Reference Document	See Below		
		All lots				

## 1. Reports

We will report because there is a change of chip tray on the H8/300L Super Low Power series.

This change prevents the chip pasting on the back of the chip tray.

## 2. Content of change

No	Item	[Before Changes] Chip tray Specification	[After Changes] Chip tray Specification
1	Type name	CT022	CT290
2	Depth of pocket *1	0.6±0.1(mm)	0.8±0.05(mm)
3	Back of chip tray	Flat	With Projection
4	Protection seat	Included	Not Included

\*1 The clearance value of the depth of the pocket is not changed.

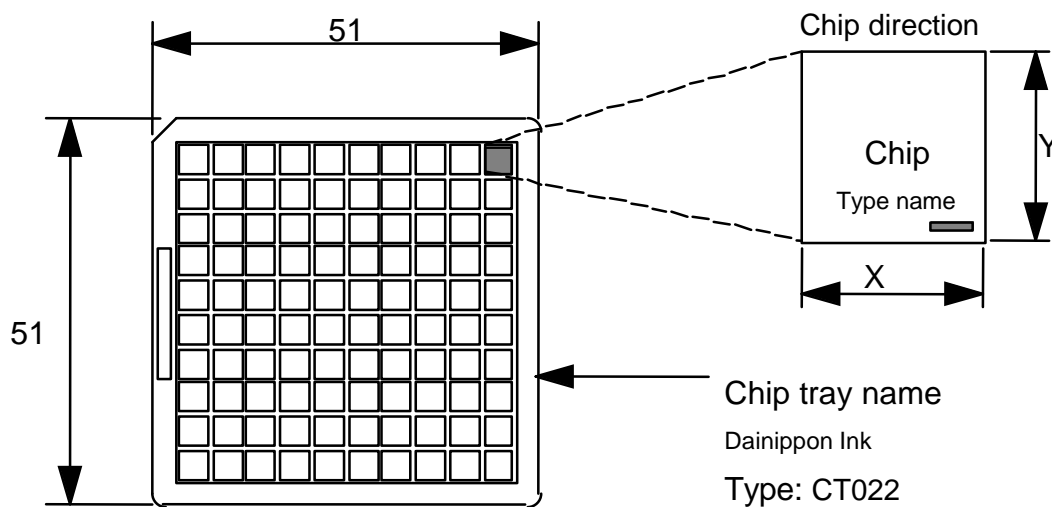
## 3. Change time

Application from production in June, 2007.

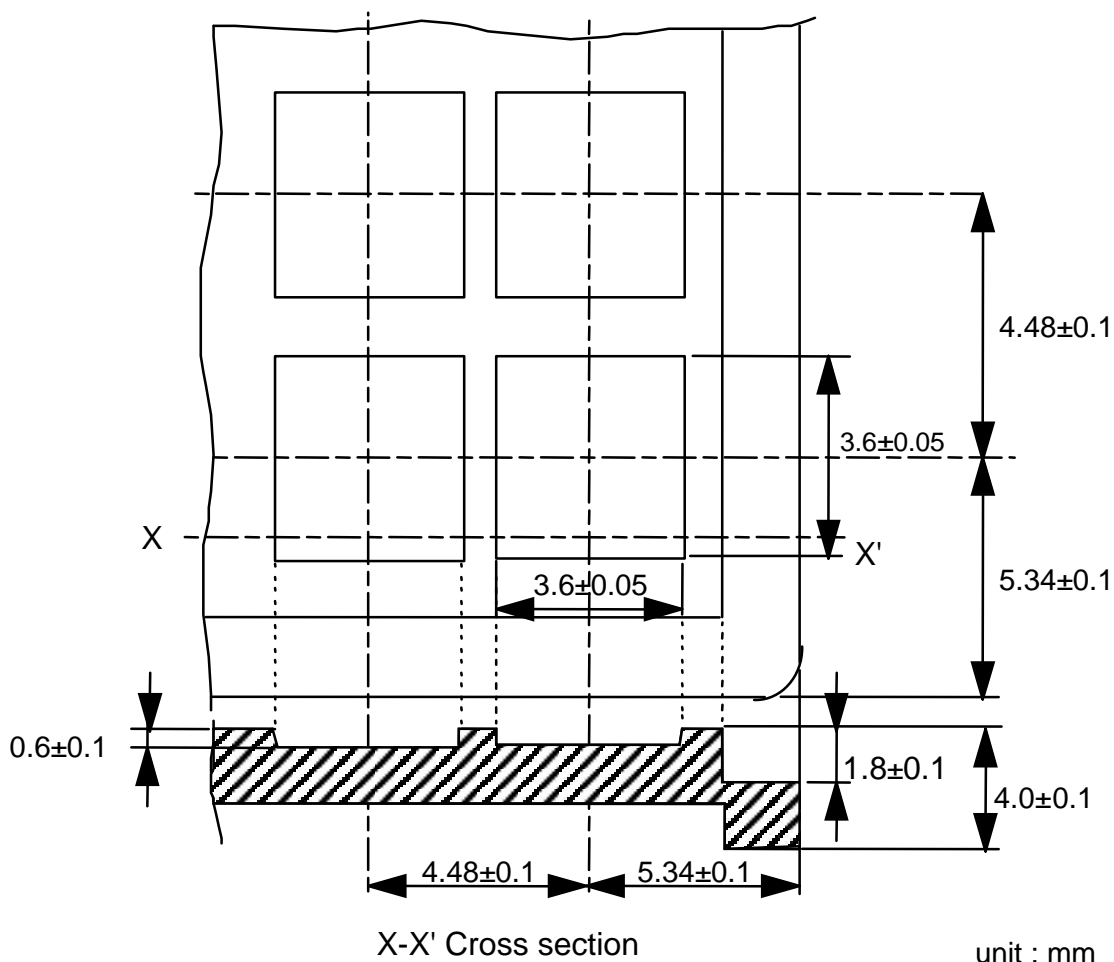
4. Applicable Products and Reference Documents

Applicable Product		Reference Document Title	Rev.	Document No.
Group	Product Code			
H8/38004 Group	HCD64338004	H8/3802, H8/38004, H8/38002S, H8/38104 Group Hardware Manual	Rev.6.00	REJ09B0024-0600
	HCD64338003			
	HCD64338002			
H8/38024S Group	HCD64338024S	H8/38024, H8/38024S, H8/38024R, H8/38124 Group Hardware Manual	Rev.7.00	REJ09B0042-0700
	HCD64338023S			
	HCD64338022S			
	HCD64338021S			
H8/38327 Group	HCD64338327	H8/3827R Group H8/3827S Group H8/38327 Group H8/38427 Group Hardware Manual	Rev.6.00	REJ09B0144-0600
	HCD64338326			
	HCD64338325			
	HCD64338324			
	HCD64338323			
H8/38427 Group	HCD64338427			
	HCD64338426			
	HCD64338425			
	HCD64338424			
	HCD64338423			
	HCD64338422			

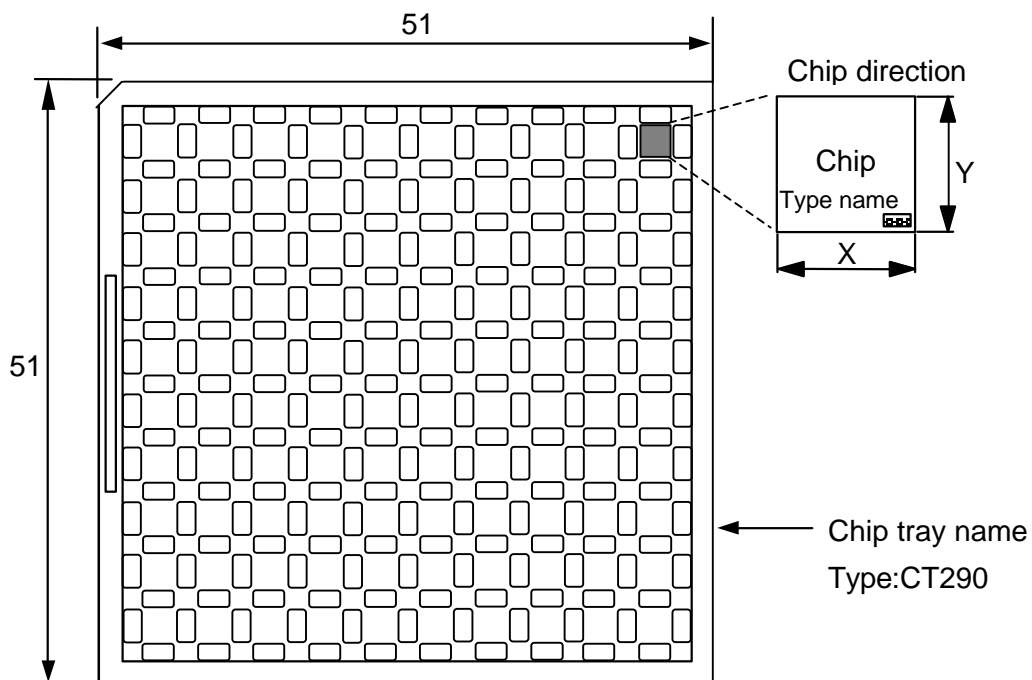
Chip tray Specification (Before it changes)



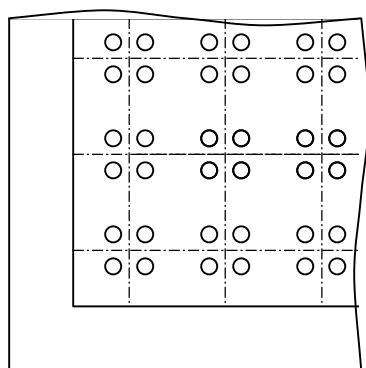
Carved code:TCT036036-060



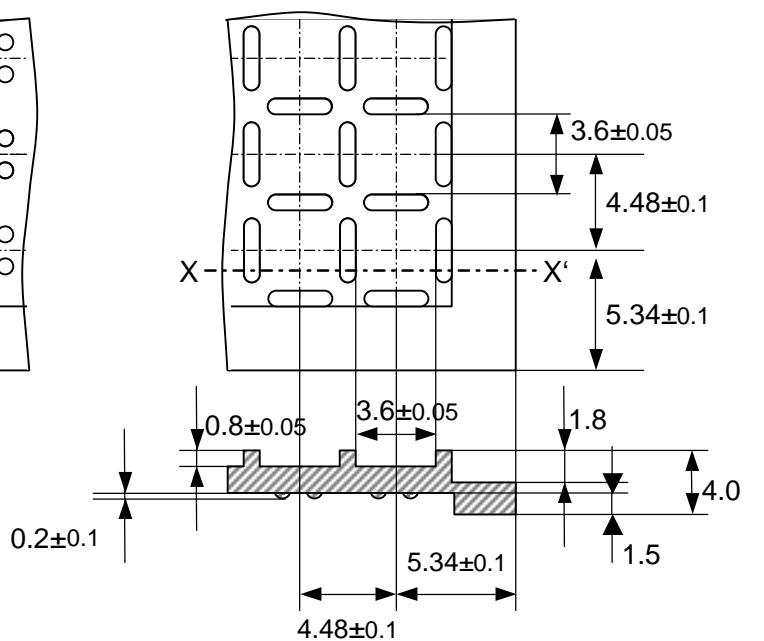
Chip tray Specification [After it changes]



Carved code:TCT036036-060T



Back of chip tray



X-X' Cross section

unit : mm